
Installation Instructions Drawer Dishwasher

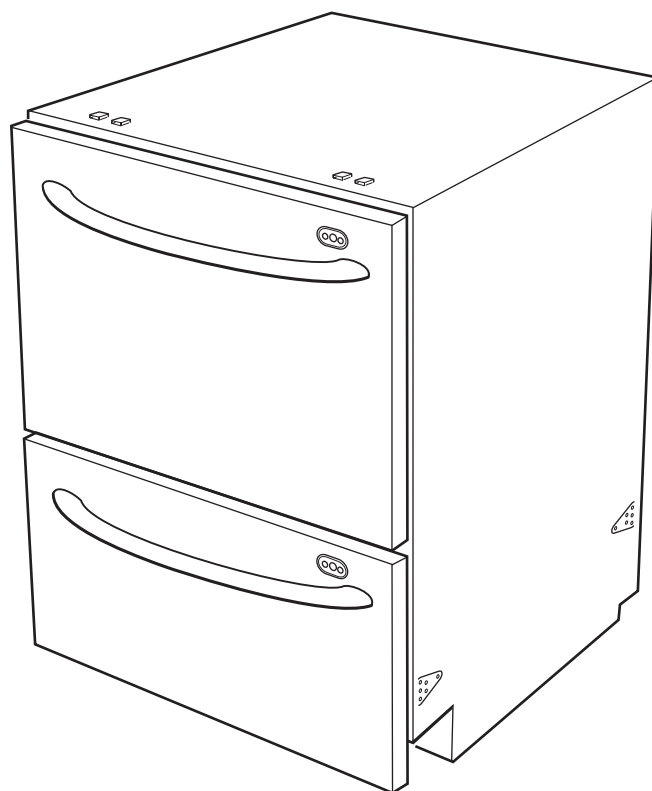


Table of Contents

Drawer Dishwasher Safety	2	Installation Instructions	5
Installation Requirements	3	Prepare Cabinet Opening	5
Tools and Parts	3	Electrical Connection	5
Location Requirements	3	If Installing Flexible Trim Pieces	8
Water Supply Requirements	4	Install Dishwasher	8
Electrical Requirements	4	Install Drain Hose	10
		Connect to Water Supply	11
		Install Drawer Front Panels and Toe Panel	11
		Complete Installation	15

DRAWER DISHWASHER SAFETY

Your safety and the safety of others are very important.

We have provided many important safety messages in this manual and on your appliance. Always read and obey all safety messages.



This is the safety alert symbol.

This symbol alerts you to potential hazards that can kill or hurt you and others.

All safety messages will follow the safety alert symbol and either the word "DANGER" or "WARNING."

These words mean:

! DANGER

You can be killed or seriously injured if you don't immediately follow instructions.

! WARNING

You can be killed or seriously injured if you don't follow instructions.

All safety messages will tell you what the potential hazard is, tell you how to reduce the chance of injury, and tell you what can happen if the instructions are not followed.

INSTALLATION REQUIREMENTS

Tools and Parts

Gather the required tools and parts before starting installation. Read and follow the instructions provided with any tools listed here.

Tools needed:

- Utility knife
- Needle-nose pliers
- Tape measure
- Flat-bladed screwdriver
- #2 Phillips screwdriver
- Side cutting pliers
- Pencil
- Sandpaper
- Level
- Wood cutting board
- Adjustable wrench that opens to 1 1/8" (29 mm)
- 7 mm socket wrench
- 5 mm socket wrench
- 5 mm open end or box end wrench
- Electric or hand drill
- 1 1/2" hole saw
- Valve (sized to fit hot water supply line) with 3/8" male compression fitting
- Protective floor covering

Parts supplied:

Located in bottom drawer:

- 2 flexible trim pieces (for sides)
- 1 flexible trim piece (for top)
- Edge protection
- Hose clamp, screw type
- Washer
- 2 installation brackets (top)
- Drain hose support
- Drain hose connector
- 2 hose clamps, wire type
- 24 #8 Phillips head wood screws
- Toe panel
- Custom toe panel mounting bracket (on some models)
- Moisture protection tape

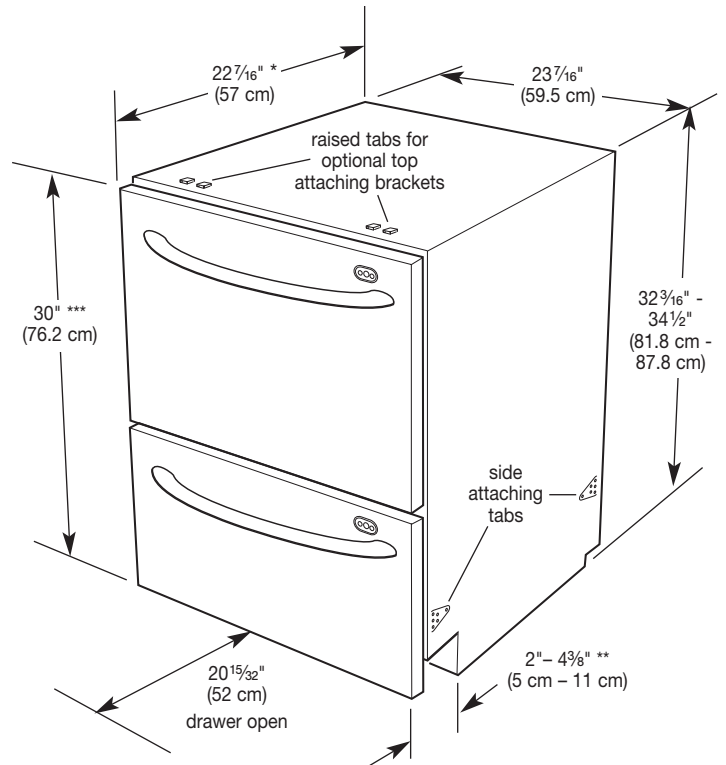
Location Requirements

IMPORTANT: Observe all governing codes and ordinances. Failure to meet codes and ordinances could lead to fire or electrical shock.

Proper installation is your responsibility:

- Contact a qualified installer to ensure that the dishwasher is installed to meet all electrical and plumbing national and local codes and ordinances.
- Install the dishwasher as specified in these instructions.
- Have everything you need to properly install dishwasher.
- Protect dishwasher and water lines leading to dishwasher against freezing. Damage from freezing is not covered by the warranty.
- This dishwasher is manufactured for indoor use only.
- Install and level dishwasher on a floor that will hold the weight, and in an area suitable for its size and use.

Product dimensions



* If custom wood panels are to be used, the product depth is specified with an 1/16" (18 mm) door panel thickness.

** Toe panel depth: Factory supplied, 2-4 3/8" (5 - 11 cm); Custom wood, 5" (12.7 cm) less the toe panel thickness for integrated. Minimum panel thickness using the supplied screws is 3/8" (9 mm).

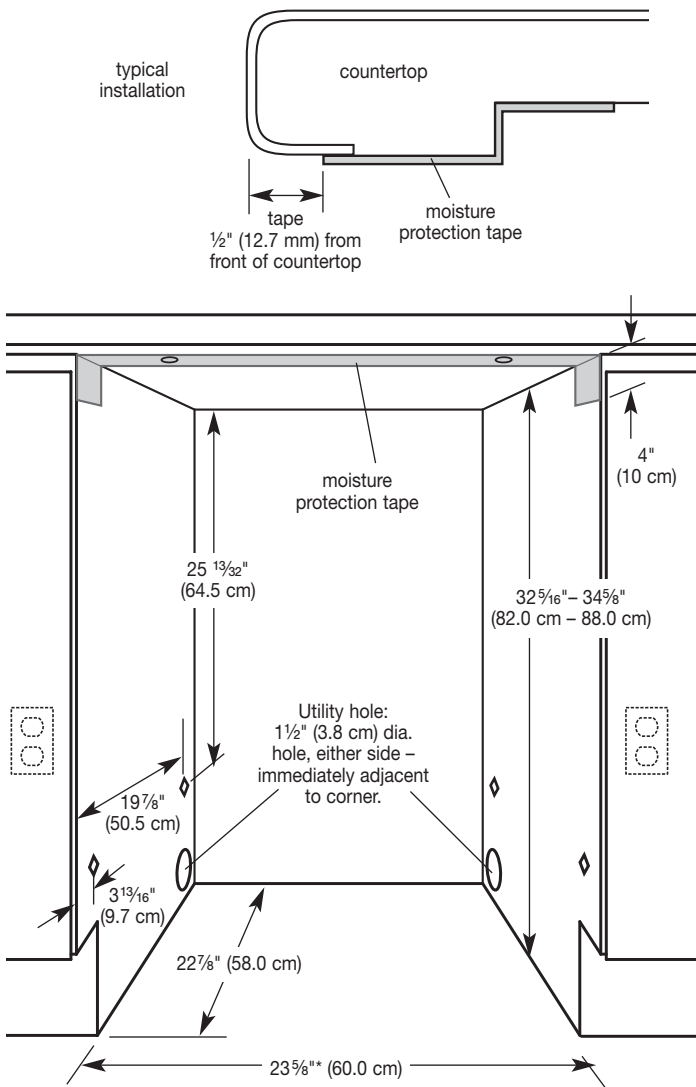
*** Door front height: Factory supplied - 30" (76.2 cm); Custom wood - 28 1/4" (71.8 cm) minimum.

NOTE: Product shown with front panels for dimension purposes.

Greatest length from product exit point to hookup (does not include allowance for drain loop):

- Drain hose 88 9/16" (2250 mm): Extension kit available - part no. 8194400
- Inlet hose 68 7/8" (1750 mm)
- Power cord 44" (1125 mm)

Cabinet dimensions/requirements



◇ These marks indicate the side mounting tab screw locations.

- Build the custom cabinet to the size and specifications shown, with a minimum thickness of cabinet/cavity sides of $\frac{5}{8}$ " (1.6 cm).
- A 3 prong grounded outlet must be installed within 6" (15.2 cm) to 18" (45.7 cm) to either side of the utility hole in the cabinet side wall. The power outlet must be accessible after installation.
- It is recommended that wood cabinetry surrounding the dishwasher be sealed with an oil-based paint or moisture-proof polyurethane to prevent possible damage from humidity.
- A utility hole that will be used to route the power supply cord and hoses must be located as shown. If the hole is not located as shown, the hoses will prevent the dishwasher from being pushed back all the way into the cavity. Make sure the edges of the utility hole are smooth or covered. If the utility hole is through a metal cabinet, the hole must be protected with the edge protector provided.

IMPORTANT: Custom wood door panel, if used, may be wider than the dishwasher to match surrounding cabinets. The $23\frac{5}{8}$ " (60.0 cm) must be increased so that there is a $\frac{3}{32}$ " (2.5 mm) clearance between the cabinet side and panel edge.

- For corner installation, there must be a $\frac{1}{2}$ " (12.7 mm) space between the adjacent cabinet doors (i.e. door knobs) and open dishwasher drawer.

Water Supply Requirements

For dishwasher:

- Hot water line with 4.3-145 psi (30-1000 kPa) water pressure.
- 120°F (48.8°C) water at dishwasher.
- An easily accessible valve with $\frac{3}{8}$ " compression fitting must be installed in the hot water supply line.

Electrical Requirements

⚠ WARNING



Electrical Shock Hazard

Plug into a grounded 3 prong outlet.

Do not remove ground prong.

Do not use an adapter.

Do not use an extension cord.

Failure to follow these instructions can result in death, fire, or electrical shock.

GROUNDING INSTRUCTIONS

- **For a grounded, cord-connected dishwasher:**

The dishwasher must be grounded. In the event of a malfunction or breakdown, grounding will reduce the risk of electric shock by providing a path of least resistance for electric current. The dishwasher is equipped with a cord having an equipment-ground conductor and a grounding plug. The plug must be plugged into an appropriate outlet that is installed and grounded in accordance with all local codes and ordinances.

WARNING: Improper connection of the equipment-grounding conductor can result in a risk of electric shock. Check with a qualified electrician or service representative if you are in doubt whether the dishwasher is properly grounded. Do not modify the plug provided with the dishwasher; if it will not fit the outlet, have a proper outlet installed by a qualified electrician.

- **For a permanently connected dishwasher:**

The dishwasher must be connected to a grounded metal, permanent wiring system, or an equipment-grounding conductor must be run with the circuit conductors and connected to the equipment-grounding terminal or lead on the dishwasher.

SAVE THESE INSTRUCTIONS

A 120-volt, 60 Hz, AC-only, 15 amp fused electrical supply is required. (Circuit breaker or time-delay fuse is recommended.) It is recommended that a separate circuit serving only this appliance be provided.

Garbage Disposer:

If you plan to install a garbage disposer, an additional separate 120-volt, 60 Hz, AC-only, 15 or 20 amp fused electrical supply is required.

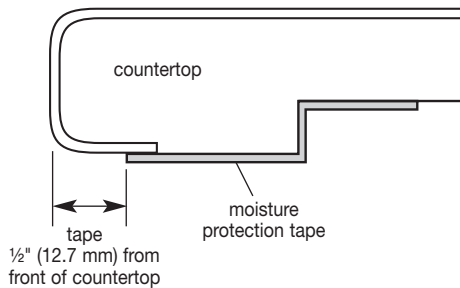
Recommended ground method

This appliance must be grounded. This appliance is equipped with a power supply cord having 3 prong ground plug. To minimize possible shock hazard, the cord must be plugged into a mating prong ground-type outlet, grounded in accordance with local codes and ordinances.

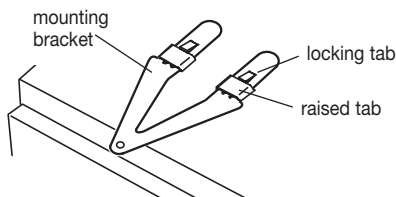
INSTALLATION INSTRUCTIONS

Prepare Cabinet Opening

1. Prepare the cabinet opening by applying self-adhesive moisture protection tape to the dry dust-free underside of the countertop.



2. Turn off water supply.
3. Decide which attaching tabs to use to secure the dishwasher. The four side attaching tabs are recommended.
4. If the countertop material permits and the optional top attaching brackets will be used, install them now. Slide the brackets under the raised tabs. Using the flat side of the side cutting pliers, lightly tap the brackets into place. Make sure the locking tabs on the brackets are completely passed through the raised tabs on the dishwasher.



5. If using the factory-installed power cable and plug, go to "Electrical connection" section, Option: 1: Power Supply Cord Method. If direct wiring the dishwasher, go to "Electrical connection" section, Option: 2: Direct Wiring Method.

Electrical Connection

Option 1: Power Supply Cord Method

⚠ WARNING



Tip Over Hazard

Do not use dishwasher drawer until inside cabinet opening.

Doing so can result in serious injury or cuts.

⚠ WARNING

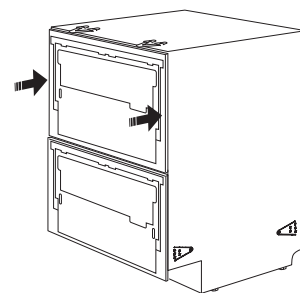
Excessive Weight Hazard

Use two or more people to move and install dishwasher.

Failure to do so can result in back or other injury.

1. Place cardboard or other protective covering on the floor in front of cabinet opening. Place the dishwasher on covering.
2. Begin to route the hoses and power supply cord through the utility hole in the cabinet.
3. Push dishwasher part way into the opening.

IMPORTANT: Push against the outside edges of drawers as shown. Do not push against the center of the drawers.



NOTE: Model shown without front panels. Some models are shipped with front panels installed.

- As the dishwasher is being pushed into the opening, slowly pull the inlet hose, drain hoses and power supply cord through the utility hole.
- Remove the strap/tape from upper drawer. Go to "If Installing Flexible Trim Pieces" section.

Option 2: Direct Wiring Method

⚠ WARNING



Electrical Shock Hazard

Disconnect electrical power at the fuse box or circuit breaker box before installing dishwasher.

Failure to do so can result in death or electrical shock.

⚠ WARNING

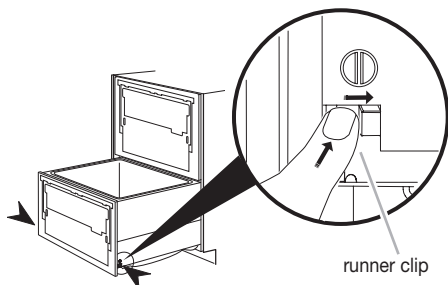
Excessive Weight Hazard

Use two or more people to move and install dishwasher.

Failure to do so can result in back or other injury.

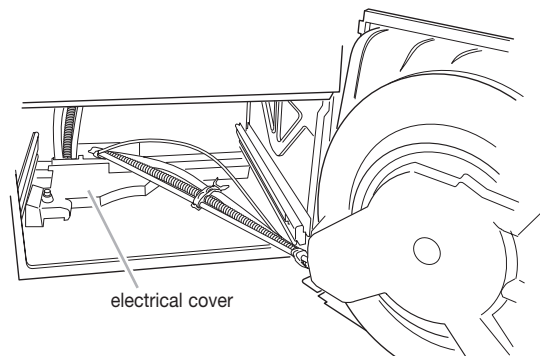
- Place cardboard or other protective covering on the floor in front of cabinet opening. Place the dishwasher on covering.
- Disconnect power.
- Open the bottom drawer.
- Press in the right-hand runner clip and push it back about 6" (15.2 cm). Repeat with the left-hand runner clip.

NOTE: When removing the drawer there is limited range of movement due to the attached water hoses.

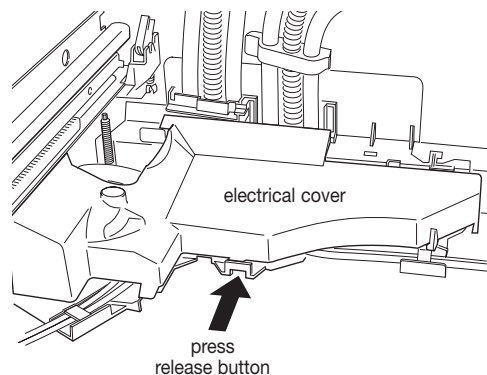


- Lift the right edge of the drawer off its runner. Slide that runner back into the dishwasher. Lift the drawer completely off the left-hand runner.

- Rotate drawer to the right onto its side and place on the protective cover.

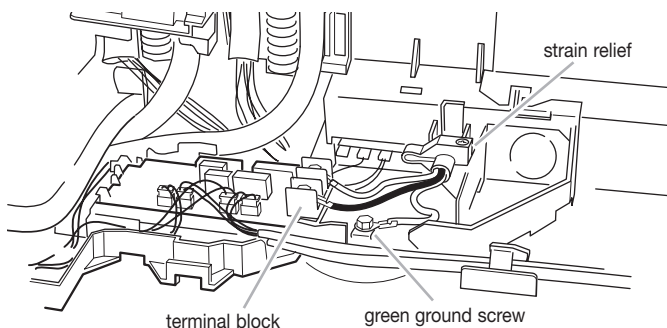


- Slide the left-hand runner back into the dishwasher.
- The electrical cover is located in the back left corner. Use a flat blade screwdriver to press the release button. Slide the cover to the right and then pull up.



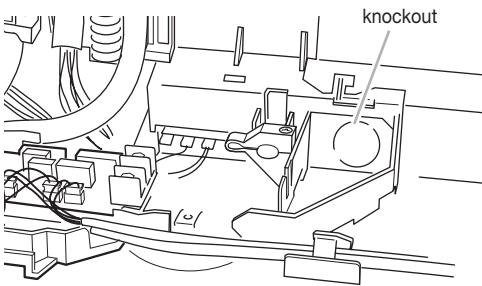
Remove factory-installed power cord.

- Disconnect the black and white wires of the power cord from the terminal block.

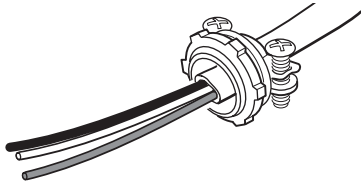


- Use a 7 mm socket wrench to remove the green ground screw. Remove the green ground wire.
- Use a Phillips screwdriver to remove the strain relief screw. Open the strain relief.
- Pull the power supply cord off the dishwasher through the back of the dishwasher.
- Close the strain relief and replace screw so it does not interfere with the electrical cover.

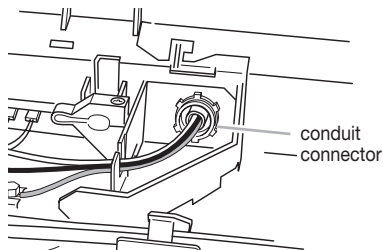
6. Remove the house wiring knockout.



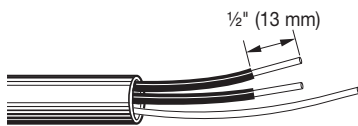
7. Run the house wiring through the conduit connector (not supplied) and into the dishwasher through the knockout opening.



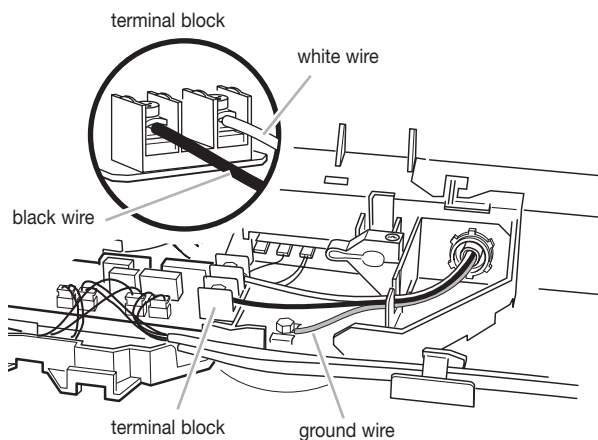
8. Secure the conduit connector in the knockout opening.



9. From the house wiring, strip $\frac{1}{2}$ " (13 mm) of insulation off of each wire.



10. Insert the black supply wire and the white neutral wire into the appropriate wire clamp on the terminal block. Securely tighten the clamps.



⚠ WARNING

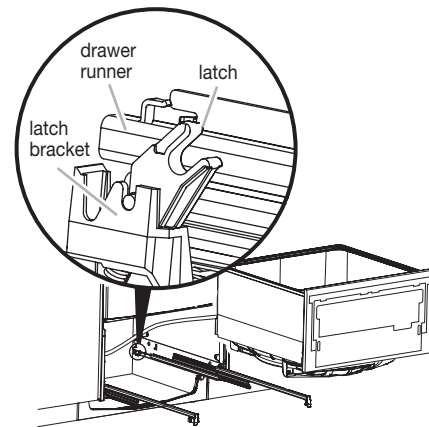


Electrical Shock Hazard

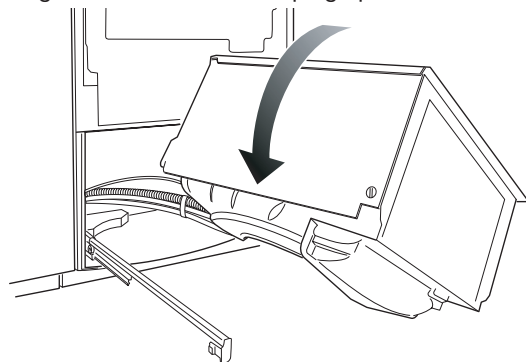
Connect ground wire to green ground screw.

Failure to do so can result in death or electrical shock.

11. Place the ground wire under the green ground screw. Use a 7 mm socket wrench to securely tighten the green ground screw.
12. Tighten the conduit connector. Replace electrical cover.
13. Pull one of the bottom drawer runners all the way out. Make sure the latches on the back of the drawer runner are facing forward.

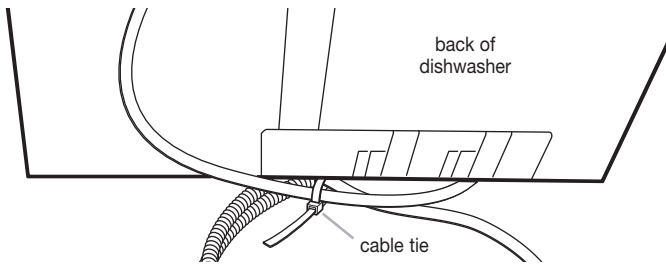


14. If the bottom drawer was rotated, rotate the drawer to unwind the hoses and then put the drawer on the extended runner, making sure the hoses are looping upward.



15. While holding on to the drawer, fully extend the remaining drawer runner. Follow the procedure in step 13 to place the drawer on the remaining runner.
16. Make sure both runner clips have snapped into place. If they have not, pull the runner clips forward until they do.
17. Close the bottom drawer.

- Use the side cutting pliers to cut the cable tie securing the hoses and power supply cord to the back of the dishwasher.



- Completely remove the power supply cord and save it, in case a power cord installation is needed in the future.

⚠️ WARNING



Tip Over Hazard

Do not use dishwasher drawer until inside cabinet opening.

Doing so can result in serious injury or cuts.

⚠️ WARNING

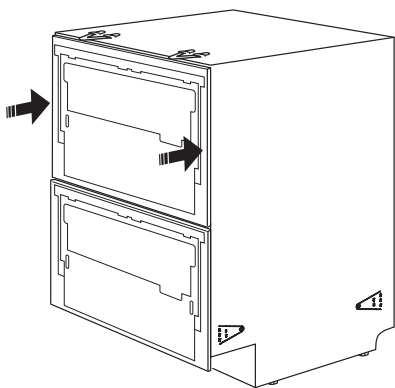
Excessive Weight Hazard

Use two or more people to move and install dishwasher.

Failure to do so can result in back or other injury.

- Place cardboard or other protective covering on the floor in front of cabinet opening. Place the dishwasher on covering.
- Begin to route the hoses through the utility hole in the cabinet.

IMPORTANT: Push against the outside edges of drawers as shown. Do not push against the center of the drawers.
- Push dishwasher part way into the opening.

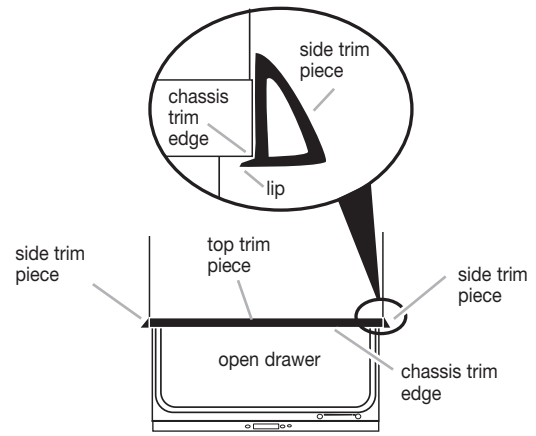


- As the dishwasher is being pushed into the opening, slowly pull the inlet hose and drain hoses through the utility hole. Let the house wiring gather behind the dishwasher.
- Remove the strap/tape from upper drawer.

If Installing Flexible Trim Pieces

If the cabinet opening is 24" wide x 34-1/2" high (61.0 cm x 87.6 cm), flexible trim pieces can be attached along the top and sides of the dishwasher. Top and side trim pieces are different lengths.

- Open the drawers to expose the chassis trim.
- Center the flexible trim pieces.

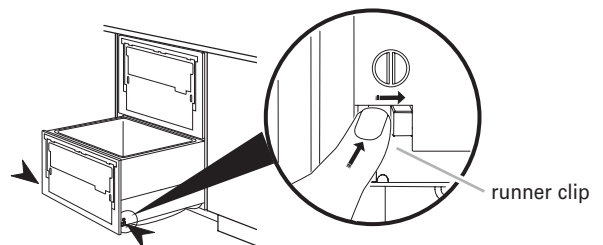


- If using the optional top attaching brackets, place the trim pieces under the attaching brackets.
- Remove trim pieces backing paper to expose the adhesive.
- Place the trim pieces on the trim and press.
- Finish pushing dishwasher into opening.

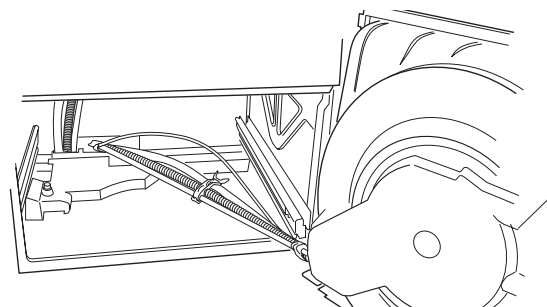
Install Dishwasher

- Leave protective cover on floor.
- Open the bottom drawer.
- Press in the right-hand runner clip and push it back about 6" (15.2 cm). Repeat with the left-hand runner clip.

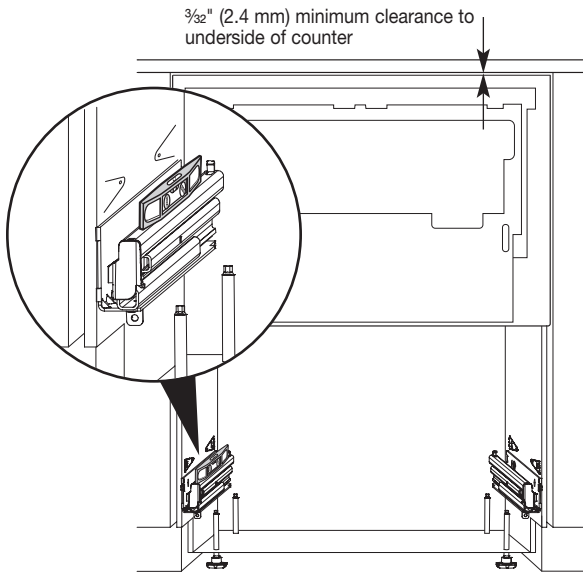
NOTE: When removing the drawer there is limited range of movement due to the attached water hoses.



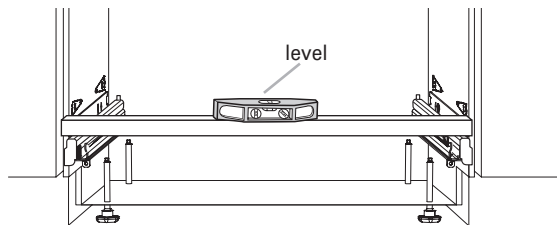
- Lift the right edge of the drawer off its runner. Slide that runner back into the dishwasher.
- Lift the drawer completely off the left-hand runner.
- Rotate the drawer to the right onto its side and place on the protective cover.



7. Slide the left-hand runner back into the dishwasher.
 8. Reach inside the dishwasher to adjust the feet using a 5 mm open end, box end, or socket (if space permits) wrench.
- Adjust for cabinet height and level. Place a level on the drawer runners. Level the dishwasher to within $\frac{3}{32}$ " (2.4 mm) from front to back.



9. Place a level across the drawer runners. Level the dishwasher to within $\frac{3}{32}$ " (2.4 mm) from side to side.

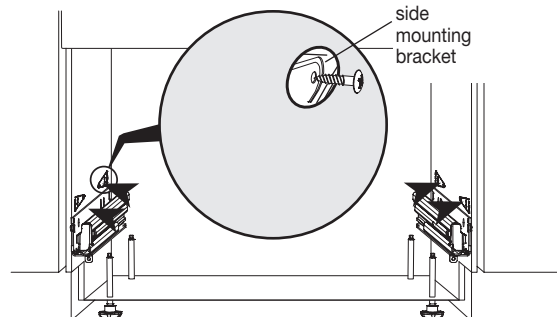


Choose attachment option

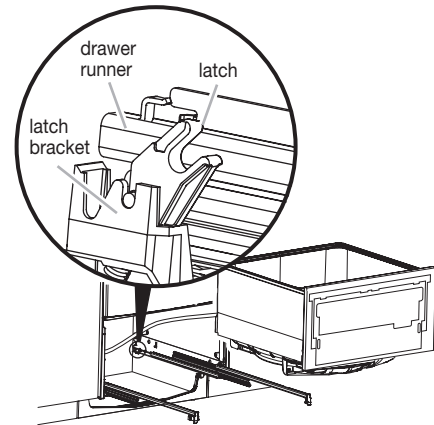
Option 1: Side attachment

1. The dishwasher side attaching tabs are accessed through holes in the sound insulation.

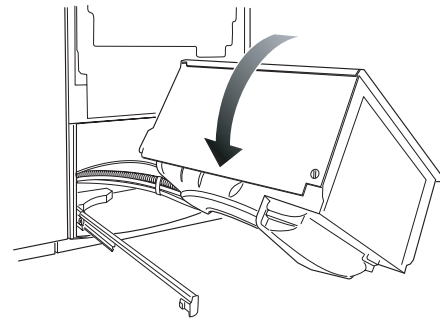
IMPORTANT: For best installation, use all four attaching tabs. Add spacers to side of cabinet if needed to attach screws. Refer to "Cabinet dimensions/requirements" section.
2. Secure the attaching tabs to the cabinet using #8 Phillips head screws.



3. Pull one of the bottom drawer runners all the way out. Make sure the latches on the back of the drawer runner are facing forward.



4. If the bottom drawer was rotated, rotate the drawer to unwind the hoses and then put the drawer on the extended runner, making sure the hoses are looping upward.

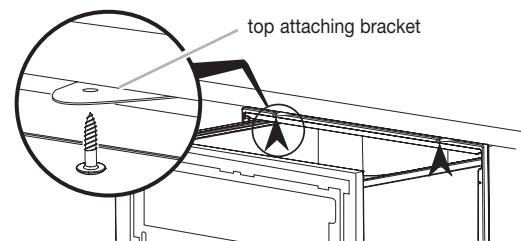


5. While holding on to the drawer, fully extend the remaining drawer runner. Follow the procedure in step 13 to place the drawer on the remaining runner.
6. Make sure both runner clips have snapped into place. If they have not, pull the runner clips forward until they do.
7. Close the bottom drawer.

Option 2: Top attachment

1. If the top attaching brackets are used, open the top drawer slightly.
2. Screw the top attaching brackets to the underside of the counter with two #8 Phillips head screws.

IMPORTANT: The top attaching brackets can accommodate a maximum $\frac{3}{4}$ " (19 mm) vertical gap.



3. Close the top drawer.

NOTE: It is recommended that the side mount attachments also be used for a more secure installation.

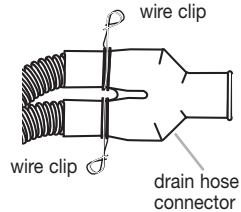
Install the Drain Hose

NOTE: Drain hoses will need to be separated to satisfy kosher requirements. Confirm acceptability with your local Rabbi in respect of kosher installations.

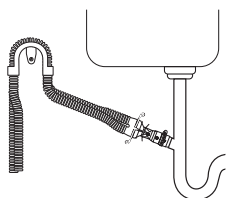
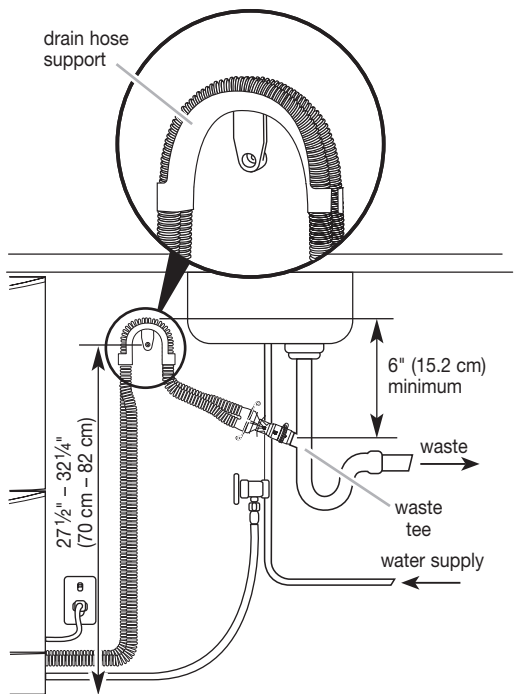
A drain hose extension kit, part no. 8194400, will extend the drain hose to a length of up to 141 3/4" (360.05 cm). Do not extend beyond this length. The maximum drain height is 37 1/2" (95.25 cm).

Option 1: Sink drain waste tee connection

1. Route the drain hoses as shown and press the hoses into the drain hose support.
2. Decide if the drain hoses need to be trimmed. If they do, trim them.
3. Slip a wire clip over each drain hose. Push the hoses into the drain hose connector firmly, 5 clicks.
4. Position the wire clips between the two positioning ribs on the drain hose connector.
5. Attach the drain hose connector to the waste tee using the supplied hose clamp.
6. Attach the drain hose support bracket to the cabinet with a #8 Phillips head screw at the height shown below.



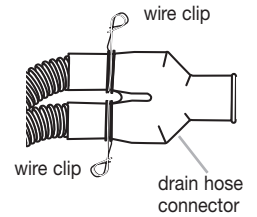
IMPORTANT: The drain hose connector must not support the weight of excess hoses. A drain loop must be provided as shown in the Installation Instructions. Keep hoses as fully extended as possible to prevent sagging. Any excess length of hose should be kept on the dishwasher side of the drain loop.



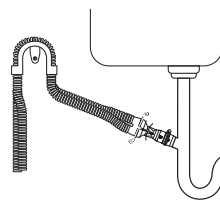
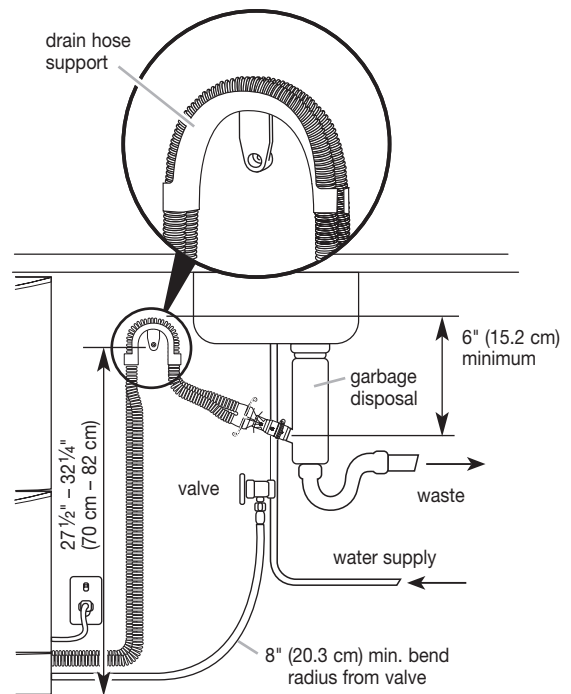
Keep drain hose straight as shown.

Option 2: Garbage disposal connection

1. Route the drain hoses as shown and press the hoses into the drain hose support.
2. Decide if the drain hoses need to be trimmed. If they do, trim them.
3. Slip a wire clip over each drain hose. Push the hoses into the drain hose connector firmly, 5 clicks.
4. Position the wire clips between the two positioning ribs on the drain hose connector.
5. Attach the drain hose connector to the garbage disposal using the supplied hose clamp.
6. Attach the drain hose support bracket to the cabinet with a #8 Phillips head screw at the height shown below.



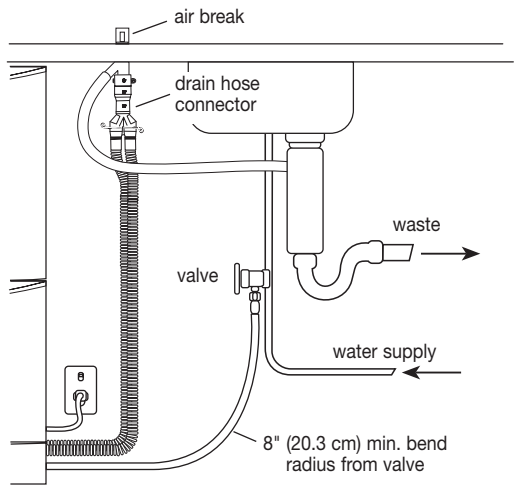
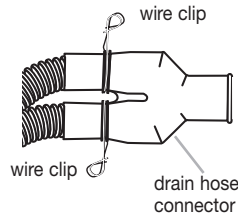
IMPORTANT: The drain hose connector must not support the weight of excess hoses. A drain loop must be provided as shown in the Installation Instructions. Keep hoses as fully extended as possible to prevent sagging. Any excess length of hose should be kept on the dishwasher side of the drain loop.



Keep drain hose straight as shown.

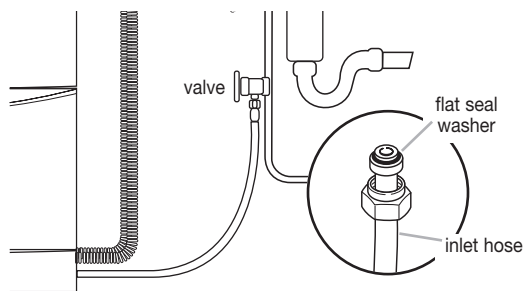
Option 3: Air break connection

1. Route the drain hoses as shown.
2. Decide if the drain hoses need to be trimmed. If they do, trim them.
3. Slip a wire clip over each drain hose. Push the hoses into the drain hose connector firmly, 5 clicks.
4. Position the wire clips between the two positioning ribs on the drain hose connector.
5. Attach the drain hose connector to the air break using the supplied hose clamp.



Connect to Water Supply

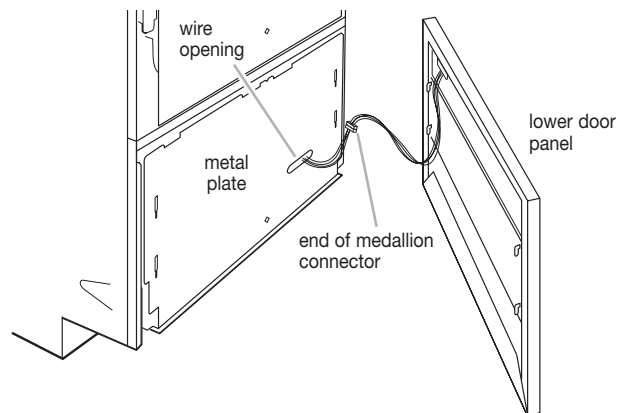
1. Install the flat seal washer on the end of the inlet hose. Connect the inlet hose to the water supply valve. Tighten securely.
2. Turn the water valve on and check for any leaks.



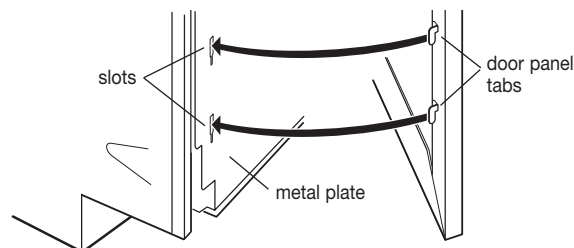
Install Drawer Door Panels and Toe Panel

Option 1: Install standard door panels (on some models)

1. Remove door panels from box and discard all shipping material.
2. On the shorter door panel (lower drawer) and on the metal plate, remove the tape securing the connector and wires. Discard tape.
3. Connect the end of the medallion connector to the connector from the lower drawer.



4. Gently feed the wires and connectors into the metal plate wire opening.
5. Line up door panel tabs to slots in metal plate. Do not pull the connector from wire opening. (Pull the drawer out slightly to aid in installing the panel.)



6. Push the door panel down to lock in place.
7. Repeat steps 2–6 for the top door panel.
8. When installed properly, top panel should be even with top of dishwasher with a $\frac{3}{8}$ " (9.5 mm) gap between the top and bottom panel.

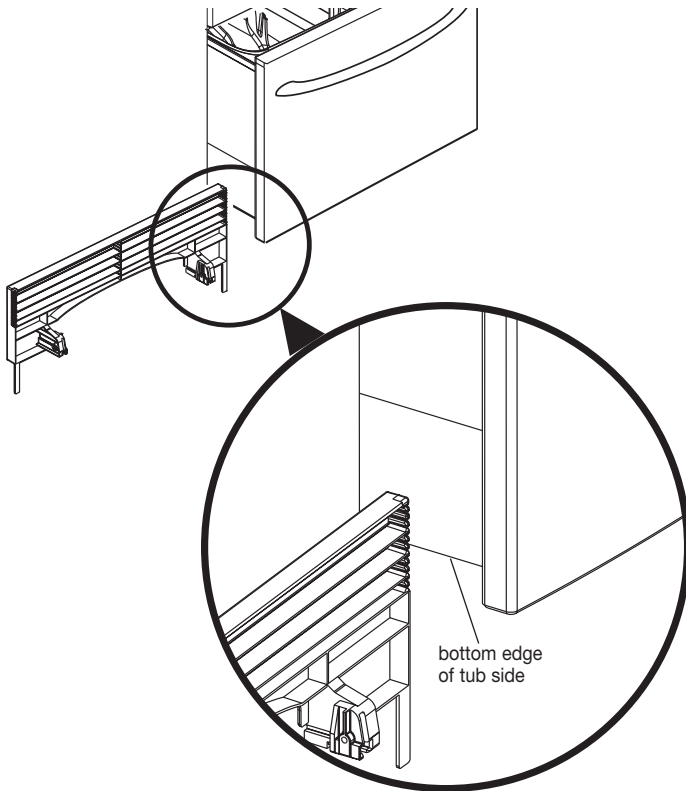
3. Open top drawer. Remove the packing tape from the front and rear of dish rack.
4. Close drawer.
5. Open bottom drawer. Remove the packing tape from the front and rear of dish rack.
6. Close drawer.

Option 1: Install standard toe panel

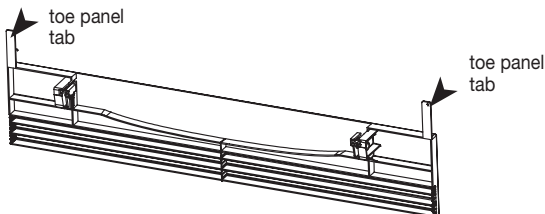
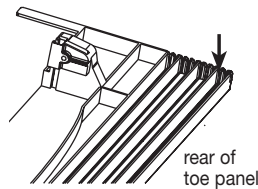
NOTES: Depending on countertop height, you may not have to trim the toe panel.

Rugs placed in front of dishwasher could interfere with toe panel. Clearance between floor and toe panel may need to include the rug thickness.

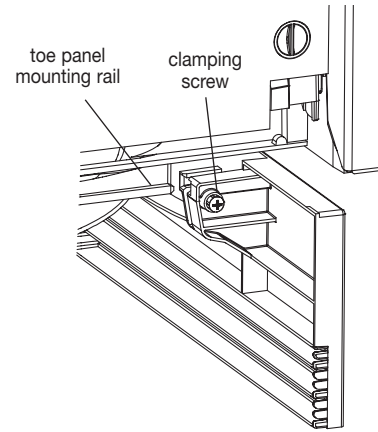
1. Partially open the bottom drawer.
2. Turn the toe panel upside down and hold vertically against the bottom edge of the tub side (not the front).
3. On the toe panel, mark where the tub's bottom edge is.



4. On a stable surface, place toe panel on a wooden cutting board and pick the closest groove to the mark. If the mark is between two grooves, choose the groove that makes the toe panel the shortest.
5. At the selected groove, use a utility knife and cut the vertical rib the length of the toe panel until entire piece is removed.
6. Snap off the toe panel tabs.

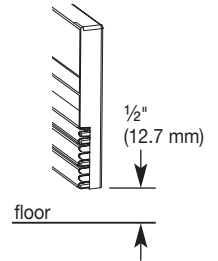


7. Remove any rough edges by sanding smooth.
8. Partially open bottom drawer. Position toe panel behind door and slide onto the underside of tub.



9. Close the drawer. Check that there is $\frac{1}{2}$ " (12.7 mm) minimum clearance between the bottom edge of the toe panel and the floor.

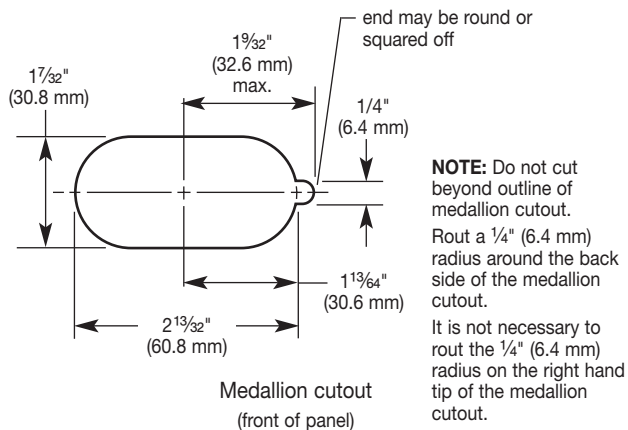
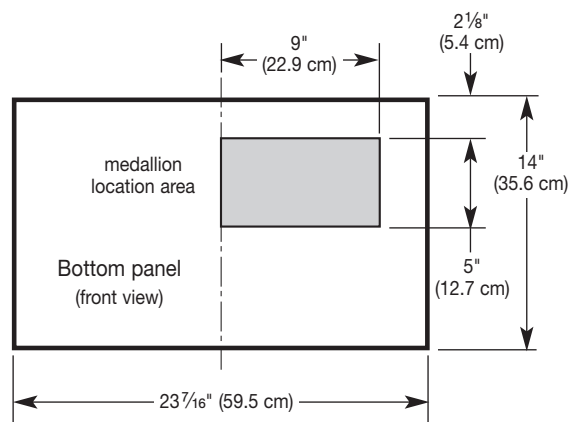
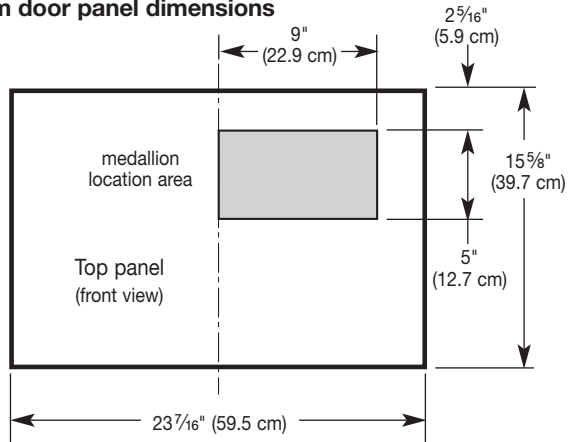
If not, remove the toe panel and shorten using the utility knife. Remove any rough edges.



10. Slide toe panel back onto mounting rails.
11. If needed, you may simply push the toe panel back or forward on the mounting rail.
12. With a Phillips screwdriver, tighten the toe panel clamping screws on both sides.
13. Plug in dishwasher or reconnect power.
14. Go to "Complete Installation" section.

Option 2: Install custom door panels (on some models)

Custom door panel dimensions

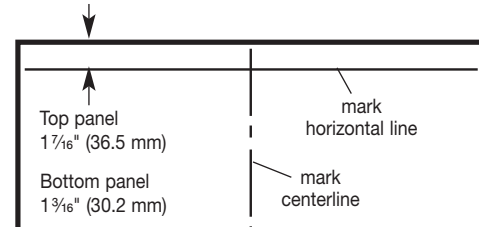


Upper and lower panel minimum thickness is $\frac{5}{8}$ " (16 mm). Panel thickness more than $\frac{1}{4}$ " (18 mm) can be accommodated but overall product depth will increase accordingly.

Custom door panel material must be suitable for damp conditions or adequately sealed to withstand moisture and humidity. Using a moisture-resistant material can provide additional protection. Taping edges alone may not provide adequate sealing. For painted panel, paint all rear edges to improve sealing.

1. Cut the custom door panel to specifications shown. The custom panel may be wider than the dishwasher in order to match the surrounding cabinets.

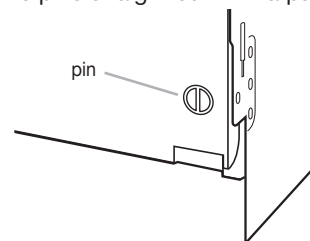
2. On the front side of the custom door panel, measure and mark the location of the customer supplied handle. The location is customer preference. Do not install handle at this time.
3. On the front side of the custom door panel, measure, mark and cut a hole for the medallion per specifications shown. **NOTE:** The medallion must be placed within the specified medallion area. Do not locate outside of this specified area.
4. Lay the custom front panel face down on a protective covering to prevent damage or abrasions.
5. On the back side of the custom door panel, rout a $\frac{1}{4}$ " (6.4 mm) radius around the medallion cutout. The medallion end does not need to be routed.
6. Measure and mark the vertical centerline and horizontal position line on the back of the custom door panel.



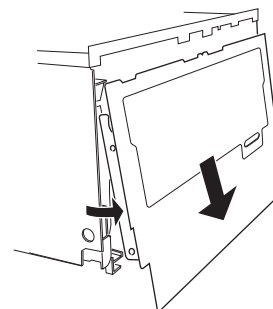
7. Mount the handle to the custom door panel. The screws must not extend beyond the back surface of the panel. Countersink the holes.
8. Feed the wires of the medallion connector through the front of the custom door panel and push the medallion into the prepared medallion hole.



9. Remove the pins on both sides of the dishwasher drawer by pulling the pins straight out with a pair of needle-nose pliers.

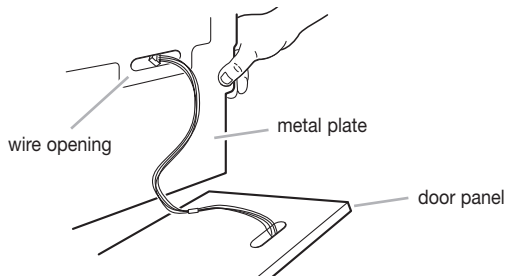


10. Gently pull the bottom of the metal plate away from the dishwasher, and then pull down.

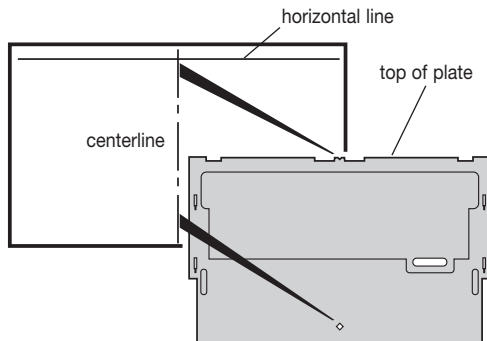


11. Lay the custom door panel face down.

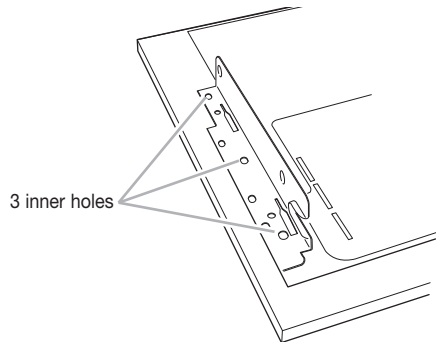
12. Feed the medallion wires through the wire opening in the metal plate.



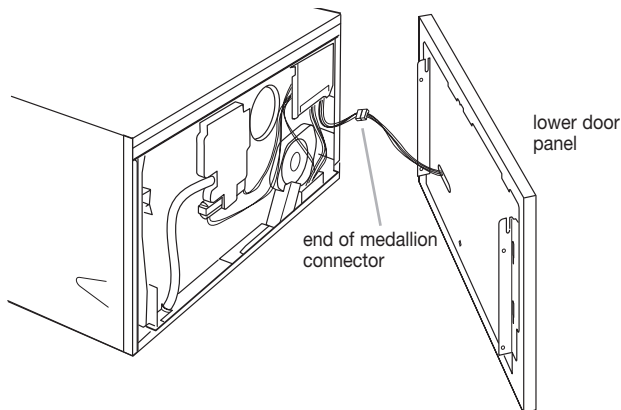
13. Lay the metal plate on the back of the custom door panel.
 14. Align the centerline marked on the custom door panel with the diamond shape and notch in the metal plate to center the metal plate horizontally. Align the horizontal line with the top of the metal plate.



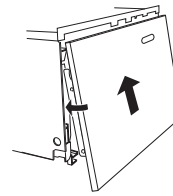
15. Using the screws provided, fasten the metal plate to the door panel through the 3 inner holes (per side).



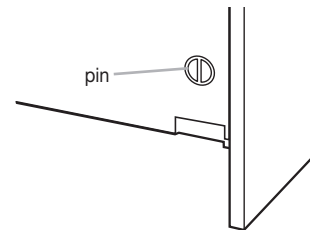
16. Connect the medallion connector to the dishwasher connector.



17. Slide the metal plate tabs into the notches and slots on the dishwasher and gently pull up to lock in place.



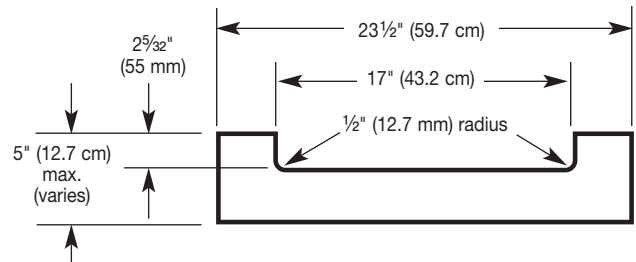
18. Line up the bracket holes with the pin holes and replace each pin so that the pin line is vertical.



19. Repeat steps 2–15 for other custom door panel.

Option 2: Install custom toe panel (on some models)

Custom toe panel dimensions



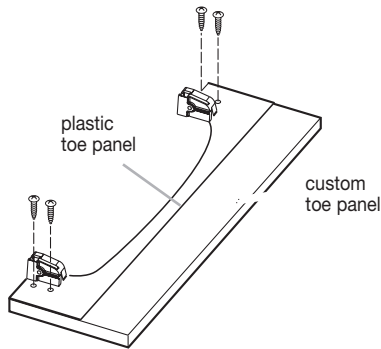
The black prefinished toe panel can also have a custom front panel with a thickness from $\frac{3}{8}$ " to $\frac{3}{4}$ " (9–19 mm) attached to it. Determine the height of the toe panel custom panel: The minimum height is $2\frac{3}{4}$ " (70.5 mm). Measure from the top of the adjacent cabinet door front to the floor. Subtract $28\frac{15}{32}$ " (72.3 cm) for needed toe panel height.

NOTES: Depending on countertop height, you may not have to trim the toe panel.

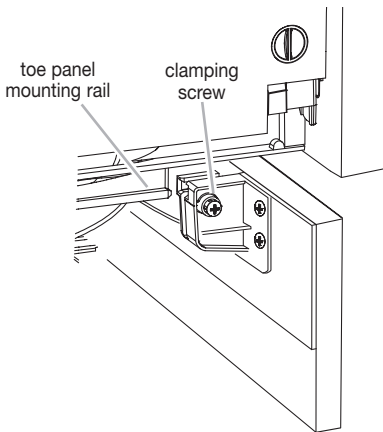
Rugs placed in front of dishwasher could interfere with toe panel. Clearance between floor and toe panel may need to include the rug thickness.

1. Prepare the custom toe panel to specifications shown above.
2. Lay the custom toe panel face down.

3. Fasten the black plastic toe panel on the back of the custom toe panel with the screws provided with the dishwasher.



4. Partially open bottom drawer. Position custom toe panel behind door and slide on the underside of tub.
5. Close the drawer and slide the toe panel back onto mounting rails.
6. If needed, you may simply push the toe panel back or forward on the mounting rail.
7. With a Phillips screwdriver, tighten the toe panel clamping screws on both sides.



8. Plug in dishwasher or reconnect power.

9. After the rinse program has finished, be sure the dishwasher has run and drained correctly.
10. Check the water supply and drainage connection for leakage.
11. Check that you have all of your tools.
12. Dispose of/recycle all packaging materials.
13. Read "Dishwasher Use" in the Drawer Dishwasher Use and Care Guide.

If dishwasher does not operate, check the following:

- Household fuse is intact and tight; or circuit breaker has not tripped.
- Electrical supply is connected.
- See "Troubleshooting" in your Use and Care Guide.

Complete Installation

1. Check that all parts are now installed. If there is an extra part, go back through the steps to see which step was skipped.
2. Check that the dishwasher is level, securely fastened to the cabinetry and opens and closes freely with no resistance from the cabinetry.
3. Check that the inlet hose to valve connection is tightened an additional half turn after seal contact.
4. Check that any knockouts or plugs in the drain connection have been drilled out and drain connection has been made.
5. Turn on the power and water supply. The dishwasher should beep and the controls should light up.
6. Open the drawers and check the operation of the wash program control panel.
7. Check that the spray arm is in place and rotates freely.
8. On the wash program control panel, select rinse and close the drawers. Start the program by pressing the Start/Resume button.

528879/8573755 Rev. A

© 2006 KitchenAid

® Registered trademark/™ trademark of KitchenAid, U.S.A.,
KitchenAid Canada licensee in Canada

Benton Harbor, Michigan 49022

Printed in New Zealand
03/2006

Instructions d'installation

Lave-vaisselle tiroir

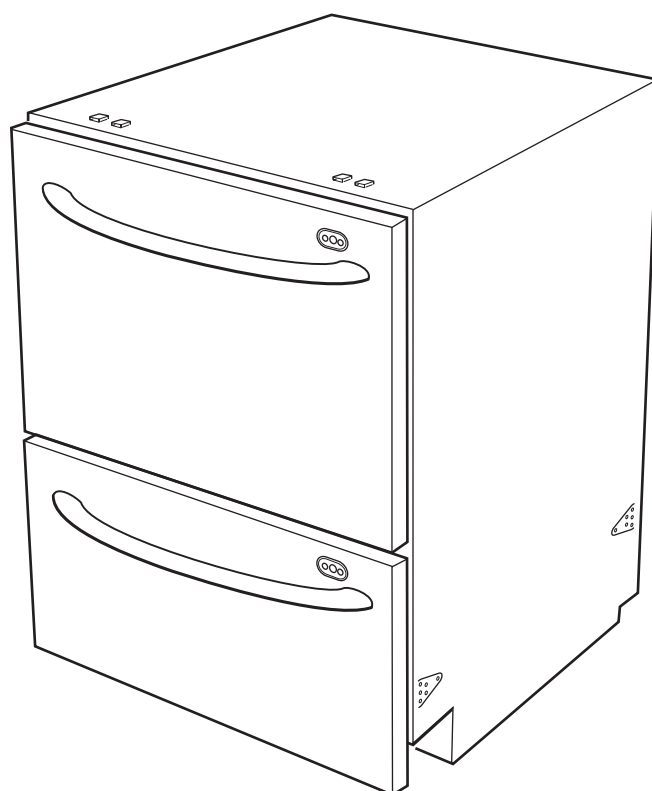


Table des matières		Instructions d'installation	5
Sécurité du lave-vaisselle tiroir	2	Préparation de la cavité d'installation	5
Exigences d'installation	3	Raccordement électrique	5
Outils et pièces	3	Cas de l'installation de moulures extrudées flexibles.	8
Emplacement d'installation	3	Installation du lave-vaisselle	8
Spécifications de l'alimentation en eau	4	Raccordement à la canalisation d'évacuation	11
Spécifications électriques	4	Raccordement à la source d'alimentation en eau	12
		Installation des panneaux avant et de la planche de plinthe du tiroir	12
		Achever l'installation	16

SÉCURITÉ DU LAVE-VAISSELLE TIROIR

Votre sécurité et celle des autres est très importante.

Nous donnons de nombreux messages de sécurité importants dans ce manuel et sur votre appareil ménager. Assurez-vous de toujours lire tous les messages de sécurité et de vous y conformer.



Voici le symbole d'alerte de sécurité.

Ce symbole d'alerte de sécurité vous signale les dangers potentiels de décès et de blessures graves à vous et à d'autres.

Tous les messages de sécurité suivront le symbole d'alerte de sécurité et le mot "DANGER" ou "AVERTISSEMENT". Ces mots signifient :

⚠ DANGER

Risque possible de décès ou de blessure grave si vous ne suivez pas immédiatement les instructions.

⚠ AVERTISSEMENT

Risque possible de décès ou de blessure grave si vous ne suivez pas les instructions.

Tous les messages de sécurité vous diront quel est le danger potentiel et vous disent comment réduire le risque de blessure et ce qui peut se produire en cas de non-respect des instructions.

EXIGENCES D'INSTALLATION

Outillage et pièces

Rassembler les outils et pièces nécessaires avant de commencer l'installation. Lire et suivre les instructions fournies avec les outils indiqués ici.

Outillage nécessaire :

- couteau utilitaire
- pince à bec effilé
- mètre-ruban
- tournevis à lame plate
- tournevis Phillips n° 2
- pince coupante latérale
- crayon
- papier abrasif de ponçage
- niveau
- planche à découper en bois
- clé à mollette - ouvrable jusqu'à 1 1/8" (29 mm)
- clé à douille - 7 mm
- clé à douille - 5 mm
- clé plate ou à œil - 5 mm
- perceuse électrique ou manuelle
- scie à trou - 1 1/2"
- robinet d'arrêt (de taille correspondant à la taille de la canalisation d'eau chaude) - avec raccord à compression mâle 3/8"
- revêtement de protection pour le plancher

Pièces fournies :

Dans le tiroir inférieur :

- 2 moulures extrudées flexibles (pour les côtés)
- 1 moulure extrudée flexible (pour le sommet)
- moulure de protection des bords
- bride à tuyau (à visser)
- joint
- 2 brides d'installation (sommet)
- support pour tuyau d'évacuation
- connecteur pour tuyau d'évacuation
- 2 brides à tuyau (fil métallique)
- 24 vis à bois Phillips n° 8
- planche de plinthe
- bride de montage pour planche de plinthe (sur certains modèles)
- ruban adhésif anti-humidité

Emplacement d'installation

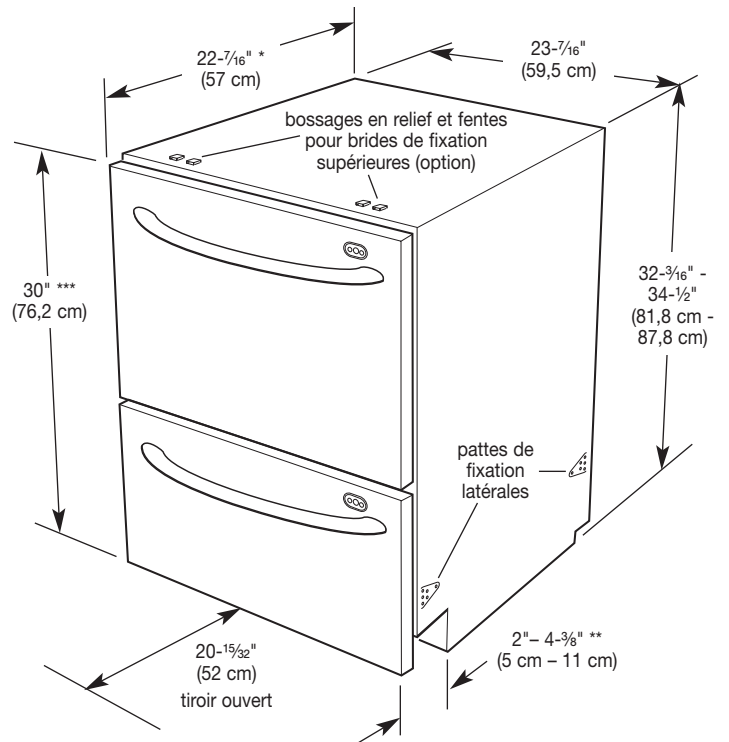
IMPORTANT : Respecter les prescriptions de tous les codes et règlements en vigueur. Le non-respect des prescriptions des codes et règlements peut provoquer un incendie ou un choc électrique.

C'est à l'acquéreur du produit qu'incombe la responsabilité d'une installation correcte :

- Contacter un installateur qualifié pour que le lave-vaisselle soit installé dans le respect de tous les codes national et local régissant les installations d'électricité et de plomberie.
- Installer le lave-vaisselle conformément aux présentes instructions.
- Veiller à disposer de tout le matériel nécessaire pour l'installation du lave-vaisselle.
- Protéger le lave-vaisselle et les canalisations qui l'alimentent contre le gel. La garantie ne couvre pas les dommages provoqués par le gel.

- Ce lave-vaisselle est conçu pour l'utilisation à l'intérieur seulement.
- Installer le lave-vaisselle sur un plancher capable de soutenir son poids, et dans un espace de taille compatible avec les dimensions de l'appareil et son utilisation.

Dimensions du produit



* Si des panneaux décoratifs personnalisés en bois sont utilisés, la profondeur du produit indiquée correspond à la présence d'un panneau de porte de 11/16" (18 mm) d'épaisseur.

** Profondeur du retrait de plinthe : Configuration de fourniture usine, 2 - 4-3/8" (5 - 11 cm) ; Panneau de bois (personnalisé) - 5" (12,7 cm) moins l'épaisseur du panneau de plinthe pour produit intégré. L'épaisseur minimum du panneau à respecter lors de l'emploi des vis fournies est de 3/8" (9 mm).

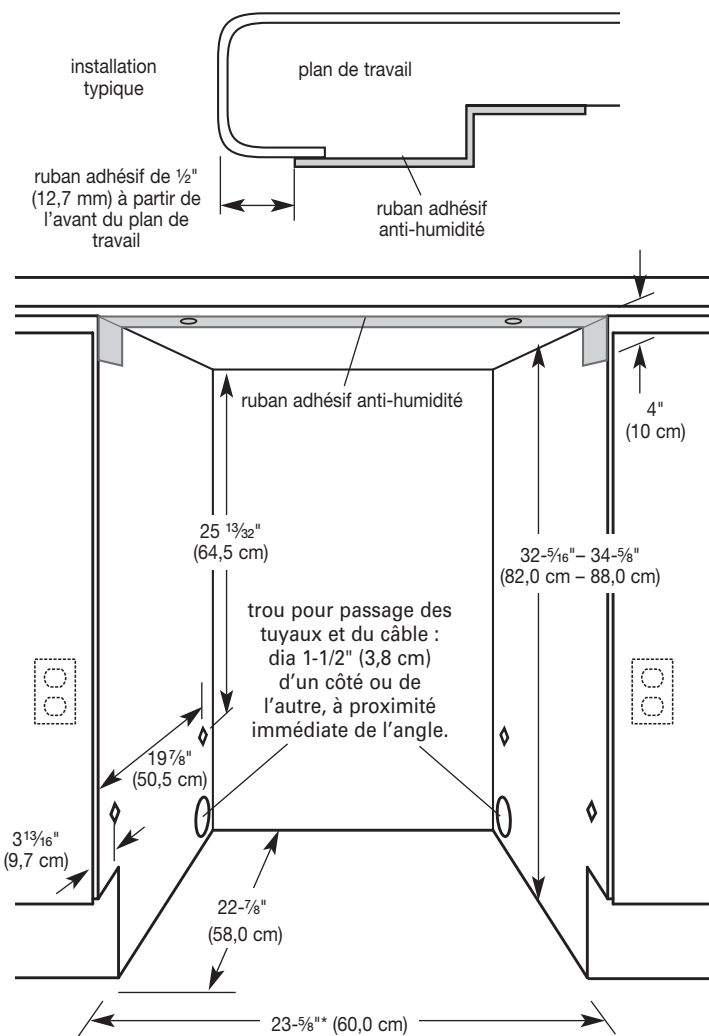
*** Hauteur de la porte avant : Configuration de fourniture usine, 30" (76,2 cm) ; Panneau de bois personnalisé, 28-1/4" (71,8 cm) minimum.

NOTE : Pour la représentation des dimensions, le produit est illustré avec les panneaux avant.

La plus grande longueur du point de sortie du produit au raccordement (n'inclut pas le dégagement pour la boucle du circuit de vidange) :

- Tuyau de vidange - 88 3/16" (2250 mm) : nécessaire de rallonge disponible - pièce n° 8194400
- Tuyau d'admission d'eau - 68 7/8" (1750 mm)
- Câblage d'alimentation - 44" (1125 mm)

Dimensions/exigences du placard



Ces marques identifient les emplacements des vis pour les pattes de montage.

- Construire le placard personnalisé aux dimensions indiquées et en respectant les instructions fournies, avec des parois d'une épaisseur minimum de $\frac{5}{8}$ " (1,6 cm).
- La prise à 3 alvéoles de liaison à la terre doit être installée à une distance de 6" (15,2 cm) à 18" (45,7 cm) du trou de passage des tuyaux et du câble dans la paroi latérale du placard. La prise de courant doit être accessible après l'installation.
- Pour la prévention d'une éventuelle détérioration par l'humidité, on recommande d'appliquer une peinture de scellement (peinture à base d'huile ou peinture au polyuréthane résistante à l'humidité) sur les éléments de bois des placards au voisinage du lave-vaisselle.
- Le trou de passage des tuyaux et du câble doit être placé comme l'indique l'illustration. Si ce n'est pas le cas, les tuyaux empêcheront l'insertion complète du lave-vaisselle dans la cavité. Veiller à éliminer les bavures ou à placer un accessoire de protection sur les arêtes du trou. Lorsque le trou est percé dans une cloison de placard métallique, on doit protéger la rive avec l'accessoire de protection fourni.

IMPORTANT : Panneaux de porte personnalisés en bois : la largeur des panneaux peut être supérieure à celle du lave-vaisselle, pour un meilleur ajustement avec les placards adjacents. On doit augmenter la dimension 23- $\frac{5}{8}$ " (60,0 cm) pour qu'il y ait un espace libre de $\frac{3}{32}$ " (2,5 mm) entre le côté du placard et le bord du panneau.

- Pour l'installation dans un angle, on doit prévoir un espace de $\frac{1}{2}$ " (12,7 mm) entre une porte de placard adjacente (c'est-à-dire les boutons de porte) et le tiroir ouvert du lave-vaisselle.

Spécifications de l'alimentation en eau

Pour le lave-vaisselle :

- Canalisation d'eau chaude offrant une pression de 4,3-145 lb/po² (30 – 1000 kPa).
- Eau à 120°F (48,8°C) au lave-vaisselle.
- On doit installer un robinet d'arrêt de $\frac{3}{8}$ " avec raccord à compression, en un point accessible sur la canalisation d'eau chaude.

Spécifications électriques

⚠ AVERTISSEMENT



Risque de choc électrique

- Brancher sur une prise à 3 alvéoles reliée à la terre.
- Ne pas enlever la broche de liaison à la terre.
- Ne pas utiliser un adaptateur.
- Ne pas utiliser un câble de rallonge.
- Le non-respect de ces instructions peut causer un décès, un incendie ou un choc électrique.

INSTRUCTIONS DE MISE À LA TERRE

- Pour un lave-vaisselle relié à la terre, branché avec un cordon :

Le lave-vaisselle doit être relié à la terre. En cas d'un mauvais fonctionnement ou d'une panne, la mise à terre réduira le risque d'un choc électrique en fournissant le moins de résistance pour le courant électrique. Le lave-vaisselle est équipé d'un cordon avec un conducteur pour relier les appareils à la terre. La fiche doit être branchée sur une prise appropriée, installée et reliée à la terre conformément aux codes et règlements locaux.

AVERTISSEMENT : La connexion incorrecte du conducteur pour relier les appareils à la terre peut causer le risque de choc électrique. Vérifier avec un électricien compétent ou un représentant de service si vous avez des doutes si le lave-vaisselle est correctement relié à la terre. Ne pas modifier la fiche fournie avec le lave-vaisselle; si elle n'entre pas dans la prise, faire installer une prise appropriée par un électricien compétent.

- Pour un lave-vaisselle branché en permanence :

Le lave-vaisselle doit être branché à un système d'installation électrique permanent en métal relié à la terre, ou un conducteur pour relier les appareils doit être relié avec les conducteurs du circuit et branché à une borne pour relier les appareils à la terre ou au cordon d'alimentation électrique avec le lave-vaisselle.

CONSERVEZ CES INSTRUCTIONS

L'appareil doit être alimenté uniquement par un circuit de 120 V CA (60 Hz), protégé par fusible de 15 A (disjoncteur ou fusible temporisé de préférence). Il est recommandé que l'appareil soit alimenté par un circuit indépendant.

Broyeur à déchets :

Si on envisage l'installation d'un broyeur à déchets, on devra disposer d'un circuit d'alimentation indépendant additionnel de 120 V CA (60 Hz), protégé par un fusible de 15 ou 20 A.

Méthode recommandée de liaison à la terre

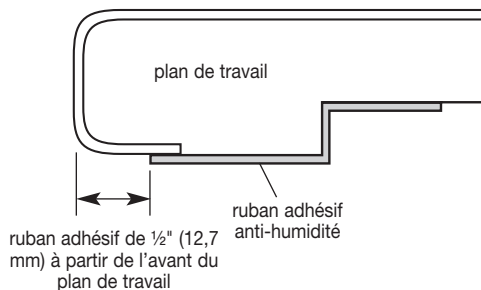
Cet appareil doit être relié à la terre. Cet appareil est équipé d'un cordon d'alimentation à fiche à 3 alvéoles pour la liaison à la

terre. Pour minimiser les risques possibles de choc électrique, le cordon doit être branché dans une prise de courant électrique à fiche de liaison à la terre et relié à la terre conformément aux codes et règlements locaux en vigueur.

INSTRUCTIONS D'INSTALLATION

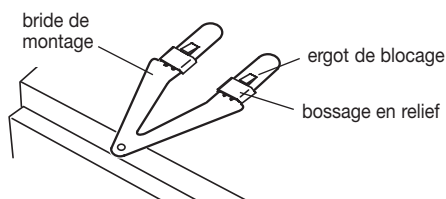
Préparation de la cavité d'installation

1. Pour préparer la cavité d'installation, apposer un ruban adhésif anti-humidité sur la surface sèche et exempte de poussière sous le plan de travail.



2. Fermer l'arrivée d'eau.
3. Choisir quelles pattes de fixation seront utilisées pour l'arrimage du lave-vaisselle. On recommande l'emploi des quatre pattes de fixation sur les côtés.
4. Si des brides de fixation supérieures (option) doivent être utilisées lorsque la nature du matériau du plan de travail le permet, installer ces brides.

Insérer les brides dans les fentes (bossages en relief). Frapper légèrement sur les brides avec le côté plat de la pince coupante, pour faciliter leur insertion. Veiller à ce que les ergots de blocage des brides franchissent complètement les bossages en relief sur le lave-vaisselle.



5. En cas d'utilisation du cordon d'alimentation et de la fiche d'origine, se reporter à la section "Raccordement électrique", option 1 : Méthode avec cordon d'alimentation.

En cas d'utilisation de la méthode par câblage direct du lave-vaisselle, se reporter à la section "Raccordement électrique", option 2 : Méthode par câblage direct.

Raccordement électrique

Option 1 : Méthode avec cordon d'alimentation

⚠ AVERTISSEMENT



Risque de basculement

Ne pas ouvrir le tiroir du lave-vaisselle avant qu'il soit placé dans la cavité d'installation.

Le non-respect de ces instructions peut causer des blessures graves.

⚠ AVERTISSEMENT

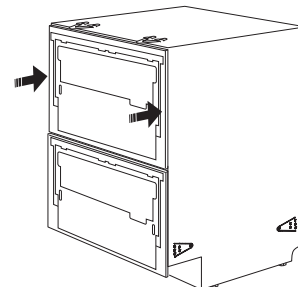
Risque du poids excessif

Utiliser deux ou plus de personnes pour déplacer et installer le lave-vaisselle.

Le non-respect de cette instruction peut causer une blessure au dos ou d'autre blessure.

1. Placer un carton ou tout autre matériau de protection sur le plancher devant la cavité du placard. Placer le lave-vaisselle sur le revêtement.
2. Commencer par faire passer les tuyaux et le cordon d'alimentation électrique à travers le trou de passage percé dans le placard.
3. Enfoncer partiellement le lave-vaisselle dans la cavité.

IMPORTANT : Pousser contre le bord externe des tiroirs (voir l'illustration). Ne pas pousser au milieu des tiroirs.



NOTE : Cet appareil est représenté sans son panneau de façade. Pour certains modèles, le panneau de façade a été installé avant l'expédition.

- Lors de l'insertion du lave-vaisselle dans la cavité, tirer doucement à travers le trou de passage le tuyau d'alimentation, les tuyaux de vidange et le cordon d'alimentation.
 - Enlever la sangle d'arrimage du tiroir supérieur.
- Se reporter à la section "Cas de l'installation de moulures extrudées flexibles".

Option 2 : Méthode par câblage direct

⚠ AVERTISSEMENT



Risque de choc électrique

Interrompre l'alimentation électrique avant d'installer le lave-vaisselle (au niveau du tableau de distribution – fusible ou disjoncteur).

Le non-respect de cette instruction peut causer un décès ou un choc électrique.

⚠ AVERTISSEMENT

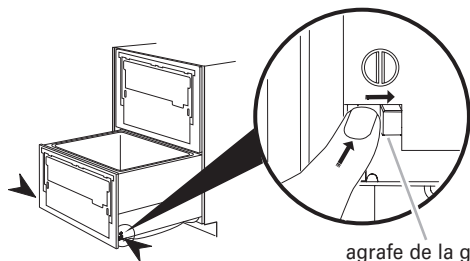
Risque du poids excessif

Utiliser deux ou plus de personnes pour déplacer et installer le lave-vaisselle.

Le non-respect de cette instruction peut causer une blessure au dos ou d'autre blessure.

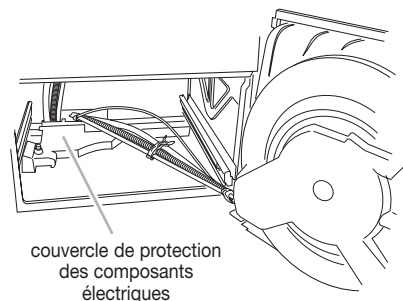
- Placer un carton ou tout autre matériau de protection sur le plancher devant la cavité du placard. Placer le lave-vaisselle sur le revêtement.
- Déconnecter la source de courant électrique.
- Ouvrir le tiroir inférieur.
- Appuyer sur l'agrafe de la glissière de droite pour pouvoir la faire reculer d'environ 6" (15,2 cm). Faire de même avec l'agrafe de la glissière de gauche.

NOTE : Lors de l'extraction du tiroir, l'amplitude de mouvement est limitée du fait de la présence des tuyaux d'eau.



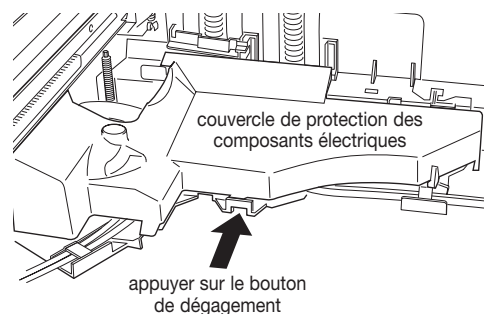
- Soulever le bord du côté droit du tiroir pour le séparer de la glissière. Réinsérer cette glissière dans le lave-vaisselle. Soulever le tiroir pour le séparer complètement de la glissière de gauche.

- Faire pivoter le tiroir vers la droite pour le placer sur son côté, sur le matériau de protection du sol.



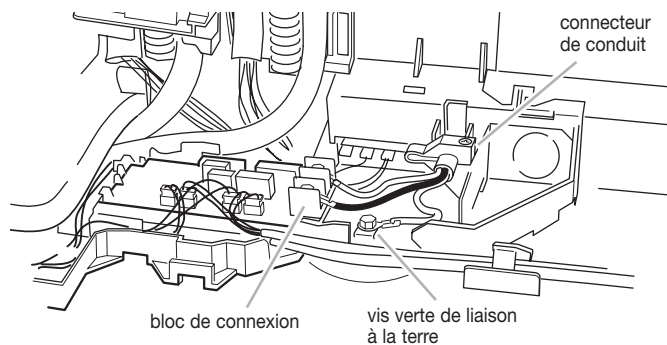
- Réinsérer la glissière de gauche dans le lave-vaisselle.
- Le couvercle de protection des composants électriques est situé dans l'angle arrière/gauche.

Avec un tournevis à lame plate, appuyer sur le bouton de dégagement. Faire glisser le couvercle vers la droite et tirer vers le haut.



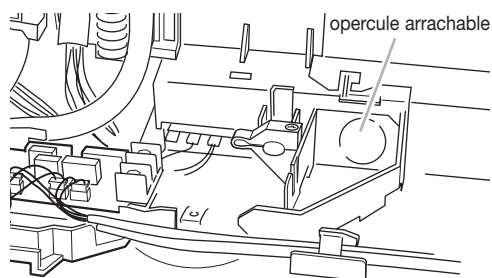
Enlever le cordon d'alimentation installé à l'usine.

- Déconnecter du bloc de connexion les conducteurs noir et blanc du cordon d'alimentation.

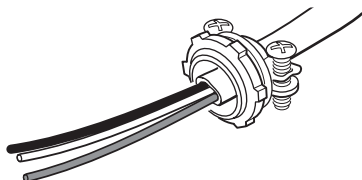


- Utiliser une clé à douille de 7 mm pour enlever la vis verte de liaison à la terre. Enlever le conducteur vert de liaison à la terre.
- Utiliser un tournevis Phillips pour enlever la vis du serre-câble. Ouvrir le serre-câble.
- Tirer le cordon d'alimentation à travers l'arrière du lave-vaisselle.
- Refermer le serre-câble et réinstaller la vis; veiller à ce qu'il n'y ait aucune interférence avec le couvercle de protection des composants électriques.

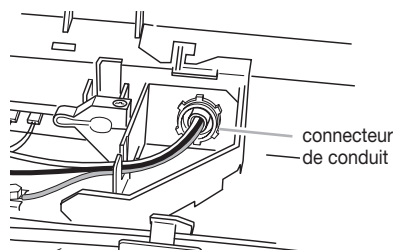
6. Enlever l'opercule arrachable de l'orifice qui sera utilisé pour le passage du câble.



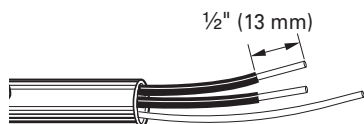
7. Faire passer les conducteurs du câblage de la maison à travers le connecteur de conduit (non fourni), et dans le lave-vaisselle (à travers l'ouverture de l'opercule arrachable).



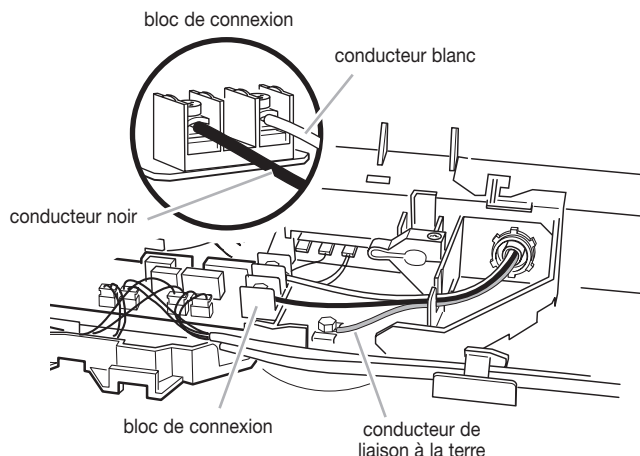
8. Fixer solidement le connecteur de conduit dans l'ouverture de l'opercule arrachable.



9. Sur le câblage de la maison, dénuder l'extrémité de chaque conducteur sur 1/2" (13 mm).



10. Insérer le câble d'alimentation noir et le conducteur neutre blanc dans les connecteurs de fil appropriés sur le bloc de connexion. Serrer fermement les attaches.



⚠ AVERTISSEMENT

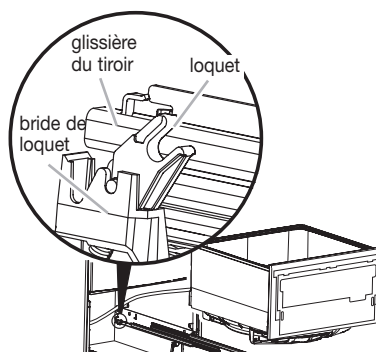


Risque de choc électrique

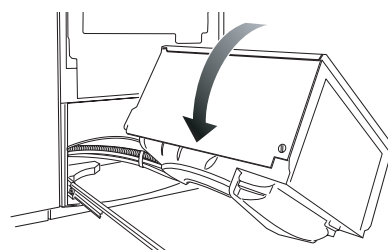
Connecter le fil de liaison à la terre sous la vis verte de liaison à la terre.

Le non-respect de cette instruction peut causer un décès ou un choc électrique.

11. Placer le câble de liaison à la terre sous la vis verte de liaison à la terre. Utiliser une clé à douille de 7 mm pour serrer solidement la vis verte de liaison à la terre.
12. Serrer le connecteur de conduit. Réinstaller le couvercle de protection des composants électriques.
13. Déployer complètement les glissières du tiroir inférieur. Veiller à ce que les loquets à l'arrière de chaque glissière du tiroir soit orientés vers l'avant.

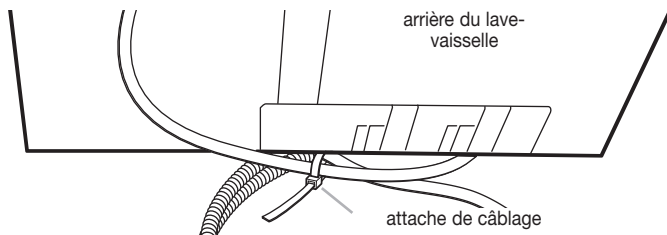


14. Si on avait fait pivoter le tiroir inférieur, effectuer un pivotement dans le sens opposé pour dégager les tuyaux, puis placer le tiroir sur les glissières; veiller à ce que les tuyaux forment leur boucle vers le haut.



15. Tout en maintenant le tiroir, déployer complètement le reste de la glissière du tiroir. Suivre la procédure à l'étape 13 pour placer le tiroir sur l'autre glissière.
16. Vérifier que les deux agrafes de la glissière sont bien emboîtées. Si ce n'est pas le cas, tirer les agrafes de glissière vers l'avant jusqu'à ce qu'elles le soient.
17. Fermer le tiroir inférieur.

18. Utiliser la pince coupante latérale pour couper l'attache de câblage immobilisant les tuyaux et le cordon d'alimentation à l'arrière du lave-vaisselle.



19. Enlever complètement le cordon d'alimentation; conserver celui-ci au cas où il faudrait le réinstaller à l'avenir.

⚠ AVERTISSEMENT



Risque de basculement

Ne pas ouvrir le tiroir du lave-vaisselle avant qu'il soit placé dans la cavité d'installation.

Le non-respect de ces instructions peut causer des blessures graves.

⚠ AVERTISSEMENT

Risque du poids excessif

Utiliser deux ou plus de personnes pour déplacer et installer le lave-vaisselle.

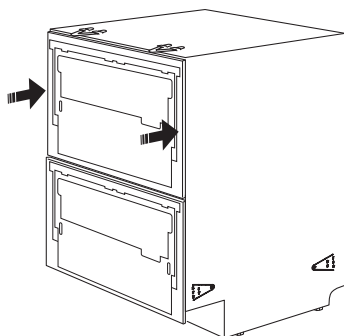
Le non-respect de cette instruction peut causer une blessure au dos ou d'autre blessure.

20. Placer un carton ou tout autre matériau de protection sur le plancher devant la cavité du placard. Placer le lave-vaisselle sur le revêtement.

21. Commencer par faire passer les tuyaux à travers le trou de passage percé dans le placard.

IMPORTANT : Pousser contre le bord externe des tiroirs, tel qu'illustré. Ne pas pousser au milieu des tiroirs.

22. Enfoncer partiellement le lave-vaisselle dans la cavité.



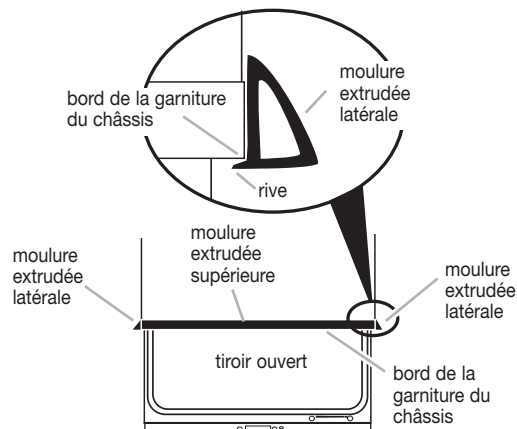
23. Lors de l'insertion du lave-vaisselle dans la cavité, tirer doucement à travers le trou de passage le tuyau d'alimentation et le tuyau de vidange. Laisser le câblage du domicile derrière le lave-vaisselle.

24. Enlever la sangle d'arrimage du tiroir supérieur.

Cas de l'installation de moulures extrudées flexibles

Si les dimensions de la cavité d'insertion sont largeur 24" x hauteur 34 1/2" (61,0 cm x 87,6 cm), on peut installer les moulures extrudées flexibles le long du sommet et du côté du lave-vaisselle. Ces moulures extrudées sont de longueurs différentes.

1. Ouvrir les tiroirs pour exposer la garniture du châssis.
2. Centrer les moulures extrudées flexibles.

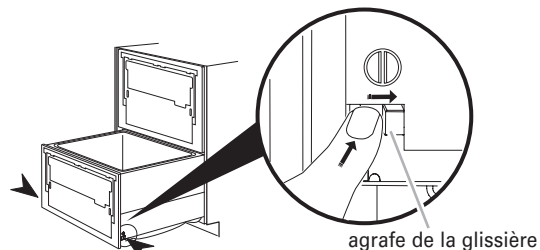


3. Si des brides de fixation supérieures (option) sont utilisées, placer les moulures extrudées flexibles sous les brides de fixation.
4. Pour chaque moulure extrudée, enlever l'endos de papier pour exposer l'adhésif.
5. Placer les moulures extrudées sur la garniture, et appuyer.
6. Terminer l'insertion du lave-vaisselle dans la cavité d'installation.

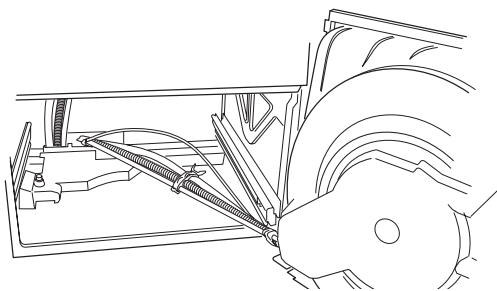
Installation du lave-vaisselle

1. Laisser le matériau de protection sur le sol.
2. Ouvrir le tiroir inférieur.
3. Appuyer sur l'agrafe de la glissière de droite pour pouvoir la faire reculer d'environ 6" (15,2 cm). Faire de même avec l'agrafe de la glissière de gauche.

NOTE : Lors de l'extraction du tiroir, l'amplitude de mouvement est limitée du fait de la présence des tuyaux d'eau.



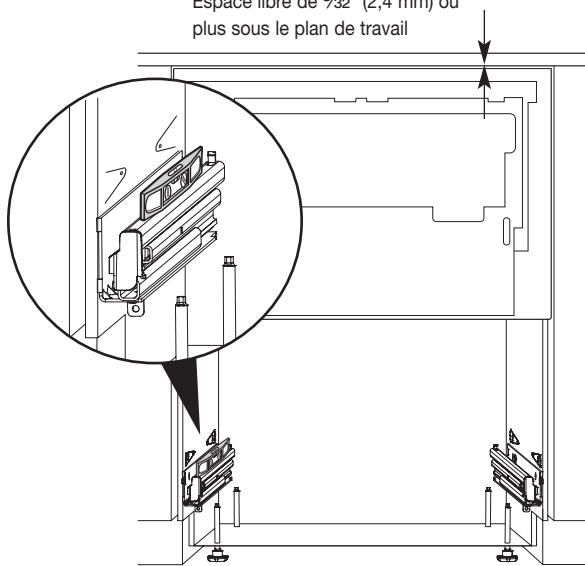
4. Soulever le bord du côté droit du tiroir pour le séparer de la glissière. Réinsérer cette glissière dans le lave-vaisselle.
5. Soulever le tiroir pour le séparer complètement de la glissière de gauche.
6. Faire pivoter le tiroir vers la droite pour le placer sur son côté, sur le matériau de protection du sol.



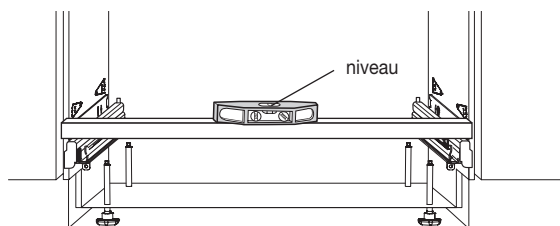
7. Réinsérer la glissière de gauche dans le lave-vaisselle.
8. À l'intérieur du lave-vaisselle, ajuster la longueur des pieds – utiliser une clé plate ou à œil, ou clé à douille, de 5 mm (si l'espace le permet).

Ajuster la hauteur de l'appareil et établir l'aplomb. Placer un niveau sur les glissières du tiroir. Veiller à ce que le défaut d'aplomb ne dépasse pas $\frac{3}{32}$ " (2,4 mm) entre l'avant et l'arrière.

Espace libre de $\frac{3}{32}$ " (2,4 mm) ou plus sous le plan de travail



9. Placer un niveau en travers des glissières. Veiller à ce que le défaut d'aplomb ne dépasse pas $\frac{3}{32}$ " (2,4 mm).



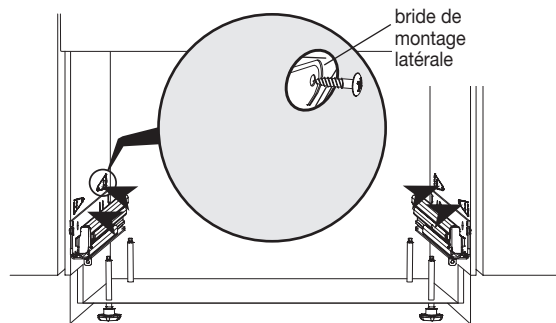
Options de fixation

Option 1 : Fixation latérale

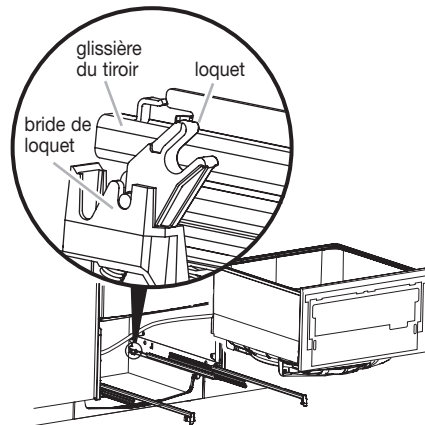
1. On accède aux pattes de fixation latérales du lave-vaisselle à travers les trous du matériau d'insonorisation.

IMPORTANT : Pour optimiser l'installation, utiliser les quatre pattes de fixation. Ajouter si nécessaire des cales d'espacement sur le côté du placard pour la fixation des vis. Voir la section "Placard – dimensions à respecter".

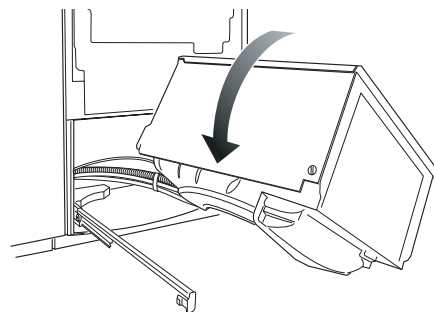
2. Assurer l'arrimage entre les pattes et le placard, à l'aide de vis Phillips n° 8.



3. Déployer complètement les glissières du tiroir inférieur. Veiller à ce que les loquets à l'arrière de chaque glissière du tiroir soient orientés vers l'avant.



4. Si on avait fait pivoter le tiroir inférieur, effectuer un pivotement dans le sens opposé pour dégager les tuyaux, puis placer le tiroir sur les glissières; veiller à ce que les tuyaux forment leur boucle vers le haut.

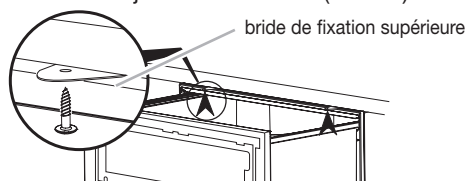


5. Tout en maintenant le tiroir, déployer complètement le reste de la glissière du tiroir. Suivre la procédure à l'étape 3 pour placer le tiroir sur l'autre glissière.
6. Vérifier que les deux agrafes des glissières se sont emboîtées. Si ce n'est pas le cas, tirer les agrafes vers l'avant jusqu'au point d'emboîtement.
7. Fermer le tiroir inférieur.

Option 2 : Fixation supérieure

1. Si on utilise des brides de fixation supérieures, ouvrir légèrement le tiroir supérieur.
2. Fixer les brides de fixation supérieures sur la face inférieure du plan de travail, avec deux vis Phillips n° 8.

IMPORTANT : Les brides de fixation supérieures peuvent accommoder un jeu vertical de $\frac{3}{4}$ " (19 mm) ou moins.



3. Fermer le tiroir supérieur.

NOTE : Pour optimiser l'installation, utiliser les pattes de fixation latérale.

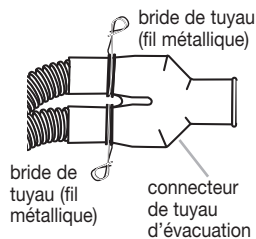
Raccordement à la canalisation d'évacuation

NOTE : Il sera nécessaire de séparer les tuyaux de vidange, pour satisfaire aux exigences de cuisine kasher. Dans un tel cas, consulter le rabbin local au sujet de l'acceptabilité de l'installation.

Un ensemble de rallonge du tuyau de vidange, pièce n° 8194400, allongera le tuyau de vidange d'un maximum de $141 \frac{3}{4}$ " (360,05 cm). Ne pas l'allonger au-delà de cette longueur. La hauteur maximum du tuyau de vidange est de $37 \frac{1}{2}$ " (95,25 cm).

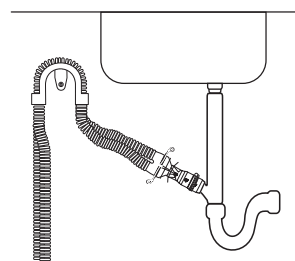
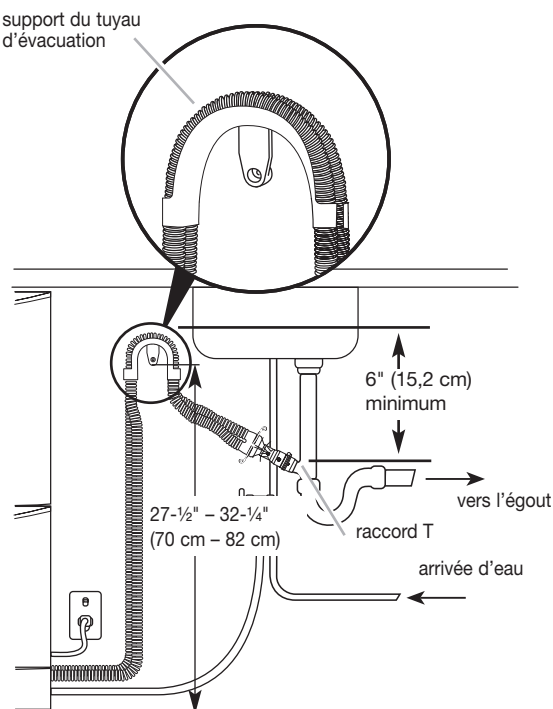
Option 1 : Connexion sur le raccord T du circuit d'évacuation de l'évier

1. Acheminer le tuyau d'évacuation comme l'indique l'illustration ci-dessous. Placer les tuyaux sur les supports.
2. Déterminer s'il est nécessaire de tailler les segments du tuyau d'évacuation. Effectuer maintenant ces opérations si nécessaire.
3. Engager une bride de tuyau (fil métallique) sur chaque section du tuyau d'évacuation. Pousser fermement chaque tuyau sur le raccord (5 clics).
4. Positionner les brides entre les deux nervures de positionnement visibles sur le raccord du tuyau d'évacuation.
5. Utiliser l'autre bride de tuyau fournie pour fixer le raccord de connexion du tuyau d'évacuation sur le raccord T.



6. Fixer la bride de support du tuyau d'évacuation sur la caisse de l'appareil avec une vis Phillips n° 8; veiller à respecter la hauteur indiquée ci-dessous.

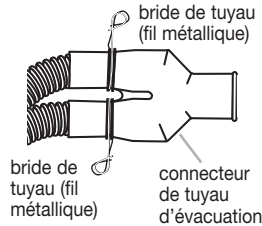
IMPORTANT : Le connecteur de tuyau de vidange ne doit pas soutenir le poids d'une longueur de tuyau excessive. On doit former une boucle sur le tuyau de vidange, comme ceci est indiqué dans les instructions d'installation. Maintenir le tuyau aussi étiré que possible pour éviter un affaissement. Toute longueur excédentaire de tuyau doit être maintenue du côté du lave-vaisselle par rapport à la boucle du circuit de vidange.



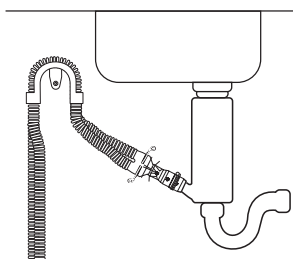
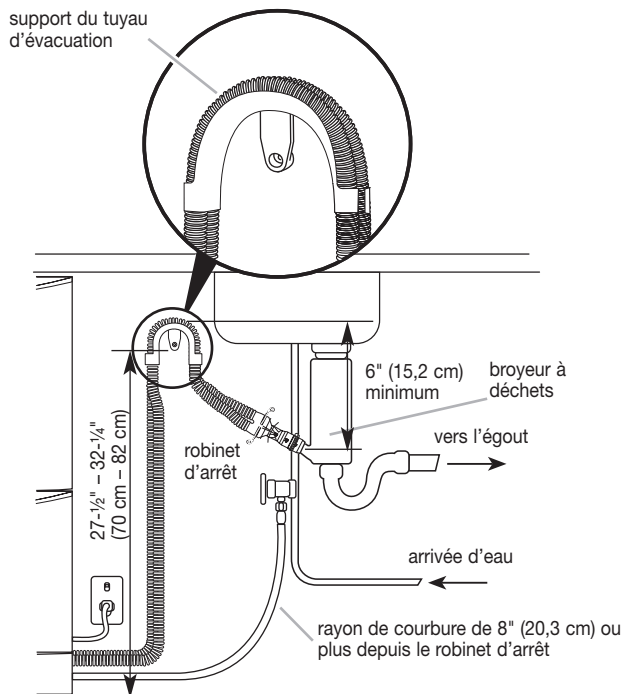
Maintenir la canalisation d'évacuation droite, tel qu'indiqué.

Option 2 : Connexion sur le broyeur à déchets

1. Acheminer le tuyau d'évacuation comme l'indique l'illustration ci-dessous. Placer les tuyaux sur les supports.
2. Déterminer s'il est nécessaire de tailler les segments du tuyau d'évacuation. Effectuer maintenant ces opérations si nécessaire.
3. Engager une bride de tuyau (fil métallique) sur chaque section du tuyau d'évacuation. Pousser fermement chaque tuyau sur le raccord (5 clics).
4. Positionner les brides entre les deux nervures de positionnement visibles sur le raccord du tuyau d'évacuation.
5. Fixer le connecteur du tuyau d'évacuation au broyeur à déchets à l'aide de la bride de fixation fournie.
6. Fixer la bride de support du tuyau d'évacuation sur la caisse de l'appareil avec une vis Phillips n° 8; veiller à respecter la hauteur indiquée ci-dessous.



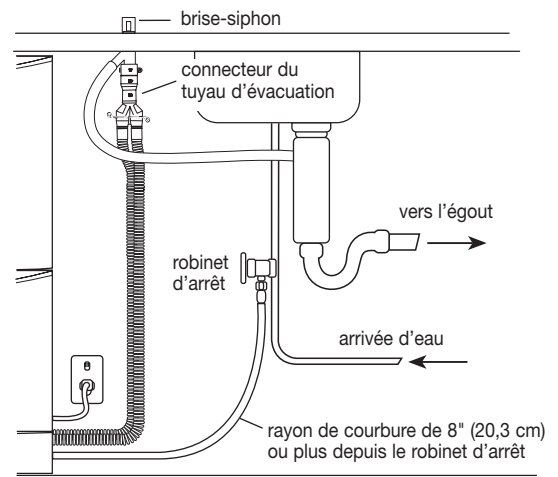
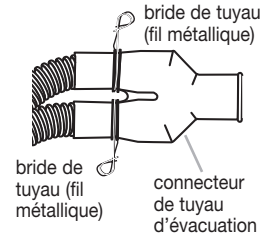
IMPORTANT : Le connecteur de tuyau de vidange ne doit pas soutenir le poids d'une longueur de tuyau excessive. On doit former une boucle sur le tuyau de vidange, comme ceci est indiqué dans les instructions d'installation. Maintenir le tuyau aussi étiré que possible pour éviter un affaissement. Toute longueur excédentaire de tuyau doit être maintenue du côté du lave-vaisselle par rapport à la boucle du circuit de vidange.



Maintenir la canalisation d'évacuation droite, tel qu'indiqué.

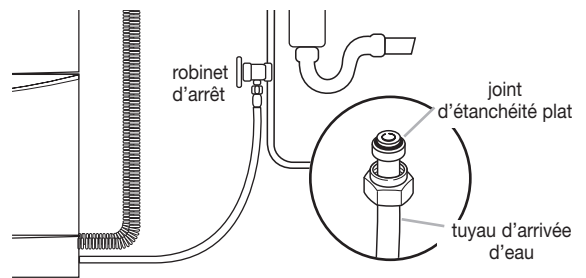
Option 3 : Connexion au brise-siphon

1. Acheminer le tuyau d'évacuation comme l'indique l'illustration.
2. Déterminer s'il est nécessaire de tailler les segments du tuyau d'évacuation. Effectuer maintenant ces opérations si nécessaire.
3. Engager une bride de tuyau (fil métallique) sur chaque section du tuyau d'évacuation. Pousser fermement chaque tuyau sur le raccord (5 clics).
4. Positionner les brides entre les deux nervures de positionnement visibles sur le raccord du tuyau d'évacuation.



Raccordement à la source d'alimentation en eau

1. Insérer le joint d'étanchéité plat à l'extrémité du tuyau d'arrivée d'eau. Connecter le tuyau d'arrivée d'eau au robinet d'arrêt. Bien serrer.
2. Ouvrir le robinet d'arrivée d'eau et inspecter pour rechercher d'éventuelles fuites.

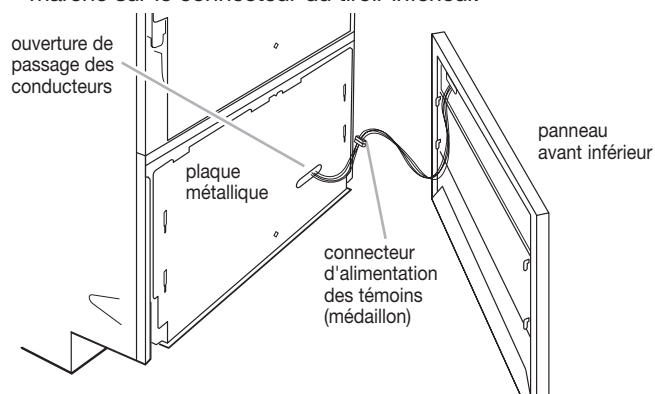


3. Ouvrir le tiroir supérieur. Retirer le ruban adhésif d'emballage à l'avant et à l'arrière du panier à vaisselle.
4. Fermer le tiroir.
5. Ouvrir le tiroir inférieur. Retirer le ruban adhésif d'emballage à l'avant et à l'arrière du panier à vaisselle.
6. Fermer le tiroir.

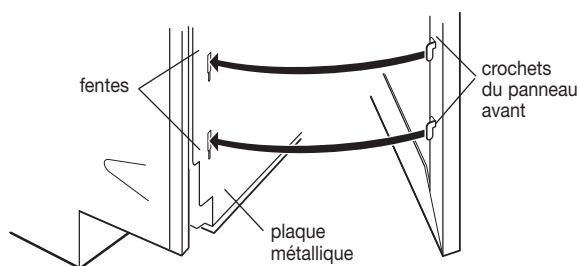
Installation des panneaux avant et de la planche de plinthe du tiroir

Option 1 : Installation du panneau avant standard (sur certains modèles)

1. Retirer les panneaux avant de l'emballage et jeter les matériaux d'emballage.
2. Sur le panneau avant le plus court (tiroir inférieur) et sur la plaque métallique, enlever les rubans adhésifs qui immobilisent le connecteur et les conducteurs. Jeter les rubans adhésifs.
3. Brancher l'extrémité du connecteur du bouton de mise en marche sur le connecteur du tiroir inférieur.



4. Faire passer doucement les connecteurs et conducteurs à travers l'ouverture de la plaque métallique.
5. Aligner les crochets du panneau avant avec les fentes de la plaque métallique. Veiller à ne pas tirer le connecteur à travers l'ouverture de passage des conducteurs. (Tirer légèrement sur le tiroir pour faciliter l'installation du panneau.)



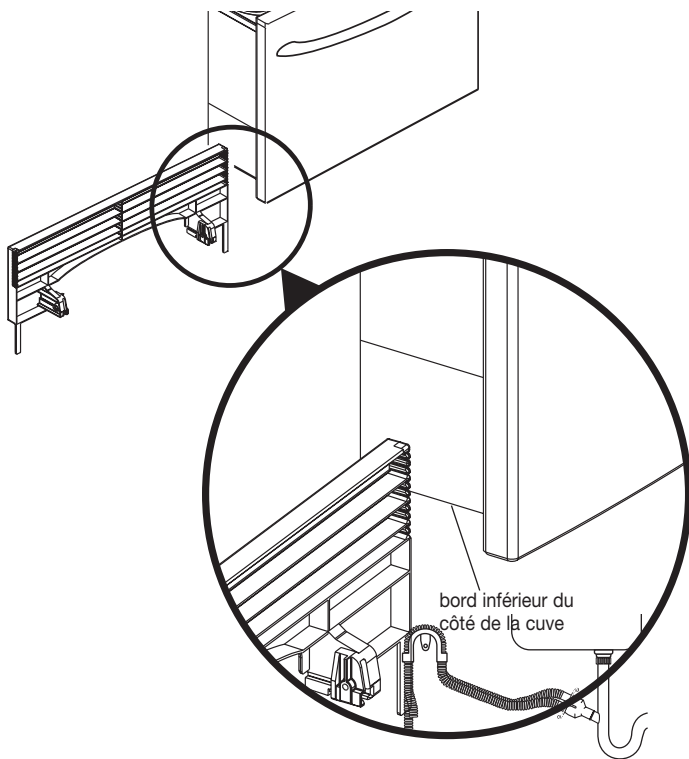
6. Pousser le panneau avant vers le bas pour provoquer l'accrochage.
7. Répéter les étapes 2 à 6 pour le panneau du tiroir supérieur.
8. Après une installation correcte, le panneau supérieur doit être aligné avec le sommet du lave-vaisselle - il doit y avoir un espace de $\frac{3}{8}$ " (9,5 mm) entre les panneaux supérieur et inférieur.

Option 1 : Installation de la planche de plinthe standard

NOTES : En fonction de la hauteur du plan de travail, il ne sera peut-être pas nécessaire de garnir la planche de plinthe.

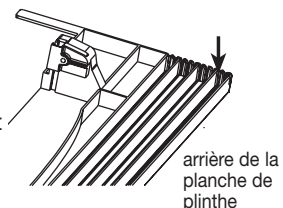
Des tapis placés devant le lave-vaisselle pourraient interférer avec la planche de plinthe. L'espace libre entre le plancher et la planche de plinthe doit tenir compte de l'épaisseur du tapis.

1. Ouvrir partiellement le tiroir inférieur.
2. Placer la planche de plinthe à l'envers, pour la tenir verticalement contre le bord inférieur du côté de la cuve (pas l'avant).
3. Sur la planche de plinthe, marquer la position du bord inférieur de la cuve.

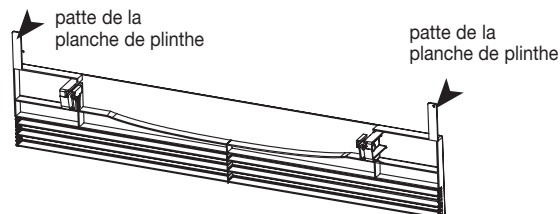


4. Sur une surface stable, placer la planche de plinthe sur une planche à découper en bois et choisir la rainure la plus proche du repère. Si le repère se trouve entre deux rainures, choisir celle qui permet d'obtenir la planche de plinthe la plus courte.

5. En se plaçant à la rainure choisie, utiliser un couteau utilitaire et couper la nervure verticale sur la longueur de la planche de plinthe jusqu'à ce que la pièce entière soit enlevée.

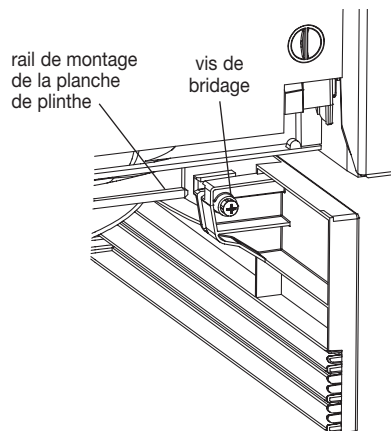


6. Briser les pattes de la planche de plinthe.



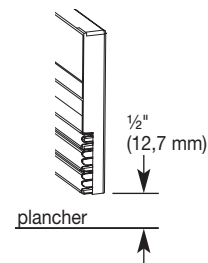
7. Utiliser un papier abrasif pour poncer et éliminer les bavures.

8. Ouvrir partiellement le tiroir inférieur. Positionner la planche de plinthe derrière la porte et faire glisser sur la face inférieure de la cuve.



9. Fermer le tiroir. Vérifier qu'il y a un espace libre de $\frac{1}{2}$ " (12,7 mm) ou plus entre le bord inférieur de la planche de plinthe et le plancher.

Si ce n'est pas le cas, retirer la planche de plinthe et réduire encore la taille de celle-ci (utiliser le couteau utilitaire). Éliminer les bavures sur l'arête de découpage.



10. Faire de nouveau glisser la planche de plinthe sur les rails de montage.

11. Si nécessaire, il suffit de pousser la planche de plinthe vers l'arrière ou vers l'avant sur le rail de montage.

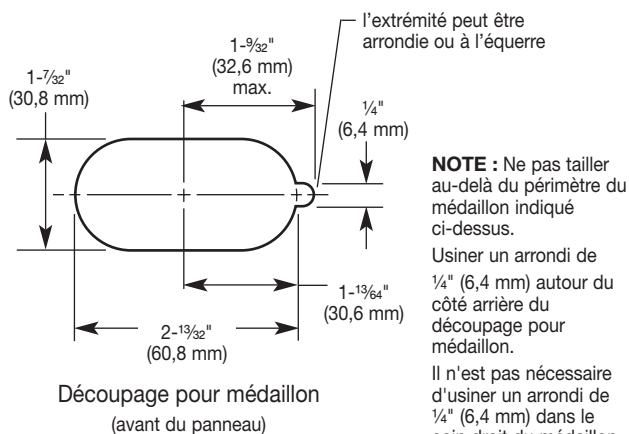
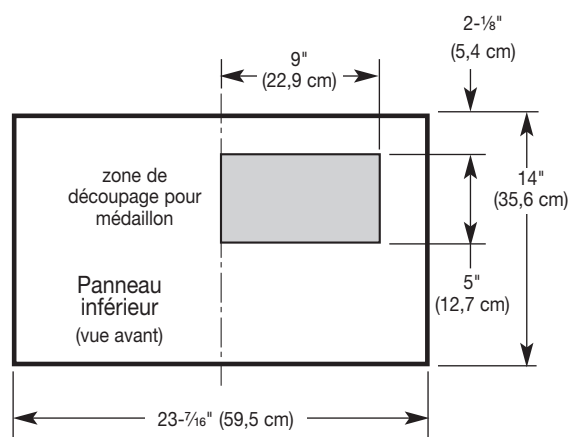
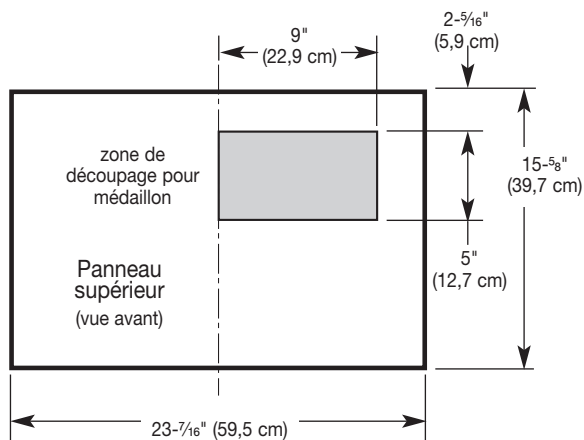
12. Avec un tournevis Phillips, serrer les vis de bridage de la planche de plinthe, des deux côtés.

13. Brancher le lave-vaisselle ou reconnecter la source de courant électrique.

14. Se reporter à la section "Achever l'installation".

Option 2 : Installation de panneaux avant personnalisés (sur certains modèles)

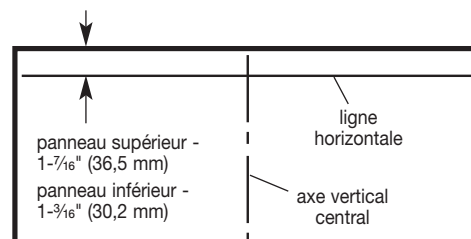
Dimensions des panneaux avant personnalisés



L'épaisseur minimum des panneaux supérieur et inférieur est de 5/8" (16 mm). On peut utiliser un matériau d'épaisseur supérieure à 1 1/16" (18 mm), mais la profondeur totale du produit augmentera en conséquence.

Le matériau utilisé pour la réalisation des panneaux avant personnalisés doit être adéquat pour un environnement humide ou avoir reçu une application adéquate de bouche-pores lui conférant une bonne résistance à l'humidité. L'emploi d'un matériau résistant à l'humidité assurera une protection additionnelle. La pose de ruban adhésif sur les chants peut ne pas produire l'étanchéité adéquate. Pour un panneau peint, peindre toutes les arêtes arrière pour améliorer l'étanchéité.

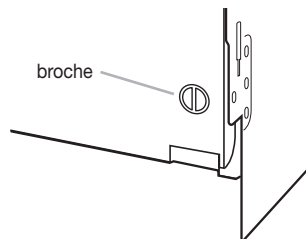
1. Préparer les panneaux avant personnalisés conformément aux spécifications. La largeur des panneaux peut être supérieure à celle du lave-vaisselle, pour un meilleur ajustement avec les placards adjacents.
 2. Mesurer et marquer l'emplacement de la poignée fournie par le client sur l'avant du panneau personnalisé. L'emplacement est choisi par le client. Ne pas installer la poignée à cette étape.
 3. Mesurer, marquer et couper un trou pour le médaillon en respectant les indications fournies.
- NOTE :** Le médaillon doit être placé dans la zone de découpage pour médaillon. Ne pas le placer à l'extérieur de la zone spécifiée.
4. Placer le panneau avant personnalisé sur un matériau de protection, face vers le bas.
 5. Sur la surface arrière du panneau personnalisé, usiner un arrondi de 1/4" (6,4 mm) autour du périmètre du médaillon. L'extrémité du médaillon n'a pas besoin d'être usinée.
 6. Sur les surfaces avant et arrière de chaque panneau, mesurer et tracer les lignes de positionnement verticale et horizontale.



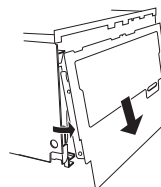
7. Monter la poignée sur le panneau personnalisé. Les vis ne doivent pas traverser la face arrière du panneau. Fraiser les trous.
8. Faire passer les conducteurs du médaillon à travers l'avant du panneau avant personnalisé; pousser le médaillon dans la cavité destinée à le recevoir.



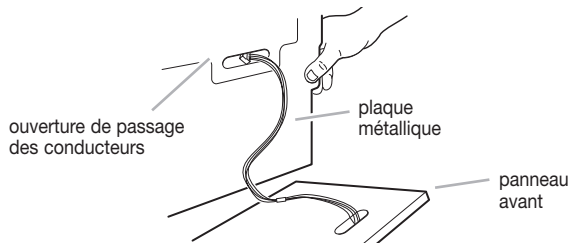
9. Ôter les broches de chaque côté du tiroir du lave-vaisselle – puis tirer les broches en ligne droite avec une pince à bec effilé.



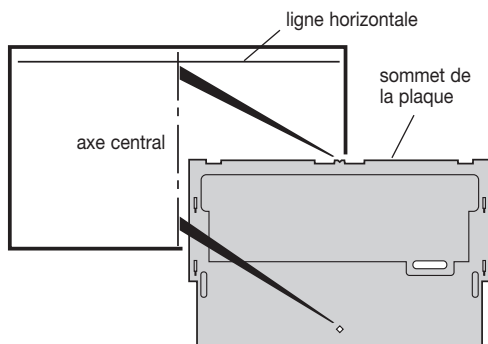
10. Tirer doucement sur le bas de la plaque métallique, pour l'écarter du lave-vaisselle, puis tirer vers le bas.



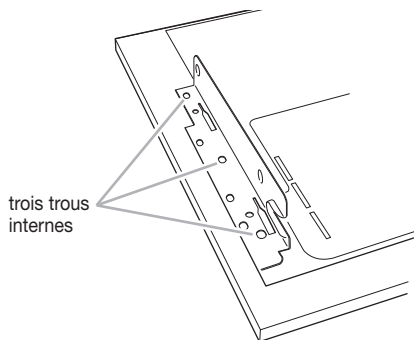
- Placer le panneau avant personnalisé face vers le bas.
- Faire passer les conducteurs du médaillon à travers l'ouverture destinée à cette fin dans la plaque métallique.



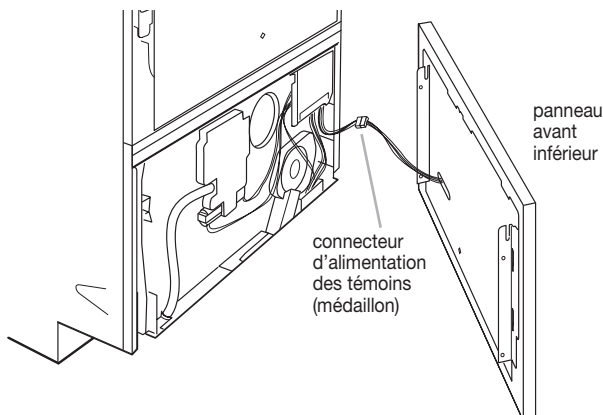
- Placer la plaque métallique sur la face arrière du panneau avant personnalisé.
- Aligner l'axe vertical tracé sur le panneau personnalisé avec le trou en losange et l'encoche de la plaque métallique pour réaliser le centrage horizontal de la plaque métallique. Aligner la ligne horizontale avec le sommet de la plaque métallique.



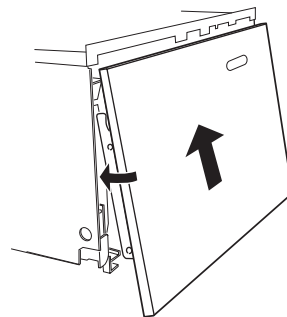
- À l'aide des vis fournies, fixer la plaque métallique au panneau avant à travers les trois trous internes (de chaque côté).



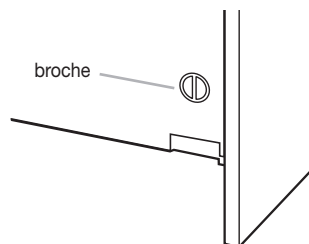
- Brancher le connecteur du médaillon sur le connecteur du lave-vaisselle.



- Aligner les crochets de la plaque métallique avec les encoches et fentes du lave-vaisselle; tirer doucement vers le haut pour réaliser le blocage.



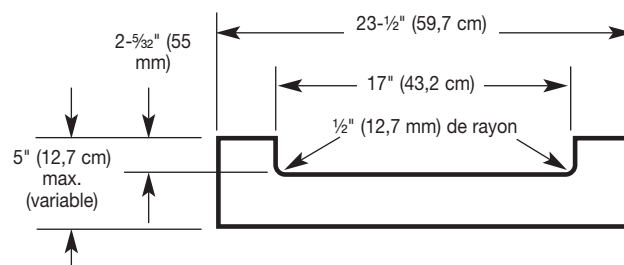
- Aligner les trous de la bride avec les trous des broches et réinstaller chaque broche de façon à ce que la ligne des broches soit verticale.



- Répéter les étapes 2 à 15 pour l'autre panneau personnalisé.

Option 2 : Installation d'une planche de plinthe personnalisée (sur certains modèles)

Dimensions de la planche de plinthe personnalisée



La planche de plinthe noire préfinie peut également être associée à une planche de plinthe personnalisée (épaisseur de $\frac{3}{8}$ " à $\frac{3}{4}$ " [9–19 mm]).

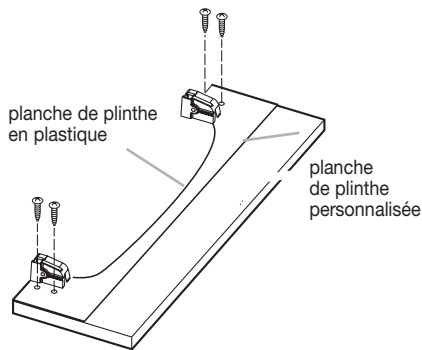
Déterminer la hauteur de la planche de plinthe personnalisée. La hauteur minimale est $2\text{-}\frac{3}{4}$ " (70,5 mm). Mesurer depuis le sommet de la porte de placard adjacente jusqu'au sol. Soustraire $28\text{-}\frac{15}{32}$ " (72,3 cm) pour obtenir la hauteur de la planche de plinthe.

NOTES : En fonction de la hauteur du plan de travail, il ne sera peut-être pas nécessaire de garnir la planche de plinthe.

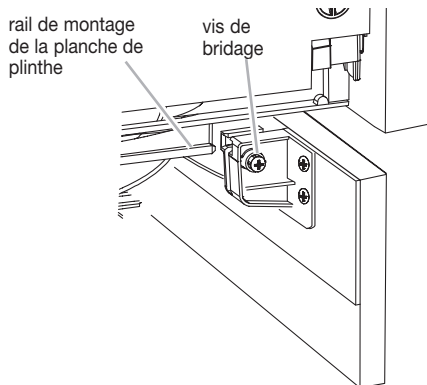
Des tapis placés devant le lave-vaisselle pourraient interférer avec la planche de plinthe. L'espace libre entre le plancher et la planche de plinthe doit tenir compte de l'épaisseur du tapis.

- Préparer la planche de plinthe personnalisée conformément aux spécifications ci-dessus.
- Placer la planche de plinthe face vers le bas.

3. Fixer la planche de plinthe en plastique noir sur l'arrière de la planche de plinthe personnalisée – vis fournies avec le lave-vaisselle.



4. Ouvrir partiellement le tiroir inférieur. Positionner la planche de plinthe personnalisée derrière la porte, faire glisser sur la face inférieure de la cuve.
5. Fermer le tiroir et faire glisser la planche de plinthe sur les rails de montage.
6. Si nécessaire, il suffit de pousser la planche de plinthe vers l'arrière ou vers l'avant sur le rail de montage.
7. Avec un tournevis Phillips, serrer les vis de bridage de la planche de plinthe, des deux côtés.



8. Brancher le lave-vaisselle ou reconnecter la source de courant électrique.

Achever l'installation

1. Vérifier que toutes les pièces sont maintenant installées. S'il reste une pièce, passer en revue les différentes étapes pour découvrir laquelle aurait été oubliée.
2. Vérifier que le lave-vaisselle est de niveau, bien attaché aux placards adjacents et ouvre et ferme librement sans résistance de la part des placards adjacents.
3. Vérifier que la connexion du tuyau d'alimentation au robinet d'arrêt est serrée d'un demi tour supplémentaire après l'avoir scellée.
4. Vérifier que les opercules arrachables des bouchons dans la connexion du tuyau de vidange ont été percés et que la connexion du tuyau de vidange a été effectuée.
5. Mettre l'appareil sous tension et ouvrir l'arrivée d'eau. Le lave-vaisselle doit émettre un signal sonore (bip); et les lampes témoins doivent s'allumer.
6. Ouvrir le tiroir; vérifier le fonctionnement du tableau de commande pour le programme de lavage.
7. Vérifier que la rampe d'aspersion est en place et peut tourner librement.
8. Sur le tableau de commande du programme de lavage, sélectionner l'opération de rinçage, et fermer le tiroir. Lancer le programme : appuyer sur le bouton Start/Resume (mise en marche/réinitialisation).
9. Après l'exécution du programme de rinçage, vérifier que le lave-vaisselle a fonctionné correctement et s'est correctement vidé.
10. Vérifier les circuits d'admission d'eau et évacuation; rechercher les indices de fuite au niveau des connexions.
11. S'assurer d'avoir récupéré tous les outils.
12. Jeter ou recycler tout le matériel d'emballage.
13. Lire la section "Utilisation du lave-vaisselle" dans le Guide d'utilisation et d'entretien du lave-vaisselle tiroir.

Si le lave-vaisselle ne fonctionne pas, contrôler ce qui suit :

- Fusible grillé ou desserré? Disjoncteur ouvert?
- Prise de courant correctement alimentée?
- Consulter la section "Dépannage" dans le Guide d'utilisation et d'entretien.