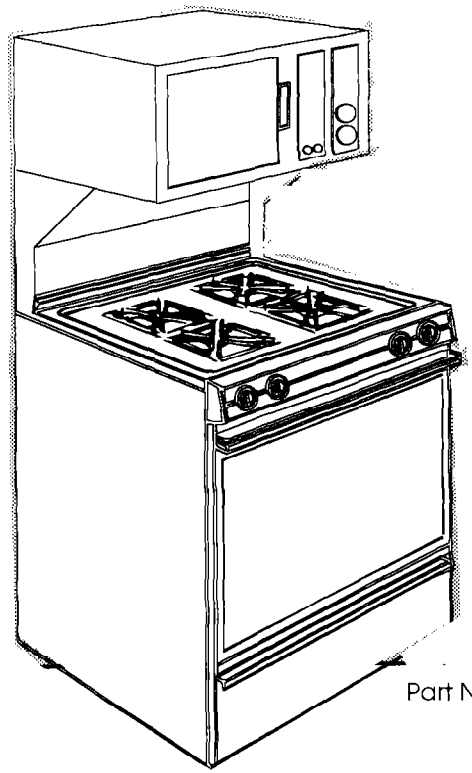


# Installation Instructions

	<b>⚠ WARNING</b>
	<ul style="list-style-type: none"><li>• ALL RANGES CAN TIP</li><li>• INJURY TO PERSONS COULD RESULT</li><li>• INSTALL ANTI-TIP DEVICE PACKED WITH RANGE</li><li>• SEE INSTALLATION INSTRUCTIONS</li></ul>



Part No. 316002926/4371016 Rev. B

**IMPORTANT:**  
Read and save  
these instructions.

- Important:**
- Installer:** Leave Installation Instructions with the homeowner.
- Homeowner:** Keep Installation Instructions for future reference.
- Save** Installation Instructions for local electrical inspector's use.

**30" Gas Eye-level  
Microwave Range  
with self-cleaning oven**



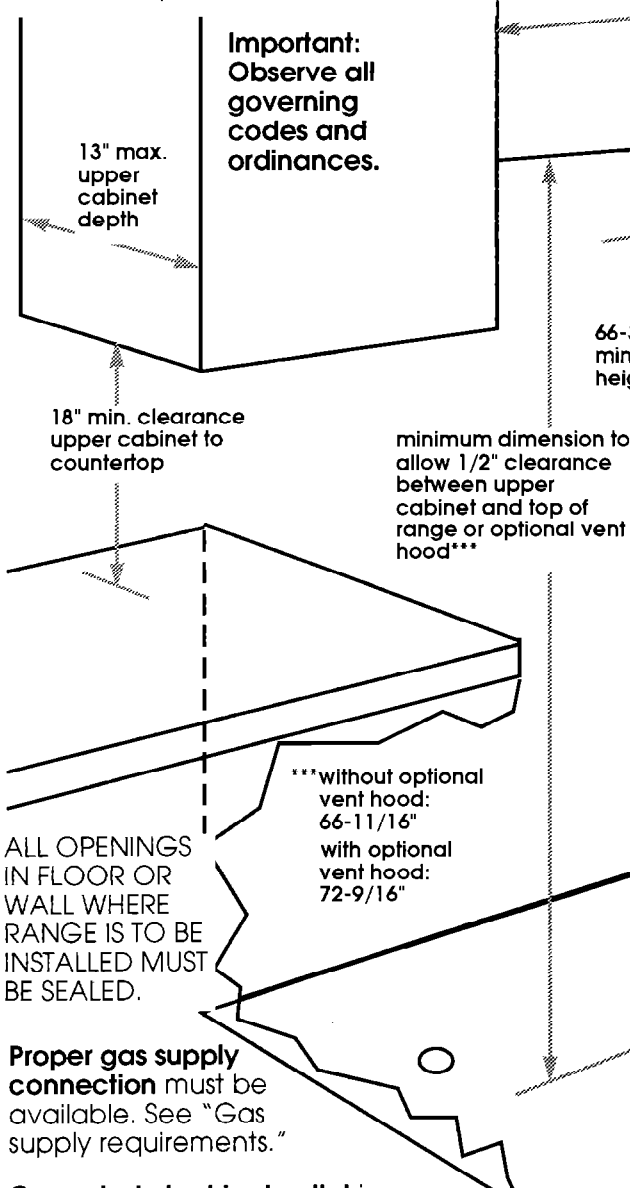
12-92

## Before you start...

Proper installation is your responsibility. A qualified technician should install this range. Make sure you have everything necessary for correct installation. It is the responsibility of the installer to comply with the installation clearances specified on the serial/rating plate. The serial/rating plate is located under the cooktop.

**Check location** where range will be installed. The location should be away from strong draft areas, such as windows, doors and strong heating vents or fans. The range should be located for convenient use in the kitchen.

**Cabinet opening dimensions** that are shown must be used. Given dimensions provide 0" clearance.



**Grounded electrical outlet** is required. See "Electrical requirements."

### Mobile home installation

The installation of this range must conform to the Manufactured Home Construction and Safety Standards, Title 24 CFR, Part 3280 (formerly the Federal Standard for Mobile Home Construction and Safety, Title 24, HUD Part 280); or when such standard is not applicable, the Standard for Manufactured Home Installations 1982 (Manufactured Home Sites, Communities and Setups), ANSI A225.1/NFPA 501A — 1987, or latest edition, or with local codes.

When this range is installed in a mobile home, it must be secured to the floor during transit. Any method of securing the range is adequate as long as it conforms to the standards listed above. Copies of the standards listed may be obtained from:

\* National Fire Protection Association  
Batterymarch Park  
Quincy, Massachusetts 02269

\*\* American Gas Association  
1515 Wilson Boulevard  
Arlington, Virginia 22209

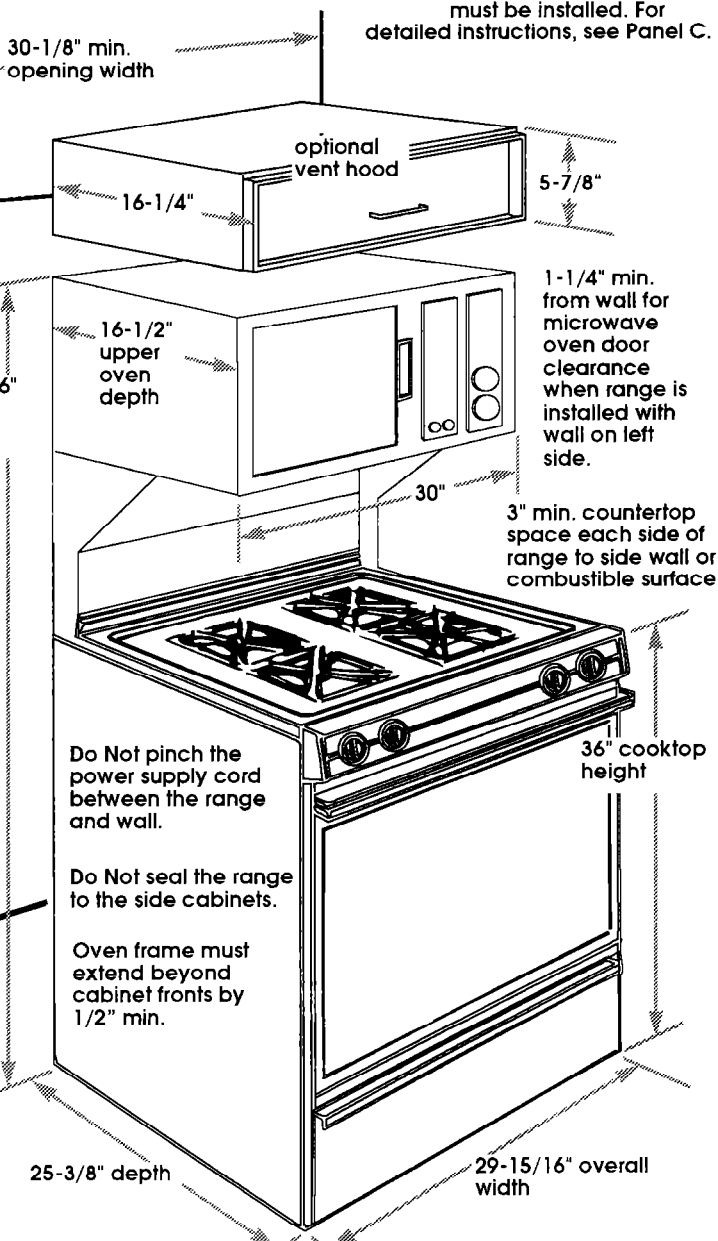
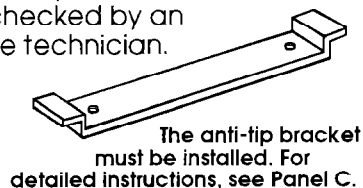
## CAUTION

### Property Damage

- Contact a qualified floor covering installer to check that the floor covering can withstand heat at least 90°F above room temperature.
  - Use an insulated pad or 1/4" plywood under range if installing range over carpeting.
- Failure to do so may result in damage to floor covering.

Note: Clearances specified are for combustible walls and materials that have a density of 20 or more pounds per cubic foot. No evaluation of clearances has been made for installations adjacent to materials that are less than 20 pounds per cubic foot or to plastic tiles and sheeting.

Remove all packing material from microwave oven cavity. Check the oven area for damage — see WARNING for excessive microwave energy exposure. If there is any damage, Do Not operate microwave oven until it is checked by an authorized Whirlpool service technician.



## WARNING

### Excessive Microwave Energy Exposure

- Do Not attempt to operate this microwave oven with the door open.
- Do Not tamper with or defeat the safety interlocks.
- Do Not place objects between the oven front face and the door.
- Do Not allow soil or cleaner residue to accumulate on the sealing surface of the microwave oven door.
- Do Not operate microwave oven if it is damaged.
- The microwave oven door must be closed properly to provide safe operation.
- Do Not use the microwave oven if the door is bent; hinges and latches are loose; or door seals, sealing surfaces or glass are broken.
- The microwave oven should only be adjusted and repaired by a qualified repair person.
- Have a qualified repair person check for microwave leakage after a repair is made.

Failure to use microwave oven except as instructed may result in exposure to excessive microwave energy.

### Electrical Shock Hazard

It is the customer's responsibility:

- To contact a qualified electrical installer.
- To assure that the electrical installation is adequate and in conformance with National Electrical Code, ANSI/NFPA 70 — latest edition\*, and all local codes and ordinances.

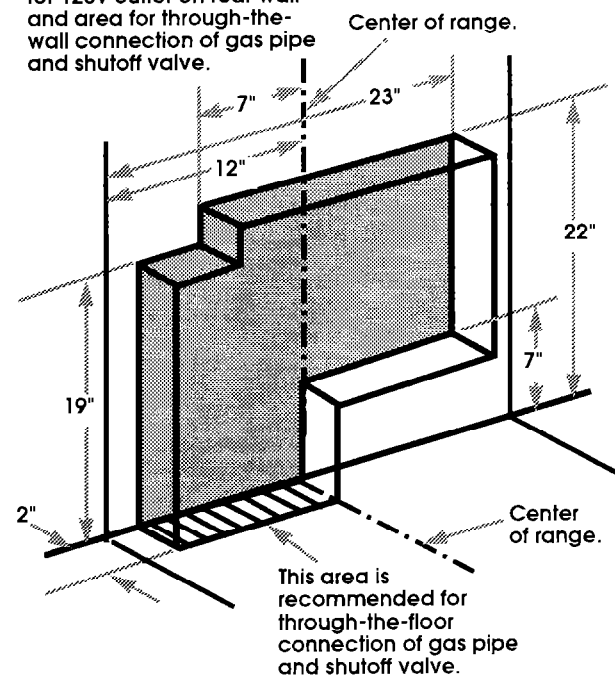
Failure to do so could result in electrical shock or other personal injury.

**WARNING: If the information in this manual is not followed exactly, a fire or explosion may result causing property damage, personal injury or death.**

- Do Not store or use gasoline or other flammable vapors and liquids in the vicinity of this or any other appliance.
- **WHAT TO DO IF YOU SMELL GAS**
  - Do Not try to light any appliance.
  - Do Not touch any electrical switch; Do Not use any phone in your building.
  - Immediately call your gas supplier from a neighbor's phone. Follow gas supplier's instructions.
  - If you cannot reach your gas supplier, call the fire department.
- Installation and service must be performed by a qualified installer, service agency or the gas supplier.

### Electrical and gas dimensions

Shaded area recommended for 120v outlet on rear wall and area for through-the-wall connection of gas pipe and shutoff valve.



## WARNING

### Fire Hazard

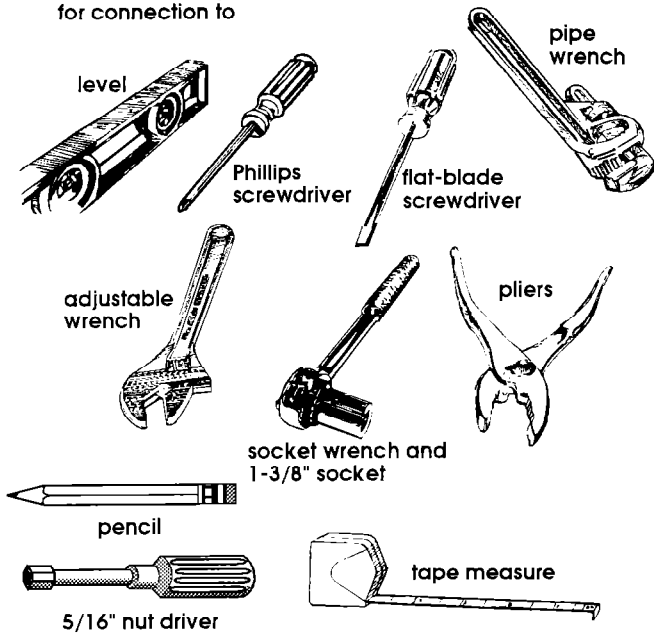
Do Not obstruct the flow of combustion and ventilation air. Failure to do so could result in fire, or personal injury.

- Take special care when cutting holes in wall. Electrical wires may be concealed behind the wall covering and contact with them could result in electrical shock.
- Locate any electrical circuits that could be affected by the installation of this product and disconnect power circuit.

Failure to do so could result in electrical shock.

## Tools and materials needed for installation:

- gas-line shutoff valve
- L.P.-resistant pipe-joint compound
- A.G.A. design-certified flexible metal connector (4-5 feet)
- flare union adapter for connection to pressure regulator (1/2" NPT x 1/2" or 3/4" I.D.)
- hand or electric drill
- wood floor: 1/8" drill bit
- concrete/ceramic floor: 3/16" carbide-tipped masonry drill bit



## Gas supply requirements

### WARNING

#### Fire Hazard

- Range must be connected to a regulated gas supply.
- L.P. gas supply must Not exceed a pressure of 14" water column. This must be checked by a qualified technician before installing this range.
- Do Not use an open flame to test for leaks from gas connections.
- New, A.G.A. design-certified gas line should be used when codes permit.

Failure to follow these instructions could result in a fire, explosion or personal injury.

**A.** The installation must conform with local codes and ordinances. In the absence of local codes, installations must conform with American National Standard, National Fuel Gas Code ANSI Z223.1-latest edition\*\*.

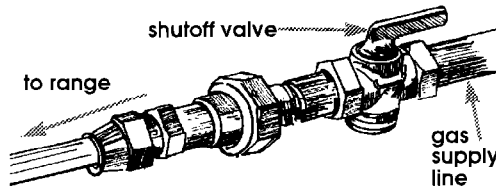
**B.** Input ratings shown on the serial/rating plate are for elevations up to 2,000 feet. For elevations above 2,000 feet, ratings are reduced at a rate of 4% for each 1,000 feet above sea level.

**C.** This range is equipped for use with NATURAL gas. It is design-certified by A.G.A. for NATURAL and L.P. gases with appropriate conversion. The serial/rating plate, located under the cooktop, has information on the type of gas that can be used. If this information does not agree with the type of gas available, check with local gas supplier. See Panel E for L.P. gas conversion instructions.

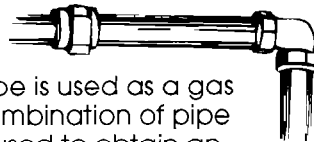
**D.** Provide a gas supply line of 3/4" rigid pipe to the range location. A smaller size pipe on long runs may result in insufficient gas supply. Pipe-joint compounds made for use with L.P. gas must be used. With L.P. gas, piping or tubing size can be 1/2" minimum. L.P. gas suppliers usually determine the size and materials used on the system.



**E.** If local codes permit, a new, A.G.A. design-certified, 4-5 foot long, 1/2" or 3/4" I.D., flexible metal appliance connector is recommended for connecting this range to the gas supply line. Do Not kink or damage the flexible connector when moving the range. A 1/2" male pipe thread is needed for connection to pressure regulator female pipe threads.



**F.** The supply line shall be equipped with an approved shutoff valve. This valve should be located in the same room as the range and should be in a location that allows ease of opening and closing. Do Not block access to shutoff valve.



**G.** If rigid pipe is used as a gas supply line, a combination of pipe fittings must be used to obtain an in-line connection to the range. All strains must be removed from the supply and fuel lines so range will be level and in line.

**H.** The regulator must be checked at a minimum of 1-inch water column above the set pressure. The inlet pressure to the regulator should be as follows for operation:

#### NATURAL GAS:

Set pressure 4 inches  
Maximum inlet pressure 14 inches

#### L.P. GAS:

Set pressure 10 inches  
Maximum inlet pressure 14 inches

#### I. Line pressure testing:

##### Testing above 1/2 psi (gauge)

The range and its individual shutoff valve must be disconnected from the gas supply piping system during any pressure testing of that system at test pressures greater than 1/2 psig (3.5kPa).

##### Testing at 1/2 psi (gauge)

The range must be isolated from the gas supply piping system by closing its individual manual shutoff during any pressure testing of the gas supply piping system at test pressures equal to or less than 1/2 psig (3.5 kPa).

## Electrical requirements

### WARNING

#### Electrical Shock Hazard

- Electrical ground is required on this appliance.
- If cold water pipe is interrupted by plastic, non-metallic gaskets or other insulating materials, Do Not use for grounding.
- Do Not ground to a gas pipe.
- Do Not modify the power supply cord plug. If plug will not fit the outlet, have a proper outlet installed by a qualified electrician.
- Do Not have a fuse in the the neutral or grounding circuit. A fuse in the neutral or grounding circuit could result in an electrical shock.
- Do Not use an extension cord with this appliance.
- Check with a qualified electrician if you are in doubt as to whether the appliance is properly grounded.

Failure to follow these instructions could result in serious injury or death.

If codes permit and a separate grounding wire is used, it is recommended that a qualified electrician determine that the grounding path is adequate.

A 120-volt, 60-Hz, AC-only, 20-ampere, fused electrical supply is required. A time-delay fuse or circuit breaker is recommend. It is recommended that a separate circuit serving only this appliance be provided.

Electronic ignition systems operate within wide voltage limits, but proper grounding and polarity are necessary. In addition to checking that the outlet provides 120-volt power and is correctly grounded, the outlet must be checked by a qualified electrician to see if it is wired with the correct polarity.

The wiring diagram is included in the literature package. The wiring diagram is also located behind the control panel.

## Recommended grounding method

For your personal safety, this appliance must be grounded. This appliance is equipped with a power supply cord having a 3-prong grounding plug. To minimize possible shock hazard, the cord must be plugged into a mating 3-prong grounding-type wall receptacle, grounded in accordance with National Electrical Code, ANSI/NFPA 70 — latest edition\*, and all local codes and ordinances. (See Figure 1.) If a mating wall receptacle is not available, it is the personal responsibility of the customer to have a properly grounded, 3-prong wall receptacle installed by a qualified electrician.

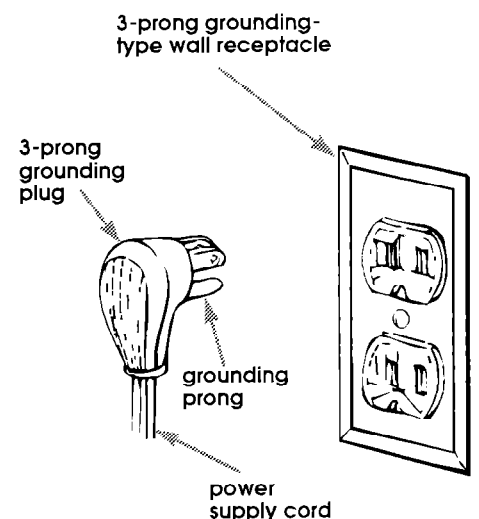


Figure 1

## Now start...

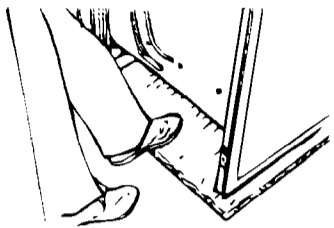
With range in kitchen.

1. Remove racks and other parts from inside oven.

### WARNING

#### Personal Injury Hazard

More than one person is required to lift, tilt or move this appliance because of its weight and size. Failure to follow these instructions could result in personal injury.



2. Place one foot on the shipping base. Tilt the range forward slightly to free rear legs. Tilt the range backwards until front legs are free.

3. Remove shipping materials, tape and protective film from range. Do Not remove cardboard shipping base at this time.

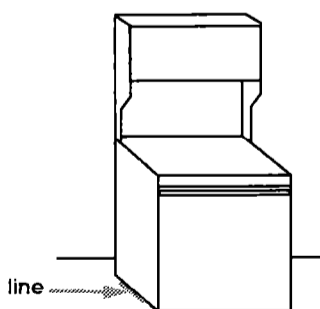
4. Lower leveling legs approximately 1/4" or to the point where the range base does not touch the floor. A minimum of 1/8" is required between the bottom of the range and the rear leveling legs.

### WARNING



- To prevent tipping, install range anti-tip bracket.
- Save these Installation Instructions. If range is moved to a new location, the anti-tip bracket must be removed and reinstalled in the new location.

5. If range will be installed with a cabinet on one or both sides, place template on the floor with the top edge against the rear wall, molding or cabinet, and sides of the template against the cabinet side wall(s).



If the range is Not installed against a cabinet, slide range into final location. Mark a line on the floor along sides of range about one-half the distance from the rear to the front. Slide the range out of location.

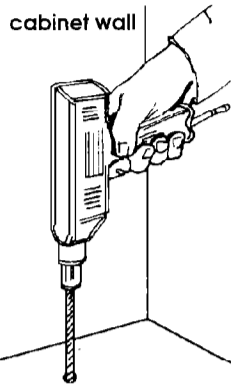
Place template on the floor with the top edge against the rear wall, molding or cabinet, and the sides of the template against the lines drawn for the sides of the range.

6. Use a pencil to mark the two mounting screw hole locations on the floor. Remove the template from position.

### CAUTION

- Floor Damage**
- Contact a qualified floor covering installer for the best procedure to drill mounting holes through your type of floor covering.
  - Before moving range across floor, check that range is on shipping base or slide range onto cardboard or hardboard.

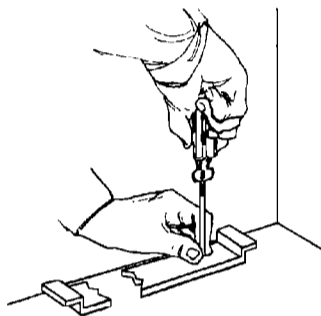
Failure to follow these instructions may result in damage to floor covering.



7. To mount anti-tip bracket to wood floor, drill a 1/8" hole at each mounting screw location.

To mount anti-tip bracket to concrete or ceramic floor, use a masonry drill bit to drill a 3/16" hole at each mounting screw location. Tap plastic anchors into mounting holes in floor with hammer.

8. Line up holes in anti-tip bracket with holes in floor. Use the screws provided to fasten the anti-tip bracket to floor.



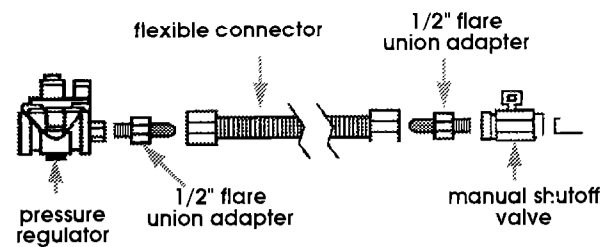
9. Move range close to final position. Remove the shipping base, cardboard or hardboard from under the range.

10. Remove storage drawer. Set the drawer on a protected surface.

### WARNING

#### Fire Hazard

Do Not make connection too tight. The regulator is die cast. Overtightening may crack the regulator, resulting in a gas leak and possible fire or explosion.



All connections must be wrench-tightened.

11. Assemble the flexible connector from the gas supply pipe to the pressure regulator in this order: shutoff valve, 1/2" flare union adapter, flexible connector, 1/2" flare union adapter.

12. Use pipe-joint compound made for use with L.P. gas to seal all gas connections. If flexible connectors are used, be certain connectors are not kinked.

13. Open the shutoff valve in the gas supply line. Wait a few minutes for the gas to move through the gas line.

### WARNING

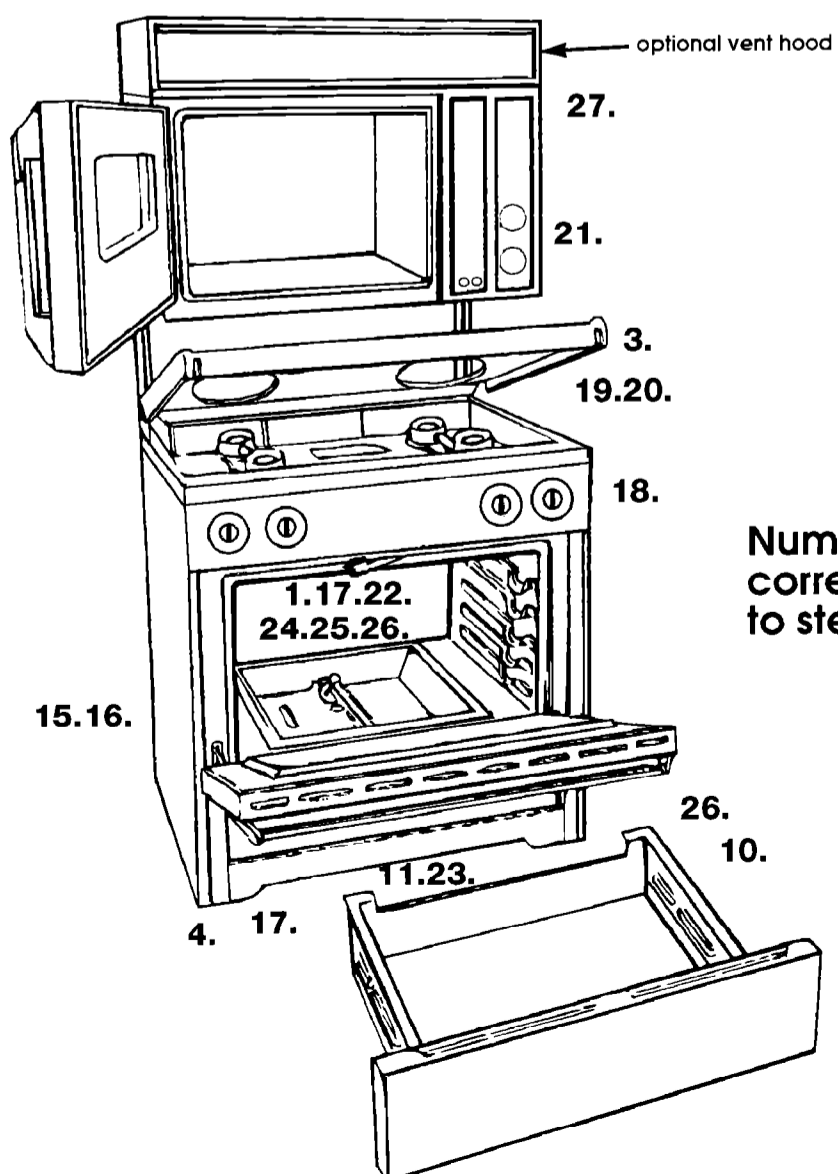
#### Fire Hazard

Do Not use an open flame to test for leaks from gas connections. Checking for leaks with a flame may result in a fire or explosion.

14. Use a brush and liquid detergent to test all gas connections for leaks. Bubbles around connections will indicate a leak. If a leak appears, shut off gas valve controls and adjust connections. Then check connections again. NEVER TEST FOR GAS LEAKS WITH A MATCH OR OTHER FLAME. Clean all detergent solution from range.

15. Plug the power supply cord into grounded outlet. Move range into final position. Look underneath range (a flashlight may be needed) to check that the rear leveling legs are engaged in the anti-tip bracket.

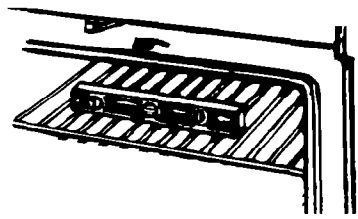
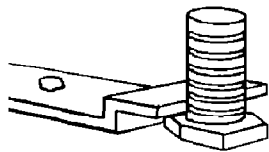
If leveling legs are not properly engaged, remove and reposition the bracket to insure that both leveling legs fit properly in the bracket.



Numbers correspond to steps.

## 16.

If installing the range in a mobile home, you **MUST** secure the range to the floor. Any method of securing the range to the floor is adequate as long as it conforms with the standards listed in the Mobile home installation instructions, Panel A.



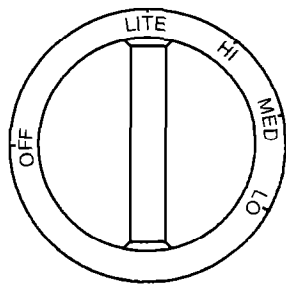
## 17.

Place rack in oven. Place level on rack, first side to side; then front to back. If range is not level, pull range forward until rear leveling leg is removed from bracket. Adjust the leveling legs up or down until range is level. Push range back into position. Check that rear leveling legs are engaged in the anti-tip bracket.

Note: Oven must be level for satisfactory baking conditions.

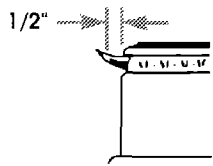
### Electronic Ignition System — Initial lighting and gas flame adjustments.

Cooktop and lower oven burners use electronic igniters in place of standing pilots. When the cooktop control knob is turned to "LITE" position, the system creates a spark to light the burner. This sparking continues until the control knob is turned to the desired setting. When the oven control is turned to the desired setting, a glow bar heats up bright orange and ignites the gas. No sparking occurs and the glow bar remains on while the burners operate.



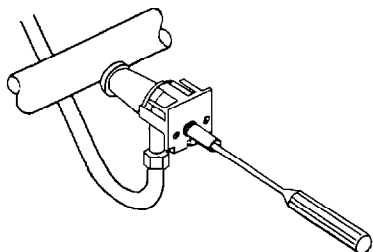
## 18.

Check operation of the cooktop burners. Push in and turn each control to the "LITE" position. The flame should light within 4 seconds. **Do Not leave the knob in the "LITE" position after the burner lights.**



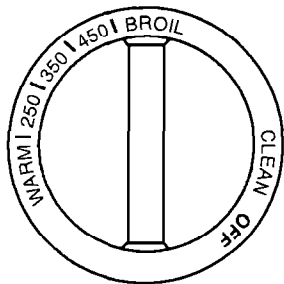
## 19.

After the burner lights, turn control knob to "HI" position. Check each cooktop burner for proper flame. At the "HI" position, the small inner cone should have a very distinct blue flame 1/2" long. The outer cone is not as distinct as the inner cone.



## 20.

Push in and turn each control knob to the "LITE" position and then to the low position. The low flame should be a minimum, steady, blue flame. To adjust the flame, remove the control knob and turn the adjustment screw in the center of the valve stem until a minimum, steady, blue flame is produced. Check the adjustment by turning the the control knob from "HI" to low several times. The burner is properly adjusted when the low flame remains steady and the burner does not go out. Check each burner.



## 21.

Check the operation of the oven burner. Remove oven rack. Remove oven screws at rear of oven bottom. Pull oven bottom rear up and remove front of oven bottom from oven front. Remove oven bottom. Remove baffle. Push in and turn the oven selector knob to "BAKE." Push in and turn the oven control knob to 300°F. **The oven burner should light in 50 to 60 seconds. This delay is normal.** The oven safety valve requires a certain time before it will open and allow gas to flow.



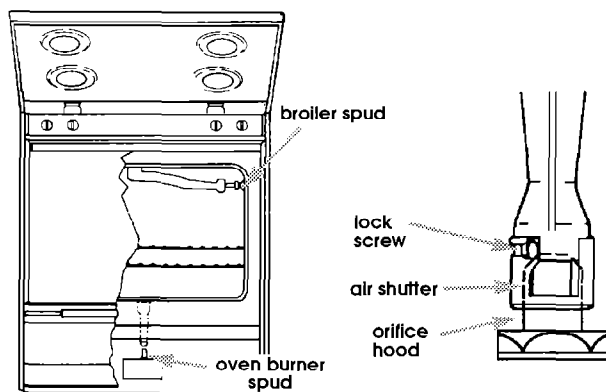
### CAUTION

#### Product Damage

- Do Not insert any object into the openings of the protective shield that surrounds the ignitor coil.
  - Do Not clean the area.
- Failure to follow these instructions could result in product damage.

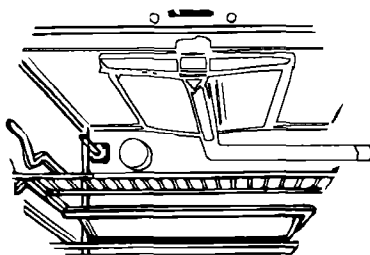
## 22.

Check the oven burner for proper flame. This flame should be 1/2" long with an inner cone of bluish-green, an outer mantle of dark blue and should be clean and soft in character. No yellow tips, blowing or lifting of the flame should occur.



## 23.

If oven flame needs to be adjusted, locate the air shutter near the center rear of the range. Loosen screw and adjust the air shutter until the proper flame appears. Tighten screw.



## 24.

Check the operation of the oven broil burner. Push in and turn the oven control knob to the "BROIL" position. **The oven broil burner should light in 50 to 60 seconds. This delay is normal.** The oven safety valve requires a certain amount of time before it will open and allow gas to flow. The flame should have a 1-inch long inner cone of bluish-green with an outer mantle of dark blue. The flame should be clean and soft in character with no blowing or lifting of the flame.

## 25.

If the broiler flame needs adjustment:

1. Turn oven off.
2. Loosen the lock screw on the air shutter located at the rear of the broil burner and adjust the air shutter. Turn oven back on and check flame. Repeat as needed until proper flame appears. Tighten the lock screw.

## 26.

Replace oven burner baffle, oven bottom, oven rack and storage drawer.



### WARNING

#### Personal Injury/Property Damage Hazard

- Handle heated water with care. Mishandling hot water or steam could result in serious burn.
- Maintain at least 1/2 quart (or 1/2 liter) of water in container when testing operation of microwave oven.

Failure to maintain proper water level could result in damage to container.

## 27.

Check the operation of the microwave oven.

- Fill microwave-safe container with one quart of water and place container inside microwave oven. Close door firmly.
- Set microwave oven cooking time to ten minutes.
- Press the "START" pad. The interior microwave oven light should be on and the remaining cooking time should be displayed.
- When display reads "5:00," open microwave oven door. The microwave oven should stop cooking.
- Close the door firmly. The interior microwave oven light should turn off.
- Press the "START" pad. Microwave oven should begin cooking and the microwave oven interior light should be on.
- Repeat opening and closing of microwave oven door several times during the remaining cooking time.
- Let the microwave oven complete cooking time. A tone will sound for two seconds at the end of the cooking time and microwave oven will shut off.
- Open microwave oven door and carefully remove container. Water in container should be hot.

You have just finished installing your new Whirlpool microwave eye-level range. To get the most efficient use from your new range, read your Whirlpool Use and Care **Congratulations!**

Guide. Keep Installation Instructions and Guide close to range for easy reference. The instructions will make installing your Whirlpool range in another home as easy as the first installation.

# L.P. gas conversion

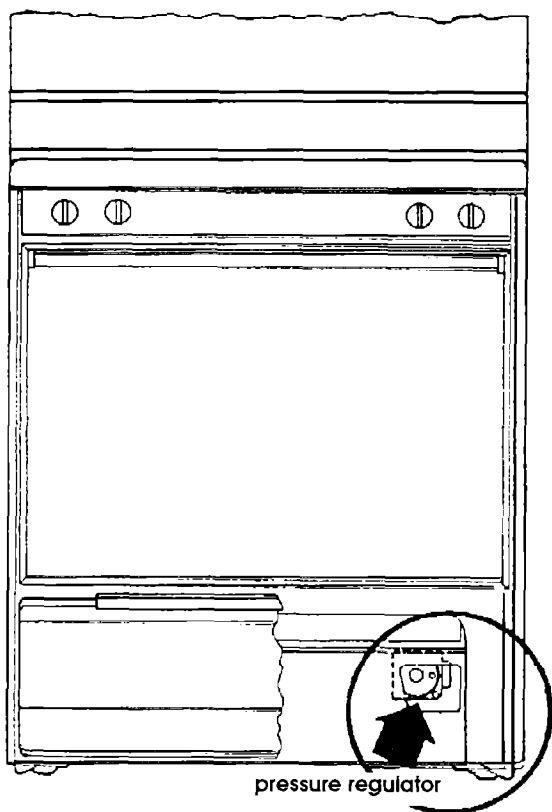
## WARNING

### Fire Hazard

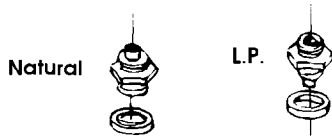
- Locate gas supply valve between pressure regulator and gas valve. Shut off gas supply valve in range before converting to L.P. gas.
  - Make all cooktop, oven and broil burner conversions before turning gas supply valve back on.
  - Do Not use an open flame to test for leaks from gas connection.
- Failure to follow these instructions could result in a fire, explosion or personal injury.

### Converting to L.P. gas

Converting L.P. gas should be done by a qualified installer.

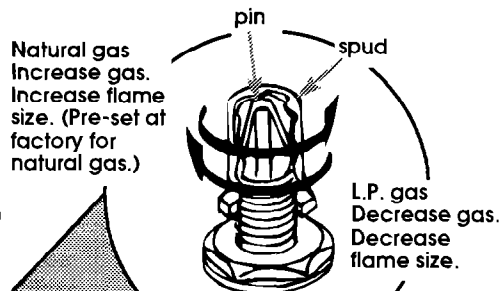


pressure regulator



### A. Pressure regulator:

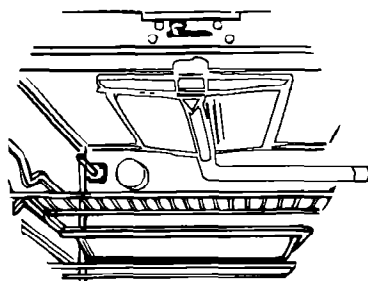
Remove storage drawer and oven rack. Remove oven bottom and baffle. See Step 21. Use a wrench to unscrew the cap from the top by turning counterclockwise. Turn the cap over so the hole end is up. Replace the cap and gasket on the regulator. **DO NOT REMOVE THE PRESSURE REGULATOR.**



Natural gas  
Increase gas.  
Increase flame size. (Pre-set at factory for natural gas.)

L.P. gas  
Decrease gas.  
Decrease flame size.

**B. Cooktop burners:** Turn the orifice hoods down snug onto pins (approximately 2 to 2-1/2 turns). **DO NOT OVERTIGHTEN.** The burner flames will not be properly adjusted if this conversion is not made.



**C. Broil burner:** Turn the orifice hoods down snug onto pins (approximately 2 to 2-1/2 turns). **DO NOT OVERTIGHTEN.**

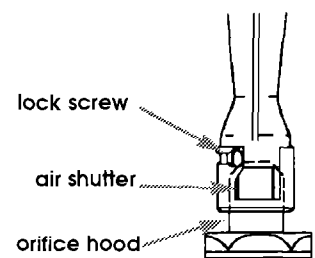
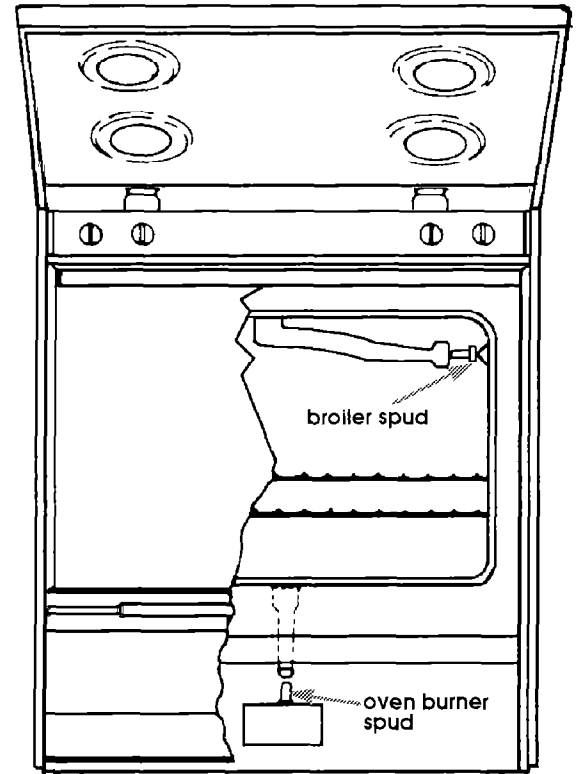
**D. Oven burner:** Turn the orifice hood down snug onto pin (approximately 2 to 2-1/2 turns). **DO NOT OVERTIGHTEN.** The burner flame cannot be properly adjusted if this conversion is not made.

## Adjusting for proper flame

## CAUTION

### Product Damage

- Electronic ignitors are used to light the oven and broil burners. Do Not insert any object into the openings of the shield surrounding the ignitor coil.
  - Do Not clean this area.
- Failure to follow these instructions could result in product damage.



lock screw

air shutter

orifice hood

**A.** After all burners have been converted, turn the range gas supply valve back on.

**B. Cooktop burners:** No burner adjustment can be made.

**C. Broil burner:**

1. Loosen the lock screw on the air shutter located at the rear of the broil burner.
2. Adjust the air shutter as needed. The flame should have a 1" long inner cone of bluish-green with an outer mantle of dark blue. The flame also should be clean and soft in character with no blowing or lifting of flame. Tighten the lock screw.

**D. Oven burner:** Locate the air shutter near the center rear of the oven burner. Loosen screw and adjust the air shutter as needed. The flame should have a 1" long, inner cone of bluish-green, with an outer mantle of dark blue. The flame also should be clean and soft in character with no blowing or lifting of flame. Tighten screw.

**E.** Replace the oven bottom, oven racks, baffle and storage drawer. Reinstall cooktop and burner grates.

After installation is complete, make sure all controls are left in the "OFF" position. Make sure the air flow from the oven vent and the air flow to the bottom front of range are unobstructed.

## If range does not operate...

- Check that the circuit breaker is not tripped or the house fuse blown.
- Check that the power supply cord is plugged into the wall receptacle.
- Check that the gas supply is turned on.

**NOTE: Refer to Use and Care Guide for operating instructions and cleaning instructions.**

## For cleaning and maintenance...

If removing the range is necessary for cleaning or maintenance, shut off gas supply to the range. Disconnect the gas and electric supply.

If the gas or electrical supply is inaccessible, slide the range out away from the wall. Slide the range out only as far as necessary to disconnect the gas and electric supply lines.

After disconnecting the gas and electric supply, remove the range to complete cleaning or maintenance.

Move range back into operating position. Remove drawer or look underneath range (a flashlight may be needed). Check that leveling legs are engaged in the anti-tip bracket. If leveling legs are not properly engaged, remove and reposition bracket to insure that leveling both legs fit properly in bracket.

Level range. Connect gas line to range and check for leaks. Plug electric power supply cord into outlet.



### WARNING

#### Personal Injury Hazard

**Do Not step, lean or sit on the range or door or the drawer of the range.**

**Failure to follow this instruction could result in personal injury and/or product damage.**



## If you need assistance...

The Whirlpool Consumer Assistance Center will answer any questions about operating or maintaining your range not covered in the Installation Instructions. The Whirlpool Consumer Assistance Center is open 24 hours a day, 7 days a week. Just dial (800) 253-1301 — the call is free.

When you call, you will need the range model number and serial number. Both numbers can be found on the serial/rating plate located under the cooktop.

## If you need service...

In the event that your Whirlpool appliance should need service, call the dealer from whom you purchased the appliance or a Whirlpool-authorized service company. A Whirlpool-authorized service company is listed in the Yellow Pages of your telephone directory under "Appliances — Household — Major — Service or Repair". You can also obtain the service company's name and telephone number by dialing, free, within the continental United States, the Whirlpool Consumer Assistance Center telephone number, (800) 253-1301. A special operator will tell you the name and number of your nearest Whirlpool-authorized service company.

Maintain the quality built into your Whirlpool appliance — call a Whirlpool-authorized service company.