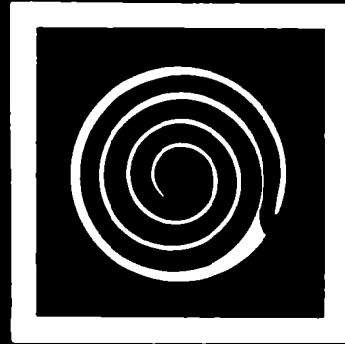


Installation Instructions



for
your new



Whirlpool

ELECTRIC BUILT-IN OVEN

DOUBLE OVEN MODEL

with

MICROWAVE UPPER OVEN

BEFORE YOU BEGIN, READ THE FOLLOWING INSTRUCTIONS COMPLETELY AND CAREFULLY. THEY WILL SIMPLIFY THE INSTALLATION.

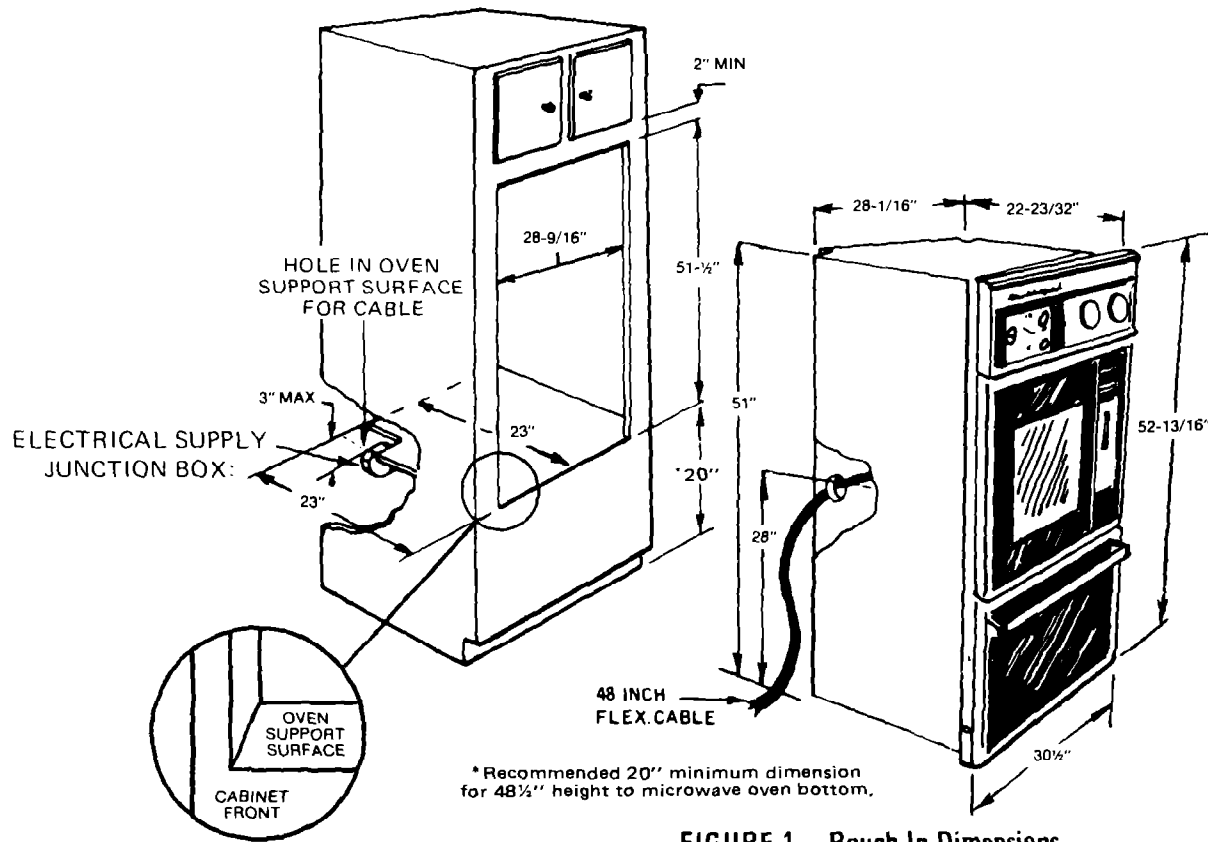


FIGURE 1 – Rough-In Dimensions

SEE NOTE 1

CARPENTRY

Refer to Figure 1 for the dimensions of the oven and the space necessary to receive the oven. The oven support surface may be solid plywood or similar material but the contact surface must be level from side to side and from front to rear. This surface is 2¾" below the open lower door height.

NOTE 1: The oven support surface must be flush with the bottom of the cabinet cut out.

ELECTRICAL REQUIREMENTS

OBSERVE ALL GOVERNING CODES AND ORDINANCES

A. A three-wire or four-wire, single phase, 120/240 Volt, 60 Hz, AC only electrical supply is required on a separate circuit fused on both sides of the line (time delay fuse or circuit breaker is recommended). Do NOT fuse neutral. The fuse size must not exceed the circuit rating of the appliance as specified on the nameplate.

NOTE: Wire sizes and connections must conform with the fuse size and rating of the appliance in accordance with the National Electrical Code and local codes and ordinances. Do not use an extension cord.

B. The appliance should be connected to the fused disconnect (or circuit breaker) box through flexible armored or non-metallic sheathed cable. The flexible armored cable extending from the appliance should be connected directly to the junction box. The junction box should be located as shown in Figure 1 so that as much slack as possible remains in the cable between the box and the appliance so that it can be moved if servicing is ever necessary.

C. A suitable strain relief must be provided to attach the power supply cord to the junction box.

ELECTRICAL CONNECTION

It is the personal responsibility and obligation of the customer to contact a *qualified installer* to assure that the electrical installation is adequate and is in conformance with the National Electrical Code and local codes and ordinances.

Electrical ground is required on this appliance. This appliance is equipped with copper lead wires. If the connection is made to aluminum house wiring, use only special connectors which are approved for joining copper and aluminum wires, in accordance with the National Electrical Code and local codes and ordinances.

This appliance is manufactured with a white neutral power supply wire and a frame connected green ground wire.

1. If local codes permit connection of the frame grounding conductor to the neutral (white wire), connect the green and white wire from the supply cable of the appliance together and to the neutral (white) wire in the junction box. Connect the remaining wires from the supply cable, matching the colors, to the wires in the junction box.
2. If local codes DO NOT permit frame grounding to the neutral, separate the white and green wires that extend out of the end of the supply cable of the appliance. Connect the white wire from the supply cable to the neutral wire in the junction box. Connect the black and red wire from the supply cable, matching the colors, to the corresponding wires in the junction box. The green wire must now be used to ground the appliance in accordance with local electrical codes. Connect the green ground wire to a grounded cold water pipe * or to the grounded lead in the service panel. Do not ground to a gas supply pipe. Do not connect to electric power supply until appliance is permanently grounded. Connect the ground wire before turning on the power. See Figure 2.

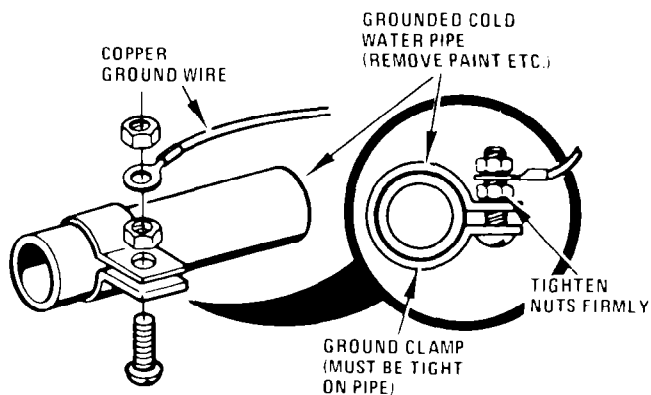


Figure 2

*Cold water pipe must have metal continuity to electrical ground and not be interrupted by plastic, rubber or other electrically insulating connectors (including water meter or pump) without adding a jumper wire at these connections.

CAUTION: If connecting to a four-wire electrical system (Mobile Home), the appliance frame MUST NOT be connected to the neutral wire of the four-wire electrical system. Separate the white and green wires that extend out of the end of the supply cable of the appliance. Connect the white, red and black wires from the supply cable, matching the colors, to the corresponding wires in the junction box. Connect the green wire from the supply cable to the ground wire in the junction box.

WARNING

- A. **THIS MICROWAVE OVEN IS DESIGNED FOR USE IN THE HOUSEHOLD ONLY AND MUST NOT BE USED FOR COMMERCIAL PURPOSES.**
- B. **Remove all packing material from the oven cavity. When unpacking the unit, check for damage such as misaligned door, damaged gaskets around the door, or dents inside the oven or on the exterior. If there is any damage, please do not operate the unit until it has been checked by an authorized Whirlpool service technician and any repairs made, if necessary.**
- C. **Do not remove the outer case, door, or control panel at any time. The unit is equipped with high voltage and should not be handled unless by an authorized Whirlpool trained service technician.**

INSTALLATION

Insert appliance into cut-out. Screws are provided for fastening the front frame of the appliance to the cabinet.

CAUTION: For your personal safety, and to minimize potential personal injury, this oven must be securely fastened to the cabinet, using the eight screws that are provided.

To fasten the upper front frame to the cabinets the microwave oven trim must be removed.

To remove the trim:

1. Remove the four trim mounting screws. See Figure 3.

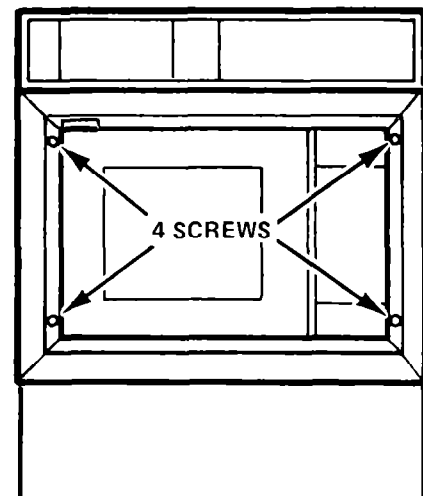


Figure 3

2. Rotate the end of trim that is nearest the microwave oven control panel outward.
3. Slide the trim to the left so that it clears the upper microwave oven door hinge. See Figure 4.

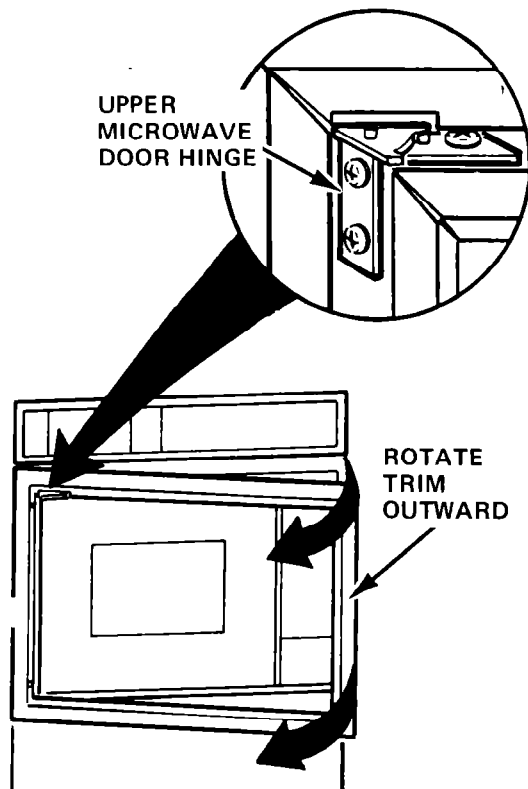
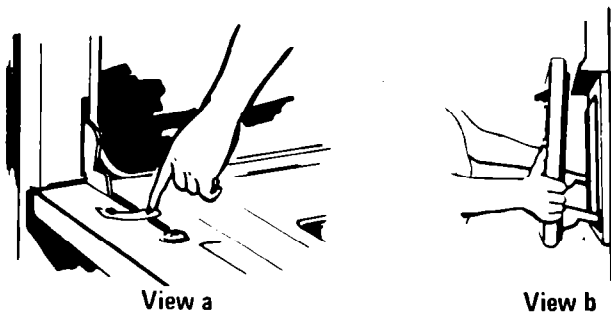


Figure 4

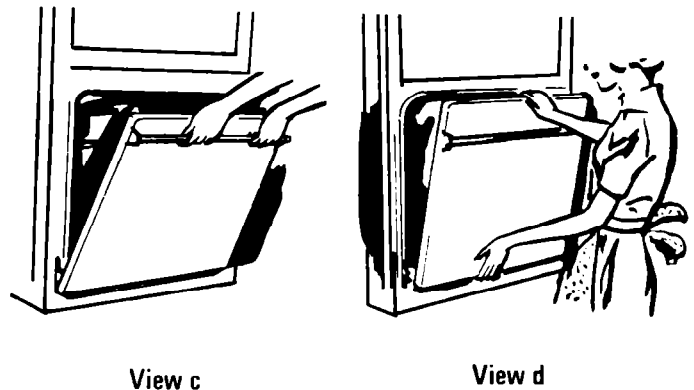
4. The mounting holes in the front frame of the appliance may be used as a template to locate the appliance mounting screw holes.
5. After the built-in oven is fastened to the cabinet, make sure to replace the microwave oven trim frame.

TO REMOVE LOWER OVEN DOOR



1. Open door fully.
2. Swing the 2 clips located on door in front of hinges so they cross over the hinge slots (View a).
3. Close the oven door slowly until you feel it stop.
4. Lift up slightly, allowing the bottom of the door to swing out (View b). Note that the top of the door must be tilted toward the oven at this point to allow hinge arms to swing free. If appliance is so located that you cannot grasp both sides of the door, you may grasp the door by handle (View c) and follow same procedure outlined above.

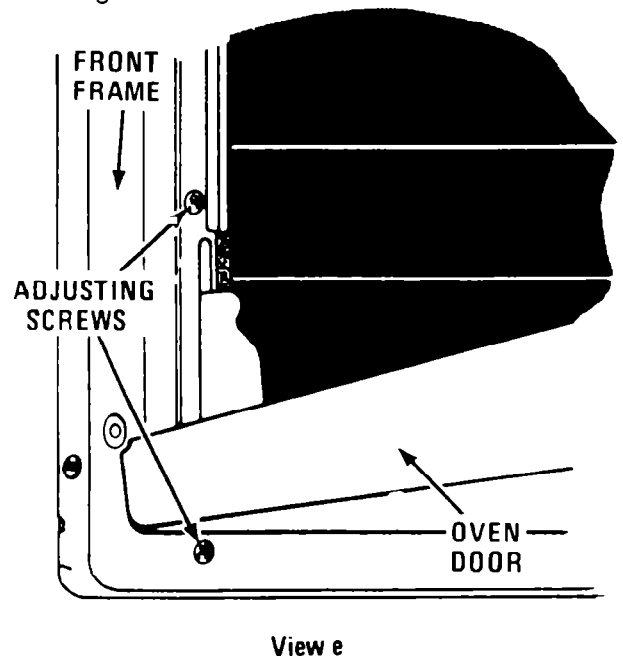
TO REPLACE OVEN DOOR



1. Grasp door by sides (View b) or by handle and align hinge arms on door with TOP of slot in oven sides.
2. Tilt top of door toward the oven (View b) and allow door to "ride" into position. A slight lifting and inward pressure toward the bottom of the door will make sure it seats properly (View d).
3. Open door fully and swing the clips away from the slots (View a).

DOOR ADJUSTMENT (If Needed)

1. Open oven door and loosen the upper adjusting screw (see View e) on the side that needs adjustment.
2. Close oven door and loosen the lower adjusting screw.
3. Adjust door up and down as needed.
4. Retighten the lower adjusting screw.
5. Open oven door and retighten the upper adjusting screw.
6. Close oven door and double check for proper door alignment.



View e


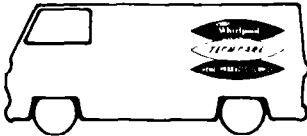
PRECAUTIONS TO AVOID POSSIBLE EXPOSURE TO EXCESSIVE MICROWAVE ENERGY

- A. Do not attempt to operate this oven with the door open since open-door operation can result in harmful exposure to microwave energy. It is important not to defeat or tamper with the safety interlocks.
- B. Do not place any object between the oven front face and the door or allow soil or cleaner residue to accumulate on sealing surfaces.
- C. Do not operate the oven if it is damaged. It is particularly important that the oven door close properly and that there is no damage to the:
 - 1. Door (bent)
 - 2. Hinges and latches (broken or loosened)
 - 3. Door seals and sealing surfaces.
- D. The oven should not be adjusted or repaired by anyone except properly qualified service personnel.
- E. The oven should be checked for microwave leakage by qualified service personnel after a repair is made.
- F. Do not operate the oven if the door glass is broken.

CHECKING

- A. **MICROWAVE OVEN**
Refer to Use and Care Guide for details.
- B. **THERMOSTAT—LOWER OVEN**
CAUTION: Do not touch the elements. They may be hot and you may get burned.
 - 1. Preheat—Turn selector switch to PREHEAT and set the thermostat to 350° BAKE temperature. The bottom oven element should become red and the indicator light should glow. The upper oven element should become hot but NOT become red.
 - 2. Broil—Turn selector switch to BROIL and set thermostat to a high temperature position. The top element should become cherry red and the indicator light should glow.
 - 3. Bake—Turn selector switch to BAKE and set thermostat to 350°. The bottom element should become red and the indicator light should glow.
- C. **CLOCK**
Refer to the Owner's Manual for proper operation of the clock.
- D. **ROTISSERIE** (if optional kit has been installed)
 - 1. Position the spit bar on special rack.
 - 2. Insert the point of spit bar into hole in the back of the oven.
 - 3. Rotation starts upon insertion of spit bar.

**AFTER COMPLETING THE INSTALLATION, SAVE
THESE INSTRUCTIONS FOR FUTURE USE.**

	<p>In the event your WHIRLPOOL appliance should need service, call the dealer from whom you purchased the appliance or a WHIRLPOOL franchised TECH-CARE® service company. He is in the Yellow Pages of your telephone directory listed under Washers, Dryers—Repairing or Servicing. You can also obtain his name and number by dialing, free, within the continental United States (except Alaska) the Whirlpool COOL-LINE® Service (800) 253-1301 [when calling from Michigan, dial (800) 632-2243; from Alaska or Hawaii, dial (800) 253-1121]. Dial just as you normally dial long distance. A special operator will tell you the name and number of your nearest Whirlpool TECH-CARE service outlet. During normal working hours, Whirlpool consultants at this same number will also answer any questions about operating or maintaining your appliance not covered in your Operating Instructions.</p> <p>Learn the benefits of using TECH-CARE service for maintaining the quality originally built into your WHIRLPOOL appliance.</p>	
---	--	---

WHIRLPOOL CORPORATION, BENTON HARBOR, MICHIGAN 49022