

# GN94ENSRSA

## GE® Outdoor Tankless Water Heater

### Dimensions and Installation Information (in inches)

**Important:** All units must be installed according to local codes.

**Note:** Before installing, consult installation instructions packed with product for current dimensional data.

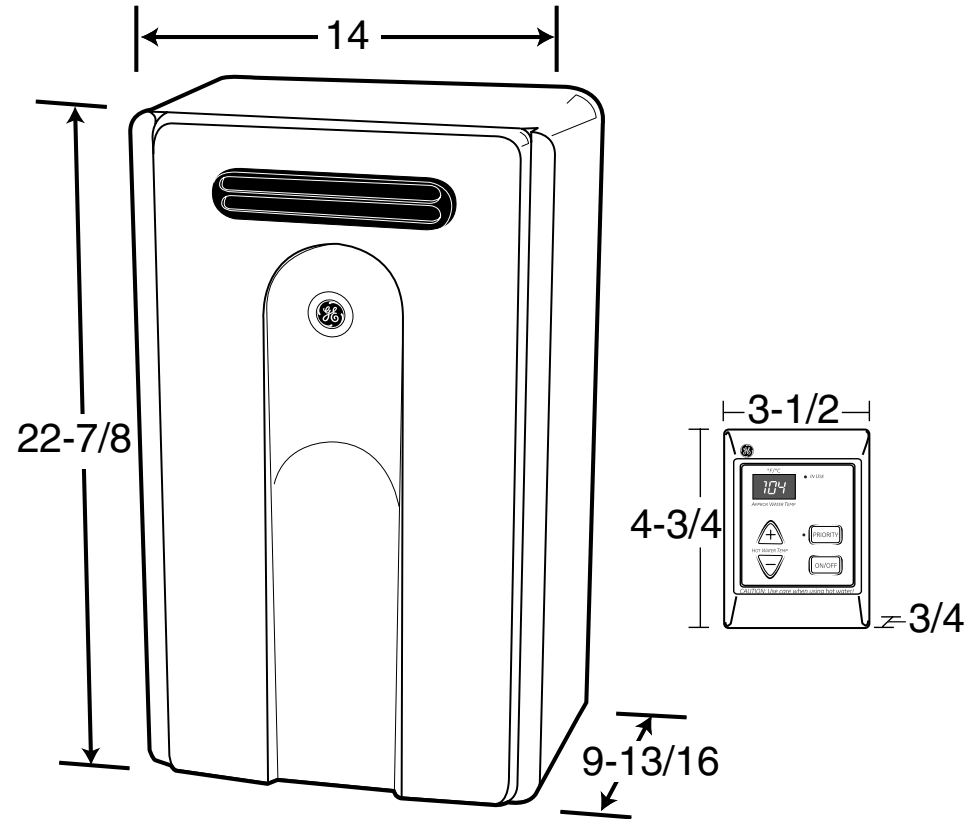
**Parts Warranty:** Limited 5 year; Limited 10 year Heat Exchanger

**Labor Warranty:** Limited 1 year Entire Appliance

**Warranty Notes:** Limited 1 year

### Tankless gas water heater accessories

Model #	Description
AGTRC1	Direct-wire remote controller for point-of-use locations
AGTPCM	Pipe cover hides connections for seamless appearance
AGTDC1	Dual-connect cable to cascade 2 tankless units together
AGTCK1	Multi-connect kit with control board allows 3, 4 or 5 units to connect and operate as one unit using the add-on control board as a system hub. Requires 1 multi-connect cable (AGTMC1) for each unit added.
AGTMC1	Multi-connect cable to be used with AGTCK1 to connect 3, 4 or 5 units. One multi-connect kit required for each unit added.



For answers to your Monogram®, GE Profile™ or GE® appliance questions, visit our website at [ge.com](http://ge.com) or call GE Answer Center® service, 800.626.2000.



# GN94ENSRSA

## GE® Outdoor Tankless Water Heater

### Dimensions and Installation Information (in inches)

#### Sizing:

Find the right tankless gas water heater for any size home

No. of bathrooms	Average Ground Water Temperatures					
	40° F		55° F		70° F	
	No. of units	Base model GPM required	No. of units	Base model GPM required	No. of units	Base model GPM required
1-1.5 bathrooms	1	7.5	1	7.5	1	7.5
2-2.5 bathrooms	1	7.5	1	7.5	1	7.5
3-3.5 bathrooms	1	9.4	1	7.5	1	7.5
4-4.5 bathrooms	2	7.5	2	7.5	1	9.4

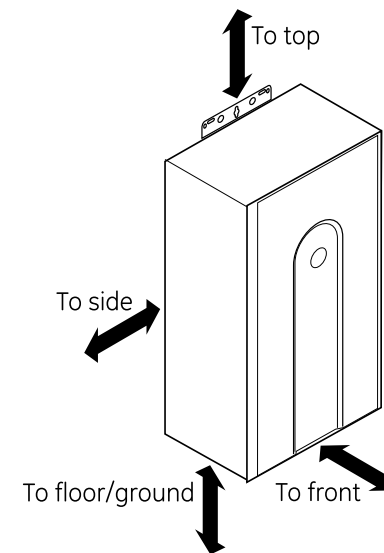
Actual usage conditions may require the next size unit or multiple units to meet demand. Colder ground water temperatures or higher set point temperatures may require higher gallons per minute (gpm) capacity or multiple units to properly meet household hot water requirements. Contact 1.888.HOTWATER for assistance.

- This chart is used as a guide only, for confirmation and assistance contact 1.888.HOTWATER
- Sizing guide is based on the following:
  - Bath with a standard tub (up to 60 gallons)
  - Shower with ½" shower valve and 2.5 gpm shower head
  - Set point temperature is 120°F (GE tankless units are factory set at 104°F)
  - Average winter incoming ground water temperature
- For specialty features (multiple shower heads, high flow showers, 60-120 gallon tubs, etc.) added flow rate will apply. Please contact 1.888.HOTWATER for assistance.
- For propane units, please call 1.888.HOTWATER for assistance.

For answers to your Monogram®, GE Profile™ or GE® appliance questions, visit our website at [ge.com](http://ge.com) or call GE Answer Center® service, 800.626.2000.

### Clearances for tankless gas water heater (inch/mm)

	To combustibles	To non combustibles
Top of heater	12 (305)	2 (51)
Back of heater	0 (0)	0 (0)
Front of heater	24 (610)	24 (610)
Sides of heater	6 (152)	1/8 (3)
Floor/Ground	12 (305)	2 (51)



# GN94ENSRSA

## GE® Outdoor Tankless Water Heater

### Dimensions and Installation Information (in inches)

#### Installation:

##### Planning for plumbing

(shown with optional pipe cover)

The center of the pipes can be placed anywhere within the shaded area.

The center of the pipes is recommended to be protruding only within 6" of the mounting wall.

Other specific installations may be different.

Be sure that the minimum elevation of the bottom of the unit is 18" to meet the 36" recommended clearance for the exhaust.

**Note:** It is recommended to install the bottom of the unit at least 18" off the ground to minimize blockage from debris and provide room for the optional Pipe Cover Accessory, AGTPCM.

#### Water Quality:

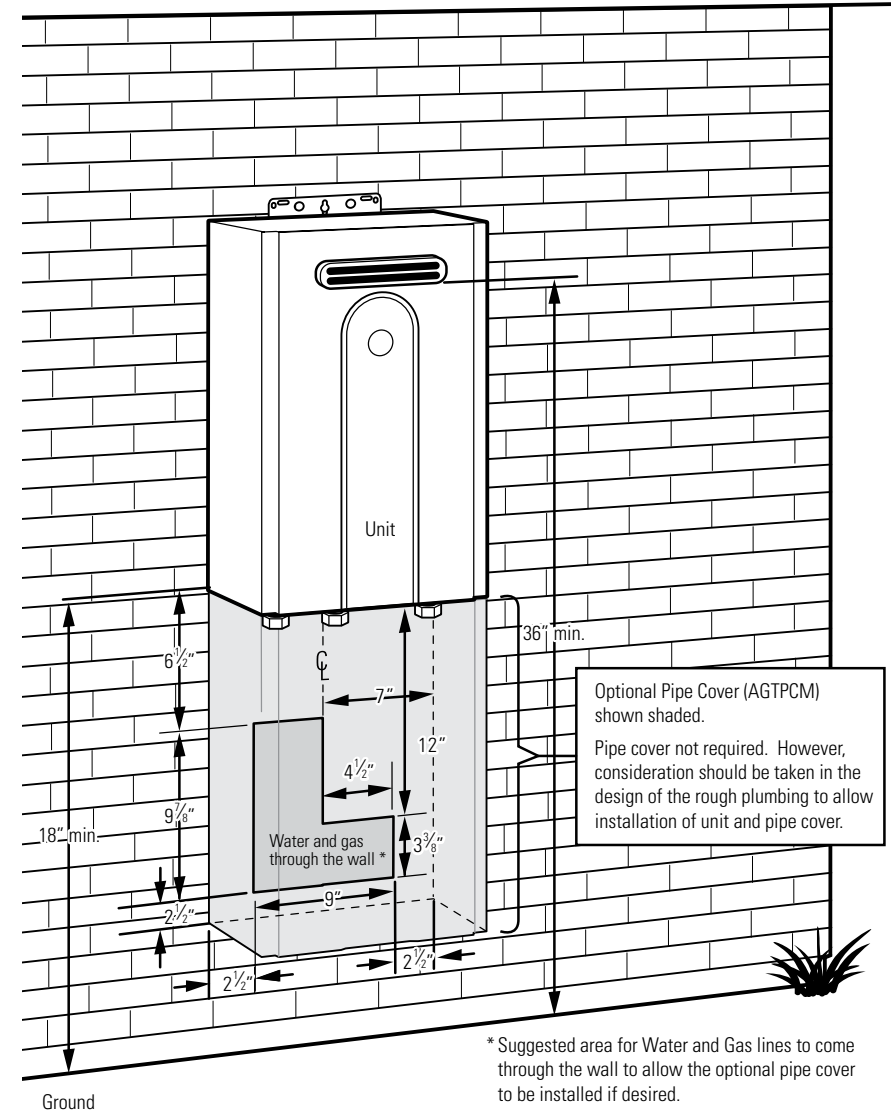
Care for your water heater should include evaluation of water quality. If the water exceeds the target levels provided in the table, you should treat or condition the water. If not treated, water quality may alter the life or performance of the product.

Maximum Level	
Total Hardness	Up to 200 mg/L (12 grains)
Aluminum*	Up to 0.2 mg/L
Chlorides	Up to 250 mg/L
Copper*	Up to 1.0 mg/L
Iron*	Up to 0.3 mg/L
Manganese*	Up to 0.05 mg/L
pH*	6.5 to 8.5
TDS (Total Dissolved Solids)*	Up to 500 mg/L
Zinc*	Up to 5 mg/L

\*Source: Part 143 National Secondary Drinking Water

**Note:** If you are in a hard water area (12 grains of hardness or greater) installation of a GE Water Softener is recommended

For answers to your Monogram®, GE Profile™ or GE® appliance questions, visit our website at [ge.com](http://ge.com) or call GE Answer Center® service, 800.626.2000.



imagination at work

# GN94ENSRSA GE® Outdoor Tankless Water Heater

## Features and Benefits

- Continuous Hot Water\*
  - Energy Savings—Save up to 25% annually on your water heating bill\*\*
  - Compact Design—Frees up floor space with wall-mounted installation
  - Installation Flexibility—Can be wall-mounted in many areas of the home
  - Helps to Avoid Carbon Emissions—Up to 25% tied to your water heating compared to a standard 40-gallon gas tank model based on Department of Energy testing
  - Demand-Activated Technology—Only heats the water when needed
  - Precise Temp—Within +/- 3 ° F
  - Freeze Protect—Protects your water heater from freezing at temperatures that can drop as low as -30° F
  - A Product of Ecomagination<sup>SM</sup>
  - Model GN94ENSRSA - Silver metallic
- \* Flow rates may diminish based on simultaneous use of multiple showers/baths and/or appliances
- \*\* Compared to a standard 40-gallon gas tank model based on 2007 fuel costs per DOE testing

