

SERVICE DATA SHEET

218755000

STANDARD - AUTOMATIC DEFROST

TOP FREEZER MODELS

PERFORMANCE DATA NO LOAD AND NO DOOR OPENINGS AT MID-POINT CONTROL SETTING				
Type A With Run/Start Capacitor	65°F Ambient	90°F Ambient		
Operating Time	30 to 45%	54 to 65%		
Freezer Temperature	0° to 8°F	0° to 6°F		
Refrigerator Temperature	35° to 40°F	35° to 40°F		
Low Side Pressure (cut-in)	5 to 16 psig	5 to 16 psig		
Low Side Pressure (cut-out)	-2 to +2 psig	-2 to +2 psig		
High Side Pressure (Last 1/3 of cycle)	110 to 120 psig	150 to 175 psig		
Wattage (Last 1/3 of cycle)	150 to 200	150 to 200		
Amps (Running)	1.3 to 1.8	1.3 to 1.8		
Base Voltage	115 VAC	115 VAC		
DEFROST SPECIFICATIONS				
Cabinet Size	Thermostat		Heater	
	Cut-in	Cut-out	Watts	Ohms
14.5' to 16.6'	+25°F	+47°F	400	33
18 - 20.6'	+25°F	+47°F	475	28
Defrost 21 Minutes Every 8 Hours of Compressor Run Time				
CONDENSER FAN MOTOR				
Watts	RPM	Amps		
2.3	1300 CW Opposite Shaft	.15 Running		
THERMOSTATIC DAMPER				
Full Open		Closed		
33°F +/- 2°F		22°F +/- 2°F		
ICE MAKER SPECIFICATIONS				
Electrical	115 Volts	60 Hertz		
Thermostat	Opens at 48°F	Closes at 15°F		
Heater Wattage	165			

IMPORTANT SAFETY NOTICE

The information provided herein is designed to assist qualified repair personnel only. Untrained persons should not attempt to make repairs due to the possibility of electrical shock. Disconnect power cord before servicing.

IMPORTANT

If any green grounding wires are moved during servicing, they must be returned to their original position and properly secured.

CAUTION: System parts must be removed from cabinet before brazing. All electrical parts and wiring must be shielded from torch flame. Do not allow torch to contact insulation; it will char at 200°F and flash ignite (burn) at 500°F. Excessive heat will distort the plastic liner.

ICE MAKER INFORMATION

Test Cycling

Remove cover by inserting screwdriver in notch at bottom and prying cover from housing. Use a screwdriver to rotate motor gear counterclockwise until holding switch circuit is completed. All components of ice maker should function to complete the cycle.

Water Fill Volume

The water fill adjustment screw will change the fill time. One full turn is equal to 20cc (.68 oz.). The correct fill is 90 to 120cc (3.0 to 4.0 oz.). When a water valve is replaced, the fill volume must be checked.

ATTENTION SERVICERS

Get a HELPING HAND by visiting the Electrolux Home Product Web Site where you can access Service Bulletins, New and Old Product Repair Tips, Service Kits, an interactive Service Request Form, and FAQ's. Visit the site at:

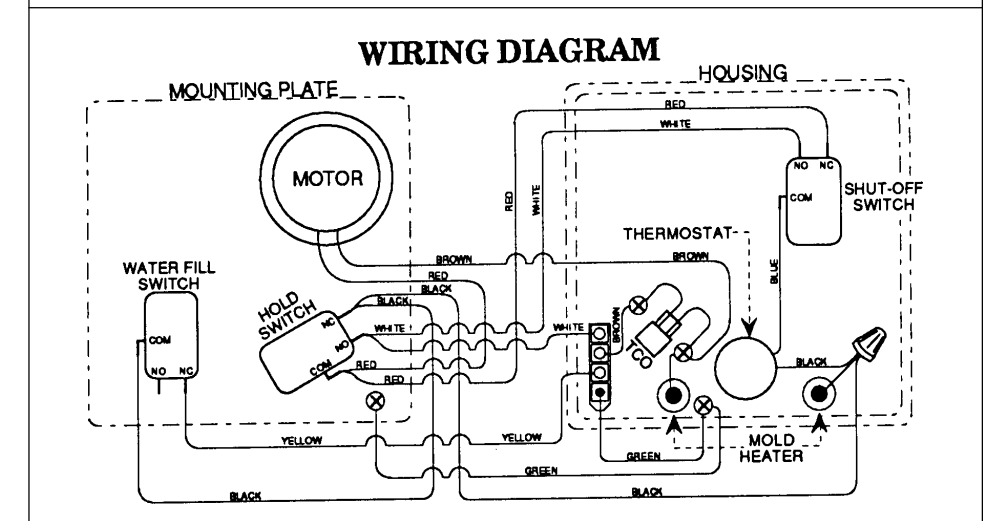
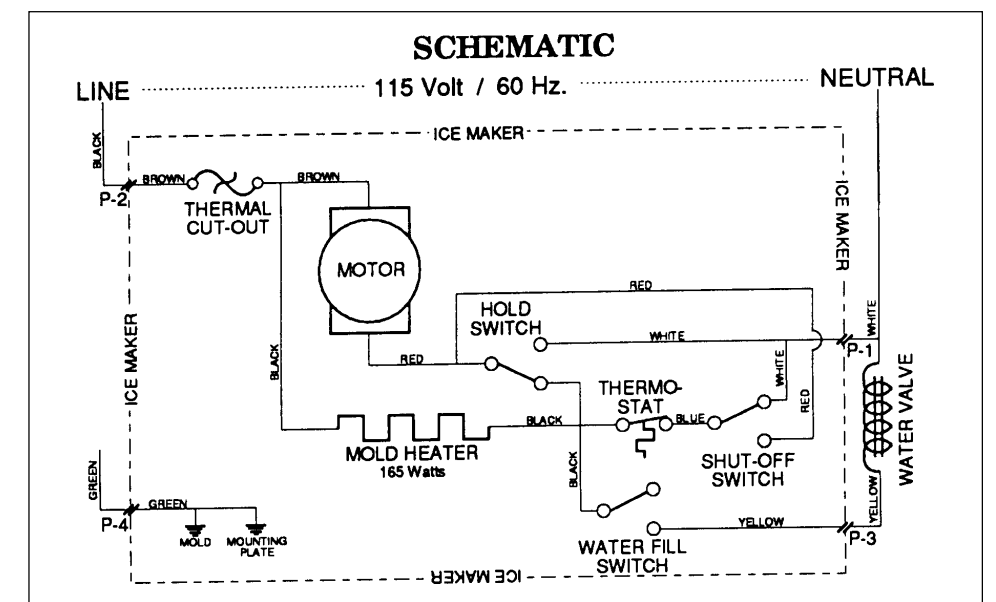
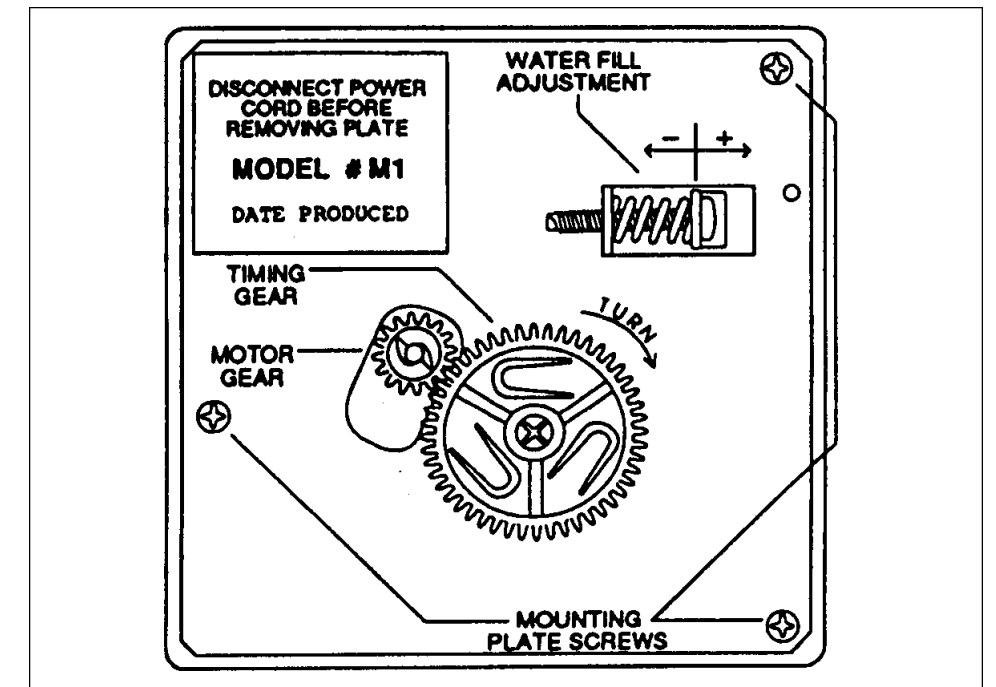
<http://www.frigidaire.com/tip>

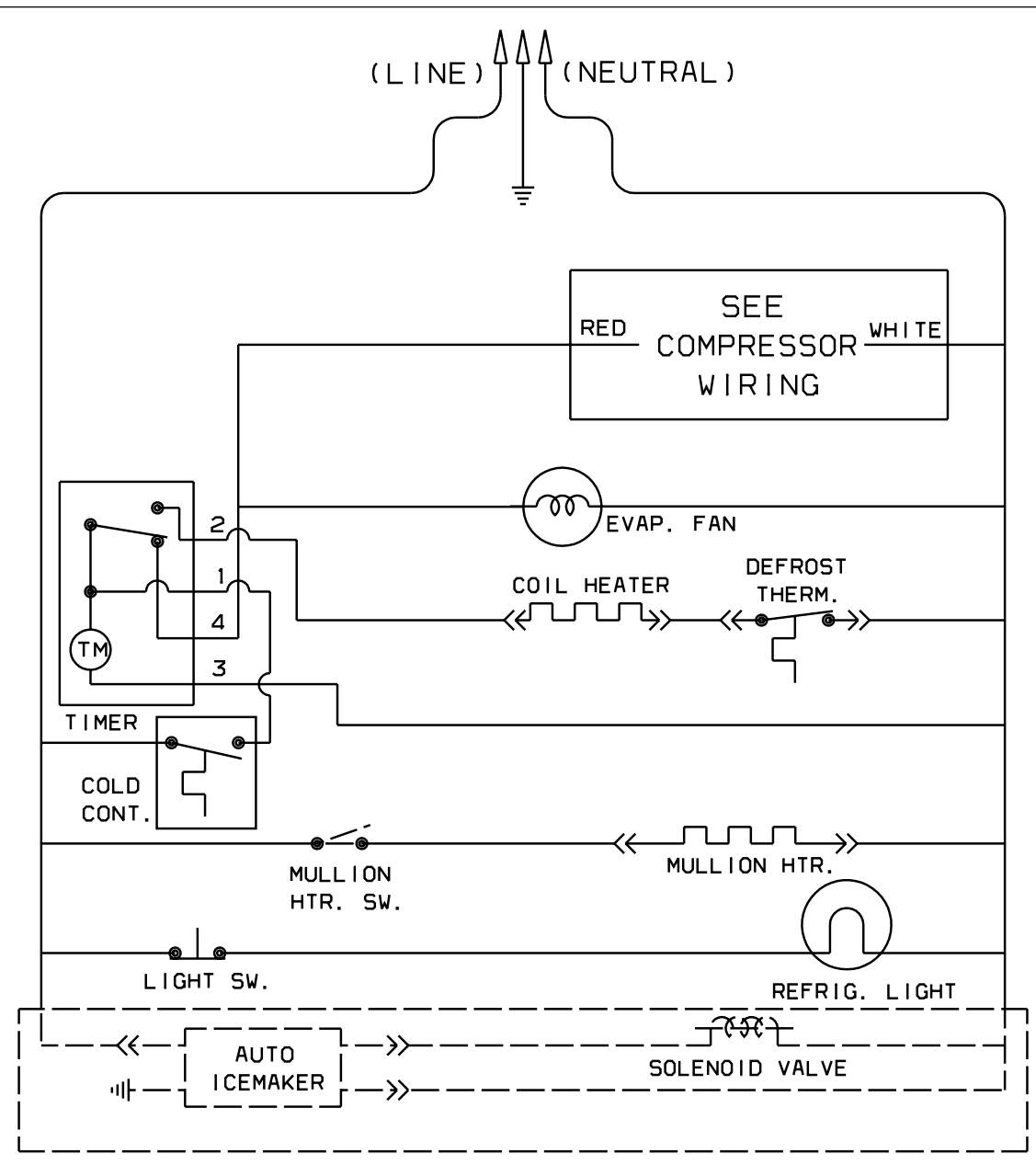
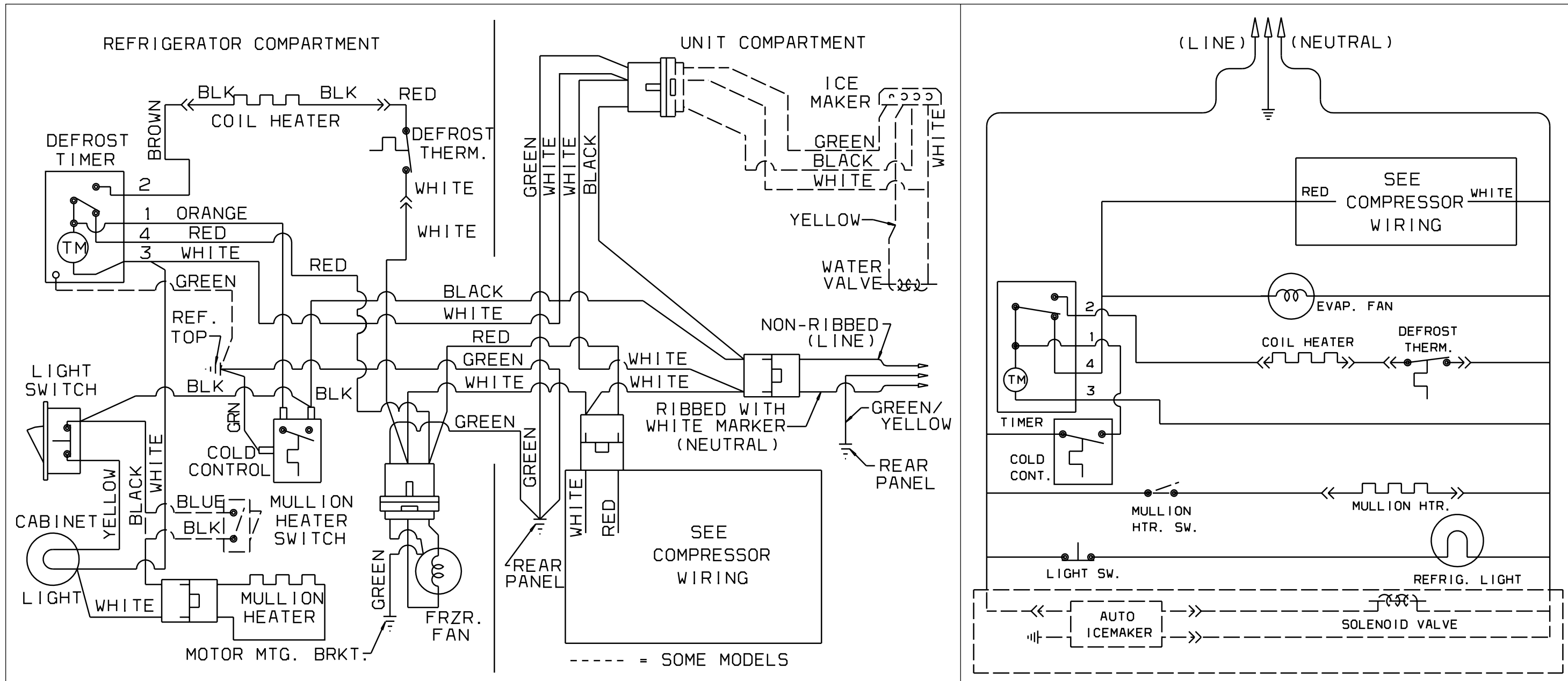
User Name: service

Password: tip

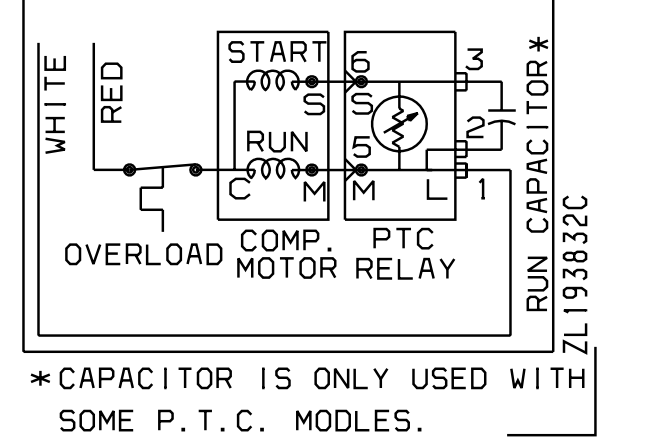
And now available at <http://www.frigidaire.com> are the following:

- Wiring Diagrams
- Owner's Guides
- Installation Instructions
- Parts Catalogs





P.T.C. RELAY WITH RUN CAPACITOR



COMPRESSOR WIRING

