

USE & CARE GUIDE

KitchenAid®

Electric and Gas Dryers

A Note to You	2
Understanding Dryer Safety	3-4
Parts and Features	5
Checking Your Vent	6
Operating Your Dryer	8
Starting your dryer	8
Selecting the right cycle and temperature setting ..	9
Loading	10
Automatic cycle	10
Timed Dry cycle	11
Air Tumble cycle	12
Using the drying rack....	13
Caring for Your Dryer	14
Troubleshooting.....	17
Requesting Assistance or Service	19
Warranty	20

1•800•422•1230

Call with questions
or comments

www.kitchenaid.com

A NOTE TO YOU

Thank you for buying a KITCHENAID® appliance!

KitchenAid designs the best tools for the most important room in your house. To ensure that you enjoy many years of trouble-free operation, we developed this Use and Care Guide. It contains valuable information concerning how to operate and maintain your new appliance properly and safely. Please read it carefully.

Also, please complete and mail the enclosed Product Registration Card.

For assistance or service

Call the Consumer Assistance Center toll free**1-800-422-1230**

If you need assistance or service, first see the "Troubleshooting" section of this book. After checking "Troubleshooting," additional help can be found by checking the "Requesting Assistance or Service" section, or by calling the telephone number above.

When calling, you will need to know your appliance's complete model number and serial number. You can find this information on the model and serial number label (see diagram in the "Parts and Features" section).

Keep this book and the sales slip together in a safe place for future reference. **You must provide proof of purchase or installation date for in-warranty service.**

Model Number _____	Builder/Dealer Name _____
Serial Number _____	Address _____
Date Installed _____	Phone _____

UNDERSTANDING DRYER SAFETY

Your safety and the safety of others is very important.

We have provided many important safety messages in this manual and on your appliance. Always read and obey all safety messages.



This is the safety alert symbol.

This symbol alerts you to hazards that can kill or hurt you and others.

All safety messages will be preceded by the safety alert symbol and the word "DANGER" or "WARNING." These words mean:

⚠ DANGER

You **will** be killed or seriously injured if you don't follow instructions.

⚠ WARNING

You **can** be killed or seriously injured if you don't follow instructions.

All safety messages will identify the hazard, tell you how to reduce the chance of injury, and tell you what can happen if the instructions are not followed.

WARNING: For your safety the information in this manual must be followed to minimize the risk of fire or explosion or to prevent property damage, personal injury or death.

- Do not store or use gasoline or other flammable vapors and liquids in the vicinity of this or any other appliance.
- WHAT TO DO IF YOU SMELL GAS
 - Do not try to light any appliance.
 - Do not touch any electrical switch; do not use any phone in your building.
 - Clear the room, building or area of all occupants.
 - Immediately call your gas supplier from a neighbor's phone. Follow the gas supplier's instructions.
 - If you cannot reach your gas supplier, call the fire department.
- Installation and service must be performed by a qualified installer, service agency or the gas supplier.

continued on next page

UNDERSTANDING DRYER SAFETY

IMPORTANT SAFETY INSTRUCTIONS

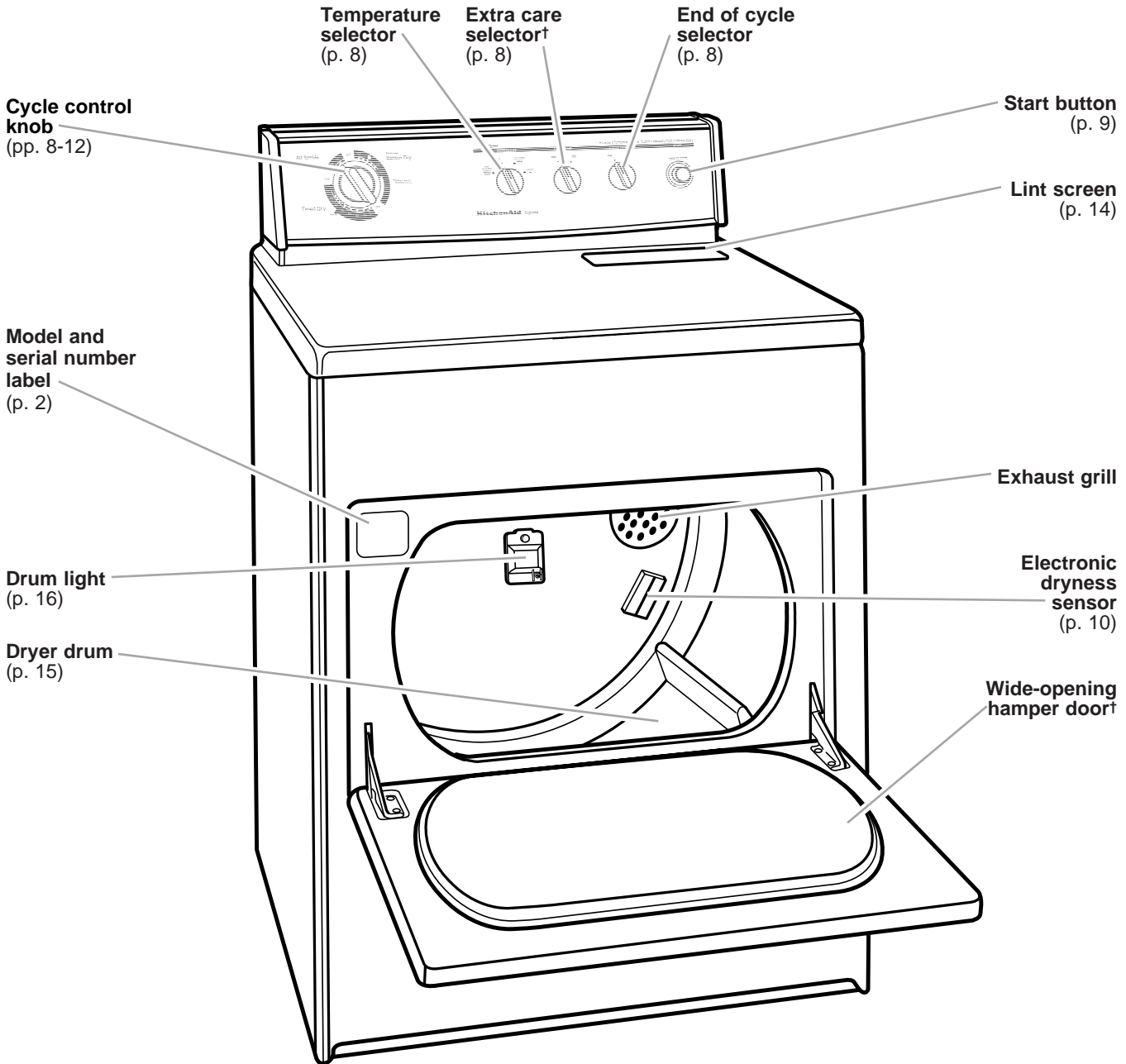
WARNING – To reduce the risk of fire, electric shock, or injury to persons when using the dryer, follow basic precautions, including the following:

- Read all instructions before using the dryer.
- Do not dry articles that have been previously cleaned in, washed in, soaked in, or spotted with gasoline, dry-cleaning solvents, other flammable, or explosive substances as they give off vapors that could ignite or explode.
- Do not allow children to play on or in the dryer. Close supervision of children is necessary when the dryer is used near children.
- Before the dryer is removed from service or discarded, remove the door to the drying compartment.
- Do not reach into the dryer if the drum is moving.
- Do not install or store the dryer where it will be exposed to the weather.
- Do not tamper with controls.
- Do not repair or replace any part of the dryer or attempt any servicing unless specifically recommended in this Use and Care Guide or in published user-repair instructions that you understand and have the skills to carry out.
- Do not use fabric softeners or products to eliminate static unless recommended by the manufacturer of the fabric softener or product.
- Do not use heat to dry articles containing foam rubber or similarly textured rubber-like materials.
- Clean lint screen before or after each load.
- Keep area around the exhaust opening and adjacent surrounding areas free from the accumulation of lint, dust, and dirt.
- The interior of the dryer and exhaust vent should be cleaned periodically by qualified service personnel.
- See Installation Instructions for grounding requirements.

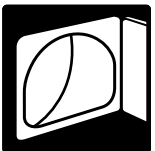
– SAVE THESE INSTRUCTIONS –

PARTS AND FEATURES

This manual covers several different models. The dryer you have purchased may have some or all of the parts and features listed below.



Other Doors:



Super wide-opening door†
(Reversible door — see Installation Instructions)

Additional features your dryer may have:

Ultra Low temperature setting (p. 9)

Extra Low temperature setting (p. 9)

Drying Rack (p. 13)

† On some models

CHECKING YOUR VENT

Your dryer must be properly installed and vented to achieve maximum drying efficiency and shorten drying times. Use the minimum recommended installation clearances (found in your Installation Instructions) to avoid blocking the flow of combustion and ventilation air. Install your dryer in a well-ventilated room where the temperature is always above 45°F (7°C). Also make sure that your dryer is leveled. Refer to your Installation Instructions for more information.

Venting

⚠️ WARNING



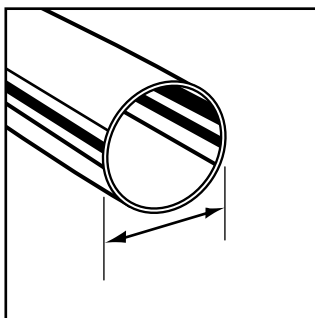
Fire Hazard

- Use a heavy metal vent.
- Do not use a plastic vent.
- Do not use a metal foil vent.
- Failure to follow these instructions can result in death or fire.

If the dryer is not properly installed and vented, it will not be covered under the warranty.

NOTE: Service calls caused by improper venting will be paid for by the customer, whether it was a paid installation or self-installed. For paid installation, call the company that installed the vent for adjustment.

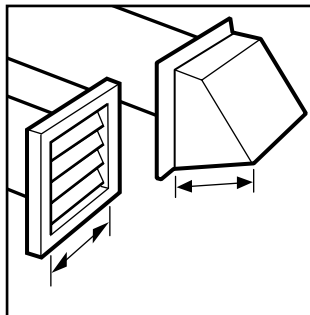
1. Do not use plastic vent or flexible metal foil vent.



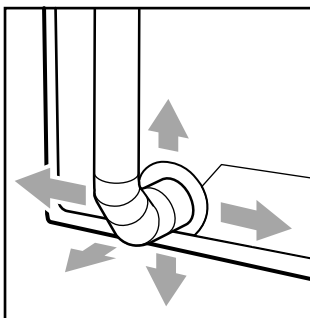
Use 4-inch heavy metal or flexible metal vent. Do not kink or crush flexible metal vent. It must be completely extended to allow adequate exhaust air to flow. Check vent after installation. Refer to your Installation Instructions for proper

length requirements of vent.

2. Use a 4-inch exhaust hood. Smaller hoods increase drying times.



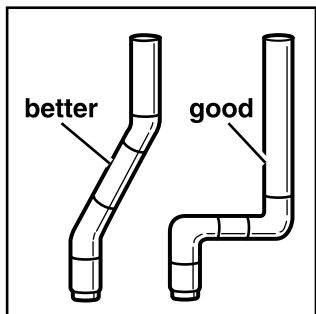
3. The exhaust vent can be routed up, down, left, right, or straight out the back of the dryer. Space requirements are listed in your Installation Instructions.



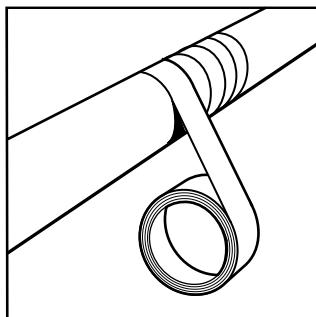
CHECKING YOUR VENT

Venting (cont.)

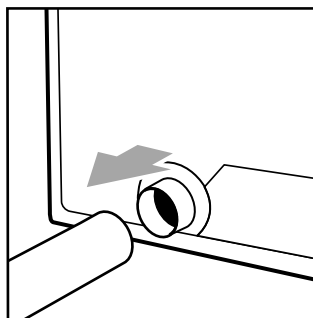
4. Use the straightest path possible when routing the exhaust vent. Use the fewest number of elbows and turns. Allow room when using elbows or making turns. Bend vent gradually to avoid kinking.



5. Use duct tape to seal all joints. **Do not** use screws to secure vent. Lint may catch on screws.



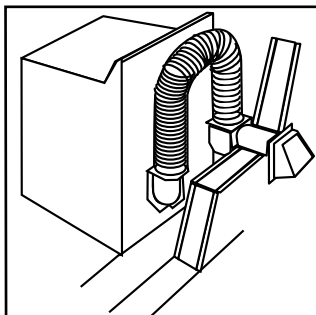
6. Clean exhaust vent periodically, depending on use, but at least every 2 years, or when installing your dryer in a new location.



- Disconnect vent from the dryer and clean one section at a time until you reach the exhaust hood.
- Use the hose attachment on your vacuum, or a pole or wire with a feather duster or rag attached, to clean out lint.
- Be sure the flapper on the outside end of vent moves freely.
- When cleaning is complete, be sure to follow the Installation Instructions supplied with your dryer for final product check.

SURE CONNECT™ Vent Kit (optional)

For safe and easy installation of your dryer, a complete exhaust vent kit is available. SURE CONNECT Vent Kit (No. 4396028) contains everything you need to install your dryer.

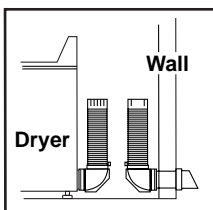


The kit contains:

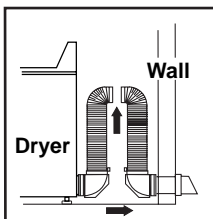
- 2 - 4 ft. vent sections with attached close elbows
- 1 - Wall plate for close clearance installations
- 2 - 4 in. clamps

The SURE CONNECT Vent Kit (No. 4396028) can be ordered by calling **1-800-442-9991**

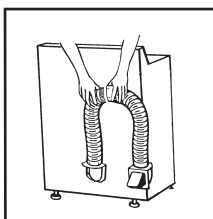
To install vent:



1. Clamp one elbow/vent section to the wall and one to the dryer



2. Extend the vent upward, almost to the top of the dryer, then push the dryer to the wall.



3. From over the top, snap the vent together.

OPERATING YOUR DRYER

Starting your dryer

⚠ WARNING



Explosion Hazard

Keep flammable materials and vapors, such as gasoline, away from dryer.

Do not dry anything that has ever had anything flammable on it (even after washing).

Failure to follow these instructions can result in death, explosion, or fire.

⚠ WARNING



Fire Hazard

No washer can completely remove oil.

Do not dry anything that has ever had any type of oil on it (including cooking oils).

Items containing foam, rubber, or plastic must be dried on a clothesline or by using an Air Cycle.

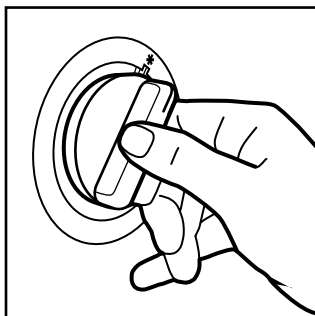
Failure to follow these instructions can result in death or fire.

Before using your dryer, wipe the dryer drum with a damp cloth to remove dust from storing and shipping.

1. Load clothes loosely into the dryer and close the door. Do not pack the dryer; allow space for clothes to tumble freely.



2. Turn the Cycle Control knob to the recommended cycle for the type of load being dried.



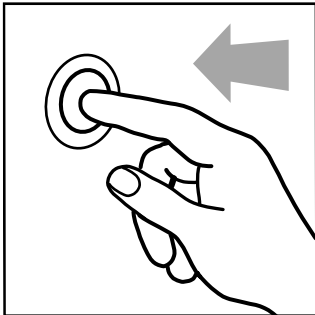
Use the Energy Preferred Automatic Setting (*) in the Sensor Dry cycle to dry most heavyweight and mediumweight loads.

3. Set the Temperature selector to the recommended setting for the type of fabric being dried. The cycle descriptions later in this section include temperature setting suggestions.
4. (OPTIONAL STEP) Set the End of Cycle Signal selector to On or to the volume level you prefer (on some models) if you want the dryer to prefer a signal when a cycle is finished. The signal is helpful when you are drying permanent press, synthetics, and other items that should be removed from the dryer as soon as it stops.
5. (OPTIONAL STEP) Your dryer may have an On/Off Extra Care selector. The Extra Care feature protects your clothes from wrinkling when you do not remove them from the dryer as soon as it stops.
 - Set the Extra Care selector to On to tumble the load without heat every few minutes up to 45 minutes after the drying cycle ends.
 - A signal will sound every few minutes while Extra Care is running if the End of Cycle Signal feature is set On.
 - Set the Extra Care selector to Off if you do not want to run this feature.

OPERATING YOUR DRYER

Starting your dryer (cont.)

6. Push the Start button.



NOTE: Your dryer stops automatically when a cycle ends.

Stopping and restarting your dryer

You can stop your dryer anytime during a cycle.

To stop your dryer:

Open the dryer door or turn the Cycle Control knob to Off.

NOTE: The Cycle Control knob should point to an Off area when the dryer is not in use.

To restart your dryer:

Close the door, select a new cycle and temperature (if desired), and push the Start button.

Selecting the right cycle and temperature setting

Cycle and temperature tips

- In the Automatic cycle (Sensor Dry), the FLO-THRU™ Drying System automatically reduces the heat near the end of the cycle to prevent overdrying.
- If your dryer has a special Ultra Low or Extra Low temperature setting, this reduces drying temperatures and provides enhanced fabric care for delicates and other fine fabrics.
- If some types of loads in the cycle descriptions have more than one suggested temperature setting, choose the lowest setting available on your dryer.
- The last few minutes of all cycles are without heat to make the load cooler to handle.

Drying tips

- Make sure you have selected the correct cycle and temperature for your load. For example, select a High temperature setting for best drying results with extra heavy items.
- Always follow care label directions when they are available.
- If you use fabric softener sheets, always use fabric softener sheets labeled as dryer safe and follow package instructions carefully.
- Remove the load from the dryer as soon as tumbling stops to reduce wrinkling. This is especially important for permanent press, knits, and synthetic fabrics.

OPERATING YOUR DRYER

Loading

Loading suggestions

The chart below provides some guidelines on various types of drying loads. Load clothes loosely into the dryer. Do not pack the dryer; allow space for clothes to tumble freely.

Heavy Work Clothes	Delicates	Towels	Mixed Load
3 pair pants	3 camisoles	10 bath towels	3 double sheets
3 shirts	1 quilted robe	10 hand towels	4 pillowcases
4 pair jeans	4 slips	14 wash cloths	8 T-shirts
1 coverall	4 panties	1 bath mat	6 pair shorts
1 overall	2 bras		2 shirts
	2 nighties		2 blouses
	1 baby's dress		8 handkerchiefs

Automatic cycle

Your dryer has an Automatic cycle, Sensor Dry. Sensor Dry uses an electronic dryness sensor control that senses the amount of moisture in the load and shuts off the dryer when the selected dryness is reached. The Cycle Control knob does not move until the load is almost dry. After the cool-down, the knob automatically turns to an Off area and tumbling stops.

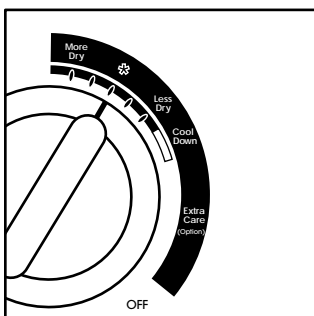
- Dry most loads using the Energy Preferred Automatic Setting (*) in the Sensor Dry cycle.
- For any Automatic setting, you can choose any temperature setting you want.
- If the load is drier than you like, select a setting closer to Less Dry the next time you dry a similar load.

- If the load is not as dry as you like, complete drying using the Timed Dry cycle (see next page). Select a setting closer to More Dry the next time you dry a similar load.
- The Extra Care feature (on some models) protects your clothing from wrinkles if you are unable to unload the dryer within 5 minutes after tumbling stops. The Extra Care feature tumbles the load without heat every few minutes up to 45 minutes after the cycle ends.

NOTE: If the Extra Care selector is set to Off, the Sensor Dry cycle ends after cool-down.

A signal will sound every few minutes when Extra Care is running if the End of Cycle Signal feature is set On. The signal and cycle stop when you open the dryer door.

Use the Sensor Dry Automatic cycle for

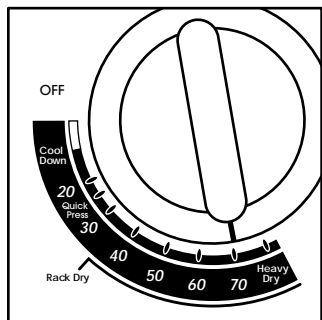


heavyweight and mediumweight cotton items, such as towels, linens, bedspreads, work clothes, blue jeans, and corduroys. Set your dryer to a heat setting that matches the care label directions.

OPERATING YOUR DRYER

Timed Dry cycle

Use the Timed Dry cycle to complete drying if some items are damp after Automatic drying.



• Heavyweight and bulky items, such as bedspreads and work clothes, and large loads require a long drying time. Set your Cycle Control knob for 50 to 70 minutes, and your

Temperature selector to a heat setting that matches the care label directions.

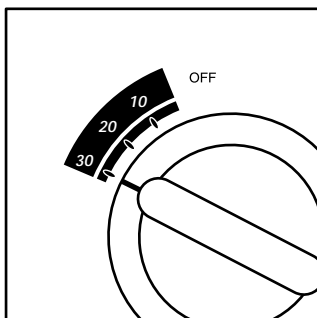
• Lightweight items, such as lingerie, blouses, and knits, require a short drying time. Set your Temperature selector to a low or medium setting and the Cycle Control knob for 20 to 30 minutes.

- Use the Heavy Dry feature to dry large items or items that are thicker or heavier than a regular load. Set your Temperature selector to a heat setting that matches the care label directions.
- The Quick Press feature removes wrinkles from clothes that have been packed in a suitcase or closet, or from items not removed from the dryer at the end of a cycle. As soon as the dryer stops, fold or put the items on hangers. Set your Temperature selector to Med.
- Use the Rack Dry feature (on some models) to dry items without tumbling them. See the “Using the drying rack” section.

OPERATING YOUR DRYER

Air Tumble cycle

Use the unheated Air Tumble cycle for items that require drying without heat. Since this cycle has no heat, the Temperature selector setting will have no effect. The following chart includes examples of items that require drying without heat. Use the Air Tumble cycle or place the items on a line or rack to air dry.



- Line dry bonded or laminated fabrics.
- Always follow care label directions when they are available.

TYPE OF LOAD	AIR TUMBLE CYCLE* (minutes)
RUBBER, PLASTIC, HEAT-SENSITIVE FABRICS Foam Rubber – Pillows, padded bras, stuffed toys <ul style="list-style-type: none"> • Make sure coverings are securely stitched. • Shake and fluff pillows by hand several times during the Air Tumble cycle. • Make sure pillows are completely dry. Foam rubber pillows take a long time to dry. 	20-30
Plastic – Shower curtains, tablecloths	20-30
Rubber-backed rugs	40-50
Olefin, Polypropylene, Sheer nylon	10-20

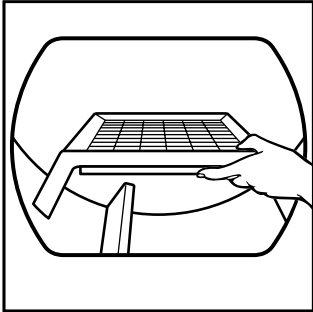
* Reset cycle as needed to complete drying.

OPERATING YOUR DRYER

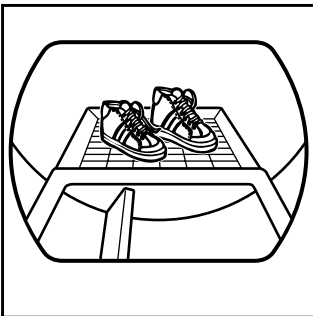
Using the drying rack (on some models)

The drying rack lets you dry items without tumbling them. The rack does not move, but the drum turns.

1. Fit rear legs of the rack into spaces in the back wall of the dryer. Lower the front so the legs rest on the dryer opening.



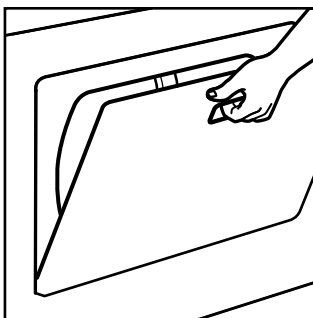
2. Put wet items on top of the rack.



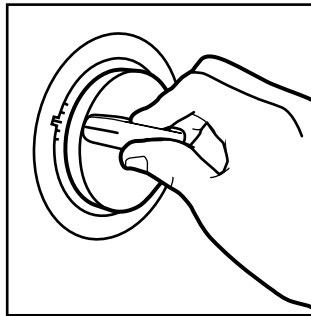
- Leave space between the items so air can reach all surfaces.
- See chart below for suggested cycles and settings for items that might best be rack dried. Drying time will depend on amount of moisture items hold.

NOTE: Make sure nothing hangs over the edge of the rack.

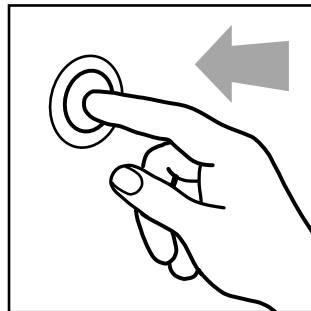
3. Close the door.



4. Select the Timed Dry cycle and temperature, or the Air Tumble cycle.



5. Push the Start button.



NOTE: The rack must be removed for normal tumbling. Automatic cycles do not work with the drying rack.

RACK DRY	CYCLE	TEMPERATURE	TIME* (minutes)
Wool sweaters (Block to shape and lay flat on the rack)	Timed Dry	Low	60
Stuffed toys or pillows (Cotton or polyester fiber filled)	Timed Dry	Low	60
Stuffed toys or pillows (Foam rubber filled)	Air Tumble	None; cycle is unheated.	90
Sneakers or canvas shoes	Air Tumble	None; cycle is unheated.	30-40

*Reset cycle as needed to complete drying.

CARING FOR YOUR DRYER

Proper care of your dryer can extend its life and help your dryer operate efficiently.

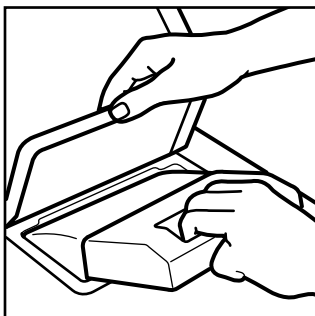
Cleaning the lint screen

Every load cleaning

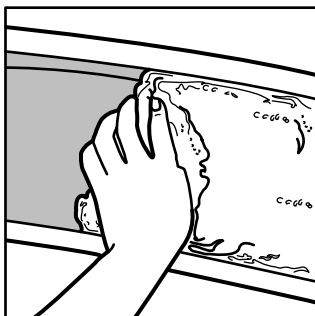
The lint screen is located under a lid on top of the dryer. **Clean it before each load.** A screen blocked by lint can increase drying time.

To clean:

1. Open the lid and pull the lint screen towards you.



2. Roll lint off the screen with your fingers. Do not rinse or wash screen to remove lint. Wet lint is hard to remove.



3. Push the lint screen firmly back into place and close the lid.

IMPORTANT:

- Do not run the dryer with the lint screen loose, damaged, blocked, or missing. Doing so can cause overheating and damage to both the dryer and fabrics.
- Some towels made of synthetic fibers and natural fibers (polyester and cotton blends) may shed more lint than other towels, causing your dryer's lint screen to fill up faster. Be sure to remove lint from the lint screen before and after drying new towels.
- If lint falls into chute, double-check exhaust hood and clean out lint, if necessary.

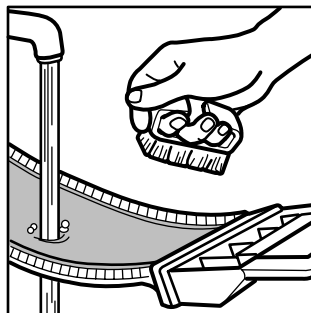
As needed cleaning

Laundry detergents and fabric softeners can cause a residue buildup on the lint screen. This buildup can cause longer drying times for your clothes, or cause the dryer to stop before your load is completely dry. You may be able to see this buildup, or the lint may be falling off the screen because it is clogged.

Clean the lint screen with a nylon brush every six months or more frequently if it becomes clogged due to a residue buildup.

Use the following method:

1. Wet both sides of lint screen with hot water.
2. Wet a nylon brush with hot water and liquid detergent; scrub lint screen with the brush to remove residue buildup.



3. Rinse screen with hot water.
4. **Thoroughly** dry lint screen with a clean towel; replace in dryer.

CARING FOR YOUR DRYER

Cleaning the dryer interior

Garments which contain unstable dyes, such as denim blue jeans or brightly colored cotton items, may discolor the dryer interior. These stains are not harmful to your dryer and will not stain future loads of clothes. It may be helpful to dry unstable dye items inside out to prevent dye transfer.

NOTE: Even after cleaning, these stains may reappear when similar loads are dried.

To clean dryer drum:

1. Make a paste with powdered laundry detergent and very warm water.
2. Apply paste to a soft cloth.

OR

Apply a liquid, non-flammable household cleaner to the stained area and rub with a soft cloth until all excess dye is removed.



3. Wipe drum thoroughly with a damp cloth.
4. Tumble a load of clean cloths or towels to dry drum.

⚠️ WARNING



Explosion Hazard

Use nonflammable cleaner.

Failure to do so can result in death, explosion, or fire.

Removing accumulated lint from inside the dryer cabinet

Lint can gather inside the dryer and be a fuel for fire. Lint should be removed every 2 years, or more often, depending on dryer usage. Cleaning should be done by a qualified person.

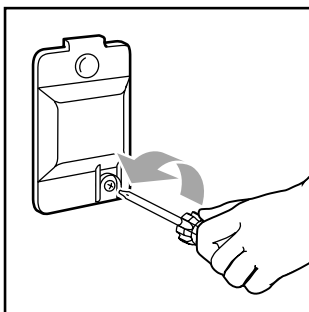
CARING FOR YOUR DRYER

Changing the drum light

The dryer light automatically turns on inside the dryer drum when you open the door.

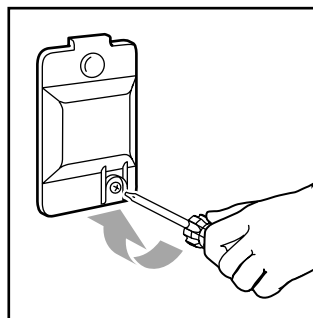
To change drum light:

1. Unplug dryer or disconnect power.
2. Open the dryer door. Remove the light bulb cover from the back wall of the dryer by removing the screw located in the lower right corner of the cover.



3. Remove the light bulb by turning it counterclockwise.
4. Replace the bulb with a 10-watt appliance bulb only.

5. Replace the light bulb cover.



6. Plug in dryer or reconnect power.

TROUBLESHOOTING

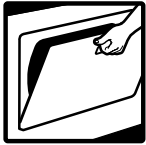
Common laundry problems

Problem...	Cause...
Slow drying or clothes still wet	<ul style="list-style-type: none">• Incorrect cycle or temperature setting selected.• Full or clogged lint screen. (See page 14.)• Exhaust vent clogged, restricted, or too long. (See pages 6-7 and Installation Instructions.)• Dryer is not level. The clothes are not contacting the electronic dryness sensor. (See page 10 and Installation Instructions.)• Dryer located in room with temperature below 45°F (7°C).• Load too large and bulky to dry quickly.• Drying heavy fabrics (denim, towels) with light fabrics (synthetics, permanent press).• Fabric softener sheet blocking exhaust grill inside dryer drum.
Lint	<ul style="list-style-type: none">• Full lint screen. (See page 14.)• Load not properly sorted.• Overdrying, especially synthetic fabrics that cause lint-attracting static electricity.• Load size too big or heavy.• Tissue or paper left in pockets.• Pilling (surface fuzz caused by normal wear and laundering) attracts lint.
Static electricity	<ul style="list-style-type: none">• Overdrying.• Dryer fabric softener improperly used. See package directions.• Load includes synthetics, synthetic blends, permanent press, and knit fabrics that build up static electricity.
Wrinkling	<ul style="list-style-type: none">• Overloading.• Overdrying, especially permanent press and synthetic fabrics.• Large items balling or rolling up.• Clothes left in dryer at end of cycle.
Shrinking	<ul style="list-style-type: none">• Overdrying.• Fabric or garment is not designed for tumble drying.• Dryer settings incorrect for fabric type.• Care label directions not followed.
Greasy spots/stains	<ul style="list-style-type: none">• Dryer fabric softener improperly used. Do not add to a warm load.• Drying soiled items.
Color change	<ul style="list-style-type: none">• Drying dark colors with light colors.• Drying colorfast colors with noncolorfast colors.
Garment damage	<ul style="list-style-type: none">• Zippers, snaps, and hooks left open.• Strings and sashes not tied to prevent tangling.• Care label directions not followed.

TROUBLESHOOTING

Common dryer problems

1. Dryer will not start.



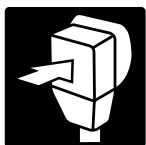
Is the dryer door firmly closed?



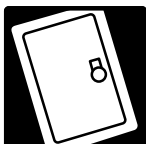
Are the controls set in an On position?



Did you firmly push the Start Button?



Is the power cord plugged in?



Have you blown a fuse or tripped the circuit breaker? Electric dryers use 2 household fuses or breakers.

2. Lint accumulation in hood or exhaust vent, or extended drying times.



Is the lint screen full?

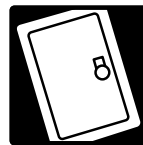


Is the exhaust vent or outside exhaust hood clogged with lint? Refer to the "Venting" section on pages 6-7.

3. No heat



For gas dryers, is the valve open on the supply line? Also, some dryers may have an internal gas valve.



For electric dryers, have you blown a fuse or tripped a circuit breaker?

Electric dryers use 2 household fuses or breakers. The drum may be turning but you may not have heat.

4. Noises



Does lint screen need to be cleaned (lint alert)?

If the dryer hasn't been used for awhile, there may be a thumping sound during the first few minutes of operation.

If noises continue, call the Consumer Assistance Center.

5. Odor

When operating a new dryer, the new electric heating element may have an odor.



Are household chemical odors being drawn into dryer? Proper ventilation must be used if painting or staining near the dryer.

NOTE: Store and use paints, varnishes, etc. away from your dryer whenever possible.

If you still have problems, see the "Requesting Assistance or Service" section on page 19.

REQUESTING ASSISTANCE OR SERVICE

To avoid unnecessary service calls, please check the “Troubleshooting” section. It may save you the cost of a service call. If you still need help, follow the instructions below.

If you need assistance or service

Call the KitchenAid Consumer Assistance



Center toll free at
1-800-422-1230.

When calling:

Please provide KitchenAid with the purchase date, and the complete model and serial number of your appliance (see the “A Note to You” section). This information will help us better respond to your request.

Our consultants provide assistance with:

- Features and specifications on our full line of appliances
- Installation information
- Use and maintenance procedures

- Accessory and repair parts sales
- Specialized customer assistance (Spanish speaking, hearing impaired, limited vision, etc.)
- Referrals to local dealers, service companies, and repair parts distributors.

KitchenAid service technicians are trained to fulfill the product warranty and provide after-warranty service, anywhere in the United States.

To locate the authorized KitchenAid service company in your area, you can also look in your telephone directory Yellow Pages.

If you need replacement parts

If you need to order replacement parts, we recommend that you only use factory authorized parts. These parts will fit right and work right, because they are made to the same exacting specifications used to build every new KITCHENAID® appliance.

To locate factory authorized replacement parts in your area, call our Consumer Assistance Center telephone number or your nearest authorized service center.

For further assistance

If you need further assistance, you can write to KitchenAid with any questions or concerns at:

KitchenAid Brand Home Appliances
Consumer Assistance Center
c/o Correspondence Dept.
2000 North M-63
Benton Harbor, MI 49022-2692

Please include a daytime phone number in your correspondence.

DRYER WARRANTY

LENGTH OF WARRANTY	KITCHENAID WILL PAY FOR	KITCHENAID WILL NOT PAY FOR
TWO YEAR FULL WARRANTY FROM DATE OF PURCHASE	Replacement parts and repair labor costs to correct defects in materials or workmanship. Service must be provided by an authorized KitchenAid servicing outlet.	A. Service calls to: <ol style="list-style-type: none"> 1. Correct the installation of the dryer, including venting. Heavy four-inch metal exhaust vent must be used. Refer to the venting section of this manual and your Installation Instructions. 2. Instruct you how to use the dryer. 3. Replace house fuses or correct house wiring or plumbing. 4. Replace owner accessible light bulbs. B. Repairs when dryer is used in other than normal home use. C. Damage resulting from accident, alteration, misuse, abuse, improper installation (including, but not limited to, venting with plastic or flexible foil), or installation not in accordance with local electrical or plumbing codes. D. Any labor costs during limited warranties. E. Replacement parts or repair labor costs for units operated outside the United States. F. Pickup and delivery. This product is designed to be repaired in the home. G. Repairs to parts or systems resulting from unauthorized modifications made to the appliance.
THIRD THROUGH FIFTH YEAR LIMITED WARRANTY FROM DATE OF PURCHASE	Replacement parts for any electrical element on electric models or any burner on gas models to correct defects in materials or workmanship. Replacement of the motor due to defects in materials and workmanship.	
THIRD THROUGH TENTH YEAR LIMITED WARRANTY FROM DATE OF PURCHASE	Replacement parts for the dryer drum if it rusts due to defects in materials or workmanship. Replacement parts for the dryer top/cabinet assembly should any sign of rust appear due to defects in materials or workmanship.	

4/98

KITCHENAID DOES NOT ASSUME ANY RESPONSIBILITY FOR INCIDENTAL OR CONSEQUENTIAL DAMAGES. Some states do not allow the exclusion or limitation of incidental or consequential damages, so this exclusion or limitation may not apply to you. This warranty gives you specific legal rights and you may also have other rights which may vary from state to state.

Outside the United States, a different warranty may apply. For details, please contact your authorized KitchenAid dealer.

If you need assistance or service, first see the "Troubleshooting" section of this book. After checking "Troubleshooting," additional help can be found by checking the "Requesting Assistance or Service" section. In the U.S.A., call our Consumer Assistance Center at **1-800-422-1230**.

KitchenAid
Benton Harbor, MI 49022-2692 U.S.A.

3405633
CARD NO. 2195265