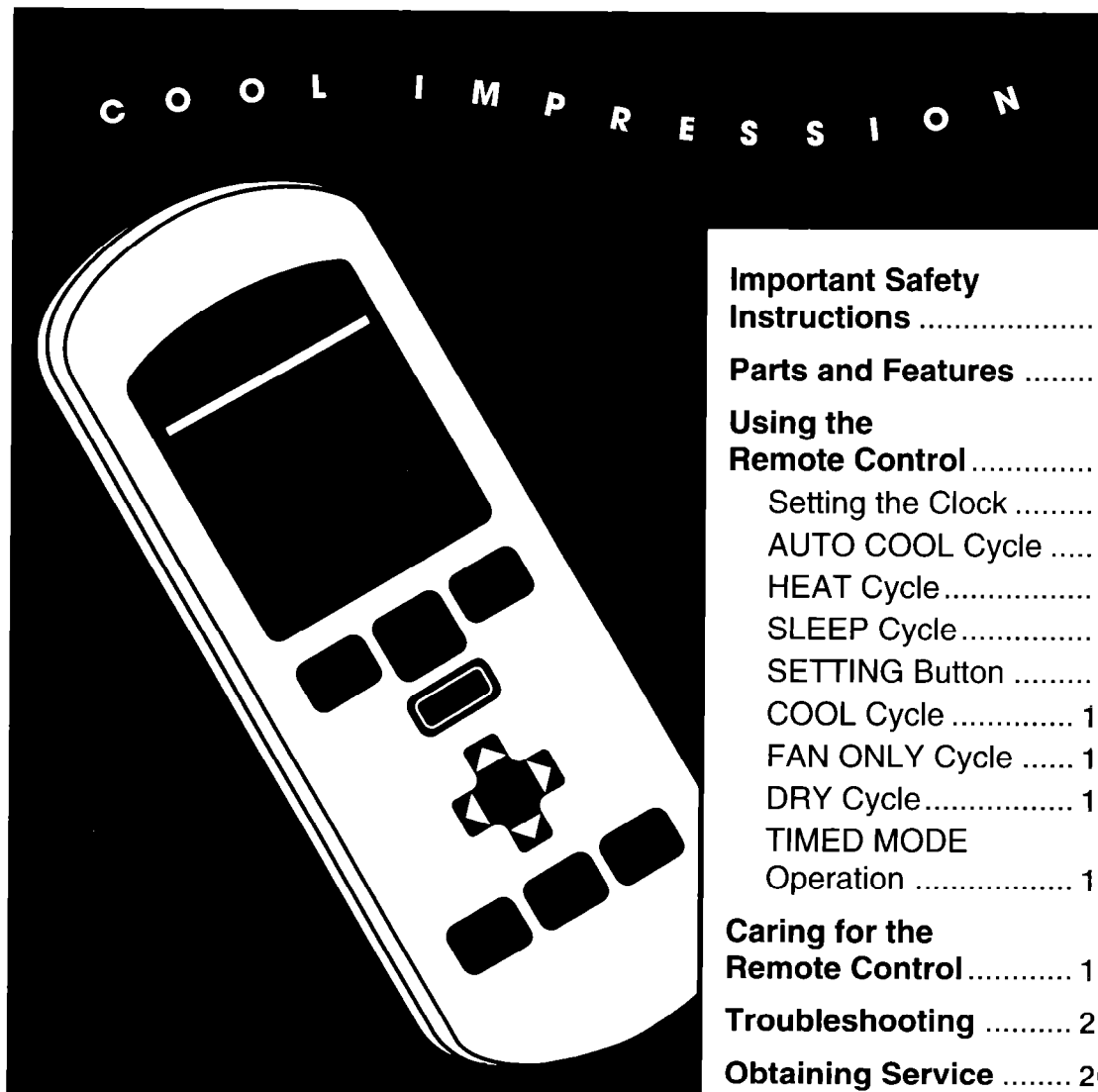




Owner's

M A N U A L



Important Safety Instructions	4
Parts and Features	4
Using the Remote Control	5
Setting the Clock	5
AUTO COOL Cycle	6
HEAT Cycle	7
SLEEP Cycle	8
SETTING Button	9
COOL Cycle	11
FAN ONLY Cycle	12
DRY Cycle	13
TIMED MODE Operation	14
Caring for the Remote Control	17
Troubleshooting	20
Obtaining Service	20

REMOTE CONTROL

C O N G R A T U L A T I O N S !

You now own the air conditioner with the remote control that's so easy to use you'll hardly believe it! We based our control on the latest video game technology, so anyone can use it.

This book explains all of the buttons and advanced functions of your remote control. Besides this, to make everything easy, the display screen on top of the remote takes you through each step quickly and clearly.

Most of the time, though, you'll probably just press "Auto Cool" when you use your Cool Impressions Air Conditioner. This will give you the temperature you like in an instant.

So just think of your remote control as a video game control – just point and shoot. It's that easy!

WHIRLPOOL CORPORATION

Important Safety Instructions

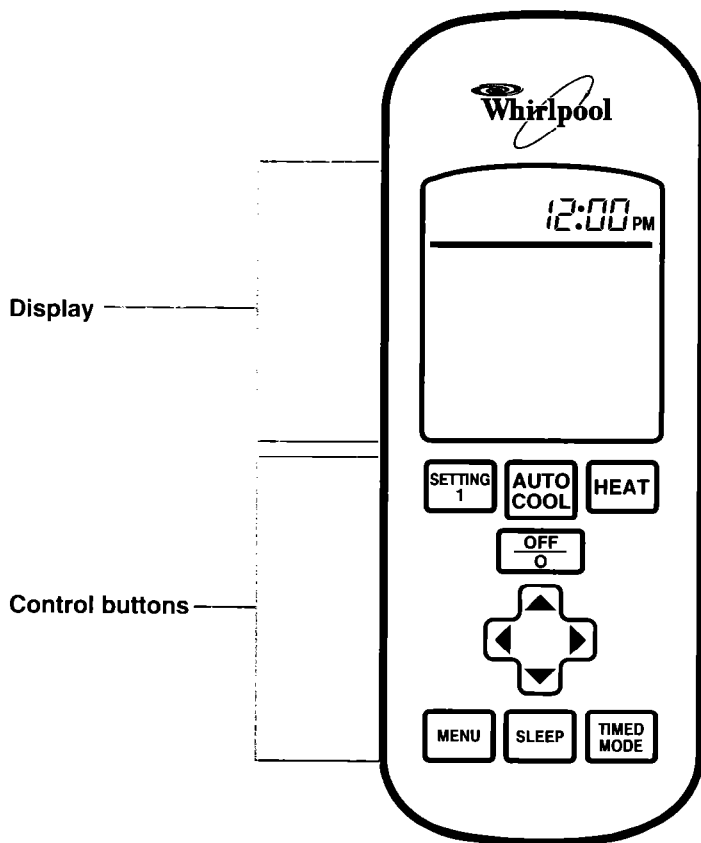
⚠ WARNING

To reduce the risk of fire, electrical shock, or personal injury when using your air conditioner, follow these basic safety precautions:

- Read all instructions before using your air conditioner.
 - Complete the installation requirements as described in the Room Air Conditioner Owner's Manual.
 - Do not allow children to operate or play with the air conditioner.
 - Do not operate the air conditioner with the front panel removed.
 - Never clean air conditioner parts with flammable fluids. The fumes can create a fire hazard or explosion.
- FOR YOUR SAFETY •
- DO NOT STORE OR USE GASOLINE OR OTHER FLAMMABLE VAPOURS AND LIQUIDS IN THE VICINITY OF THIS OR ANY OTHER APPLIANCE. THE FUMES CAN CREATE A FIRE HAZARD OR EXPLOSION.

– SAVE THESE INSTRUCTIONS –

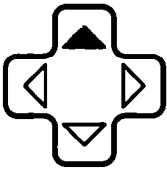
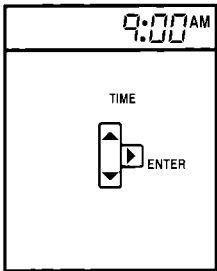
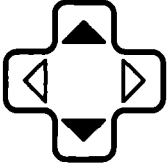
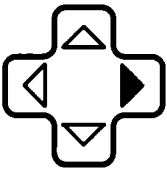
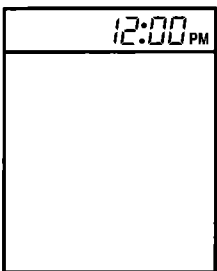
Parts and Features



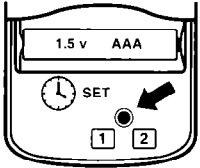
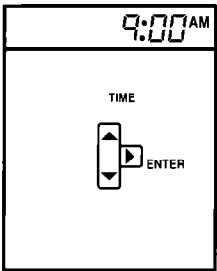
Using the Remote Control

Setting the Clock

Every time you put new batteries in the remote control, or power is interrupted, you need to set the proper time of day. Make sure the time of day is correct when using the TIMED MODE Delay Start and Delay Stop operations.

TO SET:	PRESS:	DISPLAY SHOWS:
1. Press the ▲ Button.		
2. Press the ▲ or ▼ Button to set the time. NOTE: Hold ▲ or ▼ Button down for faster time change.		
3. Press the ► Button. This completes setting the clock.		


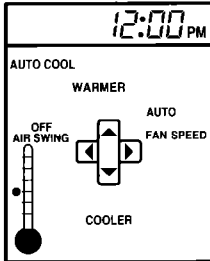
To adjust the time of day

TO ADJUST THE TIME OF DAY:	PRESS:	DISPLAY SHOWS:
1. Open the battery cover (see page 17) and press the Set Button. Then set time as shown above.		

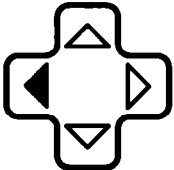
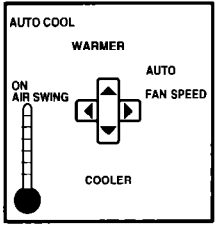
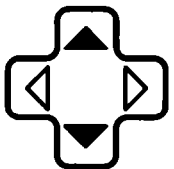
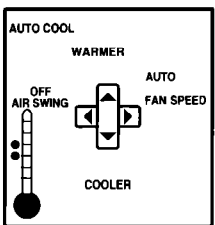
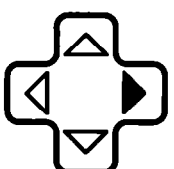
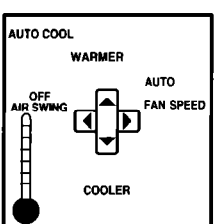
AUTO COOL Cycle

(one button operation)

The AUTO COOL Cycle is designed to provide you with the comfort you desire by continually “learning” your preferences. Once the Cycle “learns” what temperature(s) you desire, it automatically chooses a fan speed when turned on and cools the room as quickly as possible.


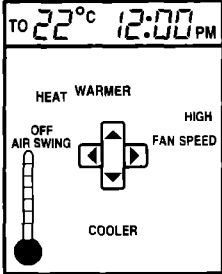

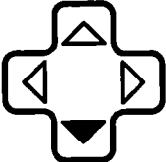
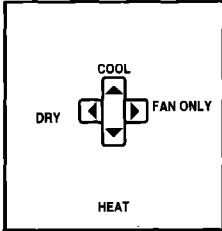
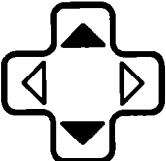


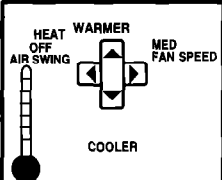
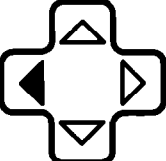
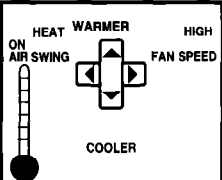
TO ACTIVATE AUTO COOL CYCLE:	PRESS:	DISPLAY SHOWS:
Press the AUTO COOL Button.		

Cycle options

OPTION:	TO ACTIVATE OPTION:	PRESS:	DISPLAY SHOWS:
<p>AIR SWING</p> <p>The Air Swing feature tells your air conditioner to move the air output louvers side-to-side and swing the cooled air through the room.</p>	<p>Press the ◀ Button.</p> <p>NOTE: Press the ◀ Button again to deactivate the Air Swing option.</p>		
<p>ADJUST AIR TEMPERATURE</p> <p>Although the AUTO COOL Cycle has an initial factory-preset cooling temperature, you may decide the room is too cool/warm.</p>	<p>Press the ▲ or ▼ Button.</p> <p>NOTE:</p> <p>▲ – warmer temperature</p> <p>▼ – cooler temperature</p>		
<p>ADJUST FAN SPEED</p> <p>Although the AUTO COOL Cycle automatically chooses the proper fan speed to cool the room, you may desire to increase or decrease the amount of air blowing into the room.</p>	<p>Press the ▶ Button to advance the Fan Speed.</p> <p>AUTO → LOW → MED → HIGH</p>		

HEAT Cycle


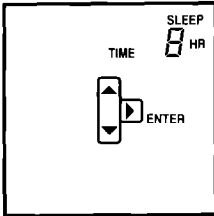
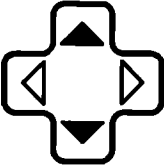
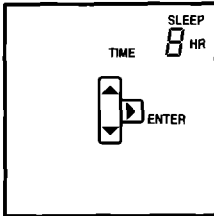
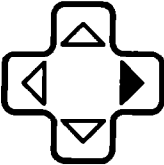
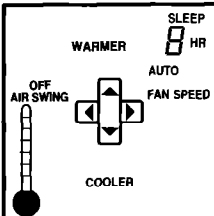
You can set a specific temperature in the Heat Cycle, if desired.

TO ACTIVATE HEAT CYCLE:	PRESS:	DISPLAY SHOWS:
<p>1. Press the HEAT Button.</p> <p style="text-align: center;">OR</p>		
<p>2. Press the MENU Button. Then press the ▼ Button to select HEAT Cycle.</p>	 	
<p>3. Press the ▲ or ▼ Button to change temperature setting. NOTE: Temperature setting shows in the top of the display.</p>		
<p>4. Press ► Button to alter fan speed (if desired). Fan Speed cycle: LOW → MED → HIGH → AUTO → LOW</p>		
<p>5. Press the ◀ Button to activate the Air Swing option (if desired). NOTE: Press the ◀ Button again to deactivate the Air Swing option.</p>		




SLEEP Cycle

The SLEEP Cycle allows your air conditioner to adjust the temperature and fan speed while you're sleeping. The cycle "learns" your preferences to optimize your comfort. You can set the SLEEP Cycle for 1 to 8 hours. The air conditioner control panel shows the setting closest to the time set for the SLEEP Cycle (4-hour cycle shows as a 5-hour cycle).

NOTE: The SLEEP Cycle can be set for cooling only.

TO ACTIVATE SLEEP CYCLE:	PRESS:	DISPLAY SHOWS:
1. Press the SLEEP Button.		
2. Press the ▲ or ▼ Button to change the SLEEP Cycle from 1 to 8 hours.		
3. Press the ► Button to enter the SLEEP Cycle time selection.		

Cycle options (For a full description of cycle options, see page 6.)

TO ACTIVATE OPTION:	PRESS:	
AIR SWING Press the ◀ Button to activate. NOTE: Press the ◀ Button again to deactivate the Air Swing option.		
ADJUST TEMPERATURE Press the ▲ or ▼ Button to adjust the temperature.		
ADJUST FAN SPEED Press the ► Button to adjust the Fan Speed.		


SETTING Button

(one button operation)

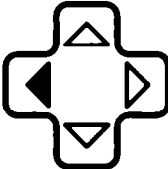
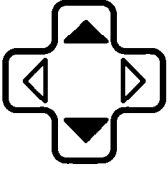
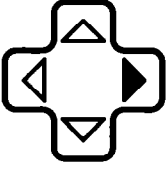
The SETTING 1 Button is preset. You can also change SETTING 1 to your preference.

NOTE: Every time you change the batteries, the SETTING 1 Button settings are lost. You will have to reset them.

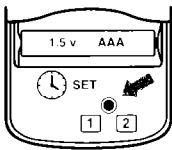
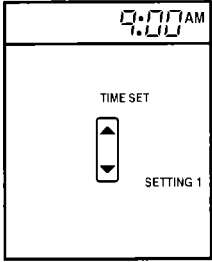
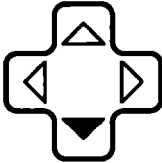
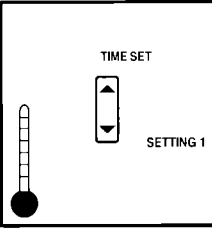
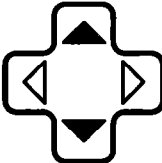
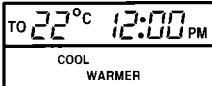
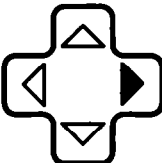
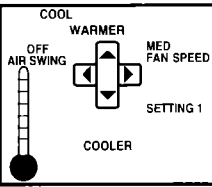
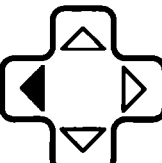
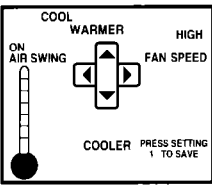

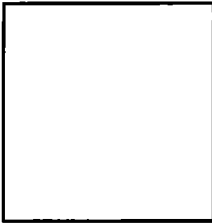
Activating a set cycle

TO ACTIVATE CYCLE:	PRESS:	DISPLAY SHOWS:
Press the SETTING 1 Button.		Cycle information

Cycle options (For a full description of cycle options, see page 6.)


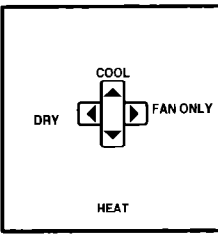
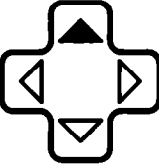
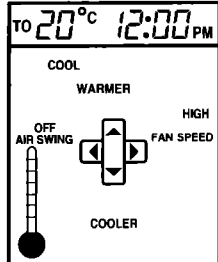

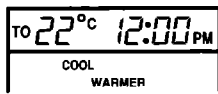
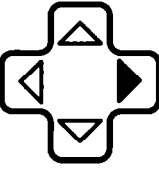
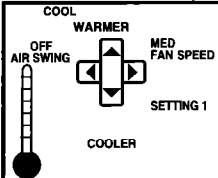
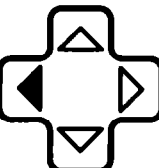
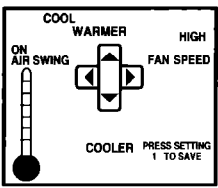
TO ACTIVATE OPTION:	PRESS:	
<p>AIR SWING Press the ◀ Button to activate. NOTE: Press the ◀ Button again to deactivate the Air Swing option.</p>		
<p>ADJUST TEMPERATURE Press the ▲ or ▼ Button to adjust the temperature.</p>		
<p>ADJUST FAN SPEED Press the ▶ Button to adjust the Fan Speed.</p>		

Changing a preset cycle

TO CHANGE:	PRESS:	DISPLAY SHOWS:
<p>1. Open the battery cover (see page 17) and press the SET Button.</p>		
<p>2. Press the ▼ Button to select SETTING 1.</p>		
<p>3. Press the ▲ or ▼ Button to change temperature setting. NOTE: Temperature setting shows in display.</p>		
<p>4. Press ► Button to alter fan speed (if desired). Fan Speed cycle: LOW → MED → HIGH → AUTO → LOW</p>		
<p>5. Press the ◀ Button to activate the Air Swing option (if desired). NOTE: Press the ◀ Button again to deactivate the Air Swing option.</p>		
<p>6. Press SETTING 1 Button.</p>		


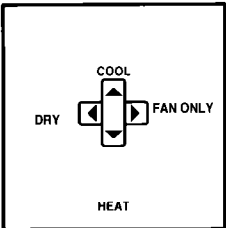
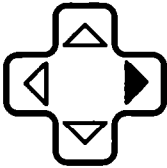
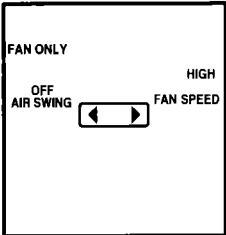
COOL Cycle

You can set a specific temperature in the COOL Cycle instead of AUTO COOL, if desired.

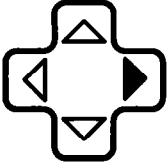
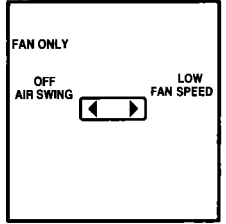
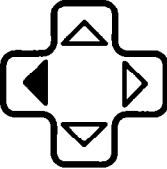
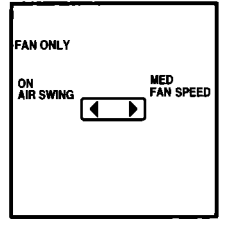
TO ACTIVATE COOL CYCLE:	PRESS:	DISPLAY SHOWS:
1. Press the MENU Button.		
2. Press the ▲ Button to select COOL Cycle.		
3. Press the ▲ or ▼ Button to change temperature setting. NOTE: Temperature setting shows in the top of the display.		
4. Press ► Button to alter fan speed (if desired). Fan Speed cycle: LOW → MED → HIGH → AUTO → LOW		
5. Press the ◀ Button to activate the Air Swing option (if desired). NOTE: Press the ◀ Button again to deactivate the Air Swing option.		

FAN ONLY Cycle

The FAN ONLY Cycle allows you to move and circulate the air in the room without cooling it.


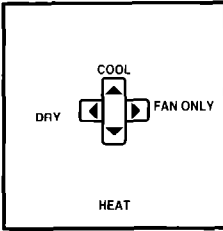
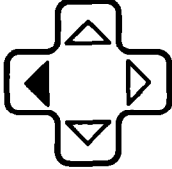
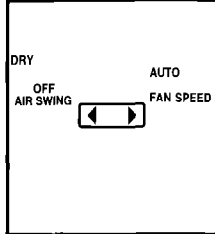
TO ACTIVATE FAN ONLY CYCLE:	PRESS:	DISPLAY SHOWS:
1. Press the MENU Button.		
2. Press the ► Button to select the FAN ONLY Cycle.		

Cycle options (For a full description of cycle options, see page 6.)

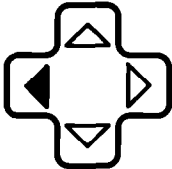
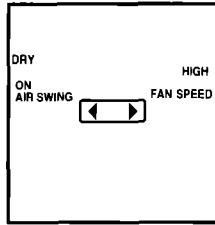
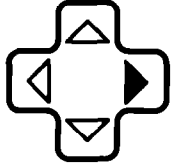
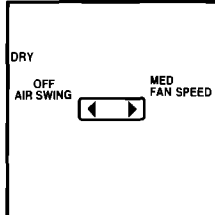
TO ACTIVATE OPTION:	PRESS:	DISPLAY SHOWS:
<p>ADJUST FAN SPEED</p> <p>Press the ► Button to alter the Fan Speed.</p> <p>Fan Speed Cycle: LOW → MED → HIGH → LOW</p>		
<p>AIR SWING</p> <p>Press the ◀ Button to activate the Air Swing option.</p> <p>NOTE: Press the ◀ Button again to deactivate the Air Swing option.</p>		

DRY Cycle

The DRY Cycle allows your air conditioner to operate as a dehumidifier. It removes excess moisture from the room air without providing significant cooling. The fan defaults to the optimal speed for the cycle.

TO ACTIVATE DRY CYCLE:	PRESS:	DISPLAY SHOWS:
1. Press MENU Button.		
2. Press the ◀ Button to select the DRY Cycle.		

Cycle options (For a full description of cycle options, see page 6.)



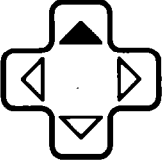
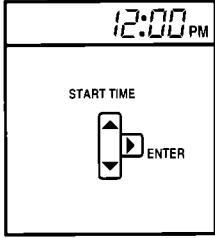
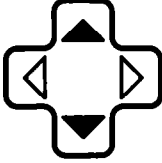
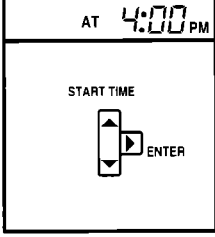
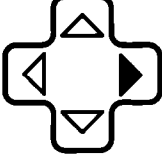
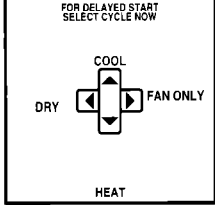
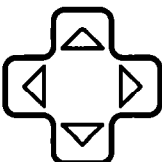

TO ACTIVATE OPTION:	PRESS:	DISPLAY SHOWS:
<p>AIR SWING</p> <p>Press the ◀ Button to activate the Air Swing option.</p> <p>NOTE: Press the ◀ Button again to deactivate the Air Swing option.</p>		
<p>ADJUST FAN SPEED</p> <p>Press the ▶ Button to alter the Fan Speed.</p> <p>Fan Speed Cycle: LOW → MED → HIGH → LOW</p>		

TIMED MODE Operation



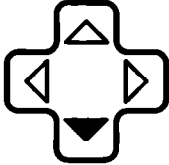
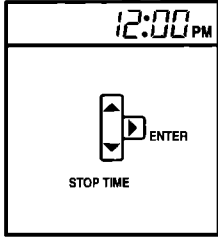
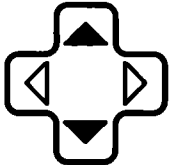
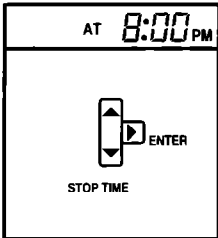
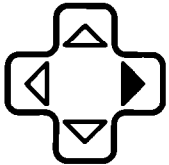
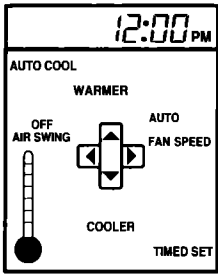
The TIMED MODE Operation allows your unit to turn on or off at selected times. You can set a Delay Start and/or Delay Stop.

IMPORTANT: Once you set a Delay Start or Stop time, the unit follows that program every day until you clear the program.



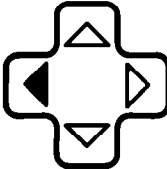
Delay Start

TO SET DELAY START:	PRESS:	DISPLAY SHOWS:
1. Press the TIMED MODE Button.		
2. Press the ▲ Button to select START TIME.		
3. Press the ▲ or ▼ Button to set the START TIME. NOTE: Hold down the ▲ or ▼ Button for faster time change.		
4. Press the ► Button to enter the START TIME.		
5. Press ▲, ▼, ►, or ◀ Button to select the desired operating cycle. NOTE: The display shows the previously running cycle information and the words TIMED SET.		



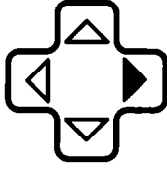
Delay Stop

TO SET DELAY STOP:	PRESS:	DISPLAY SHOWS:
<p>1. Press TIMED MODE Button.</p>		
<p>2. Press the ▼ Button to select STOP TIME.</p>		
<p>3. Press the ▲ or ▼ Button to set the desired STOP TIME.</p>		
<p>4. Press the ► Button to enter the STOP TIME.</p> <p>NOTE: The display shows the previously running cycle information and the words TIMED SET. Once the STOP TIME is reached, the air conditioner turns itself off.</p>		

To Check What is Set

TO CHECK WHAT IS SET:	PRESS:	DISPLAY SHOWS:
<p>1. Press the TIMED MODE Button.</p>		
<p>2. Press the ◀ Button to select WHAT IS SET?.</p> <p>NOTE: The Display shows the Delay Start Time and operating cycle for a few seconds followed by the Delay Stop Time for a few seconds. If no time has been set, the display returns to the previously running cycle information.</p>		

To Clear a Setting

TO CLEAR A SETTING:	PRESS:	DISPLAY SHOWS:
<p>1. Press the TIMED MODE Button.</p>		
<p>2. Press the ▶ Button to select CLEAR.</p> <p>NOTE: Display shows previously running cycle information. TIMED SET no longer shows in the display.</p>		

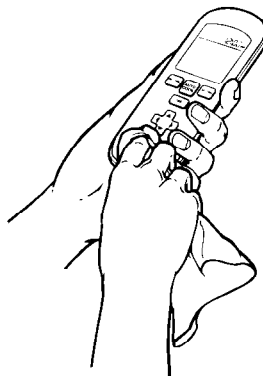
Caring for the Remote Control

Proper maintenance of your remote control ensures longer life. This section tells you how to perform general maintenance for your remote control.

Cleaning the remote control

Wipe clean with a soft, dry cloth.

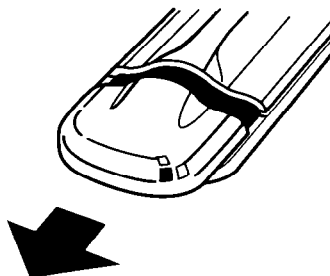
NOTE DO NOT immerse the remote control in water. Doing so could damage the batteries and the internal electronics of the remote control.



Replacing the batteries

Under normal use and operating conditions, you should replace the batteries in the remote control once a year. However, if the air conditioner stops responding to the remote control, the batteries could be low and need to be changed.

BATTERIES: (2) AAA Alkaline



IMPORTANT: Every time you replace the batteries or cut the power to the remote control, your **SETTING 1 Button** loses its program and the time of day setting. You will have to reprogram the **SETTING 1 Button** and the time of day.

Troubleshooting

Performance problems often result from little things you can find and fix yourself, without tools of any kind. Check the chart below for problems you can fix. It could save you the cost of a service call.

PROBLEM	POSSIBLE SOLUTION
Unit starts unexpectedly	Check if Delay Start is set. See pages 14-16 for more information on TIMED MODE Operations.
Unit stops unexpectedly	Check if Delay Stop is set. See pages 14-16 for more information on TIMED MODE Operations. Make sure unit is plugged into a live circuit with proper voltage. Check if a household fuse has blown or the circuit breaker tripped. Make sure unit is turned on. See if the local power has failed.
Unit does not respond to remote control	Replace the batteries in the remote control. If this does not work, call for service on your remote control.
Unit does not remember your cycle settings	Every time you replace the batteries or cut the power to the remote control, your SETTING 1 Button loses its setting and the time of day setting. You will have to reset the SETTING 1 Button and the time of day.

Obtaining Service

If the problem is not due to an item listed in the chart above ...

Contact the dealer from whom you purchased the unit or an authorized Whirlpool* service company.