



*Frigidaire*

## Factory Parts Catalog

Product No.	CPLMV169DCD
Market	Canada
Color	stainless steel
Volts	120
Watts	1000
Wiring Diagram	5995466074
Owner's Guide	316137231
Installation Instructions	316137234

 **Electrolux**

Electrolux Major Appliances  
North & Latin America  
5855 TERRY FOX WAY  
MISSISSAUGA, ONTARIO, CANADA L5V  
3E4

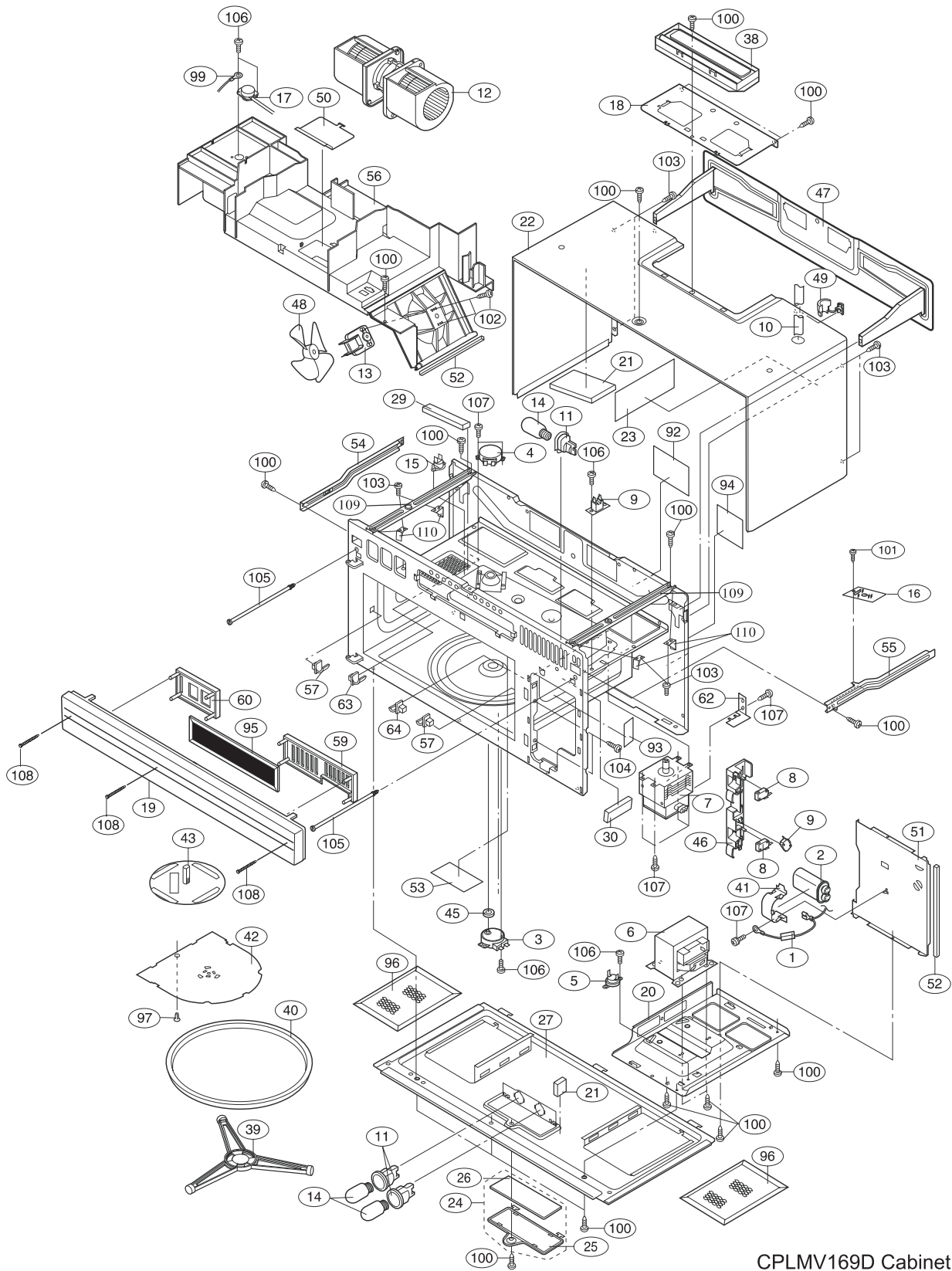
Publication No.  
**5995466074**  
06/05/10  
(EN/SERVICE/KC)  
099

**OVER-RANGE  
MICROWAVE**

Model No.  
**CPLMV169D**

Copyright © 2006 Electrolux Home Products, Inc.  
All rights reserved.

**OVEN, CABINET**

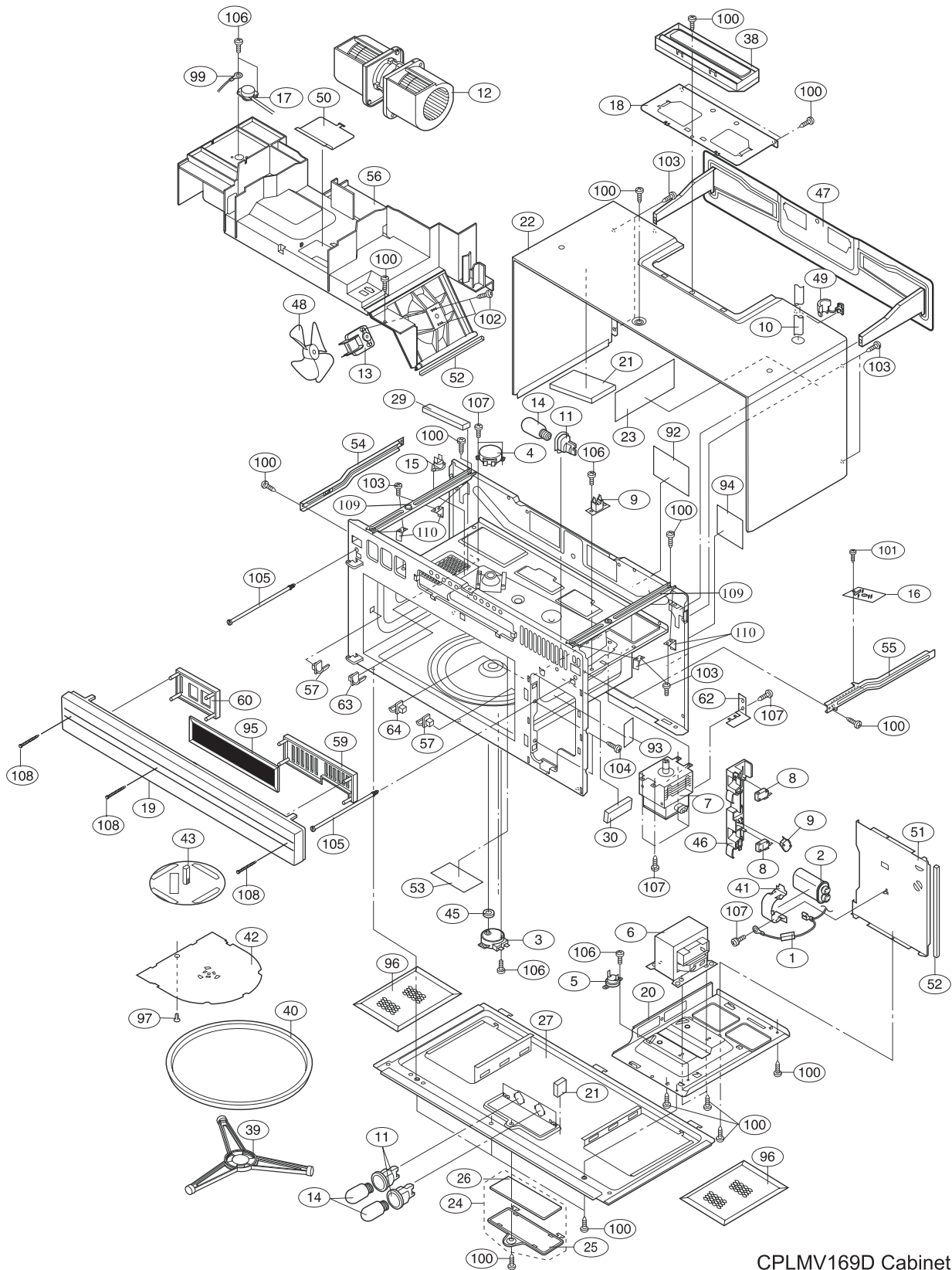


CPLMV169D Cabinet

**OVEN,CABINET**

POS. NO	PART NO.	DESCRIPTION
1 #	5304440019	Rectifier, high voltage
2 #	5304440342	Capacitor, high voltage
3 #	5304448488	Motor, turntable
4 #	5304448489	Motor, stirrer fan
5 #	5304440023	Thermal Cutout, hood
6 #	5304456053	Transformer, power
7 #	5304440025	Magnetron
8 #	5304440026	Switch, interlock, door sensor
9 #	5304440027	Switch Kit, monitor, with CT fuse
10 #	5304440028	Power Cord, electric
11 #	5303319561	Receptacle, lamp socket, oven
12 #	5304440029	Motor, hood fan
13 #	5304448490	Motor, cooling fan
14	5304440031	Lamp, incandescent, 20 W, (3)
15 #	5304440032	Thermal Cutout, oven cavity
16 #	5303322968	Filter, noise, electronic
17 #	5304440033	Sensor, humidity, cook control
18	5304440232	Plate, rear stay
19	5304456054	Grille, exhaust, stainless steel
20	5304440236	Base, transformer mtg, right side
21	5304440237	Cushion, cabinet
22	5304445465	Cabinet, outer casing, black
23	5304440344	Wiring Diagram, schematic
24	5303319573	Lens/Frame Assy, lamp
25	5303319574	Frame, lens holder
26	5303319575	Lens, cooktop lamp, glass
27	5304451823	Cover, unit base
29	5304441369	Cushion, cavity top pnl
30	5304441370	Cushion, magnetron pad
38	5304440283	Damper Assy, exhaust
39	5304440284	Support Assy, turntable
40	5304440285	Tray, turntable, glass
41	5303319587	Retainer, capacitor strap
42	5304440286	Cover, stirrer fan
43 #	5304440287	Stirrer Assembly
45	5304440288	Bushing, motor shaft, turntable
46	5304440289	Latch Hook
47	5304440290	Bracket, unit mtg plate, rear
48 #	5304440291	Fan Blade, mag cooling fan
49	5303319605	Bushing, power cord
50	5304440292	Cover, oven lamp
51	5304440293	Duct, hood intake, right side
52	5304440294	Cushion, intake duct
53	5304440295	Lens, lamp filter
54	5304440296	Support, chassis, left side
55	5304440297	Support, chassis, left side
56	5304440298	Duct, exhaust hood
57	5304440299	Support, rack, front
59	5304440301	Cover A, grille louver
60	5304440302	Cover B, grille louver
62	5304440304	Bracket, air guide, magnetron

OVEN, CABINET



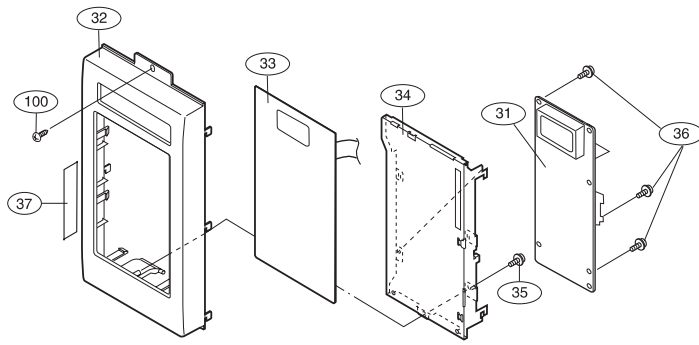
CPLMV169D Cabinet

**OVEN,CABINET**

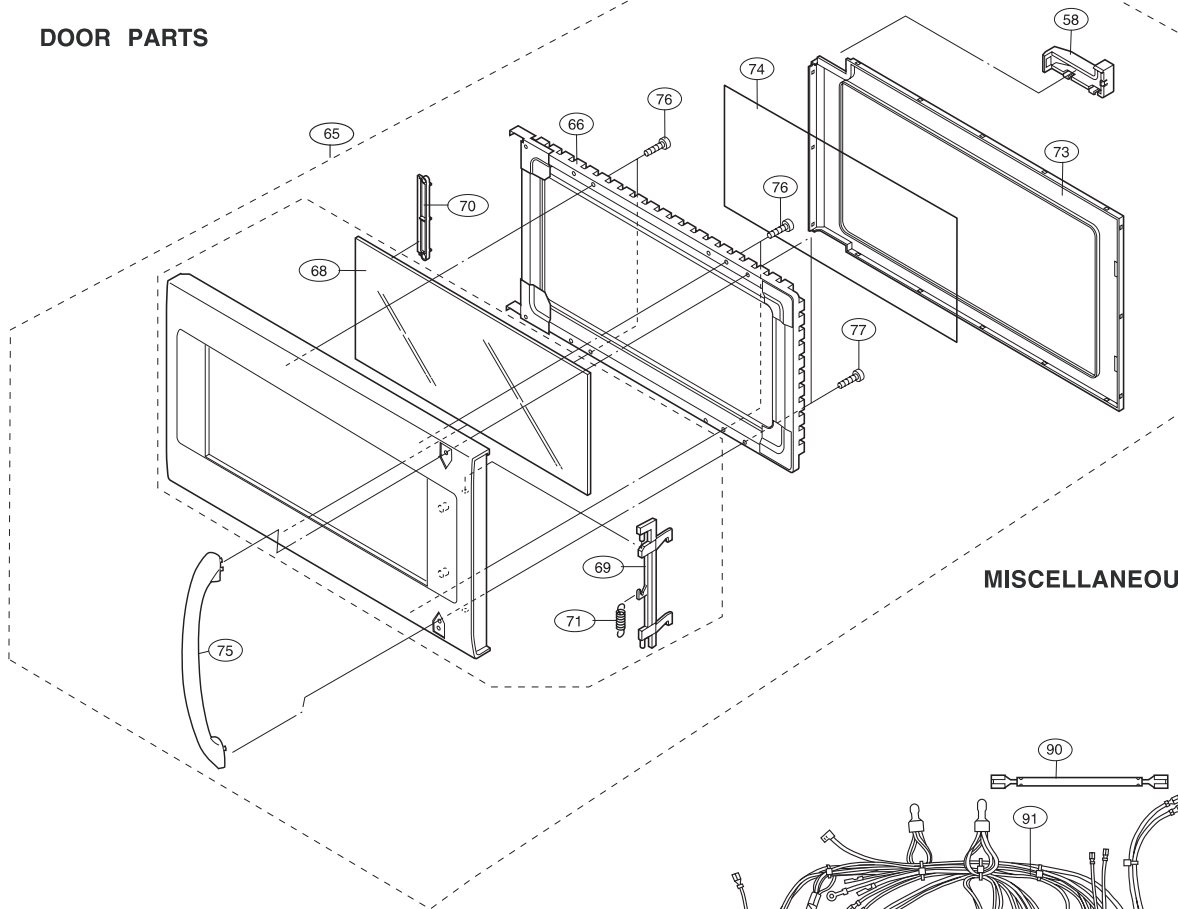
---

POS. NO	PART NO.	DESCRIPTION
63	5304441371	Support, rack, left rear
64	5304441372	Support, rack, right rear
92	5304440333	Label, Caution-DHHS
93	5304440334	Label, Caution-monitor
94	5304451533	Label, NHW caution
95	5304440335	Filter, inside exhaust, charcoal
96	5304440336	Filter, grease
97	5304440337	Clip, canoe type, stirrer cover
99 #	5304440339	Wire, sensor ground
100	5304440340	Screw, 4mm x 12mm
101	5304451553	Screw, 4 mm x 12 mm
102	5303319637	Screw, 4mm x 8mm
103	5303319639	Screw, wrapper, back
104	5303319641	Screw
105	5304440341	Screw, unit mounting
106	5304453725	Screw, 3mm x 8mm
107	5303319636	Screw
108	5303319640	Screw, vent grille, black
109	5304441877	Support, chassis
110	5304445468	Gusset, chassis support

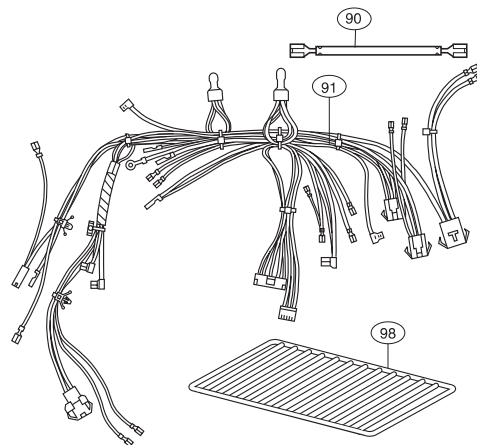
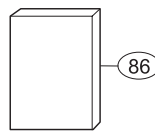
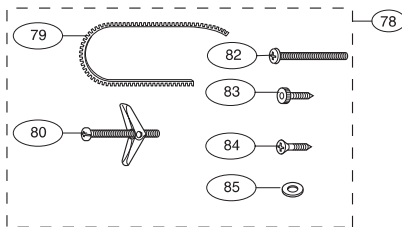
**CONTROL PANEL,DOOR,MISC.**



**DOOR PARTS**



**MISCELLANEOUS**



CPLMV169D controls

**CONTROL PANEL,DOOR,MISC.**

POS. NO	PART NO.	DESCRIPTION
31 #	5304440345	Control Board, printed circuit
32	53044448491	Frame, control panel, stainless steel
33 #	5304443989	Touch Control, key pad, black
34	5304440281	Panel, control mount
35	5303319584	Screw, control panel, 3mm x 10mm
36	5304440282	Screw, control board, 3mm x 10mm
37	5304440346	Label, User Caution
58	5304440300	Door Stop
65	5304453894	Door Assy, complete, stainless steel, with handle
66	5304440305	Panel, inner door, black
68	5304440311	Panel, glass, door front
69	5304440314	Latch, door
70	5304440315	Clip, glass retainer, door
71	5304440316	Spring, door latch
73	5304440320	Frame, choke cover, inner door
74	5304440321	Seal, door, film
75	5304456145	Handle, door, stainless steel
76	5304451561	Screw, 4 mm x 8 mm
77	5304456146	Screw, 4 mm x 12 mm
78	5303319625	Hardware, installation, kit
79	5303318761	Sleeve, power cord, grommet
80	5303318762	Screw, toggle
82	5304453722	Screw, 5mm x 60mm
83	5304451553	Screw, 4 mm x 12 mm
84	5304453723	Screw, 5mm x 35mm
85	5304453724	Washer
86	5304440329	Template, installation, top
86	5304440330	Template, installation, wall
90 #	5304440331	Wire, high voltage-A
91 #	5304440347	Wiring Harness, main-A
98	5304440338	Rack, microwave oven, wire
100	5304440340	Screw, 4mm x 12mm

### WIRING SCHEMATIC

**SCHEMATIC**  
NOTE: CONDITION OF OVEN  
1. DOOR CLOSED  
2. CLOCK APPEARS ON DISPLAY

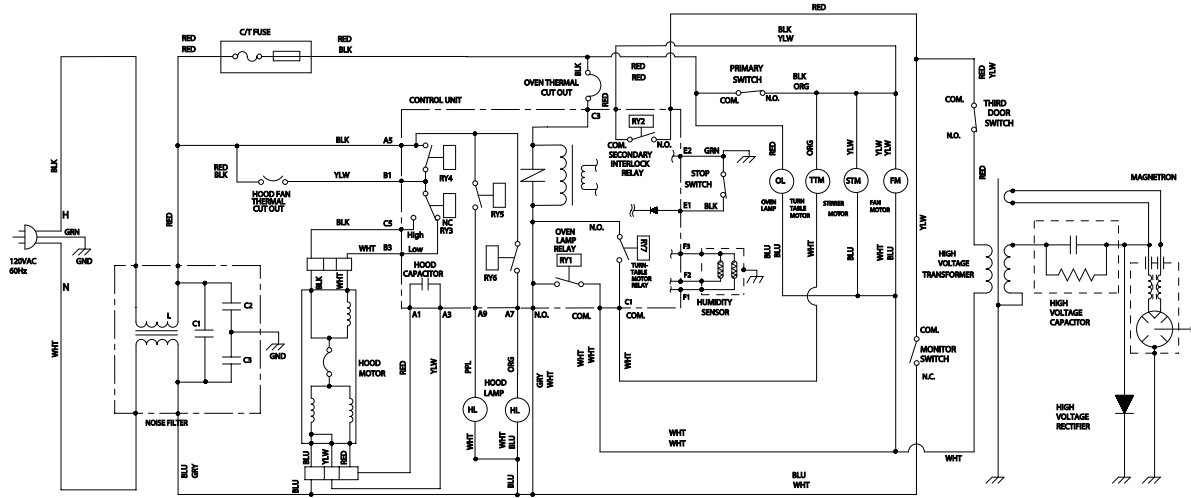


Figure O-1. Oven Schematic-Off Condition

**SCHEMATIC**  
NOTE: CONDITION OF OVEN  
1. DOOR CLOSED  
2. COOKING TIME PROGRAMMED  
3. VARIABLE COOKING CONTROL "HIGH"  
4. "START" PAD TOUCHED

