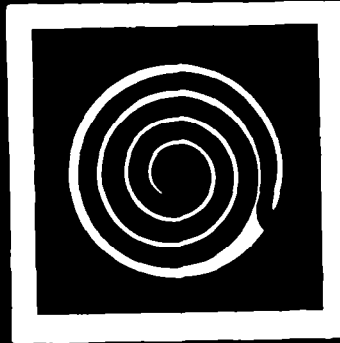


Installation Instructions



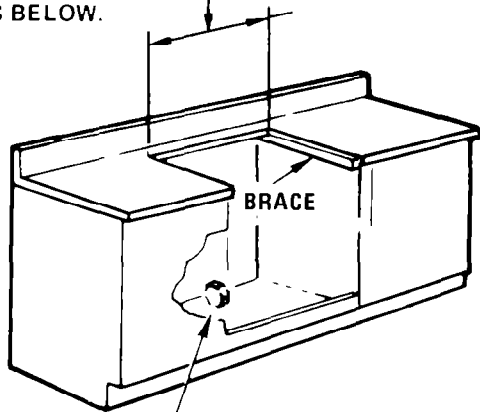
**for
your new**

Whirlpool

ELECTRIC

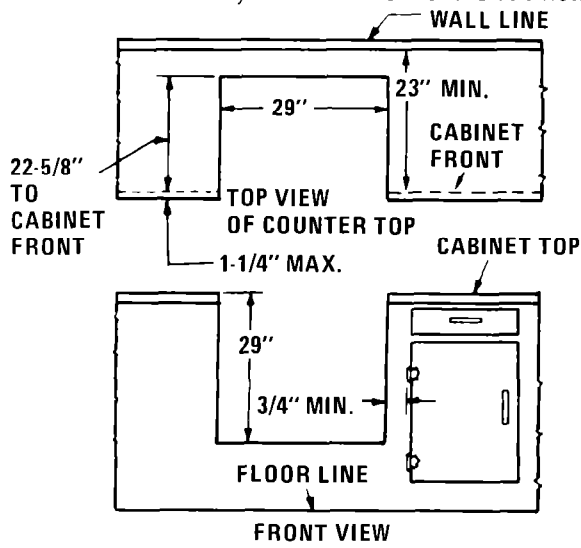
**SELF CLEANING SET-IN UNIT
WITH CONVERTIBLE TOP**

FOR CUT-OUT DIMENSIONS
SEE FRONT AND
TOP VIEWS OF
CABINETS BELOW.

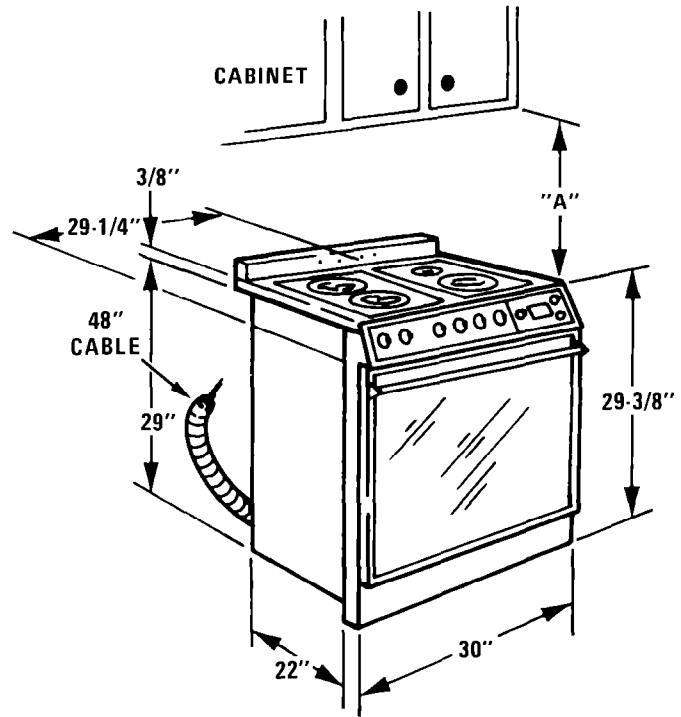


ELECTRIC SUPPLY JUNCTION BOX. LOCATE ON FLOOR OR ON WALL NEAR FLOOR LINE, IN ADJOINING CABINETS.

CAUTION: To eliminate the hazard of reaching over heated surface units, cabinet storage space located above the surface units should be avoided. If cabinet storage is to be provided, the hazard can be reduced by installing a range hood that projects horizontally a minimum of 5 inches beyond the bottom of the cabinet.



FRONT VIEW
FIGURE 1

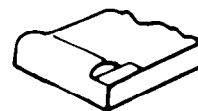


"A" = 30" MIN. CLEARANCE BETWEEN TOP OF THE COOKING PLATFORM AND THE BOTTOM OF AN UNPROTECTED WOOD OR METAL CABINET.

"A" = 24" MIN. WHEN BOTTOM OF WOOD OR METAL CABINET IS PROTECTED BY NOT LESS THAN 1/4" ASBESTOS MILLBOARD COVERED WITH NOT LESS THAN NO. 28 MSG. SHEET STEEL, 0.015" STAINLESS STEEL, 0.024" ALUMINUM OR 0.020" COPPER.

NOTES:

1. Product hangs from burner box flange over countertop and is secured by four screws through front frame into cabinets.
2. When product is installed in a countertop with a formed front edge, it may be necessary to "shave" it to the flat area height of countertop and the width held to the 30" dimension. (See sketch.)



1. GENERAL

The installation must conform to any local codes. Remove all cords, tape and wire used to hold various parts in position during transportation.

2. CARPENTRY

Prepare the cutout space, shown in Figure 1, in the desired location in the countertop and cabinet. Note countertop to cabinet face mounting dimension in Figure 2. Install 1" x 2" braces as shown in Figure 2 on both sides of cutout to prevent any sag of countertop. All dimensions in Figures 1 and 2 must be adhered to, and adjoining cabinets must be plumb and level before attaching countertop to cabinets.

COUNTER TOP (FORMED OR SQUARE EDGE)

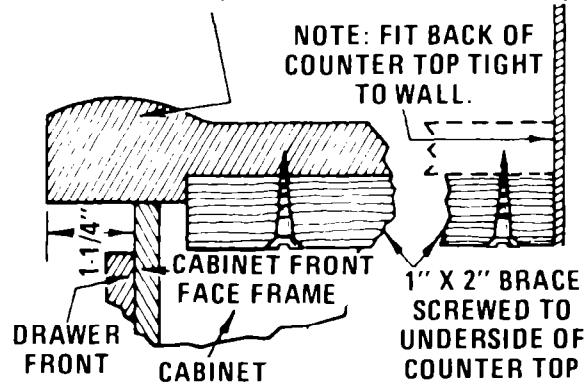


FIGURE 2

(Continued)

3. ELECTRICAL REQUIREMENTS

OBSERVE ALL GOVERNING CODES AND ORDINANCES

SAVE THESE INSTRUCTIONS FOR THE LOCAL ELECTRICAL INSPECTOR'S USE.

A. A three-wire or four-wire single phase 120/240 Volt, 60 Hz AC only electrical supply (or three-wire or four-wire 120/208 Volt is specified on nameplate) is required on a separate circuit fused on both sides of the line (time-delay fuse or circuit breaker is recommended). DO NOT fuse neutral. The fuse size must not exceed the circuit rating of the appliance specified on the nameplate.

NOTE: Wire sizes and connections must conform with the fuse size and rating of the appliance in accordance with the National Electrical Code and local codes and ordinances. Do not use an extension cord.

B. The appliance should be connected to the fused disconnect (or circuit breaker) box through flexible armored or non-metallic sheathed cable. The flexible armored cable extending from the appliance should be connected directly to the junction box. The junction box should be located as shown in Figure 1 so as much slack as possible remains in the cable between the box and the appliance so it can be moved if servicing is ever necessary.

C. A suitable strain relief must be provided to attach the power supply cord to the junction box.

4. ELECTRICAL CONNECTION

It is the personal responsibility and obligation of the customer to contact a qualified installer to assure that the electrical installation is adequate and is in conformance with the National Electrical Code and local code ordinances.

ELECTRICAL GROUND IS REQUIRED ON THIS APPLIANCE.

This appliance is equipped with copper lead wires. If connection is made to aluminum house wiring, use only special connectors which are approved for joining copper and aluminum wires in accordance with the National Electrical Code and local codes and ordinances.

This appliance is manufactured with a white neutral power supply wire and a frame connected green ground wire.

A. If local codes permit connection of the frame grounding conductor to the neutral (white wire), connect the green and white wire from the supply cable of the appliance together and to the neutral (white) wire in the junction box. Connect the remaining wires from the supply cable, matching colors to the wires in the junction box.

B. If used in mobile home or if local codes DO NOT permit frame grounding to the neutral, separate the white and green wires that extend out of the end of the supply cable of the appliance. Connect the white wire from the supply cable to the neutral wire. Connect the black and red wire from the supply cable, matching the colors, to the corresponding wires in the junction box. The green wire must now be used to ground the appliance in accordance with local electrical codes. Connect the insulated green colored copper ground wire to a grounded cold water pipe* or to the grounded lead in the service panel. Do not ground to a gas supply pipe. Do not connect to electrical power supply until appliance is permanently grounded. Connect the ground wire before turning on the power (see Figure 3).

CAUTION: If connecting to a four-wire electrical system (mobile home) the appliance frame **MUST NOT** be connected to the neutral wire of the four-wire electrical system. Separate the white and green wires that extend out of the end of the supply cable of the appliance. Connect the white, red and black wires from the supply cable, matching the colors, to the corresponding wires in the junction box. Connect the green wire from the supply cable to the ground wire in the junction box.

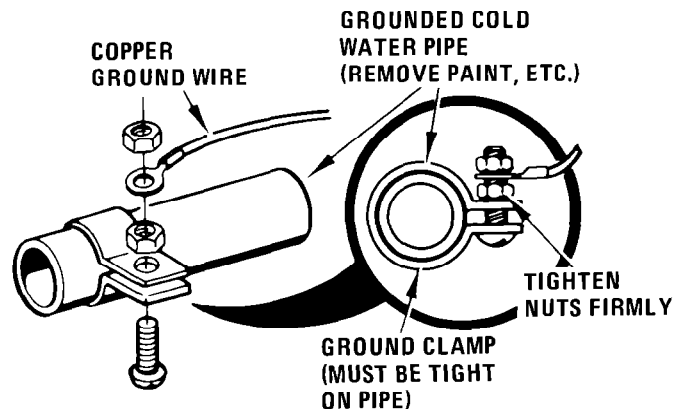


FIGURE 3

*Cold water pipe must have metal continuity to electrical ground and not be interrupted by plastic, rubber or other electrically insulating connectors (including water meter or pump) without adding a jumper wire at these connections.

5. INSTALLATION

Insert appliance into cut-out. Screws are provided for fastening the appliance to the counter top. The mounting bracket holes in the hanger bracket may be used as a template to locate the four appliance mounting screw holes.

NOTE: It may be helpful to remove the Oven Door when installing the oven in the cut-out. Refer to the instructions on page 4 for removing the Oven Door.

Next remove the burner modulars and set them in a safe place.

Then remove the four screws that secure the cooktop frame to the range. See Figure 4.

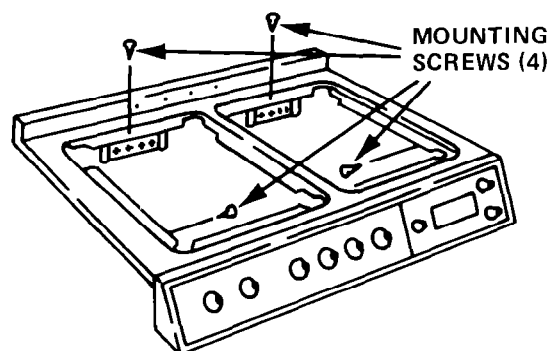


FIGURE 4

Lift the cooktop frame up at the front and support as shown in Figure 5.

Use the four mounting bracket holes in the hanger brackets as templates to locate the four appliance mounting screw holes. See Figure 5.

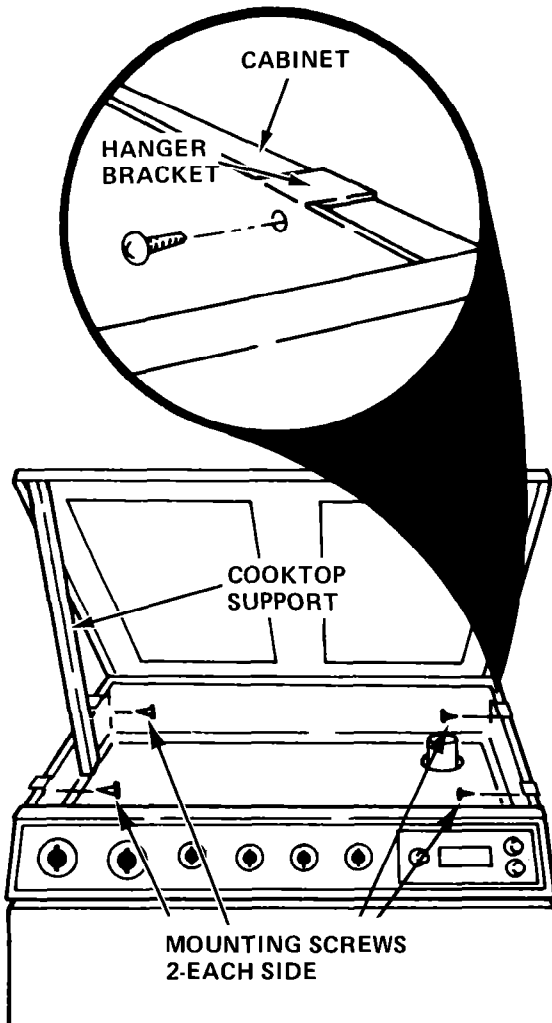


FIGURE 5

CAUTION: For your personal safety, and to minimize potential personal injury, the range must be securely fastened to the cabinet, using the four screws that are provided.

6. OVEN DOOR REMOVAL

Open Oven Door to broil position. Grasp the door firmly at sides, lift up and away from the range. To replace, slip hinge arms into door slots. With hand or knee, push door in at bottom until it clicks. Then close door (see Figure 6).

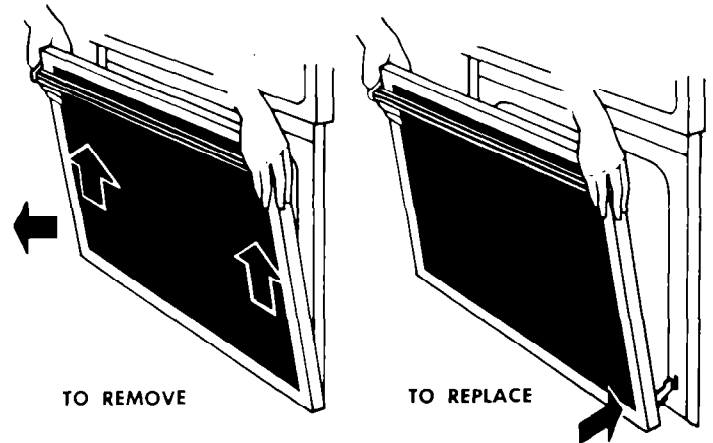


FIGURE 6

7. CHECKING OVEN CONTROLS

CAUTION: Do not touch the elements. They may be hot and you may get burned.

Preheat—Turn the Oven Selector Knob to "Preheat" and set the Oven Temperature Knob to 350°F. Both the Upper and Lower Oven Elements should become red and the Signal Light should glow. When the oven reaches the desired temperature, the light will glow out.

Bake—After the oven is "Preheated" set the Oven Selector Knob to "Bake". The Oven Selector Light is designed to turn on and off during baking as the Bake Element cycles on and off.

Broil—Turn the Oven Selector Knob to "Broil" and set the Oven Temperature Knob to "Broil". The Top Element should become red and the Signal Light should glow.

CLOCK


Refer to the Use and Care Guide for proper operation of the clock.

SERIAL PLATE LOCATION

The Serial Plate is located on the upper left corner of the oven front frame.

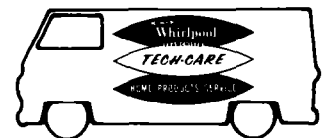
BEFORE YOU CALL FOR SERVICE

Check to make sure the house fuses or circuit breaker for your oven are not blown or open.



In the event your WHIRLPOOL appliance should need service, call the dealer from whom you purchased the appliance or a WHIRLPOOL franchised TECH-CARE® service company. He is in the Yellow Pages of your telephone directory listed under Washers, Dryers—Repairing or Servicing. You can also obtain his name and number by dialing, free, within the continental United States (except Alaska) the Whirlpool COOL-LINE® Service (800) 253-1301 (when calling from Michigan, dial (800) 632-2243; from Alaska or Hawaii, dial (800) 253-1121); Dial just as you normally dial long distance. A special operator will tell you the name and number of your nearest Whirlpool TECH-CARE service outlet. During normal working hours, Whirlpool consultants at this same number will also answer any questions about operating or maintaining your appliance not covered in your Operating Instructions.

Learn the benefits of using TECH-CARE service for maintaining the quality originally built into your WHIRLPOOL appliance.



WHIRLPOOL CORPORATION BENTON HARBOR, MICHIGAN 49022