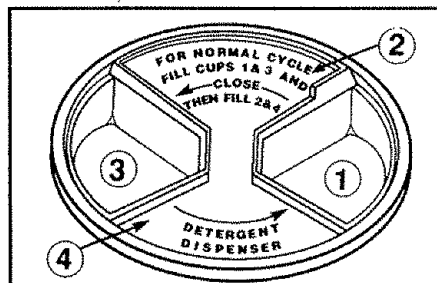


Before Operating Your Dishwasher:

Read your Dishwasher Owner's Guide. It contains IMPORTANT SAFETY AND WARRANTY INFORMATION. It also contains many suggestions for obtaining the best results from your dishwasher.

To Operate Your Dishwasher:

1. Load dishwasher according to directions (see reverse side).
2. Add detergent to detergent cups (see directions below).
NOTE: Use granular detergent for best results.
3. Close door but do not lock.



POTS PANS, HEAVY SOIL, NORMAL SOIL Cycles

Add detergent to cups 1 and 3. Rotate lid counter-clockwise. Add detergent to cups 2 and 4. Cups 1 and 3 should be covered.

LIGHT SOIL Cycle

Add detergent to cups 1 and 3. Rotate lid counter-clockwise. Cups 1 and 3 should be covered.

NOTE: See Owner's Guide for details on amount of detergent.

4. Push CYCLE SELECTOR button for desired wash or rinse cycle (see Wash Cycle Selections which follow).
5. Push OPTION SELECTOR buttons (see Energy Options which follow).
6. Turn TIMER KNOB clockwise to selected cycle. Knob will click into position at the beginning of each cycle selection.
7. Connect portable dishwasher to sink (see reverse side).
8. To start, move latch to the right to LOCK position. ON indicator light will glow throughout wash, rinse and dry portions of cycle.
9. Disconnect portable dishwasher from sink (see reverse side).

NOTE: Motor sounds will be heard before water enters tub.

NOTE: WASH CYCLE selected from push buttons must match cycle selected by TIMER KNOB.

Wash Cycle Selections:

Select appropriate wash cycle from descriptions below. If you are unsure about which cycle to use, check the "Dishwashing Suggestions" chart in your Owner's Guide.

Rinse Hold

(15 minutes)(2 rinses)(5 gallons)
For rinsing dishes that will be washed later.

1. Do not use detergent. Close door but do not lock.
2. Push NORMAL SOIL button.
3. Push RINSE HOLD button.
4. Turn TIMER KNOB clockwise to RINSE HOLD position.
5. To start, move latch to LOCK position.

Light Soil

(60 minutes)(1 wash, 2 rinses, dry)(7.5 gallons)

For lightly soiled dishes and silverware.

1. Add detergent to cups 1 and 3 only. Close door but do not lock.
2. Push LIGHT SOIL button.
3. Push OPTION SELECTOR buttons.
4. Turn TIMER KNOB clockwise to LIGHT SOIL position.
5. To start, move latch to LOCK position.

Normal Soil

(66 minutes)(2 washes, 2 rinses, dry)(10 gallons)
For regularly soiled dishes and silverware.

1. Add detergent to cups 1, 2, 3 and 4. Close door but do not lock.
2. Push NORMAL SOIL button.
3. Push OPTION SELECTOR buttons.
4. Turn TIMER KNOB clockwise to NORMAL SOIL position.
5. To start, move latch to LOCK position.

Heavy Soil

(74 minutes)(2 washes, 3 rinses, dry)(12.5 gallons)
For heavily soiled dishes, silverware, cookware and other items that might require a double wash.

1. Add detergent to cups 1, 2, 3 and 4. Close door but do not lock.
2. Push HEAVY SOIL button.
3. Push OPTION SELECTOR buttons.
4. Turn TIMER KNOB clockwise to HEAVY SOIL position.
5. To start, move latch to LOCK position.

Pots Pans

(81 minutes)(2 washes, 4 rinses, dry)(15 gallons)
For cleaning sticky pots, greasy broiler pans, encrusted casseroles and dinnerware.

1. Add detergent to cups 1, 2, 3 and 4. Close door but do not lock.
2. Push POTS PANS button.
3. Push OPTION SELECTOR buttons.
4. Turn TIMER KNOB clockwise to POTS PANS position.

5. To start, move latch to LOCK position.

Energy Options:

Water Heat Option

When WATER HEAT option is selected, the heating element in the bottom of the tub will raise the main wash and final rinse water temperature to approximately 140°F. Wash action will continue but timer will not advance until this water temperature has been reached. The hotter water provided by this option helps activate dishwasher detergent to clean food, grease and soil from dishes. WATER HEAT can be used with any cycle except RINSE HOLD.

The WATER HEATING light will glow until the water temperature reaches 140°F.

To turn off WATER HEAT option, push the RESET OPTIONS button.

Cool Dry Option

Push COOL DRY button to turn heating element off during drying portion of cycle. COOL DRY setting saves electricity. Additional drying time may be required, with door open, to completely air dry dishes. Some water droplets may remain on the door and in areas where dishes touch dishwasher basket or rack.

To turn COOL DRY option off and select a heated drying period, push RESET OPTIONS button. If COOL DRY option is not selected, a heating element warms air inside tub for fast drying. When drying period is completed and heating element turns off, dishes will continue to dry.

NOTE: The drying option may be changed at any time during the cycle and affects only the drying period.

Connecting the Portable Dishwasher:

1. Pull power cord from compartment at rear center of dishwasher. Plug it into a properly grounded electrical outlet.
2. Run hot water to clear water pipe of cool water. Turn water faucet off.
3. Attach water hose to faucet. Push down on collar. When coupler is in place on faucet, release collar. Check to make sure it is securely attached by pulling downward on coupler (see your Owner's Guide for more details).
4. Turn on hot water.

NOTE: Push red button on side of coupler to get water from sink while dishwasher is operating.

Disconnecting the Portable Dishwasher

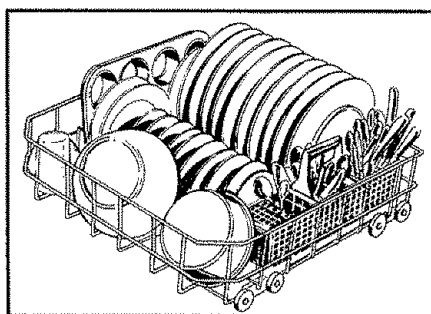
1. Turn off hot water faucet and **release pressure in hose by pressing red button** on side of coupler.
2. Push down on collar of coupler to disconnect it from faucet and drain any water from coupler.
3. Return hose and power cord to storage compartment at rear of dishwasher.

How to Load:

Loading the Bottom Rack

Load large plates, bowls, casserole dishes, silverware, and pots and pans on bottom rack.

A lid is provided on a section of silverware basket to hold small items such as measuring cups, baby spoons and baby bottle nipples. Be sure items do not protrude through holes in basket or extend high enough to stop rotation of spray arm.

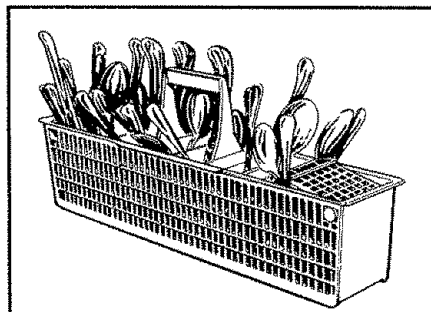


NOTE: Place items on racks with soiled surfaces facing center of rack. Be sure large items do not block detergent dispenser preventing it from opening during wash cycle.

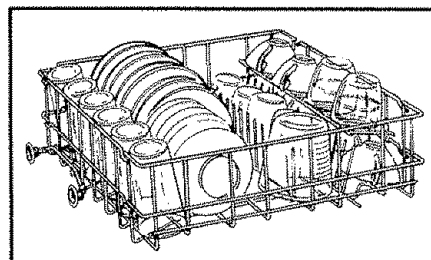
NOTE: See your Owner's Guide for additional loading instructions.

Loading the Top Rack

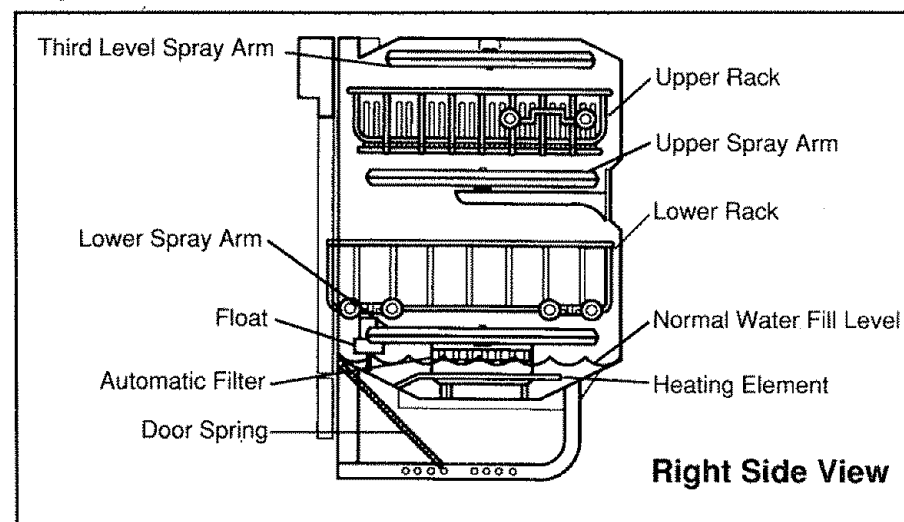
Load glasses, cups, bowls, "dishwasher safe" plasticware, and miscellaneous items on top rack.



The utility shelf can be folded down over short items for more loading space. When using utility shelf, alternate items with layer below, so that wash water can reach all inside surfaces. Make sure second level of items is not too tall for rack to slide back into dishwasher.



Important Parts of Your Dishwasher:



It is Normal:

1. To have short pauses during the operation of the dishwasher.
2. For a small amount of water to remain in the bottom of the tub
3. To hear water entering the dishwasher as it fills.
4. To hear water being pumped out of the dishwasher as it drains
5. To hear the timer clicking as the dishwasher cycles advance.

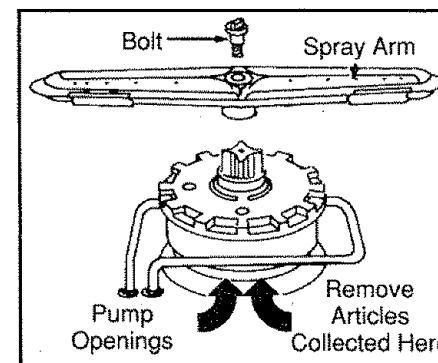
Cleaning the Pump and Spray Arms:

Your dishwasher will flush away all normal food soils. However, objects (bones, fruit pits, etc.) may collect in openings and should be removed to avoid clogging drain system.

CAUTION To prevent injury, allow machine to cool before cleaning.

CAUTION Be careful when cleaning around pump area. There may be glass fragments from broken glass items.

1. Remove plastic bolt by turning it counter-clockwise
2. Lift out spray arm. Clean out spray holes.
3. Clean in and around pump openings.
4. Replace spray arm. Tighten bolt securely. Spray arm should rotate freely.



Before you call for Service:

Please check the "Avoid Service Checklist" in your Dishwasher Owner's Guide. It lists many operating problems and solutions that you can fix yourself.