



# Electrolux

## Factory Parts Catalog

Product No.	EI30BM5CHBB	EI30BM5CHSB	EI30BM5CHWB	EI30BM5CHZB
Market	Canada	Canada	Canada	Canada
Color	black	stainless steel	white	zebra
Volts	120	120	120	120
Watts	1000	1000	1000	1000
Wiring Diagram	5995554986	5995554986	5995554986	5995554986
Owner's Guide	316495049 Rev A	316495049 Rev A	316495049 Rev A	316495049 Rev A
Installation Instructions	316495050	316495050	316495050	316495050

# Electrolux

Electrolux Major Appliances  
 North & Latin America  
 P.O. BOX 212378  
 AUGUSTA, GA 30917

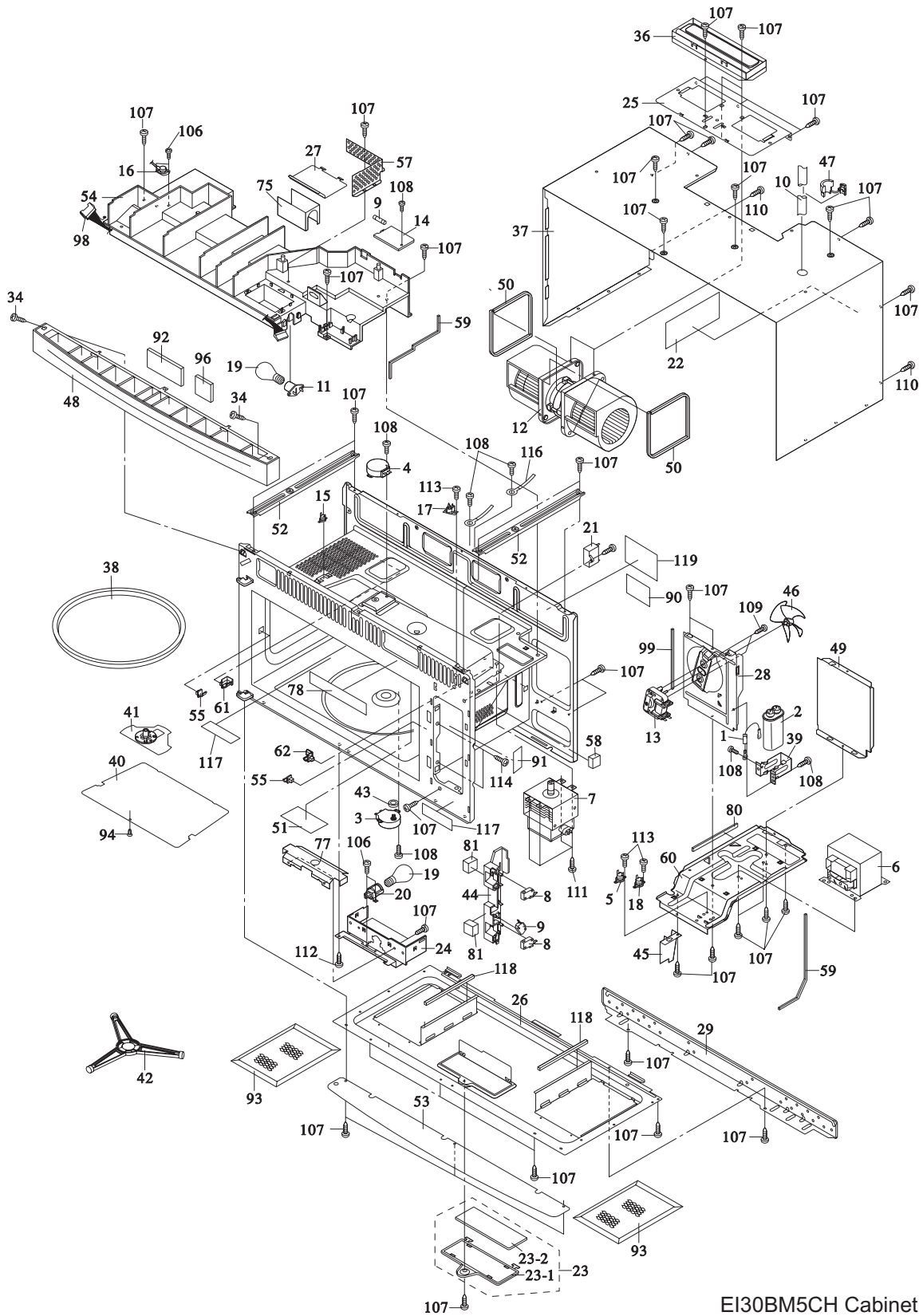
Publication No.  
**5995554986**  
 09/10/29  
 (EN/SERVICE/KC)  
 099

## OVER-RANGE MICROWAVE

Model No.  
 EI30BM5CH /  
 EI30BM55H /  
 EI30BM5CH

Copyright © 2009 Electrolux Home Products, Inc.  
 All rights reserved.

### OVEN, CABINET



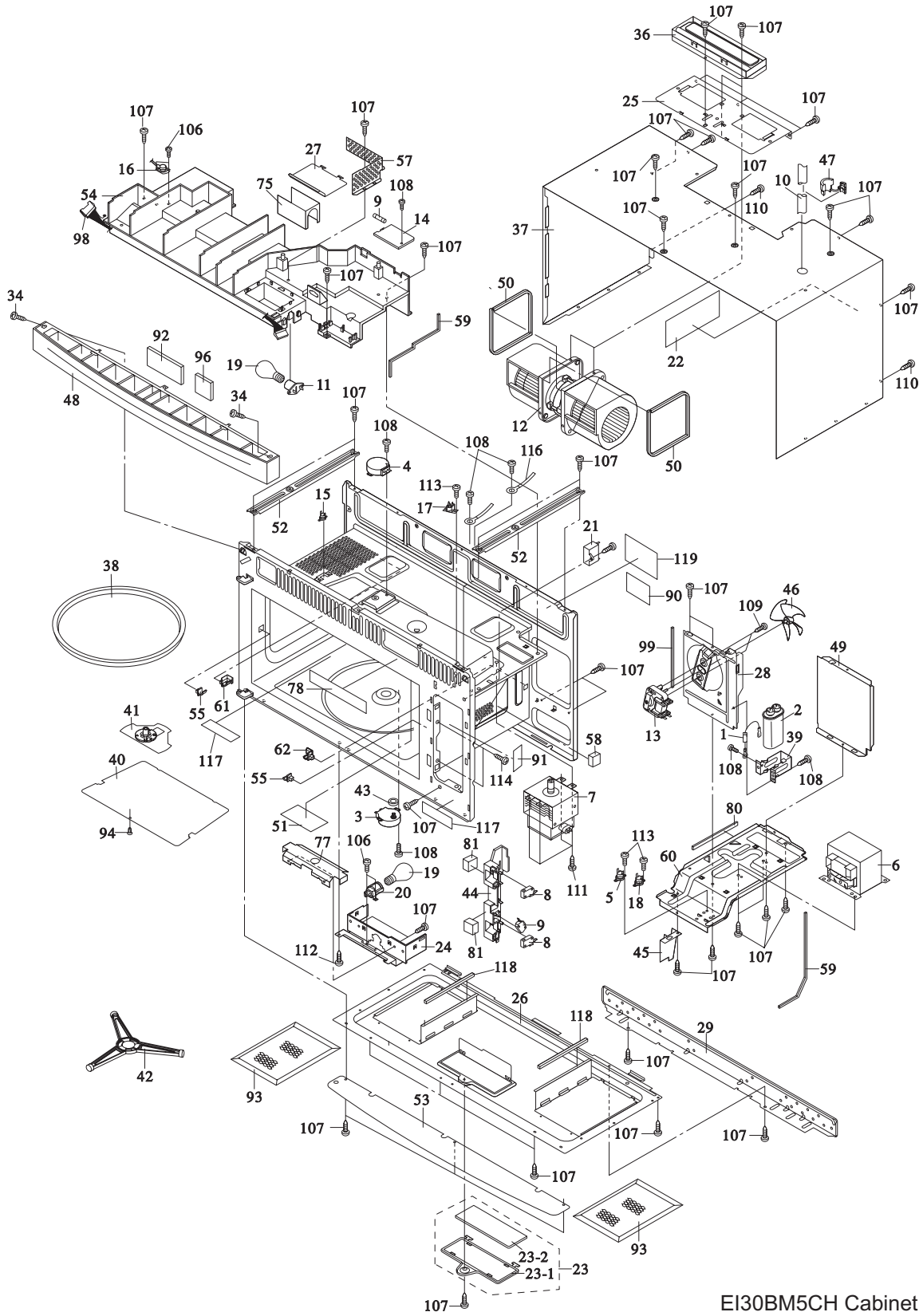
EI30BM5CH Cabinet

**OVEN,CABINET**

*Model Index:* A EI30BM5CH (EI30BM5CHBB)  
 B EI30BM5CH (EI30BM5CHSB)  
 C EI30BM5CH (EI30BM5CHWB)  
 D EI30BM5CH (EI30BM5CHZB)

POS. NO	PART NO.		DESCRIPTION
1 #	5304467670	A B C D	Rectifier, high voltage
2 #	5304472108	A B C D	Capacitor, high voltage
3 #	5304467690	A B C D	Motor, turntable
4 #	5304467691	A B C D	Motor, stirrer fan
5 #	5304440023	A B C D	Thermal Cutout, hood
6 #	5304468156	A B C D	Transformer, power
7 #	5304472109	A B C D	Magnetron
8 #	5304467694	A B C D	Switch, interlock, primary/door
9 #	5304467695	A B C D	Switch, monitor, w/ceramic fuse
10 #	5304440028	A B C D	Power Cord, electric
11 #	5304463785	A B C D	Lampholder, socket
12 #	5304467696	A B C D	Motor, hood fan
13 #	5304467697	A B C D	Motor, cooling fan
14 #	5304467698	A B C D	Filter, noise, electronic
15 #	5304440032	A B C D	Thermal Cutout, oven cavity
16 #	5304463786	A B C D	Sensor, humidity, cook control
17 #	5303319550	A B C D	Fuse, magnetron
18 #	5304467699	A B C D	Thermal Cutout, oven cavity
19	5304464198	A B C D	Lamp, oven light
20 #	5304467700	A B C D	Lampholder, socket
21 #	5304467701	A B C D	Capacitor, lamp
22	5304472110	A B C D	Wiring Diagram, schematic, label
23	5303319573	A B - -	Lens/Frame Assy, lamp, black
23	5304458209	- - C D	Lens/Frame Assy, lamp, white
23-1	5303319574	A B - -	Frame, lens holder, black
23-1	5304458210	- - C D	Frame, lens holder, white
23-2	5303319575	A B C D	Lens, cooktop lamp, glass
24	5304472111	A B C D	Frame, lens holder
25	5304467704	A B C D	Plate, rear stay
26	5304467705	A B - -	Cover, unit base, black
26	5304467706	- - C D	Cover, unit base, white
27	5304467707	A B C D	Cover, oven lamp
28	5304467708	A B C D	Duct, cooling fan
29	5304467709	A B C D	Bracket, unit mtg plate, rear
34	5304467710	A B C D	Screw, 3 mm x 8 mm
36	5304464343	A B C D	Damper Assembly, exhaust
37	5304467712	A B - -	Cabinet, outer casing, black
37	5304467713	- - C D	Cabinet, outer casing, white
38	5304441872	A B C D	Tray, turntable, glass
39	5304467714	A B C D	Retainer, capacitor strap
40	5304467715	A B C D	Cover, stirrer fan
41 #	5304475705	A B C D	Stirrer Assembly
42	5304467717	A B C D	Support Assy, turntable, roller
43	5304467718	A B C D	Bushing, motor shaft, turntable
44	5304440289	A B C D	Latch Hook
45	5304467719	A B C D	Cover, wiring harness
46 #	5304467720	A B C D	Fan Blade, mag cooling fan

### OVEN, CABINET



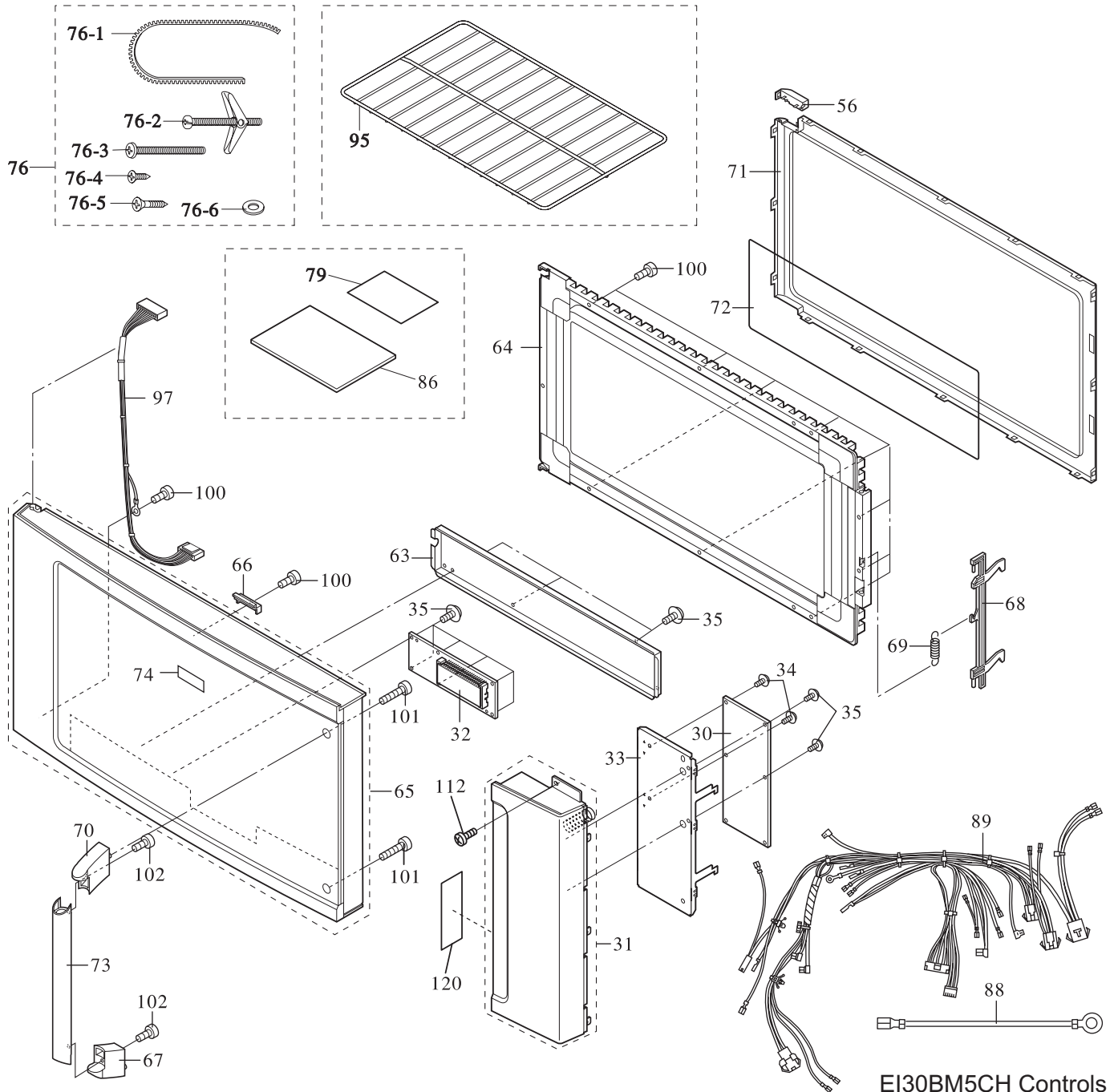
EI30BM5CH Cabinet

**OVEN,CABINET**

*Model Index:* A EI30BM5CH (EI30BM5CHBB)  
 B EI30BM5CH (EI30BM5CHSB)  
 C EI30BM5CH (EI30BM5CHWB)  
 D EI30BM5CH (EI30BM5CHZB)

POS. NO	PART NO.	A	B	C	D	DESCRIPTION
47	5304467721	A	B	C	D	Bushing, grommet, power cord
48 #	5304467723	A	-	-	-	Louver Assembly, hood, black
48 #	5304467722	-	B	-	-	Louver Assembly, hood, stainless
48 #	5304467724	-	-	C	-	Louver Assembly, hood, white
48 #	5304472113	-	-	-	D	Louver Assembly, hood, white
49	5304467725	A	B	C	D	Duct, hood intake, right side
50	5304467726	A	B	C	D	Gasket, hood fan motor, cushion
51	5304467727	A	B	C	D	Lens, lamp filter
52	5304467728	A	B	C	D	Support, chassis
53	5304467730	A	-	-	-	Deflector, black
53	5304467729	-	B	-	-	Deflector, stainless
53	5304467731	-	-	C	D	Deflector, white
54	5304467732	A	B	C	D	Duct, exhaust hood
55	5304473092	A	B	C	D	Support, rack, front
57	5304467734	A	B	C	D	Barrier
58	5304467759	A	B	C	D	Cushion, transformer pad
59	5304467760	A	B	C	D	Cushion, intake duct, seal
60	5304467761	A	B	C	D	Plate, base, right
61	5304473093	A	B	C	D	Support, rack, left rear
62	5304473094	A	B	C	D	Support, rack, right rear
75	5304467764	A	B	C	D	Shield, heat, lamp
77	5304467766	A	B	C	D	Reflector, lamp
78	5304467767	A	B	C	D	Label, menu
80	5304467768	A	B	C	D	Cushion, base, right side, seal
81	5304467769	A	B	C	D	Cushion, latch hook, pad
90	5304468229	A	B	C	D	Label, Ground-Caution
91	5304472114	A	B	C	D	Label, Caution-monitor
92 #	5304467772	A	B	C	D	Filter, inside exhaust, charcoal
93 #	5303319568	A	B	C	D	Filter, grease, (2)
94	5304467773	A	B	C	D	Clip, canoe type, stirrer cover
96 #	5304467774	A	B	C	D	Filter, air, charcoal
98 #	5304467775	A	B	C	D	Wiring Harness, control-B
99	5304467776	A	B	C	D	Cushion, fan duct, seal
106	5304467778	A	B	C	D	Screw, 3 mm x 8 mm
107	5304451552	A	B	C	D	Screw, 4 mm x 8 mm, white
107	5304467777	A	B	-	-	Screw, 4 mm x 8 mm, black
108	5304451550	A	B	C	D	Screw, 4 mm x 8 mm
109	5304450253	A	B	C	D	Screw, 4 mm x 8 mm
110	5304451557	A	B	C	D	Screw, 4 mm x 12 mm
111	5304467780	A	B	C	D	Screw, 4 mm x 8 mm, Tap Tight
112	5304451553	A	B	C	D	Screw, 4 mm x 12 mm
113	5304467781	A	B	C	D	Screw, 3 mm x 6 mm
114	5303319641	A	B	C	D	Screw
116	5304468921	A	B	C	D	Holder, wire
117	5304468226	A	B	C	D	Label, Caution-DHHS
118	5304472115	A	B	C	D	Cushion, bottom
119	5304468230	A	B	C	D	Label, HWC Caution

**CONTROL PANEL,DOOR,MISC.**

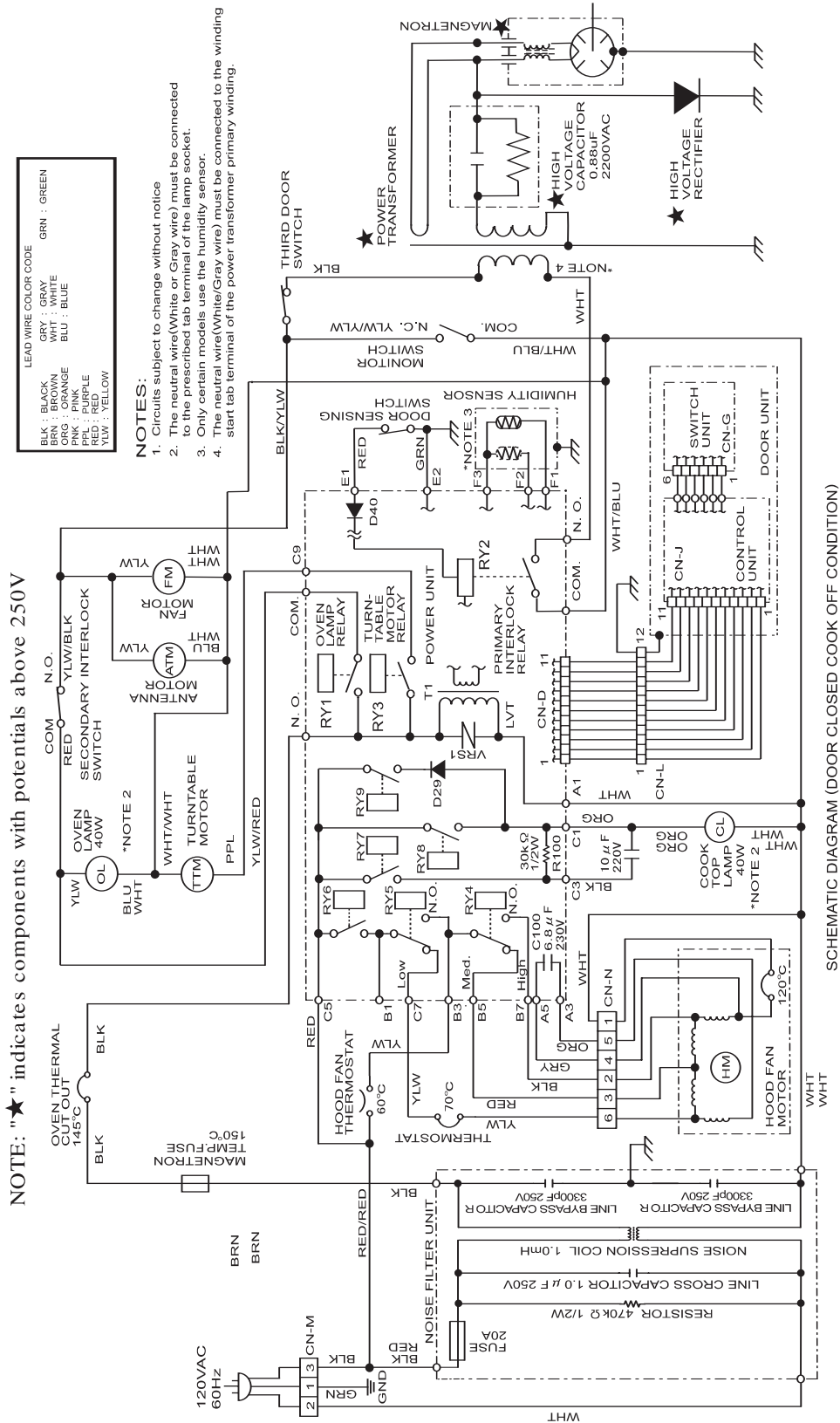


**CONTROL PANEL,DOOR,MISC.**

*Model Index:* A EI30BM5CH (EI30BM5CHBB)  
 B EI30BM5CH (EI30BM5CHSB)  
 C EI30BM5CH (EI30BM5CHWB)  
 D EI30BM5CH (EI30BM5CHZB)

POS. NO	PART NO.	A	B	C	D	DESCRIPTION
30 #	5304467782	A	B	C	D	Control Board, printed circuit
31	5304467784	A	-	-	-	Cover, power unit, black, RS
31	5304467783	-	B	-	-	Cover, power unit, stainless, RS
31	5304467785	-	-	C	-	Cover, power unit, white, RS
31	5304472116	-	-	-	D	Cover, power unit, white, RS
32 #	5304467786	A	B	C	D	Display, time, digital
33	5304467787	A	B	C	D	Panel, control mount
34	5304467710	A	B	C	D	Screw, 3 mm x 8 mm
35	5304456930	A	B	C	D	Screw, 3 mm x 10 mm
56	5304463156	A	B	C	D	Door Stop
63	5304467788	A	B	C	D	Cover, control display
64	5304467789	A	B	C	D	Panel, inner door, black
65	5304467791	A	-	-	-	Frame Assembly, door, black
65	5304467790	-	B	-	-	Frame Assembly, door, stainless
65	5304467792	-	-	C	-	Frame Assembly, door, white
65	5304467793	-	-	-	D	Frame Assembly, door, zebra
66	5304467794	A	B	C	D	Clip, glass retainer, door
67	5304467796	A	-	-	-	End Cap, handle, black, lower
67	5304467795	-	B	-	-	End Cap, handle, stainless, lower
67	5304467797	-	-	C	D	End Cap, handle, white, lower
68	5304467798	A	B	C	D	Latch, door
69	5304440316	A	B	C	D	Spring, door latch
70	5304467800	A	-	-	-	End Cap, handle, black, upper
70	5304467799	-	B	-	-	End Cap, handle, stainless, upper
70	5304467801	-	-	C	D	End Cap, handle, white, upper
71	5304467802	A	B	C	D	Frame, choke cover, inner door
72	5304467803	A	B	C	D	Seal, door, film
73	5304467805	A	-	-	-	Handle, door, black
73	5304467804	-	B	-	-	Handle, door, stainless
73	5304467806	-	-	C	D	Handle, door, white
74	5304467808	A	-	-	-	Badge, nameplate, black
74	5304467807	-	B	-	-	Badge, nameplate, stainless
74	5304467809	-	-	C	D	Badge, nameplate, white
76	5304467765	A	B	C	D	Hardware Kit, installation
76-1	5303318761	A	B	C	D	Sleeve, power cord, grommet
76-2	5303318762	A	B	C	D	Screw, toggle
76-3	5304453895	A	B	C	D	Screw, 5mm x 85mm
76-4	5304451552	A	B	C	D	Screw, 4 mm x 8 mm, white
76-5	5304453723	A	B	C	D	Screw, 5mm x 35mm
76-6	5304453724	A	B	C	D	Washer
79	5304467834	A	B	C	D	Recipe Card
86	5304467832	A	B	C	D	Template, installation, top
86	5304467833	A	B	C	D	Template, installation, wall
88 #	5304467828	A	B	C	D	Wire, ground
89 #	5304472112	A	B	C	D	Wiring Harness, main
95	5304463180	A	B	C	D	Rack, microwave oven, wire
97 #	5304467830	A	B	C	D	Wiring Harness, control-A, w/ground wire
100	5304451561	A	B	C	D	Screw, 4 mm x 8 mm
101	5304467810	A	B	C	D	Screw, 4 mm x 30 mm
102	5304467780	A	B	C	D	Screw, 4 mm x 8 mm, Tap Tight
112	5304451553	A	B	C	D	Screw, 4 mm x 12 mm
120	5304468232	A	B	C	D	Label, User Caution

WIRING DIAGRAM



LEAD WIRE COLOR CODE

BLK	: BLACK	GRY	: GRAY	GRN	: GREEN
BRN	: BROWN	WHT	: WHITE		
ORG	: ORANGE	BLU	: BLUE		
PNK	: PINK				
RED	: RED				
YLV	: YELLOW				

- NOTES:**
1. Circuits subject to change without notice
  2. The neutral wire(White or Gray wire) must be connected to the prescribed tab terminal of the lamp socket.
  3. Only certain models use the humidity sensor.
  4. The neutral wire(White/Gray wire) must be connected to the winding start tab terminal of the power transformer primary winding.

NOTE: "★" indicates components with potentials above 250V

SCHEMATIC DIAGRAM (DOOR CLOSED COOK OFF CONDITION)