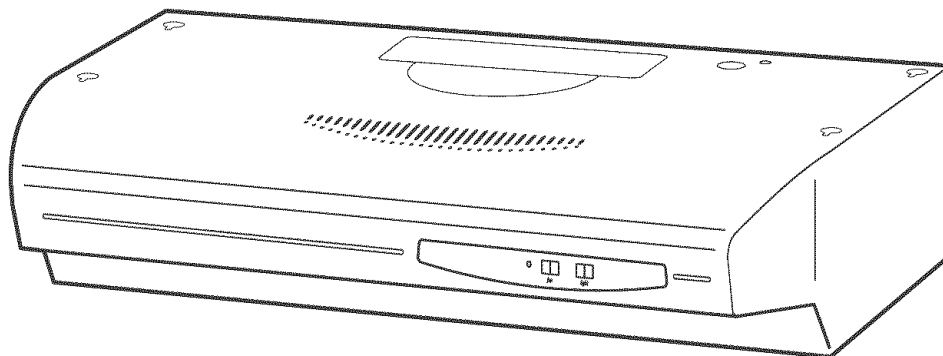

30" (76.2 cm) and 36" (91.4 cm) CONVERTIBLE RANGE HOOD

Installation Instructions and Use and Care Guide

HOTTE DE CUISINIÈRE CONVERTIBLE 30" (76,2 cm) et 36" (91,4 cm)

Instructions d'installation et Guide d'utilisation et d'entretien

Table of Contents/Table des matières.....2



GZ5730XR Series
GZ5736XR Series

Série GZ5730XR
Série GZ5736XR

**IMPORTANT: READ AND SAVE THESE INSTRUCTIONS.
FOR RESIDENTIAL USE ONLY.**

**IMPORTANT : LIRE ET CONSERVER CES INSTRUCTIONS.
POUR UTILISATION RÉSIDENIELLE UNIQUEMENT.**

IMPORTANT:

Installer: Leave installation instructions with the homeowner.

Homeowner: Keep installation instructions for future reference.
Save installation instructions for local inspector's use.

IMPORTANT :

Installateur : Remettre les instructions d'installation au propriétaire.

Propriétaire : Conserver les instructions d'installation pour consultation ultérieure.
Conserver les instructions d'installation pour consultation par l'inspecteur local.

TABLE OF CONTENTS

RANGE HOOD SAFETY	2
INSTALLATION REQUIREMENTS	4
Tools and Parts	4
Location Requirements	4
Electrical Requirements	4
Venting Requirements	5
INSTALLATION INSTRUCTIONS	6
Prepare Location	6
Prepare the Hood	6
Make Electrical Connection	8
Install Range Hood	9
Complete Installation	9
RANGE HOOD USE	10
Operation	10
RANGE HOOD CARE	10
Cleaning and Maintenance	10
REQUESTING ASSISTANCE OR SERVICE	11
RANGE HOOD WARRANTY	12

TABLE DES MATIÈRES

SÉCURITÉ DE LA HOTTE DE CUISINIÈRE	13
EXIGENCES D'INSTALLATION	15
Outillage et pièces	15
Exigences d'emplacement	15
Spécifications électriques	16
Exigences concernant l'évacuation	16
INSTRUCTIONS D'INSTALLATION	18
Préparation de l'emplacement	18
Préparation de la hotte	18
Raccordement électrique	20
Installation de la hotte de cuisinière	21
Achever l'installation	21
UTILISATION DE LA HOTTE DE CUISINIÈRE	22
Fonctionnement	22
ENTRETIEN DE LA HOTTE DE CUISINIÈRE	22
Nettoyage et entretien	22
DEMANDE D'ASSISTANCE OU DE SERVICE	23
GARANTIE DE LA HOTTE DE CUISINIÈRE	24

RANGE HOOD SAFETY

Your safety and the safety of others are very important.

We have provided many important safety messages in this manual and on your appliance. Always read and obey all safety messages.



This is the safety alert symbol.

This symbol alerts you to potential hazards that can kill or hurt you and others.

All safety messages will follow the safety alert symbol and either the word "DANGER" or "WARNING."

These words mean:

! DANGER

You can be killed or seriously injured if you don't immediately follow instructions.

! WARNING

You can be killed or seriously injured if you don't follow instructions.

All safety messages will tell you what the potential hazard is, tell you how to reduce the chance of injury, and tell you what can happen if the instructions are not followed.

IMPORTANT SAFETY INSTRUCTIONS

WARNING: TO REDUCE THE RISK OF FIRE, ELECTRIC SHOCK, OR INJURY TO PERSONS, OBSERVE THE FOLLOWING:

- Use this unit only in the manner intended by the manufacturer. If you have questions, contact the manufacturer.
- Before servicing or cleaning the unit, switch the power off at the service panel disconnecting means to prevent power from being switched on accidentally. When the service disconnecting means cannot be locked, securely fasten a prominent warning device, such as a tag, to the service panel.
- Installation work and electrical wiring must be done by qualified person(s) in accordance with all applicable codes & standards, including fire-rated construction.
- Sufficient air is needed for proper combustion and exhausting of gases through the flue (chimney) of fuel burning equipment to prevent backdrafting. Follow the heating equipment manufacturer's guideline and safety standards such as those published by the National Fire Protection Association (NFPA), the American Society for Heating, Refrigeration and Air Conditioning Engineers (ASHRAE), and the local code authorities.
- When cutting or drilling into wall or ceiling; do not damage electrical wiring and other utilities.
- Ducted systems must always be vented outdoors.

CAUTION: For general ventilating use only. Do not use to exhaust hazardous or explosive materials and vapors.

CAUTION: To reduce risk of fire and to properly exhaust air, be sure to duct air outside - do not vent exhaust air into spaces within walls ceilings, attics, crawl spaces, or garages.

WARNING: TO REDUCE THE RISK OF FIRE, USE ONLY METAL DUCTWORK.

WARNING: TO REDUCE THE RISK OF A RANGE TOP GREASE FIRE:

- Never leave the surface units unattended at high settings. Boilovers cause smoking and greasy spillovers that may ignite. Heat oils slowly on low or medium settings.
- Always turn hood ON when cooking at high heat or when flameing food (i.e. Crepes Suzette, Cherries Jubilee, Peppercorn Beef Flambé).
- Clean ventilating fans frequently. Grease should not be allowed to accumulate on fan or filter.
- Use proper pan size. Always use cookware appropriate for the size of the surface element.

WARNING: TO REDUCE THE RISK OF INJURY TO PERSONS IN THE EVENT OF A RANGE TOP GREASE FIRE, OBSERVE THE FOLLOWING:^a

- SMOTHER FLAMES with a close fitting lid, cookie sheet, or other metal tray, then turn off the gas burner or electric element. BE CAREFUL TO PREVENT BURNS. If the flames do not go out immediately, EVACUATE AND CALL THE FIRE DEPARTMENT.
- NEVER PICK UP A FLAMING PAN - you may be burned.
- DO NOT USE WATER, including wet dishcloths or towels - a violent steam explosion will result.
- Use an extinguisher ONLY if:
 - You know you have a class ABC extinguisher, and you already know how to operate it.
 - The fire is small and contained in the area where it started.
 - The fire department is being called.
 - You can fight the fire with your back to an exit.

^aBased on "Kitchen Fire Safety Tips" published by NFPA.

- **WARNING:** To reduce the risk of fire or electrical shock, do not use this fan with any solid-state speed control device.

SAVE THESE INSTRUCTIONS

INSTALLATION REQUIREMENTS

Tools and Parts

Gather the required tools and parts before starting installation. Read and follow the safety instructions provided with any tools listed here.

Tools needed:

- level
- compass or 8" (20.3 cm) circle template
- flat blade screwdriver
- Phillips screwdriver
- pliers
- metal snips
- drill
- 1¼" and ½" drill bits
- pencil
- ruler
- keyhole saw
- saber saw
- duct tape

Parts needed:

- UL- or CSA-listed, ½" (12.5 mm) strain relief (used with direct wiring only)
- power supply cable
- 7" (17.8 cm) round damper if using 7" (17.8 cm) round vent system
- 2 twist-on electrical wire connectors

Location Requirements

IMPORTANT: Observe all governing codes and ordinances.

Hood location should be away from strong draft areas, such as windows, doors and strong heating vents.

Grounded electrical outlet is required. See "Electrical Requirements" section.

It is recommended that the hood be fastened into solid wood. If fastening into drywall or other material, wall anchors or screws with toggle nuts (purchased separately) must be used.

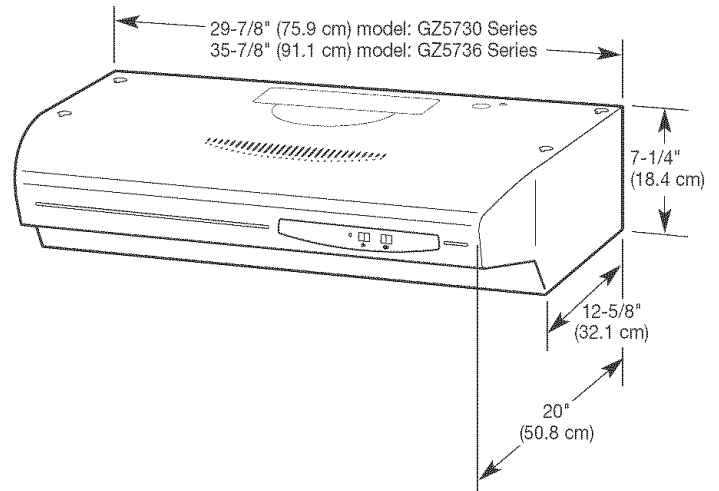
This hood is factory set for non-venting (recirculating) installations. For vented installations see "Installation Instructions" section.

If this hood will be used as a non-vented installation you will also need to purchase a 30" (76.2 cm) Filter Kit, No. 4396291 or 36" (91.4 cm) Filter Kit, No. 4396292 from your dealer.

All openings in ceiling and wall where the hood will be installed must be sealed.

In U.S. only: For power cord connected installations, a UL-listed range hood cord-connection kit (part no. 99524057) must be used. Cord kit has not been evaluated for use in Canada.

Product Dimensions



Electrical Requirements

IMPORTANT: The hood must be electrically grounded in accordance with local codes and ordinances, or in the absence of local codes, with the National Electrical Code, ANSI/NFPA 70, latest edition, or Canadian Electrical Code, CSA C22.1.

If codes permit and a separate ground wire is used, it is recommended that a qualified electrical installer determine that the ground path is adequate.

A copy of the above code standards can be obtained from:

National Fire Protection Association
One Batterymarch Park, Quincy, MA 02269

CSA International
8501 East Pleasant Valley Road
Cleveland, Ohio 44131-5575

- A 120-volt, 60-Hz, AC-only, 15-amp, fused electrical circuit is required. A time-delay fuse or circuit breaker is also recommended. It is recommended that a separate circuit serving only this hood be provided.
- Do not ground to a gas pipe.
- Check with a qualified electrician if you are not sure range hood is properly grounded.
- Do not have a fuse in the neutral or ground circuit.
- The range hood must be connected with copper wire only.
- The range hood should be connected directly to the fused disconnect (or circuit breaker) box through flexible armored or nonmetallic sheathed copper cable.
- A UL- or CSA-listed strain relief must be provided at each end of the power supply cable. Wire sizes (copper wire only) and connections must conform with the rating of the appliance as specified on the model/serial rating plate.
- Wire sizes must conform to the requirements of the National Electrical Code, ANSI/NFPA 70, latest edition, or CSA Standards C22.1-94, Canadian Electrical Code, Part 1 and C22.2 No. 0-M91, latest edition, and all local codes and ordinances.

Venting Requirements

- Vent system (if needed) for installation is not included.
- Vent system must terminate to the outside.
- Do not terminate the vent system in an attic or other enclosed area.
- Do not use 4" (10.2 cm) laundry-type wall caps.
- Use metal vent only. Rigid metal vent is recommended. Do not use plastic or metal foil vent.

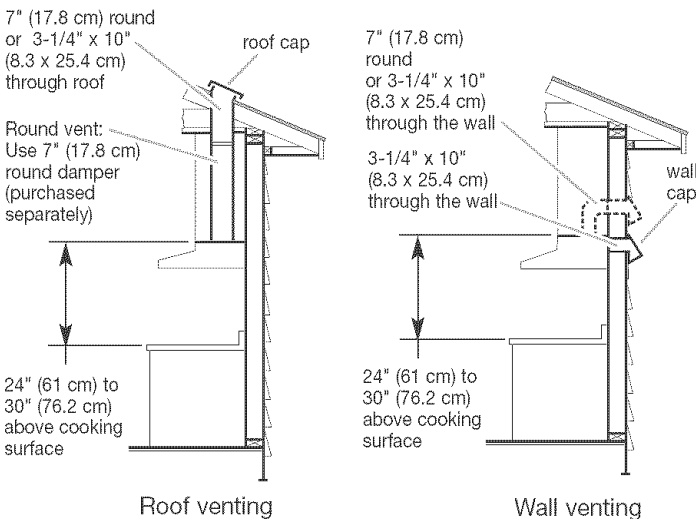
For the most efficient and quiet operation:

- The length of the vent system and number of elbows should be kept to a minimum to provide efficient performance. The size of the vent system should be uniform.
- Do not install two elbows together.
- Vent system can terminate either through the roof or wall.
- For the most efficient and quiet operation, it is recommended that the range be vented vertically through the roof through 7" (17.8 cm) round vent system.
- Use duct tape to seal all joints in the vent system.
- Use caulking to seal exterior wall or roof opening around the cap.

Venting Methods

Determine which outside venting method needs to be used. It is recommended that the vent system be installed before installing the hood.

NOTE: If a non-vented (recirculating) installation is desired, follow instructions in the "Make Electrical Connection" section.



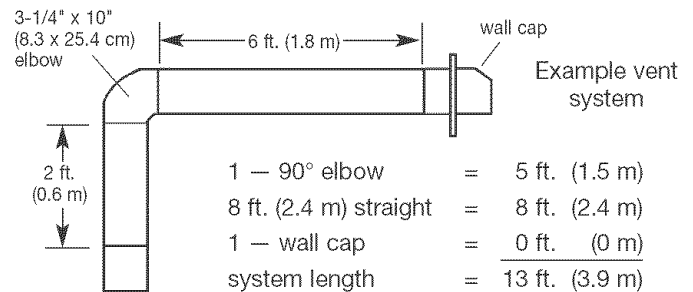
Calculating Vent System Length

To calculate the length of the system you need, add the equivalent feet (meters) for each vent piece used in the system. Use 3-1/4" x 10" (8.3 x 25.4 cm) or 7" (17.8 cm) round vent with a maximum length of 65 feet (19.8 m) for vent system. For best performance, use no more than three 90° elbows. To calculate the length of system you need, add the equivalent feet for each vent piece used in the system. See the examples below.

3-1/4" x 10" (8.3 x 25.4 cm) vent system

Recommended standard fittings

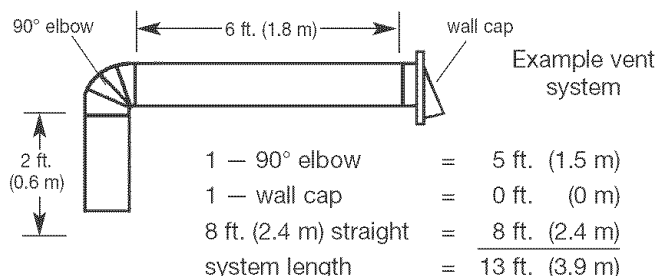
Vent piece	3-1/4" x 10" (8.3 x 25.4 cm)	
3-1/4" x 10" (8.3 x 25.4 cm) 90° elbow	5 feet (1.5 m)	
3-1/4" x 10" (8.3 x 25.4 cm) flat elbow	12 feet (3.7 m)	
3-1/4" x 10" (8.3 x 25.4 cm) wall cap	0 feet (0 m)	



7" (17.8 cm) vent system

Recommended standard fittings

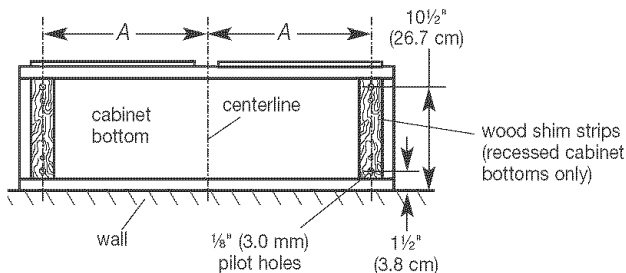
Vent piece	7" (17.8 cm) round	Vent piece	7" (17.8 cm) round
45° elbow	2.5 feet (0.8 m)	3-1/4" x 10" (8.3 x 25.4 cm) to 7" (17.8 cm)	4.5 feet (1.4 m)
90° elbow	5.0 feet (1.5 m)	3-1/4" x 10" (8.3 x 25.4 cm) to 7" (17.8 cm) 90° elbow	5 feet (1.5 m)
7" (17.8 cm) wall cap	0 feet (0 m)		



INSTALLATION INSTRUCTIONS

Prepare Location

1. If possible, disconnect and move freestanding or slide-in range from cabinet opening to provide easier access to upper cabinet or rear wall. Slide cardboard or hardboard under range before moving range across floor to prevent damaging floor covering. Otherwise put a thick, protective covering over countertop, cooktop or range to protect from damage or dirt.
2. Determine which venting method (roof or wall venting or non-venting) you need to use. This range hood is shipped for non-vented installation.



Hood size	A
30" (76.2 cm)	13 ¹⁵ / ₁₆ " (35.4 cm)
36" (91.4 cm)	16 ¹⁵ / ₁₆ " (43.0 cm)

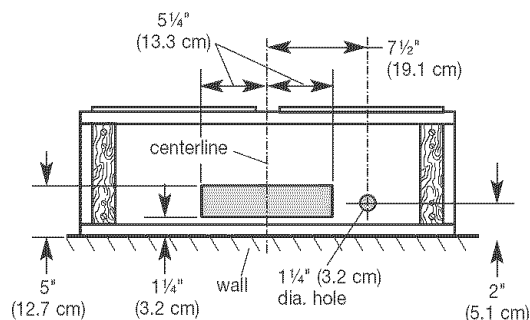
3. Drill four 1/8" (3.0 mm) pilot holes for hood mounting screws. If cabinet has recessed bottom, add wood shim strips on each side.
4. From the following diagrams, select the diagram for your installation.

Vented installations: Cut the vent system and electrical wiring access holes as required.

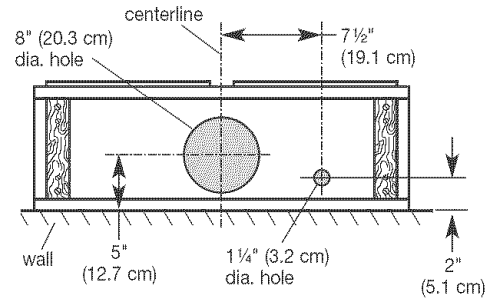
Non-vented installations: Drill only the 1 1/4" (3.2 cm) dia. wiring access hole required.

- If wiring through the top, use location shown in vertical vent systems.
- If wiring through the back, use location shown in horizontal vent system.

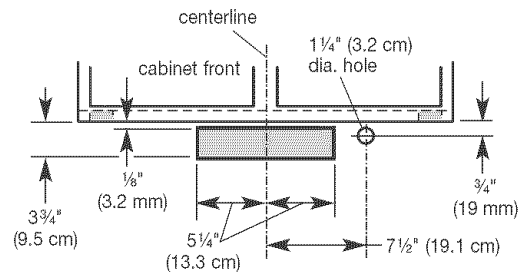
3 1/4" x 10" (8.3 x 25.4 cm) rectangular vertical vent system



7" (17.8 cm) round vertical vent system



3 1/4" x 10" (8.3 x 25.4 cm) horizontal vent system



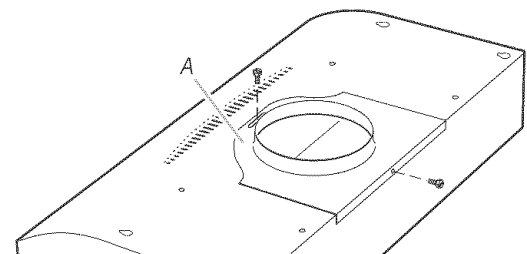
Prepare the Hood

⚠ WARNING

Excessive Weight Hazard

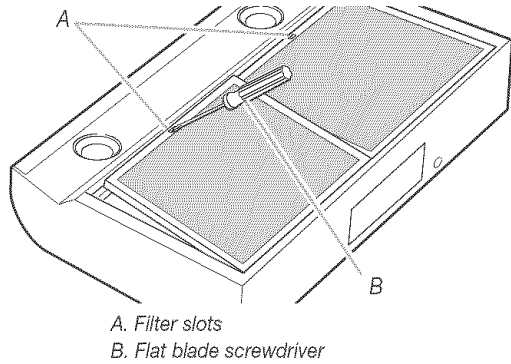
Use two or more people to move and install range hood.
Failure to do so can result in back or other injury.

1. Set the hood on a protective covering such as cardboard or a large towel. Remove the 7" (17.8 cm) round vent plate from top of hood. Set vent plate and mounting screws aside.

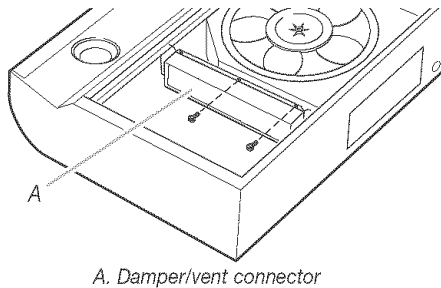


A. 7" (17.8 cm) round vent plate

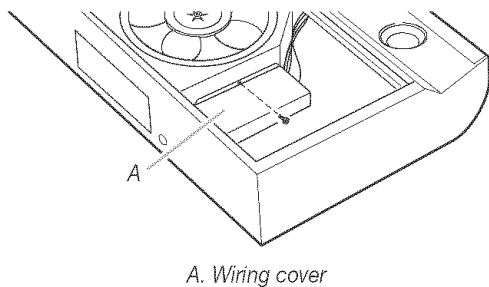
- Remove tape holding standard filters in place. Remove both filters. Insert flat blade screwdriver into slots in filters. Push each filter toward back of hood, lift out and set aside.



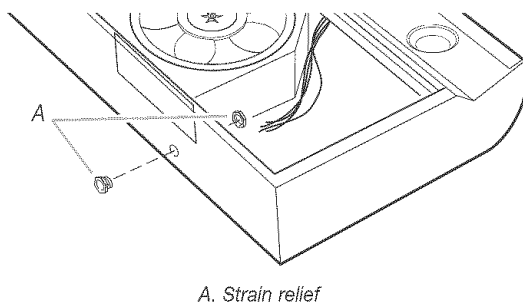
- Remove damper/vent connector from inside the hood. Set connector, mounting screws and parts bag aside.



- Remove wiring cover from inside the hood. Set cover and mounting screw aside.



- Depending on your installation, remove either top or back wiring knockout and install a 1/2" UL- or CSA-listed strain relief.



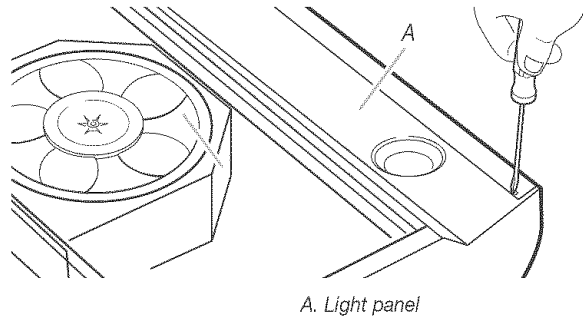
For non-vented installations

Go to "Make Electrical Connection" section.

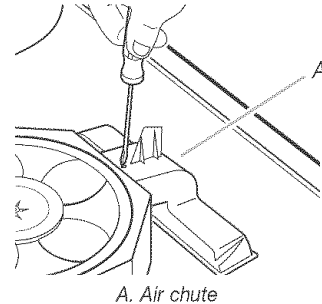
For vented installations

- Remove the five screws holding the light panel in place and set them aside.

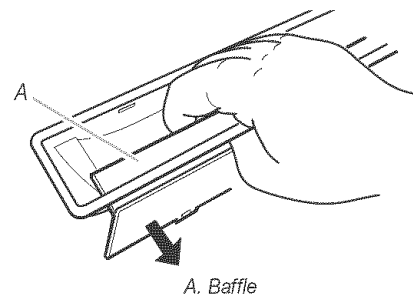
- Disconnect the light assembly wiring connector. Make sure not to disconnect any wires.
- Remove the light panel and set aside.



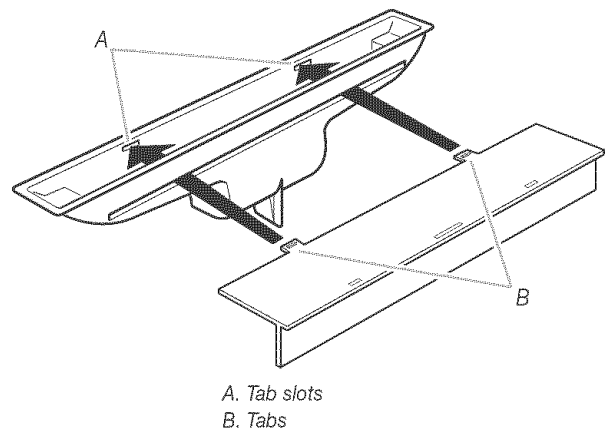
- Remove the air chute held in place with one screw.



- Remove baffle from air chute.



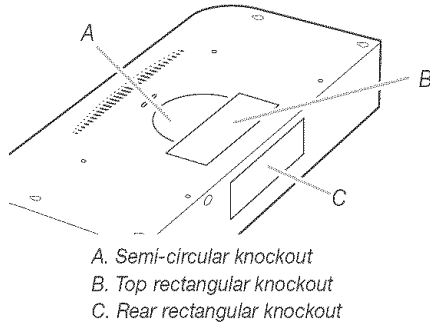
- Rotate baffle and reinsert it back into the air chute so that the baffle tabs fit all the way into the slots in the air baffle. This will close off the air flow through the non-vented slots on top of the hood.



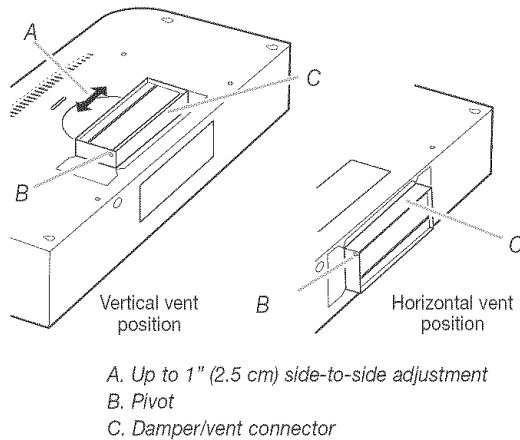
- Replace air chute.
- Connect light assembly wiring connector and replace light panel.

NOTE: Make sure not to trap wires between the support fin and light panel.

9. Remove either top or rear rectangular knockout. If using 7" (17.8 cm) round vent, remove both top rectangular knockout and the semi-circular knockout.



10. Install damper:



Rectangular vent only:

Attach damper/vent connector over knockout opening. Make sure damper pivot is nearest to top/back edge of hood. Remove tape from damper flap.

NOTE: For horizontal vent systems, it is recommended that the rectangular ventwork be attached to the damper/vent connector and sealed with duct tape before installing the hood.

Round vent only:

Replace round vent plate removed in step 1 of "Prepare the Hood" section.

Install a 7" (17.8 cm) round damper (must be purchased separately). The damper flap must open freely in the direction of air flow (away from range hood).

NOTE: Damper/vent connector and round vent plate can be installed up to 1" (2.5 cm) on either side of hood center if ventwork is off-center. In extreme off-center installations, one end of the vent connector may need to be trimmed to clear the electrical strain relief.

Make Electrical Connection

Direct Wiring Installation

! WARNING



Electrical Shock Hazard

Disconnect power before servicing.

Replace all parts and panels before operating.

Failure to do so can result in death or electrical shock.

! WARNING



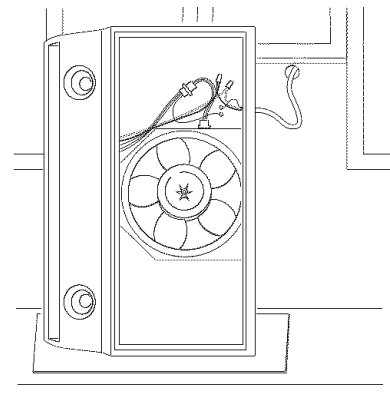
Electrical Shock Hazard

Electrically ground the blower.

Connect ground wire to green ground screw in wiring box.

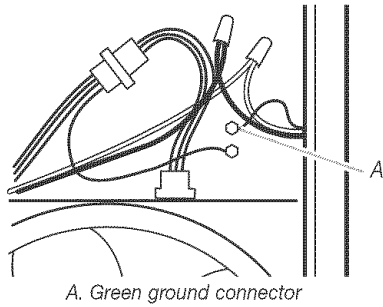
Failure to do so can result in death or electrical shock.

1. Disconnect power.
2. If not previously done, run wiring through wall or cabinets according to electrical codes and ordinances.
3. Stand hood up as shown. (Keep on protective cover to protect hood and cooking surface.) Feed the power supply cable through the strain relief.



4. Use twist-on connectors and connect black wires together.
5. Use twist-on connectors and connect white wires together.

6. Connect the power supply ground wire to the green ground connector and tighten securely.



7. Securely tighten the strain relief.
8. Replace the wiring cover.

UL-Listed Power Supply Cord Kit (U.S. Only)

1. Connect a UL-listed Power Cord Kit (part no. 99524057) (U.S. only) following the kit instructions for connecting the wires.
2. Replace the wiring cover.

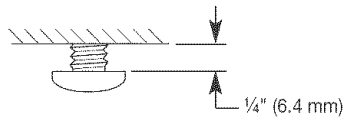
Install Range Hood

⚠ WARNING

Excessive Weight Hazard

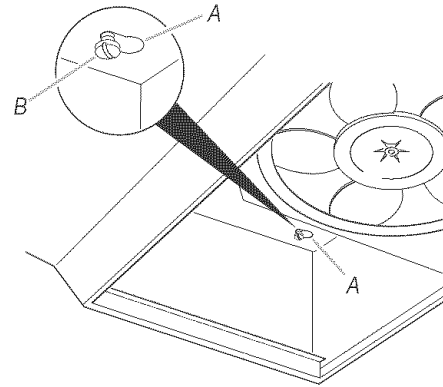
Use two or more people to move and install range hood.
Failure to do so can result in back or other injury.

1. Remove the 4 hood mounting screws from the parts bag and install in previously drilled $\frac{1}{8}$ " (3.0 mm) pilot holes. Leave screw heads about $\frac{1}{4}$ " (6.4 mm) away from shim strips.



2. Lift range hood into final position, feeding electrical wire through wiring opening. To avoid damage, do not push on fan blade.

3. Position the range hood so that the large end of the keyhole slots are over the screws. Then push the hood toward the wall so that the screws are in the neck of the slots.



A. Keyhole slots (4)
B. Mounting screw

4. Tighten mounting screws to cabinet, making sure mounting screws are in narrow neck of slots.

On vented installations:

5. Make sure that damper blade opens and closes freely.
6. Connect ventwork to hood. Seal joints with duct tape to make them secure and air tight.

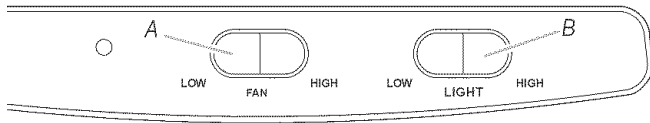
Complete Installation

1. Install (2) PAR20, 50W maximum halogen bulbs or (2) R16, 40W maximum incandescent bulbs. Bulbs purchased separately.
2. Replace filters.
NOTE: Filter slot must be toward front of hood.
For non-vented installations: Attach the charcoal filters (not supplied) to the aluminum filters with the special blue and yellow strips facing toward the cooking surface. Make sure fan blade turns freely.
3. Reconnect power.
4. Check for proper operation.

RANGE HOOD USE

Operation

Hood control panel



A. Fan switch
B. Light switch

Operating the fan

A 3-position rocker switch controls the fan. The left position is low speed, center position is off, and the right position is high speed. An indicator light shows that the fan is on.

Operating the light

A 3-position rocker switch controls the lights. The left position is low light intensity, center position is off, and the right position is high light intensity.

Replacing the light bulbs

Before you begin, make sure that the range hood is turned off and that the lamps have had sufficient time to cool. Halogen bulbs burn extremely hot. See bulb packaging for further information.

Replace with (2) PAR20, 50W maximum halogen bulbs or (2) R16, 40W maximum incandescent bulbs.

RANGE HOOD CARE

Cleaning and Maintenance

Be sure lights are cool before cleaning the hood.

To clean hood

1. Disconnect power.
2. Remove filters.
3. Use a damp cloth and a mild detergent to wipe all grease-laden surfaces. Use care when cleaning fan blade - it must not become bent or misaligned. Do not allow water to enter the motor.
4. Make sure all surfaces are completely dry before replacing filters.
5. Reconnect power.

Motor is permanently lubricated. Do not oil or disassemble motor.

Aluminum mesh filters

Clean often using hot water and a mild detergent. Filters are dishwasher safe.

Charcoal filters (non-vented installations)

- Clean filter surfaces frequently with a damp cloth and mild detergent. Do not immerse filters in water or put in dishwasher.
- Special blue and yellow strips will blend to green when it is time to change the filter. These strips work best when facing toward the cooking surface.
- 30" (76.2 cm) Filter Kit No. 4396291 or 36" (91.4 cm) Filter Kit No. 4396292 is available from your dealer.

REQUESTING ASSISTANCE OR SERVICE

If you need assistance or service in U.S.A.

Call the Whirlpool Customer Interaction Center toll-free at 1-800-253-1301. Our consultants are available to assist you.

When calling: Please know the purchase date, and the complete model and serial number of your appliance. This information will help us better respond to your request.

Our consultants provide assistance with:

- Features and specifications on our full line of appliances
- Installation information
- Use and maintenance procedures
- Accessory and repair parts sales
- Specialized customer assistance (Spanish speaking, hearing impaired, limited vision, etc.)
- Referrals to local dealers, service companies, and repair parts distributors

Whirlpool designated service technicians are trained to fulfill the product warranty and provide after-warranty service, anywhere in the United States.

To locate the designated service company in your area, you can also look in your telephone directory Yellow Pages.

If you need replacement parts

If you need to order replacement parts, we recommend that you use only factory-authorized parts. These parts will fit right and work right, because they are made to the same exacting specifications used to build every new Whirlpool appliance.

To locate factory-authorized parts in your area, call our Customer Interaction Center telephone number, your nearest authorized service center, or 1-800-442-1111.

For further assistance

If you need further assistance, you can write to Whirlpool with any questions or concerns at:

Customer Interaction Center
c/o Correspondence Dept.
2000 North M-63
Benton Harbor, MI 49022-2692

Please include a daytime phone number in your correspondence.

If you need assistance or service in Canada

For product related questions, please call the Whirlpool Canada LP. Customer Interaction Center toll free: **1-800-461-5681**
Monday to Friday 8:00 a.m. – 6:00 p.m. (EST).
Saturday 8:30 a.m. – 4:30 p.m. (EST).

Our consultants provide assistance with:

- Features and specifications on our full line of appliances.
- Referrals to local dealers.

For parts, accessories and service in Canada

Call **1-800-807-6777**. Whirlpool Canada LP. designated service technicians are trained to fulfill the product warranty and provide after-warranty service, anywhere in Canada.

For further assistance

If you need further assistance, you can write to Whirlpool Canada LP. with any questions or concerns at:

Customer Interaction Center
Whirlpool Canada, LP.
1901 Minnesota Court
Mississauga, Ontario L5N 3A7

Please include a daytime phone number in your correspondence.

RANGE HOOD WARRANTY

For one year from the date of purchase, when this appliance is operated and maintained according to instructions attached to or furnished with the product, Whirlpool Corporation will pay for labor and any parts of your range hood, except light bulbs and filters, which are defective in materials or workmanship.

Whirlpool Corporation will not pay for:

1. Service calls to correct the installation of your appliance, to instruct you how to use your appliance, to replace house fuses or correct house wiring, or to replace owner-accessible light bulbs and filters.
 2. Consumable parts such as light bulbs and filters.
 3. Repairs when your appliance is used in other than normal, single-family household use.
 4. Pickup and delivery. Your appliance is designed to be repaired in the home.
 5. Damage resulting from accident, alteration, misuse, abuse, fire, flood, improper installation, acts of God or use of products not approved by Whirlpool Corporation or Whirlpool Canada LP.
-

WHIRLPOOL CORPORATION AND WHIRLPOOL CANADA LP. SHALL NOT BE LIABLE FOR INCIDENTAL OR CONSEQUENTIAL DAMAGES.

Some states or provinces do not allow the exclusion or limitation of incidental or consequential damages, so this exclusion or limitation may not apply to you. This warranty gives you specific legal rights and you may also have other rights which may vary from state to state or province to province.

Outside the 50 United States and Canada, this warranty does not apply. Contact your authorized Whirlpool dealer to determine if another warranty applies.

If you need service, see the "Requesting Assistance or Service" section or call the Whirlpool Customer Interaction Center, **1-800-253-1301** (toll-free), from anywhere in the U.S.A. For parts and service in Canada, please call **1-800-807-6777**. For product related questions in Canada, please call **1-800-461-5681**.

Keep this book and your sales slip together for future reference. You must provide proof of purchase or installation date for in-warranty service.

Write down the following information about your appliance to better help you obtain assistance or service if you ever need it. You will need to know your complete model number and serial number. You can find this information on the model and serial number label/plate, located on your appliance.

Dealer name _____

Address _____

Phone number _____

Model number _____

Serial number _____

Purchase date _____

SÉCURITÉ DE LA HOTTE DE CUISINIÈRE

Votre sécurité et celle des autres est très importante.

Nous donnons de nombreux messages de sécurité importants dans ce manuel et sur votre appareil ménager. Assurez-vous de toujours lire tous les messages de sécurité et de vous y conformer.



Voici le symbole d'alerte de sécurité.

Ce symbole d'alerte de sécurité vous signale les dangers potentiels de décès et de blessures graves à vous et à d'autres.

Tous les messages de sécurité suivront le symbole d'alerte de sécurité et le mot "DANGER" ou "AVERTISSEMENT". Ces mots signifient :

⚠ DANGER

Risque possible de décès ou de blessure grave si vous ne suivez pas immédiatement les instructions.

⚠ AVERTISSEMENT

Risque possible de décès ou de blessure grave si vous ne suivez pas les instructions.

Tous les messages de sécurité vous diront quel est le danger potentiel et vous disent comment réduire le risque de blessure et ce qui peut se produire en cas de non-respect des instructions.

IMPORTANTES INSTRUCTIONS DE SÉCURITÉ

AVERTISSEMENT : AVERTISSEMENT - POUR RÉDUIRE LE RISQUE D'INCENDIE, CHOC ÉLECTRIQUE OU DOMMAGES CORPORELS, RESPECTER LES INSTRUCTIONS SUIVANTES :

- Utiliser cet appareil uniquement dans les applications envisagées par le fabricant. Pour toute question, contacter le fabricant.
- Avant d'entreprendre un travail d'entretien ou de nettoyage, interrompre l'alimentation de la hotte au niveau du tableau de disjoncteurs, et verrouiller le tableau de disjoncteurs pour empêcher tout rétablissement accidentel de l'alimentation du circuit. Lorsqu'il n'est pas possible de verrouiller le tableau de disjoncteurs, placer sur le tableau de disjoncteurs une étiquette d'avertissement proéminente interdisant le rétablissement de l'alimentation.
- Tout travail d'installation ou câblage électrique doit être réalisé par une personne qualifiée, dans le respect des prescriptions de tous les codes et normes applicables, y compris les codes du bâtiment et de protection contre les incendies.
- Une source d'air de débit suffisant est nécessaire pour le fonctionnement correct de tout appareil à gaz (combustion et évacuation des gaz à combustion par la cheminée), pour qu'il n'y ait pas de reflux des gaz de combustion. Respecter les directives du fabricant de l'équipement de chauffage et les prescriptions des normes de sécurité - comme celles publiées par la National Fire Protection Association (NFPA) et l'American Society for Heating, Refrigeration and Air Conditioning Engineers (ASHRAE), et les prescriptions des autorités réglementaires locales.
- Lors d'opérations de découpage et de perçage dans un mur ou un plafond, veiller à ne pas endommager les câblages électriques ou canalisations qui peuvent s'y trouver.
- Les systèmes d'évacuation doivent toujours décharger l'air à l'extérieur.

MISE EN GARDE : Cet appareil est conçu uniquement pour la ventilation générale. Ne pas l'utiliser pour l'extraction de matières ou vapeurs dangereuses ou explosives.

MISE EN GARDE : Pour minimiser le risque d'incendie et évacuer adéquatement les gaz, veiller à acheminer l'air aspiré par un conduit jusqu'à l'extérieur - ne pas décharger l'air aspiré dans un espace vide du bâtiment comme une cavité murale, un plafond, un grenier, un vide sanitaire ou un garage.

AVERTISSEMENT : POUR RÉDUIRE LE RISQUE D'INCENDIE, UTILISER UNIQUEMENT DES CONDUITS MÉTALLIQUES.

AVERTISSEMENT : POUR MINIMISER LE RISQUE D'UN FEU DE GRAISSE SUR LA CUISINIÈRE :

- Ne jamais laisser un élément de surface fonctionner à puissance de chauffage maximale sans surveillance. Un renversement/débordement de matière grasseuse pourrait provoquer une inflammation et la génération de fumée. Utiliser une puissance de chauffage moyenne ou basse pour le chauffage d'huile.
- Veiller à toujours faire fonctionner le ventilateur de la hotte lors de la cuisson avec une puissance de chauffage élevée ou lors de la cuisson d'un mets à flamber (à savoir crêpes Suzette, cerise jubilee, steak au poivre flambé).
- Nettoyer fréquemment les ventilateurs d'extraction. Veiller à ne pas laisser la graisse s'accumuler sur les surfaces du ventilateur ou des filtres.
- Utiliser toujours un ustensile de taille appropriée. Utiliser toujours un ustensile adapté à la taille de l'élément chauffant.

AVERTISSEMENT: POUR RÉDUIRE LE RISQUE DE DOMMAGES CORPORELS APRÈS LE DÉCLENCHEMENT D'UN FEU DE GRAISSE SUR LA CUISINIÈRE, APPLIQUER LES RECOMMANDATIONS SUIVANTES :^a

- Placer sur le récipient un couvercle bien ajusté, une tôle à biscuits ou un plateau métallique **POUR ÉTOUFFER LES FLAMMES**, puis éteindre le brûleur à gaz ou électrique. **VEILLER À ÉVITER LES BRÛLURES.** Si les flammes ne s'éteignent pas immédiatement, **ÉVACUER LA PIÈCE ET APPELER LES POMPIERS.**
- **NE JAMAIS PRENDRE EN MAIN UN RÉCIPENT ENFLAMMÉ** - vous risquez de vous brûler.
- **NE PAS UTILISER D'EAU**, ni un torchon humide - ceci pourrait provoquer une explosion de vapeur brûlante.
- Utiliser un extincteur **SEULEMENT** si :
 - Il s'agit d'un extincteur de classe ABC, dont on connaît le fonctionnement.
 - Il s'agit d'un petit feu encore limité à l'endroit où il s'est déclaré.
 - Les pompiers ont été contactés.
 - Il est possible de garder le dos orienté vers une sortie pendant l'opération de lutte contre le feu.

^aRecommandations tirées des conseils de sécurité en cas d'incendie de cuisine publiés par la NFPA.

- **AVERTISSEMENT :** Pour réduire le risque d'incendie ou de choc électrique, ne pas utiliser ce ventilateur avec un quelconque dispositif de réglage de la vitesse à semi-conducteurs.

CONSERVEZ CES INSTRUCTIONS

EXIGENCES D'INSTALLATION

Outillage et pièces

Rassembler les outils et pièces nécessaires avant de commencer l'installation. Lire et suivre les instructions de sécurité fournies avec les outils indiqués ici.

Outillage requis :

- niveau
- compas ou gabarit circulaire de 8" (20,3 cm)
- tournevis à lame plate
- tournevis Phillips
- pince
- cisaille de ferblantier
- perceuse
- forets de 1 1/4" et 1/8"
- crayon
- règle
- scie à chantourner
- scie sauteuse
- ruban adhésif pour conduits

Pièces nécessaires :

- serre-câble de 1/2" (12,5 mm) homologué UL ou CSA (en cas de raccordement direct uniquement)
- câble d'alimentation
- volet de diamètre 7" (17,8 cm) dans le cas de l'emploi d'un conduit d'évacuation de diamètre 7" (17,8 cm)
- 2 connecteurs de fil électrique

Exigences d'emplacement

IMPORTANT : Respecter tous les codes et règlements en vigueur.

La hotte devrait toujours être installée loin des sources de courants d'air comme des fenêtres, des portes et des bouches de chauffage.

Une prise de courant électrique reliée à la terre est nécessaire. Voir la section "Spécifications électriques".

On recommande que la hotte soit fixée sur du bois massif. S'il est nécessaire de fixer la hotte sur un panneau de gypse ou autre matériau, on devra utiliser un dispositif d'ancrage approprié (cheville ou écrou à ailette articulée) (acquisition séparée).

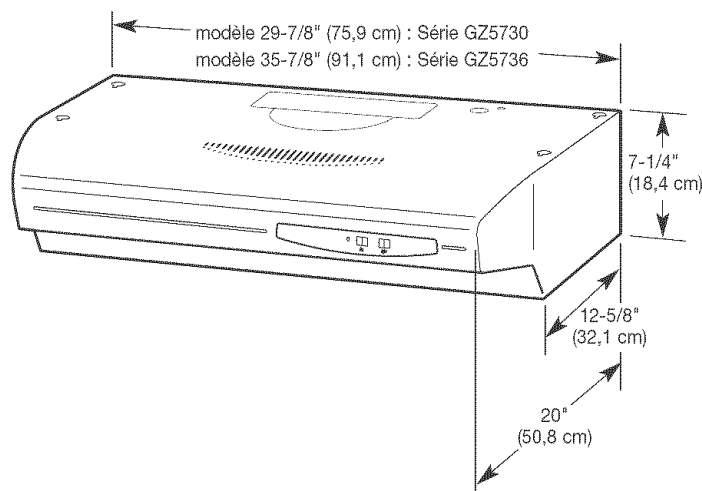
Cette hotte est configurée pour les installations sans décharge (recyclage de l'air). Pour les installations avec décharge à l'extérieur, voir la section "Instructions d'installation".

Si cette hotte doit être utilisée comme installation sans décharge, il est nécessaire d'acheter un ensemble de filtre de 30" (76,2 cm), pièce n° 4396291 ou un ensemble de filtre de 36" (91,4 cm), pièce n° 4396292.

Assurer l'étanchéité au niveau de chaque ouverture découpée dans le plafond ou le mur pour l'installation de la hotte.

Aux États-Unis uniquement : Pour les installations raccordées par cordon d'alimentation, un kit de connexion du cordon d'alimentation de la hotte de la cuisinière homologué UL (pièce n° 99524057) doit être utilisé. Ce cordon d'alimentation n'a pas été évalué pour utilisation au Canada.

Dimensions de l'appareil



Spécifications électriques

IMPORTANT : La hotte doit être correctement reliée à la terre en conformité avec les codes et règlements locaux en vigueur, ou en l'absence de tels codes, avec le National Electrical Code, ANSI/NFPA 70 - dernière édition, ou le Code canadien des installations électriques, CSA C22.1.

Si les codes le permettent et si on utilise un conducteur distinct de liaison à la terre, il est recommandé qu'un électricien qualifié vérifie la qualité de la liaison à la terre.

Pour obtenir un exemplaire de la norme des codes ci-dessus, contacter :

National Fire Protection Association
One Batterymarch Park, Quincy, MA 02269

CSA International
8501 East Pleasant Valley Road
Cleveland, Ohio 44131-5575

- L'appareil doit être alimenté par un circuit de 120 V CA, 60 Hz, CA seulement, 15 ampères, protégé par fusible. On recommande également d'utiliser un fusible ou un disjoncteur temporisé. Il est recommandé de raccorder la hotte sur un circuit distinct exclusif à cet appareil.
- Ne pas utiliser une tuyauterie de gaz pour le raccordement à la terre.
- En cas de doute quant à la qualité de la liaison à la terre de la hotte de la cuisinière, consulter un électricien qualifié.
- Ne pas installer un fusible dans le conducteur neutre ou dans le conducteur de liaison à la terre.
- La hotte doit être raccordée au réseau électrique uniquement avec des conducteurs de cuivre.
- La hotte doit être raccordée directement au coupe-circuit avec fusible ou au disjoncteur par l'intermédiaire de câble à conducteurs de cuivre, à blindage métallique flexible ou à gaine non-métallique.
- Un serre-câble (homologation UL ou CSA) doit être installé à chaque extrémité du câble d'alimentation. Le calibre des conducteurs (cuivre seulement) et les connexions doivent être compatibles avec la demande de courant de l'appareil spécifiée sur la plaque signalétique.
- La taille des conducteurs doit satisfaire aux prescriptions du National Electrical Code ANSI/NFPA 70, dernière édition, ou aux normes CSA C22.1-94, Code canadien des installations électriques (partie 1) et C22.2 n° 0-M91, dernière édition, et aux prescriptions de tous les codes et règlements locaux en vigueur.

Exigences concernant l'évacuation

- Le système de décharge (si nécessaire) pour l'installation n'est pas fourni.
- Le système doit décharger l'air à l'extérieur.
- Ne pas terminer le conduit d'évacuation dans un grenier ou dans un autre espace fermé.
- Ne pas utiliser une bouche de décharge murale de 4" (10,2 cm) normalement utilisée pour un équipement de buanderie.
- Utiliser un conduit métallique uniquement. Un conduit en métal rigide est recommandé. Ne pas utiliser un conduit de plastique ou en feuille métallique.

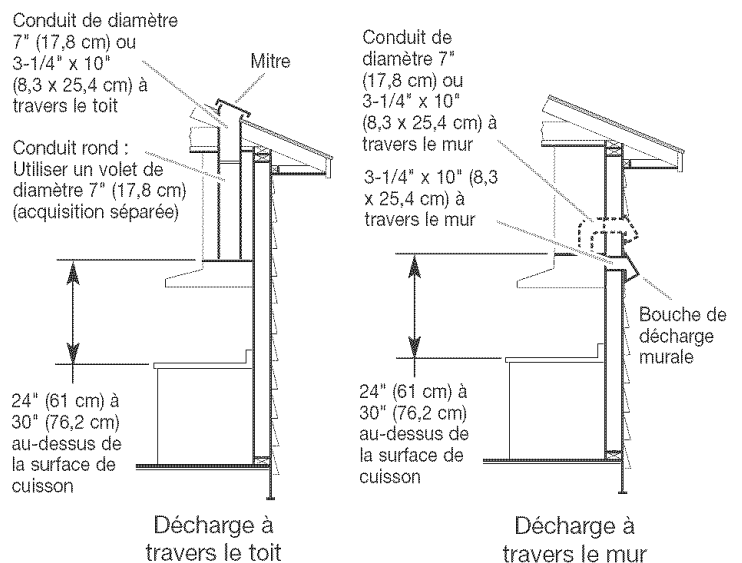
Pour un fonctionnement efficace et silencieux :

- La longueur du conduit de décharge et le nombre de coudes doivent être réduits au minimum pour fournir la meilleure performance. La taille du conduit de décharge doit être uniforme.
- Ne pas installer deux coudes ensemble.
- Le conduit de décharge peut parvenir à l'extérieur à travers le toit ou le mur.
- Pour maximiser l'efficacité et minimiser le bruit en fonctionnement, on recommande que l'air aspiré soit évacué verticalement à travers le toit, par l'intermédiaire d'un conduit de diamètre 7" (17,8 cm).
- Au niveau de chaque jointure du conduit de décharge, assurer l'étanchéité avec du ruban adhésif pour conduit.
- Autour de la bouche de décharge à l'extérieur, assurer l'étanchéité avec un produit de calfeutrage.

Méthodes de décharge à l'extérieur

Déterminer la méthode à utiliser pour la décharge à l'extérieur. Il est recommandé d'installer le conduit de décharge avant de procéder à l'installation de la hotte.

NOTE : Si on souhaite une installation sans décharge à l'extérieur (recyclage), suivre les instructions dans la section "Raccordement électrique".




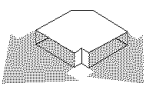
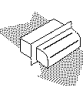
Calcul de la longueur effective du système de décharge

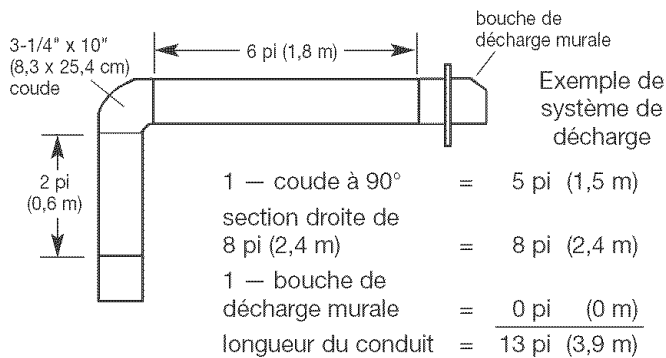
Pour calculer la longueur effective du système de décharge, on doit tenir compte de la longueur équivalente de chaque composant du système.

Pour la réalisation du circuit d'évacuation, utiliser du conduit de 3 1/4" x 10" (8,3 x 25,4 cm) ou 7" (17,8 cm) ; la longueur effective maximale ne doit pas dépasser 65 pi (19,8 m). Pour la meilleure performance, ne pas utiliser plus de trois coudes à 90°. Pour calculer la longueur effective du système de décharge, on doit tenir compte de la longueur équivalente de chaque composant du système. Voir les exemples ci-dessous.

Système de décharge de 3 1/4" x 10" (8,3 x 25,4 cm)



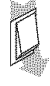
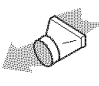
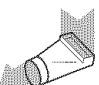
Raccords standard recommandés

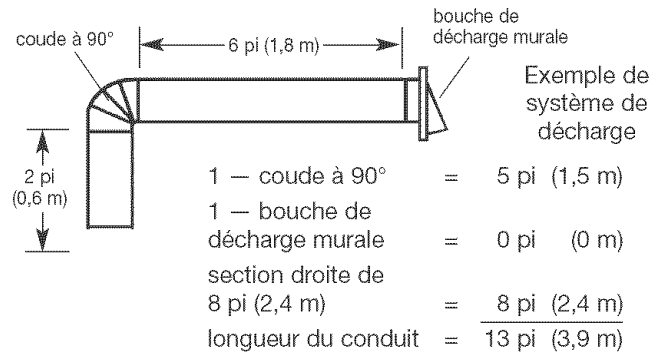
Composant	3 1/4" x 10" (8,3 x 25,4 cm)
3 1/4" x 10" (8,3 x 25,4 cm) Coude à 90°	5 pi (1,5 m) 
3 1/4" x 10" (8,3 x 25,4 cm) coude plat	12 pi (3,7 m) 
3 1/4" x 10" (8,3 x 25,4 cm) bouche de décharge murale	0 pi (0 m) 



Système de décharge de 7" (17,8 cm)

Raccords standard recommandés

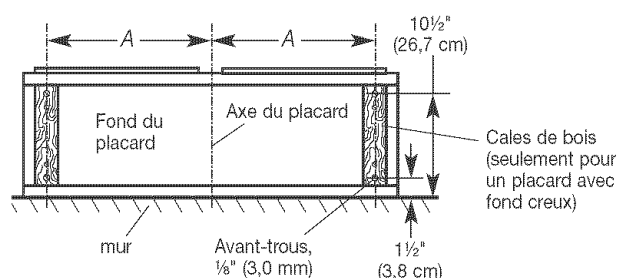
Composant	Conduit diamètre 7" (17,8 cm)
Coude à 45°	2,5 pi (0,8 m) 
Coude à 90°	5,0 pi (1,5 m) 
7" (17,8 cm) bouche de décharge murale	0 pi (0 m) 
3 1/4" x 10" (8,3 x 25,4 cm) à 7" (17,8 cm)	4,5 pi (1,4 m) 
3 1/4" x 10" (8,3 x 25,4 cm) à 7" (17,8 cm) Coude à 90°	5 pi (1,5 m) 



INSTRUCTIONS D'INSTALLATION

Préparation de l'emplacement

1. Si possible, déconnecter la cuisinière (cuisinière autonome ou encastrée) et la retirer de l'espace d'installation pour pouvoir accéder plus facilement aux placards muraux ou au mur arrière. Placer une feuille de carton ou de contreplaqué sous la cuisinière avant de la déplacer, pour éviter d'endommager le revêtement de sol. Sinon, placer une épaisse couverture de protection par-dessus le plan de travail, la cuisinière ou la table de cuisson pour la protection contre les dommages ou souillures.
2. Déterminer quelle méthode d'évacuation de l'air sera utilisée (avec décharge à travers le toit ou le mur, ou sans décharge à l'extérieur). Lors de la livraison, la hotte est configurée pour une installation sans décharge à l'extérieur (recyclage).



Taille de la hotte	A
30" (76,2 cm)	13 ¹⁵ / ₁₆ " (35,4 cm)
36" (91,4 cm)	16 ¹⁵ / ₁₆ " (43,0 cm)

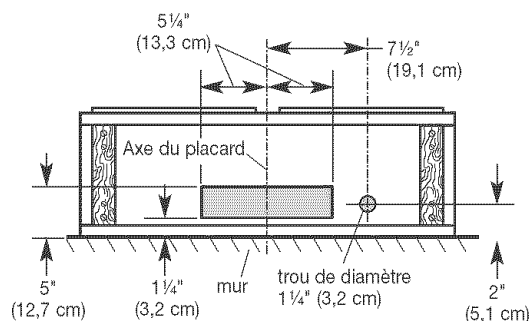
3. Percer quatre avant-trous de 1/8" (3,0 mm) pour les vis de montage de la hotte. Si le fond du placard forme une cavité, ajouter des cales de bois de chaque côté.
4. Sélectionner ci-dessous le diagramme correspondant à la configuration de l'installation.

Installations avec décharge à l'extérieur : Découper selon le besoin les trous de passage du câble électrique et du conduit d'évacuation.

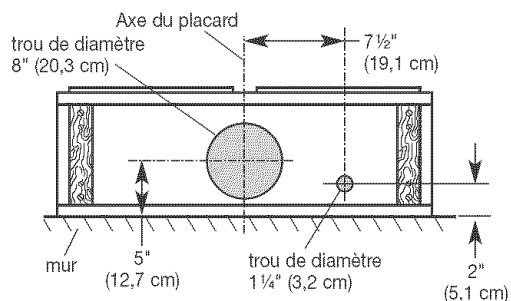
Installations sans décharge à l'extérieur : Percer seulement le trou de 1/4" (3,2 cm) pour le passage du câble électrique.

- Pour le câblage par le sommet, sélectionner l'emplacement indiqué sur l'illustration pour conduit d'évacuation vertical.
- Pour le câblage par l'arrière, sélectionner l'emplacement indiqué sur l'illustration pour conduit d'évacuation horizontal.

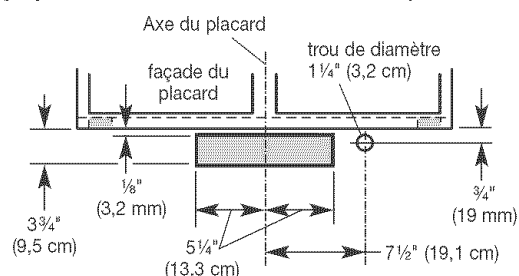
Décharge par conduit vertical 3 1/4" x 10" (8,3 x 25,4 cm)



Décharge par conduit vertical, diamètre 7" (17,8 cm)



Décharge par conduit horizontal 3 1/4" x 10" (8,3 x 25,4 cm)



Préparation de la hotte

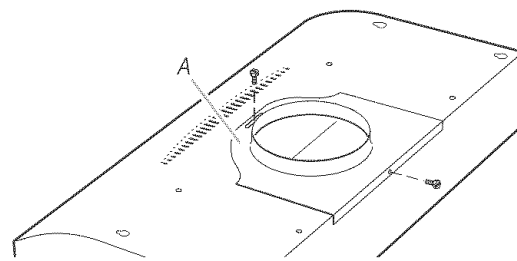
⚠ AVERTISSEMENT

Risque du poids excessif

Utiliser deux ou plus de personnes pour déplacer et installer la hotte de la cuisinière.

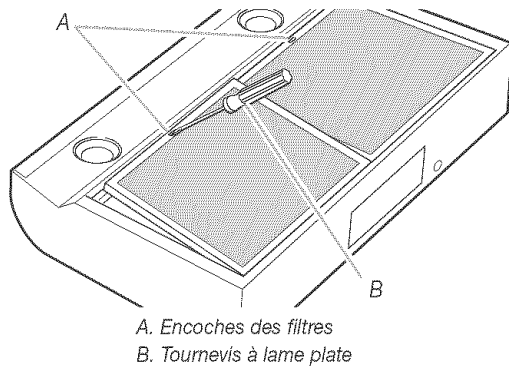
Le non-respect de cette instruction peut causer une blessure au dos ou d'autre blessure.

1. Placer la hotte sur un matériau protecteur (feuille de carton ou grande serviette). Au sommet de la hotte, enlever le raccord rond de diamètre 7" (17,8 cm) du conduit d'évacuation. Conserver le raccord et les vis de montage.

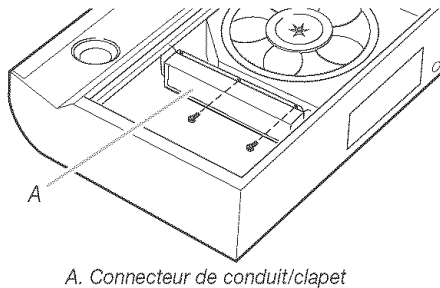


A. Raccord du conduit d'évacuation, diamètre 7" (17,8 cm)

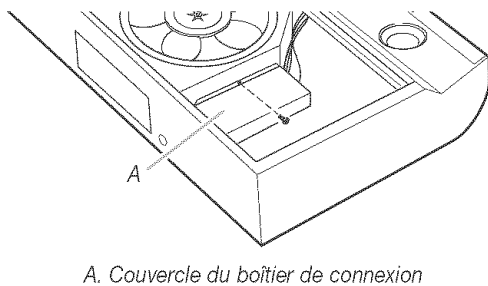
- Enlever les rubans adhésifs qui maintiennent les filtres standard en place. Enlever les deux filtres. Insérer un tournevis à lame plate dans l'encoche du filtre. Pousser le filtre vers l'arrière de la hotte, soulever pour enlever le filtre et conserver le filtre à part.



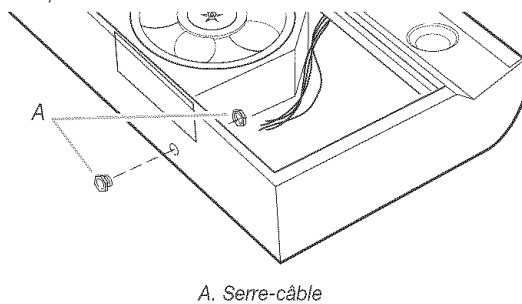
- Retirer de la hotte le module clapet/connecteur de conduit. Conserver à part le connecteur, les vis de montage et le sachet de pièces.



- À l'intérieur de la hotte, enlever le couvercle du boîtier de connexion. Conserver à part le couvercle et la vis de montage.

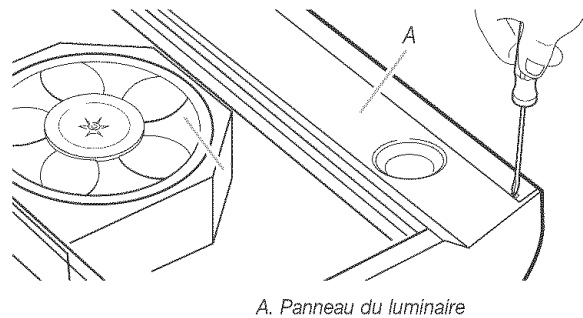


- Enlever l'opercule arrachable du trou de passage de câble approprié (au sommet ou à l'arrière, selon la configuration d'installation); installer un serre-câble de 1/2" (homologation UL ou CSA).

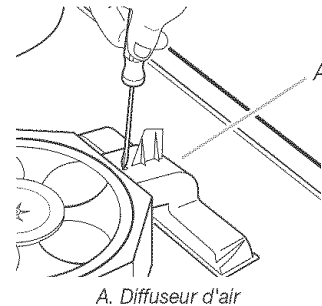


Installation avec décharge à l'extérieur

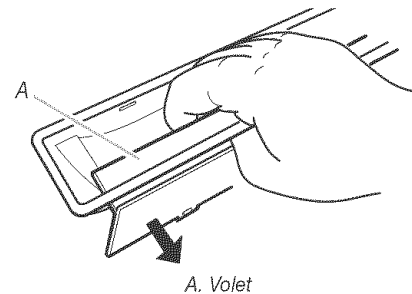
- Ôter les cinq vis fixant en place le panneau du luminaire; conserver les vis.
- Débrancher le connecteur du câblage du luminaire. Veiller à ne déconnecter aucun conducteur.
- Ôter le panneau du luminaire et le conserver à part.



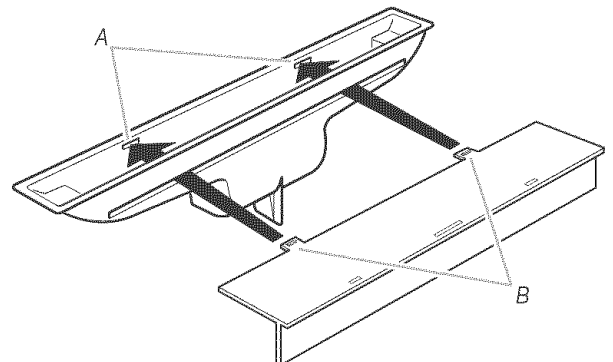
- Enlever le diffuseur d'air maintenu en place par une vis.



- Ôter le volet du diffuseur d'air.



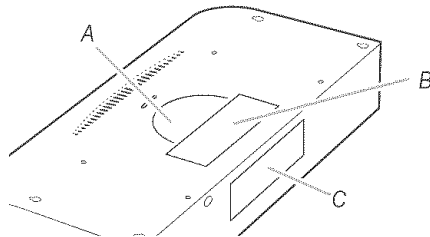
- Faire pivoter le volet et le réinsérer dans le diffuseur d'air de telle manière que les pattes du volet s'engagent complètement dans les fentes du diffuseur d'air. Ceci bloquera le passage de l'air à travers les fentes au sommet de la hotte.



Installation sans décharge à l'extérieur

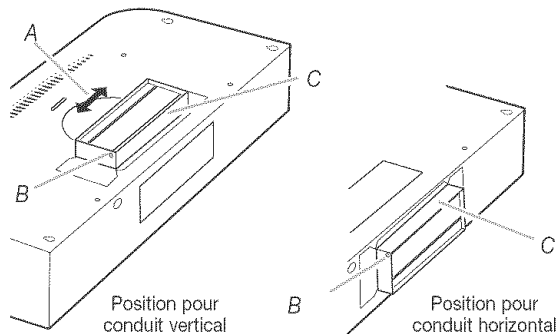
Passer à la section "Raccordement électrique".

7. Réinstaller le diffuseur d'air.
 8. Rebrancher le connecteur de câblage du luminaire et réinstaller le panneau du luminaire.
- NOTE :** Veiller à ne pas coincer les conducteurs entre le support et le panneau du luminaire.
9. Enlever l'opercule arrachable rectangulaire, du sommet ou de l'arrière. Si l'air doit être évacué par un conduit rond de 7" (17,8 cm), enlever l'opercule arrachable rectangulaire au sommet ainsi que l'opercule arrachable en demi-cercle.



A. Opercule arrachable - demi-cercle
 B. Opercule arrachable rectangulaire - sommet
 C. Opercule arrachable rectangulaire - arrière

10. Installer le clapet :



Position pour conduit vertical

Position pour conduit horizontal

A. Ajustement latéral jusqu'à 1" (2,5 cm)
 B. Pivot
 C. Module connecteur/clapet

Pour conduit d'évacuation rectangulaire seulement :

Fixer l'ensemble connecteur/clapet au-dessus de l'ouverture où se trouvait l'opercule arrachable. Veiller à ce que le pivot du clapet soit le plus proche possible du bord supérieur/arrière de la hotte. Enlever le ruban adhésif du clapet.

NOTE : Pour l'évacuation par un conduit horizontal, on recommande que le conduit d'évacuation rectangulaire soit fixé sur le module clapet/connecteur et que l'étanchéité soit assurée avec du ruban adhésif pour conduit, avant l'installation de la hotte.

Pour conduit d'évacuation cylindrique seulement :

Réinstaller le raccord de conduit circulaire qui a été enlevé à l'étape 1 de la section "Préparation de la hotte".

Installer un clapet rond de 7" (17,8 cm) (acquisition séparée). Il faut que le volet puisse manœuvrer librement dans la direction de circulation de l'air (en s'éloignant de la hotte).

NOTE : Si le conduit d'évacuation n'est pas parfaitement centré par rapport à la hotte, il est possible de déplacer le connecteur de conduit (pour conduit rectangulaire ou circulaire) de 1" (2,5 cm) dans un sens ou dans l'autre. En cas de décentrage extrême, il peut être nécessaire de tailler une extrémité du connecteur de conduit pour qu'il n'y ait pas d'interférence avec le serre-câble.

Raccordement électrique

Raccordement direct

⚠ AVERTISSEMENT



Risque de choc électrique

Déconnecter la source de courant électrique avant l'entretien.

Replacer pièces et panneaux avant de faire la remise en marche.

Le non-respect de ces instructions peut causer un décès ou un choc électrique.

⚠ AVERTISSEMENT



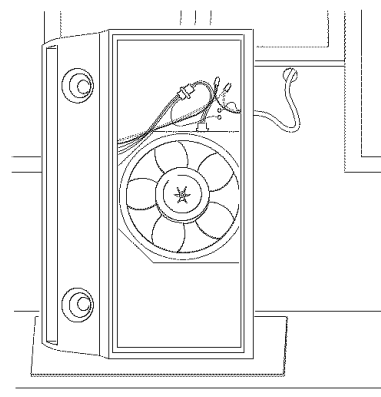
Risque de choc électrique

Relier le ventilateur à la terre.

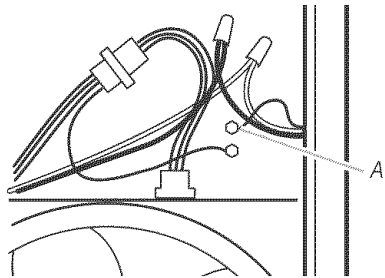
Brancher le fil relié à la terre à la vis verte reliée la terre dans la boîte de connexion.

Le non-respect de cette instruction peut causer un décès ou un choc électrique.

1. Interrompre l'alimentation électrique.
2. Si cela n'a pas déjà été fait, faire passer le câble d'alimentation à travers le mur ou les placards; installer le câble conformément aux prescriptions des codes et règlements en vigueur.
3. Placer la hotte comme on le voit sur l'illustration (laisser le matériau de protection pour protéger la hotte et la table de cuisson). Faire passer le câble d'alimentation électrique à travers le serre-câble.



- Utiliser des connecteurs de fils et raccorder ensemble les conducteurs noirs.
- Utiliser des connecteurs de fils et raccorder ensemble les conducteurs blancs.
- Raccorder le conducteur de liaison à la terre du câble d'alimentation au connecteur vert de liaison à la terre; bien serrer.



A. Connecteur vert - liaison à la terre

- Bien serrer le serre-câble.
- Réinstaller le couvercle du boîtier de connexion.

Cordon d'alimentation (homologation UL) (É.-U. seulement)

- Connecter un cordon d'alimentation (homologation UL; pièce n° 99524057 - (É.-U. seulement); pour le raccordement des conducteurs, procéder selon les instructions fournies.

NOTE : Un serre-câble est fourni avec le cordon d'alimentation.

- Réinstaller le couvercle du boîtier de connexion.

Installation de la hotte de cuisinière

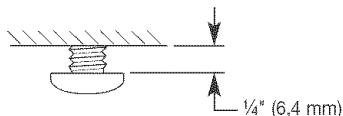
⚠ AVERTISSEMENT

Risque du poids excessif

Utiliser deux ou plus de personnes pour déplacer et installer la hotte de la cuisinière.

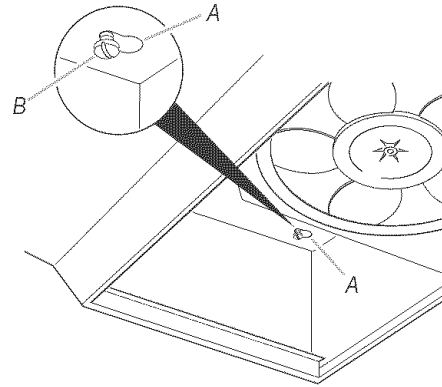
Le non-respect de cette instruction peut causer une blessure au dos ou d'autre blessure.

- Prendre les quatre vis de montage de la hotte dans le sachet de pièces et placer les vis dans les avant-trous de $\frac{1}{8}$ " (3,0 mm) percés précédemment. Laisser la tête des vis dépasser d'environ $\frac{1}{4}$ " (6,4 mm) par rapport aux cales de bois.



- Soulever la hotte jusqu'à sa position finale, tout en insérant le câble électrique à travers le trou de passage du câble. Pour éviter des dommages, veiller à ne pas pousser sur les lames du ventilateur.

- Positionner les trous allongés de la hotte par-dessus la tête des vis, puis pousser la hotte vers le mur pour engager la partie étroite des trous sur les vis de fixation.



A. Trous allongés (4)
B. Vis de montage

- Serrer les vis de montage sur le placard et la hotte en veillant à ce que chaque vis reste dans la partie étroite du trou de la hotte.

Installation avec décharge à l'extérieur :

- Vérifier que le volet de l'orifice de sortie de l'air peut manœuvrer librement.
- Raccorder le conduit à la hotte. Assurer l'étanchéité des jointures avec du ruban adhésif pour conduit.

Achever l'installation

- Installer deux (2) lampes à halogène PAR20 (50 W maximum) ou deux (2) lampes à incandescence R16 (40 W maximum) (acquisition séparée).
- Réinstaller les filtres.

NOTE : L'encoche des filtres doit être orientée vers l'avant de la hotte.

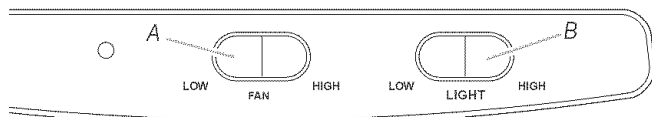
Installation sans décharge de l'air à l'extérieur : Fixer un filtre au charbon (non fourni) sur chaque filtre d'aluminium; orienter les rayures bleues et jaunes vers la table de cuisson. Vérifier que le ventilateur peut tourner librement.

- Rétablir l'alimentation électrique.
- Contrôler le fonctionnement correct de l'appareil.

UTILISATION DE LA HOTTE DE CUISINIÈRE

Fonctionnement

Tableau de commande de la hotte



A. Commutateur du ventilateur
B. Commutateur d'éclairage

Fonctionnement du ventilateur

Le ventilateur est commandé par un commutateur à bascule à 3 positions. Lorsqu'on pousse le bouton vers la gauche, on sélectionne la basse vitesse; lorsqu'on pousse le bouton vers la droite, on sélectionne la haute vitesse; pour commander l'arrêt de l'appareil, placer le bouton à la position centrale. Un témoin lumineux indique que le ventilateur est alimenté.

Commande du luminaire

Le fonctionnement du luminaire est commandé par un commutateur à bascule à 3 positions. Pour l'intensité d'éclairage minimum, pousser le bouton vers la gauche; pour l'intensité d'éclairage maximale, pousser le bouton vers la droite. Pour commander l'extinction, placer le bouton à la position centrale.

Remplacement des lampes

Avant d'entreprendre cette opération, vérifier que l'alimentation électrique de la hotte est interrompue et attendre que les lampes aient pu refroidir. La température de fonctionnement des lampes à halogène est très élevée. Pour d'autre information, voir l'emballage des lampes.

Installer des lampes neuves : lampes à halogène (2) PAR20 (50 W maximum) ou lampes à incandescence (2) R16 (40 W maximum).

ENTRETIEN DE LA HOTTE DE CUISINIÈRE

Nettoyage et entretien

Avant d'entreprendre le nettoyage de la hotte, attendre le refroidissement des lampes.

Nettoyage du capot

1. Interrompre l'alimentation électrique.
2. Enlever les filtres.
3. Avec un chiffon humide et un détergent doux, nettoyer/essuyer toutes les surfaces grasses. Procéder très prudemment pour le nettoyage des lames du ventilateur - veiller à ne pas déformer le ventilateur et à ne pas perturber son alignement. Veiller à ne pas laisser l'eau atteindre le moteur.
4. Laisser sécher parfaitement toutes les surfaces avant de réinstaller les filtres.
5. Rétablir l'alimentation électrique.

Le moteur est doté d'une lubrification à vie. Ne jamais démonter ou lubrifier le moteur.

Filtres d'aluminium

Nettoyer fréquemment les filtres avec de l'eau chaude et un détergent doux. On peut nettoyer les filtres au lave-vaisselle.

Filtres au charbon (installation sans décharge à l'extérieur)

- Nettoyer fréquemment la surface des filtres avec un chiffon humide et un détergent doux. Ne pas immerger les filtres dans de l'eau ni les placer dans un lave-vaisselle.
- Les rayures bleues et jaunes qu'on observe sur un filtre neuf prennent une teinte verte (mélange des couleurs) lorsque la durée de vie normale du filtre est épuisée. Pour obtenir la meilleure performance des filtres, orienter les rayures bleues et jaunes vers la table de cuisson.
- Hotte de 30" (76,2 cm) - trousse de filtre n° 4396291; hotte de 36" (91,4 cm) - trousse de filtre n° 4396292. On peut acquérir ces filtres chez un revendeur local.

DEMANDE D'ASSISTANCE OU DE SERVICE

Si vous avez besoin d'assistance ou de service au Canada

Pour des questions relatives aux produits, veuillez appeler sans frais le Centre d'interaction avec la clientèle de Whirlpool Canada LP. au **1-800-461-5681**. Du lundi au vendredi de 8 h 00 à 18 h 00 (HNE). Le samedi de 8 h 30 à 16 h 30 (HNE).

Nos consultants fournissent de l'assistance pour :

- Caractéristiques et spécifications de notre gamme complète d'appareils ménagers.
- Références aux concessionnaires locaux.

Pour pièces, accessoires et service au Canada

Téléphoner au **1-800-807-6777**. Les techniciens de service désignés par Whirlpool Canada LP. sont formés pour remplir la garantie des produits et fournir un service après garantie partout au Canada.

Pour plus d'assistance

Si vous avez besoin de plus d'assistance, vous pouvez écrire à Whirlpool Canada LP. en soumettant toute question ou problème au :

Centre d'interaction avec la clientèle
Whirlpool Canada LP.
1901 Minnesota Court
Mississauga, Ontario L5N 3A7

Dans votre correspondance, veuillez indiquer un numéro de téléphone où l'on peut vous joindre dans la journée.

GARANTIE DE LA HOTTE DE CUISINIÈRE

Pendant un an à compter de la date d'achat, lorsque cet appareil est utilisé et entretenu conformément aux instructions jointes à ou fournies avec le produit, Whirlpool Corporation paiera pour les pièces et la main-d'œuvre de votre hotte de cuisinière (sauf ampoules et filtres) pour corriger les vices de matériaux ou de fabrication.

Whirlpool Corporation ne paiera pas pour :

1. Les visites de service pour rectifier l'installation de l'appareil, montrer à l'utilisateur comment utiliser l'appareil, remplacer des fusibles ou rectifier le câblage du domicile ou remplacer des ampoules électriques et des filtres accessibles par le propriétaire.
 2. Les pièces consommables comme ampoules et filtres.
 3. Les réparations lorsque l'appareil ménager est utilisé à des fins autres que l'usage unifamilial normal.
 4. Le ramassage et la livraison. L'appareil ménager est conçu pour être réparé à domicile.
 5. Les dommages causés par : accident, modification, mésusage, abus, incendie, inondation, mauvaise installation, actes de Dieu ou l'utilisation de produits non approuvés par Whirlpool Corporation ou Whirlpool Canada LP.
-

WHIRLPOOL CORPORATION ET WHIRLPOOL CANADA LP. N'ASSUMENT AUCUNE RESPONSABILITÉ POUR LES DOMMAGES FORTUITS OU INDIRECTS.

Certains États ou certaines provinces ne permettent pas l'exclusion ou la limitation des dommages fortuits ou indirects de sorte que cette exclusion ou limitation peut ne pas être applicable dans votre cas. Cette garantie vous confère des droits juridiques spécifiques et vous pouvez également jouir d'autres droits qui peuvent varier d'un État à un autre ou d'une province à une autre.

À l'extérieur du Canada et des 50 États des États-Unis, cette garantie ne s'applique pas. Contacter votre marchand Whirlpool autorisé pour déterminer si une autre garantie s'applique.

Si vous avez besoin de service, voir la section "Demande d'assistance ou de service" ou appeler sans frais le Centre d'interaction avec la clientèle Whirlpool, au **1-800-250-1301**, de n'importe où aux É.-U. Pour les pièces et le service au Canada, veuillez appeler le **1-800-807-6777**. Pour des questions relatives aux produits au Canada, veuillez appeler le **1-800-461-5681**.

Conservez ce manuel et votre reçu de vente ensemble pour référence ultérieure. Pour le service sous garantie, vous devez présenter un document prouvant la date d'achat ou d'installation.

Inscrivez les renseignements suivants au sujet de votre appareil ménager pour mieux vous aider à obtenir assistance ou service en cas de besoin. Vous devrez connaître le numéro de modèle et le numéro de série au complet. Vous pouvez trouver cette information sur la plaque signalétique située sur votre appareil.

Nom du marchand _____

Adresse _____

Numéro de téléphone _____

Numéro de modèle _____

Numéro de série _____

Date d'achat _____