

# KitchenAid® Gas Built-in Cooktop

## PRODUCT MODEL NUMBERS

KGCC506R      KGCK306V  
KGCC566R      KGCK366V

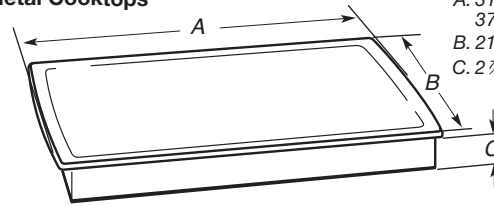
**Gas Supply:** This cooktop is factory set for use with Natural gas. Cooktop can be converted to LP gas. The model/serial rating plate located on the underside of the cooktop has information on the types of gas that can be used. Provide a gas supply line of  $\frac{3}{4}$ " (1.9 cm) rigid pipe to the cooktop location. A smaller size pipe on longer runs may result in insufficient gas supply. Pipe-joint compounds that resist the action of LP gas must be used. Do not use TEFLON® tape.\* With LP gas, piping or tubing size can be  $\frac{1}{2}$ " minimum. Usually, LP gas suppliers determine the size and materials used in the system.

**Electrical:** A 120-volt, 60-Hz, AC-only, 15-amp fused, electrical circuit is required. A time-delay fuse or circuit breaker is also recommended. It is recommended that a separate circuit serving only this cooktop be provided.

\*TEFLON® is a registered trademark of E.I. Du Pont De Nemours and Company.

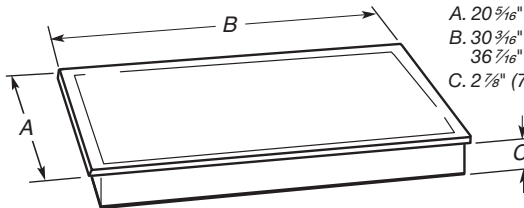
## PRODUCT DIMENSIONS

### Metal Cooktops



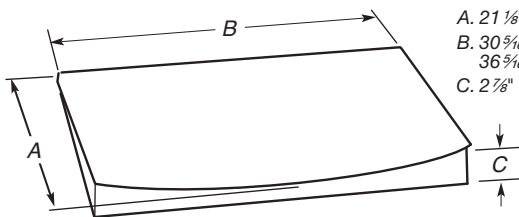
A.  $31\frac{1}{16}$ " (79.8 cm) on 30" (76.2 cm) models,  
 $37\frac{9}{16}$ " (95.4 cm) on 36" (91.4 cm) models  
B.  $21\frac{1}{4}$ " (53.4 cm)  
C.  $2\frac{7}{8}$ " (7.3 cm)

### Straight-edge glass cooktops



A.  $20\frac{5}{8}$ " (51.5 cm)  
B.  $30\frac{3}{16}$ " (76.8 cm) on 30" (76.2 cm) models,  
 $36\frac{7}{16}$ " (92.5 cm) on 36" (91.4 cm) models  
C.  $2\frac{7}{8}$ " (7.3 cm)

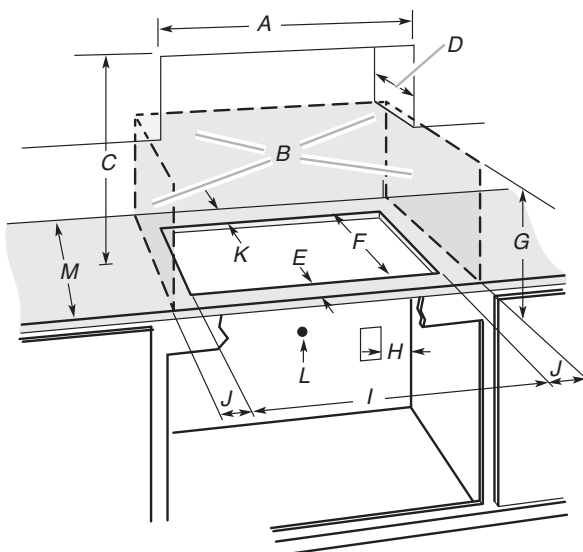
### Curved-edge glass cooktops



A.  $21\frac{1}{8}$ " (53.7 cm)  
B.  $30\frac{3}{16}$ " (77.0 cm) on 30" (76.2 cm) models,  
 $36\frac{5}{16}$ " (92.3 cm) on 36" (91.4 cm) models  
C.  $2\frac{7}{8}$ " (7.3 cm)

## CABINET DIMENSIONS

**IMPORTANT:** If installing a range hood or microwave hood combination above the cooktop, follow the range hood or microwave hood combination installation instructions for dimensional clearances above the cooktop surface.



- A. 30" (76.2 cm) on 30" models; 36" (91.4 cm) on 36" models
- B. Combustible area above countertop (shown by dashed box)
- C. 30" (76.2 cm) minimum clearance between top of cooktop platform and bottom of unprotected wood or metal cabinet (24" [61 cm] minimum clearance if bottom of wood or metal cabinet is protected by not less than  $\frac{1}{4}$ " [0.6 cm] flame retardant millboard covered with not less than No. 28 MSG sheet steel, 0.015" [0.04 cm] stainless steel, or 0.024" [0.06 cm] aluminum or 0.020" [0.05 cm] copper)
- D. 13" (33 cm) recommended upper cabinet depth
- E.  $2\frac{1}{8}$ " (5.4 cm)
- F. 19" (48.3 cm)
- G. 18" (45.7 cm) minimum clearance from upper cabinet to countertop within minimum horizontal clearances to cooktop
- H. Grounded outlet - Locate within 24" (61 cm) of right rear corner of cutout
- I. 29" (73.7 cm) on 30" models; 35 $\frac{1}{4}$ " (89.5 cm) on 36" models
- J.  $8\frac{3}{8}$ " (21.3 cm) minimum distance to nearest left and right side combustible surface
- K.  $2\frac{7}{8}$ " (7.3 cm) minimum distance to rear combustible surface
- L. Gas line opening - Wall: anywhere 5" (12.7 cm) below underside of countertop. Cabinet floor: Anywhere within 6" (15.2 cm) of rear wall is recommended
- M. 24" (61 cm) minimum countertop depth is required

**NOTES:** After making the countertop cutout, some installations may require notching down the base cabinet side walls to clear the cooktop base. To avoid this modification, use a base cabinet with sidewalls wider than the cutout.

If cabinet has a drawer, a 4" (10.2 cm) depth clearance from the countertop to the top of the drawer (or other obstruction) in base cabinet is required. The drawer depth may need to be shortened to avoid interfering with the regulator.