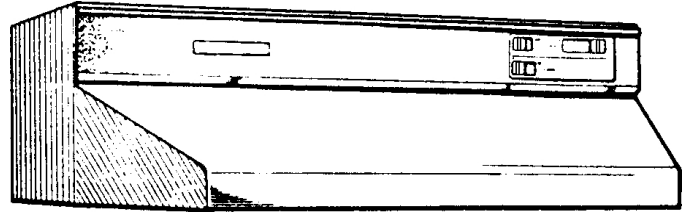




HC88 RANGE HOOD SERIES INSTALLATION INSTRUCTIONS



READ AND SAVE THESE INSTRUCTIONS

For Ductfree Installation:
Follow all general steps and:
purchase a HF88 Filter Kit, available from your Distributor.

WARNING

TO REDUCE THE RISK OF FIRE, ELECTRIC SHOCK, OR INJURY TO PERSONS, OBSERVE THE FOLLOWING:

1. Use this unit only in the manner intended by the manufacturer. If you have questions, contact the manufacturer at the address or telephone number listed in the warranty.
2. Before servicing or cleaning unit, switch power off at service panel and lock the service disconnecting means to prevent power from being switched on accidentally. When the service disconnecting means cannot be locked, securely fasten a prominent warning device, such as a tag, to the service panel.
3. Installation work and electrical wiring must be done by a qualified person(s) in accordance with all applicable codes and standards, including fire-rated construction codes and standards.
4. Sufficient air is needed for proper combustion and exhausting of gases through the flue (chimney) of fuel burning equipment to prevent backdrafting. Follow the heating equipment manufacturer's guideline and safety standards such as those published by the National Fire Protection Association (NFPA), and the American Society for Heating, Refrigeration and Air Conditioning Engineers (ASHRAE), and the local code authorities.
5. When cutting or drilling into wall or ceiling, do not damage electrical wiring and other hidden utilities.
6. Do not use this unit with an additional speed control device.
7. Ducted fans must always be vented to the outdoors.
8. To reduce the risk of fire, use only metal ductwork.
9. This unit must be grounded.

TO REDUCE THE RISK OF A RANGE TOP GREASE FIRE:

1. Never leave surface units unattended at high settings. Boilovers cause smoking and greasy spillovers that may ignite. Heat oils slowly on low or medium settings.
2. Always turn hood ON when cooking at high heat or when cooking flaming foods.
3. Clean ventilating fans frequently. Grease should not be allowed to accumulate on fan or filter.
4. Use proper pan size. Always use cookware appropriate for the size of the surface element.

TO REDUCE THE RISK OF INJURY TO PERSONS IN THE EVENT OF A RANGE TOP GREASE FIRE, OBSERVE THE FOLLOWING:*

1. SMOTHER FLAMES with a close-fitting lid, cookie sheet, or metal tray, then turn off the burner. BE CAREFUL TO PREVENT BURNS. If the flames do not go out immediately, EVACUATE AND CALL THE FIRE DEPARTMENT.

2. NEVER PICK UP A FLAMING PAN — You may be burned.
 3. DO NOT USE WATER, including wet dishcloths or towels - violent steam explosion will result.
 4. Use an extinguisher ONLY if:
 - A. You know you have a Class ABC extinguisher and you already know how to operate it.
 - B. The fire is small and contained in the area where it started.
 - C. The fire department is being called.
 - D. You can fight the fire with your back to an exit.
- * Based on "Kitchen Fire Safety Tips" published by NFPA.

CAUTION

1. For general ventilating use only. Do not use to exhaust hazardous or explosive materials and vapors.
2. To avoid motor bearing damage and noisy and/or unbalanced impellers, keep drywall spray, construction dust, etc. off power unit.
3. This product is equipped with a thermostat which may start fan automatically. To reduce the risk of injury, switch power off at service panel and lock service panel to prevent power from being switched on automatically.
4. Your hood motor has a thermal overload which will automatically shut off the motor if it becomes overheated. The motor will restart when it cools down. If the motor continues to shut off and restart, have the hood serviced.
5. For best capture of cooking impurities, your range hood should be mounted 18-24" above the cooking surface.
6. Please read specification label on product for further information and requirements.

TOOLS AND MATERIALS REQUIRED

TOOLS

- o Drill, electric or ratchet drive
- o 1-1/4" Spade bit
- o Common head and phillips head screwdriver
- o Pliers
- o

For Ducted Installations Only:

- o Saber Saw or drywall saw
- o Metal snips

MATERIALS

- o Electrical wiring and supplies of type to comply with local codes

For Ducted Installations Only:

- o Roof or wall cap
- o Roof cement or caulk
- o Duct and duct tape

TOOLS AND MATERIALS REQUIRED (continued)

For Ductfree Installations Only:

- ❑ One two-pack HF88 Replacement Filter Kit

For Installation On Kitchen Cabinets With Recessed Bottoms Only:

- ❑ Two 1" x 2" x 12" (approximate length) wood strips (purchase locally)
- ❑ Four 1-1/4" long flat head wood screws (purchase locally) to fasten strips to cabinet bottom

PLAN DUCTWORK INSTALLATION

For Ducted Installations Only:

Begin planning ductwork by deciding where duct will run between hood and outside. For best performance, use shortest possible duct run and a minimum number of elbows. In more complex situations, 3-1/4" x 10" duct can be converted to round duct by means of a transition. FIGS 1A - 1E show several choices.

FIG. 1A

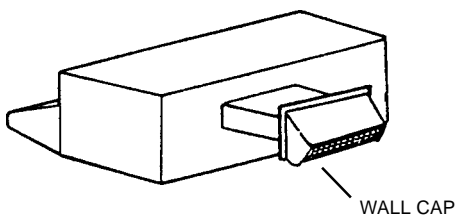


FIG. 1A: Ducting directly through outside wall. If wall cap is used directly off back of hood, check to make sure that damper flap in damper/duct connector on hood does not interfere with damper flap in wall cap. If it does, remove flap on hood damper/duct connector.

FIG. 1B

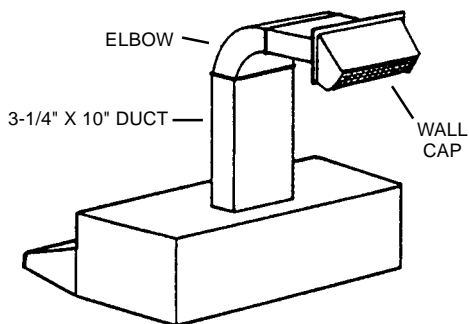


FIG. 1B: At times it will be easier to run duct vertically and use an elbow.

PLAN DUCTWORK INSTALLATION (continued)

FIG. 1C

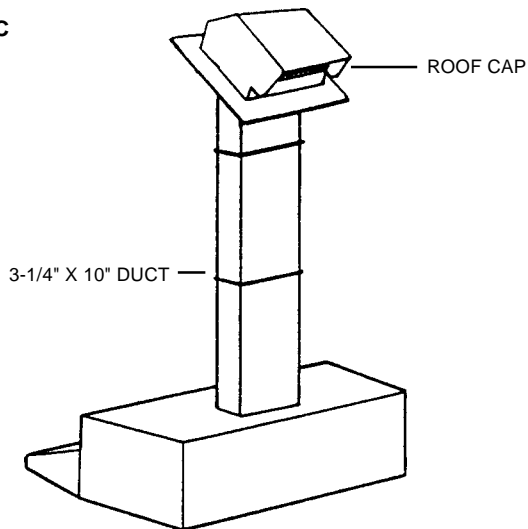


FIG. 1C: Ducting straight up through roof using 3-1/4" x 10" duct. For single story installations.

FIG. 1D

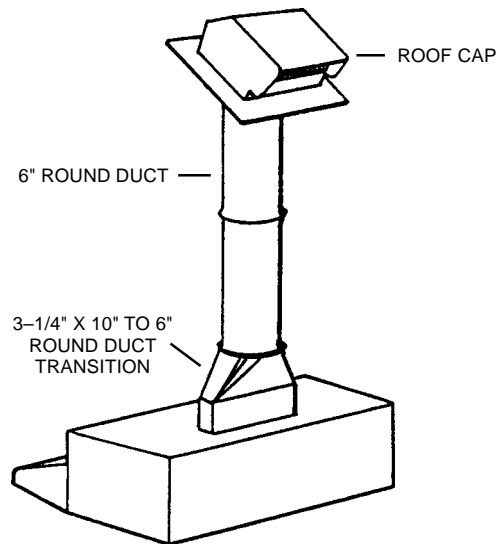


FIG. 1D: Straight up through roof using round duct.

FIG. 1E

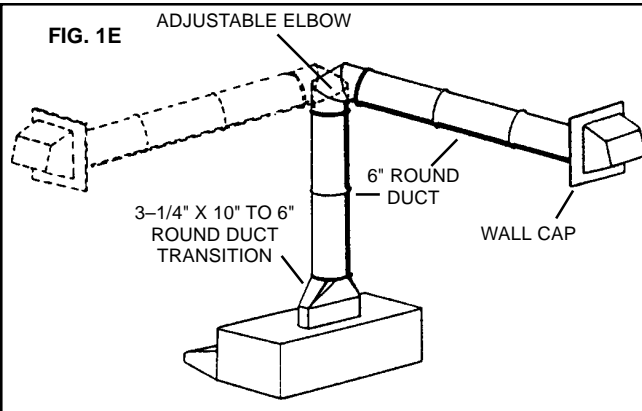
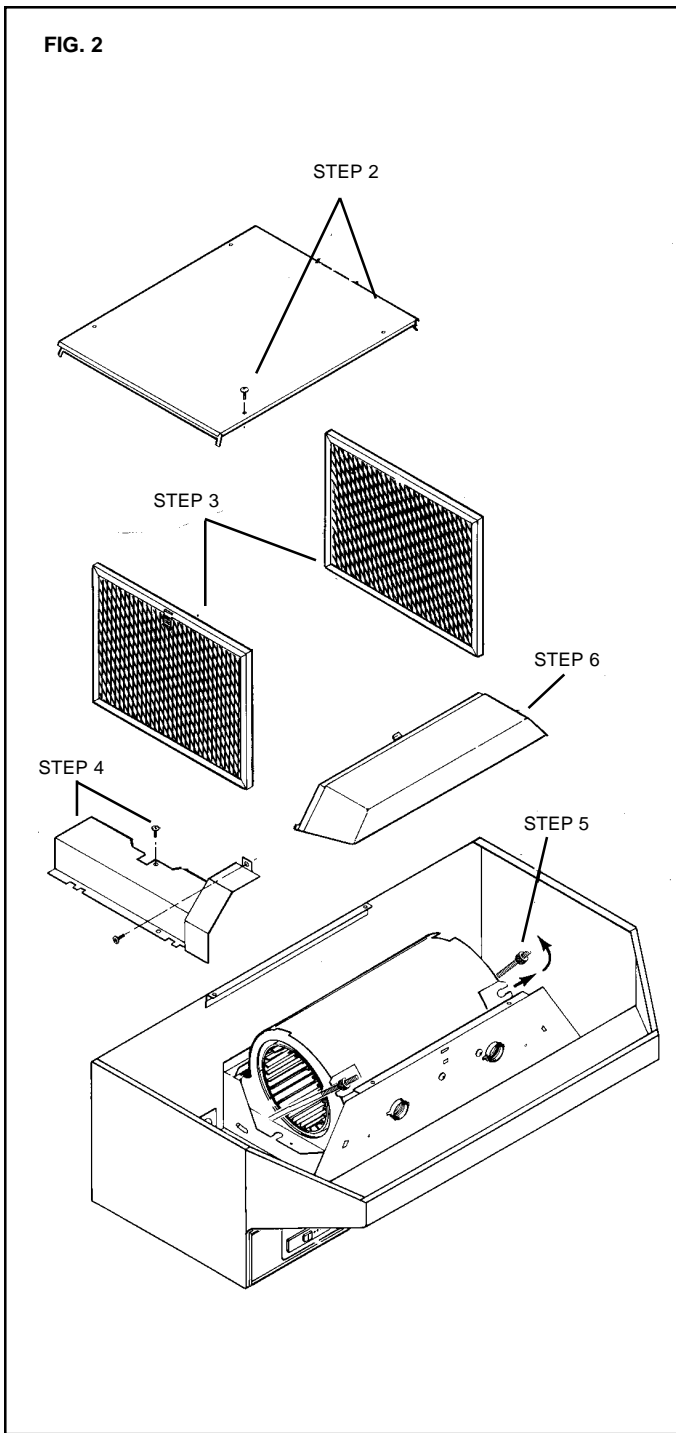


FIG. 1E: Ducting between ceiling joists for multi-story installations or through soffits above cabinets where soffit connects to outside walls.

FIG. 2



PREPARE HOOD

1. Unpack hood and check contents. You should receive:
 - 1 - assembled hood
 - 1 - plastic bag, containing:
 - 4 - 7/8" wood screws for mounting hood to cabinet
 - 2 - 1/4" black sheet metal screws for mounting damper/duct connector to hood
 - 2 - aluminum filters
 - 1 - damper/duct connector

For Ductfree Installations Only:

Discard damper/duct connector and two black sheet metal screws.

For Steps 2 - 6 below, refer to FIG. 2.

2. Set hood upside down and remove bottom cover and screws.
3. Remove filters.
4. Remove wiring box cover and screws.
5. To make hood lighter and easier to handle, remove blower assembly.
 - a.) Unplug blower.
 - b.) Loosen knurled nuts on mounting rods and slip rods out of blower mounting brackets. Do not remove nuts completely from rods.
 - c.) Lift out blower and set blower aside.

CAUTION

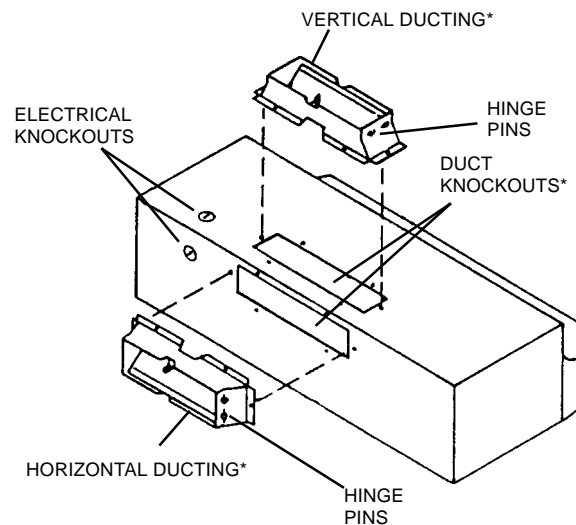
DO NOT GRASP BLOWER BY BLOWER WHEELS. WHEELS MAY BE DAMAGED.

6. Remove light lens. Squeeze sides of lens toward center of hood and lift lens out.
7. Remove either top or rear electrical knockout. (FIG. 3)

For Ducted Installations Only:

7. Remove either top or rear duct knockout. (FIG. 3)
Fasten damper/duct connector to hood over opening. Use two black sheet metal screws provided in parts bag. (FIG. 3)

FIG. 3



* FOR DUCTED INSTALLATIONS ONLY.

PREPARE THE INSTALLATION LOCATION

NOTE

IF DISTANCE BETWEEN WALL AND FRONT OF CABINET FACE FRAME IS MORE THAN 12", THERE WILL BE A GAP BETWEEN BACK OF HOOD AND WALL. THIS IS NORMAL. TOP FRONT EDGE OF HOOD SHOULD BE FLUSH WITH FRONT OF CABINET FACE FRAME. OMIT STEP 1 IF HOOD WILL BE INSTALLED UNDER CABINETS WITH FLUSH BOTTOM.

1. For Cabinets With Recessed Bottoms ONLY: (FIG. 4)
 - Install wood filler strips on each side of recessed area under cabinet. Use two 1" x 2" strips cut to length (use thicker strips if necessary). Fasten strips with wood screws about 3" in from each end.
 2. Measure and mark the following: (FIG. 5)
 - a.) electrical wiring opening
- For Ducted Installations Only:
- b.) duct opening
3. Cut duct opening in wall or cabinet bottom.
 4. Drill 1-1/4" electrical wiring opening in wall cabinet bottom.
 5. Hold hood up against cabinet bottom and trace keyhole slots onto cabinet bottom or filler strips. For larger hoods: Two 1/4" dia. holes are provided for secure mounting. They are located in top of hood approx. 8" each side of center. Add filler strips for these as necessary. Avoid blocking hood's vertical electrical knockout.
 6. Screw four 7/8" wood screws from parts bag into exact center of narrow end of keyhole slots marked on cabinet bottom. Allow 3/8" of screws to project, so hood can be fitted into place later.
 7. Run electric wiring through hole drilled in wall or cabinet. Provide 6" leads and install proper connector for type of wire used.

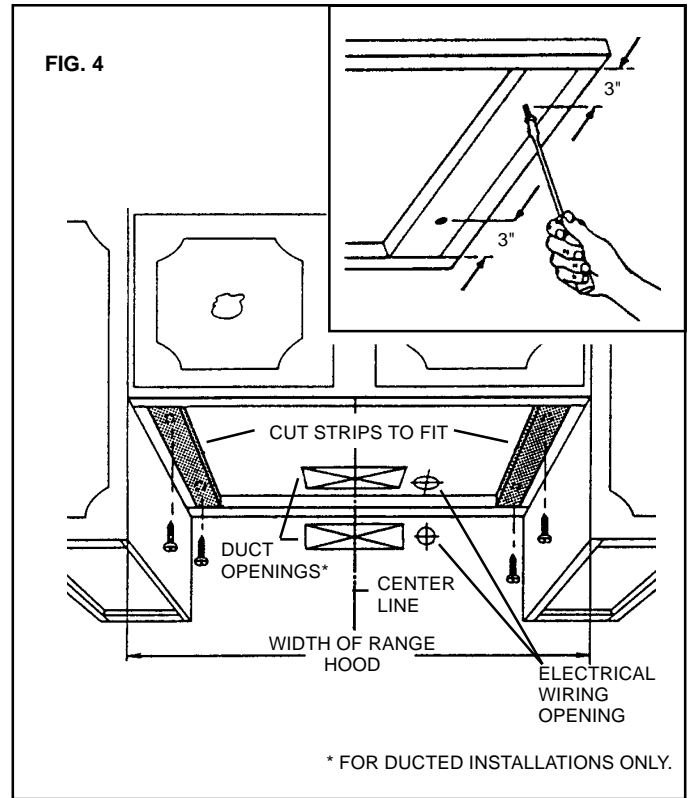
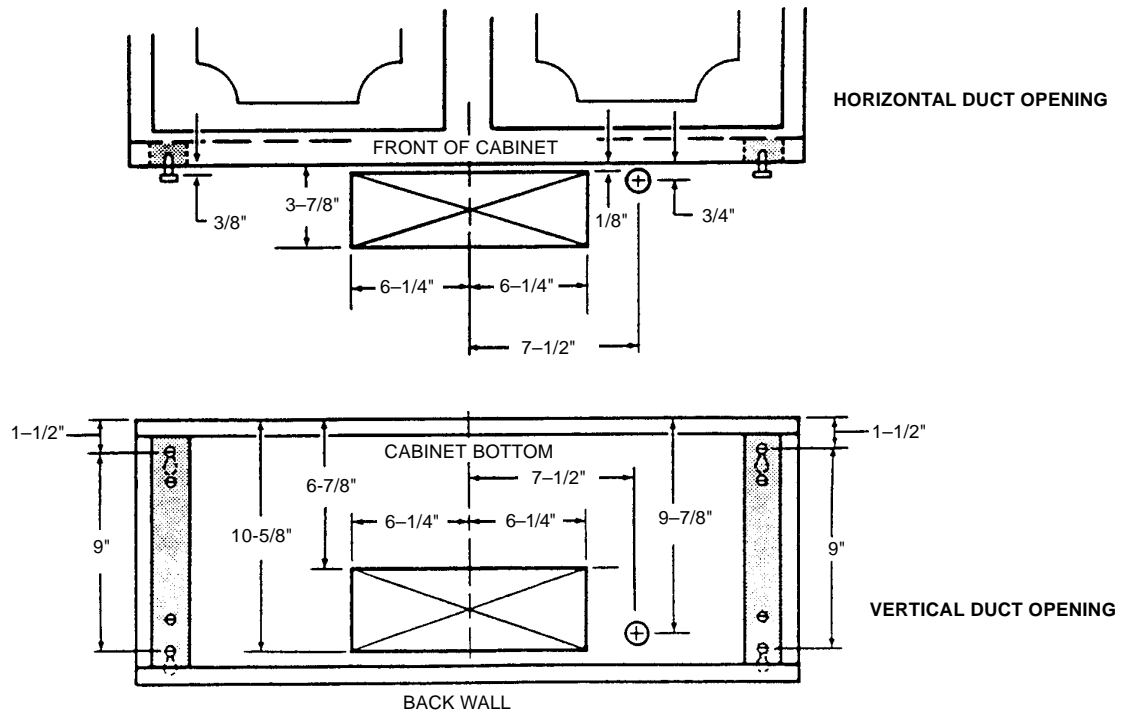


FIG. 5



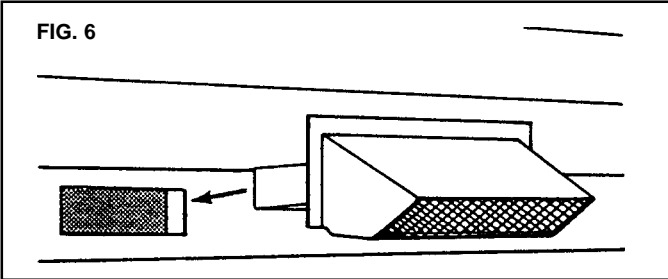
INSTALL THE DUCTWORK

For Ducted Installations Only:

NOTE

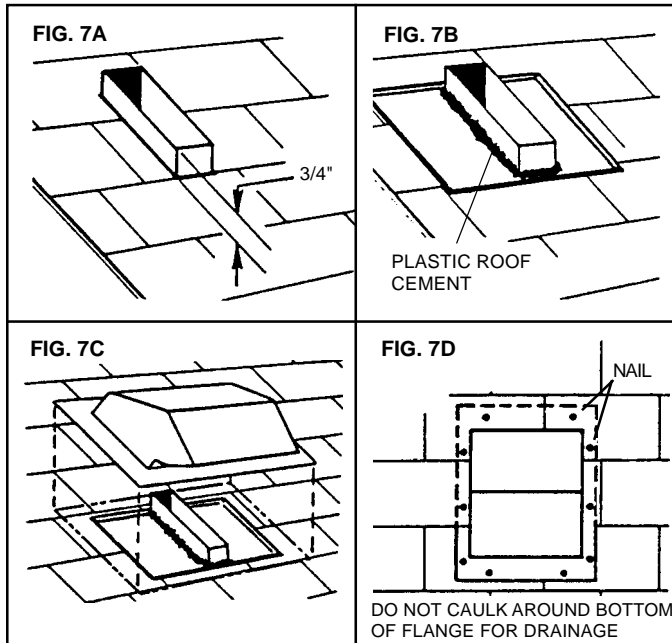
THESE INSTRUCTIONS WILL FOLLOW THE PLANS MADE ON PAGE 2. START ON THE OUTSIDE AND WORK BACK TOWARD HOOD. FOLLOW APPROPRIATE DIRECTIONS FOR TYPE OF DUCT SYSTEM YOU ARE INSTALLING.

FIG. 6



WALL CAPS (FIG. 6)

Use a saber saw to cut a hole slightly larger than duct so duct will line up easily with hood. Install casing strips on outside walls finished in siding. Assemble the ductwork and tape all joints. Run ductwork back to hood. Fasten wall cap to last section of duct and nail or screw cap to wall. Seal all around flange on wall cap with caulking compound. Make sure that enough duct runs into the room so that the duct will overlap the damper/duct connector by 3/4" when the hood is installed.



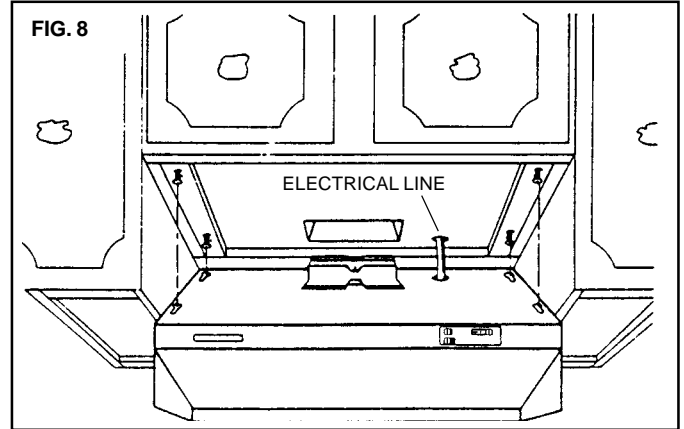
ROOF CAPS (FIGS. 7A - 7D)

Cut hole in roof slightly larger than duct so duct will line up easily with hood. Trim shingles around hole so that they will fit snugly around hood of cap when cap is installed. Assemble the ductwork and tape all joints. Run the ductwork down to hood. Trim duct parallel to roof pitch, leaving 3/4" of duct projecting above roof (FIG. 7A). Seal all around duct with roof cement. (FIG. 7B) Install roof cap, inserting back edge of cap under shingles. (FIG. 7C) Seal around roof cap with roof cement and seal all nail heads and shingles which were cut or lifted. (FIG. 7D)

Make sure that enough duct runs into the room so that the duct will overlap the damper/duct connector by 3/4" when the hood is put into place.

INSTALL HOOD

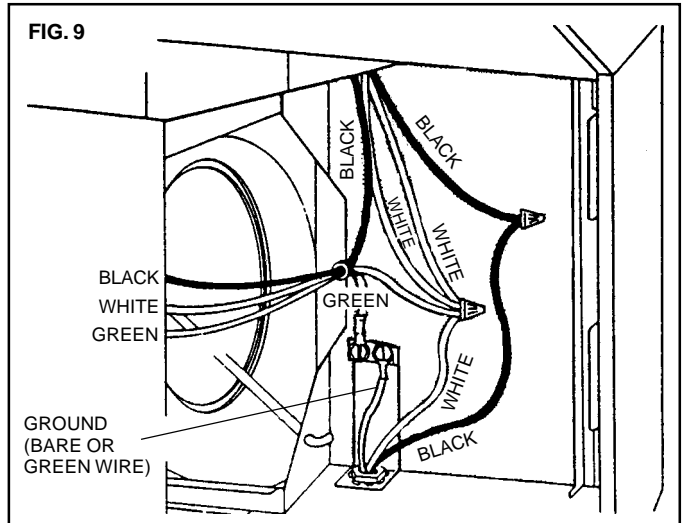
1. Position hood so that: (FIG. 8)



- a.) electrical wiring runs through opening in top or back of hood.
- b.) large part of keyhole slots fit over hood mounting screws

For Ducted Installations Only:

- c.) damper/duct connector slides into ductwork.
2. Push hood back so that mounting screws slide into narrow end of keyhole slots. When mounting larger hoods, run (2) screws through the 1/4" dia. holes (in hood top and 8" each side of center) and into the cabinet bottom or added filler strips. Tighten all screws firmly.
 3. Install locknut on electrical connector and tighten securely.
 4. Make electrical connections. Connect white to white, black to black, and green or bare wire to green ground screw. (FIG. 9)

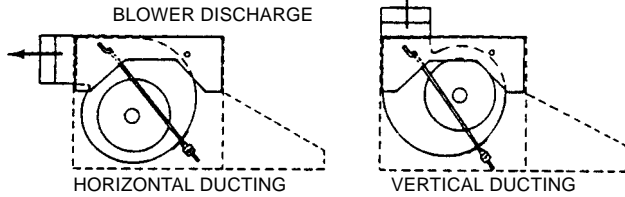


5. Replace wiring box cover and screws. Make sure that wires are not pinched between cover and hood.
6. Install two 75 watt max. bulbs, or one 75 watt bulb and one 25 watt bulb for night-light use. Install 25 watt bulb in right-hand socket.

INSTALL HOOD (Continued)

For Ducted Installations Only:

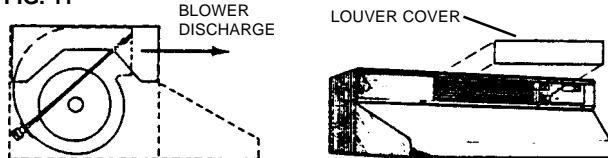
FIG. 10



7. Reinstall blower. **Do not grasp blower by blower wheels.** Position blower so that blower discharge lines up with damper/duct connector and slip rods into mounting brackets on blower assembly. (FIG. 10) Tighten knurled nuts securely, and plug in blower.

For Ductfree Installations Only:

FIG. 11

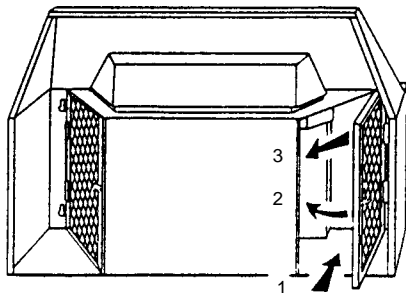


7. Reinstall blower. **Do not grasp blower by blower wheels.** Move blower mounting rods to front holes in hood support channels. (FIG. 11) Position blower so that blower discharge lines up with louvered opening on hood front. Slip rods into mounting brackets and tighten knurled nuts securely. Plug in blower. Remove louver cover on control panel. Pry cover off with screwdriver or knife.

8. Reinstall bottom cover and screws. See FIG. 2.

For Ducted Installations Only:

FIG. 12



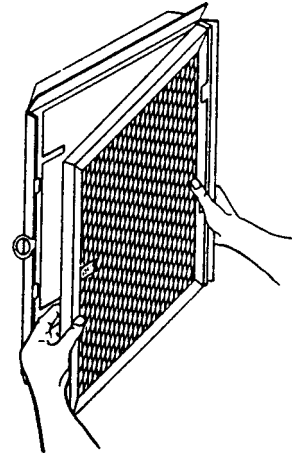
9. Reinstall aluminum filters. Make sure tabs are toward outside and bottom. (FIG. 12)

INSTALL HOOD (Continued)

For Ductfree Installations Only:

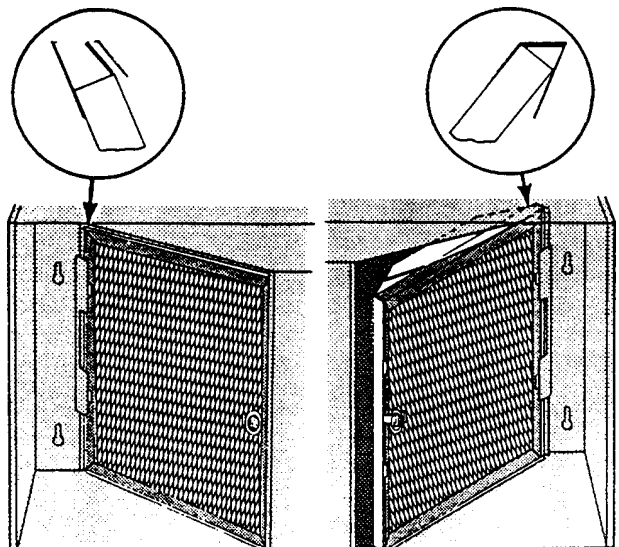
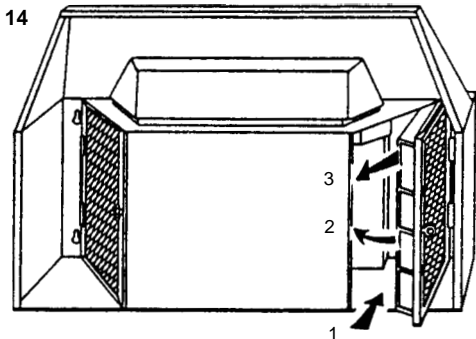
9. Snap aluminum filter onto front of replacement filter. (FIG. 13) Make sure that tab on aluminum filter lines up with finger pull on replacement filter.

FIG. 13



Push filter assembly into hood. Flaps on filter will flex against top and sides of opening. (FIG. 14) Push assembly up until bottom of assembly clears lip on bottom cover. Insert bottom of filter and pull assembly down, collapsing pull ring against aluminum filters.

FIG. 14

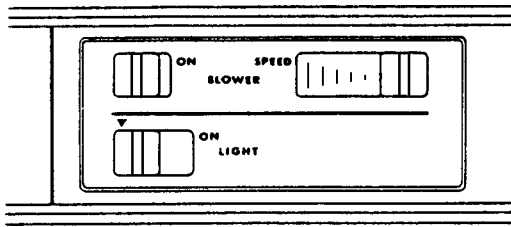


10. Turn on power and check operation of hood.

USE AND CARE

CONTROLS (FIG. 15)

FIG. 15



BLOWER - "SPEED"

Infinite speed slide control adjusts blower speed and sound level for quiet operation

BLOWER - "ON"

Turns blower ON and OFF.

When this control is turned ON, blower will operate at preset speed of slide control.

LIGHT

Three-position switch

- First position (Normal) - Turns both bulbs ON.
- Second position (Night Light) - Turns right-side bulb ON.
- Third position (OFF) - Turns both bulbs OFF.

DO NOT install bulbs rated higher than 75 watts.

Install a smaller bulb on the right for a night light.

HEAT SENTRY™

Your hood is equipped with a Heat Sentry™ thermostat. This thermostat is a device that will turn on or speed up the blower if it senses excessive heat above the cooking surface.

- 1) If blower is OFF - it turns blower ON to HIGH speed.
- 2) If blower is ON at a lower speed setting - it turns blower up to HIGH speed.

When the temperature level drops to normal, the blower will return to its original setting.

FILTER CARE

Remove each filter by grasping the tab at the bottom of filter, lifting up and swinging filter out to the side.

ALUMINUM FILTERS

Clean filters frequently in a detergent solution. They are dishwasher safe.

REPLACEMENT FILTERS

The aluminum filter is the only washable part of the filter system. Snap it out of its frame and clean it in a detergent solution or dishwasher.

The particle filter is not washable. It should last up to twelve months with normal use.

CLEANING

Do not allow an excessive accumulation of grease. Use a mild detergent suitable for painted surfaces. DO NOT USE ABRASIVE CLOTH, STEEL WOOL PADS, OR SCOURING POWDERS. Vacuum blower to clean. Do not immerse blower in water.

USE AND CARE (Continued)

HOW TO AVOID A COMMON RANGE-TOP GREASE FIRE

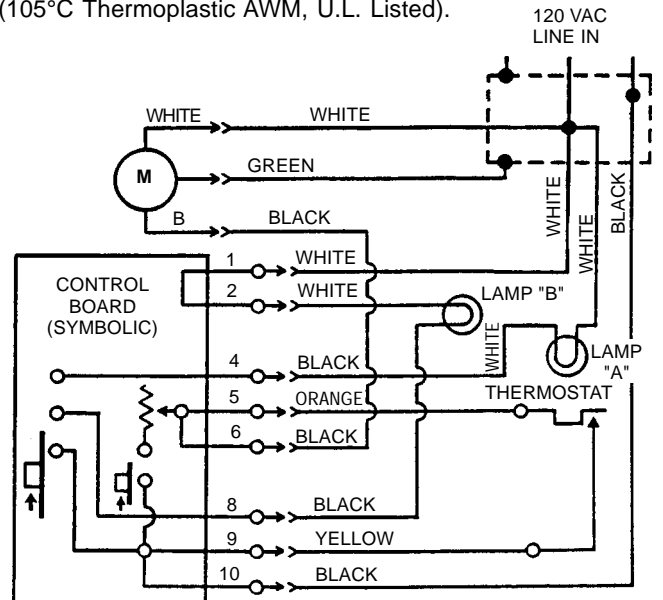
- Your range hood provides a protective barrier between the cooking surface and the cabinets.
- Keep fan, filters and grease laden surfaces CLEAN according to instructions.
- Always turn hood ON when cooking at high heat to keep the cooking area and the hood cooler.
- Use high heat settings only when necessary.
- Never leave cooking surface unattended. Boil-over causes smoking and greasy spillovers that may ignite.
- Always use adequate-sized utensils.
- If preparing flaming foods, such as Cherries Jubilee, always turn hood ON to HIGH to prevent a high heat situation which can cause damage or fire.

HOW TO EXTINGUISH A COMMON RANGE-TOP GREASE FIRE

- Never pick up a flaming pan. If dropped, flames can spread quickly.
- DO NOT USE WATER! A violent steam explosion may result. Wet dishcloths or towels are also dangerous.
- Smother flames with a close fitting lid, cookie sheet or metal tray.
- Flaming grease can also be extinguished with baking soda or a multi-purpose dry chemical extinguisher.
- Turn off surface units - If you can do so without getting burned.

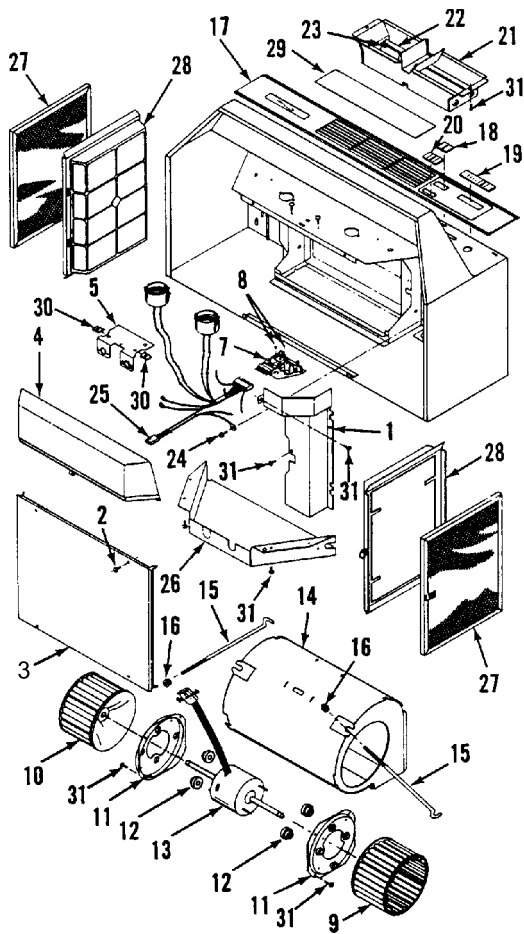
WIRING DIAGRAM

NOTE: If any of the original wire on the hood has to be replaced, use wire having equivalent insulation and temperature rating (105°C Thermoplastic AWM, U.L. Listed).



Frigidaire

SERVICE PARTS HC88 SERIES RANGE HOOD



NO.	PART NO.	DESCRIPTION
1	5303307763	Wiring Box Cover
2	-----	#8-18 x 3/8 Phillips Truss head Screws (4 req.)*
3	5303307764	Bottom Cover
4	5303307765	Light Lens
5	5303307766	Thermostat Assembly
7	5303307770	Control Board Assembly
8	-----	#6B-20 Phillips Flat Head Screws (2 req.)*
9	5303282000	Blower Wheel, Clockwise
10	5303281992	Blower Wheel, Counterclockwise
11	5303281993	Motor Retaining Ring
12	5303307771	Rubber Motor Mount (4 Req.)
13	5303307772	Motor
14	5303281999	Blower Scroll Housing
15	5303281998	Blower Mounting Rod
16	5303281997	Blower Mounting Rod Nut
17	5303307773	Control Panel (30" Wide Hood) (Includes Key No. 29)
18	5303307774	Control Panel (36" Wide Hood) (Includes Key No. 29)
19	5303307775	Blower Knob
20	5303307776	Speed Control Knob
21	5303281951	Light Switch Knob
22	5303281952	Damper Assembly (Includes Key Nos. 22 & 23)
23	5303281953	Damper Flap
24	-----	Damper Bushing
25	5303307777	#10-32 x 1/2 Green Ground Screw*
26	5303307778	Wire Harness
27	5303307779	Bulb Holder Cover
28	5303307780	Aluminum Filter Kit (contains 2 filters)
29	5303307781 Black 5303307782 White	Filter Kit (contains 2 filters)
30	5303281958	Louver Cover
31	-----	Sheet Metal Nuts "U" Type (2 req.)
**	-----	#8B x 3/8 Hex Head Sheet Metal Screws (13 req.)*
		Blower Assembly Complete (Includes Key Nos. 9-14, 31)

* Standard Hardware. May be purchased locally

**Not Illustrated.



LIMITED WARRANTY

Your range hood is protected by this warranty

	WARRANTY PERIOD	THROUGH OUR AUTHORIZED SERVICERS WE WILL:	THE CONSUMER WILL BE RESPONSIBLE FOR:
FULL ONE-YEAR WARRANTY	One year from original purchase date.	Pay all costs for repairing or replacing any parts of this appliance which prove to be defective in materials or workmanship.	Costs of service calls that are listed under NORMAL RESPONSIBILITIES OF THE CONSUMER.*
LIMITED WARRANTY (Applicable to the State of Alaska)	Time period listed above.	All of the provisions of the full and limited warranties above and the exclusions listed below apply.	Costs of the technician's travel to the home and any costs for pick up and delivery of the appliance required because of service.

In the U.S.A., your appliance is warranted by Electrolux Home Products, Inc. In Canada, your appliance is warranted by Electrolux Canada Corp. We authorize no person to change or to add to any of our obligations under this warranty. Our obligations for service and parts under this warrant must be performed by us or an authorized servicer.

* NORMAL RESPONSIBILITIES OF THE CONSUMER

This warranty applies only to products in ordinary household use, and the consumer is responsible for the items listed below:

1. Proper use of the appliance in accordance with instructions provided with the product.
2. Proper installation by an authorized servicer in accordance with instructions provided with the appliance and in accordance with all local plumbing, electrical and/or gas codes.
3. Proper connection to a grounded power supply of sufficient voltage, replacement of blown fuses, repair of loose connections or defects in house wiring.
4. Expenses for making the appliance accessible for servicing, such as removal of trim, cupboards, shelves, etc., which are not a part of the appliance when it was shipped from the factory.
5. Damages to finish after installation.
6. Replacement of light bulbs and/or fluorescent tubes (on models with these features).

EXCLUSIONS

This warranty does not cover the following:

1. CONSEQUENTIAL OR INCIDENTAL DAMAGES SUCH AS PROPERTY DAMAGE AND INCIDENTAL EXPENSES RESULTING FROM ANY BREACH OF THIS WRITTEN OR ANY IMPLIED WARRANTY.
Note: Some states do not allow the exclusion or limitation of incidental or consequential damages, so this limitation or exclusion may not apply to you.
2. Service calls which do not involve malfunction or defects in workmanship or material, or for appliances not in ordinary household use. The consumer shall pay for such service calls.
3. Damages caused by services performed by servicers other than Electrolux Home Products, Inc., Electrolux Canada Corp., or their authorized servicers; use of parts other than genuine Electrolux parts; obtained from persons other than such servicers; or external causes such as abuse, misuse, inadequate power supply or acts of God.
4. Products with original serial numbers that have been removed or altered and cannot be readily determined.

IF YOU NEED SERVICE

Keep your bill of sale, delivery slip, or some other appropriate payment record. The date on the bill establishes the warranty period should service be required. If service is performed, it is in your best interest to obtain and keep all receipts. This written warranty gives you specific legal rights. You may also have other rights that vary from state to state. Service under this warranty must be obtained by contacting Electrolux Home Products, Inc. or Electrolux Canada Corp.

This warranty only applies in the 50 states of the U.S.A., Puerto Rico and Canada. Product features or specifications as described or illustrated are subject to change without notice. All warranties are made by Electrolux Home Products, Inc., or Electrolux Canada Corp.

USA
1-800-944-9044
Electrolux Major Appliances North America
a division of Electrolux Home Products, Inc.
P.O. Box 212378
Augusta, GA 30917

Canada
1-800-265-8352 (English or French)
Electrolux Canada Corp.
5855 Terry Fox Way
Mississauga, Ontario, Canada
L5V 3E4