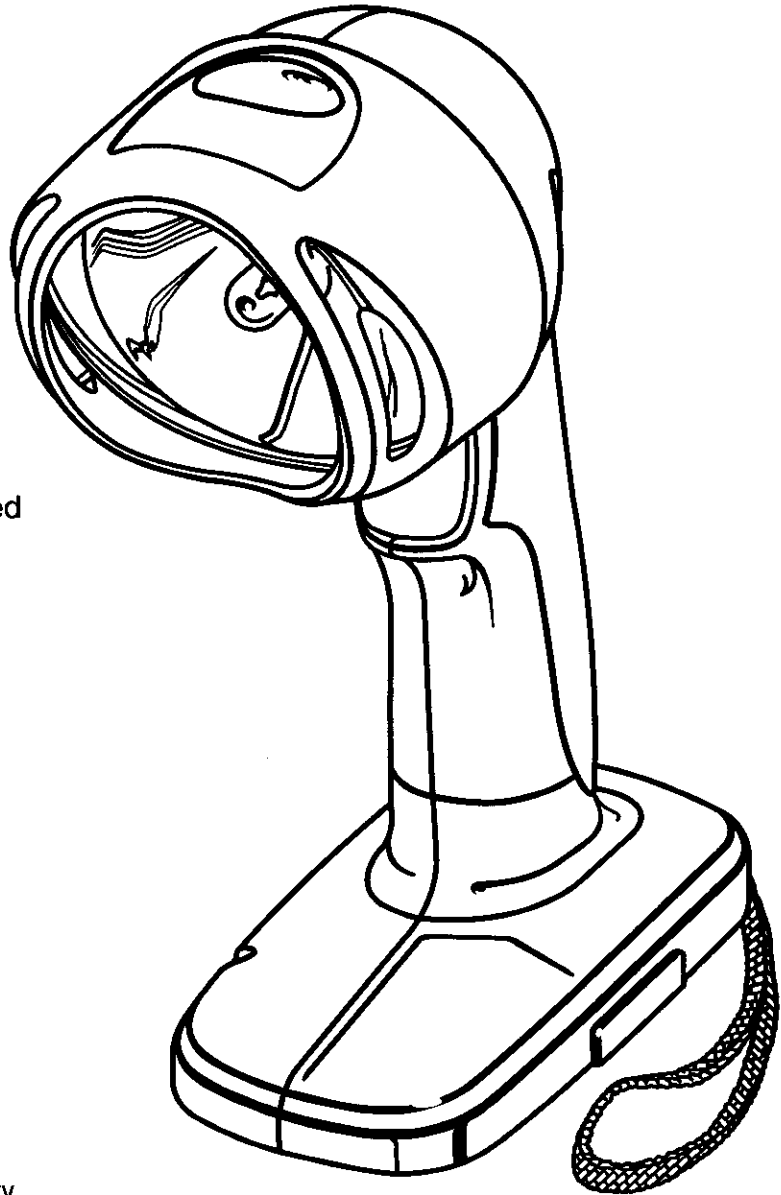


# Operator's Manual



## 19.2 VOLT CORDLESS WORKLIGHT

Model No.  
973.110470



Use worklight only with recommended  
Craftsman battery pack and charger  
(both sold separately)

Save this manual for  
future reference

**⚠ CAUTION:** Read and follow all Safety  
Rules and Operating Instructions before  
first use of this product.

Customer Help Line: 1-800-932-3188

- Safety
- Operation
- Maintenance

Sears, Roebuck and Co., 3333 Beverly Rd., Hoffman Estates, IL 60179 USA  
Visit the Craftsman web page: [www.sears.com/craftsman](http://www.sears.com/craftsman)

# INTRODUCTION

**⚠ CAUTION:** Carefully read through this entire operator's manual before using your new worklight. Pay close attention to the Rules For Safe Operation, Warnings and Cautions. Safety, performance and dependability have been given top priority in the design of this worklight making it easy to maintain and operate. If you use your worklight properly and only for its intended use, you will enjoy years of safe, reliable service.

## SAFETY AND INTERNATIONAL SYMBOLS

This operator's manual describes safety and international symbols and pictographs that may appear on this product. Read the operator's manual for complete safety, assembly, operating and maintenance, and repair information.



### MEANING

Do not expose to rain or use in damp locations.

## RULES FOR SAFE OPERATION

### READ ALL INSTRUCTIONS

- **KNOW YOUR WORKLIGHT.** Read operator's manual carefully. Learn its applications and limitations as well as the specific potential hazards related to this light.
- **USE ONLY RECOMMENDED BATTERY PACK WITH YOUR WORKLIGHT.** Any attempt to use another battery pack will cause damage to your worklight and could possibly explode, cause a fire, or personal injury.
- **REMOVE BATTERY PACK FROM WORKLIGHT BEFORE REPLACING BULB OR PERFORMING ANY ROUTINE MAINTENANCE OR CLEANING.**
- **DO NOT DISASSEMBLE YOUR WORKLIGHT.**
- **DO NOT PLACE WORKLIGHT OR BATTERY PACK NEAR FIRE OR HEAT.** They may explode. Also, **DO NOT** dispose of a worn out battery pack by incinerating. Do not incinerate the battery, even if it is severely damaged or completely worn out. The battery may explode in fire.
- **DO NOT STORE YOUR WORKLIGHT IN A DAMP OR WET LOCATION. DO NOT STORE IN LOCATIONS WHERE THE TEMPERATURE IS LESS THAN 50°F OR MORE THAN 100°F.** Do not store in outside sheds or in vehicles.
- **DO NOT PERMIT CHILDREN TO USE WORKLIGHT UNSUPERVISED.** It is not a toy. The temperature of the bulb will become hot after being on for only a short period of time. This hot temperature can cause burn injury if touched and can create sufficient heat to melt some fabrics.

**⚠ WARNING:** If wrapped or in contact with fabrics, the worklight lens can produce sufficient heat to melt some fabrics. To avoid serious personal injury, never allow the worklight lens to come in contact with anything.

- **KEEP WORK AREA CLEAN.** Cluttered areas and benches invite accidents.
- **AVOID DANGEROUS ENVIRONMENT.**
- **KEEP LIGHT DRY, CLEAN, AND FREE FROM OIL AND GREASE.** Always use a clean cloth when cleaning. Never use brake fluids, gasoline, petroleum-based products or any strong solvent to clean your worklight.
- **STAY ALERT.** Watch what you are doing and use common sense. Do not rush.
- **CHECK DAMAGED PARTS.** Before further use of this worklight, a part that is damaged should be carefully checked to determine that it will operate properly and perform its intended function. Do not use worklight if it does not function properly.

## RULES FOR SAFE OPERATION (Continued)

### SAFETY RULES FOR WORKLIGHTS

**⚠ WARNING:** Do not operate worklight or charger near flammable liquids or in gaseous or explosive atmospheres. Internal sparks may ignite fumes.

**⚠ WARNING:** Lens and bulb become hot during use:

- During or immediately after use, don't lay worklight flat on lens surface or place lens area in contact with a plastic or fabric covered surface.
- Handle worklight with care around any flammable surface.
- Let worklight cool for several minutes after use before changing bulb.
- Do not use or permit use of worklight in bed or sleeping bags. This worklight lens can melt fabric and a burn injury could result.

### IMPORTANT SAFETY RULES FOR BATTERY TOOLS

- **USE ONLY THE CHARGER RECOMMENDED FOR USE WITH YOUR WORKLIGHT.** Do not substitute any other charger. Use of another charger could cause batteries to explode causing possible serious injury.
- Your battery tool should be charged in a location where the temperature is more than 50°F but less than 100°F.
- Under extreme usage or temperature conditions, battery leakage may occur. If liquid comes in contact with your skin, wash immediately with soap and water, then neutralize with lemon juice or vinegar. If liquid gets in your eyes, flush them with clean water for at least 10 minutes, then seek immediate medical attention.

**⚠ WARNING:** Batteries vent hydrogen gas and can explode in the presence of a source of ignition, such as a pilot light. To reduce the risk of serious personal injury, never use any cordless product in the presence of open flame. An exploded battery can propel debris and chemicals. If exposed, flush with water immediately.

**⚠ WARNING:** Never use a battery pack that has been damaged or received a sharp blow. A damaged battery pack is subject to explosion. Properly dispose of a damaged battery pack immediately. Failure to heed this warning can result in serious personal injury.

- **WHEN SERVICING USE ONLY IDENTICAL CRAFTSMAN REPLACEMENT PARTS.**

## IMPORTANT SAFETY INSTRUCTIONS FOR CHARGER

- Before using battery charger, read all instructions and cautionary markings in this manual, on battery charger, and product using battery charger.

**⚠ CAUTION:** To reduce the risk of injury, charge only nickel-cadmium type rechargeable batteries. Other types of batteries may burst causing personal injury and damage.

- Do not expose to wet or damp conditions.
- To reduce the risk of damage to charger body and cord, pull by charger plug rather than cord when disconnecting charger.
- An extension cord should not be used unless absolutely necessary. Use of improper extension cord could result in a risk of fire and electric shock. If extension cord must be used, make sure:
  - a. That pins on plug of extension cord are the same number, size and shape as those of plug on charger.
  - b. That extension cord is properly wired and in good electrical condition; and
  - c. That wire size is large enough for AC ampere rating of charger as specified below:

Cord Length (Feet) · 25'    50'    100'

Cord Size (AWG)    16    16    16

**Note:** AWG = American Wire Gage

- **DO NOT OPERATE CHARGER WITH A DAMAGED CORD OR PLUG.** If damaged, have replaced immediately by a qualified serviceman.
- Do not operate charger if it has received a sharp blow, been dropped, or otherwise damaged in any way; take it to a qualified serviceman.
- Do not disassemble charger; take it to a qualified serviceman when service or repair is required. Incorrect reassembly may result in a risk of electric shock or fire.
- To reduce the risk of electric shock, unplug charger from outlet before attempting any maintenance or cleaning. Turning off controls will not reduce this risk.
- Do not use charger in wet or damp conditions.
- Disconnect charger from power supply when not in use.
- **SAVE THESE INSTRUCTIONS.** Review them frequently and use them to instruct others who may use this light. If you loan someone this light, loan them these instructions also.

**SAVE THESE INSTRUCTIONS**

# OPERATION

## BATTERY PACK/CHARGER

The battery pack and charger are not included with your worklight. They are both sold separately. When purchasing, use the following information:

MODEL NO.	BATTERY PACK	CHARGER
973.110470	Item No. 9 11375 (1310715)	Item No. 9 11041 (1425301)

## BATTERY PACK

The battery pack for your worklight has been shipped in a low charge condition to prevent possible problems. Therefore, you should charge it until light on front of charger changes from red to green.

**Note:** Batteries will not reach full charge the first time they are charged. Allow several cycles (operating worklight followed by recharging) for batteries to become fully charged.

## CHARGING BATTERY PACK

See Figure 1.

- Use only the recommended battery pack and charger with your worklight.
- **Make sure power supply is normal household voltage, 120 volts, 60 Hz, AC only.**
- Connect charger to power supply.
- Place battery pack in charger aligning raised rib on battery pack with groove in charger. See Figure 1.
- Press down on battery pack to be sure contacts on battery pack engage properly with contacts in charger.
- Normally, the red LED on charger will come on. This indicates charger is in fast charging mode.
- Red LED should remain on for approximately 1 hour then the green LED will come on. Green LED on indicates battery pack is fully charged and charger is in trickle charge mode. **Note:** Green LED will remain on until battery pack is removed from charger or charger is disconnected from power supply.

- If both yellow and green LED come on, this indicates a deeply discharged or defective battery pack. Allow battery pack to remain in charger for 15 to 30 minutes. When battery pack reaches normal voltage range, red LED should come on.

If red LED does not come on after 30 minutes, this indicates a defective battery pack and should be replaced.

- After normal usage, a minimum of 1 hour of charging time is required to fully recharge battery pack.
- The battery pack will become slightly warm to the touch while charging. This is normal and does not indicate a problem.
- **Do not** place charger and battery pack in an area of extreme heat or cold. It will work best at normal room temperature.

**Note:** Charger and battery pack should be placed in a location where the temperature is more than 50°F but less than 100°F.

- When batteries become fully charged, unplug charger from power supply and remove the battery pack.

## IMPORTANT INFORMATION FOR RECHARGING HOT BATTERY PACK

When using your worklight continuously, the batteries in your battery pack will become hot. You should let a hot battery pack cool down for approximately 30 minutes before attempting to recharge. When the battery pack becomes discharged and is hot, this will cause the green LED to come on instead of the red LED. After 30 minutes, reinsert battery pack in charger. If green LED continues to remain on, return battery pack to your nearest Sears Repair Center for checking or replacing.

**Note:** This situation only occurs when continuous use of your worklight causes the batteries to become hot. It does not occur under normal circumstances. Refer to "CHARGING BATTERY PACK" for normal recharging of batteries. If the charger does not charge your battery pack under normal circumstances, return **both** the battery pack and charger to your nearest Sears Repair Center for electrical check.

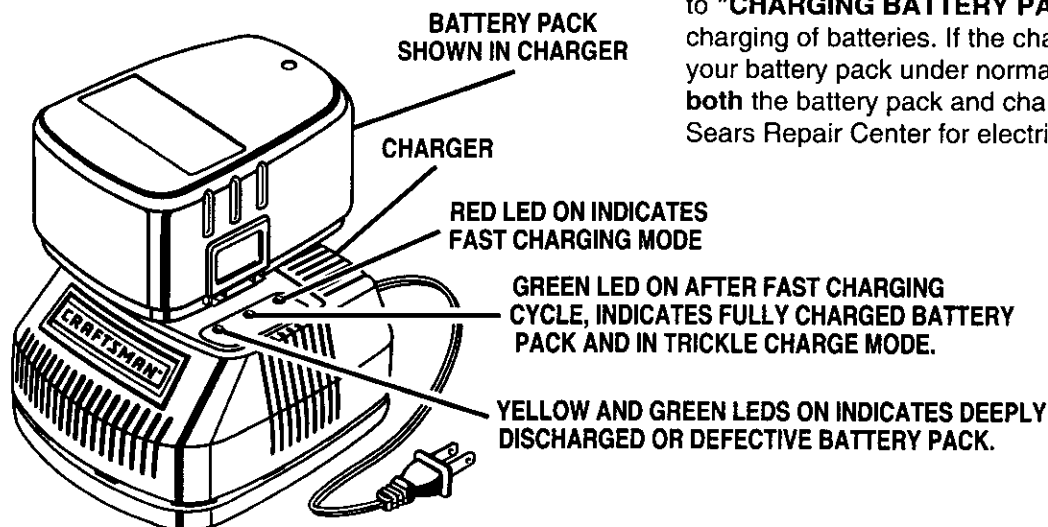


Fig. 1

# OPERATION

## LED FUNCTIONS OF CHARGER LED WILL BE ON TO INDICATE STATUS OF CHARGER AND BATTERY PACK:

- Red LED on = Fast charging mode.
- Green LED on = Fully charged and in trickle charge mode.
- Green LED on = When battery pack is inserted into charger, indicates hot battery pack or that battery pack is out of or below normal temperature range.
- Yellow and Green LEDs on = Deeply discharged or defective battery pack.
- No LED on = Defective charger or battery pack.

**CAUTION:** To prevent damage to battery pack, remove battery pack from charger immediately if no LED comes on. Return battery pack and charger to your nearest Sears Service Center for checking or replacing. Also, if you are removing battery pack from charger and no LEDs are on, return both battery pack and charger to your nearest Sears Service Center. Do not insert another battery pack into charger. A damaged charger may damage a battery pack.

## TO INSTALL/REMOVE BATTERY PACK

See Figure 2.

- Use only the recommended battery pack with your worklight.
- WARNING:** Do not install battery pack to your worklight until you have read and understood all precautions and operating instructions in the manual and printed on battery pack and charger.

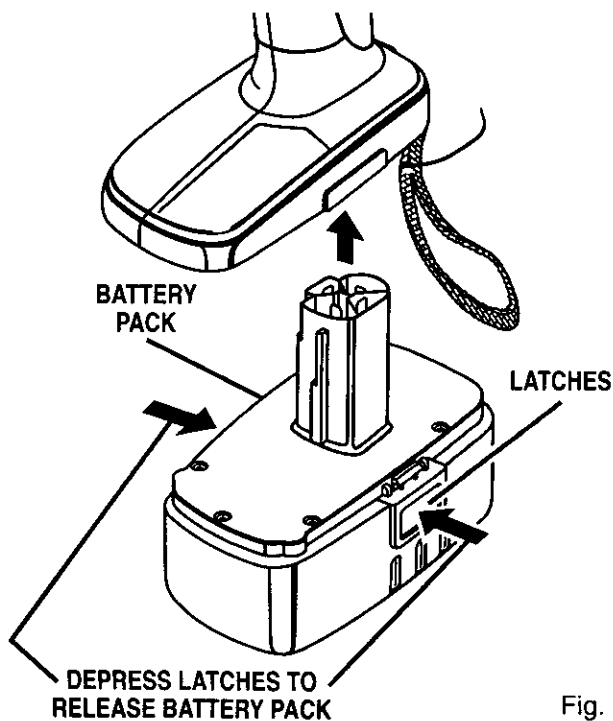


Fig. 2

- Orient battery pack so that raised rib on battery pack aligns with groove inside worklight. Battery pack is designed to fit only one way in worklight handle.
  - Insert battery pack, making sure latches on each side of battery pack snap into place and battery pack is secure in worklight before use.
- CAUTION:** When placing battery pack in your worklight, be sure raised rib on battery pack aligns with groove inside worklight handle and latches snap into place properly. Improper assembly of battery pack can cause damage to internal components.
- To remove battery pack, locate latches on end of battery pack and depress to release battery pack from your worklight.

## SWITCH

See Figure 3.

To turn your worklight on and off, depress switch trigger.

## MULTI-POSITION HEAD

See Figure 3.

Your worklight has the feature of a multi-position head that has positive stop clicks at each position. Rotate head to the desired position as shown in the arrows in Figure 3.

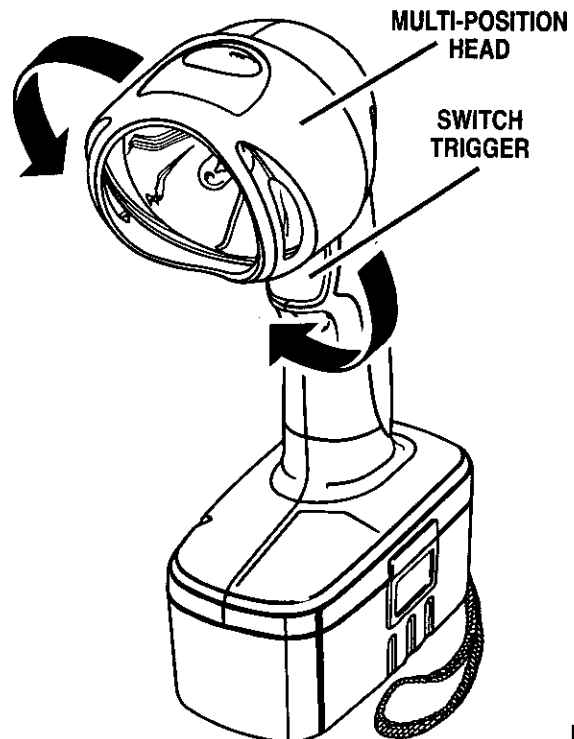


Fig. 3

## MAINTENANCE

**⚠ WARNING:** When servicing, use only identical Craftsman replacement parts. Use of any other part may create a hazard or cause product damage.

**⚠ WARNING:** Do not at any time let brake fluids, gasoline, petroleum-based products, penetrating oils, etc. come in contact with plastic parts. They contain chemicals that can damage, weaken or destroy plastic.

Do not abuse power tools. Abusive practices can damage tool as well as workpiece.

**⚠ WARNING:** Do not attempt to modify this worklight or create accessories not recommended for use with this worklight. Any such alteration or modification is misuse and could result in a hazardous condition leading to possible serious personal injury.

### BULB REPLACEMENT

See Figure 4.

When purchasing replacement bulb, request recommended part number 7811502. See Figure 4.

#### TO REPLACE BULB:

- Remove battery pack from worklight. See Page 5.
- Depress button located on top of lens cover then pull lens cover forward to remove.
- Remove old bulb from spring by twisting bulb in a clockwise direction.

- Insert new bulb in spring by twisting bulb in a clockwise direction.
- Replace lens cover aligning tabs inside lens cover with slots on housing then snap into place.
- Replace battery pack.

**Note:** For your convenience, your worklight has a bulb storage area to store an extra bulb. See Figure 4.

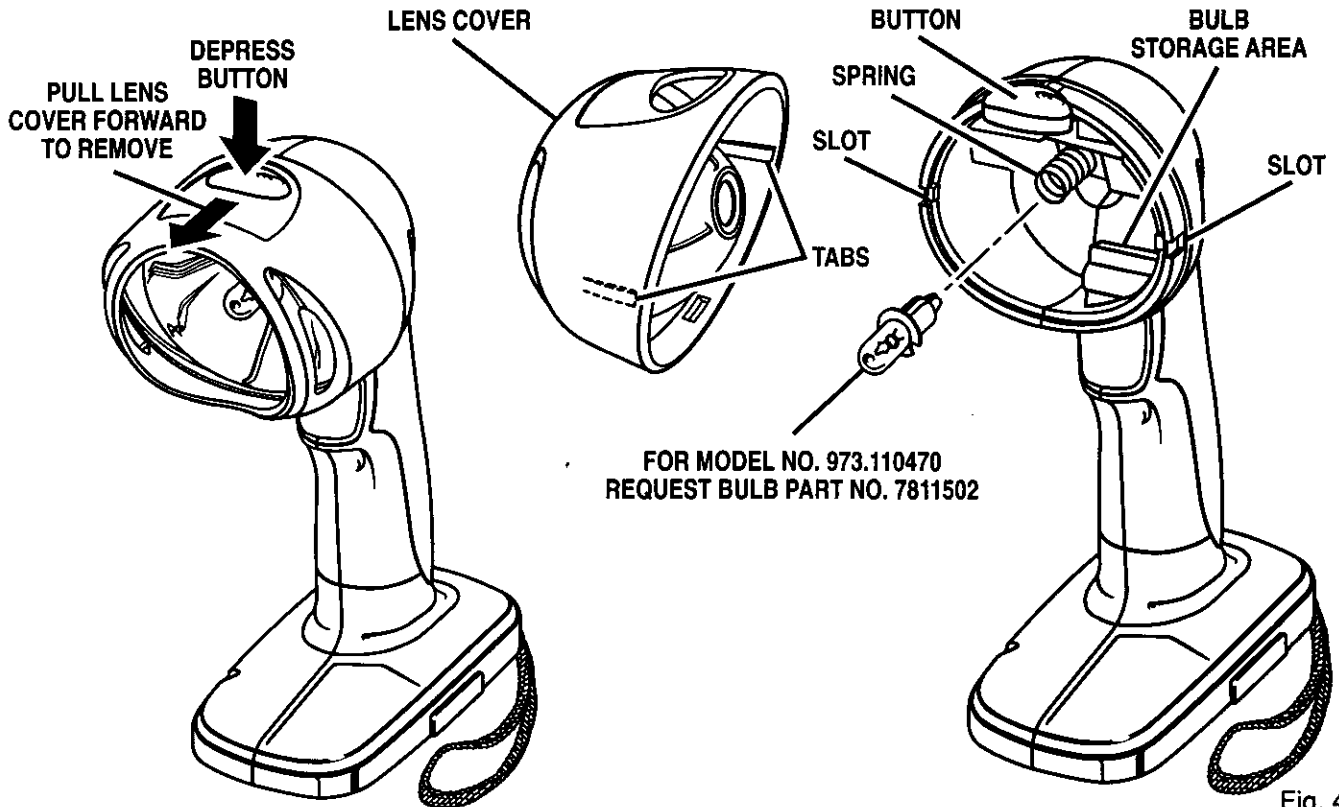


Fig. 4

## MAINTENANCE

### BATTERIES

Your worklight's battery pack is equipped with nickel-cadmium rechargeable batteries. Length of service from each charging will depend on the type of work you are doing.

The batteries in this worklight have been designed to provide maximum trouble free life. However, like all batteries, they will eventually wear out. **Do not** disassemble battery pack and attempt to replace the batteries. Handling of these batteries, especially when wearing rings and jewelry, could result in a serious burn.

To obtain the longest possible battery life, we suggest the following:

- Store and charge your batteries in a cool area. Temperatures above or below normal room temperature will shorten battery life.
- Never store batteries in a discharged condition. Recharge them immediately after they are discharged.
- All batteries gradually lose their charge. The higher the temperature the quicker they lose their charge. If you store your worklight for long periods of time without using it, recharge the batteries every month or two. This practice will prolong battery life.



To preserve natural resources, please recycle or dispose of batteries properly.

This product contains nickel-cadmium batteries. Local, state or federal laws may prohibit disposal of nickel-cadmium batteries in ordinary trash.

Consult your local waste authority for information regarding available recycling and/or disposal options.

### BATTERY PACK REMOVAL AND PREPARATION FOR RECYCLING

**WARNING:** Upon removal, cover the battery pack's terminals with heavy duty adhesive tape. Do not attempt to destroy or disassemble battery pack or remove any of its components. Nickel-cadmium batteries must be recycled or disposed of properly. Also, never touch both terminals with metal objects and/or body parts as short circuit may result. Keep away from children. Failure to comply with these warnings could result in fire and/or serious injury.

**WARNING:** Do not attempt to disassemble the battery pack. Fire or injury may result.

# Get it fixed, at your home or ours!

For repair of major brand appliances **in your own home...**  
no matter who made it, no matter who sold it!

**1-800-4-MY-HOME**<sup>SM</sup> Anytime, day or night  
(1-800-469-4663)

[www.sears.com](http://www.sears.com)

To bring in products such as vacuums, lawn equipment and electronics  
for repair, call for the location of your nearest **Sears Parts & Repair Center.**

**1-800-488-1222** Anytime, day or night

[www.sears.com](http://www.sears.com)

For the replacement parts, accessories and owner's manuals  
that you need to do-it-yourself, call **Sears PartsDirect**<sup>SM</sup>!

**1-800-366-PART** 6 a.m. – 11 p.m. CST,  
(1-800-366-7278) 7 days a week

[www.sears.com/partsdirect](http://www.sears.com/partsdirect)

To purchase or inquire about a Sears Service Agreement:

**1-800-827-6655**

7 a.m. – 5 p.m. CST, Mon. – Sat.

Para pedir servicio de reparación a domicilio,  
y para ordenar piezas con entrega a domicilio:

**1-888-SU-HOGAR**<sup>SM</sup>  
(1-888-784-6427)

Au Canada pour service en français:

**1-877-LE-FOYER**<sup>SM</sup>  
(1-877-533-6937)

**SEARS**  
HomeCentral<sup>SM</sup>



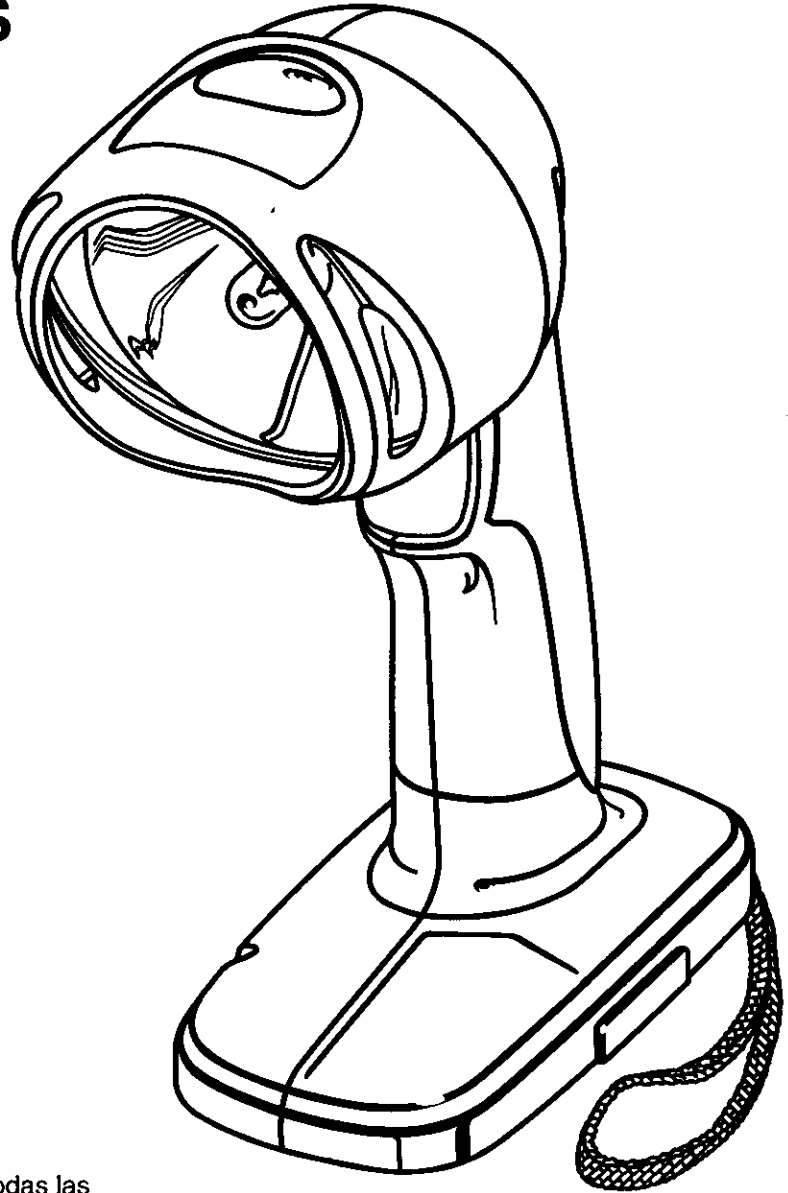
# Manual del Usuario

# CRAFTSMAN®

## LUZ DE TRABAJO A BATERIA DE 19,2 VOLTIOS

No. de Modelo  
973.110470

Usar la luz de trabajo con el  
cargador y bloque de baterías  
Craftsman recomendados  
(ambos vendidos separadamente)



Conserve este manual  
para referencia futura

**⚠ ATENCION:** Lea cuidadosamente todas las  
Reglas de Seguridad y las Instrucciones antes  
de usar esta herramienta.

No. de teléfono de ayuda a los clientes: 1-800-932-3188

Sears, Roebuck and Co., 3333 Beverly Rd., Hoffman Estates, IL 60179 USA  
Visite la página Web de Craftsman: [www.sears.com/craftsman](http://www.sears.com/craftsman)

983000-003  
2-02

- Seguridad
- Funcionamiento
- Mantenimiento

## INTRODUCCION

**⚠ ATENCION:** Lea cuidadosamente todo este manual antes de usar su nueva luz de trabajo. Preste mucha atención a las Reglas para Funcionamiento Seguro, así como a las Advertencias y Avisos. Se ha dado prioridad máxima a la seguridad, rendimiento y dependabilidad en el diseño de esta luz de trabajo por lo cual es fácil de mantener y operar. Si usted utiliza la luz de trabajo debidamente y solamente para el propósito que ha sido diseñada, usted disfrutará de muchos años de servicio seguro.

## SIMBOLOS DE SEGURIDAD E INTERNACIONALES

En este manual del usuario se describen los símbolos y pictogramas de seguridad e internacionales que puedan aparecer en este producto. Lea este manual para obtener información completa sobre seguridad, montaje, funcionamiento, mantenimiento y reparación.



### SIGNIFICADO

No exponga a la lluvia ni use en lugares húmedos.

## REGLAS PARA FUNCIONAMIENTO SEGURO

### LEA TODAS LAS INSTRUCCIONES

- **CONOZCA SU LUZ DE TRABAJO.** Lea atentamente el manual del usuario. Aprenda sus aplicaciones y limitaciones así como también los riesgos potenciales específicos relacionados con esta luz.
- **UTILICE SOLAMENTE EL BLOQUE DE BATERIAS RECOMENDADO CON SU LUZ DE TRABAJO.** Si intenta usar cualquier otro bloque de baterías puede dañar la luz de trabajo y posiblemente explotar, causar un incendio o una lesión personal.
- **RETIRE EL BLOQUE DE BATERIAS DE LA LUZ DE TRABAJO ANTES DE CAMBIAR EL FOCO O CUANDO REALICE EL MANTENIMIENTO O LIMPIEZA RUTINARIA.**
- **NO DESARME SU LUZ DE TRABAJO.**
- **NO COLOQUE LA LUZ DE TRABAJO O EL BLOQUE DE BATERIAS CERCA DEL FUEGO O DEL CALOR.** Pueden explotar. Además, **NO** descarte un bloque de baterías usado incinerándolo. No incinere la batería, aun si está severamente dañada o completamente agotada. La batería puede explotar en el fuego.
- **NO GUARDE SU LUZ DE TRABAJO EN UN LUGAR MOJADO O HUMEDO. IGUALMENTE, NO LA GUARDE EN LUGARES DONDE LA TEMPERATURA SEA INFERIOR A 50°F O SUPERIOR A 100°F.** No guarde en galpones al aire libre o en vehículos.
- **NO PERMITA QUE LOS NIÑOS UTILICEN LA LUZ DE TRABAJO SIN SER SUPERVISADOS.**

No es un juguete. La temperatura del foco es muy caliente aun cuando haya estado encendido por un periodo corto de tiempo. Esta temperatura caliente puede causar una quemadura si se toca el foco y puede crear suficiente calor como para derretir algunas telas.

- ⚠ **ADVERTENCIA:** Si el lente de la luz de trabajo es envuelto en tela o tiene contacto con alguna tela puede producir suficiente calor como para derretirla. A fin de evitar una lesión personal grave, nunca permita que el lente de la luz de trabajo entre en contacto con nada.
- **MANTENGA EL AREA DE TRABAJO LIMPIA.** Los lugares y bancos de trabajo desordenados invitan a los accidentes.
- **EVITE LOS AMBIENTES PELIGROSOS.**
- **MANTENGA LA LUZ SECA, LIMPIA Y SIN ACEITE NI GRASA.** Siempre utilice un paño limpio para efectuar la limpieza. Nunca use líquido de frenos, gasolina, productos a base de petróleo o solventes para limpiar su luz de trabajo.
- **MANTENGASE ALERTA.** Ponga atención a lo que está haciendo y use sentido común. No se apresure.
- **INSPECCIONE LAS PIEZAS DAÑADAS.** Antes de usar esta luz de trabajo, alguna pieza que esté dañada debe ser revisada cuidadosamente para determinar si funcionará en forma debida y si desempeñará la función para la cual fué diseñada. Una pieza que esté dañada debe ser reemplazada o reparada en forma apropiada.

REGLAS DE SEGURIDAD PARA LA LUZ DE TRABAJO

- ▲ **ADVERTENCIA:** No haga funcionar la luz de trabajo o el cargador cerca de líquidos inflamables o en ambientes gaseosos o explosivos. Las chispas internas pueden encender los vapores.
- ▲ **ADVERTENCIA:** El lente y el foco se calientan con el uso.
  - No deposite la luz de trabajo apoyándola en la superficie del lente durante el uso o inmediatamente después de usarla ni coloque el área del lente en contacto con una superficie de plástico o cubierta con tela.
  - Manipule la luz de trabajo con cuidado cuando se encuentre cerca de cualquier superficie inflamable.
  - Deje que la luz de trabajo se enfríe durante varios minutos después de usarla antes de cambiar el foco.
  - No permita que la luz de trabajo sea usada en la cama o en sacos de dormir. El lente de esta luz de trabajo puede derretir las telas y ocasionar una quemadura.

REGLAS DE SEGURIDAD IMPORTANTES PARA HERRAMIENTAS A BATERIA

- **USE SOLAMENTE EL CARGADOR QUE SE RECOMIENDA USAR CON LA LUZ DE TRABAJO.** No utilice ningún otro cargador. Si usa otro puede hacer explotar la batería causando alguna lesión seria.
- Su herramienta a batería debe ser cargada en un lugar donde la temperatura sea superior a 50°F (10°C) pero inferior a 100°F (37°C).
- Bajo condiciones de uso o temperatura extrema, puede ocurrir escape de líquido en la batería. Si el líquido entra en contacto con la piel, lávese inmediatamente con agua y jabón, luego neutralice con jugo de limón o vinagre. Si entra líquido a sus ojos, lávelos con agua limpia durante 10 minutos, luego busque atención médica inmediata.
- ▲ **ADVERTENCIA:** Las baterías emiten hidrógeno y pueden explotar en presencia de una fuente de ignición, tal como una luz piloto. A fin de reducir el riesgo de sufrir una lesión personal grave, nunca use ningún producto a batería en presencia de una llama abierta. Una batería que explote puede lanzar residuos y químicos. Si entra en contacto con tales materiales, lávese inmediatamente con agua la parte afectada.
- ▲ **ADVERTENCIA:** Nunca use un bloque de baterías que se haya caído o recibido un golpe fuerte. Un bloque de baterías dañado puede explotar. Descarte inmediatamente y de manera apropiada un bloque de baterías que esté dañado. El incumplimiento de esta advertencia puede causar una lesión personal grave.
- **CUANDO EFECTUE LABORES DE MANTENIMIENTO, USE SOLAMENTE REPUESTOS CRAFTSMAN AUTENTICOS.**

INSTRUCCIONES IMPORTANTES DE SEGURIDAD PARA EL CARGADOR

- Antes de usar el cargador de la batería, lea todas las instrucciones y advertencias indicadas en este manual, en el cargador de la batería y en el producto que usa el cargador.
- ▲ **ATENCIÓN:** Para reducir el riesgo de lesión, cargue solamente baterías recargables de níquel y cadmio. Otros tipos de baterías pueden explotar causando lesión personal y daño.
- No exponga el cargador a ambientes húmedos o mojados.
- Para reducir el riesgo de daño al cuerpo del cargador y al cordón, cuando desconecte el cargador tire del enchufe del cargador en vez que del cordón.
- No debe usarse un cordón de extensión a menos que sea absolutamente necesario. El uso de cordones de extensión inadecuados puede resultar en riesgo de incendio y de choque eléctrico. Si se debe usar un cordón de extensión, asegúrese de que:
  - a. Las clavijas del enchufe del cordón de extensión son iguales en número, tamaño y forma a las del cargador.
  - b. El cordón de extensión está debidamente cableado y en buen estado; y
  - c. El calibre del cable es suficiente para el amperaje nominal CA del cargador, según se especifica a continuación:
 

Largo del Cordón (Pies)	25	50	100
Calibre del Cordón (AWG)	16	16	16

**Nota:** AWG = American Wire Gage
- **NO HAGA FUNCIONAR EL CARGADOR SI EL CORDON O EL ENCHUFE ESTAN DAÑADOS.** Si están dañados, hágalos reemplazar inmediatamente por un electricista calificado.
- No haga funcionar el cargador si ha recibido un golpe fuerte, si se ha caído o si se ha dañado de alguna manera. Llévelo a un reparador calificado.
- No desarme el cargador; llévelo a un técnico calificado cuando necesite servicio o reparación. El rearmado incorrecto puede resultar en un riesgo de choque eléctrico o incendio.
- Para reducir el riesgo de choque eléctrico, desenchufe el cargador del tomacorriente antes de efectuar cualquier mantenimiento o limpieza. Al apagar los controles no se reducirá este riesgo.
- No use el cargador en lugares húmedos o mojados.
- Desconecte el cargador de la fuente de energía cuando no esté en uso.
- **CONSERVE ESTAS INSTRUCCIONES.** Consulte estas instrucciones frecuentemente y úselas para instruir a otros sobre el uso de esta luz. Si usted presta esta luz a otra persona entregue también las instrucciones.

**CONSERVE ESTAS INSTRUCCIONES**

## BLOQUE DE BATERIAS/CARGADOR

Con esta luz de trabajo no se incluye ni el bloque de baterías ni el cargador. Ambos se venden por separado. Cuando los compre, use la siguiente información:

MODELO NO.	BLOQUE DE BATERIAS	CARGADOR
973.110470	Art. No. 9 11375 (1310715)	Art. No. 9 11041 (1425301)

## BLOQUE DE BATERIAS

El bloque de baterías para esta la luz de trabajo ha sido enviado con carga baja para evitar posibles problemas. Por lo tanto usted debe cargarlo hasta que la luz situada en la parte delantera del cargador cambie de roja a verde.

**Nota:** Las baterías no alcanzan su carga total la primera vez que son cargadas. Deje que pasen varios ciclos (la luz de trabajo en funcionamiento seguido de carga) hasta que las baterías puedan cargarse en su totalidad.

## CARGA DEL BLOQUE DE BATERIAS

Ver Figura 1.

- Con su luz de trabajo use solamente el bloque de baterías y el cargador recomendados.
- **Asegúrese de que la alimentación es el voltaje normal del hogar: 120 voltios, 60 Hz, CA solamente.**
- Conecte el cargador a la fuente de alimentación eléctrica.
- Coloque el bloque de baterías en el cargador alineando la nervadura del bloque de baterías con la ranura situada en el cargador. Ver Figura 1.
- Empuje hacia abajo el bloque de baterías para asegurarse de que los contactos del bloque de baterías enganchen debidamente los contactos del cargador.
- Normalmente, el LED rojo del cargador se iluminará. Esto indica que el cargador está en modo de carga rápida.
- El LED rojo debe permanecer iluminado durante aproximadamente 1 hora y luego se cambia al LED verde. Cuando se ilumina el LED verde, el bloque de baterías está totalmente cargado y ahora está en modo de carga lenta. **Nota:** El LED verde permanecerá iluminado hasta que se retire el bloque de baterías del cargador o el cargador sea desenchufado de la fuente de alimentación.

- Si se iluminan ambos, el LED verde y el LED amarillo, esto indica que el bloque de baterías está totalmente agotado o defectuoso.

Deje el bloque de baterías en el cargador durante 15 a 30 minutos. Cuando el bloque de baterías alcanza el límite de voltaje normal, el LED rojo debe iluminarse.

Si el LED rojo no se ilumina después de 30 minutos, esto indica que el bloque de baterías está defectuoso y debe ser reemplazado.

- Después de uso normal, se requiere un mínimo de 1 hora de carga para que el bloque de baterías quede totalmente cargado.
- El bloque de baterías permanecerá ligeramente caliente cuando se está cargando. Esto es normal y no es indicación de problema.
- **No** coloque el cargador ni el bloque de baterías en un ambiente de mucho calor o frío. Trabajaré mejor a temperatura ambiente normal.

**Nota:** El cargador y el bloque de baterías deben ser colocados en un lugar donde la temperatura sea superior a 50°F pero inferior a 100°F.

- Cuando las baterías se carguen completamente, desenchufe el cargador de la fuente de energía eléctrica y desconéctelo del bloque de baterías.

## INFORMACION IMPORTANTE PARA CARGAR UN BLOQUE DE BATERIAS CALIENTE

Cuando use su luz de trabajo en forma continua, las baterías en el bloque de baterías pueden calentarse. Usted debe dejar enfriar el bloque de baterías durante aproximadamente 30 minutos antes de intentar recargarlo. Cuando el bloque de baterías se descarga y está caliente, esto causará que el LED verde se ilumine en vez del LED rojo. Después de 30 minutos, vuelva a insertar el bloque de baterías en el cargador. Si el LED verde continúa iluminado, devuelva el bloque de baterías a su Centro de Reparación Sears más cercano para su revisión o reemplazo.

**Nota:** Esta situación ocurre solamente cuando el uso continuo de su luz de trabajo causa que las baterías se calienten. No ocurre bajo circunstancias normales. Consulte "**CARGA DEL BLOQUE DE BATERIAS**" para carga normal de las baterías. Si el cargador no carga su bloque de baterías bajo circunstancias normales, devuelva **ambos**, el bloque de baterías y el cargador a su Centro de Reparación Sears más cercano para revisión eléctrica.

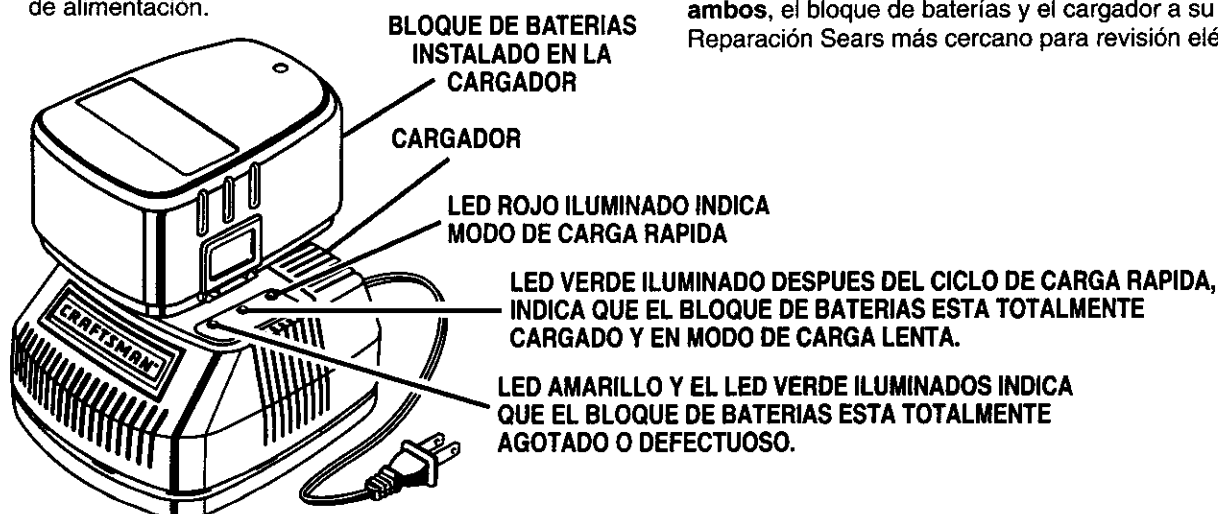


Fig. 1

## FUNCIONES DEL DIODO EMISOR DE LUZ (LED) DEL CARGADOR EL DIODO EMISOR DE LUZ (LED) INDICA EL ESTADO DEL CARGADOR Y DEL BLOQUE DE BATERÍAS:

- LED Rojo iluminado = Modo de carga rápida
- LED Verde iluminado = Totalmente cargado y en modo de carga lenta.
- LED Verde iluminado = Cuando el bloque de baterías está insertado en el cargador, indica que el bloque de baterías está caliente o que el bloque de baterías está fuera o bajo el límite de temperatura normal.
- LED Amarillo y LED Verde iluminados = Bloque de baterías totalmente agotado o defectuoso.
- Ningún LED iluminado = Cargador o bloque de baterías defectuoso.

**⚠ ATENCIÓN:** A fin de evitar que el bloque de baterías se dañe, retírelo del cargador inmediatamente si ningún LED se ilumina. Devuelva el bloque de baterías y el cargador a su Centro de Reparación Sears más cercano para su revisión o reemplazo. Además, si usted retira el bloque de baterías del cargador y no hay ningún LED iluminado, devuelva ambos, el bloque de baterías y el cargador a su Centro de Reparación Sears más cercano. No inserte ningún otro bloque de baterías en el cargador. Un cargador defectuoso puede dañar un bloque de baterías.

## INSTALACION/DESMONTAJE DEL BLOQUE DE BATERÍAS

Ver Figura 2.

- Con su luz de trabajo use solamente el bloque de baterías y el cargador recomendados.

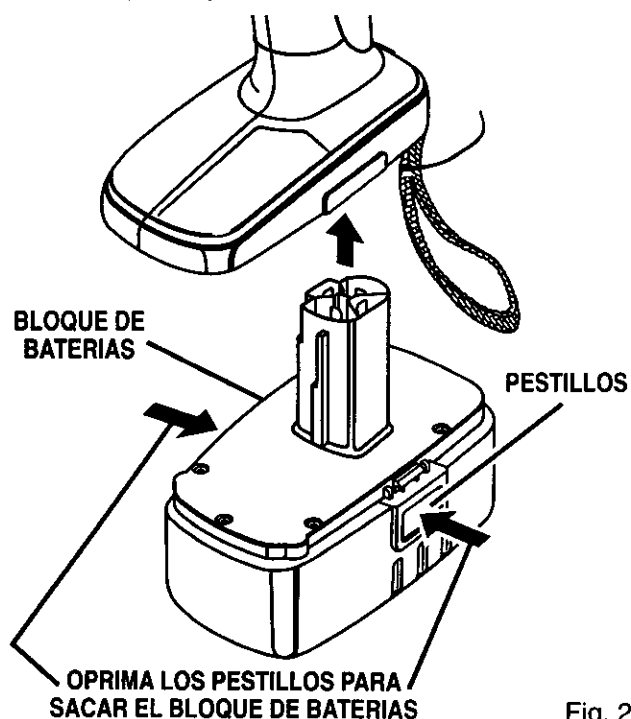


Fig. 2

**⚠ ADVERTENCIA:** No instale el bloque de baterías en su luz de trabajo hasta que no haya leído y comprendido bien todas las advertencias e instrucciones de funcionamiento indicadas en el manual e impresas en el bloque de baterías y en el cargador.

- Coloque el bloque de baterías alineando la nervadura del bloque de baterías con la ranura de la luz de trabajo. El bloque de baterías está diseñado para insertarse en la manija de la luz de trabajo de una manera solamente.
- Inserte el bloque de baterías asegurándose de que los pestillos en ambos lados del bloque de baterías entren a presión en su lugar y que el bloque de baterías esté firme en la luz de trabajo antes de usarla.

**⚠ ATENCIÓN:** Cuando instale el bloque de baterías en su luz de trabajo, asegúrese de que la nervadura del bloque de baterías quede alineada con la ranura de la manija de la luz de trabajo y los pestillos entren a presión en su lugar. El montaje incorrecto del bloque de baterías puede dañar los componentes internos.

- Para sacar el bloque de baterías, ubique los pestillos situados en el extremo del bloque y oprima para sacar el bloque de baterías de la luz de trabajo.

## GATILLO

Ver Figura 3.

Para encender y apagar la luz de trabajo, apriete el gatillo.

## CABEZA DE VARIAS POSICIONES

Ver Figura 3.

La cabeza de la luz de trabajo tiene varias posiciones y cada una de ellas tiene un tope con chasquido. Gire la cabeza a la posición deseada como se muestra con las flechas en la Figura 3.

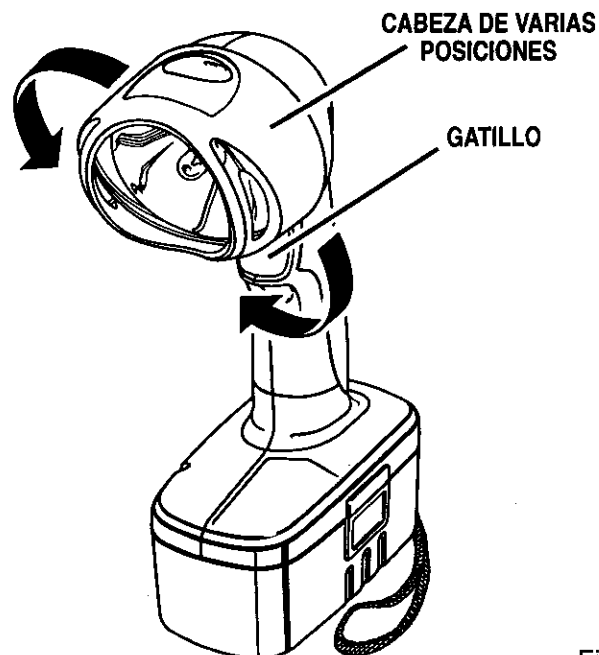


Fig. 3

**⚠ ADVERTENCIA:** Cuando repare la herramienta use solamente repuestos auténticos Craftsman. El uso de cualquier otro repuesto puede crear un riesgo o dañar el producto.

**⚠ ADVERTENCIA:** Evite en todo momento que los líquidos de frenos, gasolina, productos a base de petróleo, aceites penetrantes, etc. entren en contacto con las piezas de plástico. Ellos contienen productos químicos que pueden dañar, debilitar o destruir el plástico.

No haga uso abusivo de las herramientas mecánicas. El uso abusivo puede dañar la herramienta y también la pieza de trabajo.

**⚠ ADVERTENCIA:** No trate de modificar esta herramienta ni de crear accesorios no recomendados para su uso con esta herramienta. Cualquiera alteración o modificación se considera mal uso y puede resultar en una condición peligrosa que cause una posible lesión personal grave.

## CAMBIO DEL FOCO

Ver Figura 4.

Cuando desee comprar un foco de repuesto, solicite la pieza número 7811502. Ver Figura 4.

### PARA CAMBIAR EL FOCO:

- Retire el bloque de baterías de la luz de trabajo.  
Ver Página 5.
- Oprima el botón situado en la parte superior de la cubierta del lente y luego tire de la cubierta del lente para sacarla.
- Retire el foco antiguo del resorte girando el foco a la derecha.

- Inserte el nuevo foco en el resorte girando el foco a la derecha.
- Vuelva a colocar la cubierta del lente alineando las lengüetas del interior de la cubierta con las ranuras de la caja luego presione para colocarla en su lugar.
- Vuelva a instalar el bloque de baterías.

**Nota:** Para su conveniencia, su luz de trabajo tiene un área para guardar un foco adicional. Ver Figura 4.

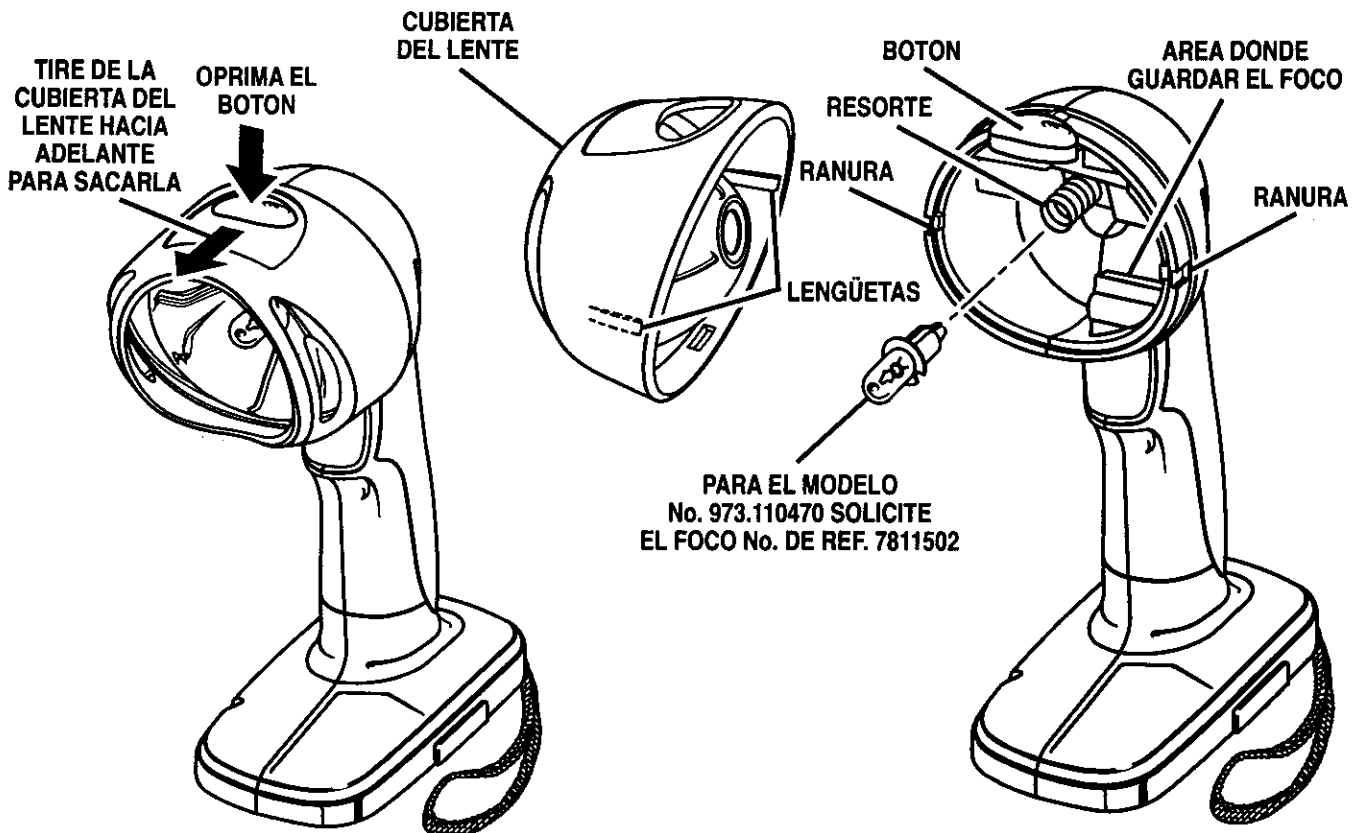


Fig. 4

## BATERIAS

El bloque de baterías de su luz de trabajo está equipado con baterías recargables de níquel y cadmio. La duración del servicio de cada carga dependerá del tipo de trabajo que esté realizando.

Las baterías en esta herramienta han sido diseñadas para proveer duración máxima sin problemas. Sin embargo, como todas las baterías, eventualmente se agotarán. **NO** desarme el bloque de baterías ni intente reemplazar las baterías. La manipulación de estas baterías, especialmente cuando esté usando anillos y joyas, puede resultar en una quemadura grave.

Para obtener la vida útil más larga de las baterías, sugerimos lo siguiente:

- Guarde y cargue las baterías en un lugar fresco. Las temperaturas superiores a la temperatura ambiente normal acortarán la vida útil de las baterías.
- Nunca guarde las baterías descargadas. Carguelas inmediatamente después que se han descargado.
- Todas las baterías pierden gradualmente su carga. Mientras más alta sea la temperatura, más rápidamente pierden la carga. Si guarda su herramienta por períodos de tiempo prolongados sin usarla, cargue las baterías cada mes o cada dos meses. Esta práctica prolongará la vida útil de las baterías.



Para conservar los recursos naturales le rogamos reciclar o eliminar la batería de manera apropiada.

Este producto contiene una batería de níquel y cadmio. Las leyes locales, estatales y federales pueden prohibir que las baterías usadas sean descartadas en la basura común.

Consulte con las autoridades locales para obtener información sobre el reciclaje y/o la manera correcta de descartar estos productos.

## EXTRACCION DE LA BATERIA Y PREPARACION PARA EL RECICLAJE

**⚠ ADVERTENCIA:** Después de sacar el bloque de baterías, cubra los bornes del bloque de batería con cinta adhesiva resistente. No intente destruir, desarmar la batería o sacar cualquiera de sus componentes. Las baterías de níquel y cadmio deben ser recicladas o descartadas de manera adecuada. Igualmente, nunca toque ambos bornes con objetos metálicos y/o una parte del cuerpo pues se puede producir un cortocircuito. Manténgase fuera del alcance de los niños. Si no se cumplen estas advertencias, se puede producir un incendio y/o lesión grave.

**⚠ ADVERTENCIA:** No intente desarmar el bloque de baterías. Puede producirse un incendio o una lesión.

# Get it fixed, at your home or ours!

For repair of major brand appliances **in your own home...**  
no matter who made it, no matter who sold it!

**1-800-4-MY-HOME<sup>SM</sup>** Anytime, day or night  
(1-800-469-4663)

[www.sears.com](http://www.sears.com)

To bring in products such as vacuums, lawn equipment and electronics  
for repair, call for the location of your nearest **Sears Parts & Repair Center.**

**1-800-488-1222** Anytime, day or night

[www.sears.com](http://www.sears.com)

For the replacement parts, accessories and owner's manuals  
that you need to do-it-yourself, call **Sears PartsDirect<sup>SM</sup>**!

**1-800-366-PART** 6 a.m. – 11 p.m. CST,  
(1-800-366-7278) 7 days a week

[www.sears.com/partsdirect](http://www.sears.com/partsdirect)

To purchase or inquire about a Sears Service Agreement:

**1-800-827-6655**

7 a.m. – 5 p.m. CST, Mon. – Sat.

Para pedir servicio de reparación a domicilio,  
y para ordenar piezas con entrega a domicilio:

**1-888-SU-HOGAR<sup>SM</sup>**  
(1-888-784-6427)

Au Canada pour service en français:

**1-877-LE-FOYER<sup>SM</sup>**  
(1-877-533-6937)

