

**owner's  
manual**

**12 GALLON  
MODEL NO.  
113.177650**

**OR**

**16 GALLON  
MODEL NO.  
113.177611**

Serial  
Number \_\_\_\_\_

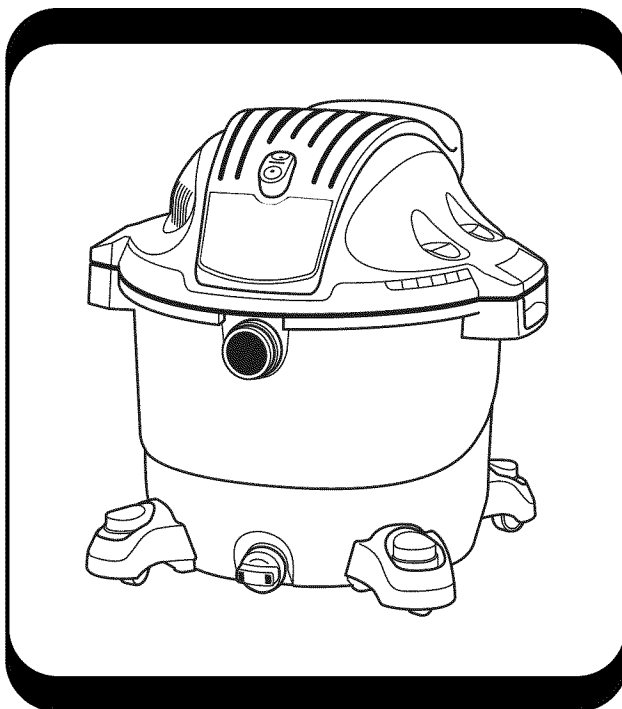
Model and serial  
numbers may be  
found underneath  
the handle.  
You should record  
both model and serial  
numbers in a safe  
place for future use.

**▲ WARNING:**

**FOR YOUR  
SAFETY,**

**READ ALL  
INSTRUCTIONS  
CAREFULLY**

**SAVE THIS  
MANUAL  
FOR FUTURE  
REFERENCE**



**CRAFTSMAN®**

**12 GALLON OR  
16 GALLON  
WET/DRY VAC**

- safety
- assembly
- operation
- maintenance
- repair parts
- Español - página 15

Sears, Roebuck and Co., Hoffman Estates, IL 60179 U.S.A.

# Warranty

## Craftsman One Year Full Warranty

If this Craftsman product fails due to a defect in material or workmanship within one year from the date of purchase, return it to any Sears store, Sears Service Center, or other Craftsman outlet in the United States for free repair (or replacement if repair proves impossible).

This warranty applies for only 90 days from the date of purchase if this product is ever used for commercial or rental purposes.

This warranty does not include bags or filters, which are expendable parts that can wear out from normal use within the warranty period.

This warranty gives you specific legal rights, and you may also have other rights, which vary, from state to state.

Sears, Roebuck and Co., Hoffman Estates, IL 60179

## IMPORTANT SAFETY INSTRUCTIONS

Safety is a combination of using common sense, staying alert, and knowing how your Wet/Dry Vacuum cleaner ("Vac") works.

### Safety Signal Words

**▲ DANGER:** Indicates a hazardous situation which, if not avoided, **will** result in death or serious injury.

**▲ WARNING:** Indicates a hazardous situation which, if not avoided, **could** result in death or serious injury.

**▲ CAUTION:** Indicates a hazardous situation which, if not avoided, **could** result in minor or moderate injury.

When using your Vac, always follow basic safety precautions including the following:

**▲ WARNING - To reduce the risk of fire, electric shock, or injury:**

- Read and understand this manual and all labels on the Vac before operating.
- Use only as described in this manual.
- Do not leave Vac running while unattended - you may fail to notice important signs indicating abnormal operation such as loss of suction, debris/liquid exiting exhaust, or abnormal motor noises. Immediately stop using Vac if you notice these signs.
- Do not leave Vac while plugged in. Unplug from outlet when not in use and before servicing.

- Sparks inside the motor can ignite flammable vapors or dust. To reduce the risk of fire or explosion, do not use near combustible liquids, gases, or dusts, such as gasoline or other fuels, lighter fluid, cleaners, oil-based paints, natural gas, coal dust, magnesium dust, grain dust, aluminum dust, or gun powder.
- Do not vacuum anything that is burning or smoking, such as cigarettes, matches, or hot ashes.
- Do not vacuum drywall dust, cold fireplace ash, or other fine dusts with standard filter. These may pass through the filter and be exhausted back into the air. Use a fine dust filter instead.
- To reduce the risk of inhaling toxic vapors, do not vacuum or use near toxic or hazardous materials.
- To reduce the risk of electric shock, do not expose to rain or allow liquid to enter motor compartment. Store indoors.
- Do not allow to be used as a toy. Close attention is necessary when used by or near children.
- Do not use with a torn filter or without the filter installed except when vacuuming liquids as described in this manual. Dry debris ingested by the impeller may damage the motor or be exhausted into the air.

- Turn off Vac before unplugging.
- To reduce the risk of injury from accidental starting, unplug power cord before changing or cleaning filter.
- Do not unplug by pulling on cord. To unplug, grasp the plug, not the cord.
- Do not use with damaged cord, plug or other parts. If your Vac is not working as it should, has missing parts, has been dropped, damaged, left outdoors, or dropped into water, call customer service.
- Do not pull or carry by cord, use cord as handle, close a door on cord, or pull cord around sharp edges or corners. Do not run Vac over cord. Keep cord away from heated surfaces.
- Do not handle plug, switch, or the Vac with wet hands.
- Do not put any object into ventilation openings. Do not vacuum with any ventilation openings blocked; keep free of dust, lint, hair or anything that may reduce air flow.
- Keep hair, loose clothing, fingers, and all parts of body away from openings and moving parts.
- To reduce the risk of falls, use extra care when cleaning on stairs.
- To reduce the risk of back injury or falls, do not lift a Vac that is heavy with liquid or debris. Partially empty by scooping debris or draining liquid.
- To reduce the risk of personal injury or damage to Vac, use only Craftsman recommended accessories.
- When using as a blower:
  - Direct air discharge only at work area.
  - Do not direct air at bystanders.
  - Keep children away when blowing.
  - Do not use blower for any job except blowing dirt and debris.
  - Do not use as a sprayer.
  - Wear safety eyewear.
- To reduce the risk of eye injury, wear safety eyewear. The operation of any utility Vac or blower can result in foreign objects being blown into the eyes, which can result in severe eye damage.

- This Vac is double-insulated, eliminating the need for a separate grounding system. Use only identical replacement parts. Read the instructions for Servicing Double-Insulated Wet/Dry Vacs.
- Use only extension cords that are rated for outdoor use. Extension cords in poor condition or too small in wire size can pose fire and shock hazards. To reduce the risk of these hazards, be sure the cord is in good condition and that liquid does not contact the connection. Do not use an extension cord with conductors smaller than 16 gauge (AWG) in size. To reduce power loss, use a 14 gauge extension cord if 25 to 50 ft. long and 12 gauge for 50 ft. or longer.

---

**▲ CAUTION:**

- To reduce the risk of hearing damage, wear ear protectors when using for extended time or in a noisy area.
- For dusty operations, wear dust mask.
- Static shocks are common when the relative humidity of the air is low. Vacuuming fine debris with your Vac can deposit static charge on the hose or Vac. To reduce the frequency of static shocks in your home or when using this Vac, add moisture to the air with a humidifier.

---

Observe the following warnings that appear on the motor housing of your Vac:



**DOUBLE INSULATED  
GROUNDING NOT REQUIRED.  
WHEN SERVICING USE ONLY  
IDENTICAL REPLACEMENT PARTS.**

**▲ WARNING:** For your own safety, read and understand owner's manual. Do not run unattended. Do not pick up hot ashes, coals, toxic, flammable or other hazardous materials. Do not use around explosive liquids or vapors.

**WARNING:** To reduce the risk of electric shock - do not expose to rain - store indoors.

**SAVE THIS MANUAL**

# Introduction

This Wet/Dry Vac is intended for household use. It may be used for vacuuming of wet or dry media and may be used as a blower.

Read this owner's manual to familiarize yourself with the product features and to understand the specific usage of your new Wet/Dry Vac.

# Table of Contents

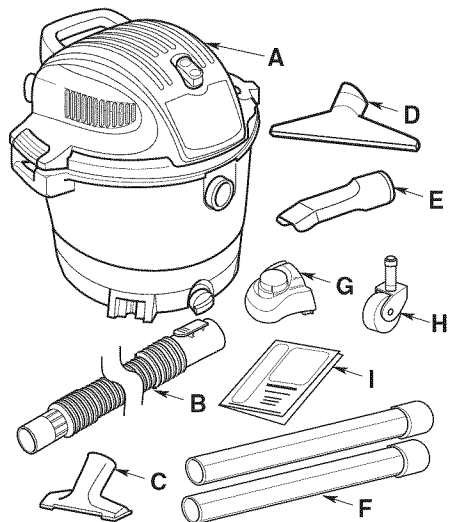
Section	Page	Section	Page
Warranty	2	Emptying the Drum	8
Important Safety Instructions	2	Blowing Feature	9
Introduction	4	Maintenance	10
Table of Contents	4	Filter	10
Assembly	4	Filter Cleaning	10
Carton Contents	4	Filter Removal and Replacement	10
Caster/Caster Foot Assembly	5	Cleaning a Dry Filter	11
Vac Assembly	5	Cleaning a Wet Filter	11
Insert Hose	6	Cleaning and Disinfecting the Wet/Dry Vac	11
Accessory Storage	6	Casters	11
Operation	7	Storage	11
Polarized Plug	7	Repair Parts	12
Vacuuming Dry Materials	7		
Vacuuming Liquids	8		

# Assembly

Remove entire contents of carton. Check each item against the Carton Contents List. Notify your Sears Store or Sears Service Center immediately if any parts are damaged or missing.

## Carton Contents List

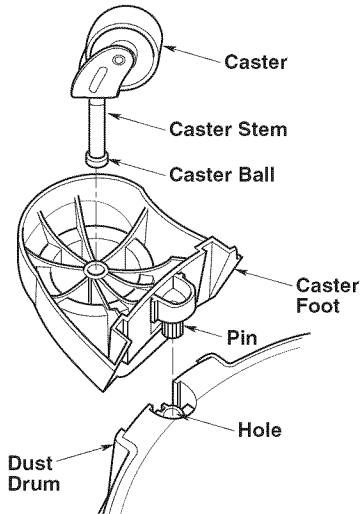
Key	Description	Qty.
A	Vac Assembly	1
B	Pos-I-Lock® Hose Assembly	1
C	Utility Nozzle	1
D	Wet Nozzle	1
E	Car Nozzle	1
F	Extension Wands	2
G	Caster Foot W/Storage	4
H	Caster	4
I	Owner's Manual	1



# Assembly (continued)

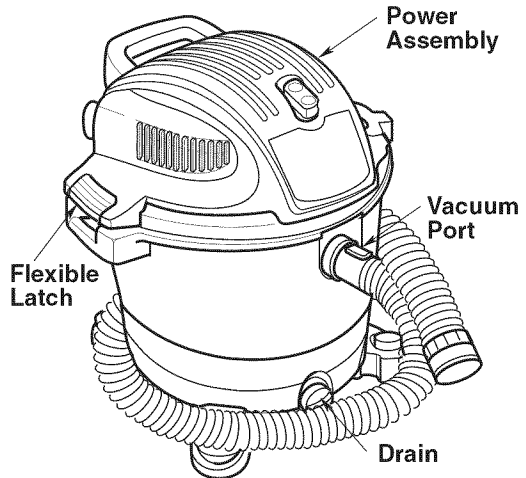
## Caster/Caster Foot Assembly

1. Remove the power assembly from the dust drum and set aside.
2. Turn the dust drum upside down on the floor.
3. Insert the caster feet into the bottom of drum, as shown (4 places).
4. Push on the caster foot until the foot is flush with bottom of the dust drum.
5. Insert the caster stem into the socket of the caster foot, as shown (4 places).
6. Push on the caster until the ball on the caster stem is inserted all the way into the socket. You will hear the ball snap into the socket and the caster will swivel easily when positioning is correct.
7. Turn the drum upright.



## Vac Assembly

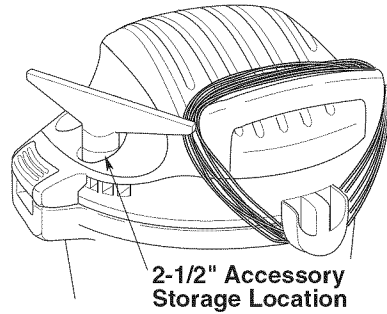
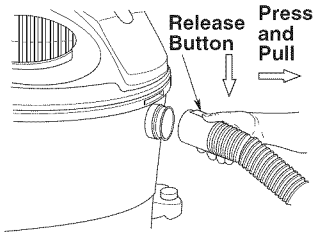
1. Line up front (label and switch side) of power assembly with drain cap and Vac port located on the front of the drum.
- Note:** Power assembly must be aligned with drum for proper attachment.
2. Place power assembly on top of drum.
  3. Be sure power assembly completely covers the top of the drum so leakage does not occur.
  4. Upon releasing flexible latches, the power assembly will attach to the drum.
  5. To remove the power assembly, lift up on the flexible latches and remove from drum.



# Assembly (continued)

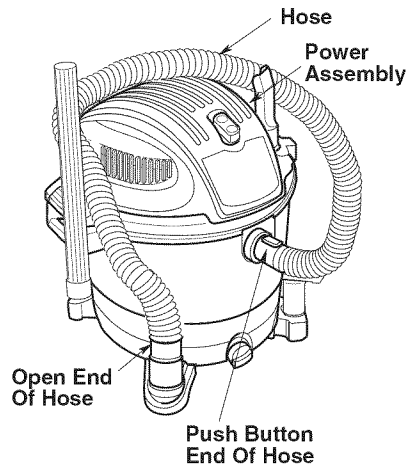
## Insert Hose

Insert the hose locking end of the "Pos-I-Lock®" hose into the inlet of the Vac. The hose should snap into place. To remove the hose from the Vac, press the release button in the hose assembly and pull the hose out of the Vac inlet, as shown.



## Accessory Storage

Your accessories may be stored in the caster feet or in the storage locations on the lid. The hose may be stored by wrapping it around the unit and plugging the open end into one of the storage locations on the caster feet.



# Operation

**▲ WARNING: To reduce the risk of fire, explosion, or damage to Vac:**

- Do not leave Vac running while unattended - you may fail to notice important signs indicating abnormal operation such as loss of suction, debris/liquid exiting exhaust, or abnormal motor noises. Immediately stop using Vac if you notice these signs.
- Do not leave Vac plugged-in when not in use.
- Do not continue running when float has cut off suction.
- Do not operate Vac in areas with flammable gases, vapors or explosive dust in the air. Sparks inside the motor can ignite airborne flammables. Flammable gases and vapors include: lighter fluid, solvent-type cleaners, oil-based paints, gasoline, alcohol, or aerosol sprays. Flammable dusts include: coal, magnesium, aluminum, grain, or gun powder.
- Do not vacuum up explosive dusts, flammable liquids, or hot ashes.
- Do not use Vac as a sprayer.

**▲ WARNING: To reduce the risk of electric shock or injury:**

- Do not expose to rain or allow liquid to enter motor compartment. Store indoors.
- Do not handle plug, switch, or Vac with wet hands.
- Do not service Vac while it is plugged-in. If your Vac is not working as it should, has missing parts, has been dropped, damaged, left outdoors, or dropped into water, return it to an independent service center or call customer service.
- When using an extension cord, use only outdoor-rated cords that are in good condition. Do not allow the connection to come into contact with liquid.
- Do not vacuum toxic materials to reduce the risk of inhaling the vapors or dust.

## Polarized Plug

To reduce the risk of electric shock, this appliance has a polarized plug (one blade is wider than the other). This plug will fit in a polarized outlet only one way. If the plug does not fit fully in the outlet, reverse the plug. If it still does not fit, contact a qualified electrician to install the proper outlet. Do not change the plug in any way.

After you plug the power cord into the outlet, turn the unit on by pushing the switch from position "O" to position "I". The symbols used on the switch actuator are international "On & Off" symbols. "O" is the symbol for "OFF" and "I" is the symbol for "ON".



## Vacuumping Dry Materials

1. The filter must always be in correct position to reduce the risk of leaks and possible damage to Vac.
2. When using your Vac to pick up very fine dust, it will be necessary for you to empty the drum and clean the filter at more frequent intervals to maintain peak Vac performance.

**NOTE:** A dry filter is necessary to pick up dry material. If you use your Vac to pick up dust when the filter is wet, the filter will clog quickly and be very difficult to clean.

The optional Craftsman HEPA Rated Material Filter, stock number 17912 will do a better job stopping very fine particles than the 17816 filter.

# Operation (continued)

---

## Vacuumping Liquids

**⚠ WARNING:** Do not operate without filter cage and float, as they prevent liquid from entering the impeller and damaging the motor.

1. When picking up small amounts of liquid the filter may be left in place.
2. When picking up large amounts of liquid we recommend that the filter be removed. If the filter is not removed, it will become saturated and misting may appear in the exhaust.
3. After using the Vac to pick up liquids, the filter must be dried to reduce the risk of possible mildew and damage to the filter.
4. When the liquid in the drum reaches a predetermined level, the float mechanism will rise automatically to cut off air-flow. When this happens, turn off the Vac, unplug the power cord, and empty the drum. You will know that the float has risen because Vac airflow ceases and the motor noise will become higher in pitch, due to increased motor speed.

**IMPORTANT:** To reduce the risk of damage to the Vac do not run motor with float in raised position.

## Emptying the Drum

1. Remove the power assembly. Push down and pull out the flexible locking tabs to release from drum.
2. While holding the locking tabs out, lift the power assembly up and away from the drum.
3. Lay power assembly upside down on a clean area while emptying the drum.
4. Dump the drum contents into the proper waste disposal container.
5. The Vac comes equipped with a drain for easy emptying of liquids. Simply unscrew the drain cap and lift the opposite side slightly to empty the drum.

**⚠ WARNING:** To reduce the risk of back injury or falls, do not lift a Vac heavy with liquid or debris. Scoop or drain enough contents out to make the Vac light enough to lift comfortably.



## Operation (continued)

### Blowing Feature

Your Vac features a blowing port. It can blow sawdust and other debris. Follow the steps below to use your Vac as a blower.

**⚠ WARNING:** Always wear safety eyewear complying with ANSI Z87.1 (or in Canada, CSA Z94.3) before using as a blower.

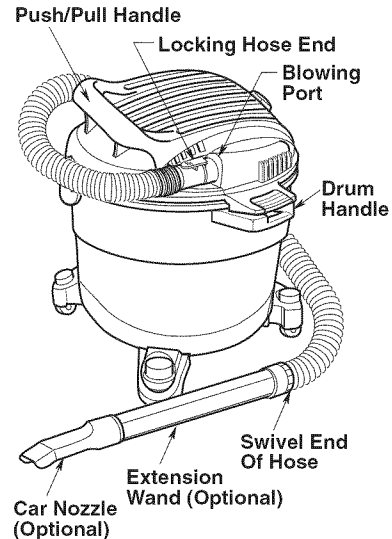
**⚠ WARNING:** To reduce the risk of injury to bystanders, keep them clear of blowing debris.

**⚠ CAUTION:** Wear a dust mask if blowing creates dust which might be inhaled.

**⚠ CAUTION:** To reduce the risk of hearing damage, wear ear protectors when using the Vac/Blower for extended time or a noisy area.

1. Locate blowing port of your Vac.
2. Insert the locking end of the “Pos-I-Lock<sup>®</sup>” hose into the blowing port of the Vac. The hose should snap into place. To remove the hose from the Vac, press the release button in the hose assembly and pull the hose out of the Vac inlet.
3. (Optional) Attach extension wand to opposite end of hose, then place the car nozzle on the wand.
4. Turn Vac on and you are ready to use your Vac as a blower.

Craftsman recommended accessories are available at Sears retail stores and [sears.com](http://sears.com). The Sears 2-1/2” Blower Nozzle Stock No. 16933 is recommended for blowing debris.



# Maintenance

## Filter

**⚠ WARNING:** To reduce the risk of injury from accidental starting, unplug power cord before changing or cleaning filter.

**NOTE:** This filter is made of high quality paper designed to stop very small particles of dust. The filter can be used for wet or dry pick up. Handle the filter carefully when removing to clean or installing it. Creases in the filter pleats may occur from installation but creases will not affect the performance of the filter.

## Filter Cleaning

Your filter should be cleaned often to maintain peak Vac performance.

Be sure to dry the filter before storing or picking up dry debris.

**IMPORTANT:** After cleaning, check the filter for tears or small holes. Do not use a filter with holes or tears in it. Even a small hole can cause a lot of dust to come out of your Vac. Replace it immediately.

## Filter Removal and Replacement

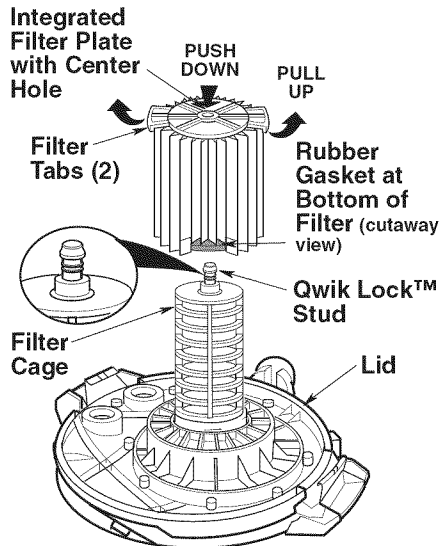
**IMPORTANT:** To reduce the risk of damage to the blower wheel and motor, always reinstall the filter before using the Vac for dry material pickup.

### Filter Removal:

1. Hold the filter tabs of the Qwik Lock™ filter in each hand.
2. With one thumb on the Qwik Lock™ stud, which protrudes through the integrated filter plate, lift up on the filter tabs while pushing down on the stud.
3. This action will cause the filter to release from the filter cage. Slide filter off cage.

### Filter Installation:

1. Carefully slide the Qwik Lock™ filter over the filter cage and press down on the outside edge of the filter until the rubber gasket on the bottom of the filter seats securely around the base of the filter cage and against the lid.
2. Align the small center hole in the top of the filter over the Qwik Lock™ stud on the filter cage. Press firmly on top of the filter near the stud to allow the filter to snap over the ball on the end of the stud. The filter is now attached.



**NOTE:** Failure to properly seat the bottom gasket could result in debris bypassing the filter.

# Maintenance (continued)

## Cleaning A Dry Filter

Some removal of dry debris can be accomplished without removing the filter from the Vac. Slap your hand on top of the power assembly while the Vac is turned off.

For best cleaning results due to accumulated dust, clean the filter in an open area. Cleaning SHOULD be done outdoors and not in the living quarters.

After filter removal from Vac, remove the dry debris by gently tapping the filter against the inside wall of your dust drum. The debris will loosen and fall.

For thorough cleaning of dry filter with fine dust (no debris), run water through it as described under "Cleaning A Wet Filter".

## Cleaning A Wet Filter

After filter is removed, run water through the filter from a hose or spigot. Take care that water pressure from the hose is not strong enough to damage filter.

## Cleaning and Disinfecting the Wet/Dry Vac

To keep your Wet/Dry Vac looking its best, clean the outside with a cloth dampened with warm water and mild soap.

To clean the drum:

1. Dump debris out.
2. Wash drum thoroughly with warm water and mild soap.
3. Wipe out with dry cloth.

Before prolonged storage or as needed (i.e., waste water pick up) the drum should be disinfected.

To disinfect the drum:

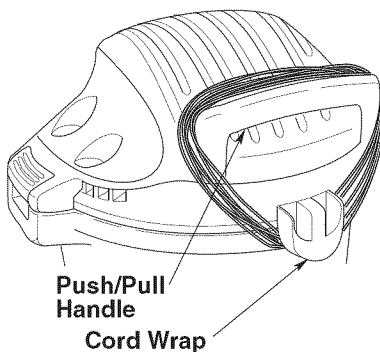
1. Pour 1 gallon of water and 1 teaspoon chlorine bleach into the drum.
2. Let solution stand for 20 minutes, carefully swishing every few minutes, making sure to wet all inside surfaces of the drum.
3. Empty drum after 20 minutes. Rinse with water until bleach smell is gone. Allow drum to dry completely before sealing the motor on the drum.

## Casters

If your casters are noisy, you may put a drop of oil on the roller shaft to make them quieter.

## Storage

Before storing your Vac, the drum should be emptied and cleaned. The cord should be wrapped around the push/pull handle and cord wrap, as shown and the hose should be stored as described in this manual. Accessories should be kept in the same area as the Vac so they can be readily available. The Vac should be stored indoors.



**▲ WARNING:** To assure product SAFETY and RELIABILITY, repairs and adjustments should be performed by a Sears Parts & Repair Service Center, always using Sears replacement parts.


# Repair Parts

**12 Gallon Wet/Dry Vac    OR    16 Gallon Wet/Dry Vac**  
**Model No. 113.177650                      Model No. 113.177611**

**Always order by Part Number - Not by Key Number**

**▲ WARNING**

**SERVICING OF DOUBLE-INSULATED WET/DRY VAC**

In a double-insulated Wet/Dry Vac, two systems of insulation are provided instead of grounding. No grounding means is provided on a double-insulated appliance, nor should a means for grounding be added. Servicing a double-insulated Wet/Dry Vac requires extreme care and knowledge of the system, and should be done only by qualified service personnel. Replacement parts for a double-insulated Wet/Dry Vac must be identical to the parts they replace. Your double-insulated Wet/Dry Vac is marked with the words "DOUBLE INSULATED" and the symbol  (square within a square) may also be marked on the appliance.

To reduce the risk of injury from electrical shock, unplug power cord before servicing the electrical parts of the Wet/Dry Vac.

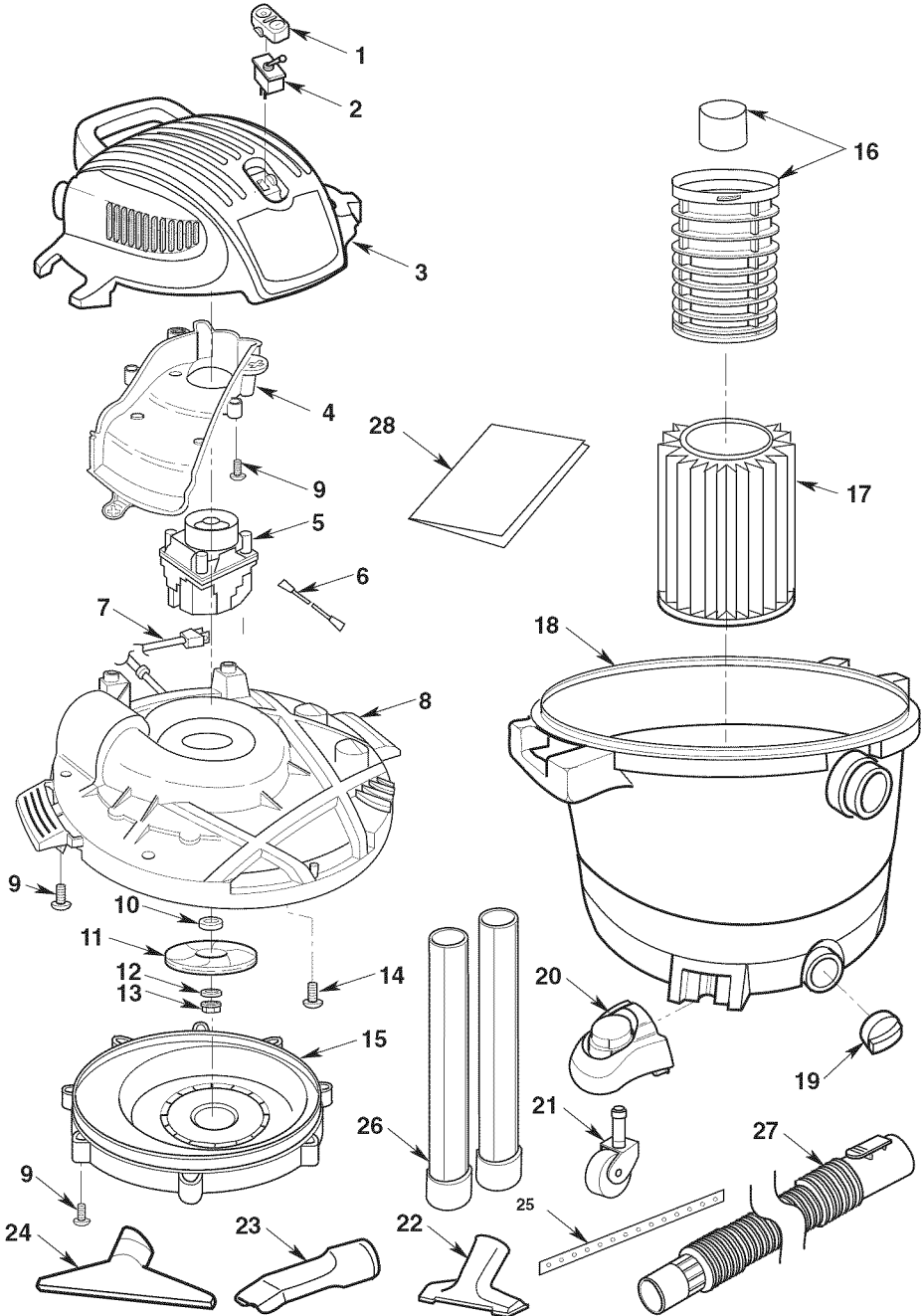
Key No.	12 Gallon Part No.	16 Gallon Part No.	Description
1	828952	828952	Actuator, Switch
2	73180	73180	Switch, Toggle
3	829971-12	829971-13	Cover w/Labels
4	830275	830275	Duct, Exhaust
5	829693	829693-1	Motor (Includes Key No's. 11, thru 14)
6	819260-13	819260-13	Lead Assembly
7	829718-5	829718-5	Cord w/Terminals
8	509819	509819	Lid Assembly
9	820563-4	820563-4	Screw, Pan Hd. Ty. "AB" 10 x 3/4 Ser.
10	818961	818961	Spacer
11	818413-2	818413-2	Blower Wheel
12	315534-1	315534-1	Washer
13	826817	826817	Nut,Hex Flange 5/16-18
14	820563-5	820563-5	Screw, Pan Hd. Ty. "AB" 10 x 1-1/4 Ser.
15	829692-1	829692-1	Collector
16	823201-2	823201-2	Filter Cage Assembly
17	17816	17816	† Filter
18	829971-15	830502	Drum (Includes Key No. 19)
19	73185	73185	Cap, Drain
20	828460	828460	Foot, Caster w/Storage
21	73102	73102	Caster
22	16922	16922	† Utility Nozzle
23	16978	16978	† Car Nozzle
24	17817	17817	† Wet Nozzle
25	822256	822256	Squeegee
26	17854	17854	† Extension, Wands
27	16928	16928	† Pos-I-Lock® Hose
28	SP6741	SP6741	Owner's Manual

† Stock Item - May Be Secured Through The Hardware Department Of Most Sears Retail Stores

# Repair Parts

12 Gallon Wet/Dry Vac  
Model No. 113.177650

OR 16 Gallon Wet/Dry Vac  
Model No. 113.177611



# Notes ---

---

---

---

---

---

---

---

---

---

---

---

---

---

---

---

---

---

---

---

---

---

---

---

---

---

---

---

**manual  
del usuario**

**12 GALONES**

**NO. DE MODELO**

**113.177650**

**ó**

**16 GALONES**

**NO. DE MODELO**

**113.177611**

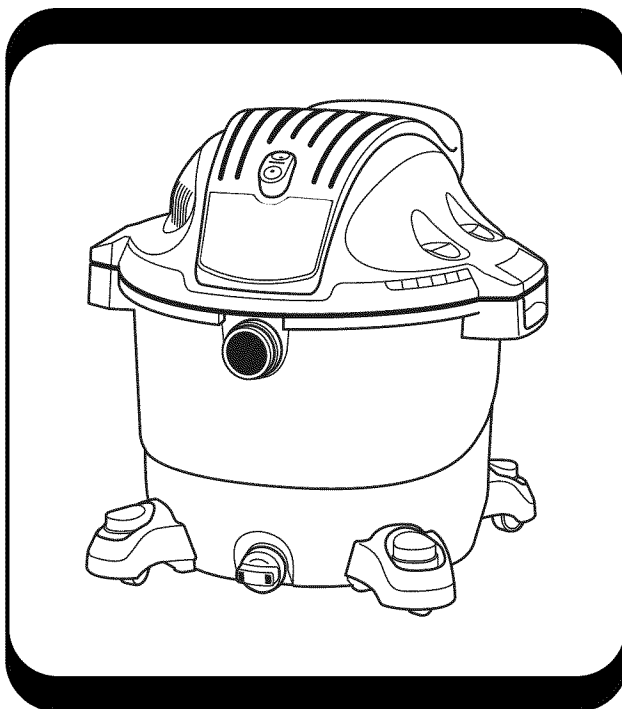
Número  
de serie \_\_\_\_\_

Los números de modelo  
y de serie se pueden  
encontrar debajo del asa.  
Usted debe anotar los  
números tanto de modelo  
como de serie en un lugar  
seguro para uso futuro.

**▲ ADVERTENCIA:**  
**PARA SU  
SEGURIDAD**

**LEA DETENIDAMENTE  
TODAS LAS  
INSTRUCCIONES**

**GUARDE ESTE  
MANUAL  
PARA REFERENCIA  
FUTURA**



**CRAFTSMAN®**

**ASPIRADORA PARA  
MOJADO/SECO  
DE 12 GALONES  
ó DE 16 GALONES**

- seguridad
- ensamblaje
- funcionamiento
- mantenimiento
- piezas de repuesto

Sears, Roebuck and Co., Hoffman Estates, IL 60179 U.S.A.

# Garantía

## Garantía completa Craftsman de un año

Si este producto Craftsman falla debido a un defecto de material o de fabricación dentro del plazo de un año a partir de la fecha de compra, devuélvalo a cualquier tienda Sears, Centro de Servicio Sears u otro punto de venta Craftsman para que sea reparado gratuitamente (o reemplazado si la reparación resulta imposible).

Esta garantía se aplica solamente durante 90 días a partir de la fecha de compra, si este producto se utiliza alguna vez para fines comerciales o de alquiler.

Esta garantía no incluye las bolsas ni los filtros, que son piezas perecederas que se pueden desgastar por causa del uso normal dentro del período de garantía.

Esta garantía le confiere a usted derechos legales específicos y es posible que usted tenga también otros derechos que varían de un estado a otro.

Sears, Roebuck and Co., Hoffman Estates, IL 60179

## INSTRUCCIONES DE SEGURIDAD IMPORTANTES

La seguridad es una combinación de sentido común, permanecer alerta y saber cómo funciona la aspiradora para mojado/seco ("la aspiradora").

### Palabras de señal de seguridad

**▲ PELIGRO:** indica una situación peligrosa que, si no se evita, **causará** la muerte o lesiones graves

**▲ ADVERTENCIA:** indica una situación peligrosa que, si no se evita, **podría** causar la muerte o lesiones graves

**▲ PRECAUCIÓN:** indica una situación peligrosa que, si no se evita, **pudiera** causar lesiones leves o moderadas.

Cuando utilice la aspiradora para mojado/seco, siga siempre las precauciones básicas de seguridad, incluyendo las siguientes:

### ▲ ADVERTENCIA

– Para reducir el riesgo de incendio, sacudidas eléctricas o lesiones:

- Lea y entienda este manual del usuario y todas las etiquetas que están colocadas en la aspiradora antes de utilizarla.
- Utilice la aspiradora únicamente de la manera que se describe en este manual.
- No deje la aspiradora en marcha mientras esté desatendida. Usted podría no notar señales importantes que indiquen un funcionamiento anormal, tal como pérdida de succión, residuos o líquido que salen por el escape o ruidos anormales del motor. Deje de usar la aspiradora inmediatamente si observa estas señales.
- No abandone la aspiradora cuando esté enchufada. Desenchúfela del tomacorriente cuando no la esté utilizando y antes de realizar servicio de revisión.

- Las chispas que se producen en el interior del motor pueden incendiar los vapores inflamables o el polvo. Para reducir el riesgo de incendio o explosión: No use la aspiradora cerca de líquidos, gases combustibles, o polvos explosivos como gasolina u otros combustibles, líquido encendedor, limpiadores, pinturas a base de aceite, gas natural, polvo de carbón, polvo de magnesio, polvo de granos de cereal, polvo de aluminio o pólvora.
- No recoja con la aspiradora nada que esté ardiendo o humeando, como cigarrillos, fósforos o cenizas calientes.
- No recoja con la aspiradora polvo de pared de tipo seco ni ceniza fría de chimenea o otros polvos finos con un filtro estándar. Estos materiales pueden pasar por el filtro y ser expulsados de vuelta al aire. Utilice un filtro para polvo fino en lugar de un filtro estándar.
- Para reducir el riesgo de inhalar vapores tóxicos, no recoja con la aspiradora materiales tóxicos o peligrosos ni la use cerca de dichos materiales.
- Para reducir el riesgo de descargas eléctricas, no exponga la aspiradora a la lluvia ni deje que entren líquidos en el compartimiento del motor. Guarde la aspiradora en un lugar interior.
- No permita que la aspiradora se utilice como un juguete. Se necesita prestar máxima atención cuando sea utilizada por niños o cerca de éstos.
- No use la aspiradora con un filtro desgarrado o sin tener el filtro instalado, excepto cuando recoja con ella líquidos de la manera que se describe en este manual. Los residuos secos absorbidos por el impulsor podrían dañar el motor o ser expulsados de vuelta al aire.



- Apague la aspiradora antes de desenchufarla.
- Para reducir el riesgo de lesiones debidas a un arranque accidental, desenchufe el cordón de energía antes de cambiar o limpiar el filtro.
- No desenchufe la aspiradora tirando del cordón. Para desenchufarla, agarre el enchufe y no el cordón.
- No use la aspiradora con el cordón dañado, el enchufe dañado u otras piezas dañadas. Si la aspiradora no funciona como debe, le faltan piezas, se ha caído, ha sido dañada, se ha dejado a la intemperie o se ha caído al agua, llame a servicio al cliente.
- No tire de la aspiradora usando el cordón ni la lleve por el cordón, ni use el cordón como asa, ni cierre una puerta sobre el cordón, ni tire del cordón alrededor de bordes o esquinas afilados. No pase la aspiradora en marcha sobre el cordón. Mantenga el cordón alejado de las superficies calientes.
- No maneje el enchufe, el interruptor o la aspiradora con las manos mojadas.
- No ponga ningún objeto en las aberturas de ventilación. No recoja nada con la aspiradora cuando cualquiera de las aberturas de ventilación esté bloqueada; mantenga dichas aberturas libres de polvo, pelusa, pelo o cualquier cosa que pueda reducir el flujo de aire.
- Mantenga el pelo, la ropa holgada, los dedos y todas las partes del cuerpo alejados de las aberturas y de las piezas móviles.
- Para reducir el riesgo de caídas, tenga cuidado adicional al limpiar en escaleras.
- Para reducir el riesgo de lesiones de espalda o caídas, no levante una aspiradora que pese mucho debido a que contiene líquido o residuos. Saque parte del contenido de la aspiradora o drénela parcialmente.
- Para reducir el riesgo de lesiones corporales o daños a la aspiradora, utilice únicamente accesorios recomendados por Craftsman.
- Cuando utilice la aspiradora como soplador:
  - Dirija la descarga de aire solamente hacia el área de trabajo.
  - No dirija el aire hacia las personas que estén presentes.
  - Mantenga alejados a los niños durante la operación de soplado.
  - No utilice el soplador para trabajos que no sean soplar suciedad y residuos.
  - No use la aspiradora como rociador.
  - Use protección ocular de seguridad.
- Para reducir el riesgo de lesiones en los ojos, use protección ocular de seguridad. La utilización de cualquier aspiradora utilitaria o soplador utilitario puede hacer que se soplen objetos extraños hacia los ojos, lo cual puede causar daños graves en los ojos.
- Esta aspiradora tiene aislamiento doble, lo cual elimina la necesidad de un sistema independiente de conexión a tierra. Utilice únicamente piezas de repuesto idénticas. Lea las instrucciones de servicio de revisión de las aspiradoras para mojado/seco con aislamiento doble.
- Utilice únicamente cordones de extensión que tengan capacidad nominal para uso a la intemperie. Los cordones de extensión que estén en malas condiciones o tengan un tamaño de alambre demasiado pequeño pueden crear peligros de incendio y descargas eléctricas. Para reducir el riesgo de estos peligros, asegúrese de que el cordón esté en buenas condiciones y que el líquido no entre en contacto con la conexión. No utilice un cordón de extensión que tenga conductores con un diámetro menor al calibre 16 (AWG). Para reducir la pérdida de potencia, utilice un cordón de extensión de calibre 14 si la longitud es de 25 a 50 pies, y de calibre 12 si la longitud es de 50 pies o más.

#### **▲ PRECAUCIÓN:**

- Para reducir el riesgo de daños a la audición, use protectores de oídos cuando utilice la aspiradora durante muchas horas seguidas o cuando la emplee en un área ruidosa.
- Para operaciones que generan polvo, use una máscara antipolvo.
- Las descargas de estática son comunes cuando la humedad relativa del aire es baja. Si recoge residuos finos con la aspiradora, se puede depositar carga estática en la manguera o en la aspiradora. El mejor remedio para reducir la frecuencia de las descargas de estática en su casa o cuando use esta aspiradora es añadir humedad al aire con un humidificador.

Siga las siguientes advertencias que aparecen en la caja del motor de la aspiradora.



**ASLAMIENTO DOBLE. NO SE REQUIERE CONEXION A TIERRA.**

**CUANDO HAGA SERVICIO DE REVISIÓN DE LA ASPIRADORA, UTILICE ÚNICAMENTE PIEZAS DE REPUESTO IDÉNTICAS.**

**▲ ADVERTENCIA:** Para su propia seguridad, lea y entienda el manual del operador. No tenga en marcha la aspiradora desatendida. No recoja cenizas calientes, carbón caliente, materiales tóxicos ni inflamables ni otros materiales peligrosos. No use la aspiradora alrededor de líquidos o vapores explosivos.

**ADVERTENCIA:** Para reducir el riesgo de sacudidas eléctricas, no exponga la aspiradora a la lluvia y almacénela en interiores.

## **GUARDE ESTE MANUAL**

# Introducción

Esta aspiradora para mojado/seco está diseñada solamente para uso doméstico. Se puede utilizar para recoger materiales mojados o secos y se puede usar como soplador.

Lea este manual del operador para familiarizarse con las características del producto y para entender la utilización específica de su nueva aspiradora para mojado/seco.

# Índice

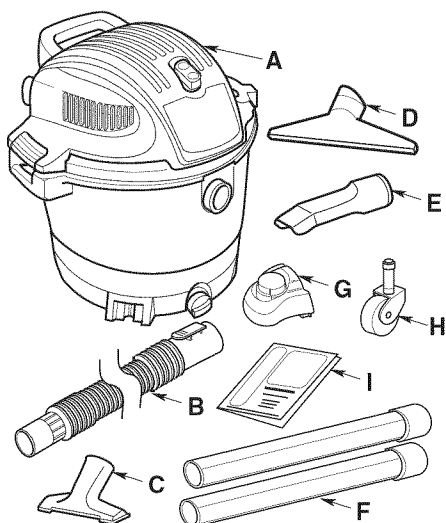
Artículo	Página	Artículo	Página
Garantía	16	Recogida de líquidos con la aspiradora	22
Instrucciones de seguridad importantes	16	Vaciado del tambor	22
Introducción	18	Dispositivo de soplado	23
Índice	18	Mantenimiento	24
Ensamblaje	18	Filtro	24
Contenido de la caja de cartón	18	Limpieza del filtro	24
Ensamblaje de las ruedecillas/patas para ruedecilla	19	Remoción y reemplazo del filtro	24
Ensamblaje de la aspiradora	19	Limpieza de un filtro seco	25
Introduzca la manguera	20	Limpieza de un filtro mojado	25
Almacenamiento de accesorios	20	Limpieza y desinfección de la aspiradora para mojado/seco	25
Funcionamiento	21	Ruedecillas	25
Enchufe polarizado	21	Almacenamiento	25
Recogida de materiales secos con la aspiradora	21	Piezas de repuesto	26

# Ensamblaje

Saque todo el contenido de la caja de cartón. Asegúrese de que no falte ningún artículo utilizando la lista del contenido de la caja. Notifique inmediatamente a su tienda Sears o Centro de Servicio Sears si alguna pieza está dañada o falta.

## Lista del contenido de la caja de cartón

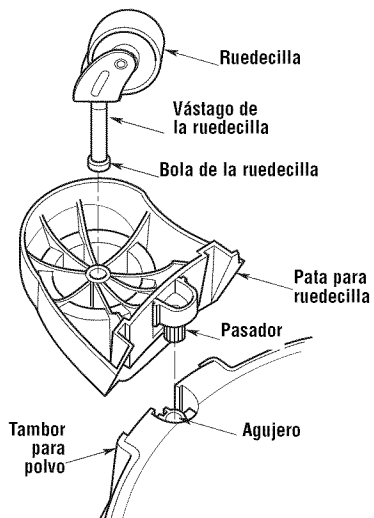
Clave	Descripción	Cant.
A	Ensamblaje de la aspiradora	1
B	Ensamblaje de la manguera Pos-I-Lock®	1
C	Boquilla utilitaria	1
D	Boquilla para mojado	1
E	Boquilla para auto	1
F	Tubos extensores	2
G	Pie de ruedecilla con área de almacenamiento	4
H	Ruedecilla	4
I	Manual del usuario	1



## Ensamblaje (continuación)

### Ensamblaje de las ruedecillas/patas para ruedecilla

1. Quite el ensamblaje del motor del tambor para polvo y póngalo a un lado.
2. Ponga el tambor para polvo en posición invertida sobre el piso.
3. Introduzca las patas para ruedecilla en la parte inferior del tambor, tal como se muestra (4 lugares).
4. Ejercer presión sobre la pata para ruedecilla hasta que la pata esté al ras con la parte inferior del tambor para polvo.
5. Introduzca el vástago de la ruedecilla en el receptáculo de la pata para ruedecilla, tal como se muestra (4 lugares).
6. Ejercer presión sobre la ruedecilla hasta que la bola del vástago de la ruedecilla se introduzca del todo en el receptáculo. Se podrá oír como la bola encaja en el receptáculo con un chasquido y la ruedecilla oscilará fácilmente cuando el posicionamiento sea correcto.
7. Ponga el tambor en posición vertical.

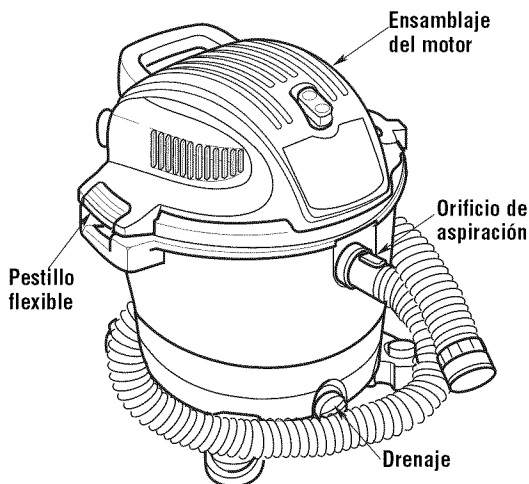


### Ensamblaje de la aspiradora

1. Alinee la parte delantera (lado de la etiqueta y el interruptor) del ensamblaje del motor con la tapa del drenaje y el orificio de aspiración ubicados en la parte delantera del tambor.

**Nota:** El ensamblaje del motor debe estar alineado con el tambor para lograr una sujeción apropiada.

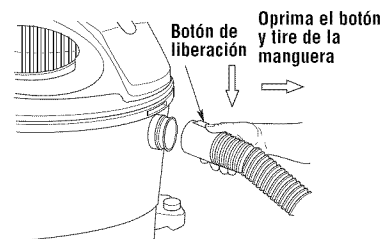
2. Coloque el ensamblaje del motor sobre la parte superior del tambor.
3. Asegúrese de que el ensamblaje del motor cubra completamente la parte superior del tambor, para que no se produzcan fugas.
4. Después de soltar los pestillos flexibles, el ensamblaje del motor se acoplará al tambor.
5. Para quitar el ensamblaje del motor, levante los pestillos flexibles y quite dicho ensamblaje del tambor.



## Ensamblaje (continuación)

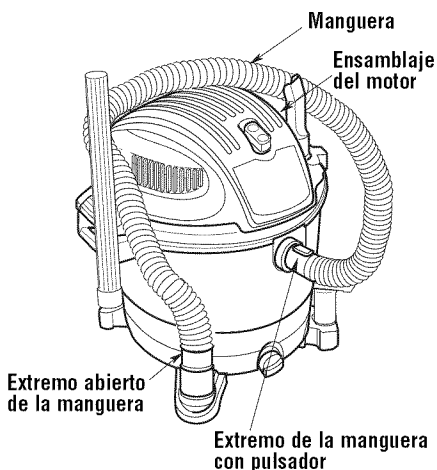
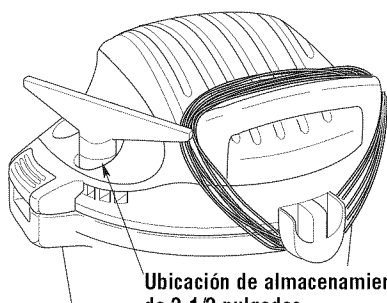
### Introduzca la manguera

Introduzca el extremo de fijación de la manguera "Pos-I-Lock®" en la entrada de la aspiradora. La manguera debería acoplarse a presión en su sitio. Para sacar la manguera de la aspiradora, oprima el botón de liberación ubicado en el ensamblaje de la manguera y tire de la manguera hasta sacarla de la entrada de la aspiradora, de la manera que se muestra en la ilustración.



### Almacenamiento de los accesorios

Los accesorios se pueden almacenar en los pies de ruedecilla o en las ubicaciones de almacenamiento situadas en la tapa. La manguera se puede almacenar enrollándola alrededor de la unidad y acoplando el extremo abierto en una de las ubicaciones de almacenamiento situadas en los pies de ruedecilla.



# Funcionamiento

## **⚠ ADVERTENCIA: Para reducir el riesgo de incendio, explosión o daños a la aspiradora:**

- No deje la aspiradora en marcha mientras esté desatendida. Usted podría no notar señales importantes que indiquen un funcionamiento anormal, tal como pérdida de succión, residuos o líquido que salen por el escape o ruidos anormales del motor. Deje de usar la aspiradora inmediatamente si observa estas señales.
- No deje la aspiradora enchufada cuando no se esté utilizando.
- No continúe usando la aspiradora cuando el flotador haya cortado la succión.
- No utilice la aspiradora en áreas con gases inflamables, vapores inflamables o polvo explosivo en el aire. Las chispas generadas dentro del motor pueden incendiar los materiales inflamables suspendidos en el aire. Los gases inflamables y los vapores inflamables incluyen: líquido encendedor, limpiadores tipo solvente, pinturas a base de aceite, gasolina, alcohol o rociadores tipo aerosol. Los polvos inflamables incluyen: polvo de carbón, polvo de magnesio, polvo de aluminio, polvo de grano de cereal o pólvora.
- No recoja con la aspiradora polvos explosivos, líquidos inflamables ni cenizas calientes.
- No use la aspiradora como un rociador.

## **⚠ ADVERTENCIA: Para reducir el riesgo de descargas eléctricas o lesiones:**

- No exponga la aspiradora a la lluvia ni deje que entre líquido en el compartimiento del motor. Almacene la aspiradora en un lugar interior.
- No maneje el enchufe, el interruptor o la aspiradora con las manos mojadas.
- No haga servicio de ajustes y reparaciones de la aspiradora mientras esté enchufada. Si la aspiradora no está funcionando como debería, le faltan piezas, se ha caído, está dañada, se ha dejado a la intemperie o se ha caído al agua, devuélvala a un centro de servicio independiente o llame a servicio al cliente.
- Cuando utilice un cordón de extensión, utilice únicamente cordones con capacidad nominal para uso a la intemperie que estén en buenas condiciones. No deje que la conexión entre en contacto con líquido.
- No recoja con la aspiradora materiales tóxicos, para reducir el riesgo de inhalar los vapores o el polvo.

## Enchufe polarizado

Para reducir el riesgo de sacudidas eléctricas, este aparato electrodoméstico tiene un enchufe polarizado (una hoja es más ancha que la otra). Este enchufe entrará en un tomacorriente polarizado solamente de una manera. Si el enchufe no entra por completo en el tomacorriente, déle la vuelta. Si sigue sin entrar, póngase en contacto con un electricista competente para instalar el tomacorriente adecuado. No haga ningún tipo de cambio en el enchufe.

Después de enchufar el cordón de energía en el tomacorriente, encienda la unidad empujando el interruptor de la posición "O" a la posición "I". Los símbolos utilizados en el accionador del interruptor son los símbolos internacionales de "encendido y apagado". "O" es el símbolo de "APAGADO" y "I" es el símbolo de "ENCENDIDO".

 = APAGADO |  = ENCENDIDO

## Recogida de materiales secos con la aspiradora

1. El filtro debe estar siempre en la posición correcta para reducir el riesgo de fugas y posibles daños a la aspiradora.
2. Cuando utilice la aspiradora para recoger polvo muy fino, será necesario que usted vacíe el tambor y limpie el filtro a intervalos más frecuentes para mantener el máximo rendimiento de la aspiradora.

**NOTA:** Se necesita un filtro para medios secos para recoger material seco. Si utiliza la aspiradora para recoger polvo cuando el filtro esté mojado, éste se taponará rápidamente y será muy difícil limpiarlo.

El filtro opcional Craftsman para materiales con calificación HEPA (filtro de aire de alta eficiencia para partículas), número de existencias 17912, hará un mejor trabajo a la hora de atrapar las partículas muy finas que el filtro 17816.

## Funcionamiento (continuación)

---

### Recogida de líquidos con la aspiradora

**⚠ ADVERTENCIA:** No utilice la aspiradora sin la jaula del filtro y el flotador, ya que estas piezas evitan que entre líquido en el impulsor y dañe el motor.

1. Cuando recoja cantidades pequeñas de líquido, se podrá dejar colocado el filtro en la aspiradora.
2. Cuando recoja cantidades grandes de líquido, recomendamos quitar el filtro. Si no se quita el filtro, éste se saturará y es posible que aparezca niebla en el escape.
3. Después de utilizar la aspiradora para recoger líquidos, se debe secar el filtro para evitar una posible formación de moho y posibles daños al filtro.
4. Cuando el líquido contenido en el tambor de la aspiradora alcance un nivel predeterminado, el mecanismo de flotador subirá automáticamente para cortar la circulación de aire. Cuando esto ocurra, apague la aspiradora, desenchufe el cordón de energía y vacíe el tambor. Sabrá que el flotador ha cortado la circulación de aire porque la succión cesará y el ruido del motor alcanzará una frecuencia más alta debido al aumento de la velocidad del motor.

**IMPORTANTE:** Para reducir el riesgo de dañar la aspiradora, no haga funcionar el motor con el flotador en la posición subida.

### Vaciado del tambor

1. Quite el ensamblaje del motor. Empuje hacia abajo las lengüetas de fijación flexibles y tire de ellas hacia fuera para soltarlas del tambor.
2. Mientras sujeta hacia fuera las lengüetas de fijación, levante el ensamblaje del motor alejándolo del tambor.
3. Ponga el ensamblaje del motor en posición invertida en una superficie limpia mientras vacía el tambor.
4. Tire el contenido del tambor en el recipiente de eliminación de residuos apropiado.
5. La aspiradora viene equipada con un drenaje para vaciar fácilmente los líquidos. Simplemente desenrosque la tapa del drenaje y levante ligeramente el lado opuesto para vaciar el tambor.

**⚠ ADVERTENCIA:** Para reducir el riesgo de lesiones en la espalda o de caídas, no levante una aspiradora que pese mucho debido a que contiene líquido o residuos. Saque o vierta bastante contenido para hacer que la aspiradora sea lo suficientemente liviana como para poder levantarla cómodamente.

## Funcionamiento (continuación)

### Dispositivo de soplado

La aspiradora cuenta con un orificio de soplado. Este dispositivo puede soplar aserrín y otros residuos. Siga los pasos que se indican a continuación para utilizar la aspiradora como soplador.

1. Localice el orificio de soplado de la aspiradora.

**⚠ ADVERTENCIA:** Use siempre protectores oculares de seguridad que cumplan con la norma ANSI Z87.1 (o en Canadá, con la norma CSA Z94.3) antes de utilizar la aspiradora como soplador.

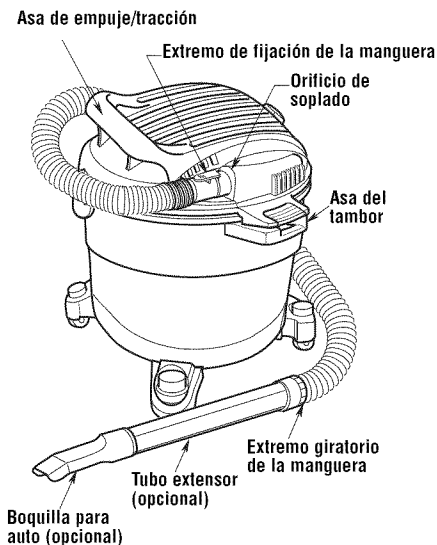
**⚠ ADVERTENCIA:** Para reducir el riesgo de lesiones a las personas que estén presentes, manténgalas alejadas de los residuos soplados.

**⚠ PRECAUCIÓN:** Use una máscara antipolvo si el soplado genera polvo que podría ser inhalado.

**⚠ PRECAUCIÓN:** Para reducir el riesgo de daños a la audición, use protectores de oídos cuando utilice la aspiradora/soplador durante muchas horas seguidas o cuando la utilice en un área ruidosa.

2. Introduzca el extremo de fijación de la manguera "Pos-I-Lock<sup>®</sup>" en el orificio de soplado de la aspiradora. La manguera debería acoplarse a presión en su sitio. Para quitar la manguera de la aspiradora, oprima el botón de liberación ubicado en el ensamblaje de la manguera y tire de la manguera hasta sacarla de la entrada de la aspiradora.
3. (Opcional) Acople un tubo extensor en el extremo opuesto de la manguera.
4. Encienda la aspiradora y estará listo para utilizarla como soplador.

Los accesorios Craftsman recomendados se pueden conseguir en las tiendas minoristas Sears. La boquilla sopladora de 2-1/2 pulgadas Sears No. de existencias 16933 se recomienda para soplar residuos.



# Mantenimiento

## Filtro

**⚠ ADVERTENCIA:** Para reducir el riesgo de lesiones por causa de un arranque accidental, desenchufe el cordón de energía antes de cambiar o limpiar el filtro.

**NOTA:** Este filtro está hecho de papel de alta calidad diseñado para detener partículas de polvo muy pequeñas. El filtro se puede utilizar para recoger material mojado o seco. Maneje el filtro con cuidado cuando lo quite para limpiarlo o cuando lo instale. Es posible que se formen arrugas en los pliegues del filtro como resultado de la instalación, pero las arrugas no afectarán el rendimiento del filtro.

### Limpieza del filtro

El filtro se debe limpiar a menudo para mantener un rendimiento óptimo de la aspiradora.

Asegúrese de secar el filtro antes de guardar la aspiradora o de recoger residuos secos.

**IMPORTANTE:** Después de limpiar el filtro, compruebe si éste tiene desgarraduras o agujeros pequeños. No use un filtro que tenga agujeros o desgarraduras. Incluso un agujero pequeño puede hacer que salga mucho polvo de la aspiradora. Cámbielo inmediatamente.

### Remoción y reemplazo del filtro

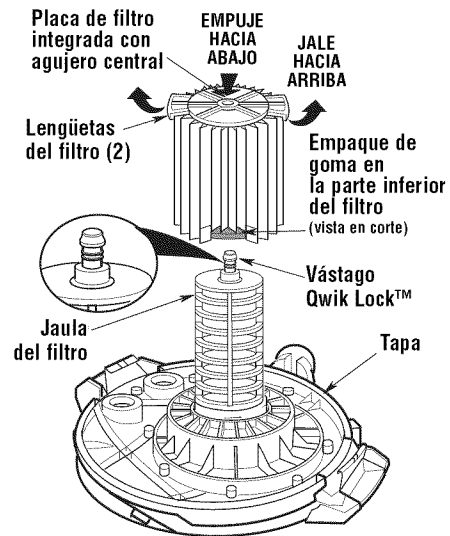
**IMPORTANTE:** Para evitar dañar la rueda del soplador, reinstale siempre el filtro antes de utilizar la aspiradora para recoger material seco.

#### Remoción del filtro:

1. Sostenga las lengüetas del filtro Qwik Lock™ en cada mano.
2. Con un dedo pulgar en el vástago Qwik Lock™, que sobresale a través de la placa del filtro integrada, levante las lengüetas del filtro a la vez que empuja hacia abajo sobre el vástago.
3. Esta acción hará que el filtro se suelte de la jaula del filtro. Deslice el filtro hasta retirarlo de la jaula.

#### Instalación del filtro:

1. Deslice cuidadosamente el filtro Qwik Lock™ sobre la jaula del filtro y presione hacia abajo sobre el borde exterior del filtro hasta que el empaque de goma ubicado en la parte inferior del filtro se asiente firmemente alrededor de la base de la jaula del filtro y contra la tapa.
2. Alinee el agujero central pequeño ubicado en la parte superior del filtro sobre el vástago Qwik Lock™ ubicado en la jaula del filtro. Presione firmemente sobre la parte de arriba del filtro cerca del vástago, para permitir que el filtro se acople a presión sobre la bola ubicada en el extremo del vástago. Una vez hecho esto, el filtro estará instalado.



**NOTA:** Si no se asienta apropiadamente el empaque inferior, el resultado podría ser que los residuos pasen por alto el filtro.



## Mantenimiento (continuación)

### Limpeza de un filtro seco

Se puede lograr un poco de remoción de residuos secos sin quitar el filtro de la aspiradora. Dé una palmada con la mano sobre la parte superior del ensamblaje del motor mientras la aspiradora está apagada.

Para obtener óptimos resultados de limpieza debido a la acumulación de polvo, limpie el filtro en un área abierta. La limpieza SE DEBE realizar al aire libre y no en el interior de la vivienda.

Después de quitar el filtro de la aspiradora, saque los residuos secos golpeando suavemente el filtro contra la pared interior del tambor para polvo. Los residuos se soltarán y caerán.

Para una limpieza a fondo del filtro seco con polvo fino (sin residuos), haga pasar agua a través del filtro tal como se describe bajo "Limpeza de un filtro mojado".

### Limpeza de un filtro mojado

Después de quitar el filtro, haga pasar agua a través de él usando una manguera o desde una espita. Tenga cuidado de que la presión del agua procedente de la manguera no sea tan fuerte como para dañar el filtro.

### Limpeza y desinfección de la aspiradora para mojado/seco

Para mantener el mejor aspecto posible de la aspiradora para mojado/seco, limpie su exterior con un paño humedecido con agua templada y un jabón suave.

Para limpiar el tambor:

1. Vacíe los residuos del tambor.
2. Lave a fondo el tambor con agua templada y un jabón suave.
3. Limpie el tambor con un paño seco.

Antes de un almacenamiento prolongado o según sea necesario (por ejemplo, si se recogen aguas residuales), se debe desinfectar el tambor.

Para desinfectar el tambor:

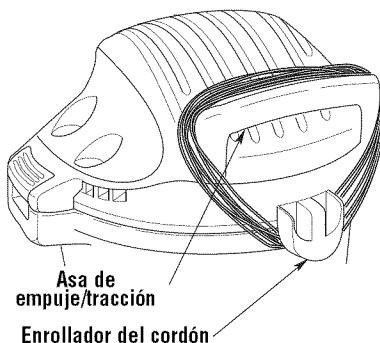
1. Eche 1 galón de agua y 1 cucharadita de blanqueador de cloro en el tambor.
2. Deje que la solución repose durante 20 minutos y agítela cuidadosamente cada pocos minutos, asegurándose de mojar todas las superficies interiores del tambor.
3. Vacíe el tambor después de 20 minutos. Enjuáguelo con agua hasta que el olor a blanqueador desaparezca. Deje que el tambor se seque completamente antes de sellar el motor sobre el tambor.

### Ruedecillas

Si las ruedecillas hacen ruido, puede poner una gota de aceite en el eje del rodillo para que hagan menos ruido.

### Almacenamiento

Antes de almacenar la aspiradora, se debe vaciar y limpiar el tambor para polvo. El cordón se debe enrollar alrededor del asa de empuje/tracción y el enrollador del cordón, tal y como se muestra en la ilustración, y la manguera se debe almacenar tal y como se describe en este manual. Los accesorios se deben mantener en la misma área que la aspiradora para que estén al alcance de la mano cuando se necesiten. La aspiradora se debe almacenar en interiores.



**⚠ ADVERTENCIA:** Para garantizar la SEGURIDAD y CONFIABILIDAD del producto, las reparaciones y el ajuste deben ser realizados por Centros de Servicio Sears, utilizando siempre piezas de repuesto Sears.

# Piezas de repuesto

**Aspiradora para mojado/seco**  
**de 12 galones                      0                      de 16 galones**  
**Número de modelo 113.177650                      Número de modelo 113.177611**  
**Pida siempre por número de pieza —no por número de clave**

## ▲ ADVERTENCIA

### SERVICIO DE AJUSTES Y REPARACIONES DE UNA ASPIRADORA CON AISLAMIENTO DOBLE

En una aspiradora para mojado/seco con aislamiento doble se proporcionan dos sistemas de aislamiento en vez de conexión a tierra. No se proporciona ningún medio de conexión a tierra en un aparato electrodoméstico con aislamiento doble, ni se debe añadir a éste ningún medio de conexión a tierra. El servicio de ajustes y reparaciones de una aspiradora para mojado/seco con aislamiento doble requiere sumo cuidado y conocimiento del sistema, y debe ser realizado únicamente por personal de servicio competente. Las piezas de repuesto para la aspiradora para mojado/seco con aislamiento doble deben ser idénticas a las piezas que reemplazan. La aspiradora para mojado/seco con aislamiento doble está marcada con las palabras "DOUBLE INSULATED" (con aislamiento doble) y puede que el símbolo  (un cuadrado dentro de un cuadrado) también esté marcado en los aparatos.

Para reducir el riesgo de lesiones por causa de una descarga eléctrica, desenchufe el cordón de energía antes de realizar servicio de ajustes y reparaciones de las piezas eléctricas de la aspiradora para mojado/seco.

No. de clave	12 galones No. de pieza	16 galones No. de pieza	Descripción
1	828952	828952	Accionador del interruptor
2	73180	73180	Interruptor de palanca
3	829971-12	829971-13	Cubierta con etiquetas
4	830275	830275	Conducto de escape
5	829693	829693-1	Motor (incluye los Nos. de clave 11 a 14)
6	819260-13	819260-13	Ensamblaje de hilos conductores
7	829718-5	829718-5	Cordón con terminales
8	509819	509819	Ensamblaje de la tapa
9	820563-4	820563-4	Tornillo de cabeza troncocónica de tipo "AB" 10 x 3/4 de cabeza serrada
10	818961	818961	Separador
11	818413-2	818413-2	Rueda del soplador
12	315534-1	315534-1	Arandela
13	826817	826817	Tuerca hexagonal con pestaña 5/16-18
14	820563-5	820563-5	Tornillo de cabeza troncocónica de tipo "AB" 10 x 1-1/4 de cabeza serrada
15	829692-1	829692-1	Colector
16	823201-2	823201-2	Ensamblaje de la jaula del filtro
17	17816	17816	† Filtro
18	829971-15	830502	Tambor (incluye el No. de clave 19)
19	73185	73185	Tapa del drenaje
20	828460	828460	Pie de ruedecilla con área de almacenamiento
21	73102	73102	Ruedecilla
22	16922	16922	† Boquilla utilitaria
23	16978	16978	† Boquilla para auto
24	17817	17817	† Boquilla para mojado
25	822256	822256	Boquilla barredora de goma
26	17854	17854	† Tubos extensores
27	16928	16928	† Manguera Pos-I-Lock®
28	SP6741	SP6741	Manual del usuario

† Artículo de existencias. Se puede obtener a través del departamento de ferretería de la mayoría de las tiendas minoristas Sears.

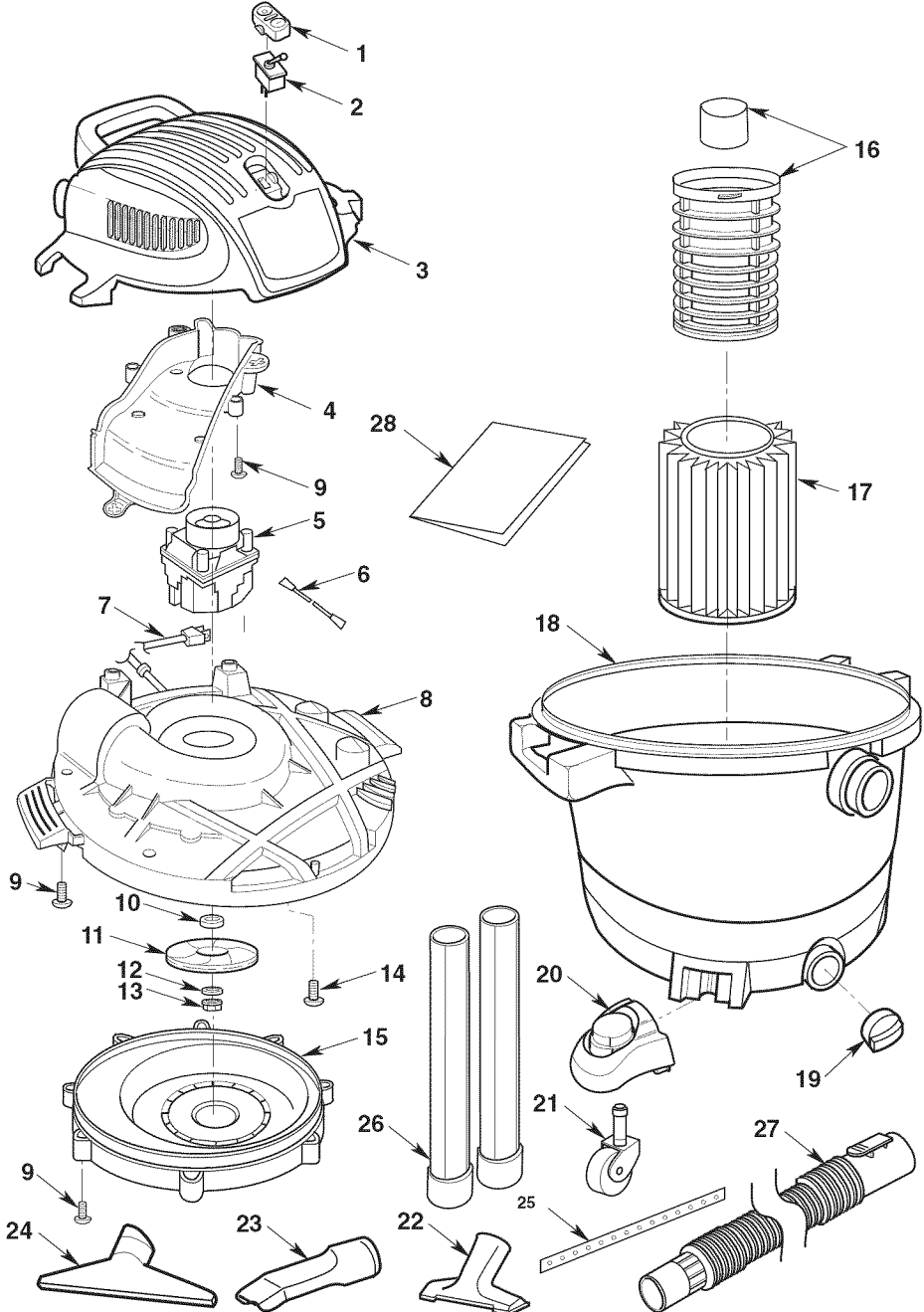
# Piezas de repuesto

Aspiradora para mojado/seco

De 12 galones  
Número de modelo 113.177650

Ó

De 16 galones  
Número de modelo 113.177611



# Get it fixed, at your home or ours!

## Your Home

For expert troubleshooting and home solutions advice:

**manage  home**

[www.managemyhome.com](http://www.managemyhome.com)

For repair – **in your home** – of **all** major brand appliances, lawn and garden equipment, or heating and cooling systems, **no matter who made it, no matter who sold it!**

For the replacement parts, accessories and owner's manuals that you need to do-it-yourself.

For Sears professional installation of home appliances and items like garage door openers and water heaters.

**1-800-4-MY-HOME®**

(1-800-469-4663)

[www.sears.com](http://www.sears.com)

Call anytime, day or night

(U.S.A. and Canada)

[www.sears.ca](http://www.sears.ca)

## Our Home

For repair of carry-in items like vacuums, lawn equipment, and electronics, call anytime for the locations of the nearest

**Sears Parts & Repair Service Center**

**1-800-488-1222** (U.S.A.)

[www.sears.com](http://www.sears.com)

**1-800-469-4663** (Canada)

[www.sears.ca](http://www.sears.ca)

To purchase a protection agreement on a product serviced by Sears:

**1-800-827-6655** (U.S.A.)

**1-800-361-6665** (Canada)

Para pedir servicio de reparación a domicilio, y para ordenar piezas:

**1-888-SU-HOGAR®**

(1-888-784-6427)

Au Canada pour service en français:

**1-800-LE-FOYER<sup>MC</sup>**

(1-800-533-6937)

[www.sears.ca](http://www.sears.ca)



© Sears Brands, LLC

® Registered Trademark / ™ Trademark / ™ Service Mark of Sears Brands, LLC

© Marca Registrada / ™ Marca de Fábrica / ™ Marca de Servicio de Sears Brands, LLC

<sup>MC</sup> Marque de commerce / <sup>MD</sup> Marque déposée de Sears Brands, LLC