

Models
KGCT365E
YKGCT365E
KGCT305E
YKGCT305E

USE & CARE GUIDE

KitchenAid[®]

Gas Sealed Burner Glass Cooktop

A Note to You	2
Cooktop Safety	3-5
Getting to Know Your Cooktop	6
Using Your Cooktop	8
Caring for Your Cooktop	11
Troubleshooting	14
Requesting Assistance or Service	15
Index	19
Warranty	20

In the U.S.A. for assistance or
service, call the Consumer
Assistance Center.

1-800-422-1230

In Canada for assistance or
service, see page 16.

PART NO. 3190960

9196

A NOTE TO YOU

Thank you for buying a KITCHENAID* appliance!

KitchenAid designs the best tools for the most important room in your house. To ensure that you enjoy many years of trouble-free operation, we developed this Use and Care Guide. It contains valuable information concerning how to operate and maintain your new appliance properly and safely. Please read it carefully.

Also, please complete and mail the enclosed Product Registration Card.

If you need assistance or service, first see the "Troubleshooting" section of this book. After checking "Troubleshooting," additional help can be found by checking the "Requesting Assistance or Service" section.

When calling, you will need to know your appliance's complete model number and serial number. You can find this information on the model and serial number label (see diagrams on pages 6 and 7).

Keep this book and the sales slip together in a safe place for future reference. **You must provide proof of purchase or installation date for in-warranty service.**

Model Number _____	Builder/Dealer Name _____
Serial Number _____	Address _____
Date Installed _____	Phone _____

COOKTOP SAFETY

Your safety is important to us.

This guide contains safety statements under warning symbols. Please pay special attention to these symbols and follow any instructions given. Here is a brief explanation of the use of the symbol.



This symbol alerts you to hazards such as fire, electrical shock, or other injuries.

IMPORTANT SAFETY INSTRUCTIONS **READ AND SAVE THESE INSTRUCTIONS**

Gas cooktops have been thoroughly tested for safe and efficient operation. However, as with any appliance, there are specific installation and safety precautions which must be followed to ensure safe and satisfactory operation.

WARNING: If the information in this manual is not followed exactly, a fire or explosion may result causing property damage, personal injury or death.

- Do not store or use gasoline or other flammable vapors and liquids in the vicinity of this or any other appliance.
- **WHAT TO DO IF YOU SMELL GAS:**
 - Do not try to light any appliance.
 - Do not touch any electrical switch; do not use any phone in your building.
 - Immediately call your gas supplier from a neighbor's phone. Follow the gas supplier's instructions.
 - If you cannot reach your gas supplier, call the fire department.
- Installation and service must be performed by a qualified installer, service agency or the gas supplier.

continued on next page

COOKTOP SAFETY

General

- Install or locate the cooktop only in accordance with the provided Installation Instructions. The cooktop must be installed by a qualified installer. The cooktop must be properly connected to the proper gas supply and checked for leaks. The cooktop must also be properly connected to the electrical supply and grounded.
- Gas fuels and their use in appliances can cause minor exposures to benzene, formaldehyde, carbon monoxide, and soot, primarily from incomplete combustion. Significant exposure to these substances could cause cancer or reproductive harm. Properly adjusted burners with a blue, rather than a yellow, flame will minimize incomplete combustion. Venting with a hood or an open window will further minimize exposure.
- Do not store things children might want above the cooktop. Children could be burned or injured while climbing on it.
- Do not leave children alone or unattended in the area where the cooktop is in use. They should never be allowed to sit or stand on any part of the cooktop. They could be burned or injured.
- Do not operate the cooktop if it is damaged or not working properly.
- Do not use the cooktop for warming or heating the room. Persons could be burned or injured, or a fire could start.
- Use the cooktop only for its intended use as described in this manual.



- Do not touch surface burners or areas near surface burners. Areas near surface burners become hot enough to cause burns. During and after use, do not touch, or let clothing or other flammable materials contact surface burners or areas near surface burners until they have had sufficient time to cool.



- Do not wear loose or hanging garments when using the cooktop. They could ignite if they touch an open flame and you could be burned.
- Use only dry pot holders. Moist or damp pot holders on hot surfaces could result in burns from steam. Do not let pot holder touch an open flame. Do not use a towel or bulky cloth for a pot holder. It could catch on fire.
- Do not heat unopened containers. They could explode. The hot contents could cause burns and container particles could cause injury.
- Do not store flammable materials on or near the cooktop. The fumes could create an explosion and/or fire hazard.
- Never use a match or other flame to look for a gas leak. Explosion and injury could result.
- Know where your main gas shutoff valve is located.

When using the cooktop

- Make sure the cookware you use is large enough to contain food and avoid boilovers and spillovers. Heavy splattering or spillovers left on a cooktop could ignite and burn you. Pan size is especially important in deep fat frying.
- Check to be sure glass cookware is safe for use on the cooktop. Only certain types of glass, glass-ceramic, ceramic, earthenware, or other glazed cookware are suitable for cooktops without breaking due to the sudden change in temperature.
- Never leave surface burners unattended at high heat settings. A boilover could result and cause smoking and greasy spillovers that could ignite.



- Turn pan handles inward, but not over other surface burners. This will help reduce the chance of burns, igniting of flammable materials, and spills due to bumping of the pan.
- Do not use decorative covers or trivets over the surface burners.

COOKTOP SAFETY

Grease

- Grease is flammable. Do not allow grease to collect around cooktop. Wipe spillovers immediately.



- Do not use water on grease fires. Never pick up a flaming pan. Smother flaming pan by covering with a well-fitting lid, cookie sheet, or flat tray. Flaming grease outside of pan can be extinguished with baking soda or, if available, a multipurpose dry chemical or foam-type extinguisher.

Care and cleaning

- Do not repair or replace any part of the cooktop unless specifically recommended in this manual. All other servicing should be referred to a qualified technician.
- Any additions, changes, or conversions required in order for this appliance to satisfactorily meet the application needs must be made by a KitchenAid service company or Qualified Agency.
- Disconnect the electrical supply and the gas supply at the shutoff valve near the cooktop before servicing the cooktop.

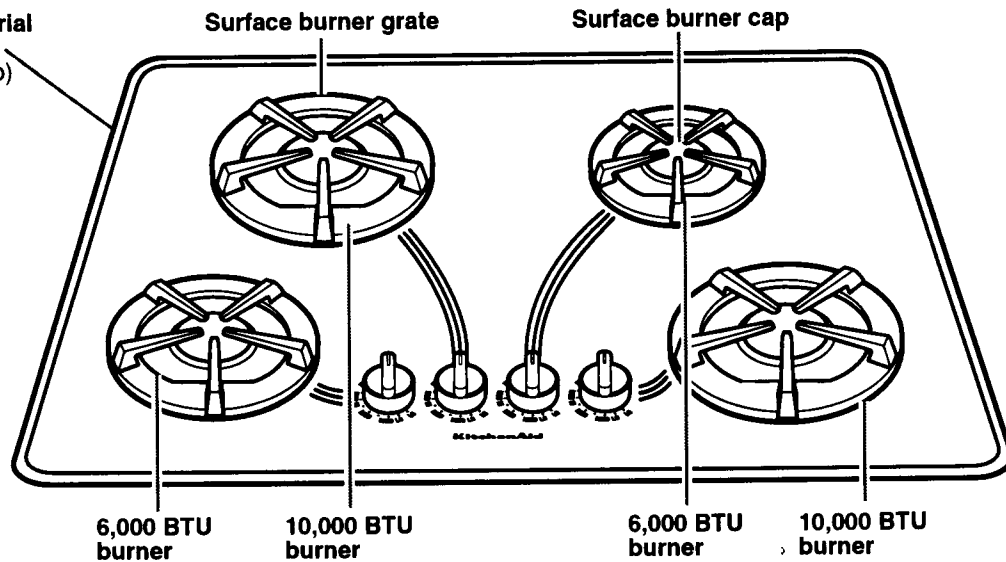
– SAVE THESE INSTRUCTIONS –

GETTING TO KNOW YOUR COOKTOP

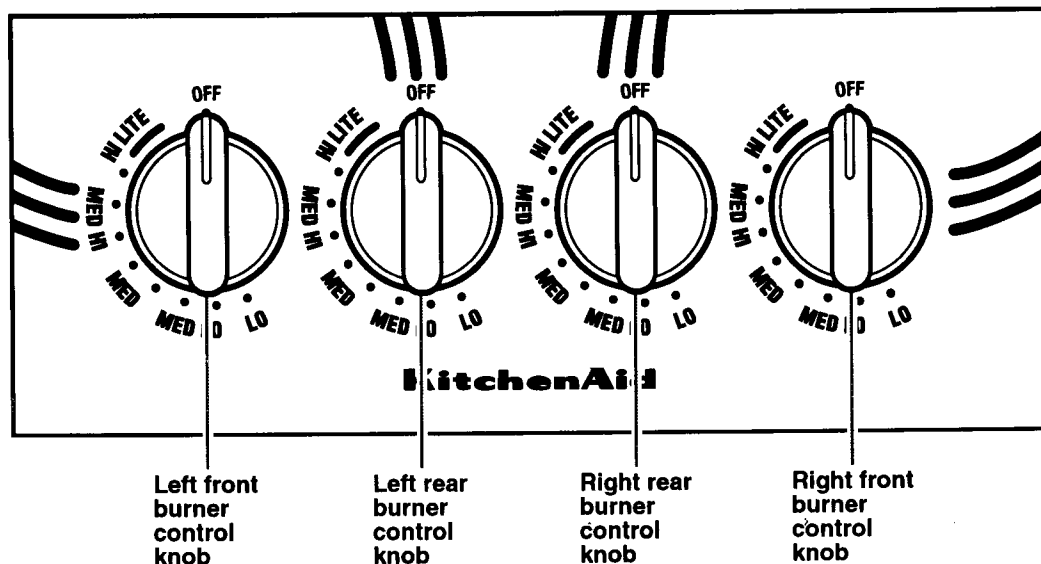
This section contains captioned pictures of your cooktop. Use them to learn where all parts and features are and what they look like. Use the page references to help you quickly find out more about the part or feature you are interested in.

Models **KGCT365E (36 inch/91.4 cm)**
YKGCT365E (36 inch/91.4 cm)

Model and serial number plate (under cooktop)



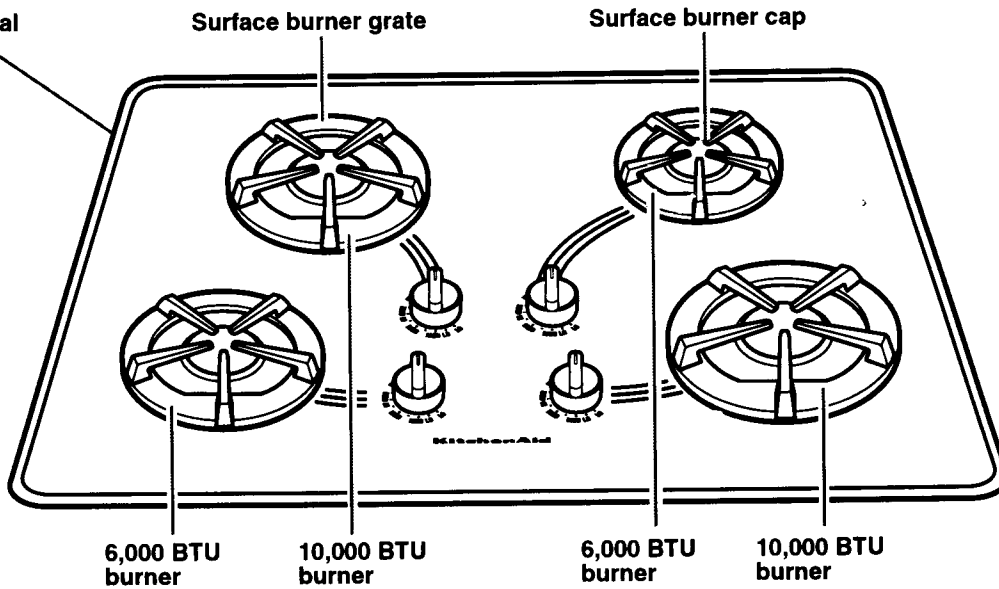
Control panel



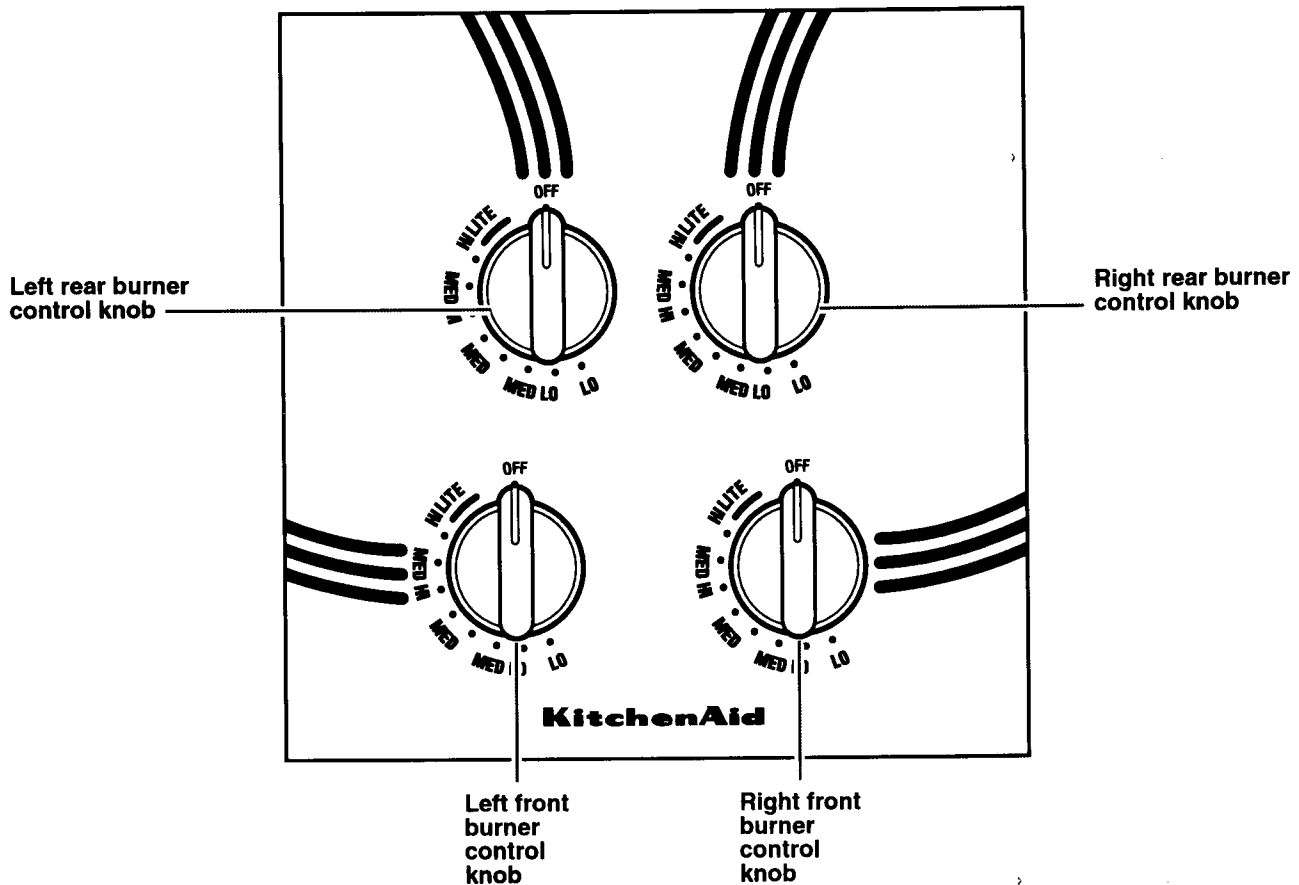
GETTING TO KNOW YOUR COOKTOP

Models **KGCT305E (30 inch/76.2 cm)**
YKGCT305E (30 inch/76.2 cm)

Model and serial
number plate
(under cooktop)



Control panel



USING YOUR COOKTOP

To get the best cooking results, you should use your cooktop the correct way. This section tells you what you need to know to use your cooktop safely and efficiently.

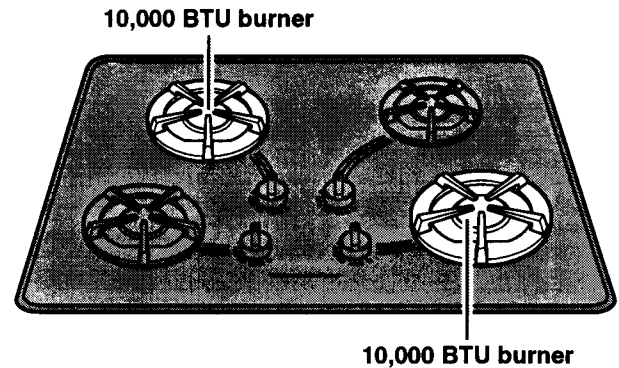
Using the surface burners

Your cooktop has sealed gas burners with an electric ignition system. The sealed burners spread the heat evenly across the bottom of the cookware and provide infinite heat control.

IMPORTANT: Your cooktop is factory-set for use with Natural Gas. If you wish to use L.P. gas, L.P. Gas Conversion Kit No. 4173627 is available from your authorized KitchenAid service technician. The conversion must be done by a qualified service technician.

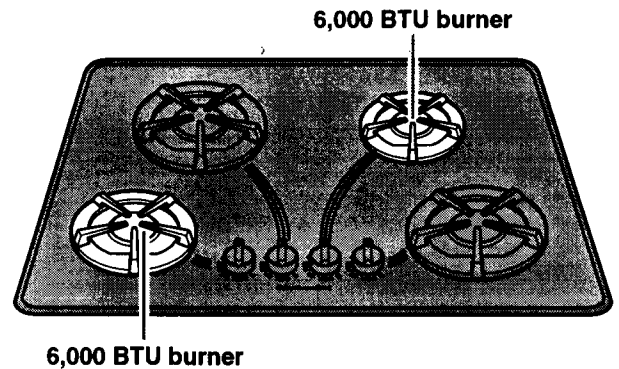
When to use the left rear and right front burners:

Use these burners for cooking large quantities of food, deep-fat frying or cooking with large cookware.



When to use the left front and right rear burners:

Use these burners for simmering or for cooking smaller quantities of food requiring small cookware.



USING YOUR COOKTOP

Using the surface burners (cont.)

⚠ WARNING

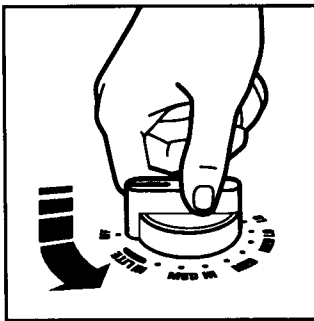
Carbon Monoxide Poisoning Hazard

Do not operate with a yellow flame.

Doing so can result in death, heart attack, or convulsions.

Using the control knobs

- Push in the control knob and turn it to the LITE position. The clicking sound is the ignitor sparking. **Visually check that the burner has lit.**
 - After the burner lights, turn the control knob to the desired setting. You can set the control knob anywhere between the high and low settings.



NOTES:

- The ignitors may click a number of times before the burner lights. This is normal.
- All four burner ignitors will spark no matter which burner you are using.
- Check the burner to see if it has lit. If the burner does not ignite, listen for the clicking sound. If you do not hear the ignitor click, turn the burner off. Check that the service cord is placed firmly in the wall receptacle. Check for a tripped circuit breaker or blown fuse.

Check that the control knob is pressed completely down on the valve shaft. **If the spark ignitor still fails to operate, call your nearest authorized KitchenAid servicer in the U.S.A. or Canada.**

Proper grounding is necessary for the electrical system to work correctly. A qualified electrician should check the wall receptacle to see if it is grounded correctly.

⚠ WARNING



Fire Hazard

Do not let the burner flame extend beyond the edge of the pan.

Turn off all controls when not cooking.

Failure to follow these instructions can result in death, fire, or burns.

NOTE: Do not leave empty cookware, or cookware which has boiled dry, on a hot surface burner. The cookware could overheat and damage the cookware or cooking product.

Burner heat settings

Use the following chart as a guide.

SETTING	RECOMMENDED USE
LITE	<ul style="list-style-type: none">• To light the burner.
HI	<ul style="list-style-type: none">• To start foods cooking.• To bring liquids to a boil.
Medium High	<ul style="list-style-type: none">• To hold a rapid boil.• To fry chicken or pancakes.
MED	<ul style="list-style-type: none">• For gravy, pudding, and icing.• To cook large amounts of vegetables.
Medium Low	<ul style="list-style-type: none">• To keep food cooking after starting it on a higher setting.
LO	<ul style="list-style-type: none">• To keep food warm until it's ready to serve.

Energy saving tips

- To help shorten your cooking time, use the least amount of liquid possible.
- Preheat your pans only when recommended and for the shortest time possible.
- Start your food on a higher heat setting, then turn the control to a lower setting to finish cooking.
- Place a filled pan on the burner grate before turning on the surface burner.

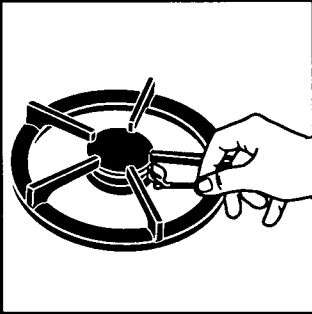
USING YOUR COOKTOP

Using the surface burners (cont.)

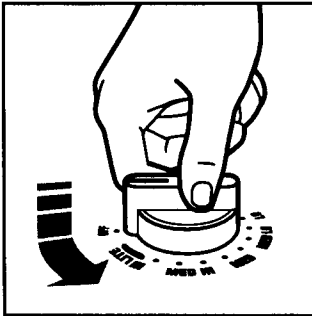
In case of a prolonged power failure

Surface burners can be manually lighted.

- Hold a lit match near a burner and turn the control knob to the HI position.



- After the burner lights, turn the control knob to the desired setting.

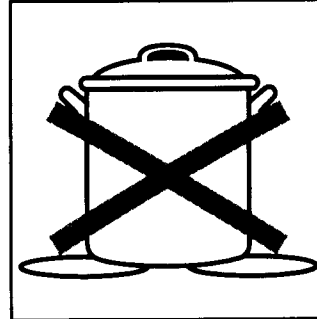


Home canning information

The large diameter of most water-bath or pressure canners combined with high heat settings for long periods of time can cause damage to the cooktop.

To protect your cooktop:

- For best results, use a canner which can be centered over the surface burner.
- Do not place your canner on 2 surface burners at the same time. Too much heat will build up and will damage the cooktop.



- Start with hot water. This reduces the time the control is set on high. Reduce the heat setting to the lowest position needed to keep the water boiling.

- Refer to your canner manual for specific instructions.

Cookware tips

- The pan should have a flat bottom, straight sides, and a well-fitting lid.
- Choose medium to heavy gauge (thickness) cookware.
- The pan material (metal or glass) affects how quickly and evenly the pan heats.
- When using glass or ceramic cookware, check to make sure it is suitable for use on surface burners.
- To avoid tipping, make sure pots and pans are centered on the grates.

CARING FOR YOUR COOKTOP

Your cooktop is designed so you can care for it easily. You can do most cleaning with items found around your home. Cleaning your cooktop whenever spills or soiling occurs will help to keep it looking and working like new.



⚠ WARNING

Explosion Hazard

Do not store flammable materials such as gasoline near this appliance. Doing so can result in death, explosion, fire, or burns.

Cleaning chart

Use this chart to get specific information on cleaning your cooktop. **Before cleaning, always make sure all controls are off and the cooktop is cool.**

PART	HOW TO CLEAN
Control knobs	<ul style="list-style-type: none">• Turn the knobs off and pull them straight away from the control panel.• Wash the knobs with a sponge and warm, soapy water. Rinse and dry them well. Do not soak them. Do not use steel wool or gritty cleansers, which can damage the finish of the knobs.• Replace the knobs. Make sure all knobs are turned off.
Surface burner grates	<ul style="list-style-type: none">• Wash the grates with a nonabrasive plastic scrubbing pad and warm, soapy water. Rinse and dry well. For stubborn stains, clean with a scrubbing pad and/or a powdered cleanser and water. Repeat these cleaning steps as needed.
Surface burners and caps	<ul style="list-style-type: none">• See pages 12 and 13 for cleaning instructions.
Tempered glass surface	<ul style="list-style-type: none">• Remove the grates.• Wash the surface with a sponge and warm, soapy water or paper towel and spray glass cleaner. Wipe with clean water and dry thoroughly. Use a nonabrasive, plastic scrubbing pad on heavily soiled areas.• Do not use steel wool, abrasives, or harsh cleansers. They may damage the finish.• If you use soap or detergent solutions, wipe thoroughly to prevent filmy residue. <p>NOTE: When cleaning the cooktop with knobs removed, DO NOT allow water to run down inside the cooktop.</p> <ul style="list-style-type: none">• Replace the grates.



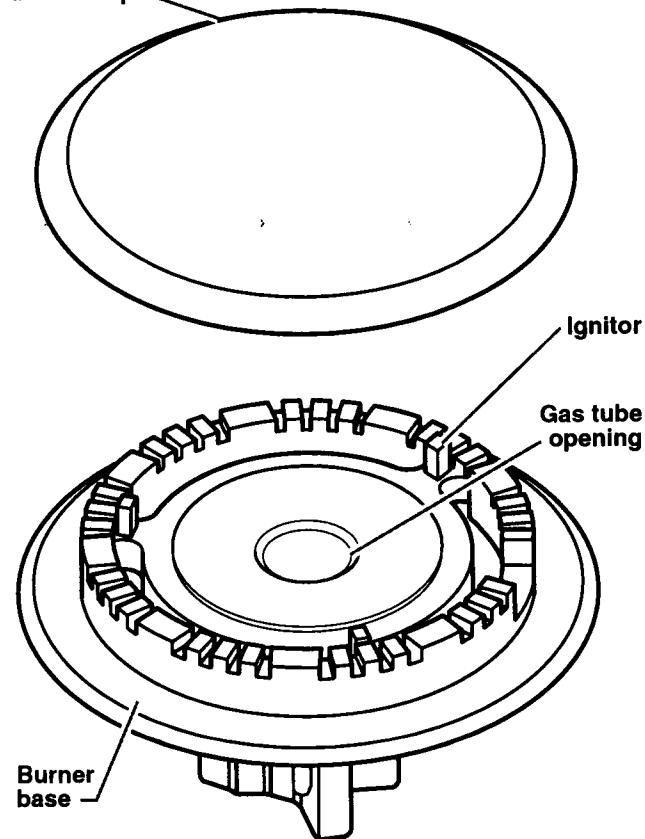
CARING FOR YOUR COOKTOP

Sealed surface burners and cooktop

Cleaning the surface burners

- You should routinely remove and clean the burner caps. Always clean the burner caps after a spillover. Keeping the burner caps clean prevents improper ignition and an uneven flame.
- For the proper flow of gas and ignition of the burner, **DO NOT ALLOW SPILLS, FOOD, CLEANING AGENTS, OR ANY OTHER MATERIAL TO ENTER THE GAS TUBE OPENING.**
- Gas must flow freely through the gas tube opening for the burner to light properly. You must keep this area free of any soil and protect it from boilovers or spillovers. **ALWAYS** keep the burner cap in place whenever a surface burner is in use.
- Let the cooktop cool before cleaning.
- Do not use oven cleaners, bleach, or rust removers.
- Do not obstruct the flow of combustion and ventilation air.
- If the knobs are removed while cleaning, be careful not to spill liquids through the holes in the control area.
- Be careful not to allow moisture to collect in the control area. Moisture can cause the ignitor switches to fail.

Cast-iron burner cap



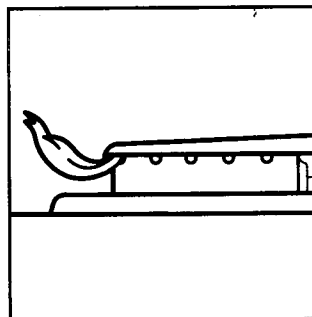
⚠ WARNING

Carbon Monoxide Poisoning Hazard

Do not operate with a yellow flame.

Doing so can result in death, heart attack, or convulsions.

- Occasionally check the burner flames for proper size and shape as shown.



size and shape as shown. A good flame is blue in color. If the flames are uneven, you may need to clean the burners.

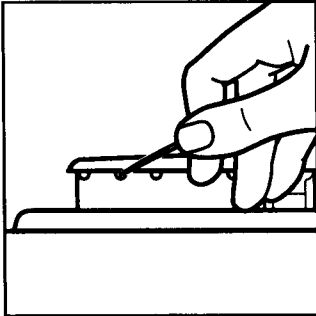
CARING FOR YOUR COOKTOP

Sealed surface burners and cooktop (cont.)

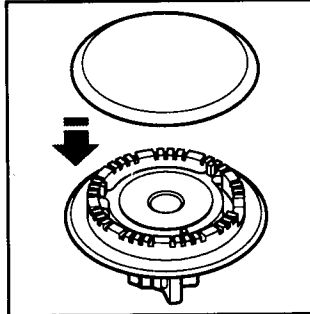
To clean the burners:

1. Pull the burner caps straight up from the burner base.
2. Clean the burner caps with warm, soapy water and a sponge. You can also clean the caps with a nonabrasive scrubbing pad or cleanser. Do not clean the burner caps in a dishwasher or self-cleaning oven.
3. If the gas tube opening has become soiled or clogged, use a cotton swab or a soft cloth to clean the area.

4. **If the ports are clogged, clean them with a straight pin. Do not enlarge or distort the port. Do not use a wooden toothpick.** If the burner needs to be adjusted, call a qualified technician for service.



5. After cleaning the gas tube opening and ports, replace the burner caps. To replace the burner caps, make sure the alignment pins are properly aligned with the burner base.



6. Turn on the burner to see if it will light. If the burner does not light after you have cleaned it, contact an authorized KitchenAid service technician. Do not service the sealed burner yourself.

TROUBLESHOOTING

Most cooking problems often are caused by little things you can find and fix without tools of any kind. Check the lists below before calling for assistance or service. If you still need help, see "Requesting Assistance or Service" on page 15 or 16.

Cooktop does not work

PROBLEM	CAUSE
Nothing works	<ul style="list-style-type: none">• The cooktop is not wired into a live circuit with proper voltage.• The cooktop is not properly connected to the gas supply. Contact an authorized KitchenAid service technician to reconnect the cooktop to the gas supply. (See the Installation Instructions.)• You have blown a household fuse or tripped a circuit breaker.• The control knob is not set correctly. Push in the control knobs before turning them.

Surface burners

PROBLEM	CAUSE
The burner fails to light	<ul style="list-style-type: none">• You have blown a household fuse or tripped a circuit breaker.• The burner ports may be clogged. Clean them with a straight pin. (See page 13.)
The burner flames are uneven	<ul style="list-style-type: none">• The burner ports may be clogged. Clean them with a straight pin. (See page 13.)
The burner flames lift off the ports, are yellow, or are noisy when turned off	<ul style="list-style-type: none">• The burner needs cleaning. (See page 13.)• The air/gas mixture is incorrect. Contact an authorized KitchenAid service technician to check the air/gas mixture or see the Installation Instructions.
The burner makes a popping noise when on	<ul style="list-style-type: none">• The burner is wet from washing. Let it dry.

Cooking results

PROBLEM	CAUSE
Cooking results are not what you expected	<ul style="list-style-type: none">• The recipe you are using may need to be altered to improve the taste or appearance of the food.• You are using a pan that is not the correct type or size. Refer to a reliable cookbook or recipe for the recommended pan type and size.• The flame size does not fit the cookware being used.• The flow of combustion and/or ventilation air to the cooktop is blocked.• The cooktop is not level. (See the Installation Instructions.)

REQUESTING ASSISTANCE OR SERVICE

Before calling for assistance or service, please check "Troubleshooting" on page 14. It may save you the cost of a service call. If you still need help, follow these instructions.

If you need assistance or service in the U.S.A. ...

Call the KitchenAid Consumer Assistance



Center toll free:
1-800-422-1230.

When calling:

Please know the purchase date, and the complete model and serial number of your appliance (see page 2). This information will help us to better respond to your request.

Our consultants provide assistance with:

- Features and specifications on our full line of appliances.
- Installation information.
- Use and maintenance procedures.

- Accessory and repair parts sales.
- Do-it-yourself repair help.
- Specialized customer assistance (Spanish speaking, hearing impaired, limited vision, etc.).
- Referrals to local dealers, service companies, and repair parts distributors.

KitchenAid service technicians are trained to fulfill the product warranty and provide after-warranty service, anywhere in the United States.

To locate the authorized KitchenAid service company in your area, you can also look in your telephone directory Yellow Pages.

If you need replacement parts ...

If you need to order replacement parts, we recommend that you only use factory authorized parts. These parts will fit right and work right, because they are made with the same precision used to

build every new KITCHENAID* appliance. To locate factory authorized replacement parts in your area, call our Consumer Assistance Center telephone number or your nearest authorized service center.

For further assistance ...

If you need further assistance, you can write to KitchenAid with any questions or concerns at:

KitchenAid Brand Home Appliances
Consumer Assistance Center
c/o Correspondence Dept.
2000 North M-63
Benton Harbor, MI 49022-2692

Please include a daytime phone number in your correspondence.

If the dealer, authorized servicer, and KitchenAid have failed to resolve your problem, you can contact the Major Appliance Consumer Action Program (MACAP). MACAP is a group of independent consumer experts that voices consumer views at the highest levels of the major appliance industry. MACAP will in turn inform us of your action.

Major Appliance Consumer Action Program
20 North Wacker Drive
Chicago, IL 60606

REQUESTING ASSISTANCE OR SERVICE

Before calling for assistance or service, please check the "Troubleshooting" section. It may save you the cost of a service call. If you still need help, follow the instructions below.

If you need assistance or service in Canada

1. If the problem is not due to one of the items listed in "Troubleshooting"†...

Contact the dealer from whom you purchased your appliance, or call the KitchenAid Canada Consumer Assistance Centre toll free, **8:30 a.m. – 6 p.m. (EST)**, at **1-800-461-5681**.



Please include a daytime phone number in your correspondence.

2. If you need service†...

Contact your nearest KitchenAid Canada Appliance Service branch or authorized servicing outlet to service your appliance. (See list below.)

† When asking for assistance or service, please provide a detailed description of the problem, your appliance's complete model and serial numbers, and the purchase date. (See page 2.) This information will help us respond properly to your request.

KitchenAid Canada Appliance Service – Consumer Services

Direct service branches:

BRITISH COLUMBIA		1-800-665-6788
ALBERTA		1-800-661-6291
ONTARIO (except 807 area code)	Ottawa area Outside the Ottawa area	1-800-267-3456 1-800-807-6777
MANITOBA, SASKATCHEWAN and 807 area code in ONTARIO		1-800-665-1683
QUEBEC	Montreal (except South Shore) South Shore Montreal Quebec City Sherbrooke	1-800-361-3032 1-800-361-0950 1-800-463-1523 1-800-567-6966
ATLANTIC PROVINCES		1-800-565-1598

For further assistance

If you need further assistance, you can write to KitchenAid Canada with any questions or concerns at:

Consumer Relations Department
KitchenAid Canada
1901 Minnesota Court
Mississauga, Ontario L5N 3A7

Please include a daytime phone number in your correspondence.

INDEX

This index is alphabetical. It contains all the topics included in this manual, along with the page(s) on which you can find each topic.

TOPIC	PAGE	TOPIC	PAGE
ASSISTANCE	15-16	SAFETY	3-5
CLEANING		SERVICE	15-16
Control knobs	11	SURFACE BURNERS	
Surface burner grates	11	Control knobs	9
Surface burners and caps	12-13	Control setting guide	9
Tempered glass surface	11	Tips	9
CONTROL PANEL		TIPS	
Control knobs	6-7	Cookware tips	10
COOKWARE		Energy saving tips	9
Canning	10	TROUBLESHOOTING	14
Tips	10	WARRANTY	20
FEATURES	6-7		

GAS COOKTOP WARRANTY

LENGTH OF WARRANTY:	KITCHENAID WILL PAY FOR:	KITCHENAID WILL NOT PAY FOR:
ONE-YEAR FULL WARRANTY FROM DATE OF INSTALLATION.	Replacement parts and repair labor costs to correct defects in materials or workmanship. Service must be provided by an authorized KitchenAid servicing outlet.	A. Service calls to: <ol style="list-style-type: none"> 1. Correct the installation of the cooktop. 2. Instruct you how to use the cooktop. 3. Replace house fuses or correct house wiring. 4. Correct house plumbing. B. Repairs when cooktop is used in other than normal home use. C. Damage resulting from accident, alteration, misuse, abuse, improper installation, or installation not in accordance with local electrical or plumbing codes. D. Any labor costs during the limited warranty. E. Replacement parts or repair labor costs for units operated outside the United States and Canada. F. Pickup and delivery. This product is designed to be repaired in the home. G. Repairs to parts or systems caused by unauthorized modifications made to the appliance.
SECOND-THROUGH FIFTH-YEAR LIMITED WARRANTY FROM DATE OF INSTALLATION.	Replacement parts for any gas burner to correct defects in materials or workmanship. For downdraft vent models, replacement parts for the downdraft vent motor to correct defects in materials or workmanship.	

7/95

KITCHENAID DOES NOT ASSUME ANY RESPONSIBILITY FOR INCIDENTAL OR CONSEQUENTIAL DAMAGES. Some states or provinces do not allow the exclusion or limitation of incidental or consequential damages, so this exclusion or limitation may not apply to you. This warranty gives specific legal rights and you may also have other rights which vary from state to state or province to province.

Outside the United States and Canada, a different warranty may apply. For details, please contact your authorized KitchenAid dealer.

If you need assistance or service, first see the "Troubleshooting" section of this book. After checking "Troubleshooting," additional help can be found by checking the "Requesting Assistance or Service" section. In the U.S.A., call our Consumer Assistance Center at **1-800-422-1230**. In Canada, call KitchenAid Canada at one of the telephone numbers listed on page 16.

KitchenAid
 Benton Harbor, Michigan, U.S.A. 49022-2692

Modèles
YKGCT365E
YKGCT305E

GUIDE D'UTILISATION ET D'ENTRETIEN

KitchenAid®

Table de cuisson à gaz vitrifiée avec brûleurs scellés

Note à l'intention de l'utilisateur 2

Sécurité de la table de cuisson 3 à 5

Composants et caractéristiques 6

Utilisation de la table de cuisson 8

Entretien de la table de cuisson 11

Diagnostic 14

Demande d'assistance ou de service 15

Index 19

Garantie 20

Pour l'assistance ou le service, voir à la page 15.

NOTE A L'INTENTION DE L'UTILISATEUR

Merci d'avoir acheté un appareil ménager KITCHENAID*!

KitchenAid conçoit les meilleurs outils pour la pièce la plus importante de votre foyer. Pour que l'appareil que vous avez acheté vous procure de nombreuses années de service sans problème, nous avons élaboré ce Guide d'utilisation et d'entretien. Il contient des renseignements utiles concernant l'utilisation et l'entretien corrects et en sécurité de votre nouvel appareil ménager. Veuillez le lire attentivement.

Veuillez également remplir et expédier la carte d'inscription de produit jointe.

Si vous avez besoin d'assistance ou de services, consulter d'abord la section "Diagnostic" dans cette brochure. Après avoir consulté la section "Diagnostic", on peut également trouver de l'aide supplémentaire la section "Demande d'assistance ou de service."

Lors de votre prise de contact, vous devrez communiquer le numéro de série et le numéro de modèle complet de l'appareil. Vous pouvez trouver cette information sur la plaque signalétique (voir le schéma aux pages 6 et 7).

Conserver cette brochure et la facture d'achat ensemble en lieu sûr pour consultation ultérieure. **Pour obtenir le service sous garantie, vous devez fournir une preuve de la date d'achat ou d'installation.**

N° de modèle _____	Constructeur/marchand _____
N° de série _____	Adresse _____
Date d'installation _____	Téléphone _____

SÉCURITÉ DE LA TABLE DE CUISSON

Nous nous soucions de votre sécurité.

Ce guide comporte des symboles et des mentions concernant la sécurité. Veuillez accorder une attention particulière à ces symboles et observer toutes les instructions. On présente une brève explication du symbole.



Ce symbole vous avertit de dangers tels qu'incendie, choc électrique ou autres blessures.

IMPORTANTES INSTRUCTIONS DE SÉCURITÉ **LIRE ET CONSERVER CES INSTRUCTIONS**

Les tables de cuisson à gaz ont fait l'objet de tests approfondis pour le contrôle de la sécurité et de l'efficacité du fonctionnement. Cependant, comme pour tout appareil ménager, on doit respecter des mesures de sécurité et des méthodes d'installation spécifiques pour garantir un fonctionnement sûr et satisfaisant de l'appareil.

AVERTISSEMENT : Si les instructions de ce manuel ne sont pas scrupuleusement observées, un incendie ou une explosion provoquant des dommages matériels, corporels, voire un décès, peut survenir.

- **Ne pas entreposer ou utiliser d'essence ou autre liquide ou produit émettant des vapeurs inflammables à proximité de cet appareil ou de tout autre appareil.**
- **QUE FAIRE DANS LE CAS D'UNE ODEUR DE GAZ :**
 - **Ne pas tenter d'allumer un appareil.**
 - **Ne pas toucher à un commutateur électrique; ne pas utiliser le téléphone se trouvant sur les lieux.**
 - **Appeler immédiatement le fournisseur de gaz d'un téléphone voisin. Suivre ses instructions.**
 - **À défaut de joindre votre fournisseur de gaz, appeler les pompiers.**
- **L'installation et l'entretien doivent être effectués par un installateur qualifié, une agence de service ou le fournisseur de gaz.**

suite à la page suivante

SÉCURITÉ DE LA TABLE DE CUISSON

Généralités

- Choisir l'emplacement et installer la table de cuisson uniquement selon les instructions d'installation fournies. La table de cuisson doit être installée par un installateur qualifié. La table de cuisson doit être convenablement raccordée à la canalisation d'arrivée de gaz et faire l'objet d'une inspection de recherche des fuites. La table de cuisson doit être également convenablement raccordée au circuit d'alimentation électrique et reliée à la terre.
- Les combustibles gazeux et leur utilisation dans des appareils ménagers peuvent provoquer une exposition mineure à des composés comme le benzène, le formaldéhyde, l'oxyde de carbone et la suie, générés essentiellement lors d'une combustion incomplète. Une exposition significative à ces substances peut avoir des effets cancérigènes ou affecter les fonctions de reproduction. Un brûleur convenablement réglé, dont la flamme est bleue plutôt que jaune, minimise la combustion incomplète. L'évacuation des gaz de combustion par une hotte ou une fenêtre ouverte réduit encore plus l'exposition.
- Ne pas remiser au-dessus de la table de cuisson des objets que des enfants pourraient vouloir atteindre. Les enfants pourraient se brûler ou se blesser en grimant sur la table de cuisson.
- Ne pas laisser des enfants seuls ou sans surveillance dans la pièce où la table de cuisson est en service. Ne jamais laisser des enfants s'asseoir ou se tenir sur une partie quelconque de la table de cuisson. Ils pourraient se blesser ou se brûler.
- Ne pas faire fonctionner la table de cuisson si elle est endommagée ou ne fonctionne pas correctement.
- Ne pas utiliser la table de cuisson pour réchauffer ou chauffer la pièce. Des personnes pourraient se blesser ou se brûler, ou un incendie pourrait se déclencher.
- Utiliser la table de cuisson uniquement pour les applications décrites dans ce manuel.



- Ne pas toucher les brûleurs ou les zones avoisinantes. Les surfaces voisines des brûleurs peuvent être suffisamment chaudes pour provoquer des brûlures. Pendant et après l'utilisation de la table de cuisson, ne pas laisser des vêtements ou autres matériaux inflammables entrer en contact avec les brûleurs ou les surfaces avoisinantes et ne pas toucher ces surfaces ou composants avant qu'ils aient pu se refroidir suffisamment.



- Veiller à ne pas porter de vêtements amples lors de l'utilisation de la table de cuisson; ils pourraient s'enflammer s'ils venaient en contact avec une flamme nue, et l'utilisateur pourrait se brûler.
- Utiliser uniquement des maniques sèches. De la vapeur pourrait se former lors du contact des maniques humides ou mouillées avec les surfaces chaudes, et provoquer des brûlures. Ne pas laisser les maniques entrer en contact avec une flamme. Ne pas utiliser une serviette ou un morceau de tissu volumineux comme manique. Ces articles pourraient s'enflammer.
- Ne pas faire chauffer des contenants fermés; ils pourraient exploser. Le contenu chaud pourrait provoquer des brûlures et les débris du contenant pourraient provoquer des blessures.
- Ne pas remiser des produits inflammables sur la table de cuisson ou à proximité. Les vapeurs émises pourraient susciter un risque d'explosion et/ou d'incendie.
- Ne jamais utiliser une allumette ou autre flamme pour rechercher une fuite de gaz. Ceci pourrait provoquer une explosion et des blessures.
- Veiller à bien connaître l'emplacement du robinet d'arrêt principal de la canalisation de gaz.

SÉCURITÉ DE LA TABLE DE CUISSON

Lors de l'utilisation de la table de cuisson

- Veiller à ce que les récipients utilisés soient suffisamment grands pour contenir tout le mets à cuire, et pour qu'il n'y ait pas de renversement, particulièrement lors d'une ébullition. Les résidus de produits alimentaires projetés ou renversés sur une table de cuisson peuvent s'enflammer et brûler l'utilisateur. Dans le cas des opérations de friture, il est particulièrement important d'utiliser un récipient de taille convenable.
- Vérifier que les récipients de cuisson en verre peuvent être utilisés en sécurité sur la table de cuisson. Seulement certains types d'ustensiles de verre, vitrocéramique, céramique, faïence ou autres récipients à surface vitrifiée peuvent résister sans bris à l'exposition à la chaleur des brûleurs de la table de cuisson et aux brusques variations de température.
- Ne jamais laisser sans surveillance un brûleur chauffant à la puissance maximale. Il pourrait y avoir ébullition et renversement de corps gras, susceptible de s'enflammer et de générer de la fumée.



- Tourner les poignées des récipients vers l'intérieur, mais jamais au-dessus des autres brûleurs. Ceci réduira les risques de brûlures, inflammation de produits combustibles et renversement dus à l'entrechoquement des récipients.
- Ne pas placer de couvercle décoratif ou autre garniture sur les brûleurs.

Graisse

- La graisse est inflammable. Ne pas laisser de la graisse s'accumuler sur la table de cuisson. Essuyer immédiatement la graisse renversée.



- Ne pas utiliser d'eau pour éteindre un feu de graisse. Ne jamais saisir un récipient enflammé. Pour étouffer les flammes dans un récipient enflammé sur la table de cuisson, placer sur le récipient un couvercle bien ajusté, une tôle à biscuits ou un plateau plat. Pour éteindre de la graisse enflammée hors d'un récipient, utiliser du bicarbonate de soude ou un extincteur polyvalent à produit chimique sec, ou un extincteur à mousse.

Entretien et nettoyage

- Ne pas réparer ou remplacer une pièce quelconque de la table de cuisson si ce n'est pas spécifiquement recommandé dans ce manuel. Toute autre opération d'entretien ou de réparation doit être confiée à un technicien qualifié.
- Toute addition, modification ou conversion nécessaire au bon fonctionnement de cet appareil doivent être confinées à un technicien KitchenAid ou à une agence qualifiée.
- Avant d'entreprendre des travaux de réparation, déconnecter la table de cuisson de la source d'alimentation électrique, et fermer la canalisation de gaz au niveau du robinet d'arrêt près de la table de cuisson.

– CONSERVER CES INSTRUCTIONS –

COMPOSANTS ET CARACTÉRISTIQUES

Cette section contient des illustrations de la table de cuisson qui permettront à l'utilisateur de se familiariser avec l'emplacement et l'apparence des composants, et avec leur fonction. Les pages de référence indiquées permettent de trouver rapidement une description plus étendue du composant ou de la fonction concerné.

Modèle YKGCT365E (91,4 cm/36 po)

Plaque signalétique
(numéro de modèle
et numéro de série)
(sous la table de
cuisson)

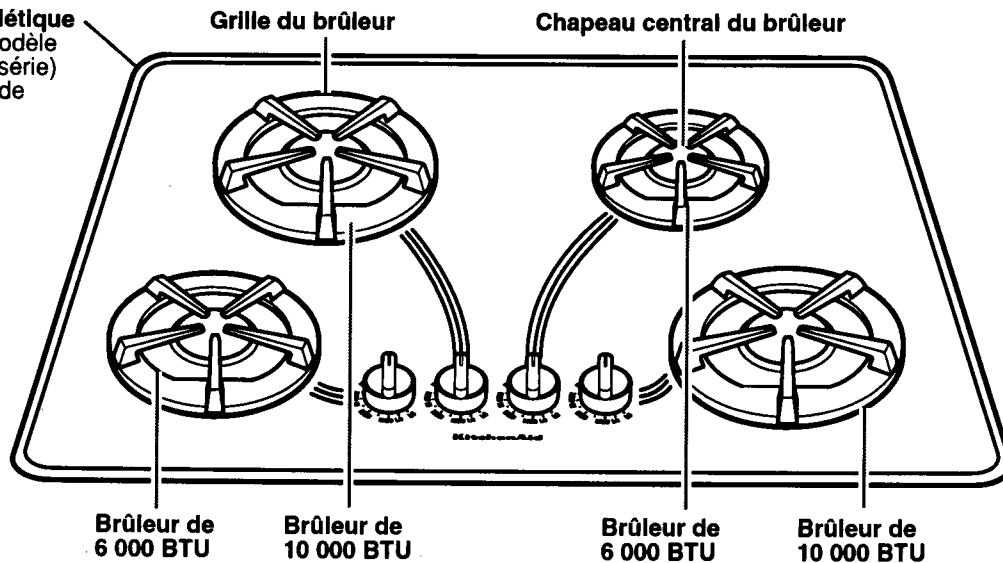
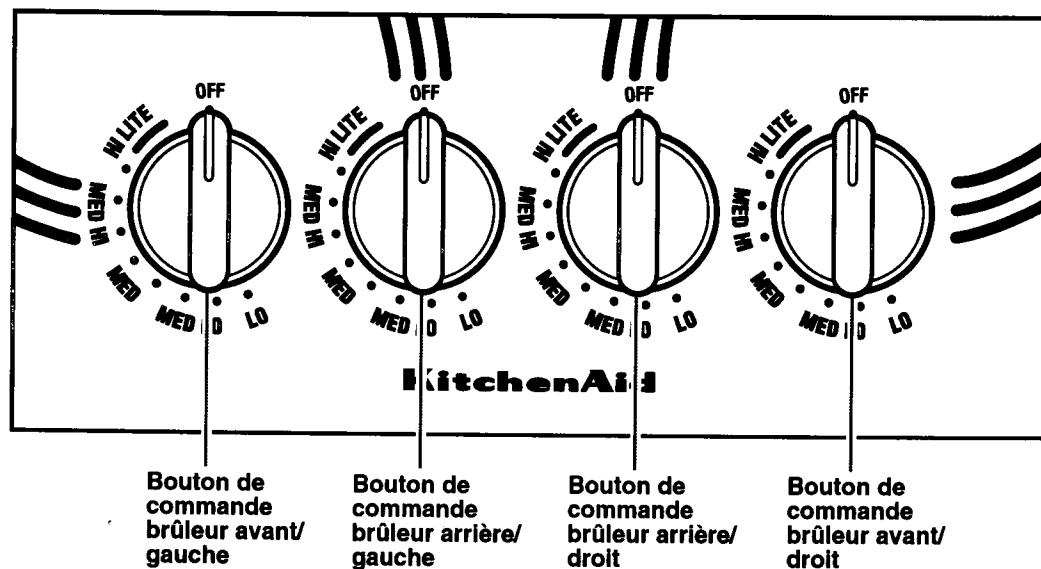


Tableau de commande



COMPOSANTS ET CARACTÉRISTIQUES

Modèle YKGCT305E (76,2 cm/30 po)

Plaque signalétique
(numéro de modèle
et numéro de série)
(sous la table de
cuisson)

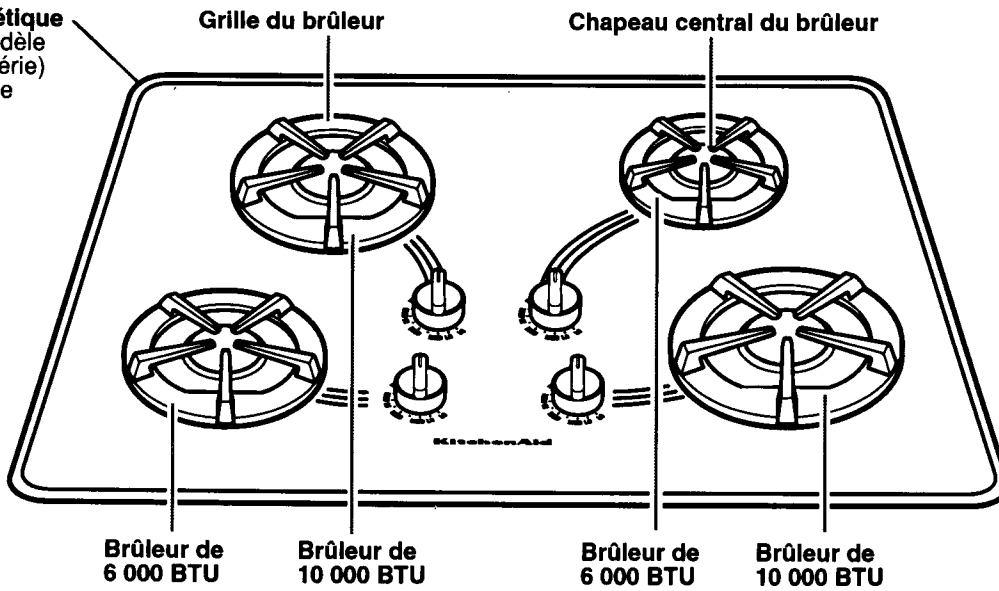
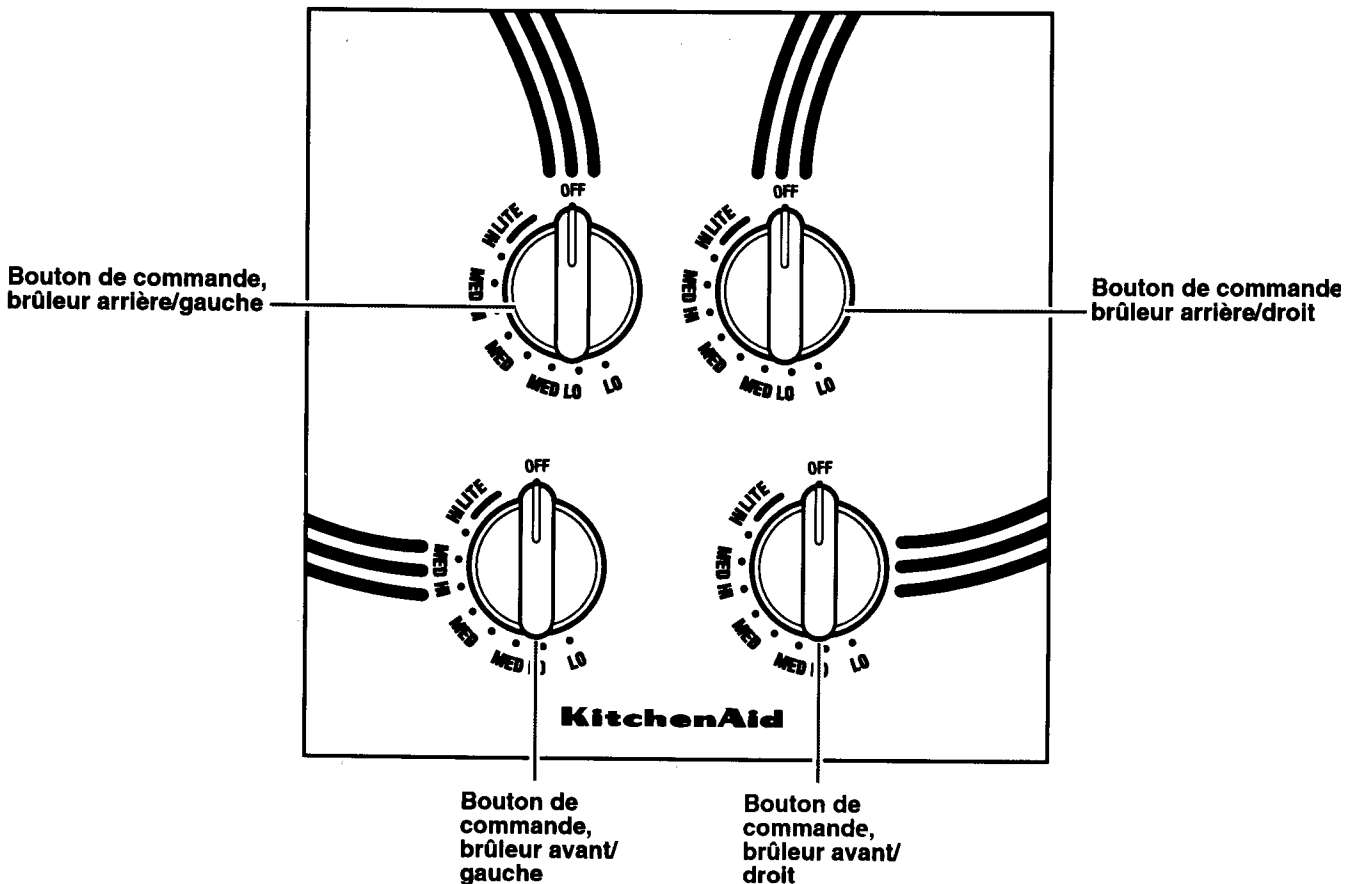


Tableau de commande



UTILISATION DE LA TABLE DE CUISSON

Pour obtenir les meilleurs résultats de cuisson, il convient d'utiliser la table de cuisson de la manière correcte. Cette section décrit ce qu'il faut savoir pour utiliser la table de cuisson efficacement et en sécurité.

Utilisation des brûleurs

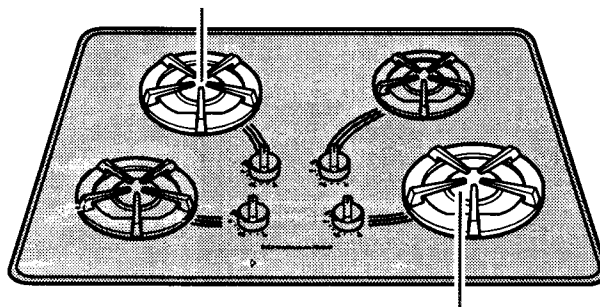
La table de cuisson est dotée de brûleurs à gaz scellés associés à un système d'auto-réallumage automatique. Les brûleurs scellés répartissent la chaleur uniformément sous le fond de l'ustensile de cuisson et permettent un réglage continu de la puissance de chauffage.

REMARQUE : La table de cuisson a été réglée à l'usine pour l'alimentation au gaz naturel. Pour l'alimentation au gaz propane liquéfié, un ensemble de conversion pour gaz propane liquéfié (n° 4173627) est disponible dans les établissements de service autorisés KitchenAid. La conversion doit être effectuée par un technicien d'entretien qualifié.

Utilisation des brûleurs arrière/gauche et avant/droit :

Utiliser ces brûleurs pour la cuisson d'une grande quantité d'aliments, les opérations de friture ou la cuisson dans un récipient de grande taille.

Brûleur de 10 000 BTU

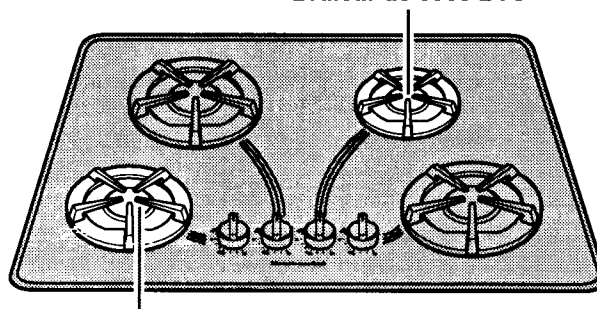


Brûleur de 10 000 BTU

Utilisation des brûleurs avant/gauche et arrière/droit :

Utiliser ces brûleurs pour le mijotage ou la cuisson de petites quantités d'aliments dans un récipient de petite taille.

Brûleur de 6000 BTU



Brûleur de 6000 BTU

UTILISATION DE LA TABLE DE CUISSON

Utilisation des brûleurs (suite)

⚠ AVERTISSEMENT

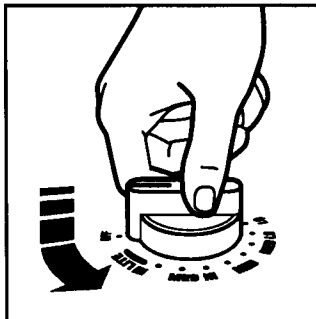
Risque d'empoisonnement
par oxyde de carbone

Ne pas utiliser avec une flamme jaune.

Dans ce cas, il pourrait en résulter un décès,
une attaque cardiaque ou des convulsions.

Utilisation des boutons de commande

- Enfoncer le bouton et le faire tourner jusqu'à la position LITE. Le déclic qu'on perçoit correspond à l'émission d'étincelles par l'allumeur. **Vérifier visuellement que le brûleur s'est allumé.**



position LITE. Le déclic qu'on perçoit correspond à l'émission d'étincelles par l'allumeur. **Vérifier visuellement que le brûleur s'est allumé.**

- Lorsque le brûleur est allumé, faire tourner le bouton de commande vers la gauche, jusqu'à

la position correspondant à la puissance de chauffage désirée (il est possible de placer le bouton de commande à toute position entre les limites supérieure et inférieure).

REMARQUES :

- Le dispositif d'allumage peut émettre plusieurs déclics avant l'allumage de la flamme du brûleur. Ceci est normal.
- Quel que soit le brûleur utilisé, les dispositifs d'allumage des quatre brûleurs produiront des étincelles.
- Vérifier visuellement que le brûleur est allumé. Si le brûleur ne s'allume pas, écouter le son de déclic. Si le son de déclic du dispositif d'allumage n'est pas audible, arrêter le brûleur. Vérifier que le cordon d'alimentation électrique est bien branché sur la prise de courant murale. Déterminer si un fusible a grillé ou si le disjoncteur s'est ouvert.

Vérifier que le bouton de commande est complètement enfoncé sur la tige du robinet. **Si le dispositif d'allumage ne fonctionne toujours pas, contacter le Centre de service autorisé KitchenAid le plus proche aux É.-U. ou au Canada.**

Le dispositif d'allumage électrique ne fonctionne convenablement que s'il est correctement relié à la terre. Un électricien qualifié devrait inspecter la prise de courant murale et vérifier qu'elle est correctement reliée à la terre.

⚠ AVERTISSEMENT



Risque d'incendie

La flamme d'un brûleur ne devrait pas dépasser le bord du récipient de cuisson.

Veiller à ce que tous les boutons de commande soient ramenés à la position d'arrêt (off) lorsque les brûleurs ne sont pas utilisés.

Le non-respect des instructions peut causer un décès, un incendie, ou des brûlures.

REMARQUE : Ne pas laisser sur un brûleur chaud un récipient vide ou un récipient dont le contenu s'est totalement évaporé. Il peut se produire un échauffement excessif qui endommagera le récipient ou le brûleur.

Réglages de la puissance de chauffage des brûleurs

Utiliser le tableau suivant comme guide.

RÉGLAGE	UTILISATION RECOMMANDÉE
LITE	• Allumage du brûleur.
HI	• Début de la cuisson des aliments. • Ébullition des liquides.
Medium High	• Ébullition rapide. • Friture de morceaux de poulet ou de crêpes.
MED	• Pour sauce, crème-dessert et glaçage. • Pour la cuisson de grandes quantités de légumes.
Medium Low	• Pour la poursuite de la cuisson d'un mets débutée à une puissance plus élevée.
LO	• Maintien d'un mets en température jusqu'au moment de le servir.

UTILISATION DE LA TABLE DE CUISSON

Utilisation des brûleurs (suite)

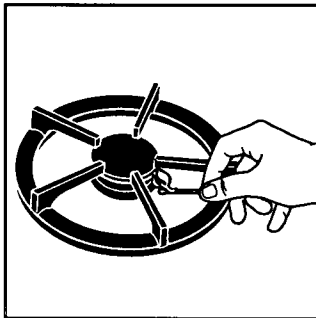
Conseils pour l'économie d'énergie

- Pour réduire la durée de la période de cuisson, réduire au minimum la quantité de liquide.
- Préchauffer l'ustensile seulement lorsque c'est recommandé, et aussi brièvement que possible.
- Commencer la cuisson avec une puissance de chauffage élevée, puis réduire la puissance à un plus bas niveau pour terminer la cuisson.
- Placer l'ustensile rempli sur la grille du brûleur avant d'allumer le brûleur.

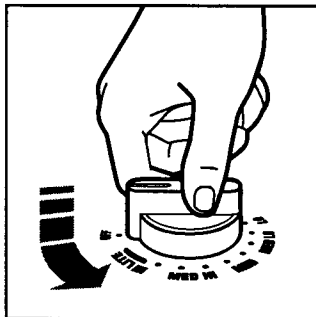
En cas de panne d'électricité prolongée

Il est possible d'allumer manuellement les brûleurs.

- Tenir une allumette enflammée près d'un brûleur et faire tourner le bouton de commande jusqu'à la position HI.



- Après que le brûleur s'est allumé, placer le bouton de commande à la position de réglage désirée.



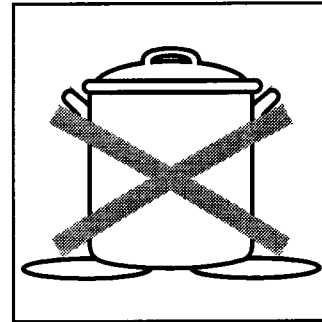
Préparation de conserves

Un autoclave à conserves de grand diamètre, à bain-marie ou à pression, en conjonction avec l'utilisation prolongée d'une puissance de chauffage élevée, peut causer des dommages à la table de cuisson.

Pour protéger la table de cuisson :

- Pour obtenir les meilleurs résultats, utiliser un autoclave à conserves que l'on peut centrer sur l'un des brûleurs.

- Ne pas placer un autoclave à conserves



simultanément sur deux brûleurs. Une accumulation excessive de chaleur endommagerait la table de cuisson.

- Commencer avec de l'eau chaude. Ceci permet de réduire la durée de la période de chauffage à

la puissance maximale. Réduire ensuite la puissance au minimum nécessaire pour entretenir l'ébullition de l'eau.

- Pour des instructions spécifiques, consulter le manuel de l'autoclave à conserves.

Batterie de cuisine

- Le récipient devrait comporter un fond plat, des flancs rectilignes et un couvercle bien ajusté.
- Choisir un récipient d'épaisseur moyenne, mais relativement léger.
- Le matériau utilisé pour la fabrication des récipients (métal ou verre) affecte la rapidité de transfert de chaleur et l'uniformité du chauffage.
- Lors de l'utilisation d'un ustensile de cuisson de verre ou de céramique, vérifier qu'il est possible de l'utiliser sur un brûleur d'une table de cuisson.
- Pour que les récipients ne puissent se renverser, veiller à les centrer sur les grilles.

ENTRETIEN DE LA TABLE DE CUISSON

Cette table de cuisson a été conçue pour un entretien facile. On peut effectuer la plupart des opérations de nettoyage avec des produits ménagers ordinaires. Nettoyer la table de cuisson chaque fois qu'elle est salie ou qu'un produit a été renversé; ceci lui permettra de conserver longtemps son aspect de produit neuf et de fonctionner comme un produit neuf.



⚠ AVERTISSEMENT

Risque d'explosion

Ne jamais garder de matériaux combustibles telle que de l'essence près de la table de cuisson.

Le non-respect de cette instruction peut causer un décès, une explosion, un incendie ou des brûlures.

Tableau de nettoyage

Le tableau ci-dessous présente de l'information spécifique concernant le nettoyage de la table de cuisson. **Avant d'entreprendre un nettoyage, vérifier que toutes les commandes sont à la position d'arrêt (off), et que la table de cuisson s'est refroidie.**

COMPOSANT	MODE DE NETTOYAGE
Boutons de commande	<ul style="list-style-type: none">• Placer les boutons de commande à la position d'arrêt (off) et les tirer pour les détacher du tableau de commande.• Laver les boutons avec une éponge et de l'eau savonneuse tiède. Bien rincer et sécher les boutons. Ne pas les faire tremper. Ne pas utiliser de laine d'acier ou un produit de nettoyage abrasif, qui endommagerait la finition des boutons de commande.• Réinstaller les boutons de commande. Veiller à placer le repère à la position d'arrêt (off).
Grilles des brûleurs	<ul style="list-style-type: none">• Laver les grilles avec un tampon à récurer de plastique non abrasif et de l'eau savonneuse tiède. Bien rincer et sécher. Pour les taches tenaces, nettoyer avec un tampon à récurer et/ou de l'eau et un produit de nettoyage en poudre. Répéter ces opérations de nettoyage selon le besoin.
Brûleurs et chapeaux	<ul style="list-style-type: none">• Consulter les instructions de nettoyage présentées aux pages 12 et 13.
Surface de verre trempé	<ul style="list-style-type: none">• Enlever les grilles.• Laver la surface avec une éponge et de l'eau savonneuse tiède, ou un essuie-tout de papier et un produit de nettoyage du verre (flacon pulvérisateur). Rincer par essuyage avec de l'eau tiède et sécher parfaitement. Utiliser un tampon à récurer de plastique non abrasif sur les zones très souillées.• Ne pas utiliser de laine d'acier, ni un produit de nettoyage abrasif ou énergétique. Ces produits peuvent endommager la finition.• Lors de l'utilisation de savon ou de détergent, essuyer à fond pour empêcher la formation d'un film résiduel. <p>REMARQUE : Lors du nettoyage de la table de cuisson, alors que les boutons ont été ôtés, veiller à NE PAS laisser de l'eau pénétrer à l'intérieur de la table de cuisson.</p> <ul style="list-style-type: none">• Réinstaller les grilles.

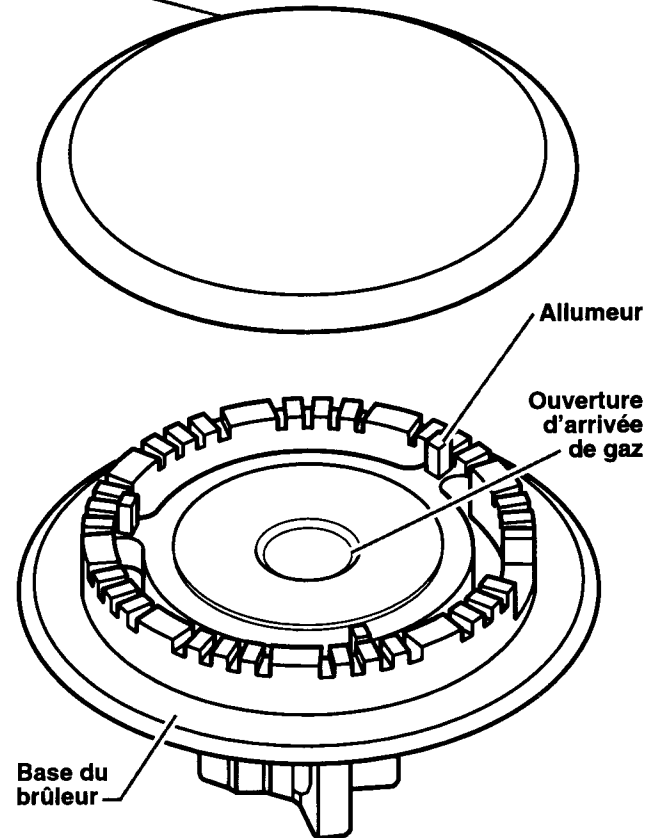
ENTRETIEN DE LA TABLE DE CUISSON

Brûleurs scellés et table de cuisson

Nettoyage des brûleurs

- Démontez et nettoyez les chapeaux de brûleur à intervalles réguliers. Toujours nettoyer le chapeau de brûleur après un renversement de produit. L'entretien de la propreté des brûleurs empêche les défauts d'allumage et les flammes déficientes.
- Pour obtenir un bon écoulement du gaz et un bon allumage des brûleurs, **VEILLER À NE PAS LAISSER DE PRODUITS ALIMENTAIRES (RENVERSEMENT, ETC.), AGENT DE NETTOYAGE OU AUTRE MATÉRIAU PÉNÉTRER DANS L'OUVERTURE DU TUBE D'ARRIVÉE DE GAZ.**
- Pour que le brûleur s'allume convenablement, il faut que le gaz puisse s'écouler librement à travers le tube d'arrivée de gaz. Cette zone doit être maintenue exempte de toute souillure et être protégée des produits susceptibles de se renverser ou de déborder. **TOUJOURS** maintenir les chapeaux de brûleur en place lorsqu'un brûleur est utilisé.
- Laissez la table de cuisson refroidir avant de la nettoyer.
- Ne pas utiliser de produit de nettoyage pour fours, produit de blanchiment ou décapant à rouille.
- Ne pas entraver l'évacuation des gaz de combustion et l'arrivée de l'air de ventilation.
- Après avoir ôté les boutons de commande pour le nettoyage, veillez à ne pas renverser de liquide à travers les trous du tableau de commande.
- Ne pas laisser de l'humidité s'accumuler dans la zone des boutons de commande. L'humidité peut provoquer la défaillance des commutateurs des dispositifs d'allumage.

Chapeau de brûleur, en fonte



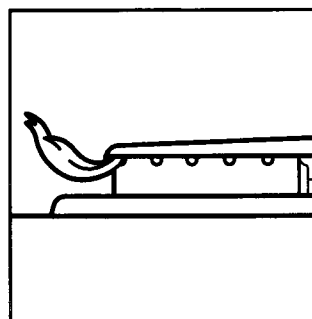
⚠️ AVERTISSEMENT

**Risque d'empoisonnement
par oxyde de carbone**

Ne pas utiliser avec une flamme jaune.

**Dans ce cas, il pourrait en résulter un décès,
une attaque cardiaque ou des convulsions.**

- Examiner occasionnellement les flammes du



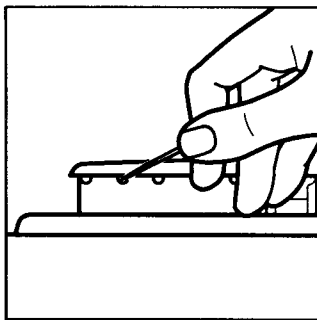
brûleur; vérifier que leur taille et leur forme correspondent à l'illustration. Une bonne flamme a une teinte bleue. Si les flammes sont inégales, un nettoyage du brûleur concerné peut être nécessaire.

ENTRETIEN DE LA TABLE DE CUISSON

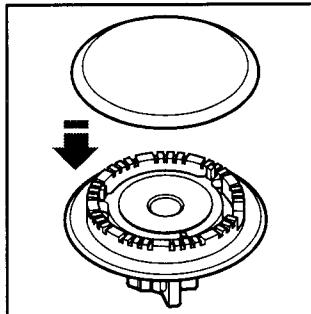
Brûleurs scellés et table de cuisson (suite)

Nettoyage des brûleurs :

1. Tirer le chapeau de brûleur en ligne droite pour le séparer de la base.
2. Nettoyer le chapeau de brûleur avec de l'eau savonneuse tiède et une éponge. On peut également utiliser un tampon à récurer ou produit de nettoyage non abrasif. Ne pas nettoyer les chapeaux de brûleur au lave-vaisselle ou dans un four autonettoyant.
3. Si l'ouverture du tube d'arrivée de gaz a été souillée ou obstruée, utiliser un bâtonnet ouaté ou un linge doux pour nettoyer cette zone.
4. **Si des orifices de sortie du gaz sont obstrués, nettoyer avec une épingle droite. Ne pas agrandir ou déformer les orifices. Ne pas utiliser un cure-dents de bois.** S'il est nécessaire de régler un brûleur, contacter un technicien qualifié.



5. Après le nettoyage du tube d'arrivée de gaz et des orifices, réinstaller le chapeau de brûleur. Lors de la réinstallation du chapeau de brûleur, veiller à ce que les ergots d'alignement soient convenablement alignés avec la base du brûleur.



6. Allumer le brûleur pour vérifier qu'il fonctionne bien. Si le brûleur ne s'allume pas après un nettoyage, contacter un établissement de service agréé KitchenAid. Ne pas tenter d'effectuer une quelconque intervention sur un brûleur scellé.

DIAGNOSTIC

La plupart des problèmes de cuisson sont souvent attribuables à des petits détails, et on peut les résoudre sans aucun outillage. Consulter le tableau ci-dessous avant de contacter un service d'entretien. Si une assistance demeure nécessaire, voir la section "Demande d'assistance ou de service" à la page 15.

La table de cuisson ne fonctionne pas

PROBLÈME	CAUSE
Rien ne fonctionne	<ul style="list-style-type: none">• L'appareil n'est pas branché sur un circuit électrique alimenté à la tension convenable.• La table de cuisson n'est pas convenablement raccordée à une conduite d'arrivée de gaz. Contacter un atelier de service autorisé KitchenAid ou un technicien d'entretien qui pourra reconnecter la table de cuisson à la conduite d'arrivée de gaz. (Voir les instructions d'installation.)• Un fusible a grillé ou un disjoncteur s'est ouvert.• Le bouton de commande n'est pas correctement réglé. Enfoncer le bouton de commande avant de le faire tourner.

Brûleurs

PROBLÈME	CAUSE
Le brûleur ne s'allume pas	<ul style="list-style-type: none">• Un fusible est grillé ou un disjoncteur est ouvert.• Les orifices du brûleur peuvent être obstrués. Nettoyer ceux-ci avec un épingle droite. (Voir page 13.)
Flammes du brûleur pas uniformes	<ul style="list-style-type: none">• Les orifices de sortie de gaz du brûleur sont obstrués. Nettoyer ceux-ci avec un épingle droite. (Voir page 13.)
Les flammes du brûleur s'écartent des orifices, elles sont jaunes, ou elles produisent un bruit lors de l'extinction du brûleur	<ul style="list-style-type: none">• Un nettoyage du brûleur est nécessaire. (Voir page 13.)• Le mélange air/gaz est incorrect. Contacter un établissement de service agréé KitchenAid pour le contrôle du mélange air/gaz ou consulter les instructions d'installation.
Le brûleur produit un petit bruit d'explosion lorsqu'il est allumé	<ul style="list-style-type: none">• Le brûleur vient d'être lavé; il est humide. Laisser le brûleur sécher.

Résultats de cuisson

PROBLÈME	CAUSE
Résultats de cuisson médiocres ou imprévus	<ul style="list-style-type: none">• Il peut être nécessaire de modifier la recette utilisée pour améliorer le goût ou l'apparence du mets.• Utilisation d'un récipient ou ustensile de type ou de taille incorrecte. Consulter un livre de cuisine fiable ou la recette au sujet de la taille ou du type de récipient recommandé.• La taille de la flamme n'est pas adaptée au récipient utilisé.• L'arrivée d'air de combustion et/ou de ventilation à la table de cuisson est entravée.• La table de cuisson n'est pas d'aplomb. (Voir les instructions d'installation.)

DEMANDE D'ASSISTANCE OU DE SERVICE

Avant de faire un appel pour assistance ou service, veuillez vérifier la section "Diagnostic". Cette action peut vous faire économiser le coût d'un appel de service. Si vous avez encore besoin d'assistance, suivre les instructions ci-dessous.

Si vous avez besoin d'assistance ou de service ...

1. Si le problème n'est pas attribuable à l'une des causes indiquées dans "Diagnostic"†...

Communiquer avec le marchand où vous avez acheté votre appareil électroménager, ou téléphoner à KitchenAid Canada au Centre d'assistance aux consommateurs, sans frais d'interurbain, entre **8 h 30 et 18 h 00 (HNE)**, en composant **1-800-461-5681**. Veuillez inclure un numéro de téléphone où l'on peut vous joindre le jour.



2. Si vous avez besoin de service†...

Communiquer avec votre succursale ou établissement de service autorisé de KitchenAid Canada la plus proche pour l'entretien de votre appareil. (Voir liste ci-dessous.)

† Lorsque vous demandez de l'assistance ou un service, veuillez fournir une description détaillée du problème, les numéros complets du modèle et de série de l'appareil, et la date d'achat. (Voir page 2.) Ces renseignements nous aideront à mieux répondre à votre demande.

Service d'appareils ménagers KitchenAid Canada – Service aux consommateurs

Succursales de service direct :

COLOMBIE-BRITANNIQUE		1-800-665-6788
ALBERTA		1-800-661-6291
ONTARIO (à l'exception du code régional 807)	Région d'Ottawa En dehors de la région d'Ottawa	1-800-267-3456 1-800-807-6777
MANITOBA, SASKATCHEWAN et code régional 807 en ONTARIO		1-800-665-1683
QUÉBEC	Montréal (à l'exception de la rive sud) Rive Sud Montréal Québec Sherbrooke	1-800-361-3032 1-800-361-0950 1-800-463-1523 1-800-567-6966
PROVINCES DE L'ATLANTIQUE		1-800-565-1598

Pour plus d'assistance ...

Si vous avez besoin de plus d'assistance, vous pouvez écrire à KitchenAid Canada en soumettant toute question ou préoccupation au :

Service des relations avec la clientèle
KitchenAid Canada
1901 Minnesota Court
Mississauga, Ontario L5N 3A7

Veuillez indiquer dans votre correspondance un numéro de téléphone où l'on peut vous joindre le jour.

INDEX

Cet index est alphabétique. Il mentionne tous les sujets traités dans ce manuel, avec les numéros de page correspondants.

SUJET	PAGE	SUJET	PAGE
ASSISTANCE	15	NETTOYAGE	
BRÛLEURS		Boutons de commande	11
Boutons de commande	9	Brûleurs et chapeaux de brûleur	12 et 13
Conseils	10	Grilles des brûleurs	11
Guide de réglage	9	Surface de verre trempé	11
CARACTÉRISTIQUES	6 et 7	SÉCURITÉ	3 à 5
CONSEILS		SERVICE	15
Batterie de cuisine	10	TABLEAU DE COMMANDE	
Conseils pour l'économie d'énergie	10	Boutons de commande	6 et 7
DIAGNOSTIC	14	USTENSILES DE CUISINE	
GARANTIE	20	Autoclave à conserves	10
		Batterie de cuisine	10

GARANTIE DE LA TABLE DE CUISSON À GAZ

DURÉE DE LA GARANTIE :	KITCHENAID PAIERA POUR :	KITCHENAID NE PAIERA PAS POUR :
GARANTIE COMPLÈTE D'UN AN À COMPTER DE LA DATE D'INSTALLATION.	Les pièces de rechange et frais de main-d'oeuvre pour l'élimination des vices de matériau ou de fabrication. Les travaux doivent être exécutés par le personnel d'un établissement de service KitchenAid autorisé.	A. Les visites d'un dépanneur pour : <ol style="list-style-type: none"> 1. Corriger l'installation de la table de cuisson. 2. Donner des instructions concernant l'utilisation de la table de cuisson. 3. Remplacer les fusibles ou rectifier l'installation électrique de la maison. 4. Rectifier la plomberie de la maison. B. Les réparations de dommages lorsque la table de cuisson est utilisée à des fins autres que domestiques.
GARANTIE LIMITÉE, DE LA DEUXIÈME À LA CINQUIÈME ANNÉE INCLUSIVEMENT À COMPTER DE LA DATE D'INSTALLATION.	Les pièces de rechange pour tous les brûleurs à gaz, pour l'élimination des vices de matériau ou de fabrication. Pour les modèles à évacuation des gaz par le bas, les pièces de rechange pour le moteur d'aspiration vers le bas, pour rectifier les vices de matériau ou de fabrication.	C. Les dommages imputables à : accident, modification, usage impropre ou abusif, installation incorrecte ou non conforme aux codes locaux d'électricité et de plomberie. D. Les frais de main-d'oeuvre au cours la période de garantie limitée. E. Le coût des pièces de rechange et de la main-d'oeuvre pour des appareils utilisés en dehors du Canada. F. Le transport vers l'atelier et retour. Ce produit est conçu pour être réparé à domicile. G. Les réparations de pièces ou systèmes imputables à des modifications exécutées sur l'appareil sans autorisation.

8/96

KITCHENAID DÉCLINE TOUTE RESPONSABILITÉ AU TITRE DE DOMMAGES SECONDAIRES OU INDIRECTS. Certaines provinces n'admettent pas l'exclusion ou la limitation des dommages secondaires ou indirects; par conséquent, cette limitation ou exclusion peut ne pas vous être applicable. Cette garantie vous confère des droits juridiques spécifiques; vous pouvez également jouir d'autres droits, variables d'une province à une autre.

Hors du Canada, une garantie différente peut s'appliquer. Pour de plus amples détails, contacter le marchand KitchenAid autorisé.

Si une assistance est nécessaire, consulter d'abord la section "Diagnostic" dans cette brochure. Après avoir consulté la section "Diagnostic," on peut également trouver de l'information utile à la section "Demande d'assistance ou de service." Au Canada, téléphoner à l'un des numéros de téléphone indiqués à la page 15.

KitchenAid
Benton Harbor, Michigan, U.S.A. 49022-2692