

MICROWAVE HOOD COMBINATION INSTALLATION INSTRUCTIONS

This product is suitable for use above electric or gas cooking products up to and including 36" (91.4 cm) wide. See "Installation Requirements" section for further notes.

These installation instructions cover different models. The appearance of your particular model may differ slightly from the illustration in these installation instructions.

INSTRUCTIONS D'INSTALLATION DE L'ENSEMBLE FOUR À MICRO-ONDES/HOTTE

Ce produit est conçu pour l'utilisation au-dessus d'appareils de cuisson électriques ou à gaz de 36" (91,4 cm) de largeur ou moins. Voir la section "Exigences d'installation" pour d'autres remarques.

Ces instructions d'installation sont valables pour plusieurs modèles. Il se peut que l'apparence de votre propre modèle soit légèrement différente de celle montrée sur les illustrations dans ce document.

Table of Contents / Table des matières

MICROWAVE HOOD COMBINATION SAFETY	1	SÉCURITÉ DE L'ENSEMBLE FOUR À MICRO-ONDES/HOTTE ...	13
INSTALLATION REQUIREMENTS	2	EXIGENCES D'INSTALLATION	13
Tools and Parts	2	Outillage et pièces.....	13
Remove Cardboard Template	2	Ôter du gabarit de carton.....	14
Location Requirements	2	Exigences d'emplacement.....	14
Product Dimensions.....	3	Dimensions du produit.....	14
Electrical Requirements	3	Spécifications électriques	15
INSTALLATION INSTRUCTIONS	4	INSTRUCTIONS D'INSTALLATION	15
Remove Mounting Plate.....	4	Dépose de la plaque de montage.....	15
Rotate Blower Motor	4	Réorientation du moteur du ventilateur	15
Locate Wall Stud(s)	6	Identifier la position du/des poteau(x) du colombage mural	17
Mark Rear Wall	7	Tracé sur le mur arrière	18
Drill Holes in Rear Wall.....	7	Perçage de trous dans le mur arrière.....	19
Attach Mounting Plate to Wall	8	Fixation de la plaque de montage sur le mur	19
Prepare Upper Cabinet	8	Préparation du placard mural.....	20
Install Damper Assembly	9	Installation du module du clapet anti-reflux.....	21
Install the Microwave Oven.....	9	Installation du four à micro-ondes	21
Complete Installation	10	Achever l'installation.....	22
VENTING DESIGN SPECIFICATIONS	11	SPÉCIFICATIONS DU CIRCUIT D'ÉVACUATION	23
ASSISTANCE	12	ASSISTANCE	24
Replacement Parts.....	12	Pièces de rechange.....	24
Accessories	12	Accessoires	24

MICROWAVE HOOD COMBINATION SAFETY

Your safety and the safety of others are very important.

We have provided many important safety messages in this manual and on your appliance. Always read and obey all safety messages.



This is the safety alert symbol.

This symbol alerts you to potential hazards that can kill or hurt you and others.

All safety messages will follow the safety alert symbol and either the word "DANGER" or "WARNING."

These words mean:

⚠ DANGER

You can be killed or seriously injured if you don't immediately follow instructions.

⚠ WARNING

You can be killed or seriously injured if you don't follow instructions.

All safety messages will tell you what the potential hazard is, tell you how to reduce the chance of injury, and tell you what can happen if the instructions are not followed.

INSTALLATION REQUIREMENTS

Tools and Parts

Tools Needed

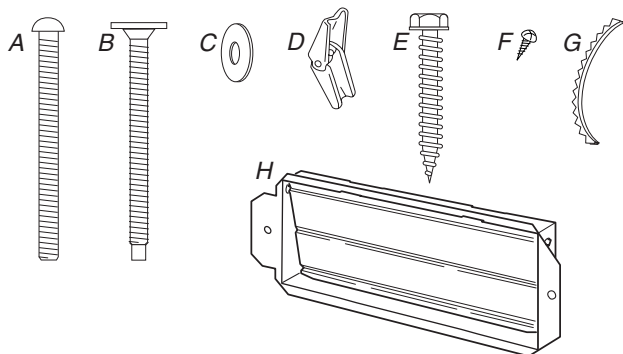
Gather the required tools and parts before starting installation. Read and follow the instructions provided with any tools listed here.

- Measuring tape
- Pencil
- Masking tape or thumbtacks
- Scissors
- No. 2 Phillips screwdriver
- No. 3 Phillips screwdriver for 1/4-20 x 3" bolts
- Electric drill
- 3/16" (5 mm), 3/8" (10 mm) drill bits
- 3/4" (19 mm) hole saw
- Stud finder
- 7/16" socket wrench (or box wrench) for 1/4" x 2" lag screws
- 1½" (3.8 cm) diam. hole drill bit for wood or metal cabinet
- Keyhole saw
- Caulking gun and weatherproof caulking compound
- Duct tape

Parts Supplied

For reorder information, see "Replacement Parts" section.

NOTE: The hardware items listed here are for wood studs. For other types of wall structures, be sure to use appropriate fasteners.



- A. 1/4-20 x 3" round-head bolts (2)
- B. 1/4-20 x 3" flat-head bolts (2)
- C. Washers (2)
- D. Toggle nuts (2)
- E. 1/4" x 2" lag screws (2)
- F. Sheet metal screws (2)
- G. Power supply cord bushing (1)
- H. Damper assembly (for wall or roof venting)

Not Shown:
Upper cabinet template
Mounting plate (attached to back of microwave oven)
Cardboard template (part of packaging)
Aluminum grease filters
Charcoal filters (Depending on model, charcoal filters may not be included. See Use and Care Guide.)

NOTE: Depending on model, aluminum grease filter and charcoal filter may be combined.

Materials needed

- Standard fittings for wall or roof venting. See "Venting Design Specifications" section.

Remove Cardboard Template

The cardboard piece from the top of the microwave oven packaging is perforated. The piece inside the perforation is for use as a rear wall template.

1. Cut along the perforation to separate the template from the rest of the cardboard packaging.
2. Set the cardboard template to the side and refer to it during the "Mark Rear Wall" part of installation.

Location Requirements

Check the opening where the microwave oven will be installed. The location must provide:

- Minimum installation dimensions. See "Installation Dimensions" illustration.
- Minimum one 2" x 4" (50.8 x 101.6 mm) wood wall stud and minimum 3/8" (9.5 mm) thickness drywall or plaster/lath within cabinet opening.
- Support for weight of 150 lbs (68 kg), which includes microwave oven and items placed inside the microwave oven and upper cabinet.
- Grounded electrical outlet inside upper cabinet. See "Electrical Requirements" section.

NOTES:

- If installing the microwave oven near a left sidewall, make sure there is at least 6" (15.2 cm) of clearance between the wall and the microwave oven, so that the door can open fully.
- Some cabinet and building materials are not designed to withstand the heat produced by the microwave oven for cooking. Check with your builder or cabinet supplier to make sure that the materials used will not discolor, delaminate or sustain other damages.

Special Requirements

For Wall Venting Installation Only:

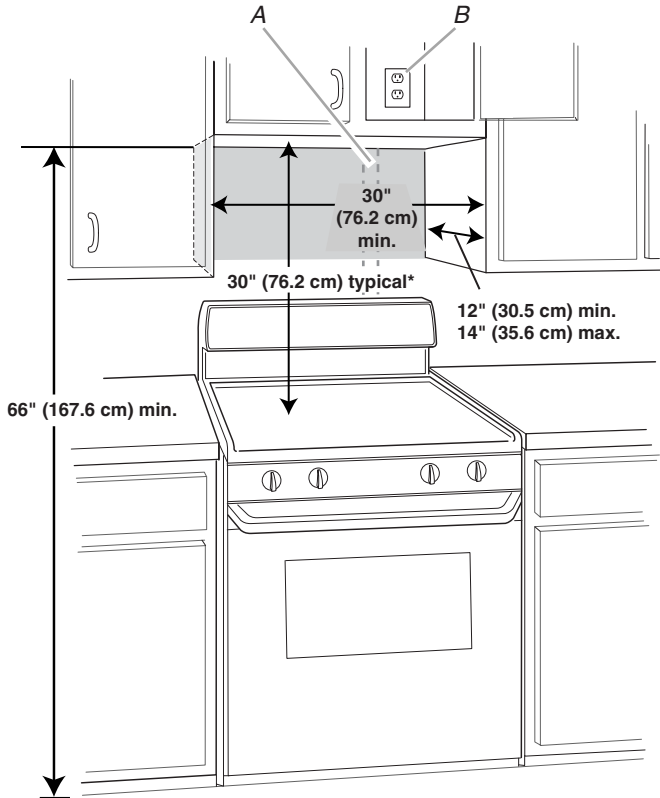
- Cutout must be free of any obstructions so that the vent fits properly, and the damper blade opens freely and fully.

For Roof Venting Installation Only:

- If you are using a rectangular to round transition piece, the 3" (7.6 cm) clearance needs to exist above the microwave oven so that the damper blade can open freely and fully. See "Rectangular to Round Transition" illustration in "Venting Design Specifications" section.

Installation Dimensions

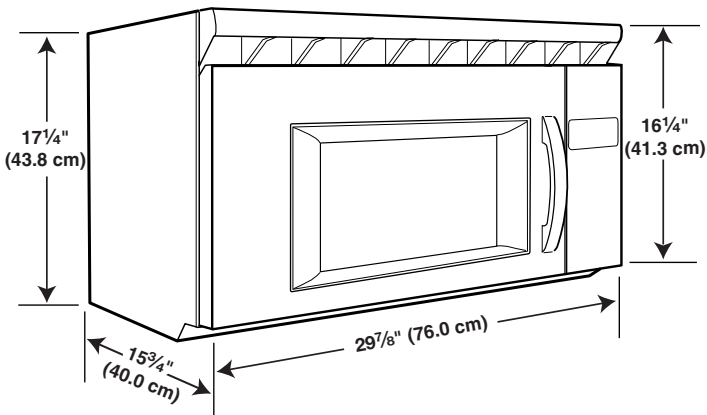
NOTE: The grounded 3 prong outlet must be inside the upper cabinet. See "Electrical Requirements" section.



A. 2" x 4" wall stud
B. Grounded 3 prong outlet

*30" (76.2 cm) is typical for 66" (167.6 cm) installation height. Exact dimensions may vary depending on type of range/cooktop below.

Product Dimensions



Electrical Requirements

⚠ WARNING



Electrical Shock Hazard

Plug into a grounded 3 prong outlet.

Do not remove ground prong.

Do not use an adapter.

Do not use an extension cord.

Failure to follow these instructions can result in death, fire, or electrical shock.

Observe all governing codes and ordinances.

Required:

- A 120 Volt, 60 Hz, AC only, 15- or 20-amp electrical supply with a fuse or circuit breaker.

Recommended:

- A time-delay fuse or time-delay circuit breaker.
- A separate circuit serving only this microwave oven.

GROUNDING INSTRUCTIONS

■ For all cord connected appliances:

The microwave oven must be grounded. In the event of an electrical short circuit, grounding reduces the risk of electric shock by providing an escape wire for the electric current. The microwave oven is equipped with a cord having a grounding wire with a grounding plug. The plug must be plugged into an outlet that is properly installed and grounded.

WARNING: Improper use of the grounding plug can result in a risk of electric shock. Consult a qualified electrician or serviceman if the grounding instructions are not completely understood, or if doubt exists as to whether the microwave oven is properly grounded.

Do not use an extension cord. If the power supply cord is too short, have a qualified electrician or serviceman install an outlet near the microwave oven.

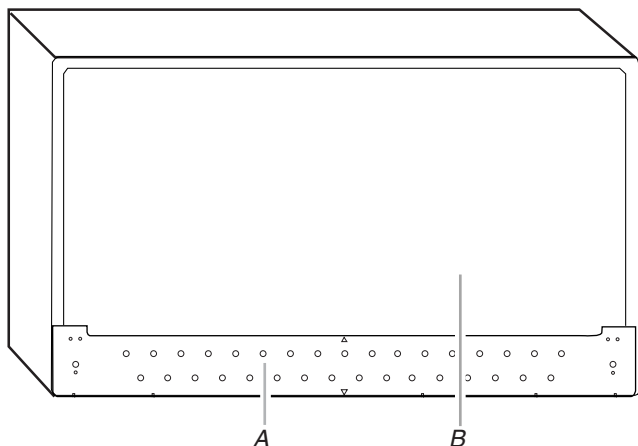
SAVE THESE INSTRUCTIONS

INSTALLATION INSTRUCTIONS

Remove Mounting Plate

NOTE: To avoid possible damage to the work surface, cover the work surface.

1. Remove any remaining contents from the microwave oven cavity.
2. Remove the mounting plate and set aside.



A. Mounting plate
B. Back of microwave oven

3. Tape the microwave oven door closed so that door does not swing open while the microwave oven is being handled.

NOTE: To avoid damage to the microwave oven, do not grip or use the door or door handle while the microwave oven is being handled.

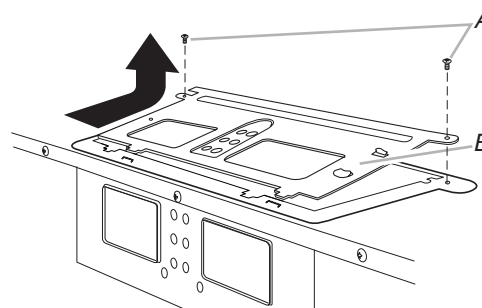
Rotate Blower Motor

The microwave oven is set for recirculation installation. For wall or roof venting, changes must be made to the venting system.

NOTE: Skip this section if you are using recirculation installation. Keep the damper assembly in case the venting method is changed, or the microwave oven is reinstalled in another location where wall or roof venting may be used.

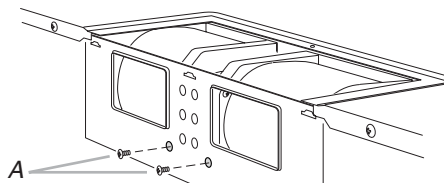
Wall Venting Installation Only

1. Remove screws attaching damper plate to top of microwave oven exterior. Slide damper plate toward the front of the microwave oven and lift up.



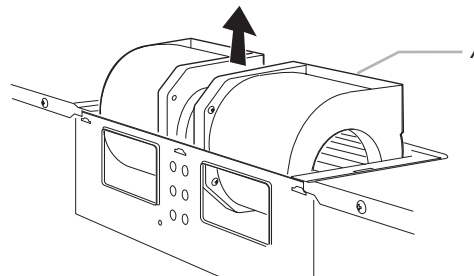
A. Screws
B. Damper plate

2. Keep damper plate and screws together and set aside.
3. Remove 2 screws attaching blower motor to back of microwave oven.



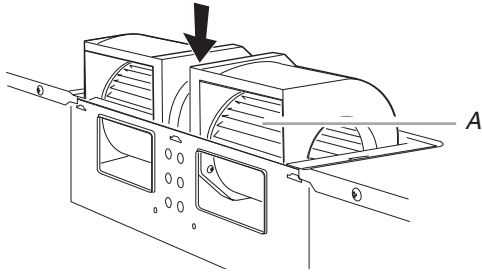
A. Screws (in recessed holes)

4. Lift blower motor out of microwave oven.



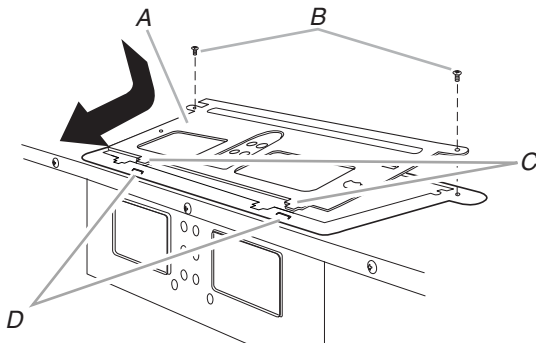
A. Blower motor

- Rotate blower motor 180° so that exhaust ports face the back of microwave oven, and lower blower motor back into the microwave oven.



A. Exhaust port

- Reattach blower motor to back of microwave oven with 2 screws removed in Step 3.
- Reattach damper plate. Make sure damper plate tabs are inserted into the slots in the top of the microwave oven.



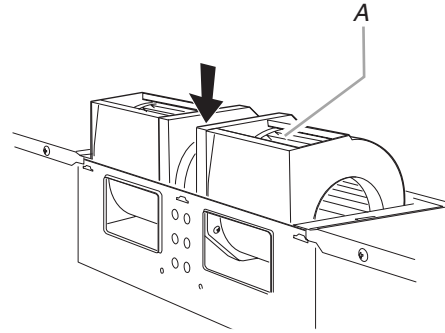
A. Damper plate
B. Screws
C. Damper plate tabs
D. Slots

- Secure damper plate with 2 screws removed in Step 1.

Roof Venting Installation Only

- Repeat Step 1 from "Wall Venting Installation Only."
- Repeat Step 2 from "Wall Venting Installation Only."
- Repeat Step 3 from "Wall Venting Installation Only."
- Repeat Step 4 from "Wall Venting Installation Only."

- Rotate blower motor so that exhaust ports face the top of microwave oven, and flat sides of blower motor face back of microwave oven. Lower blower motor back into microwave oven.



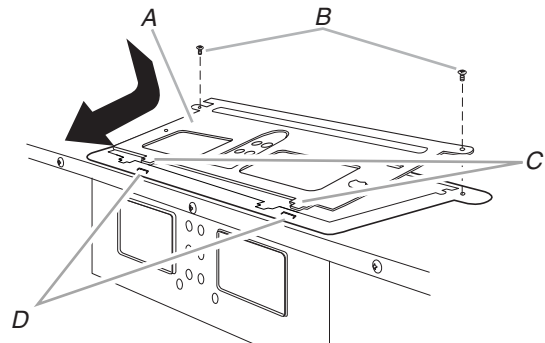
A. Exhaust port

IMPORTANT: If blower motor is not positioned with flat sides facing the back of the microwave oven (as shown), performance will be poor.

- Reattach blower motor to back of microwave oven with 2 screws removed in Step 3 of "Wall Venting Installation Only." Securely tighten screws.

NOTE: If blower motor is not correctly oriented, the 2 screws removed in Step 3 cannot be reattached to the microwave oven.

- Reattach damper plate. Make sure damper plate tabs are inserted into the slots in the top of the microwave oven.



A. Damper plate
B. Screws
C. Damper plate tabs
D. Slots

- Secure damper plate with 2 screws removed in Step 1 of "Wall Venting Installation Only."

Locate Wall Stud(s)

NOTE: If no wall studs exist within the cabinet opening, do not install the microwave oven.

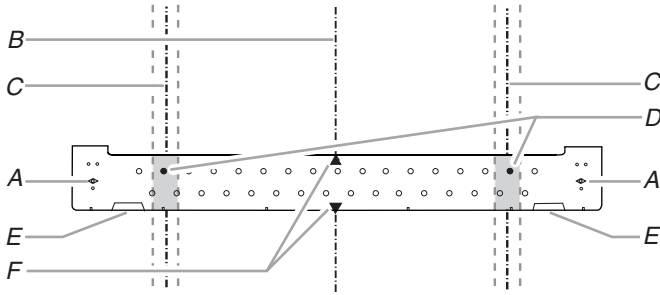
See illustrations in "Possible Wall Stud Configurations."

1. Using a stud finder, locate the edges of the wall stud(s) within the opening.
2. Mark the center of each stud, and draw a plumb line down each stud center. See illustrations in "Possible Wall Stud Configurations."

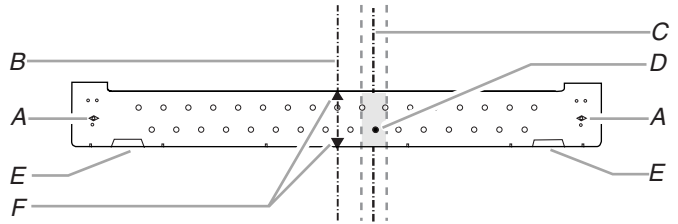
Possible Wall Stud Configurations

These depictions show examples of preferred installation configurations with the mounting plate.

No Wall Studs at End Holes
Figure 1

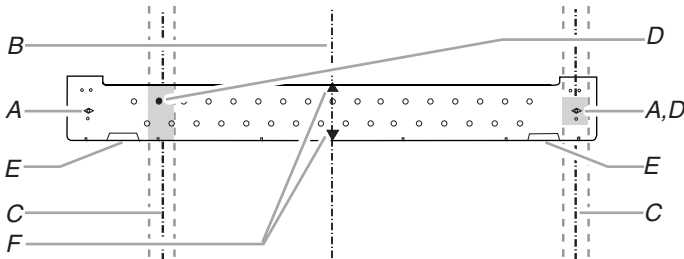


No Wall Studs at End Holes
Figure 2

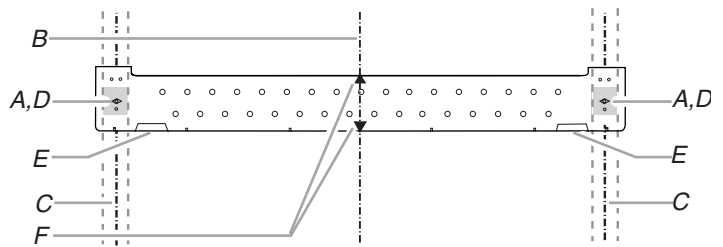


NOTE: If wall stud is within 6" (15.2 cm) of the vertical centerline (see "Mark Rear Wall" section), only recirculation or roof venting installation can be done.

Wall Stud at One End Hole
Figure 3



Wall Studs at Both End Holes
Figure 4

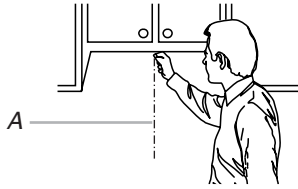


- A. End holes (on mounting plate)
- B. Cabinet opening vertical centerline
- C. Wall stud centerlines
- D. Holes for lag screws
- E. Support tabs
- F. Mounting plate center markers

Mark Rear Wall

The microwave oven must be installed on a minimum of 1 wall stud, preferably 2, using a minimum of 1 lag screw, preferably 2.

- Using measuring tape, find and clearly mark the vertical centerline of the opening.

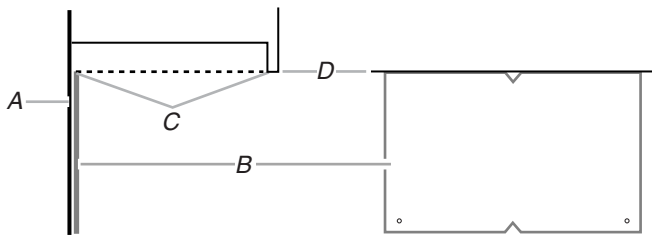


A. Centerline

- Align the center markers on the cardboard template to the centerline on the wall, making sure it is level, and that the top of the cardboard template is butted up against the bottom edge of the upper cabinet.

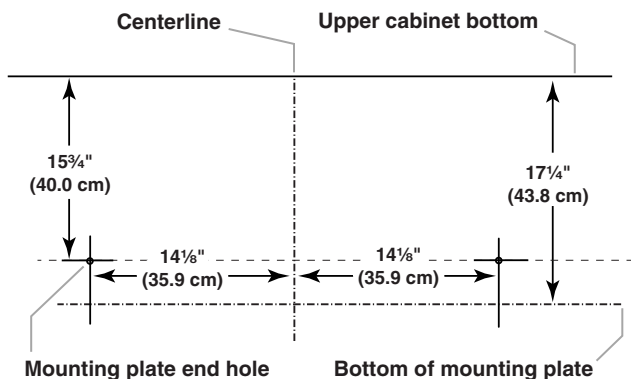
NOTES:

- If the front edge of the upper cabinet is lower than the back edge, lower the cardboard template so that its top is level with the front edge of the cabinet.
- If the cardboard template is damaged or unusable, measure and mark the wall with the dimensions described in Step 4.



A. Rear wall
B. Cardboard template
C. Top of cardboard template must align with front edge of cabinet.
D. Front edge of upper cabinet

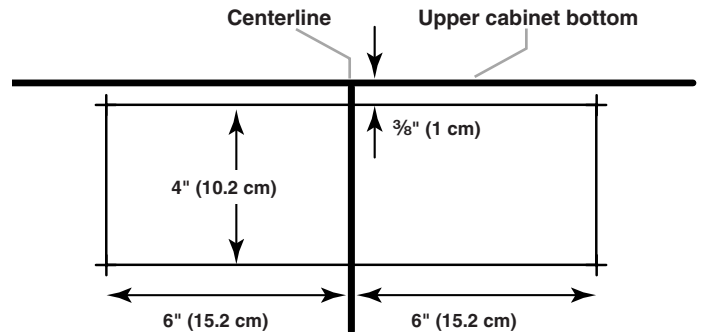
- Holding the cardboard template in place, mark both holes in the lower corners, and draw a horizontal line across the bottom edge of the cardboard template. These represent the mounting plate's end holes and bottom edge.
- Remove the cardboard template and check the markings:



- The bottom edge line must be 17 1/4" (43.8 cm) from the bottom of the upper cabinet, and must be level.
- The end holes must be 15 3/4" (40.0 cm) from the bottom edge of the upper cabinet, and must be on a level line with each other. They must each be 14 1/8" (35.9 cm) from the centerline.

- With the support tabs facing forward (see illustrations in "Locate Wall Stud(s)" section, align the mounting plate center markers to the centerline on the wall, making sure its bottom edge is aligned to the horizontal line drawn in Step 3, and that the end holes are properly marked. Make sure the mounting plate is level.
- Holding the mounting plate in place, find the wall stud centerline(s) drawn in Step 2 of "Locate Wall Stud(s)," and mark at least 1, preferably 2 hole(s) through the mounting plate, closest to the wall stud centerline(s). See figures 1, 2 and/or 3 in "Possible Wall Stud Configurations" in "Locate Wall Stud(s)" section. The blackened holes in the shaded areas are ideal hole locations.
- Set the mounting plate aside.

Wall Venting Installation Only



- Mark the centerline 3/8" (1 cm) down from the bottom edge of the upper cabinet.
- Using measuring tape, measure out 6" (15.2 cm) on both sides of the centerline, and mark.
- Measure down 4" (10.2 cm) from the mark made in Step 6, and mark.
- Using a straightedge, draw the 2 horizontal, level lines through the marks made in steps 6 and 8.
- Draw the 2 vertical, plumb lines down from the marks made in Step 7 to complete the 12" x 4" (30.5 x 10.2 cm) rectangle. This is the venting cutout area.
- Cut a 3/4" (19 mm) hole in one corner of the cutout area.
- Using a keyhole saw, cut out the venting cutout area.

Drill Holes in Rear Wall

In addition to being installed on at least 1 wall stud, the mounting plate must attach to the wall at both end holes. If the holes are not over wall studs, use two 1/4-20 x 3" round-head bolts with toggle nuts; if 1 hole is over a wall stud, use 1 lag screw and one 1/4-20 x 3" round-head bolt with toggle nut; or if both holes are over wall studs, use 2 lag screws. Following are 3 installation configurations.

Installation for No Wall Studs at End Holes (Figures 1 & 2)

- Drill 3/4" (19 mm) holes through the wall at both end holes marked in Step 3 of "Mark Rear Wall."
- Drill 3/16" (5 mm) hole(s) into the wall stud(s) at the hole(s) marked in Step 6 of "Mark Rear Wall." Refer to figures 1 and 2 in "Possible Wall Stud Configurations" in "Locate Wall Stud(s)" section.

Installation for Wall Stud at One End Hole (Figure 3)

1. Drill a 3/16" (5 mm) hole into the wall stud at the end hole marked in Step 3 of "Mark Rear Wall."
2. If installing on a second wall stud, drill a 3/16" (5 mm) hole into the wall stud at the other hole marked in Step 6 of "Mark Rear Wall." Refer to Figure 3 in "Possible Wall Stud Configurations" in "Locate Wall Stud(s)" section.
3. Drill a 3/4" (19 mm) hole through the wall at the other end hole.

Installation for Wall Studs at Both End Holes (Figure 4)

Drill 3/16" (5 mm) holes into the studs at the end holes marked in Step 3 of "Mark Rear Wall."

Attach Mounting Plate to Wall

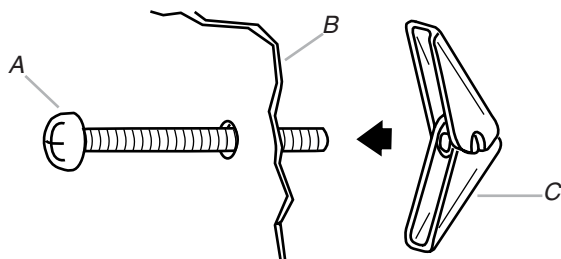
NOTE: Secure the mounting plate to the wall at both end holes drilled into the wall studs and/or drywall using either 1/4-20 x 3" round-head bolts and toggle nuts or 1/4 x 2" lag screws.

Refer to illustrations in "Possible Wall Stud Configurations" in "Locate Wall Stud(s)" section.

No Wall Studs at End Holes (Figures 1 & 2)

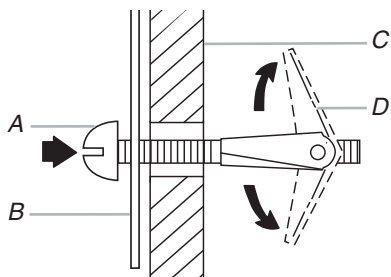
NOTE: The mounting plate must be secured to the wall on at least 1 wall stud as well as at both ends.

1. With the support tabs of the mounting plate facing forward, insert 1/4-20 x 3" round-head bolts through both end holes of mounting plate.
2. Start toggle nuts on bolts from the back of the mounting plate. Leave enough space for the toggle nuts to go through the wall and to open.



A. 1/4-20 x 3" round-head bolt
B. Mounting plate
C. Spring toggle nut

3. Position mounting plate on the wall.
4. Push the 2 bolts with toggle nuts through the drywall, and finger tighten the bolts to make sure toggle nuts have opened against drywall.



A. 1/4-20 x 3" round-head bolt
B. Mounting plate
C. Drywall
D. Spring toggle nut

5. Insert lag screw(s) into the hole(s) drilled into wall stud(s) in Step 2 of "Installation for No Wall Studs at End Holes" in the "Drill Holes in Rear Wall" section.
6. Check alignment of mounting plate, making sure it is level.
7. Securely tighten all lag screws and bolts.

Wall Stud at One End Hole (Figure 3)

1. With the support tabs of the mounting plate facing forward, insert a 1/4-20 x 3" round-head bolt through the end hole that fits over the 3/4" (19 mm) hole drilled in Step 3 of "Installation for Wall Stud at One End Hole" in the "Drill Holes in Rear Wall" section.
2. Start a toggle nut on the bolt from the back of the mounting plate. Leave enough space for the toggle nut to go through the wall and to open.
3. Position mounting plate on the wall.
4. Push the bolt with toggle nut through the drywall, and finger tighten the bolt to make sure toggle nut has opened against drywall.
5. Insert a lag screw into the remaining end hole.
6. If installing on a second wall stud, insert a lag screw into the other hole drilled in Step 2 of "Installation for Wall Stud at One End Hole" in the "Drill Holes in Rear Wall" section.
7. Check alignment of mounting plate, making sure it is level.
8. Securely tighten the lag screw(s) and bolt.

Wall Studs at Both End Holes (Figure 4)

1. Position mounting plate on the wall.
2. Insert lag screws into both end holes.
3. Check alignment of mounting plate, making sure it is level.
4. Securely tighten the lag screws.

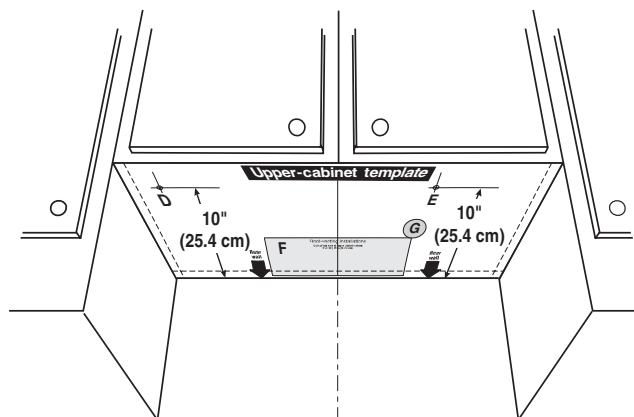
Prepare Upper Cabinet

1. Disconnect power to outlet.
2. Remove all contents from upper cabinet.
3. Place Upper Cabinet Template against the bottom of the upper cabinet, and attach with tape or thumbtacks. Make sure the template centerline aligns with the vertical centerline on the rear wall.

The "rear wall" arrows must be against the rear wall so that the holes cut into the upper cabinet align with the holes in the top of the microwave oven.

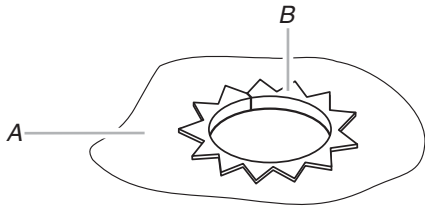
NOTE: If the upper cabinet has a frame around it, trim the template edges so that it fits inside the frame, against the upper cabinet bottom. The template has trim lines to use as guides.

4. Make sure the 10" (25.4 cm) dimension from the rear wall to points "D" and "E" on the template is maintained.



- Cut the 1½" (3.8 cm) diameter hole at the circular shaded area "G" on the template. This hole is for the power supply cord.

NOTE: If upper cabinet is metal, the supply cord bushing needs to be installed around the supply cord hole, as shown.



A. Metal cabinet
B. Power supply cord bushing

- Drill 3/8" (10 mm) holes at points "D" and "E" on the template. These are for two 1/4-20 x 3" bolts and washers used to secure the microwave oven to the upper cabinet.

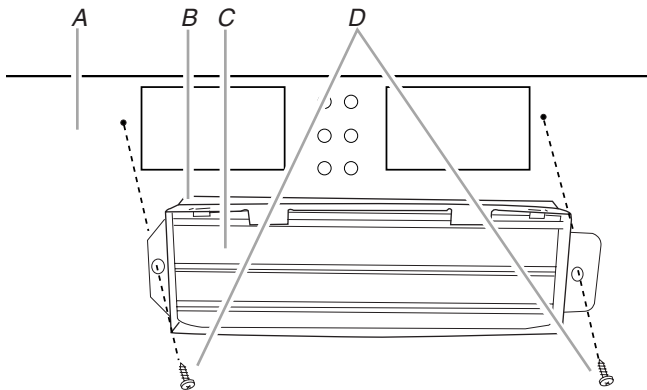
For Roof Venting Installation Only

- Cut 3/4" (19 mm) hole at one corner of the shaded rectangular area "F" on Upper Cabinet Template.
- Using a keyhole saw, cut out the rectangular area.

Install Damper Assembly

(for wall venting only)

- Check that damper blade moves freely, and opens fully.
- Position the damper assembly on the back of the microwave oven so that the damper blade hinge is at the top, and the damper blade opens away from the microwave oven.



A. Back of microwave oven
B. Damper assembly
C. Damper blade
D. Sheet metal screws

- Secure damper assembly with 2 sheet metal screws.

Install the Microwave Oven

⚠ WARNING

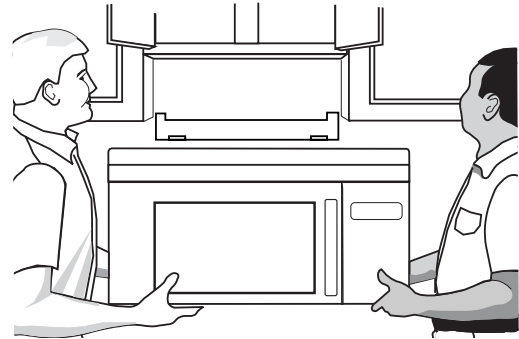
Excessive Weight Hazard

Use two or more people to move and install microwave oven.

Failure to do so can result in back or other injury.

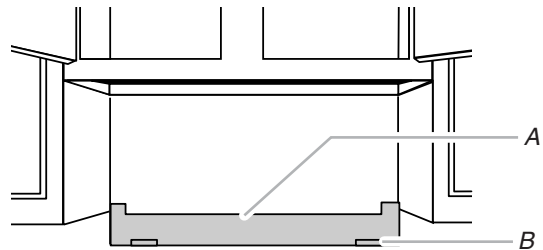
IMPORTANT: The control side of the microwave oven is the heavy side. Handle the microwave oven gently.

- Place a washer on each 1/4-20 x 3" flat-head bolt and place inside upper cabinet near the 3/8" (10 mm) holes.
- Make sure the microwave oven door is closed and taped shut.



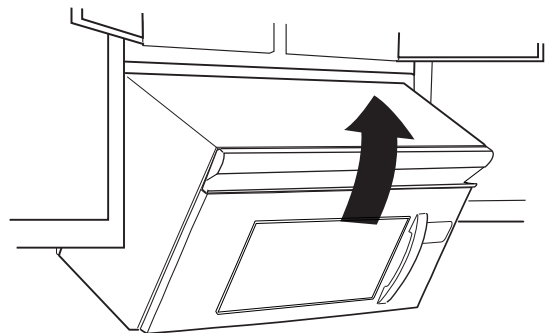
- Using 2 or more people, lift microwave oven and hang it on support tabs at the bottom of mounting plate.

NOTE: To avoid damage to the microwave oven, do not grip or use the door or door handle while the microwave oven is being handled.



A. Mounting plate
B. Support tabs

- With front of microwave oven still tilted, thread power supply cord through the power supply cord hole in the bottom of the upper cabinet.



- Rotate microwave oven up toward upper cabinet.

NOTE: If venting through the wall, make sure the damper assembly fits easily into the vent in the wall cutout.

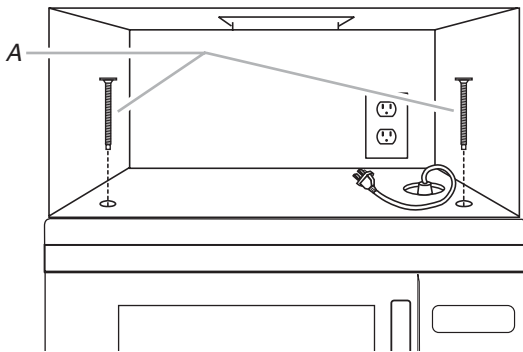
- Push microwave oven against mounting plate and hold in place.

NOTE: If microwave oven does not need to be adjusted, skip steps 7-9.

7. If adjustment is required, rotate microwave oven downward. Using 2 or more people, lift microwave oven off of mounting plate, and set aside on a covered surface.
8. Loosen mounting plate screws. Adjust mounting plate and retighten screws.
9. Repeat steps 3-6.
10. With the microwave oven centered, and with at least one person holding it in place, insert bolts through upper cabinet into microwave oven. Tighten bolts until there is no gap between upper cabinet and microwave oven.

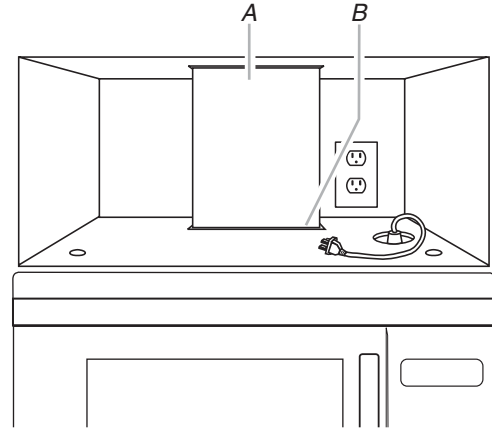
NOTES:

- Some upper cabinets may require bolts longer or shorter than 3" (7.6 cm). Longer or shorter bolts are available at most hardware stores.
- Overtightening bolts may warp the top of the microwave oven. To avoid warping, wood filler blocks (installer to provide) may be added. The blocks must be the same thickness as the space between the upper cabinet bottom and the microwave oven.



A. Bolts

2. Connect vent to damper assembly.



A. Vent
B. Damper assembly (under vent)

Complete Installation

1. Refer to the Use and Care Guide for instructions on how to install filters into your model.

⚠ WARNING



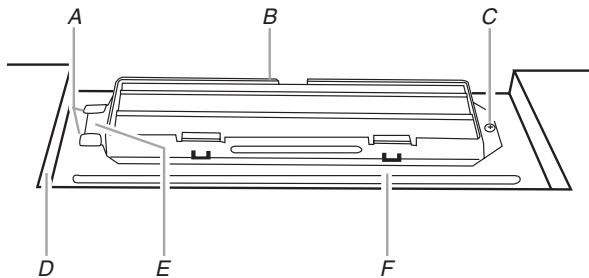
Electrical Shock Hazard

- Plug into a grounded 3 prong outlet.**
- Do not remove ground prong.**
- Do not use an adapter.**
- Do not use an extension cord.**
- Failure to follow these instructions can result in death, fire, or electrical shock.**

For Roof Venting Installation Only

1. Insert damper assembly through the cabinet cutout so that the long tab of the damper assembly slides under the raised tabs of the damper plate. Then secure with sheet metal screw.

NOTE: The screw cannot be installed if the damper assembly is not positioned as shown.



A. Raised tabs
B. Damper assembly
C. Sheet metal screw
D. Upper cabinet cutout
E. Long tab
F. Damper plate

2. Plug microwave oven into grounded 3 prong outlet.
3. Reconnect power.
4. Check the operation of microwave oven by placing 1 cup (250 mL) of water on the turntable, and programming a cook time of 1 minute at 100% power. Test vent fan and exhaust by operating the vent fan.
5. If the microwave oven does not operate:
 - Check that a household fuse has not blown, or that a circuit breaker has not tripped. Replace the fuse or reset the circuit breaker. If the problem continues, call an electrician.
 - Check that the power supply cord is plugged into a grounded 3 prong outlet.
 - See the Use and Care Guide for troubleshooting information.

Installation is now complete.
Save Installation Instructions for future use.

VENTING DESIGN SPECIFICATIONS

This section is intended for architectural designer and builder/contractor reference only.

NOTES:

- Vent materials needed for installation are not provided with microwave hood.
- We do not recommend using a flexible metal vent.
- To avoid possible product damage, be sure to vent air outside, unless using recirculation installation. Do not vent exhaust air into concealed spaces, such as spaces within walls or ceilings, attics, crawl spaces or garages.

For optimal venting installation, we recommend:

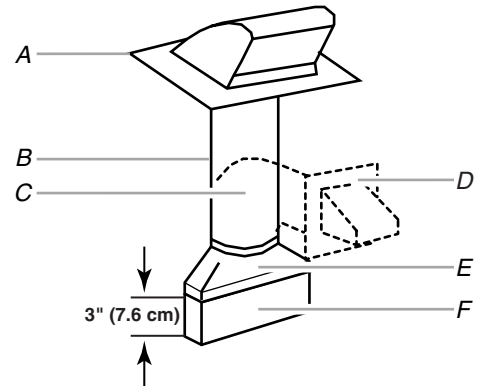
- using roof or wall caps that have back draft dampers
- using a rigid metal vent
- using the most direct route by minimizing the length of the vent and number of elbows to provide efficient performance
- using uniformly sized vents
- using duct tape to seal all joints in the vent system
- using caulking compound to seal exterior wall or roof opening around cap
- not installing 2 elbows together, for optimal hood performance

If venting through the wall, be sure that there is proper clearance within the wall for the damper to open fully.

If venting through the roof, and rectangular to round transition is used, be sure there is at least 3" (7.6 cm) of clearance between the top of the microwave oven and the transition piece. See "Rectangular to Round Transition" illustration.

Rectangular to Round Transition

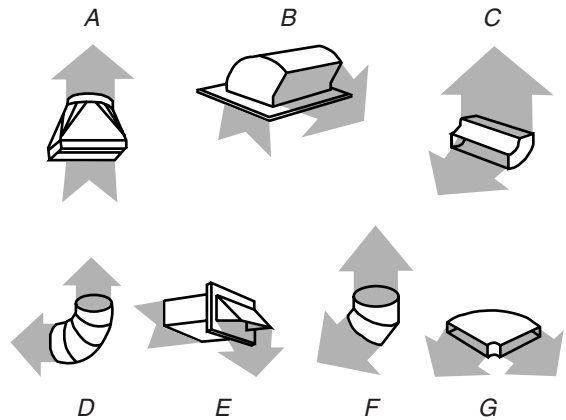
NOTE: The minimum 3" (7.6 cm) clearance must exist between the top of the microwave oven and the rectangular to round transition piece so that the damper can open freely and fully.



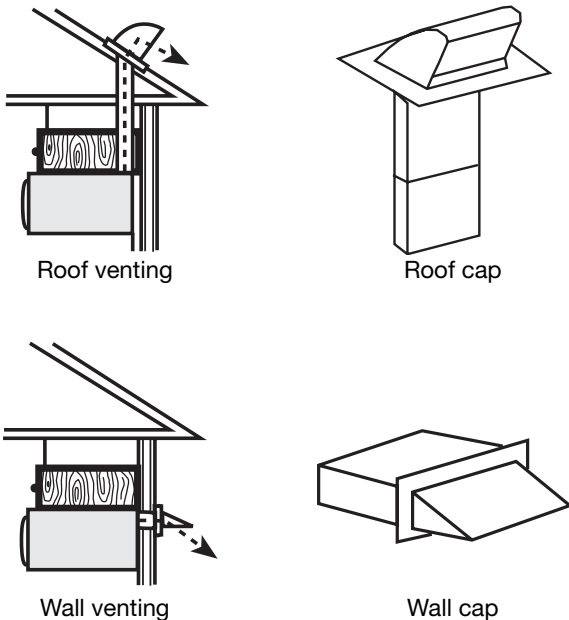
- A. Roof cap
- B. 6" (15.2 cm) min. diameter round vent
- C. Elbow (for wall venting only)
- D. Wall cap
- E. 3 1/4" x 10" to 6" (8.3 x 25.4 cm to 15.2 cm) rectangular to round transition piece
- F. Vent extension piece, at least 3" (7.6 cm) high

Recommended Standard Fittings

The following length equivalents are for use when figuring vent length. See the examples in "Recommended Vent Length."



- A. Rectangular to round transition piece: 3 1/4" x 10" to 6" = 5 ft (8.3 x 25.4 cm to 15.2 cm = 1.5 m)
- B. Roof cap: 3 1/4" x 10" = 24 ft (8.3 x 25.4 cm = 7.3 m)
- C. 90° elbow: 3 1/4" x 10" = 25 ft (8.3 x 25.4 cm = 7.6 m)
- D. 90° elbow: 6" = 10 ft (15.2 cm = 3 m)
- E. Wall cap: 3 1/4" x 10" = 40 ft (8.3 x 25.4 cm = 12.2 m)
- F. 45° elbow: 6" = 5 ft (15.2 cm = 1.5 m)
- G. 90° flat elbow: 3 1/4" x 10" = 10 ft (8.3 x 25.4 cm = 3 m)



Recommended Vent Length

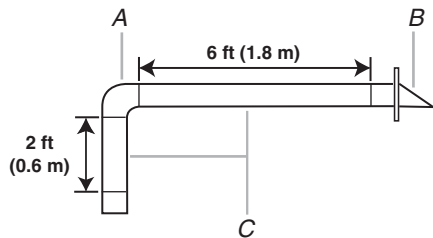
A 3¼" x 10" (8.3 x 25.4 cm) rectangular or 6" (15.2 cm) round vent should be used.

The total length of the vent system including straight vent, elbow(s), transitions and wall or roof caps must not exceed the equivalent of 140 ft (42.7 m) for either type of vent. See "Recommended Standard Fittings" section for equivalent lengths.

For best performance, use no more than three 90° elbows.

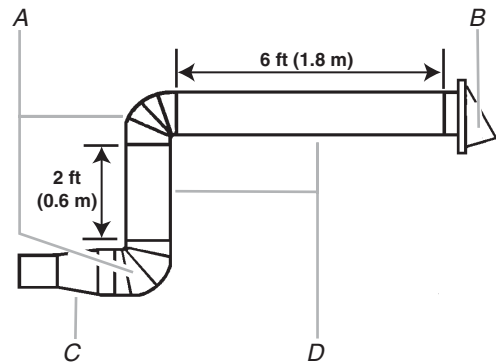
To calculate the length of the system you need, add the equivalent lengths of each vent piece used in the system. See the following examples:

3¼" x 10" (8.3 x 25.4 cm) vent system = 73 ft (22.2 m) total



- A. One 3¼" x 10" (8.3 x 25.4 cm) 90° elbow = 25 ft (7.6 m)
- B. 1 wall cap = 40 ft (12.2 m)
- C. 2 ft (0.6 m) + 6 ft (1.8 m) straight = 8 ft (2.4 m)

6" (15.2 cm) vent system = 73 ft (22.2 m) total



- A. Two 90° elbows = 20 ft (6.1 m)
- B. 1 wall cap = 40 ft (12.2 m)
- C. 1 rectangular to round transition piece = 5 ft (1.5 m)
- D. 2 ft (0.6 m) + 6 ft (1.8 m) straight = 8 ft (2.4 m)

If the existing vent is round, a rectangular to round transition piece must be used. In addition, a rectangular 3" (7.6 cm) extension vent between the damper assembly and rectangular to round transition piece must be installed to keep the damper from sticking.

ASSISTANCE

Call your authorized dealer or service center. When you call, you will need the microwave oven model number and serial number. Both numbers can be found on the model and serial number plate, which is located behind the microwave oven door on the front frame of the microwave oven.

If you need additional assistance, call us at our toll free number or visit our website listed in the Use and Care Guide.

Replacement Parts

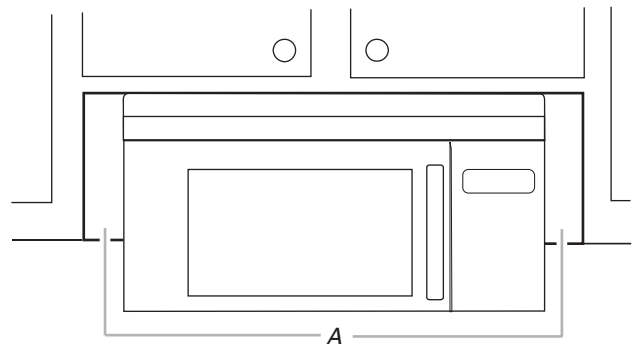
If any of the installation hardware needs to be replaced, call us at our toll free number listed in the User Instructions.

Following is a list of available replacement parts. You will need your model number located on the front facing of the microwave oven opening, behind the door.

- Damper Assembly
- Mounting Plate
- Upper Cabinet Template
- Mounting Screw Kit (includes parts A-G in "Parts Supplied" in the "Tools and Parts" section)

Accessories

Filler Panel Kits are available from your dealer to use when installing this microwave oven in a 36" (91.4 cm) or 42" (106.7 cm) wide opening. The filler panels come in pairs. Each panel is 3" (7.6 cm) wide.



A. Filler panels

Filler Panel Kit Number	8171336	White
	8171337	Black
	8171338	Biscuit
	8171339	Stainless Steel
	99403	Almond

See your authorized dealer or service center for details.

SÉCURITÉ DE L'ENSEMBLE FOUR À MICRO-ONDES/HOTTE

Votre sécurité et celle des autres est très importante.

Nous donnons de nombreux messages de sécurité importants dans ce manuel et sur votre appareil ménager. Assurez-vous de toujours lire tous les messages de sécurité et de vous y conformer.



Voici le symbole d'alerte de sécurité.

Ce symbole d'alerte de sécurité vous signale les dangers potentiels de décès et de blessures graves à vous et à d'autres.

Tous les messages de sécurité suivront le symbole d'alerte de sécurité et le mot "DANGER" ou "AVERTISSEMENT". Ces mots signifient :

DANGER

Risque possible de décès ou de blessure grave si vous ne suivez pas immédiatement les instructions.

AVERTISSEMENT

Risque possible de décès ou de blessure grave si vous ne suivez pas les instructions.

Tous les messages de sécurité vous diront quel est le danger potentiel et vous disent comment réduire le risque de blessure et ce qui peut se produire en cas de non-respect des instructions.

EXIGENCES D'INSTALLATION

Outillage et pièces

Outillage nécessaire

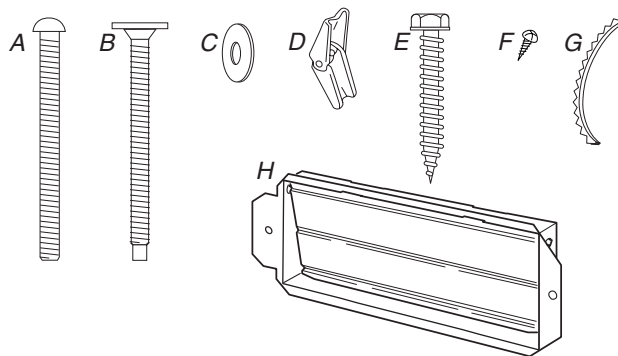
Rassembler les outils et pièces nécessaires avant de commencer l'installation. Lire et suivre les instructions fournies avec les outils mentionnés ici.

- Mètre ruban
- Crayon
- Ruban de masquage ou punaises
- Ciseaux
- Tournevis Phillips n° 2
- Tournevis Phillips n° 3 (pour vis 1/4-20 x 3")
- Perceuse électrique
- Mèches de 3/16" (5 mm) et 3/8" (10 mm)
- Scie à guichet de 3/4" (19 mm)
- Détecteur magnétique (détection des poteaux du colombage)
- Clé à douille de 7/16" (ou clé mixte), pour vis d'ancrage de 1/4" x 2"
- Scie à trou de 1 1/2" (3,8 cm) de diamètre pour placard de bois ou métallique
- Scie à guichet
- Pistolet à calfeutrage et composé de calfeutrage résistant aux intempéries
- Ruban adhésif pour conduit

Pièces fournies

Pour la commande de pièces, voir la section "Pièces de rechange".

REMARQUE : Les articles de quincaillerie présentés ci-dessous sont destinés à l'utilisation sur un colombage de bois. En présence d'une structure de mur différente, utiliser les organes de fixation appropriés.



- A. Vis à tête ronde de 1/4-20 x 3" (2)
- B. Vis à tête plate de 1/4-20 x 3" (2)
- C. Rondelles (2)
- D. Écrous articulés (2)
- E. Vis d'ancrage de 1/4" x 2" (2)
- F. Vis de tôlerie (2)
- G. Garniture pour trou de passage du cordon d'alimentation (1)
- H. Module de clapet anti-reflux (pour décharge à travers le mur ou le toit)

Composants non illustrés :

Gabarit pour placard mural
Plaque de montage (fixation à l'arrière du four à micro-ondes)
Gabarit de carton (fait partie de l'emballage)
Filtres à graisse en aluminium
Filtres à charbon (selon le modèle, les filtres à charbon peuvent ne pas être inclus. Voir le Guide d'utilisation et d'entretien.)

REMARQUE : Selon le modèle de l'appareil, le filtre à graisse en aluminium et le filtre à charbon peuvent être combinés.

Matériaux nécessaires

- Composants standard pour décharge à travers le mur ou à travers le toit. Voir la section "Spécifications du circuit d'évacuation".

Ôter du gabarit de carton

Le morceau de carton du dessus de l'emballage du four à micro-ondes est perforé. La partie à l'intérieur des trous de perforation est à utiliser comme gabarit de mur arrière.

1. Découper le long des trous perforés pour détacher le gabarit du reste de l'emballage de carton.
2. Mettre le gabarit de carton de côté et s'y référer lors de l'étape d'installation "Tracé sur le mur arrière".

Exigences d'emplacement

Inspecter l'espace où le four à micro-ondes sera installé. L'emplacement d'installation doit disposer de :

- Dimensions minimales à respecter lors de l'installation. Voir l'illustration "Dimensions à respecter lors de l'installation".
- Au moins un poteau de colombage en bois 2" x 4" (50,8 x 101,6 mm), et parement de plâtre ou panneau de gypse d'épaisseur 3/8" (9,5 mm) ou plus, dans l'ouverture du placard.
- Capacité de support de charge de 150 lb (68 kg), ceci incluant le four à micro-ondes et les articles placés à l'intérieur du four à micro-ondes et du placard mural.
- Prise de courant électrique reliée à la terre à l'intérieur du placard mural. Voir la section "Spécifications électriques".

REMARQUES :

- Dans le cas de l'installation du four à micro-ondes à proximité d'une paroi latérale sur le côté gauche, veiller à laisser un espace libre de 6" (15,2 cm) ou plus entre le mur et le four à micro-ondes, pour permettre la manœuvre d'ouverture complète de la porte.
- Les matériaux de certains placards et certains matériaux de construction ne sont pas conçus pour résister à la chaleur émise par le four à micro-ondes lors des opérations de cuisson. Consulter le constructeur de la maison ou le fabricant des placards pour déterminer si les matériaux utilisés pourraient subir un changement de couleur, une déstratification ou d'autres dommages.

Exigences spéciales

Pour une installation avec décharge murale seulement :

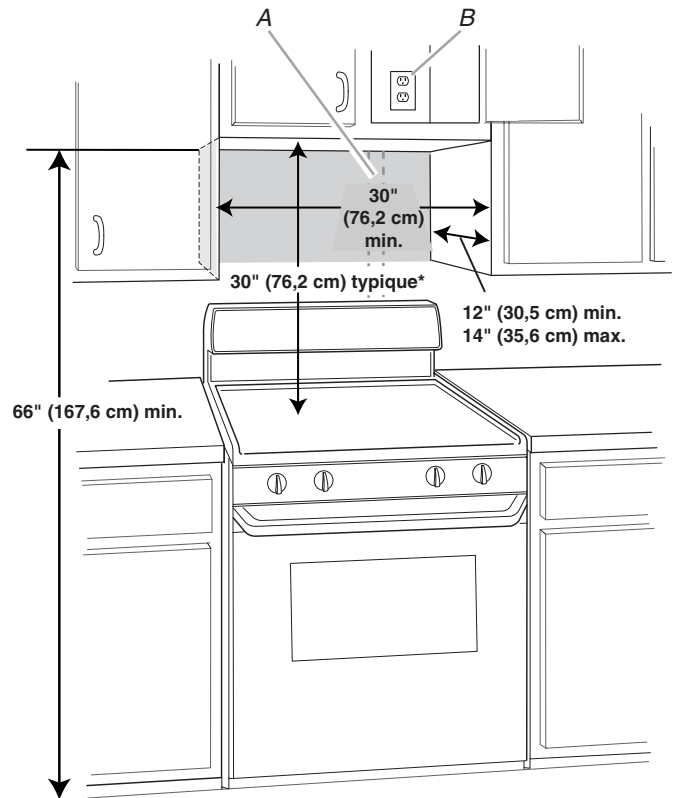
- L'ouverture découpée doit être exempte d'obstruction pour l'ajustement adéquat du conduit, et pour que le clapet anti-reflux puisse manœuvrer complètement et librement.

Pour une installation avec décharge à l'extérieur à travers le toit seulement :

- S'il est nécessaire d'utiliser un raccord de transition rectangulaire/ronde, on doit disposer d'un espace libre de 3" (7,6 cm) au-dessus du four à micro-ondes pour la lame du clapet anti-reflux puisse manœuvrer complètement et librement. Voir l'illustration "Raccord de transition rectangulaire/ronde" à la section "Spécifications du circuit d'évacuation".

Dimensions à respecter lors de l'installation

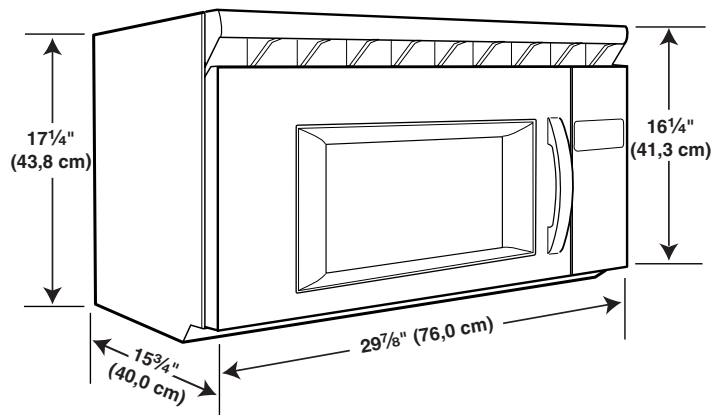
REMARQUE : La prise de courant à 3 alvéoles reliée à la terre doit être située à l'intérieur du placard mural. Voir la section "Spécifications électriques".



A. Poteau du colombage mural de 2" x 4"
B. Prise à 3 alvéoles reliée à la terre

*30" (76,2 cm) est typique pour une hauteur d'installation de 66" (167,6 cm). Les dimensions exactes peuvent varier en fonction du type de cuisinière/table de cuisson se trouvant en-dessous.

Dimensions du produit



Spécifications électriques

⚠ AVERTISSEMENT



Risque de choc électrique

Brancher sur une prise à 3 alvéoles reliée à la terre.

Ne pas enlever la broche de liaison à la terre.

Ne pas utiliser un adaptateur.

Ne pas utiliser un câble de rallonge.

Le non-respect de ces instructions peut causer un décès, un incendie ou un choc électrique.

Observer les dispositions de tous les codes et règlements en vigueur.

Nécessaire :

- Une alimentation électrique de 120 volts, 60 Hz, CA seulement, 15 ou 20 ampères, protégée par un fusible ou un disjoncteur.

Recommandé :

- Un fusible temporisé ou un disjoncteur temporisé.
- Un circuit distinct exclusif à ce four à micro-ondes.

INSTRUCTIONS DE LIAISON À LA TERRE

- **Pour tout appareil ménager connecté par un cordon de courant électrique :**

Il faut que le four à micro-ondes soit relié à la terre. En cas de court-circuit électrique, la liaison à la terre réduit le risque de choc électrique car le courant électrique dispose d'un itinéraire direct d'acheminement à la terre. Le four à micro-ondes est doté d'un cordon de courant électrique qui comporte un fil de liaison à la terre, avec broche de liaison à la terre. On doit brancher la fiche sur une prise de courant convenablement installée et reliée à la terre.

AVERTISSEMENT : L'utilisation incorrecte du dispositif de liaison à la terre peut susciter un risque de choc électrique. L'utilisateur qui ne comprend pas bien les instructions de liaison à la terre, ou qui n'est pas certain que le four à micro-ondes soit convenablement relié à la terre, devrait consulter un électricien qualifié.

Ne pas utiliser un câble de rallonge. Si le cordon de courant électrique est trop court, demander à un électricien qualifié d'installer une prise de courant à proximité du four à micro-ondes.

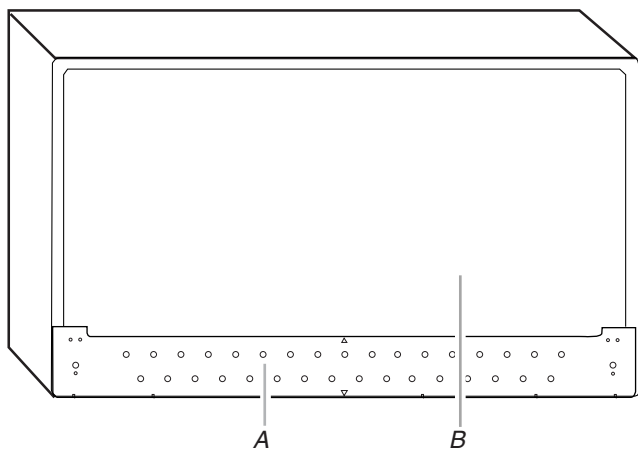
CONSERVEZ CES INSTRUCTIONS

INSTRUCTIONS D'INSTALLATION

Dépose de la plaque de montage

REMARQUE : Couvrir la surface de travail pour éviter de l'endommager.

1. Retirer de la cavité du four à micro-ondes tous les articles qui peuvent s'y trouver.
2. Ôter la plaque de montage et la mettre de côté.



A. Plaque de montage

B. Face arrière du four à micro-ondes

3. Utiliser du ruban adhésif pour immobiliser la porte fermée du four à micro-ondes afin qu'elle ne puisse pas s'ouvrir durant la manipulation du four.

REMARQUE : Pour éviter d'endommager le four à micro-ondes, ne pas prendre prise sur la porte ou la poignée de la porte durant la manipulation du four à micro-ondes.

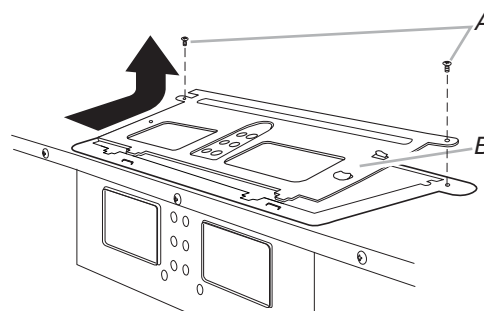
Réorientation du moteur du ventilateur

Le four à micro-ondes a été configuré à l'usine pour une installation avec recyclage de l'air. Pour la décharge de l'air aspiré à travers le mur ou à travers le toit, on doit modifier le système de ventilation du four.

REMARQUE : Si le produit est destiné à être utilisé avec recyclage de l'air, ne pas tenir compte de cette section. Conserver le module du clapet pour le cas où une autre méthode d'évacuation serait utilisée ultérieurement ou dans le cas où le four à micro-ondes serait réinstallé ultérieurement en un autre endroit, avec décharge à l'extérieur à travers le mur ou à travers le toit.

Pour une installation avec décharge murale seulement

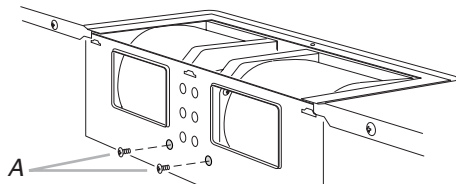
1. Ôter les vis fixant la plaque de support du clapet anti-reflux à la partie supérieure de l'extérieur du four à micro-ondes. Faire glisser la plaque de support du clapet anti-reflux vers l'avant du four à micro-ondes et soulever.



A. Vis

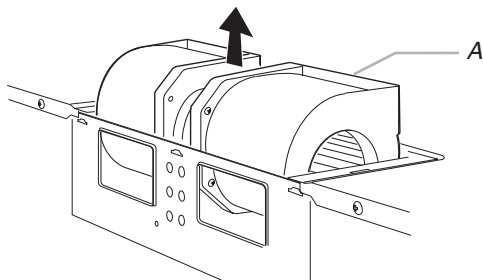
B. Plaque de support du clapet anti-reflux

2. Conserver ensemble la plaque de support du clapet et les vis.
3. Retirer les 2 vis fixant le moteur du ventilateur à l'arrière du four à micro-ondes.



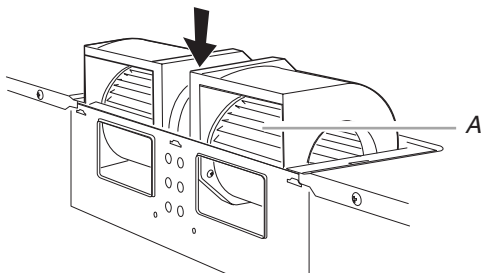
A. Vis (dans les trous encastrés)

4. Soulever le moteur du ventilateur pour le sortir du four à micro-ondes.



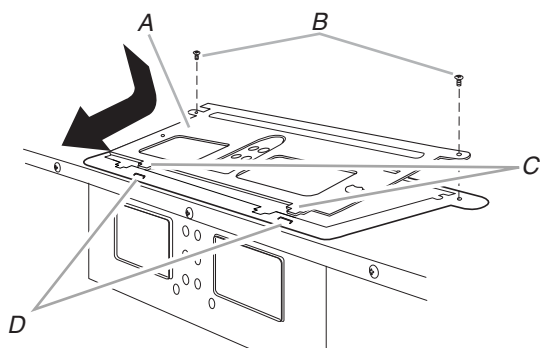
A. Moteur du ventilateur

5. Faire pivoter le moteur du ventilateur de 180° pour que les orifices de sortie soient alignés avec l'arrière du four à micro-ondes, et rabaisser le moteur du ventilateur dans le four à micro-ondes.



A. Orifice de sortie

6. Fixer à nouveau le moteur du ventilateur à l'arrière du four à micro-ondes avec les 2 vis ôtées à l'étape 3.
7. Fixer à nouveau la plaque de support du clapet. Vérifier que les onglets de la plaque de support du clapet sont insérés dans les fentes situées sur la partie supérieure du four à micro-ondes.

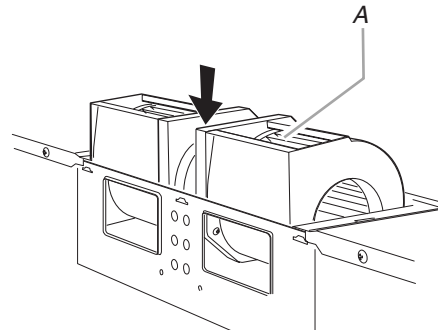


A. Plaque de support du clapet
B. Vis
C. Onglets de la plaque de support du clapet
D. Fentes

8. Fixer la plaque de support du clapet à l'aide des 2 vis qui ont été retirées à l'étape 1.

Pour une installation avec décharge à l'extérieur à travers le toit seulement

1. Répéter l'étape 1 de "Pour une installation avec décharge murale seulement".
2. Répéter l'étape 2 de "Pour une installation avec décharge murale seulement".
3. Répéter l'étape 3 de "Pour une installation avec décharge murale seulement".
4. Répéter l'étape 4 de "Pour une installation avec décharge murale seulement".
5. Faire pivoter le moteur du ventilateur pour que les orifices de sortie soient orientés vers le haut du four à micro-ondes, et que les côtés plats du moteur du ventilateur soient orientés vers l'arrière du four à micro-ondes. Rabaisser le moteur du ventilateur dans le four à micro-ondes.



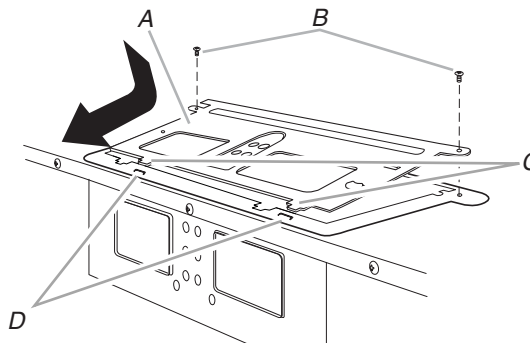
A. Orifice de sortie

IMPORTANT : Si le moteur du ventilateur n'est pas positionné avec les côtés plats orientés vers l'arrière du four à micro-ondes (tel qu'illustré), le rendement sera médiocre.

6. Fixer à nouveau le moteur du ventilateur à l'arrière du four à micro-ondes avec les 2 vis ôtées à l'étape 3 de la section "Pour une installation avec décharge murale seulement". Bien serrer les vis.

REMARQUE : Si le moteur du ventilateur n'est pas correctement orienté, les 2 vis ôtées à l'étape 3 ne peuvent pas être réinstallées sur le four à micro-ondes.

7. Fixer à nouveau la plaque de support du clapet. Vérifier que les onglets de la plaque de support du clapet sont insérés dans les fentes situées sur la partie supérieure du four à micro-ondes.



A. Plaque de support du clapet
B. Vis
C. Onglets de la plaque de support du clapet
D. Fentes

8. Fixer la plaque de support du clapet à l'aide des 2 vis qui ont été retirées à l'étape 1 de la section "Pour une installation avec décharge murale seulement".

Identifier la position du/des poteau(x) du colombage mural

REMARQUE : S'il n'y a aucun poteau du colombage mural dans la zone délimitée par l'ouverture dans le placard mural, ne pas installer le four à micro-ondes.

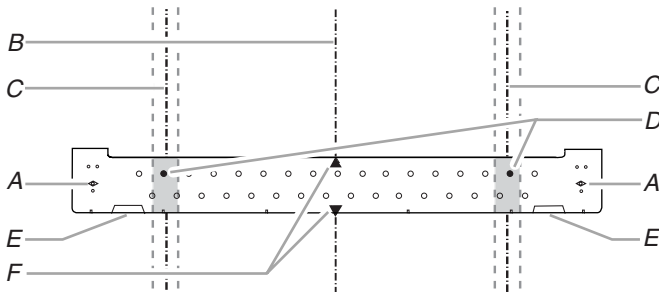
Voir les illustrations à la section "Configurations possibles du colombage mural".

1. Utiliser un détecteur magnétique de clou/vis pour localiser dans l'ouverture les rives de/des poteau(x) du colombage mural.
2. Marquer la position du centre de chaque poteau du colombage, et tracer l'axe de chaque poteau à l'aide d'un fil à plomb. Voir les illustrations à la section "Configurations possibles du colombage mural".

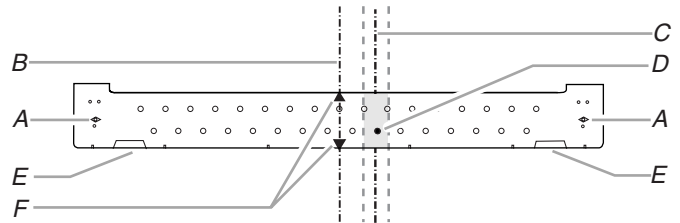
Configurations possibles du colombage mural

Les illustrations ci-dessous présentent des exemples de configurations préférées d'installation avec la plaque de montage.

Aucun poteau du colombage à la position des trous d'angle
Figure 1

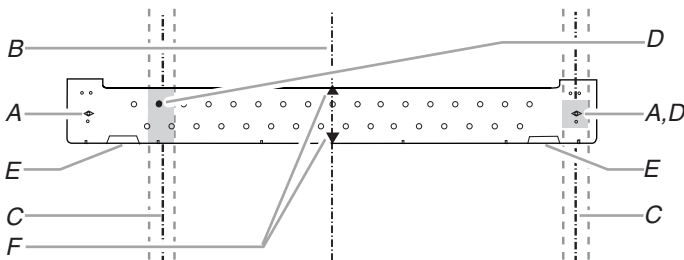


Aucun poteau du colombage à la position des trous d'angle
Figure 2

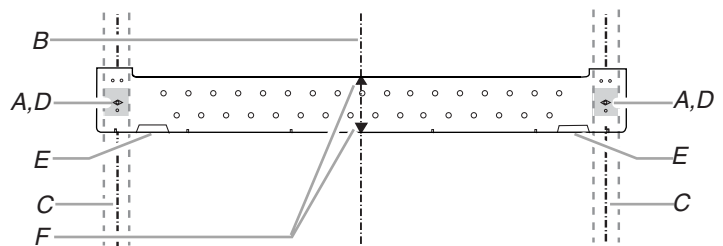


REMARQUE : Si le poteau mural se trouve à moins de 6" (15,2 cm) de l'axe central vertical (voir la section "Tracé sur le mur arrière"), seule une installation sans décharge à l'extérieur (recyclage) ou une installation avec décharge par le toit peut être réalisée.

Un trou d'angle face à un poteau du colombage mural
Figure 3



Deux trous d'angle face à un poteau du colombage mural
Figure 4

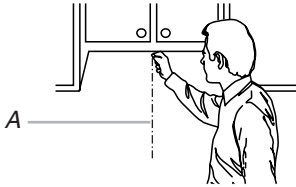


- A. Trous d'angle (sur la plaque de montage)
- B. Axe vertical central de l'ouverture dans le placard
- C. Axe central de poteau du colombage
- D. Trous pour vis d'ancrage
- E. Pattes de support
- F. Repères centraux sur la plaque de montage

Tracé sur le mur arrière

Le four à micro-ondes doit être fixé sur au moins un poteau du colombage mural, et de préférence sur 2 poteaux; on utilise pour cela au moins 1 vis d'ancrage, et de préférence 2 vis ou plus.

1. Utiliser un mètre-ruban; déterminer et marquer clairement la position de l'axe central vertical de l'ouverture.

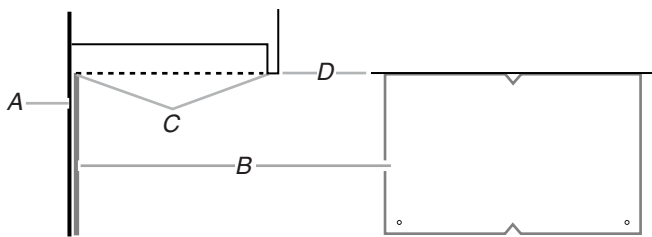


A. Axe central

2. Aligner les repères centraux sur le gabarit de carton avec l'axe central sur le mur; veiller au bon aplomb, et veiller à ce que le sommet du gabarit de carton soit en contact avec le bord inférieur du placard mural.

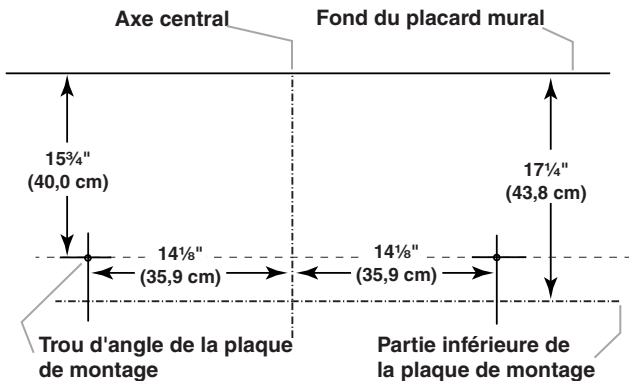
REMARQUES :

- Si la rive avant du placard supérieur est plus basse que la rive arrière, abaisser le gabarit de carton de manière à ce que son sommet soit au même niveau que la rive avant du placard.
- Si le gabarit de carton est endommagé ou inutilisable, mesurer et inscrire les dimensions indiquées à l'étape 4 sur le mur.



A. Mur arrière
B. Gabarit de carton
C. Le sommet du gabarit de carton doit être aligné avec la rive avant du placard.
D. Rive avant du placard mural

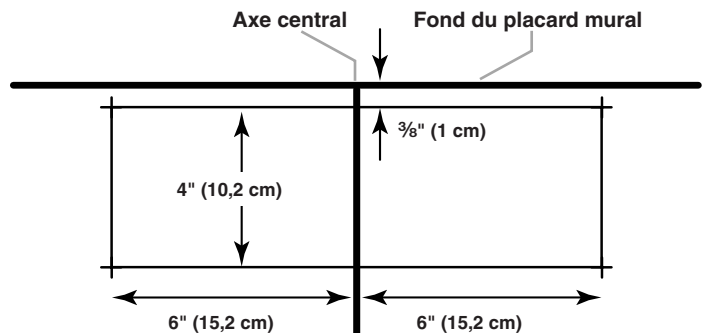
3. Tout en maintenant le gabarit de carton en place, marquer l'emplacement des deux trous situés dans les coins inférieurs et tracer un axe horizontal travers de la rive inférieure du gabarit de carton. Ces marquages représentent les trous d'angle de la plaque de montage ainsi que la rive inférieure.
4. Ôter le gabarit de carton et vérifier les points de tracé :



- L'axe de la rive inférieure doit être situé à $17\frac{1}{4}$ " (43,8 cm) de la partie inférieure du cabinet supérieur et doit être d'aplomb.
- Les trous d'angle doivent être situés à $15\frac{1}{8}$ " (40 cm) de la rive inférieure du placard supérieur et doivent être alignés les uns avec les autres. Chacun doit être situé à $14\frac{1}{8}$ " (35,9 cm) de l'axe central.

5. Une fois les brides de support orientées vers l'avant (voir les illustrations de la section "Identifier l'emplacement du/des poteau(x) de colombage mural"), aligner le tracé du centre de la plaque de montage avec l'axe central sur le mur, en s'assurant que sa rive inférieure est alignée avec l'axe horizontal tracé à l'étape 3 et que les trous d'angle sont correctement indiqués. S'assurer que la plaque de montage est d'aplomb.
6. Tout en maintenant la plaque de montage en place, trouver l'axe central des poteaux du colombage marqués à l'étape 2 de la section "Identifier la position du/des poteaux du colombage mural", et marquer la position d'au moins 1, et de préférence 2, trou(s) à travers la plaque de montage - le plus près possible de l'axe central de chaque poteau du colombage. Voir les figures 1, 2 et/ou 3 de la section "Configurations possibles du colombage mural" à la section "Identifier la position du/des poteaux du colombage mural". Les trous à utiliser de préférence sont ceux qui sont marqués en noir dans les zones grisées.
7. Conserver la plaque de montage à part.

Pour une installation avec décharge murale seulement



8. Marquer un point sur l'axe central à $\frac{3}{8}$ " (1 cm) au-dessous de la rive inférieure du placard mural.
9. Utiliser un mètre-ruban; marquer un point à 6" (15,2 cm) de chaque côté de l'axe central.
10. Marquer un point à 4" (10,2 cm) au-dessous de la marque tracée à l'étape 6.
11. Utiliser une règle; tracer 2 lignes horizontales entre les marques tracées aux étapes 6 et 8.
12. Tracer 2 lignes verticales à partir des marques faites à l'étape 7, pour obtenir un rectangle complet de 12" x 4" (30,5 x 10,2 cm). Ce rectangle délimite la zone à découper pour le passage du conduit d'évacuation.
13. Découper un trou de $\frac{3}{4}$ " (19 mm) dans un coin de la zone à découper.
14. À l'aide d'une scie à guichet, découper la zone à découper pour le passage du conduit d'évacuation.

Perçage de trous dans le mur arrière

En plus de la fixation sur au moins un poteau du colombage, on doit également fixer la plaque de montage sur le mur au niveau des deux trous d'angle inférieurs. Si la position des trous ne coïncide pas avec celle des poteaux du colombage, utiliser deux vis à tête ronde de 1/4-20 x 3" avec écrou articulé; s'il y a un trou en coïncidence avec les poteaux de colombage, utiliser une vis d'ancrage et une vis à tête ronde de 1/4-20 x 3" avec écrou articulé; si les deux trous coïncident avec les poteaux de colombage, utiliser deux vis d'ancrage. On présente ci-dessous 3 configurations d'installation.

Aucun poteau du colombage à la position des trous d'angle (Figures 1 et 2)

1. Percer des trous de 3/4" (19 mm) à travers le mur à l'emplacement des deux trous d'angle marqués à l'étape 3 de la section "Tracé sur le mur arrière".
2. Percer des trous de 3/16" (5 mm) dans le(s) poteau(x) de colombage mural à l'emplacement des trous d'angle marqués à l'étape 6 de la section "Tracé sur le mur arrière". Voir les figures 1 et 2 du paragraphe "Configurations possibles du colombage mural" à la section "Identifier l'emplacement du/des poteau(x) du colombage mural".

Un trou d'angle face à un poteau du colombage mural (Figure 3)

1. Percer un trou de 3/16" (5 mm) à travers le poteau mural à l'emplacement du trou d'angle marqué à l'étape 3 dans "Tracé sur le mur arrière".
2. Si l'on souhaite fixer l'appareil sur un second poteau du colombage mural, percer un trou de 3/16" (5 mm) dans le poteau du colombage mural à l'emplacement de l'autre trou marqué à l'étape 6 dans "Tracé sur le mur arrière". Voir la figure 3 dans le paragraphe "Configurations possibles du colombage mural" à la section "Identifier l'emplacement du/des poteau(x) du colombage mural".
3. Percer un trou de 3/4" (19 mm) à travers le mur au niveau de l'autre trou d'angle.

Deux trous d'angle face à un poteau du colombage mural (Figure 4)

Percer des trous de 3/16" (5 mm) à travers les poteaux du colombage mural à l'emplacement des trous d'angle marqués à l'étape 3 dans "Tracé sur le mur arrière".

Fixation de la plaque de montage sur le mur

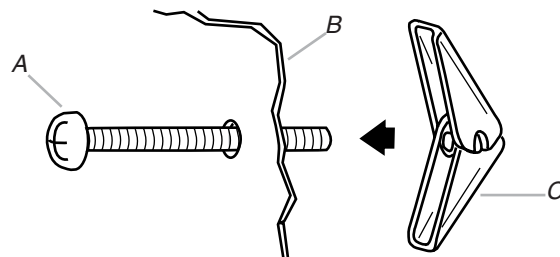
REMARQUE : Fixer la plaque de montage sur le mur, dans les deux trous d'angle percés dans les poteaux du colombage et/ou à travers le panneau de gypse - vis à tête ronde de 1/4-20 x 3" avec écrou articulé ou vis d'ancrage de 1/4 x 2".

Voir les illustrations du paragraphe "Configurations possibles du colombage mural" à la section "Identifier la position du/des poteaux du colombage mural".

Aucun poteau du colombage à la position des trous d'angle (Figures 1 et 2)

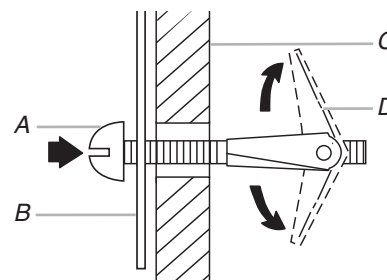
REMARQUE : La plaque de montage doit être fixée sur le mur sur au moins un poteau de colombage, ainsi qu'aux deux angles inférieurs.

1. Alors que les pattes de support de la plaque de montage sont orientées vers l'avant, insérer des vis à tête ronde de 1/4-20 x 3" dans les deux trous d'angle inférieurs de la plaque de montage.
2. Engager un écrou articulé sur chaque vis par l'arrière de la plaque de montage. Veiller à disposer de suffisamment d'espace pour que les écrous articulés puissent traverser le panneau de gypse et se déployer à l'intérieur de la cavité murale.



A. Vis à tête ronde de 1/4-20 x 3"
B. Plaque de montage
C. Écrou articulé

3. Positionner la plaque de montage sur le mur.
4. Pousser les deux vis avec écrou articulé à travers le panneau de gypse; visser les vis à la main pour vérifier que chaque écrou articulé s'est déployé et prend appui contre le panneau de gypse.



A. Vis à tête ronde de 1/4-20 x 3"
B. Plaque de montage
C. Panneau de gypse
D. Écrou articulé

5. Insérer la/les vis d'ancrage dans le/les trou(s) percé(s) dans les poteaux de colombage à l'étape 2 du paragraphe "Aucun poteau du colombage à la position des trous d'angle" de la section "Perçage des trous dans le mur arrière".
6. Contrôler l'alignement de la plaque de montage; veiller à établir un bon aplomb.
7. Serrer solidement toutes les pièces d'ancrage (vis et boulons).

Un trou d'angle face à un poteau du colombage mural (Figure 3)

1. Alors que les pattes de support de la plaque de montage sont orientées vers l'avant, insérer une vis à tête ronde de 1/4-20 x 3" dans le trou d'angle coïncidant avec le trou de 3/4" (19 mm) percé à l'étape 3 du paragraphe "Un trou d'angle face à un poteau du colombage mural" de la section "Perçage des trous dans le mur arrière".
2. Engager un écrou articulé sur la vis par l'arrière de la plaque de montage. Veiller à disposer de suffisamment d'espace pour que l'écrou articulé puisse traverser le panneau de gypse et se déployer à l'intérieur de la cavité murale.
3. Positionner la plaque de montage sur le mur.
4. Pousser la vis avec écrou articulé à travers le panneau de gypse; visser la vis à la main pour vérifier que chaque écrou articulé s'est déployé et prend appui contre le panneau de gypse.
5. Insérer une vis d'ancrage dans le trou d'angle inférieur restant.
6. S'il est possible de fixer également l'appareil sur un second poteau du colombage mural, insérer une vis d'ancrage dans l'autre trou percé à l'étape 2 du paragraphe "Un trou d'angle face à un poteau du colombage mural" de la section "Perçage des trous dans le mur arrière".
7. Contrôler l'alignement de la plaque de montage; veiller à établir un bon aplomb.
8. Serrer solidement toutes les pièces d'ancrage (vis et loulons).

Deux trous d'angle face à un poteau du colombage mural (Figure 4)

1. Positionner la plaque de montage sur le mur.
2. Insérer les vis d'ancrage dans les deux trous d'angle inférieurs.
3. Contrôler l'alignement de la plaque de montage; veiller à établir un bon aplomb.
4. Serrer solidement les vis d'ancrage.

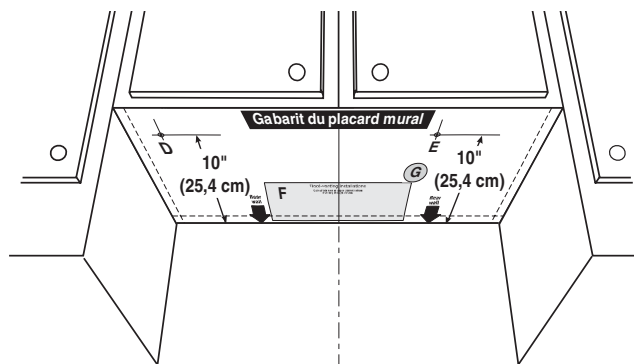
Préparation du placard mural

1. Interrompre l'alimentation électrique.
2. Retirer tout le contenu du placard mural.
3. Placer le gabarit "placard mural" contre le fond du placard mural, et le fixer avec du ruban adhésif ou des punaises. Veiller à aligner l'axe central du gabarit avec l'axe vertical central tracé sur le mur arrière.

Les flèches "rear wall/mur arrière" doivent être contre le mur arrière, pour qu'on puisse obtenir l'alignement des trous découpés dans le placard mural avec les trous situés au sommet du four à micro-ondes.

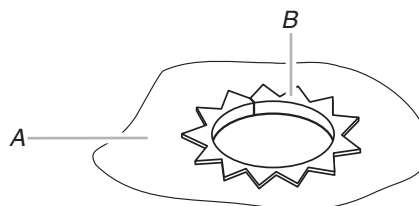
REMARQUE : Si le placard mural comporte un cadre périmétrique, tailler les bords du gabarit de telle manière qu'il puisse s'ajuster dans le cadre, contre le fond du placard mural. Le gabarit comporte des lignes de découpe qu'on peut utiliser comme guides.

4. Veiller à établir la dimension de 10" (25,4 cm) entre le mur arrière et les points "D" et "E" sur le gabarit.



5. Percer le trou de diamètre 1 1/2" (3,8 cm) dans la zone circulaire grisée "G" du gabarit. C'est le trou utilisé pour le passage du cordon d'alimentation.

REMARQUE : Si le placard mural est métallique, la garniture de cordon d'alimentation nécessite d'être installée autour du trou de passage du cordon d'alimentation – voir l'illustration.



A. Placard métallique

B. Garniture du trou de passage du cordon d'alimentation

6. Percer des trous de 3/8" (10 mm) aux points "D" et "E" du gabarit. Ces trous sont utilisés pour le passage de deux vis de 1/4-20 x 3" avec rondelle, utilisées pour la fixation du four à micro-ondes contre le placard mural.

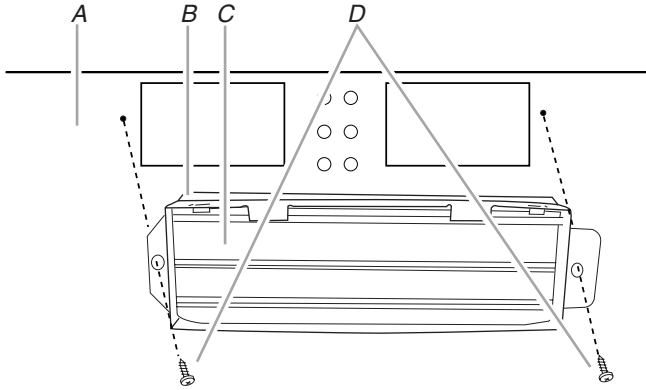
Pour une installation avec décharge à l'extérieur à travers le toit seulement

7. Découper un trou de 3/4" (19 mm) dans un coin de la zone ombrée rectangulaire "F" sur le gabarit "Placard mural".
8. À l'aide d'une scie à guichet, découper la zone rectangulaire.

Installation du module du clapet anti-reflux

(pour décharge à travers le mur uniquement)

1. Vérifier que la lame du clapet anti-reflux manœuvre librement et s'ouvre complètement.
2. Positionner le module du clapet anti-reflux sur la face arrière du four à micro-ondes afin que la charnière de la lame du clapet anti-reflux soit positionnée dans la partie supérieure, et que la lame du clapet anti-reflux s'ouvre sans toucher le four à micro-ondes.



A. Face arrière du four à micro-ondes
B. Module du clapet anti-reflux
C. Lame du clapet anti-reflux
D. Vis de tôlerie

3. Fixer le clapet anti-reflux à l'aide de 2 vis de tôlerie.

Installation du four à micro-ondes

⚠ AVERTISSEMENT

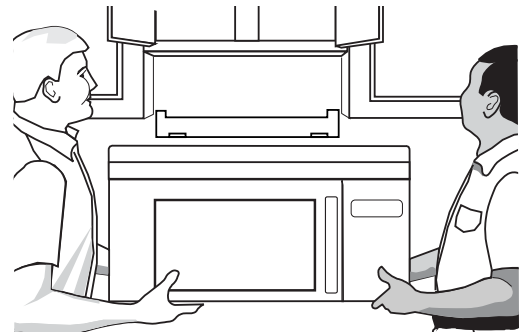
Risque du poids excessif

Utiliser deux ou plus de personnes pour déplacer et installer le four à micro-ondes.

Le non-respect de cette instruction peut causer une blessure au dos ou d'autre blessure.

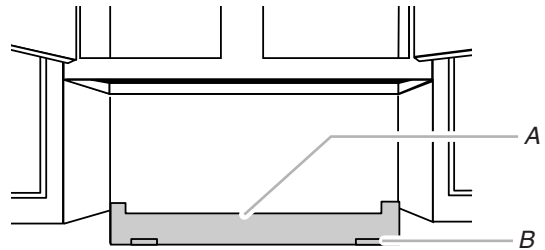
IMPORTANT : Le côté du four à micro-ondes où se trouve la commande est le plus lourd. Manipuler le four à micro-ondes délicatement.

1. Placer une rondelle sur chaque vis à tête plate de 1/4-20 x 3"; placer les vis à l'intérieur du placard mural, à proximité des trous de 3/8" (10 mm).
2. Vérifier que la porte du four à micro-ondes est fermée, et qu'elle est immobilisée par du ruban adhésif.



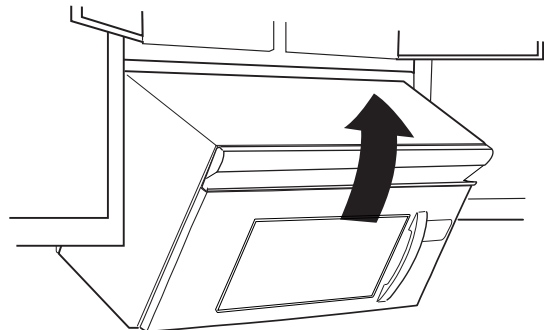
3. Faire intervenir 2 personnes ou plus pour soulever le four à micro-ondes et le suspendre aux pattes de support situées en bas de la plaque de montage.

REMARQUE : Pour éviter d'endommager le four à micro-ondes, ne pas prendre prise sur la porte ou la poignée de la porte durant les manutentions du four à micro-ondes.



A. Plaque de montage
B. Pattes de support

4. Alors que l'avant du four à micro-ondes est encore incliné, enfile le cordon d'alimentation à travers le trou de passage percé dans le fond du placard mural.



5. Redresser le four à micro-ondes vers le placard mural.

REMARQUE : En cas d'évacuation à travers le mur, veiller à ce que le clapet anti-reflux s'insère facilement dans le conduit dans l'ouverture du mur.

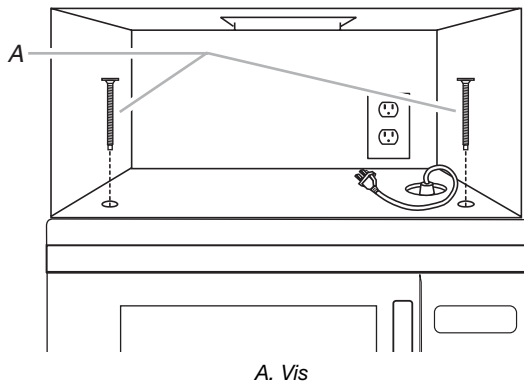
6. Pousser le four à micro-ondes contre la plaque de montage; maintenir le four en place.

REMARQUE : Si aucun autre ajustement de la position du four à micro-ondes n'est nécessaire, omettre les étapes 7-9.

7. Si un ajustement est nécessaire, faire pivoter le four à micro-ondes vers le bas. Faire intervenir 2 personnes ou plus pour soulever le four à micro-ondes et le dégager de la plaque de montage; placer le four à part sur une surface couverte.
8. Desserrer les vis de la plaque de montage. Ajuster la plaque de montage et resserrer les vis.
9. Répéter les étapes 3-6.
10. Alors que le four à micro-ondes est centré, et tandis qu'au moins une personne le maintient en place, insérer les vis à travers le placard mural et dans le four à micro-ondes. Serrer les vis jusqu'à ce qu'il ne reste aucun espace entre le placard mural et le four à micro-ondes.

REMARQUES :

- Certaines configurations du placard mural nécessitent l'emploi de vis plus longues ou plus courtes que 3" (7,6 cm). Acheter les vis nécessaires plus longues ou plus courtes dans une quincaillerie locale.
- Un serrage excessif des vis peut provoquer une déformation (gauchissement) du sommet du four à micro-ondes. Pour éviter un gauchissement, on peut ajouter des cales d'appui en bois (fournies par l'installateur). L'épaisseur des cales doit correspondre à l'épaisseur de l'espace résiduel entre le fond du placard mural et le four à micro-ondes.

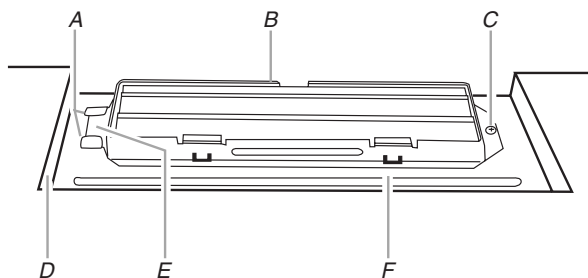


A. Vis

Pour une installation avec décharge à l'extérieur à travers le toit seulement

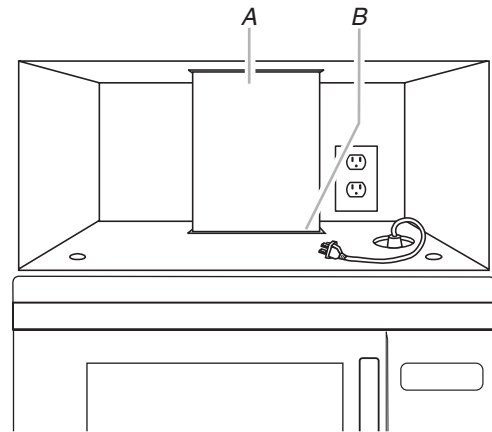
1. Insérer le module du clapet anti-reflux à travers l'ouverture découpée dans le placard mural, de telle manière que la patte longue du module du clapet anti-reflux puisse glisser sous les pattes d'arrimage relevées de la plaque de support du clapet. Immobiliser alors le clapet avec la vis de tôlerie.

REMARQUE : Il n'est pas possible d'installer la vis si le module du clapet anti-reflux n'est pas positionné comme on le voit sur l'illustration.



A. Pattes d'arrimage relevées
 B. Module du clapet anti-reflux
 C. Vis de tôlerie
 D. Ouverture découpée dans le placard mural
 E. Patte longue
 F. Plaque de support du clapet

2. Connecter le conduit d'évacuation au module du clapet anti-reflux.



A. Conduit d'évacuation
 B. Module du clapet anti-reflux
 (sous le conduit d'évacuation)

Achever l'installation

1. Pour l'installation de filtres sur l'appareil, voir le Guide d'utilisation et d'entretien.

⚠ AVERTISSEMENT



Risque de choc électrique

Brancher sur une prise à 3 alvéoles reliée à la terre.

Ne pas enlever la broche de liaison à la terre.

Ne pas utiliser un adaptateur.

Ne pas utiliser un câble de rallonge.

Le non-respect de ces instructions peut causer un décès, un incendie ou un choc électrique.

2. Brancher le four à micro-ondes sur une prise à trois alvéoles reliée à la terre.
3. Reconnecter la source de courant électrique.
4. Contrôler le fonctionnement du four à micro-ondes : placer sur le plateau rotatif 1 tasse (250 mL) d'eau, et programmer une période de chauffage de 1 minute à la puissance maximale (100 %). Faire fonctionner le ventilateur d'extraction pour tester son fonctionnement.
5. Si le four à micro-ondes ne fonctionne pas :
 - Déterminer si un fusible est grillé ou si un disjoncteur s'est déclenché. Remplacer le fusible ou réenclencher le disjoncteur. Si le problème persiste, appeler un électricien.
 - Vérifier que le cordon d'alimentation est correctement branché sur une prise de courant à 3 alvéoles reliée à la terre.
 - Pour l'information relative au dépannage, consulter le Guide d'utilisation et d'entretien.

L'installation est maintenant terminée.

Conserver les instructions d'installation pour une éventuelle réutilisation future.

SPÉCIFICATIONS DU CIRCUIT D'ÉVACUATION

Cette section présente de l'information de référence uniquement, à l'intention des architectes/concepteurs et constructeurs.

REMARQUES :

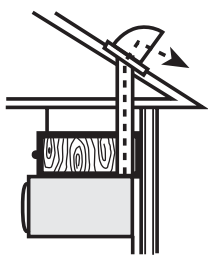
- Les matériaux du circuit d'évacuation nécessaires à l'installation ne sont pas fournis avec l'ensemble four à micro-ondes/hotte.
- On déconseille l'emploi d'un conduit métallique flexible.
- Pour éviter d'éventuelles détériorations du produit, veiller à ce que l'air aspiré soit déchargé à l'extérieur (sauf dans le cas d'une installation avec recyclage). Veiller à ce que l'air aspiré ne soit pas déchargé dans un espace fermé dissimulé : cavités murales ou au dessous d'un plafond, grenier, vide sanitaire ou garage.

Recommandations pour une installation optimale du circuit d'évacuation :

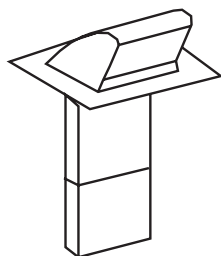
- utiliser une bouche de décharge (murale ou sur toit) comportant un clapet anti-reflux à l'arrière
- utiliser un conduit métallique rigide
- utiliser l'itinéraire d'acheminement le plus direct; minimiser la longueur du circuit et le nombre de coudes pour obtenir un fonctionnement efficace
- utiliser des conduits de taille uniforme
- assurer l'étanchéité de toutes les jointures des conduits avec du ruban adhésif pour conduits
- utiliser un composé de calfeutrage pour assurer l'étanchéité autour de la bouche de décharge (murale ou sur toit)
- ne pas connecter ensemble 2 raccords coudés, pour optimiser la performance de la hotte

Dans le cas de la décharge à travers le mur, veiller à disposer de l'espace libre suffisant à l'intérieur du mur pour que le clapet anti-reflux puisse manœuvrer librement.

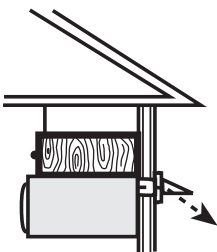
Dans le cas de la décharge à travers le toit, si on doit utiliser un raccord de transition (de rectangulaire à rond), veiller à disposer d'un espace libre d'au moins 3" (7,6 cm) entre le sommet du four à micro-ondes et le raccord de transition. Voir l'illustration "Raccord de transition rectangulaire/rond".



Décharge à travers le toit



Bouche de décharge sur toit



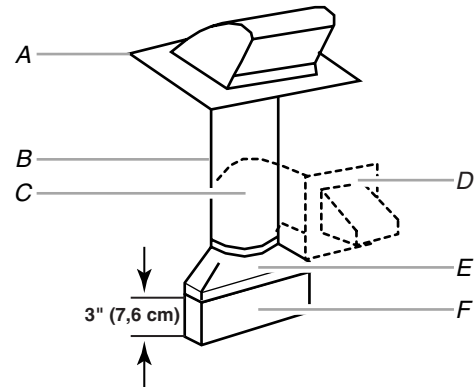
Décharge à travers le mur



Bouche de décharge murale

Raccord de transition rectangulaire/rond

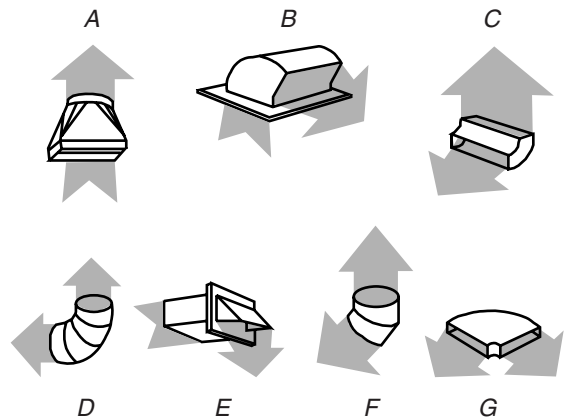
REMARQUE : On doit disposer d'un espace libre de 3" (7,6 cm) ou plus entre le sommet du four à micro-ondes et le raccord de transition rectangulaire/rond pour que le clapet anti-reflux puisse manœuvrer librement et complètement.



- A. Bouche de décharge sur toit
- B. Conduit rond de dia. 6" (15,2 cm) min.
- C. Coude (pour décharge murale uniquement)
- D. Bouche de décharge murale
- E. Raccord de transition rectangulaire/rond de 3/4" x 10" à dia. 6" (8,3 x 25,4 cm à 15,2 cm)
- F. Raccord d'extension, hauteur de 3" (7,6 cm) min.

Raccords standard recommandés

Les longueurs équivalentes suivantes doivent être utilisées pour calculer la longueur du circuit d'évacuation. Voir les exemples dans la section "Longueur recommandée du circuit d'évacuation".



- A. Raccord de transition rectangulaire/rond : 3/4" x 10" à 6" = 5 pi (8,3 x 25,4 cm à 15,2 cm = 1,5 m)
- B. Bouche de décharge sur toit : 3/4" x 10" = 24 pi (8,3 x 25,4 cm = 7,3 m)
- C. Coude à 90° : 3/4" x 10" = 25 pi (8,3 x 25,4 cm = 7,6 m)
- D. Coude à 90° : 6" = 10 pi (15,2 cm = 3 m)
- E. Bouche de décharge murale : 3/4" x 10" = 40 pi (8,3 x 25,4 cm = 12,2 m)
- F. Coude à 45° : 6" = 5 pi (15,2 cm = 1,5 m)
- G. Coude plat à 90° : 3/4" x 10" = 10 pi (8,3 x 25,4 cm = 3 m)

Longueur recommandée du circuit d'évacuation

On devrait utiliser un conduit rectangulaire 3¼" x 10" (8,3 x 25,4 cm), ou un conduit rond de dia. 6" (15,2 cm).

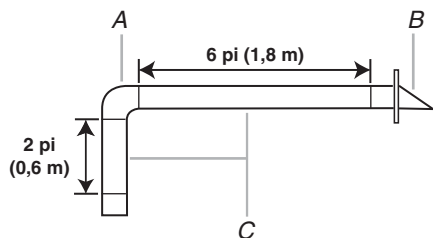
La longueur totale du circuit d'évacuation, ceci incluant les sections de conduit rectilignes, coude(s), raccords de transition et bouche de décharge murale ou sur toit, ne doit pas dépasser l'équivalent de 140 pi (42,7 m) quel que soit le type de conduit.

Les longueurs équivalentes des divers composants sont mentionnées dans la section "Raccords standard recommandés".

Pour optimiser la performance, ne pas utiliser plus de trois coudes à 90°.

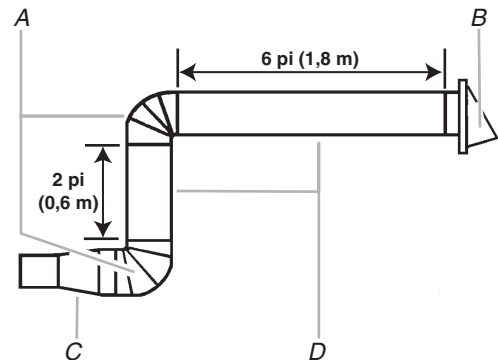
Pour calculer la longueur équivalente du système nécessaire, totaliser les valeurs de longueur équivalente pour tous les composants utilisés dans le circuit. Voir les exemples suivants :

Conduit de 3¼" x 10" (8,3 x 25,4 cm) = longueur totale 73 pi (22,2 m)



- A. Un coude à 90° de 3¼" x 10" (8,3 x 25,4 cm) = 25 pi (7,6 m)
- B. 1 bouche de décharge murale = 40 pi (12,2 m)
- C. Sections de conduit rectiligne de 2 pi (0,6 m) + 6 pi (1,8 m) = 8 pi (2,4 m)

Conduit de dia. 6" (15,2 cm) = longueur totale 73 pi (22,2 m)



- A. Deux coudes à 90° = 20 pi (6,1 m)
- B. 1 bouche de décharge murale = 40 pi (12,2 m)
- C. 1 raccord de transition conduit rectangulaire/conduit rond = 5 pi (1,5 m)
- D. Sections de conduit rectiligne 2 pi (0,6 m) + 6 pi (1,8 m) = 8 pi (2,4 m)

Si le circuit d'évacuation existant est fait de conduit rond, on doit utiliser un raccord de transition de conduit rectangulaire à conduit rond. De plus, on devra utiliser une extension de conduit rectangulaire de 3" (7,6 cm) entre le clapet anti-reflux et le raccord de transition rectangulaire/rond, pour éviter toute entrave à la manœuvre du clapet anti-reflux.

ASSISTANCE

Appeler le marchand local autorisé ou le centre de service agréé. Lors de l'appel, vous aurez besoin des numéros de modèle et de série du four à micro-ondes. Les deux numéros peuvent être trouvés sur la plaque signalétique située derrière la porte du four à micro-ondes, sur le châssis avant du four à micro-ondes.

Si une assistance supplémentaire est nécessaire, composer le numéro sans frais ou consulter notre site web indiqué dans le Guide d'utilisation et d'entretien.

Pièces de rechange

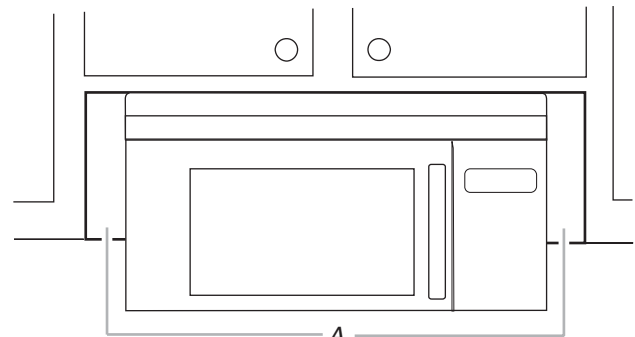
S'il est nécessaire de remplacer n'importe quel élément du matériel d'installation, contactez-nous au numéro sans frais indiqué dans les Instructions d'utilisation.

Vous trouverez ci-après une liste des pièces de rechange disponibles. Vous aurez besoin du numéro de modèle situé sur la partie avant face à l'ouverture du four à micro-ondes, derrière la porte.

- Module du clapet anti-reflux
- Plaque de montage
- Gabarit pour placard mural
- Ensemble de vis de montage (incluant les pièces A-G présentées à la section "Pièces fournies" à la section "Outillage et pièces")

Accessoires

Des trousse de panneaux de remplissage sont disponibles auprès du marchand; les utiliser lors de l'installation de ce four à micro-ondes dans une ouverture de 36" (91,4 cm) ou 42" (106,7 cm) de large. Les panneaux de remplissage sont vendus par paire. La largeur de chaque panneau est de 3" (7,6 cm).



A. Panneaux de remplissage

Trousse de panneau de remplissage numéro	8171336	Blanc
	8171337	Noir
	8171338	Biscuit
	8171339	Acier inoxydable
	99403	Amande

Consulter le marchand local autorisé ou le centre de service agréé pour les détails.

W10191953A

© 2008.
All rights reserved.
Tous droits réservés.

461965617994
4/08
Printed in China
Imprimé en Chine