

# Operator's Manual



## Variable Speed WOOD LATHE

Model No.  
**351.217150**

### **CAUTION:**

Read and follow all Safety Rules and Operating Instructions before First Use of this Product. Keep this manual with tool.

**Sears, Roebuck and Co., Hoffman Estates, IL 60179 U.S.A.**

[www.sears.com/craftsman](http://www.sears.com/craftsman)

18062.01 Draft (04/12/05)

SAFETY

ASSEMBLY

OPERATION

MAINTENANCE

PARTS LIST

ESPAÑOL

## TABLE OF CONTENTS

Warranty	2
Safety Rules	2-3
Unpacking	3
Assembly	4
Installation	4-6
Operation	6-20
Maintenance	20-21
Troubleshooting	22
Parts Illustration and List	24-27
Español	28-51

## WARRANTY

### FULL ONE YEAR WARRANTY ON CRAFTSMAN VARIABLE SPEED WOOD LATHE

If this Craftsman wood lathe fails to give complete satisfaction within one full year from the date of purchase, return it to the nearest Sears Service Center in the United States and Sears will repair it free of charge.

Warranty service is available by contacting Sears in-home major brand repair service. This warranty gives you specific legal rights and you may also have other rights which vary from state to state.

If this wood lathe is used for commercial purposes, this warranty applies for only 90 days from the date of purchase.

Sears, Roebuck and Co., Dept. 817 WA, Hoffman Estates, IL 60179

## SAFETY RULES

**CAUTION:** Always follow proper operating procedures as defined in this manual — even if you are familiar with use of this or similar tools. Remember that being careless for even a fraction of a second can result in severe personal injury.

### BE PREPARED FOR JOB

- Wear proper apparel. Do not wear loose clothing, gloves, neckties, rings, bracelets or other jewelry which may get caught in moving parts of machine.
- Wear protective hair covering to contain long hair.
- Wear safety shoes with non-slip soles.
- Wear safety glasses complying with United States ANSI Z87.1. Everyday glasses have only impact resistant lenses. They are **NOT** safety glasses.
- Wear face mask or dust mask if operation is dusty.
- Be alert and think clearly. Never operate power tools when tired, intoxicated or when taking medications that cause drowsiness.

### PREPARE WORK AREA FOR JOB

- Keep work area clean. Cluttered work areas invite accidents.
- Do not use power tools in dangerous environments. Do not use power tools in damp or wet locations. Do not expose power tools to rain.
- Work area should be properly lighted.
- Keep visitors at a safe distance from work area.
- Keep children out of workplace. Make workshop childproof. Use padlocks, master switches or remove switch keys to prevent any unintentional use of power tools.

© Sears, Roebuck and Co.

- Keep power cords from coming in contact with sharp objects, oil, grease, and hot surfaces.

### TOOL SHOULD BE MAINTAINED

- Always unplug tool prior to inspection.
- Consult manual for specific maintaining and adjusting procedures.
- Keep tool lubricated and clean for safest operation.
- Keep all parts in working order. Check to determine that the guard or other parts will operate properly and perform their intended function.
- Check for damaged parts. Check for alignment of moving parts, binding, breakage, mounting and any other condition that may affect a tool's operation.
- A guard or other part that is damaged should be properly repaired or replaced. Do not perform makeshift repairs. (Use parts list provided to order replacement parts.)
- Never adjust attachments while running. Disconnect power to avoid accidental start-up.
- Have damaged or worn power cords replaced immediately.
- Keep cutting tools sharp for efficient and safest operation.

### KNOW HOW TO USE TOOL

- Use right tool for job. Do not force tool or attachment to do a job for which it was not designed.
- Disconnect tool when changing attachments.
- Avoid accidental start-up. Make sure that the tool is in the "off" position before plugging in, turning on safety disconnect or activating breakers.
- Do not force tool. It will work most efficiently at the rate for which it was designed.
- Keep hands away from chuck, centers and other moving parts.
- Never leave tool running unattended. Turn the power off and do not leave tool until it comes to a complete stop.
- Do not overreach. Keep proper footing and balance.
- Never stand on tool. Serious injury could occur if tool is tipped or if centers are unintentionally contacted.
- Know your tool. Learn the tool's operation, application and specific limitations.
- Handle workpiece correctly. Mount firmly in holding devices. Protect hands from possible injury.
- Turn machine off if workpiece splits or becomes loose.
- Use cutting tools as recommended in "Operation."

**WARNING:** For your own safety, do not operate your wood lathe until it is completely assembled and installed according to instructions.

### PROTECTION: EYES, HANDS, FACE, BODY, EARS

- If any part of your lathe is missing, malfunctioning, or has been damaged or broken, cease operating immediately until the particular part is properly repaired or replaced.
- Wear safety goggles that comply with United States ANSI Z87.1 and a face shield or dust mask if operation is dusty. Wear ear plugs or muffs during extended periods of operation.
- Small loose pieces of wood or other objects that contact a spinning workpiece can be propelled at very high speed. This can be avoided by keeping the lathe clean.
- Never turn the lathe ON before clearing the bed, head and tailstock of all tools, wood scraps, etc., except the workpiece and related support devices for the operation planned.
- Never place your face or body in line with the chuck or faceplate.

- Never place your fingers or hands in path of cutting tools.
- Never reach in back of the workpiece with either hand to support the piece, remove wood scraps, or for any other reason. Avoid awkward operations and hand positions where a sudden slip could cause fingers or hand to move into a spinning workpiece.
- Shut the lathe OFF and disconnect power source when removing the faceplate, changing the center, adding or removing an auxiliary device, or making adjustments.
- Turn key lock switch to "off" and remove key when tool is not in use.
- If the workpiece splits or is damaged in any way, turn lathe OFF and remove the workpiece from the holders. Discard damaged workpiece and start with a new piece of wood.
- Use extra care when turning wood with twisted grain or wood that is twisted or bowed — it may cut unevenly or wobble excessively.

### KNOW YOUR CUTTING TOOLS

- Dull, gummy, improperly sharpened or set cutting tools can cause vibration and chatter during cutting operations. Minimize potential injury by proper care of tools and regular machine maintenance.

### THINK SAFETY

Safety is a combination of operator common sense and alertness at all times when the lathe is being used.

- For your own safety, read all rules and precautions in the operator's manual before using this tool.
- For eye protection, wear safety glasses complying with United States ANSI Z87.1.
- Do not wear loose clothing, gloves, neckties, rings, bracelets or other jewelry that could get caught in moving parts of machine or workpiece. Wear protective hair covering to contain long hair.
- Tighten all clamps, fixtures and tailstock before applying power. Check to make sure that all tools and wrenches have been removed.
- With switch off, rotate workpiece by hand to make sure that there is adequate clearance. Start the machine on lowest speed setting to verify that the workpiece is secure.
- For large pieces, create a rough shape on another piece of equipment before installing on faceplate.
- Do not mount any workpieces that have splits or knots.
- Remove any center from spindle when using an outboard device for auxiliary turning.
- **Never** attempt to remount a faceplate turning to the faceplate for any reason.
- **Never** attempt to remount a between-centers turning if the original centers on the turning have been altered or removed.
- When remounting a between-centers turning that has non-altered original centers, make sure that the speed is at the lowest setting for start-up.
- Use extra caution when mounting a between-centers turning to the faceplate, or a faceplate turning to between-centers, for secondary operations. Make sure that the speed is at the lowest setting for start-up.
- **Never** perform any operation with this lathe where the workpiece is hand-held. Do not mount a reamer, milling cutter, drill bit, wire wheel or buffing wheel to the headstock spindle.

- When hand-sanding faceplate or between-centers mounted workpieces, complete all sanding BEFORE removing the workpiece from the lathe.
- **Never** run the spindle in the wrong direction. The cutting tool could be pulled from your hands. The workpiece should always turn towards the operator.
- For spindle turning, ALWAYS position the tool rest above the centerline of the workpiece and spindle (approximately  $\frac{1}{8}$ ").
- Use the drill chuck accessory in the tail stock only. Do not mount any drill bit that extends more than 6" beyond chuck jaws.

**CAUTION:** Follow safety instructions that appear on the headstock assembly for your lathe.

## UNPACKING

Refer to Figure 1.

Check for shipping damage. If damage has occurred, a claim must be filed with carrier. Check for completeness. Immediately report missing parts to dealer.

Your wood lathe is shipped complete in one carton and includes a motor. Separate all parts from packing materials and check each one with the unpacking list to make certain all items are accounted for before discarding any packing material.

If any parts are missing, do not attempt to assemble the lathe, plug in the power cord, or turn the switch on until the missing parts are obtained and properly installed.

- A Headstock Assembly
- B Bed
- C Tailstock Assembly
- D Tool Rest Base Assembly
- E Handle
- F 12" Tool Rest
- G 6" Tool Rest
- H 4" Face Plate
- I Spur Center
- Parts Bag (Not Shown)

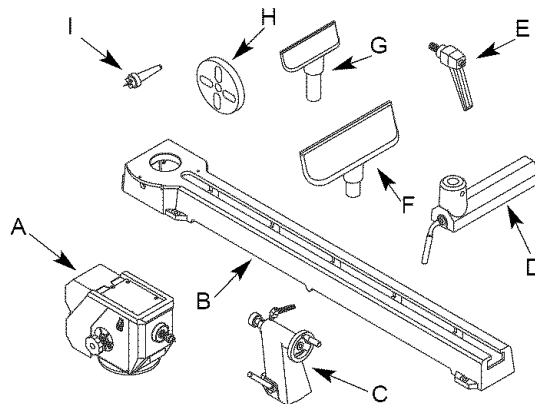


Figure 1 - Unpacking

**IMPORTANT:** The bed is coated with a protectant. To ensure proper fit and operation, remove coating. Coating is easily removed with mild solvents, such as mineral spirits, and a soft cloth. Avoid getting cleaning solution on paint or any of the rubber or plastic parts. Solvents may deteriorate these finishes. Use soap and water on paint, plastic or rubber components. Wipe all parts thoroughly with a clean dry cloth. Apply paste wax to the bed.

## ASSEMBLY

Refer to Figures 2 - 6.

**CAUTION:** Do not attempt assembly if parts are missing. Use this manual to order replacement parts.

- Remove all components from the shipping carton and verify against the parts list on page 3. Clean each component and remove shipping preservatives (coatings) as required.
- After selecting an appropriate bench, table, or lathe stand, set the bed towards the front and the left side.
- Turn bed on its side with the bottom of the bed facing towards you and with the headstock end of the bed on the left side.
- Place headstock assembly on its side near the left end of the bed. Install the threaded rods into the headstock.

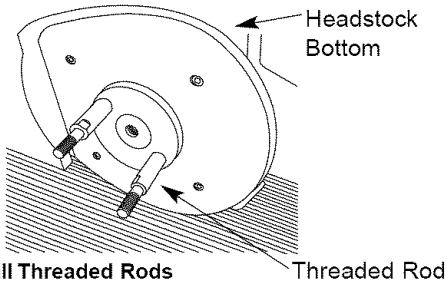


Figure 2 - Install Threaded Rods

- Move headstock into the bed so that the hub on the bottom of the headstock seats into the hole in the bed. Place plate over the eccentric shaft onto the threaded rods and secure in position with hex nuts.

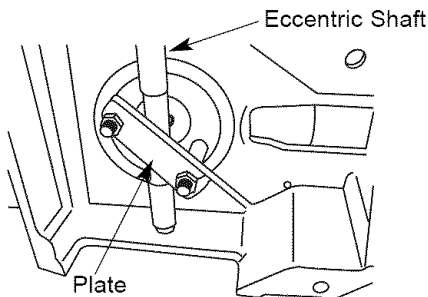


Figure 3 - Mount Headstock

- Place lathe upright. Install locking handle into eccentric shaft. Secure alignment pin chain to bed with screw. Position headstock so that spindle faces toward opposite end of bed. Insert alignment pin through headstock into the bed. Install headstock in position by pulling locking handle forward. Secure speed control knob using washer and screw.

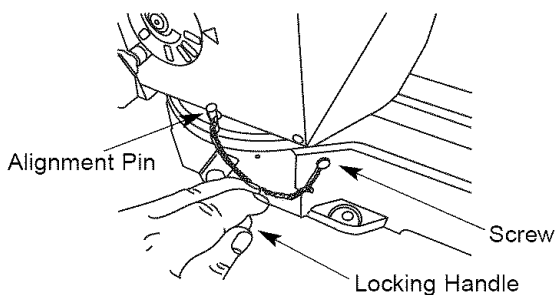


Figure 4 - Secure Headstock

- Slide the tool rest base assembly onto the bed. Make sure clamping plate is oriented with slot in bed. Secure the position with locking handle. Place 12" or 6" tool rest into base and secure in position.

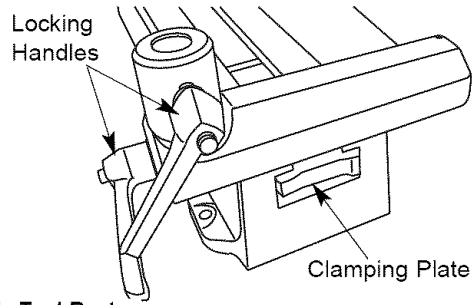


Figure 5 - Tool Rest

- Slide tail stock assembly onto the bed in the same manner as the tool rest base. Install locking handle and secure in position.
- When the wood lathe is ready for use, it should appear as it does in Figure 6.

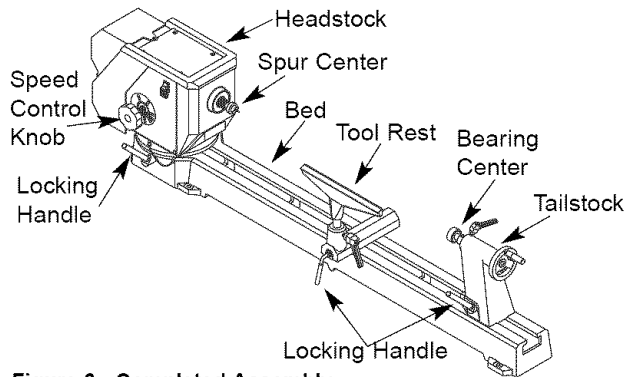


Figure 6 - Completed Assembly

- Examine the line cord to make sure that the plug is in good condition and that the insulation has not been damaged during transit.

## INSTALLATION

Refer to Figures 7-12.

### MOUNTING LATHE TO BENCH

- Position the lathe assembly on top of a suitable stand or bench. The headstock end should be close enough to a side edge so that outboard operations can be performed without difficulty.
- Verify that the bed is resting flat on the bench top. Mark the mounting hole locations using the holes in the bed as a guide. Move the lathe and drill four  $\frac{3}{8}$ " holes through the bench top. Place the lathe back in position and feed four  $\frac{5}{16}$  x 2" carriage bolts through the holes in the bed. Secure from underneath with flat washers, lock washers, and hex nuts (not supplied).

### STABILITY OF WOOD LATHE

If there is any tendency for the lathe to tip over or move during certain cutting operations, such as cutting extremely heavy pieces or long, out-of-round objects, the lathe should be bolted down.

### LOCATION OF WOOD LATHE

The lathe should be positioned so that neither the operator nor a casual observer is forced to stand in line with the spinning chuck.

## INSTALLATION OF CENTERS

The spur center and the bearing center have Morse taper #2 to match the spindle and tail stock bores. To install the centers, slide them into the bores with a firm, swift movement. They will be further secured when a workpiece is squeezed between the centers.

## REMOVAL OF SPUR CENTER FROM SPINDLE

- To remove the spur center from the spindle, insert the center removal rod into the spindle and gently tap the center out. Refer to Figure 7.

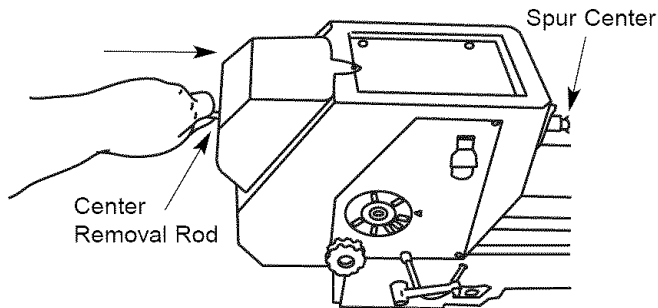


Figure 7 - Spur Center Removal

## REMOVAL OF BEARING CENTER FROM RAM

- To remove bearing center from tail stock ram, turn handwheel counterclockwise. Refer to Figure 8.

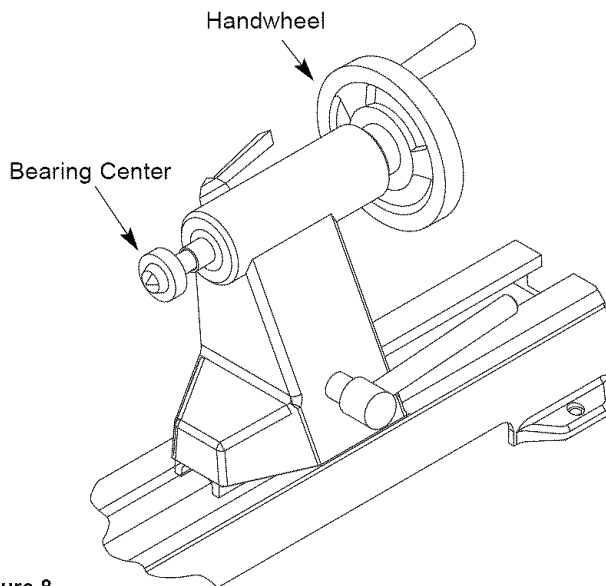


Figure 8

## POWER SOURCE

**WARNING:** Do not connect wood lathe to the power source until all assembly steps have been completed.

The motor is designed for operation on the voltage and frequency specified. Normal loads will be handled safely on voltages not more than 10% above or below specified voltage. Running the unit on voltages which are not within range may cause overheating and motor burn-out. Heavy loads require that voltage at motor terminals be no less than the voltage specified on nameplate.

- Power supply to the motor is controlled by a single pole locking rocker switch. Remove the key in the rocker switch to prevent unauthorized use.

## GROUNDING INSTRUCTIONS

**WARNING:** Improper connection of equipment grounding conductor can result in the risk of electrical shock. Equipment should be grounded while in use to protect operator from electrical shock.

- Check with a qualified electrician if grounding instructions are not understood or if in doubt as to whether the tool is properly grounded.
- This tool is equipped with an approved 3-conductor cord rated at 300V and a 3-prong grounding type plug (see Figure 9) for your protection against shock hazards.
- Grounding plug should be plugged directly into a properly installed and grounded 3-prong grounding-type receptacle, as shown (Figure 9).

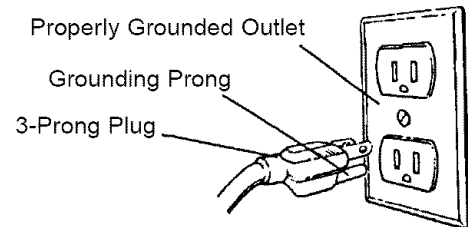


Figure 9 - 3-Prong Receptacle

- Do not remove or alter grounding prong in any manner. In the event of a malfunction or breakdown, grounding provides a path of least resistance for electrical shock.

**WARNING:** Do not permit fingers to touch the terminals of plug when installing or removing from outlet.

- Plug must be plugged into matching outlet that is properly installed and grounded in accordance with all local codes and ordinances. Do not modify plug provided. If it will not fit in outlet, have proper outlet installed by a qualified electrician.
- Inspect tool cords periodically and if damaged, have them repaired by an authorized service facility.
- Green (or green and yellow) conductor in cord is the grounding wire. If repair or replacement of the electric cord or plug is necessary, do not connect the green (or green and yellow) wire to a live terminal.
- Where a 2-prong wall receptacle is encountered, it must be replaced with a properly grounded 3-prong receptacle installed in accordance with National Electric Code and local codes and ordinances.

**WARNING:** This work should be performed by a qualified electrician.

A temporary 3-prong to 2-prong grounding adapter (see Figure 10, page 6) is available for connecting plugs to a two pole outlet if it is properly grounded.

- Do not use a 3-prong to 2-prong grounding adapter unless permitted by local and national codes and ordinances.
- (A 3-prong to 2-prong grounding adapter is not permitted in Canada.) Where permitted, the rigid green tab or terminal on the side of the adapter must be securely connected to a permanent electrical ground such as a properly grounded water pipe, a properly grounded outlet box or a properly grounded wire system.
- Many cover plate screws, water pipes and outlet boxes are not properly grounded. To ensure proper ground, grounding means must be tested by a qualified electrician.

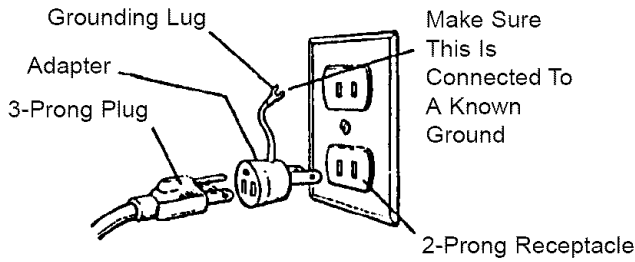


Figure 10 - 2-Prong Receptacle with Adapter

**EXTENSION CORDS**

- The use of any extension cord will cause some drop in voltage and loss of power.
- Wires of the extension cord must be of sufficient size to carry the current and maintain adequate voltage.
- Use the table to determine the minimum wire size (A.W.G.) extension cord.
- Use only 3-wire extension cords having 3-prong grounding type plugs and 3-pole receptacles which accept the tool plug.
- If the extension cord is worn, cut, or damaged in any way, replace it immediately.

**Extension Cord Length**

	Wire Size A.W.G.
Up to 25 ft. ....	14

**NOTE:** Using extension cords over 25 ft. long is not recommended.

**MOTOR**

The wood lathe is assembled with motor and wiring installed as an integral part of the headstock assembly.

Horsepower (Maximum Developed) .....	2
Voltage .....	120/240
Amperes .....	12/6
Hertz .....	60
Phase .....	Single
RPM .....	1725
Rotation (viewed from left side) .....	Clockwise

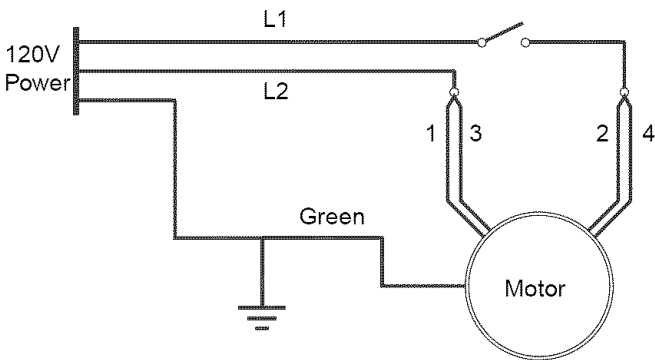


Figure 11 - Wiring Schematic

**ELECTRICAL CONNECTIONS**

**WARNING:** Make sure unit is off and disconnected from power source before inspecting any wiring.

The motor is installed and wiring connected as illustrated in the wiring schematic (see Figure 11).

The lathe is prewired for use on a 120 volt, 60HZ power supply. The power supply to the motor is controlled by a single pole locking rocker switch.

The power lines are inserted directly onto the switch. The green ground line must remain securely fastened to the frame to properly protect against electrical shock.

- Remove the key to prevent unauthorized use.

**240 VOLT OPERATION**

- To use the lathe with a 240V, single-phase power supply, have a qualified electrician attach a 240 volt, 15A 3-prong plug onto lathe line cord and install the proper connectors and receptacles to power supply.
- See wiring diagram (Figure 12) for wiring instructions.

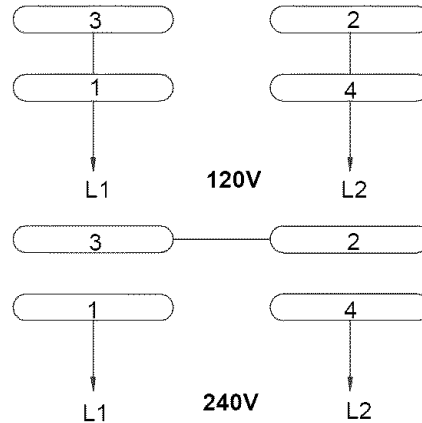


Figure 12 - Wiring Schematic

**OPERATION**

Refer to Figures 13 - 78.

**DESCRIPTION**

Craftsman 38" variable speed wood lathe provides capability to turn wooden workpieces up to 38" long and 4" diameter. This lathe can also turn bowls up to 15" diameter and 4" thick. The motor rotates at 1725 RPM and the spindle speeds are 360-2400 RPM. Extended spindle allows convenient out-board turning.

**SPECIFICATIONS**

Turning length (max.) .....	38"
Bowl diameter (max.) .....	15"
Overall length .....	60"
Overall height .....	15"
Width .....	8"
Spindle Speed .....	360 to 2400 RPM
Spindle Taper .....	2MT
Spindle Thread .....	1"-8
Tail Stock Taper .....	2MT
Switch .....	SP, Locking rocker
Motor .....	120/240V, 12/6 AMPS
Weight .....	175 lbs

**WARNING:** Operation of any power tool can result in foreign objects being thrown into the eyes, which can result in severe eye damage. Always wear safety goggles complying with Unites States ANSI Z87.1 (shown on package) before commencing power tool operation. Safety goggles are available at Sears retail stores or catalog.

**CAUTION:** Always observe the following safety precautions:

**SAFETY PRECAUTIONS**

- Whenever adjusting or replacing any parts on the tool, turn switch OFF and remove the plug from power source.

- Recheck all locking handles. They must be tightened securely.
- Make sure all moving parts are free and clear of any interference.
- Make sure all fasteners are tight and have not vibrated loose.
- With power disconnected, test operation by hand for clearance and adjust if necessary.
- Always wear eye protection or face shield.
- After turning switch on, always allow the spindle to come up to full speed before turning.
- Be sure motor runs counterclockwise when viewing spindle from the right end (inboard side of headstock).
- Keep hands clear of spindle, centers, faceplates and other moving parts of machine.
- For optimum performance, do not stall motor or reduce speed. Do not force the tool into the work.

### ON-OFF SWITCH

Refer to Figure 13.

Power supply to the lathe is controlled by the locking rocker switch. To turn lathe on:

- Switch on the rocker switch.

To turn lathe off:

- Switch off the rocker switch.

The rocker switch has a removable key to prevent unauthorized use or accidental start-up of the lathe. Removing the key will lock the lathe from use.

To lock the lathe:

- Switch off the rocker switch.
- Disconnect the line cord from power source.
- Pull out the removable key. The key has the words, "Remove to Lock".
- Store key in a safe place

**NOTE:** With the key removed, the rocker can be "ROCKED", but the switch cannot be actuated.

To unlock the lathe:

- Position the rocker in the OFF position.
- Insert the key into the rocker.
- Connect line cord to power source.
- The switch can now be actuated.

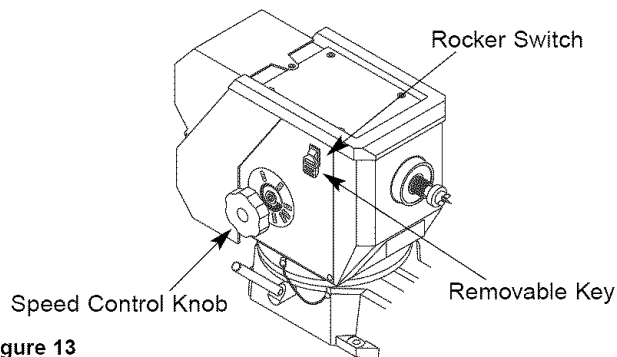


Figure 13

### CHANGING SPEEDS

To vary spindle speeds, rotate speed control knob to the desired setting. Refer to speed chart for specific turning operations.

**CAUTION:** Change speeds only while motor is running:

### SPINDLE TURNING

If you have never done any amount of wood turning, we suggest that you practice using the various wood turning tools. Start with a small spindle turning.

Be sure to study the following pages of this manual. They explain and illustrate the correct use of the turning tools, the positioning of the tool rest, and other information to help you gain experience.

- Select a piece of wood 2" x 2" x 12".
- Draw diagonal lines on each end to locate the centers.

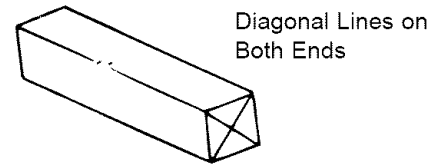


Figure 14

- On one end, make a saw cut approximately  $\frac{1}{16}$ " deep on each diagonal line. This is for the spur center.
- The other end uses the bearing center. Place the point of the bearing center on the wood where the diagonal lines cross.
- Drive the bearing center into the wood. Use a wooden mallet or a plastic hammer, but put a piece of wood on the end of the bearing center to protect it from harm.

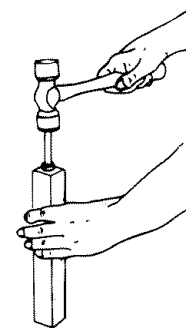


Figure 15

- Remove the bearing center and drive the spur center into the other end of the wood. Make sure the spurs are in the saw cuts. Remove the spur center.
- Make sure the centers and the hole in the spindle and the tail stock ram are clean. Insert the spur center into the headstock and the bearing center into the tail stock. Tap them in lightly with a piece of wood. Do not drive them in.
- If the tail stock center is not of the ball bearing type, put a drop of oil or wax on the wood where it contacts the center. This will lubricate the wood while it is turning.
- Place the wood between the centers and lock the tail stock.
- Move the bearing center into the wood by turning the hand wheel. Make sure that the bearing center and spur center are "seated" into the wood in the holes made earlier. Rotate the wood by hand while turning the hand wheel.
- Adjust the tool rest approximately  $\frac{1}{8}$ " away from the corners of the wood and  $\frac{1}{8}$ " above the center line. Note the angled position of the tool rest base and the tool rest.

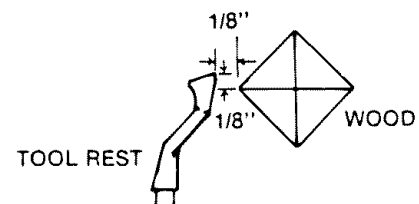


Figure 16

- Observe the speed chart (see page 15). For example, a 2" square turning up to 18" long should run at 1100 RPM for "roughing". Rotate the wood by hand to make sure that the corners do not strike the tool rest and verify that the indexing pin is not engaged.

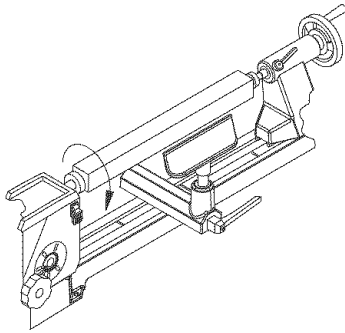


Figure 17

## INDEXING

Refer to Figure 18.

The spindle pulley has 24 equally spaced holes (15° apart). The index pin passes through the spindle pulley, engages with one of the 24 holes and locks the spindle from turning while you put a mark on the workpiece.

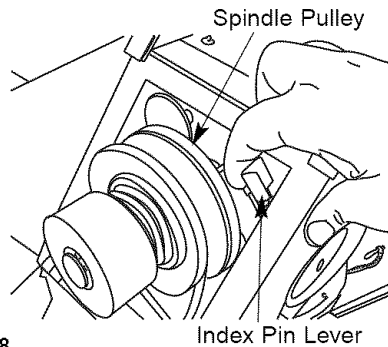


Figure 18

For example, to locate the position of six flutes on a cylinder:

- Open the upper rear cover.
- Pull back on index pin lever until the index pin engages one of the 24 holes in the spindle pulley.
- Adjust the 12" tool rest to the centerline of the workpiece and make a mark.
- Push index pin lever forward to release pin. Slowly rotate the workpiece until pin is located 60° (4 holes) from initial position. (The spindle pulley has a degree scale). Engage index pin into the pulley and place another mark on the workpiece.
- Continue these steps until there are 6 marks on the workpiece.
- Bowl turnings or wheel turnings can be marked in the same manner.

**WARNING:** The indexing pin must be disengaged for all other operations on the lathe.

## OUTBOARD TURNING

This technique makes it possible to do jobs on this machine that are too large to mount conventionally. It is straight forward faceplate turning, except, because of the work size, caution must be taken and speeds must be restricted to minimums. If you anticipate doing outboard turning you must use a bowl turning rest (see Recommended Accessories, page 27). The bowl turning rest is attached to the lathe bed.

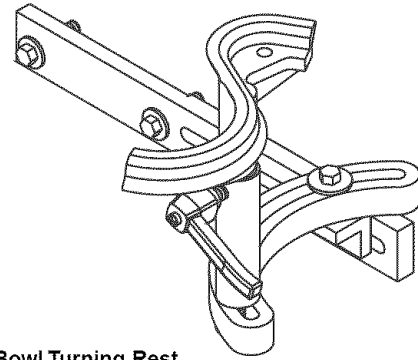


Figure 19 - Bowl Turning Rest

**CAUTION:** Do not try to push this support when cutting. Do not try to mount work so large that the motor must strain to turn it. If you wish to experiment with this technique, do so with soft woods. Let the heavier, harder wood come later.

To prepare the lathe for outboard turning, unlock the headstock by pulling up on locking handle. Remove pin and rotate headstock 90°. Insert pin at outboard alignment hole and secure headstock with locking handle.

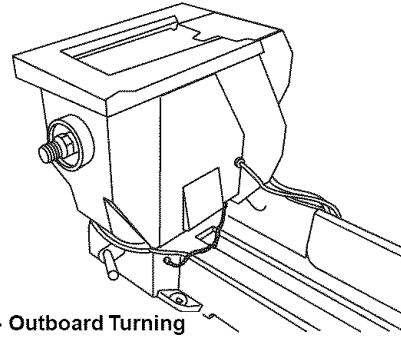


Figure 20 - Outboard Turning

## USING WOODWORKING CHISELS

### SELECTION OF CHISELS

Better chisels have handles approximately 10" long to provide plenty of grip and leverage. Sharp tools are essential for clean, easy work. Select tools that will take and hold keen edges.

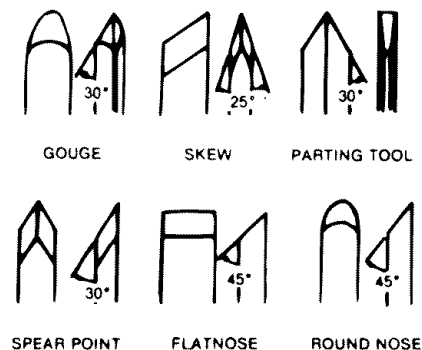


Figure 21 - The Six Commonly Used Chisel Types

### THEORY OF TURNING

The two classes of chisels are those intended primarily for cutting, and chisels used only for scraping.

- The cutting chisels are the gouge, skew and parting tool. These are the most used. They are commonly sharpened to a razor edge by honing on both sides.
- The scraping chisels are the flat nose, round nose and spear point. These are not honed on the flat sides – the wire edges produced by grinding are left on to aid in the scraping process.



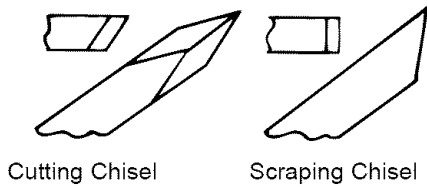


Figure 22

### Cutting and Scraping

- To cut, the chisel is held so that the sharp edge actually digs into the revolving work to peel off shavings.
- To scrape, the chisel is held at a right angle to the work surface. This tool removes fine particles instead of shavings.

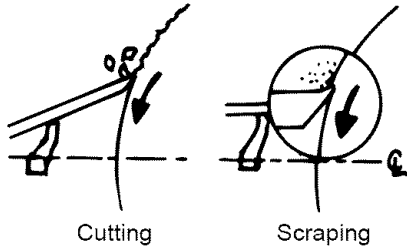


Figure 23

Many operations require that the cutting chisels be used for scraping, but scraping chisels are practically never used for cutting. Scraping dulls a chisel much faster, especially the razor sharp cutting chisels.

Cutting is faster than scraping and produces a smoother finish which requires less sanding. However, it is far more difficult to master. Scraping, on the other hand, is far more precise and easier to control.

### When You Can Cut and When You Must Scrape

There are two different approaches:

- One approach is toward a circumference of the workpiece (for example turning down the outer surface of a cylinder or the inner wall of a hollow round box). In this approach, the surface being turned travels under the chisel edge like an endless belt.
- The second approach is toward the diameter of a workpiece (as when turning the face of a faceplate turning, or the side of a large shoulder on a spindle turning). In this approach, the surface being turned rotates like a disc under the chisel edge.
- Sometimes the optimum approach will be a combination of both methods.

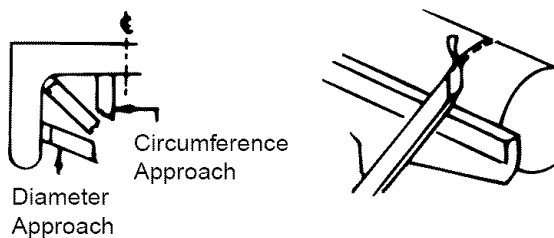


Figure 24

Either a cutting or scraping action can be used when the approach is toward a circumference – the shaving is removed like a peeling from a potato. Scraping can only be used when the approach is toward a diameter. The reason is obvious when you consider that faceplate turning practically always requires removal of wood across the grain. Wood does not peel easily across the grain and attempts to use any inappropriate cutting methods will likely result in damage to the workpiece. There is also danger that the tool could be pulled from the hands of the operator.

In general, a cutting action is used for the majority of spindle turning operations while faceplate turning is usually accomplished by the scraping method. When a combination approach is to be used, the operator will have to judge, by the feel of the work, when to stop cutting and start scraping. **Never** try to cut when it becomes difficult to hold the chisel against the roughness of the wood grain.

### How to Position Tool Rest for Circumference Cutting

When cutting, the object is to pierce the outer skin of wood to a certain desired depth and then to hold the chisel steady with the bevel edge parallel to the work circumference so that it will peel off a shaving at this desired depth.

- The only sure method of holding the chisel steady is to rest the bevel against the work (Figure 25A). When the tool rest is at the proper height, the chisel can be held with the bevel pressed against the work, and the tool rest will act as a fulcrum to support the chisel against the downward force of the revolving work.
- If the rest is placed too low, so that the chisel is held with the bevel out from the work (Figure 25B), the cutting edge will continue to dig deeper into the work. It will dig in until the “bite” becomes so deep that your hands have difficulty holding the chisel – then the improperly supported chisel will begin to bounce or chatter against the workpiece.
- If the rest is placed too low, the chisel must be held extremely high to position the bevel against the work (Figure 25C). Then the rest loses most of its value as a fulcrum and the downward force of the revolving workpiece tends to kick the chisel back out of your hands.

Fig. 25A

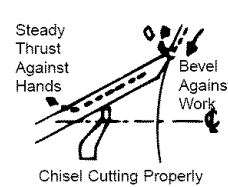


Fig. 25D

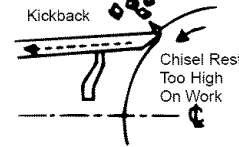


Fig. 25G

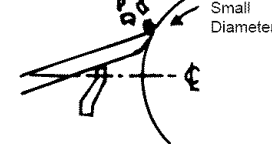


Fig. 25B

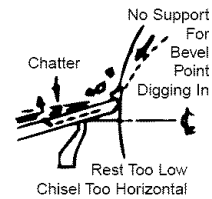


Fig. 25E

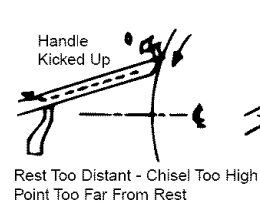


Fig. 25C

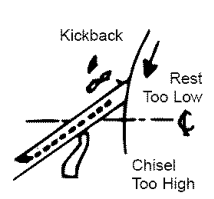


Fig. 25F

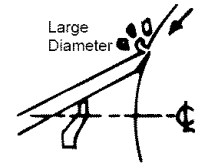


Figure 25

- If the rest is placed too high (Figure 25D) and the chisel is correctly positioned for cutting, it strikes the workpiece near the top where the direction of force exerted by the workpiece is nearly horizontal – and kickback will again result.
- If the rest is placed too far out from the work surface (Figure 25E), then, when correctly held, the chisel is again too high on the work. Also, you have less leverage on your side of the tool rest and it is even more difficult to hold the chisel. With large diameter work (Figure 25F), the tool rest

can be above the workpiece centerline, and somewhat out from the work surface. With small diameter work (Figure 25G), the rest should be closer to the work surface. As work grows smaller, the rest should be repositioned.

### How to Position Tool Rest for Circumference Scraping

In scraping operations, the tool rest position is not as critical as it is for cutting operations.

- The chisel generally is held horizontally, though it can be held at an angle to reach into tight places. Considering that the wire edge of the chisel does the scraping, Figures 26B and 26C show the results of too low or too high a position for the rest.
- Figure 26A shows the chisel action with the rest correctly positioned.

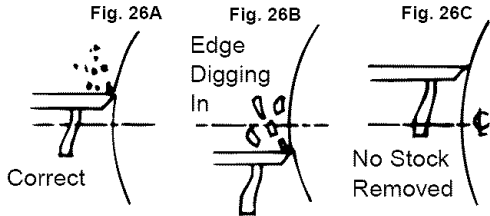


Figure 26

### How to Position Chisel and Rest for Diameter Scraping

When scraping on the diameter, that portion of surface to the right of center is moving upward (Figure 27A). If a chisel is placed in this area, it will simply be carried up off the rest and out of your hands.

- All diameter approach operations must be done at the left of center.

Three different chisel contact points are shown in Figure 27B. It will be noted that when a chisel is above the workpiece center (or below it) the work surface sweeps past the chisel edge at an angle and tends to carry the chisel in one direction or the other along the rest.

- Only when the chisel contacts the work on the centerline, does the work surface pass squarely under the chisel edge. This, then, is the position in which it is easiest to hold the chisel steady. To obtain this position, place the rest approximately  $\frac{1}{8}$ " (thickness of chisel) below center.

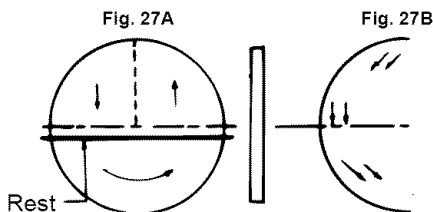


Figure 27

### USING THE GOUGE

Three gouges, the  $\frac{1}{4}$ ,  $\frac{1}{2}$  and  $\frac{3}{4}$ " sizes, are adequate for general homeshop turning. Other sizes from  $\frac{1}{8}$  to 2" can be purchased to provide more flexibility.

The chief use of the gouge is for rough circumference cutting of raw stock down to a cylinder of working size. It is best to use this tool for rapid cutting away of large areas of the workpiece. When the tool is used this way, it does not produce a smooth surface. With practice, the gouge can be used for cutting coves and the shaping of long cuts.

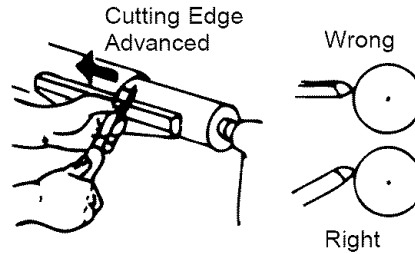


Figure 28

- When used for cutting, the gouge is always held with the convex side down. It should be rolled approximately  $30^\circ$  to  $45^\circ$  in the direction in which it is being advanced along the rest and the cutting edge should be slightly ahead of the handle.

### USING THE SKEW

- Two skews, the  $\frac{1}{2}$  and 1" sizes, are all that are needed for general use. Other sizes are available.

This tool is nearly always used to make finished cuts, to cut vees and beads, and to square shoulders. Properly used, it produces the best finish that can be obtained with a chisel. It is not recommended for scraping because the edge tends to dull more quickly.

- For finish cutting, the skew is held with the cutting edge considerably in advance of the handle, bevel side down. Keep the base of the bevel against the work. It is good practice is to place the skew well over the work, pull it back until the edge begins to cut, then swing the handle into position to advance the cut.

Both the toe and the heel of the skew can be used for taking light cuts, but do not penetrate the wood too deeply without cutting clearances. There is danger of burning the tip of the tool.

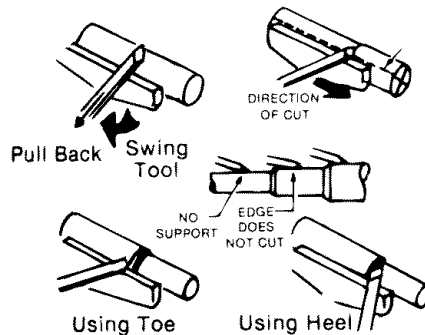


Figure 29

### USING THE PARTING TOOL

The parting tool has just one primary purpose: to cut into the workpiece as deeply as desired, or all the way through to make a cut-off. It is, therefore, a very narrow tool ( $\frac{1}{8}$ " wide) and shaped to cut its own clearance so that the edge will not be burned. When used for scraping, however, the parting tool should be backed off regularly to prevent overheating.

Unlike the gouge and skew, the parting tool is seldom held with the bevel against the work. Since the amount of stock removal is small, a support for the bevel is not necessary.

The tool is simply fed into the work at an angle (for cutting), or pointed at the workpiece center (for scraping). It can be held easily in one hand.

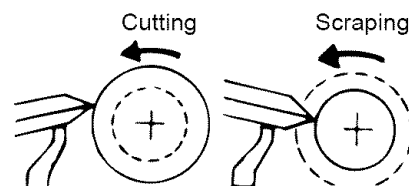


Figure 30

### USING THE SCRAPING CHISELS

- A 1/2" wide spear point chisel, a 1/2" wide round nose chisel, and a 1" wide flat nose chisel complete the list of tools ordinarily used by craftsmen and hobbyists.

Each of these scraping chisels can be purchased in various other sizes for special purposes. All are very useful for diameter scraping operations and for circumference scraping when cutting methods cannot be employed.

- The spear point is used for fine scraping and delicate operations such as the forming of beads, parallel grooves and shallow vees.
- Edges and bowl contours can be rounded with the round nose chisel.
- Any flat surface can be scraped with the flat nose chisel.

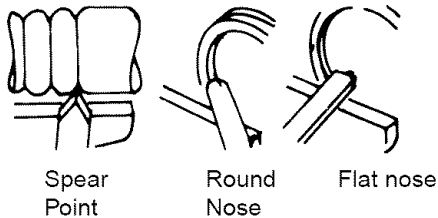


Figure 31

### USING SHAPER OR MOULDING KNIVES

- An old chisel can be made to serve as a holder for shaper or moulding knives.

Such knives make it possible to scrape many interesting shapes into the workpiece surface using one or two operations instead of the many operations required with standard chisels. It is generally not practical to use cutting methods with special shape tools. Scraping methods should be used instead.

- The holder should provide a shoulder against which the butt end of the knife can be firmly seated. The knife must be securely mounted, either by means of a screw threaded into the holder, or by compressing it between two prongs bolted together.

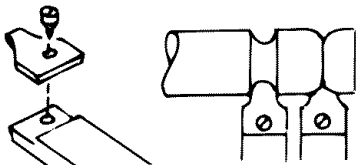


Figure 32

### USING A BLOCK PLANE

Clear, glass-smooth finishes (especially on softwoods) can be obtained by using a block plane set to take a fine shaving.

- The tool rest should be raised up approximately to the top of the workpiece – and the plane should be horizontal, but turned slightly in the direction of travel so that it will take a shearing cut.
- Two tool rests, one in front and the other behind the work, can be used to advantage in positioning the plane so as to exactly limit the depth of cut (and finished size of the workpiece).

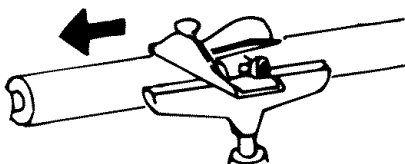


Figure 33

### USING WOOD RASPS AND FILES

- A wood rasp will remove stock quickly when held against the revolving workpiece. Care should be taken to support the rasp firmly against the tool rest. An improperly held rasp, when used on a rough surface, can kick back and cause operator injury.
- The rasp will leave a very rough finish.
- Finer finishes (similar to those produced by scraping) can be obtained by using files in the same manner. Various types of files can be used for shaping vees, beads, coves, etc. If pressed too hard into the wood, some files can burn the workpiece.
- Keep the file clean to keep it cutting uniformly. Files work best on hardwoods.

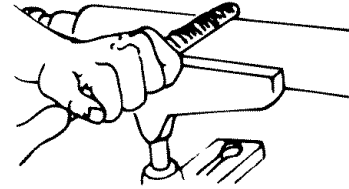


Figure 34 - Using a Rasp

### HAND POSITIONS

When using any of the chisels, the hand takes a natural position on the tool handle. This position may be near the middle of the handle or towards the end, depending upon the amount of leverage required. The position of the hand near the tool rest is a matter of individual preference, but there are three generally accepted positions, each best for certain types of operations.

#### Roughing Off

Roughing off and other heavy work requires a firm grip and solid positioning of the chisel against the rest. This is best obtained by the tool-rest hand positioned illustrated. The wrist is dropped down so that the heel of the hand below the little finger acts as a sliding guide against the rest. The handle hand controls chisel position.

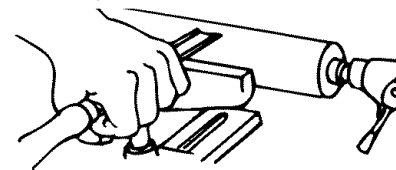


Figure 35 - Roughing

#### Finish Cutting

Finish cutting requires more control – with less force. Finish cutting is better done with the palm of the tool rest hand turned up. The wrist is still held down, and the side of the index finger acts as a guide along the rest. In this position, control of the chisel is shared by both hands. The fingers of the tool-rest hand are free to assist in positioning the tool.

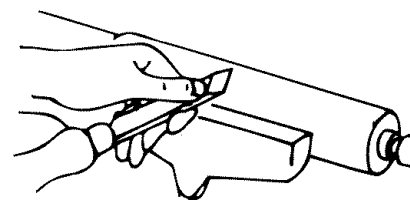


Figure 36 - Finish Cutting

## Intricate Cutting

Intricate, delicate cutting requires extreme control with practically no force. This is best accomplished by guiding the chisel with the fingers of the tool-rest hand. The hand is held palm up with the wrist high. The little finger is placed against the rest to steady the hand. The chisel does not touch the rest and the handle hand is completely secondary to the tool-rest hand.

**NOTE:** The first and second positions are equally good for scraping operations, but the third position is practically never used for scraping.

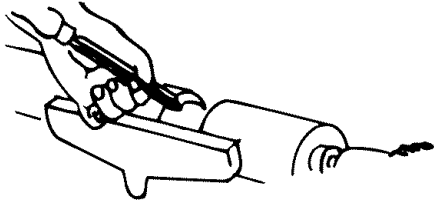


Figure 37

## Cutting to Depth

Many scraping operations and cutting to depth with the parting tool can be easily accomplished with the one hand. The chisel is grasped firmly with the index finger on top to press it down against the rest. It is thrust straight into the work. Holding the tool in this manner leaves the other hand free to hold a pattern or calipers, etc., to check work in progress.

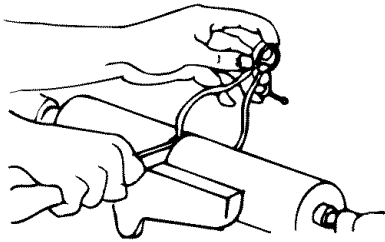


Figure 38

## MAKING STANDARD CUTS

### THE ROUGHING-OFF CUT

Reducing a square or odd shaped workpiece down to a cylinder of approximate size for finish turning is called "roughing-off". Faceplate turnings and large diameter spindles should first be partly reduced by sawing, but small spindles are easily turned down entirely with the large ( $\frac{3}{4}$ " ) gouge.

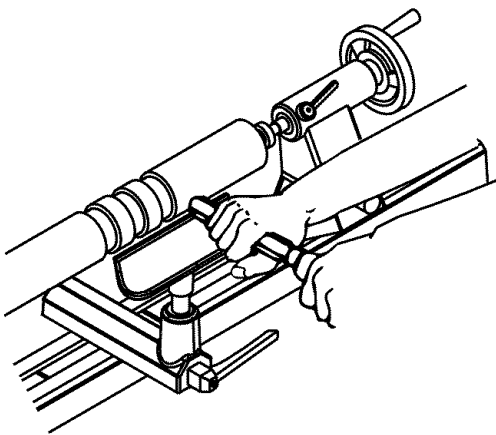


Figure 39

- Start the first cut about 2" from tail stock end – then run it toward the tailstock and off the end of the workpiece.
- Next, start another cut 2" nearer the headstock – and run it back towards the tailstock, to merge with the first cut.

- Continue cutting in this manner until 2 to 4" from the headstock is left uncut. Reverse the direction of tool travel and work one or two cuts in succession toward the headstock and off this end of the workpiece.
- Never start a cut directly at the end – if the chisel catches the end, it will damage the workpiece.
- Never take long cuts while corners remain on the work, as this tends to tear long slivers from the corners.
- The first series of cuts should not be too deep. It is better to partially reduce the work to a cylinder all along its length. After that, start a second series of cuts to complete reducing it to a cylinder.
- Once a cylinder has been formed, step lathe up to next faster speed. Further reductions in size can now be accomplished by cutting as deeply as desired at any spot along the work. At this stage, long cuts can be made from the center to either end.
- Generally, roughing off is continued until the cylinder is approximately  $\frac{1}{8}$ " larger than the desired finished size.
- Roundness can be tested by laying the gouge on top of the work – it will not ride up and down when cylinder is perfectly round.

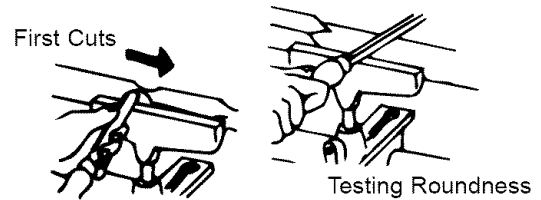


Figure 40

### ROUGH-CUTTING TO SIZE

The roughing-off cut can be made to accurately size the cylinder to a given diameter.

Another method is to make a number of sizing cuts at intervals along the work, then use the gouge to reduce the whole cylinder down to the diameter indicated by these cuts.

### MAKING SIZING CUTS

Sizing cuts are useful to establish approximate finished size diameters at various points along a workpiece. The work can then be turned down to the diameters indicated and be ready for finishing.

- Diameters for sizing cuts should be planned to be about  $\frac{1}{8}$ " greater than the desired finish diameters. A sizing cut is made with the parting tool.
- Hold the tool in one hand, and use the other hand to hold an outside caliper preset to the desired sizing-cut diameter.
- As the cut nears completion, lower the chisel point more and more into a scraping position.
- When the calipers slip over the workpiece at the bottom of the groove, then the cut is finished.

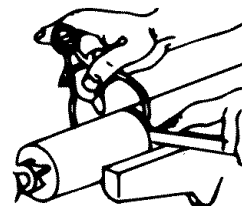


Figure 41

## SMOOTHING A CYLINDER

The final  $\frac{1}{8}$ " can be removed in two ways. Either use the 1" skew, working from the center toward both ends and taking lighter and lighter cuts until finished, or use a block plane as illustrated in Figure 29.

## CUTTING A SHOULDER

A shoulder can be the side of a square portion left in the workpiece, the side of a turned section, or the end of the workpiece. Most shoulders are perpendicular to the work axis, but a shoulder can be at any angle.

- First, mark position of the shoulder with a pencil held to the revolving workpiece.
- Second, make a sizing cut with the parting tool, placing this cut about  $\frac{1}{16}$ " outside the shoulder position and cutting to within about  $\frac{1}{8}$ " of the depth desired for the area outside of the shoulder.
- If shoulder is shallow, the toe of the skew can be used to make the sizing cut. Do not go in deeper than  $\frac{1}{8}$ " with the skew unless wider and wider vees are cut to provide clearance for this tool.

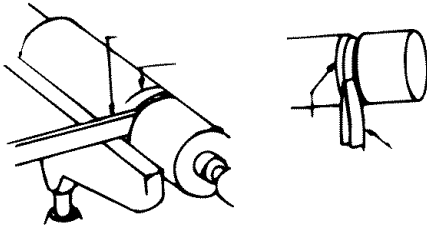


Figure 42

- Use the gouge to remove any waste stock outside of shoulder. Smooth this section, up to within  $\frac{1}{16}$ " of shoulder, in the usual manner. Finishing of the shoulder, unless it is more than 1" high, is best done with the  $\frac{1}{2}$ " skew.
- The toe of the skew is used to remove the shavings from the side of the shoulder – down to finished size.
- Hold skew so the bottom edge of bevel next to the shoulder will be very nearly parallel to side of shoulder – but with cutting edge turned away at the top so that only the extreme toe will do the cutting. If cutting edge is flat against shoulder, the chisel will run.
- Start with handle low, and raise handle to advance toe into the work.
- Cut down to finished diameter of outside area. Then, clean out the corner by advancing heel of the skew into it along the surface of the outside area.
- Tilt the cutting edge, with handle raised up so that only the extreme heel does this cutting.
- If shoulder is at end of work, the process is called squaring the end. In this case, reduce outer portion to a diameter about  $\frac{1}{4}$ " larger than tool center diameter. Then, later, saw off the waste stock.

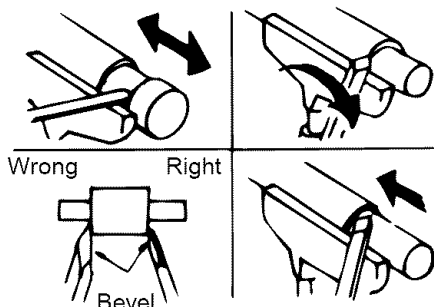


Figure 43

## CUTTING VEES

Ve groove can be cut with either the toe or heel of the skew.

- When the toe is used, the cutting action is exactly the same as when trimming a shoulder except that the skew is tilted to cut at the required bevel. Light cuts should be taken on first one side and then the other, gradually enlarging the vee to the required depth and width.
- When the heel is used, the skew is rotated down into the work, using the rest as a pivot. Otherwise, cutting position and sequence of cuts are the same. As when using the toe, it is important that cutting be done only by extreme end of cutting edge.
- If deep vees are planned, it is quicker to start them by making a sizing cut at the center of each vee.
- Vees can also be scraped with the spear point chisel or a three-sided file.

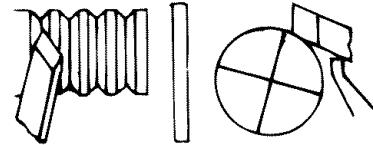


Figure 44

## CUTTING BEADS

This operation requires considerable practice.

- First, make a pencil line to locate the tops (highest points) of two or more adjoining beads.
- Then, make a vee groove at the exact center between two lines and down to the desired depth of the separation between the beads. Be careful not to make the groove too wide or you will remove portions of the desired beads. The sides of the two adjoining beads are now cut with the heel of the skew. Use a  $\frac{1}{2}$ " skew, unless beads are very large.
- Place skew at right angles with the work axis, flat against the surface, and well up near the top. The extreme heel should be just inside the pencil line that marks the top of the bead.
- Now, draw skew straight back while raising handle slowly – until edge of the heel at the pencil line starts to cut.
- As edge begins to cut, roll skew in the direction of the vee so that the exact portion of the edge which started cutting will travel in a 90° arc down to bottom of the vee.
- Upon reaching bottom of the vee, the skew should be on edge.
- Reverse the movements to cut side of the adjacent bead.

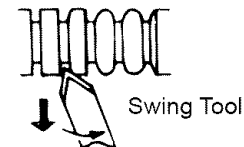


Figure 45 - Cutting Beads

It is important that only the extreme heel should do the cutting. This means that the bottom edge of the bevel next to the vee must at all times be tangent to the arc of the bead being formed.

Easier beads can be shaped with the spear point chisel.

- Use pencil marks and sizing cuts as before.
- Push the chisel straight into each cut and rotate horizontally to round off the adjacent edges. It must be moved slightly in the direction of rotation at the same time to keep the point from digging into the adjacent bead (See Figure 46, page 14).

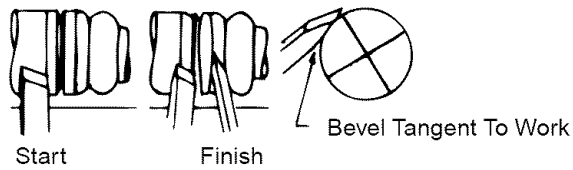


Figure 46

### CUTTING COVES (CONCAVES)

This is the most difficult single cut to master – but one of the most important in good wood turning.

- First, use pencil marks to indicate the edges.
- Then, rough out the cove, to within about  $\frac{1}{8}$ " of the desired finished surface, by scraping with the gouge or round nose chisel. If the cove is to be very wide, sizing cuts can be made to plot the roughing out. Once it is roughed out, the cove can be finished in two cuts, one from each side to the bottom center.
- At the start of either cut, gouge is held with handle high and the two sides of blade held between the thumb and forefinger of tool rest hand, just behind the bevel.
- Position the fingers so that they are ready to roll the blade into cove.
- Hold blades so that bevel is at  $90^\circ$  angle to the work axis with point touching the pencil line and pointed into work axis.
- From this start, depress point slightly to start cut, then continue to move point down in an arc toward the bottom center cove – at the same time rolling chisel uniformly so that, at the end of the cut, it will be flat at the bottom of the cove. The object is to keep the extreme point of gouge doing the cutting from start to finish. Reverse these movements to cut the opposite side.

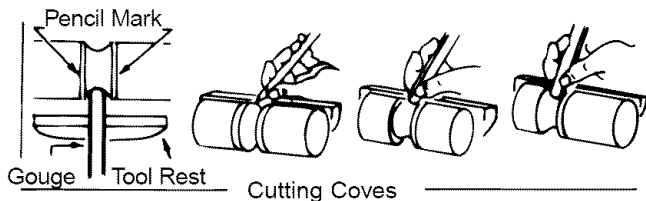


Figure 47

Coves also can be scraped to finish using the round nose chisel or a rattail file. These methods do not generally produce perfectly curved coves.

### MAKING LONG CONVEX CUTS

- First, turn work down to approximate size, using sizing cuts (as required) to determine various diameters. Finish cuts can then be made with either skew or gouge.
- If the skew is used, the principles of the operation are the same as those employed in cutting a bead – except that the curve is longer and may be irregular. Use the extreme heel throughout – start at longer end of curve (if curve is irregular) and progress toward steeper end.
- If gouge is used, make cut in the same direction. Start with the handle well back of point – swinging handle in the direction of tool travel to overtake the point, if necessary, when the steep part of the curve is reached. Object is to have the extreme point doing the cutting throughout with the bevel as tangent to curve as possible.



Figure 48 - Chisel Inclined in Direction of Cut

### MAKING LONG TAPER CUTS

Long taper cuts are made like long convex cuts, with the skew or gouge. However, the angle between the cutting edge and handle is kept constant during the entire cut. The handle is not swung around.

- Always cut downhill. Do not cut too deeply at the center of the taper.

### SPINDLE TURNINGS

#### PLOTTING THE SHAPE

Once the basic cuts have been mastered, you are ready to turn out finished work.

- The first step is to prepare a plan for the proposed turning. This can be laid out on a suitable sheet of paper. The layout should be to full size.
- Next, prepare the turning stock by squaring it up to the size of the largest square or round section in your plan. The stock can be cut to the exact length of the proposed turning. However, in most cases, it is best to leave the stock a little long at one or both ends to allow for trimming.
- Mount the stock in the lathe and rough it off to a maximum-size cylinder.

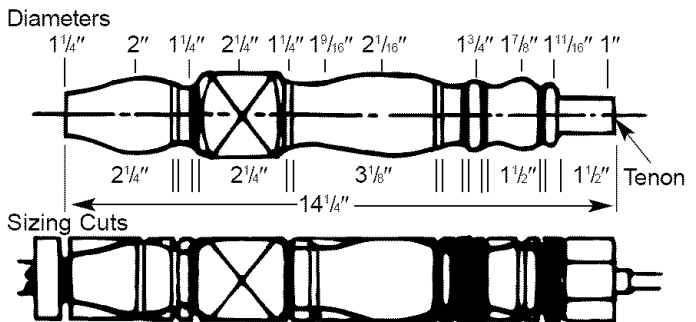


Figure 49

- Now, project your plan onto the turning by pencil marking the various critical dimensions along the length of the spindle. These dimensions can be laid out with an ordinary ruler or by using a template. Make the pencil marks about  $\frac{1}{2}$ " long so they will be visible when the work is revolved under power. The lines can be quickly traced around the spindle by touching each line with the pencil.
- After marking, use the parting tool to make sizing cuts at all of the important shoulders. When learning, you will find it best to make sizing cuts to accurately plot the various diameters. Experienced wood workers can manage with fewer such cuts at the important shoulders.
- Plan each sizing cut so that it is in waste stock and make each cut deep enough so that there will be just enough wood left under the cut for the finishing process.
- Once the sizing cuts have been completed, rough-out the excess wood with a gouge. Then, proceed with the finishing process by making the various types of cuts required.

## RECOMMENDED SPEED

Always follow recommended speed to do spindle turning depending upon the size and length of workpiece.

SQUARE	LENGTH	ROUGH RPM	FINISH RPM
1 to 2"	1 to 12"	1300	2000
1 to 2"	to 24"	1100	2000
1 to 2"	to 38"	1000	2000
2 to 4"	1 to 12"	1000	1800
2 to 4"	to 24"	900	1600
2 to 4"	to 38"	700	1400
4" Plus	1 to 12"	800	1400
4" Plus	to 24"	600	1100
4" Plus	to 38"	400	800

## DUPLICATE TURNINGS

Identical turnings require great accuracy when plotting the work and performing the various cuts. Many methods have been devised to aid in perfecting the work.

### Use of Patterns

Professional workers generally use a pattern or layout board. This is a thin piece of wood or cardboard upon which is drawn a full-size half section of the turning. The contour of the finished surface is drawn first. Then, the diameters at various critical points are drawn to scale as vertical lines intersecting the contour line.

- By placing the pattern against the roughed-out cylinder, you can quickly mark the various points of the critical diameters.
- To make each sizing cut, use outside calipers and set these by actually measuring the length of the vertical lines on the pattern which represent the diameters desired. Make the sizing cut down to the proper diameter by using the calipers to determine when the cut is finished.
- After making the sizing cuts, hang the pattern behind the lathe where it will serve as a guide for completion of the workpiece.

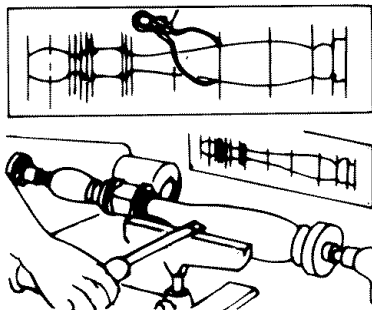


Figure 50

### Using a Template and a Diameter Board

When many identical turnings are to be produced, it is convenient to have a prepared template. This can be made of thin wood or cardboard. It is cut on a band saw or scroll saw to have the exact contour or the finished turning. The number one finished turning can also be used as a template. Attach the template to a board and then mount the board behind the lathe, on hinges, so that the template can be moved down to touch the workpiece and allow you to closely observe progress of your work.

If a great many turnings are being produced, a diameter board will save the time used for resetting calipers. This is simply a thin board along the edge of which a number of semicircular cuts have been prepared to represent all the various caliper settings required for measuring the sizing cuts. Each semi-circular cut is held against the workpiece instead of using the calipers.

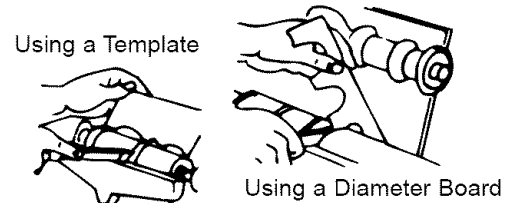


Figure 51

## LONG SPINDLES

A long turning can be worked in short sections, with joints arranged to be at shoulders where they will not be noticed.

- Long thin work that is likely to whip while turning should be supported at one or two places by a backstick. This is easy to make. A simple backstick consists of a short length of wood mounted vertically in an extra tool rest and notched so that it can be used to support the spindle from behind. An improved type, which uses 2 roller skate wheels to form the notch, also is shown.
- Position the backstick against a pre-turned portion near the center of the spindle, this portion being at least  $\frac{1}{8}$ " over finish size to allow for later removal of any marks made upon it.
- Operate lathe at a slower speed than normal. Lubricate the workpiece at point of contact with the backstick. Use beeswax (preferred), lard or grease.
- After completing the turning, remove the backstick and finish off the original point of contact. Sand off any slight burns remaining on workpiece.

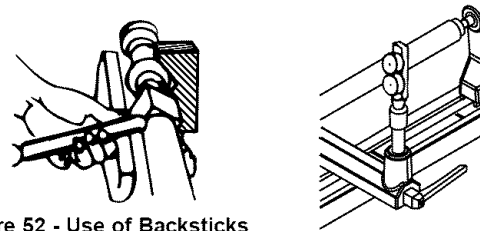


Figure 52 - Use of Backsticks

## CUTTING DOWELS

Dowels of any size can be turned quickly with the simple jig shown. If the stock is prepared as a split or quartered turning, half round and quarter rounds will be produced.

The jig uses a  $\frac{1}{2}$ " gouge as the cutting tool and will produce dowels up to  $\frac{7}{16}$ " diameter. Make the jig from suitable hardwood stock as shown.

- The hole through the jig must be large enough at the side to the left of the gouge to allow passage of the square stock. At the right of the gouge, this hole must be just the diameter of the finished dowel. Make the jig so that you can hold and guide it by hand.
- To start, center the stock like a spindle turning and turn down about 2" at the right end to desired size.

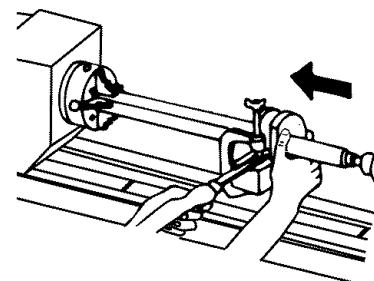


Figure 53

- Then, remove the stock. Place your jig over the turned end, with turned portion through the smaller jig hole, and recenter the stock on the lathe.
- Hold the jig firmly and start the lathe.
- Push the jig slowly right to left along the stock until the whole dowel is completed.

## MISCELLANEOUS OPERATIONS

### GUIDE BLOCKS FOR SCRAPING OPERATIONS

A guide block can be clamped to a chisel to limit the depth of cut and aid in the production of perfect cylinders, tapers and facings on faceplate turnings. Scraping methods must be used when the guide block is employed.

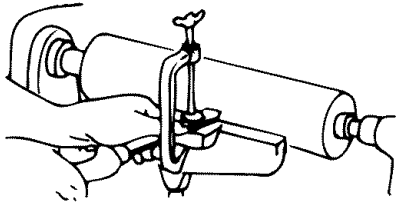


Figure 54

### DRILLING

There are several methods of using the lathe for drilling center holes through wood stock. When the drill is properly mounted, centering of the hole is automatic.

- One method is to mount a drill in the tail stock. The workpiece is held and revolved by the headstock. If the drill has a Morse taper shank, it can be mounted directly in some tail stock rams. Otherwise, it can be mounted in a chuck fitted with the proper type shank.
- Another method of holding the drill is to mount it in the headstock using a 4-jaw (metal-lathe) chuck or a Jacobs chuck. When this method is employed, there is no accurate support for the workpiece so that center drilling is difficult. However, cross drilling, or drilling random holes through stock can be accomplished quickly in this manner.

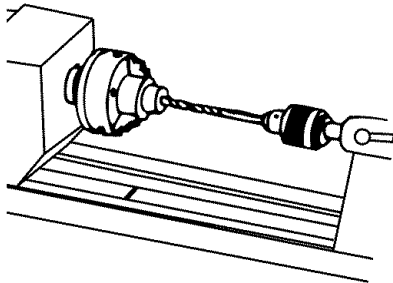


Figure 55

- For cross drilling flat sided work, use a (metal-lathe) drill pad in the tail stock and place a scrap board between the pad and the work. For cross drilling round stock, use a (metal-lathe) crotch center in the tail stock. Large workpieces can be located on supporting blocks laid upon the lathe bed. They can be held by hand or can be supported from behind by a drill pad mounted in the tail stock.

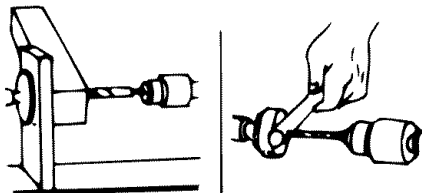


Figure 56 - Cross Drilling

## FACEPLATE AND CHUCK TURNINGS

### PLANNING THE WORK

Make a layout first, to provide a visual pattern to follow while working the turning. Pattern can be laid out in the same manner as spindle patterns – or templates can be made which can be held against the work for visual comparison. Circles to locate the various critical points (at which the contours of the faceplate take distinct form) can be quickly scribed on the rotating work by using the dividers.

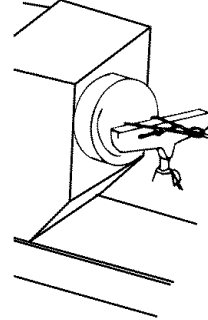


Figure 57

### PLANNING VARIOUS CUTS

The circumference of a faceplate turning is roughed-out and finished in the same manner that a spindle is worked. Practically all of the balance of the operations, however, are done by using scraping methods. A few of the standard contours which must often be tuned are illustrated in the accompanying sketch which also shows the proper chisels for shaping these contours. Any roughing out to depth is generally accomplished with the gouge held in the scraping position.

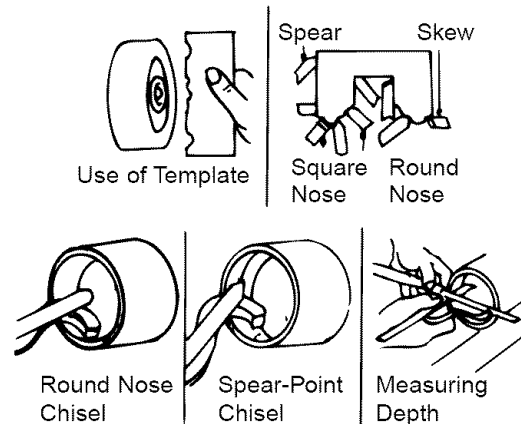


Figure 58

### RECOMMENDED SPEED

Always follow recommended speed to do faceplate and chuck turning depending upon the size and thickness of workpiece.

SQUARE	THICKNESS	ROUGH RPM	FINISH RPM
4 to 7"	Up to 2"	1300	2000
4 to 7"	2 to 4"	1200	2000
4 to 7"	4" Plus	1000	2000
8 to 11"	Up to 2"	1000	1800
8 to 11"	2 to 4"	900	1700
8 to 11"	4" Plus	700	1400
12 to 15"	Up to 2"	700	1200
12 to 15"	2 to 4"	550	1000
12 to 15"	4" Plus	400	800



## DEEP RECESSES

- The first step is to remove as much wood as possible by boring into the center with the largest wood bit available. This can be accomplished as illustrated in Figure 59. Be careful to measure in advance the depth to which drill can be allowed to go.

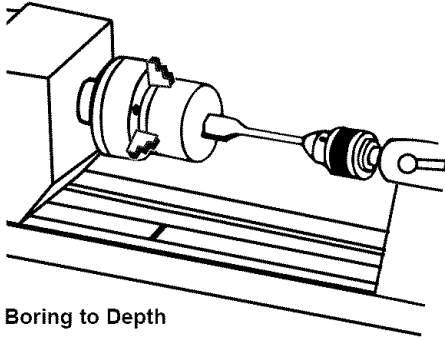


Figure 59 - Boring to Depth

- Now, remove the bulk of the waste (to rough-out the desired recess) by scraping with the round-nose chisel or the gouge. Remove up to within  $\frac{1}{8}$ " of finished size in this manner. Finish off the inside circumference by scraping with the spearpoint chisel or skew. Smooth the bottom of the recess by scraping it flat with the flat nose chisel.
- Proper support must be provided at all times for the scraping chisels. Several tool rest positions are shown in the accompanying illustrations. Always endeavor to position the part of the rest that supports the tool as close to the working surface as possible. The depth and squareness of the sides of the recess can be quickly checked by holding one of the straight sided chisels and a combination square as shown.

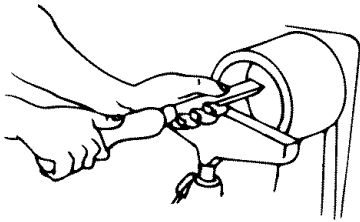


Figure 60

## FANCY FACEPLATE TURNINGS

### PREPARING A PLUG CHUCK

A plug chuck is an auxiliary wood chuck mounted onto a faceplate. The chuck can be any size diameter, but it should be about  $1\frac{1}{2}$ " thick for stability. The wood chuck should be provided with a  $\frac{3}{4}$ " or  $\frac{7}{8}$ " hole in the center for receiving a tenon turned at the end of the workpiece.

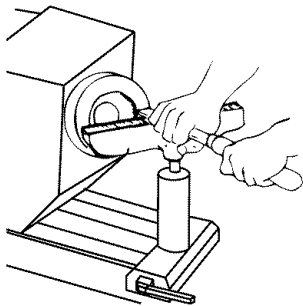


Figure 61

Once made, such chucks are permanent useful fixtures for turning balls, goblets, etc. In use, the wood stock for turning is turned between centers to produce a tenon at one end which will be a driving fit in the hole of the chuck. When mounted in the chuck, the workpiece is substantially supported for any faceplate type of turning.

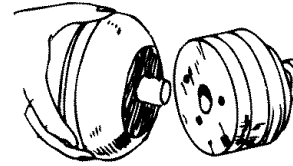


Figure 62

## TURNING CYLINDERS

Stock for cylinders should be mounted on the screw center or a small faceplate. The tail stock can be brought up to support the work while the circumference is being turned and finished. Afterwards, the tail stock is backed off and the outer end of the cylinder is recessed, using methods already described for making deep recesses.

- After making a recess at least  $\frac{1}{2}$  of the way through the workpiece, and finishing this on the inside, remove the workpiece from the lathe.
- Now mount a short length of softwood stock on the screw center and turn this down to form a dowel that will be a tight press (not driving) fit inside the recessed end of the cylinder.
- Mount the cylinder on this wooden chuck, and recess the unworked end deep enough to form a perfect hole through the entire cylinder.

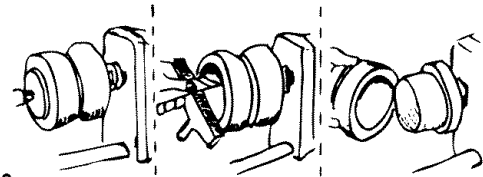


Figure 63

## RECHUCKING

Rechucking is the general term used to describe any additional work mounting that is necessary to complete a turning project. The method of working cylinders, and the use of a plug chuck as already described are typical examples. Another good example is the rechucking of a bowl.

- The work is mounted on a wood backing block secured to the large faceplate and it is turned in the usual manner. All surfaces are cut except the back side (which is against the mounting block). The work is then removed from the mounting block.
- An auxiliary chuck of softwood is now made in the same manner that the cylinder chuck is made. This chuck must have a turned recess properly sized to accommodate the rim of the bowl in a tight press fit.
- When the bowl is mounted in this chuck, the bottom can be cleaned off and slightly recessed to complete the desired contours.



Figure 64

## TURNING A RING

One method of turning a ring requires a spindle chuck.

- The work stock is first mounted to a backing block held by the large faceplate and is turned to shape on the outer side. The inside diameter of the ring is also shaped – all the way through to the backing block.
- The work is then removed from the backing block.

- A spindle chuck is now prepared so that it will be a tight press to fit inside the ring. The ring is reversed and mounted on this chuck. With the ring mounted, the remaining contours can be turned to shape.

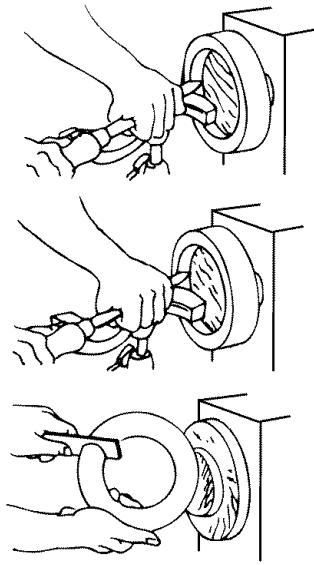


Figure 65

Another method of turning a ring makes use of a recessed chuck.

- The work stock is mounted on a screw center and one half of the ring is formed, but the ring is not cut away from its center.
- The stock is then removed, and a recessed chuck – mounted on the large faceplate – is prepared to receive the ring in a tight press fit.
- After being chucked, the remaining face of the ring can be turned to the proper contour, thus cutting away the center portion.
- In work of this type, take constant measurements or, better yet, use a template to guard against over or under cutting.

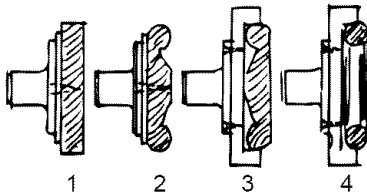


Figure 66

### TURNING BALLS

- Wooden balls of large size are first roughly turned between centers, using standard procedures.
- Smaller balls can be mounted as faceplates on the small faceplate or screw center.
- Lines drawn to indicate the center and ends of the ball shape are helpful in plotting the curve.
- A template should always be used for accurate visual observation of the work progress.

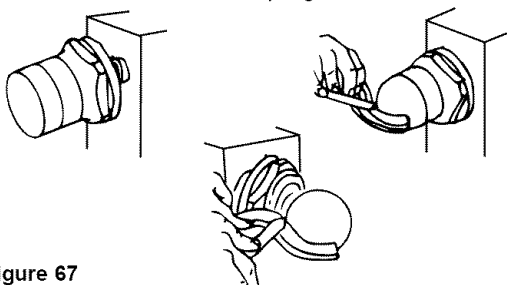


Figure 67

If the ball is mounted as a faceplate turning, almost the entire surface can be turned before it becomes necessary to rechuck it.

- Rechucking can be accomplished in a deep cup chuck which will hold the finished portion of the ball in a tight press fit.
- Another method of rechucking is to use a shallow cup chuck which will not support the ball alone, but must be used in conjunction with the tail stock.
- When using the shallow chuck, a wood block is fitted to the tail stock so that the ball can revolve upon it. This block should be lubricated with beeswax or grease.
  - In using the shallow chuck method, the ball is constantly shifted – never more than  $\frac{1}{8}$  turn – and always in a definite pattern.

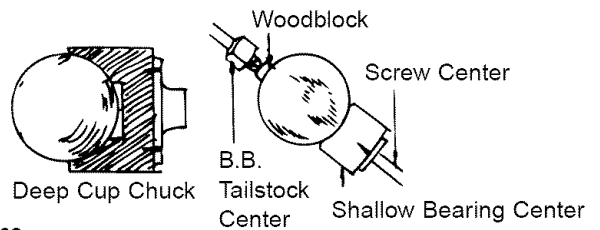


Figure 68

- Since turning between centers makes the work a perfect sphere across the grain, the ball must be mounted in the chuck so that the first scraping cuts will round it up in the opposite direction.

### TURNED BOXES

Turned boxes involve deep recessing together with a special system of working the lid and body of the box together as one unit.

- The inside of the lid is turned first.
- Next, the inside of the body is turned. A careful check must be made when turning the lip of the body portion so that the lid will be a tight press fit.
- The lid is then pressed onto the body and the outer circumference and face of the lid, together with the outer circumference of the body, are turned all at one time. This insures accurate matching of the two pieces.
- After the work is complete, the tight fit of the lid can be relieved by sanding the lip of the body.

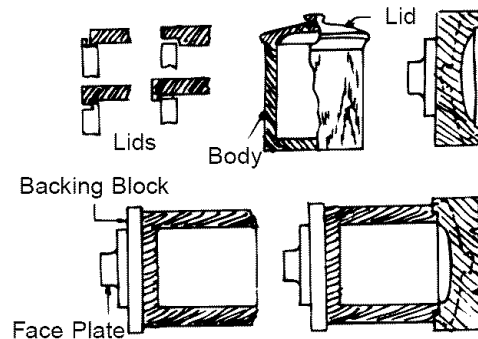


Figure 69

### SEGMENTED TURNINGS

Segmented bowls and boxes are exceptionally attractive – and this method of preparing wood stock is more economical than the use of a large piece of stock. For some types of work, segmenting is the only practical method because a block (if obtainable) would be so large that it would be very likely to warp.

- The bowl illustrated in Figure 66 requires 12 segment pieces for the sides. Bowls can also be worked with 6 or 8 pieces.

- To make the 12-piece bowl, a board about  $\frac{1}{8} \times 3 \times 30$ " is cut into pieces about  $2\frac{1}{2}$ " long, the saw blade being tilted  $15^\circ$  and the board being turned alternately face up and face down to make the successive cuts.
- These 12 pieces are glued together and clamped by wrapping the assembly with wire (or equivalent).
- When dry, the rim thus formed is glued to a temporary circular backing which is mounted on a large faceplate.

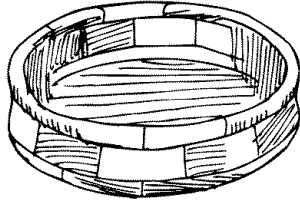


Figure 70

- A  $\frac{3}{4}$ " deep recess of the largest possible diameter is turned in the open end of the rim.
- The rim is removed from the lathe and stock for the bottom is mounted in its place on a second faceplate. This is turned to size – and a rim about  $\frac{1}{8}$ " deep is turned to exactly fit the recess prepared in the rim.
- The rim is then fitted over the bottom and glued, making a drum shape with a faceplate at each end.
- This drum is cut completely in two at a point about  $\frac{3}{4}$ " above the bottom – completing the cut with a hand saw.
- Both parts of the cut surface are faced off square and smooth – then reglued together, breaking the joints exactly half and half. The cutting and regluing process is repeated with a section about  $1\frac{1}{4}$ " wide.
- After this, the temporary backing block is cut off, leaving the bowl as shown in the final illustration. From this point on, the work is simply a matter of turning down the bowl to any desired shape.

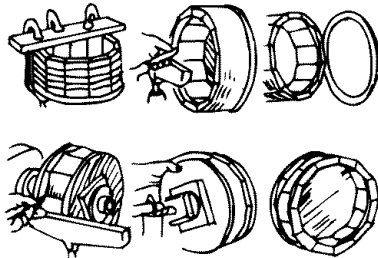


Figure 71

## TURNING PLASTICS

### TYPES OF PLASTICS

There are two general groups of plastics. The first includes all phenol plastics molded under heat and pressure. Bakelite and Formica are examples. In the second are all catalyst setting plastics of various bases sold under such trade names as Lucite, Catalin, Cast Bakelite, Marblette, Tenite and Trafford. Those in the second group are most generally used for craft work. They are easy to turn, being a little harder than wood, but much softer than any of the soft metals.

### MOUNTING THE WORK

The most useful mounting device is the 4-jaw (metal lathe) chuck. When this is not available, cylinders can be mounted on a slightly tapered wooden mandrel. Rods can be mounted between centers, using either the wood mounting centers or metal mounting arrangements. When the spur center is used, slots should be sawed across the work.

## USE OF WOOD TURNING CHISELS

Standard wood turning chisels are excellent for turning plastics by means of scraping methods.

- The tool rest should be slightly below center and the chisel handle should be held a little higher than the cutting edge to give a negative rake.
- Scraping tools should be kept to a minimum. A large contact area, such as the full edge of the spear-point chisel, will cause chatter and probable chipping.
- Properly worked, the chip comes off in a continuous ribbon.
- In cold weather, plastic may become brittle and should be tempered in warm water for about ten minutes before turning.

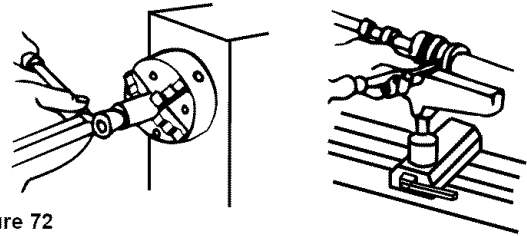


Figure 72

## USE OF FORMED TOOLS FOR PRODUCTION BEADING AND SIMILAR OPERATIONS

When a number of identical pieces are to be produced, all having a distinctive surface pattern, preformed tools will speed the work and assure uniformity. Patterns like those illustrated can be created by grinding thin (.020 to .010") gauge aluminum strips. A holder, like the one shown, can then be used to support any of your prepared strips and to guide it against the workpiece.

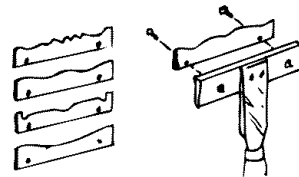


Figure 73

## TURNING BALLS

Plastic balls are rough turned in the usual manner and then brought to perfect roundness by using a tube tool. The tube should be slightly less in diameter than the finished size of the ball. It can be brass or steel, ground square across the end. The tool is used with or without a rest, and is worked by swinging it from side to side.

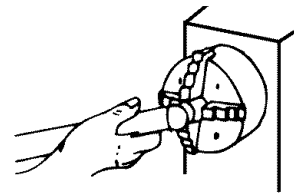


Figure 74

## POLISHING PLASTICS

Start with sanding.

- First use 150-grit dry paper to remove tool marks.
- Then finish off with 150-grit and 400-grit papers, in succession. These abrasives should be wet.
- Press lightly to avoid overheating and marring the work.
- Buffing gives the final polish, using the polishing compounds commonly supplied for this purpose. Do not press too hard or hold the wheel at one spot too long – keep moving around – otherwise the plastic might become heat marked.

## SANDING, BUFFING AND POLISHING

### USING THE LATHE TO SAND TURNINGS

- Turnings should be sanded with the lathe running in second lowest speed.
- A large sheet of sandpaper is useful for smoothing cylinders.
- All other sanding operations are done with a narrow strip of abrasive paper. The best finishing grit is 3/0 for softwood, 4/0 for hardwoods. Worn 2/0 paper is often used, and is the equivalent of 3/0 or 4/0 new paper.

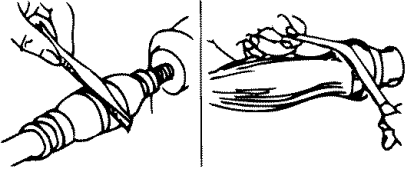


Figure 75

The application of the sandpaper strip is shown in the illustrations.

- Care must be exercised in order to prevent dubbing the corners of beads, shoulders, etc.

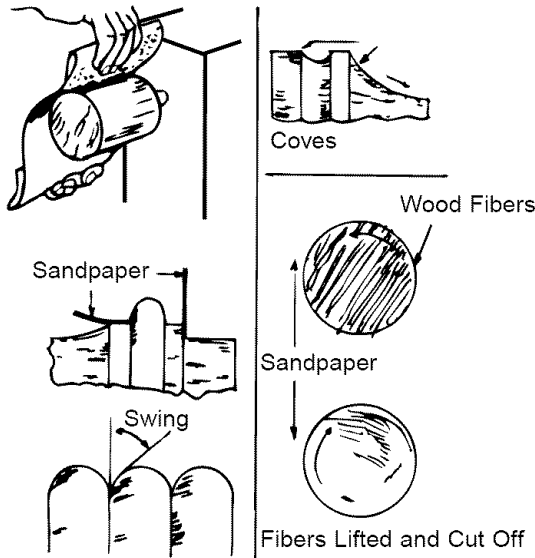


Figure 76

### USE OF SANDING DRUMS

Refer to Figure 77.

Standard sanding drums are usually rubber cylinders which can be expanded to hold an abrasive sleeve in place. Similar cylinders, turned on the lathe and covered with abrasive paper, will be adequate for the job. These have the advantage that special sizes, tapers, etc. can be made. Adhesive papers must be glued to the cylindrical surface precisely and completely.



Figure 77

The drum is used mainly for sanding the edges of curved work.

- The squareness of the edge of the work can be best retained by using a simple form of vertical fence as shown.
- The standard sanding drums are commonly made with a threaded hole to fit the lathe drive spindle.
- To guard against loosening of the taper shank while the drum is in operation, it is advisable to support the free end, using either a ballbearing or plain 60° center in the tail stock.

### USE OF WOOD CHUCKS FOR SANDING

Quick-acting chucks can be very useful for sanding operations on duplicate production parts. The chuck is made slightly oversized, and a piece of rubber hose (for small parts) is inserted in the recess to grip the workpieces.

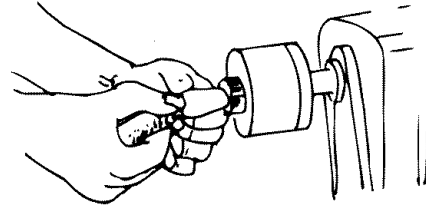


Figure 78

## MAINTENANCE

**WARNING:** Make certain that the unit is disconnected from power source before attempting to service or remove any component.

### CLEANING

Keep machine and workshop clean. Do not allow sawdust to accumulate on the tool. Keep centers clean.

Be certain motor is kept clean and is frequently vacuumed free of dust.

Use soap and water to clean painted parts, rubber parts and plastic guards.

### LUBRICATION

The shielded ball bearings in this tool are permanently lubricated at the factory. They require no further lubrication.

### KEEP TOOL IN REPAIR

- If power cord is worn, cut, or damaged in any way, have it replaced immediately.
- Replace any damaged or missing parts. Use parts list to order parts.

Any attempt to repair motor may create a hazard unless repair is done by a qualified service technician. Repair service is available at your nearest Sears store.

## REPLACING WORN FAN BELT

Refer to Figure 79.

- Remove upper rear cover (1 screw).
- Remove top cover (4 screws).
- Remove front cover.
- Remove and replace belt.
- Assemble in reverse order.

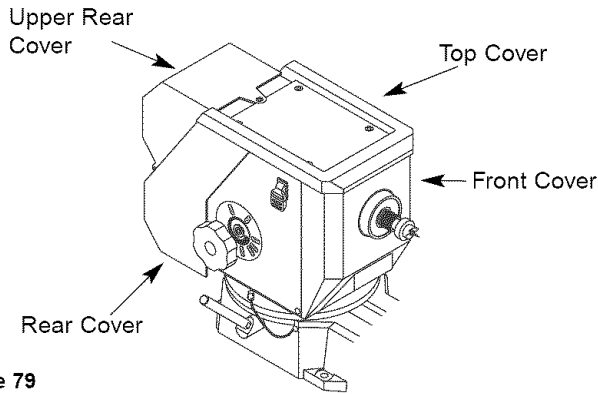


Figure 79

## REPLACING WORN VARIABLE SPEED BELT

Refer to Figures 79 and 80.

**NOTE:** a mechanical jaw puller and snap ring pliers are required to perform this operation.

- Remove upper rear cover (1 screw).
- Remove top cover (4 screws).
- Remove rear cover (4 screws).
- Remove snap ring from drive shaft.
- Remove 4 socket head bolts from plate.
- Using puller, remove plate, bearing and pulley.
- Remove snap ring, cap, spring and pulley from spindle shaft.

**CAUTION:** Cap is spring loaded and in tension.

- Remove and replace belt.
- Assemble in reverse order.

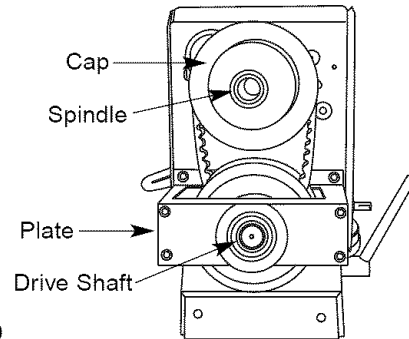


Figure 80

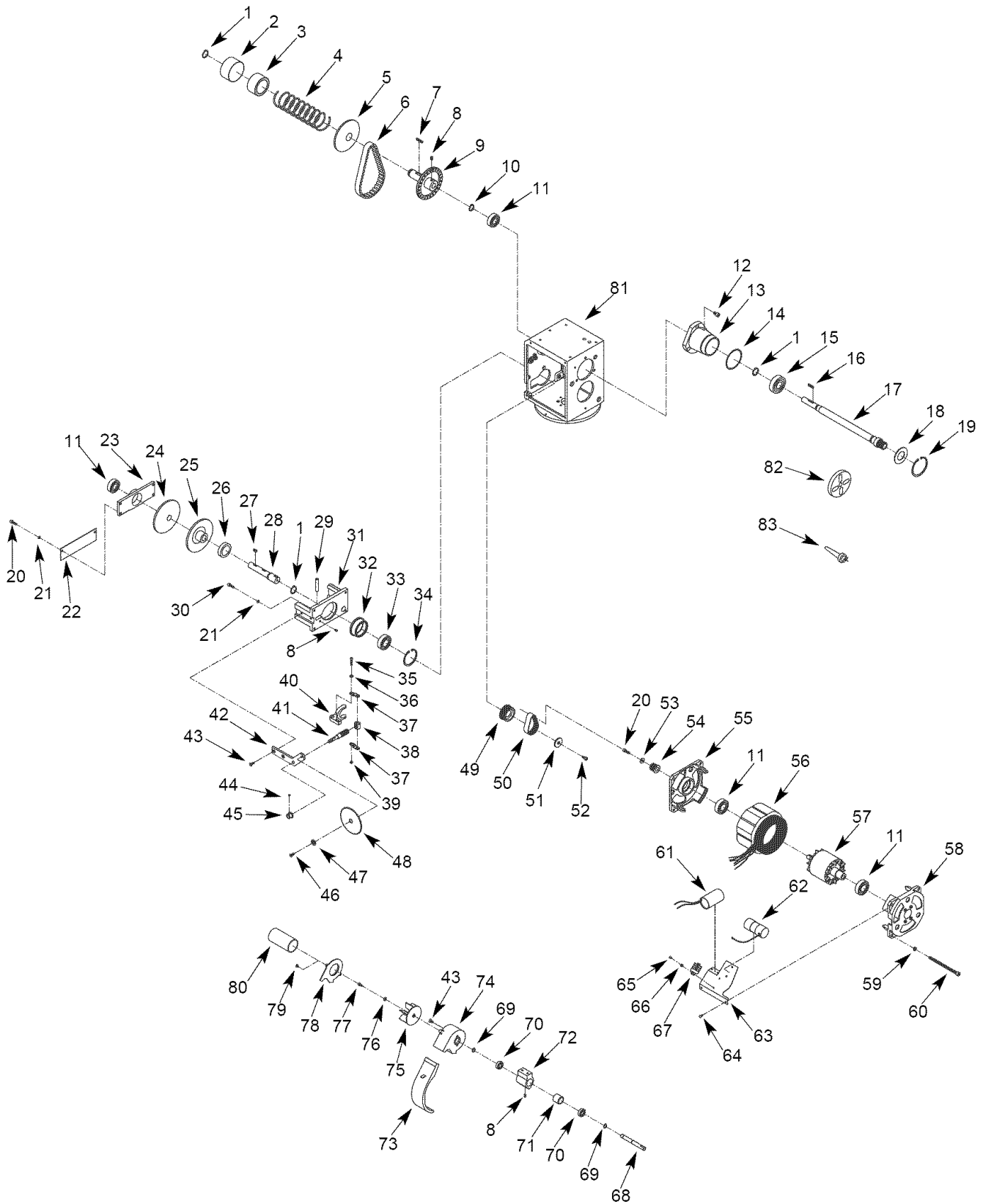
## TROUBLESHOOTING

SYMPTOM	POSSIBLE CAUSE(S)	CORRECTIVE ACTION
Motor will not start	<ol style="list-style-type: none"> <li>1. Low voltage</li> <li>2. Open circuit in motor or loose connections.</li> <li>3. Defective capacitor</li> </ol>	<ol style="list-style-type: none"> <li>1. Check power line for proper voltage</li> <li>2. Inspect all lead connections on motor for loose or open connection</li> <li>3. Replace capacitor</li> </ol>
Motor will not start; fuses blown or circuit breakers are tripped	<ol style="list-style-type: none"> <li>1. Short circuit in line cord or plug</li> <li>2. Short circuit in motor or loose connections</li> <li>3. Incorrect fuses or circuit breakers in power line</li> </ol>	<ol style="list-style-type: none"> <li>1. Inspect line cord or plug for damaged insulation and shorted wires</li> <li>2. Inspect all lead connections on motor for loose or shorted terminals or worn insulation on wires</li> <li>3. Install correct fuses or circuit breakers</li> </ol>
Motor fails to develop full power (power output of motor decreases rapidly with decrease in voltage at motor terminals)	<ol style="list-style-type: none"> <li>1. Power line overloaded with lights, appliances and other motors</li> <li>2. Undersize wires or circuits too long</li> <li>3. General overloading of power company's facilities</li> </ol>	<ol style="list-style-type: none"> <li>1. Reduce the load on the power line</li> <li>2. Increase wire sizes or reduce length of wiring</li> <li>3. Request a voltage check from the power company</li> </ol>
Motor overheats	Motor overloaded	Reduce load on motor
Motor stalls (resulting in blown fuses or tripped circuit breakers)	<ol style="list-style-type: none"> <li>1. Short circuit in motor or loose connections</li> <li>2. Low voltage</li> <li>3. Incorrect fuses or circuit breakers in power line</li> <li>4. Motor overloaded</li> </ol>	<ol style="list-style-type: none"> <li>1. Inspect connections in motor for loose or shorted terminals or worn insulation on lead wires</li> <li>2. Correct the low line voltage conditions</li> <li>3. Install correct fuses or circuit breakers</li> <li>4. Reduce load on motor</li> </ol>
Machine slows down while operating	Applying too much pressure to workpiece	Ease up on pressure
Tool "chatters" during turning operation	<ol style="list-style-type: none"> <li>1. Workpiece is too far out-of-round</li> <li>2. Workpiece has too much wobble</li> <li>3. Operator using bad technique</li> <li>4. Cutting motion is against the grain of the workpiece</li> <li>5. Workpiece is too long and thin – workpiece is deflected by tool pressure</li> </ol>	<ol style="list-style-type: none"> <li>1 True up the roundness of the workpiece before turning operation</li> <li>2. Establish new center marks on ends to reduce wobble</li> <li>3. Read instructions and take lighter cuts to minimize chatter</li> <li>4. Use cutting motion that is with the grain</li> <li>5. Install a steady rest in the middle, behind the workpiece</li> </ol>
Workpiece splits or "breaks up" during turning operation	Workpiece contained defects before mounting	Select or assemble a workpiece that is free of defects

# NOTES

# Model 351.217150

## Figure 81 - Replacement Parts Illustration for Spindle and Drive Assembly





## REPLACEMENT PARTS LIST FOR SPINDLE AND DRIVE ASSEMBLY

KEY NO.	PART NO.	DESCRIPTION	QTY.
1	01900.00	3AMI-25 Retaining Ring	2
2	18013.00	Cap	1
3	18014.00	Spring Retainer	1
4	18015.00	Spring	1
5	18016.00	Movable Spindle Pulley	1
6	18017.00	Variable Speed Belt	1
7	08438.00	5 x 5 x 30mm Key	1
8	01043.00	6-1.0 x 8mm Set Screw	3
9	18018.00	Stationary Spindle Pulley	1
10	00256.00	3AMI-20 Retaining Ring	1
11	STD315245	6204zz Ball Bearing*	4
12	02681.00	8-1.25 x 12mm Socket Head Bolt	3
13	18019.00	Spindle Cover	1
14	18020.00	Spindle O-ring	1
15	STD315353	6305zz Ball Bearing*	1
16	00975.00	5 x 5 x 25mm Key	1
17	18021.00	Spindle	1
18	18022.00	Spacer	1
19	07843.00	3BMI-62 Retaining Ring	1
20	01760.00	6-1.0 x 16mm Socket Head Bolt	6
21	STD852006	6mm Lock Washer*	8
22	18023.00	Plate	1
23	18024.00	Bearing Retainer	1
24	18025.00	Stationary Drive Pulley	1
25	18026.00	Movable Drive Pulley	1
26	18027.00	51107 Bearing	1
27	18028.00	5 x 5 x 14mm Key	2
28	18029.00	Transmission Shaft	1
29	18030.00	Pin	1
30	00179.00	6-1.0 x 20mm Socket Head Bolt	4
31	18031.00	Transmission Shaft Support	1
32	18032.00	Bearing Cap	1
33	STD315255	6205zz Ball Bearing*	1
34	02445.00	3BMI-52 Retaining Ring	1
35	05284.00	5-0.8 x 25mm Socket Head Bolt	2
36	STD852005	5mm Lock Washer*	2
37	18033.00	Retainer	2
38	18034.00	Nut	1
39	STD840508	5-0.8mm Hex Nut*	2
40	18035.00	Link	1
41	18036.00	Adjusting Rod	1
42	18037.00	Retainer	1

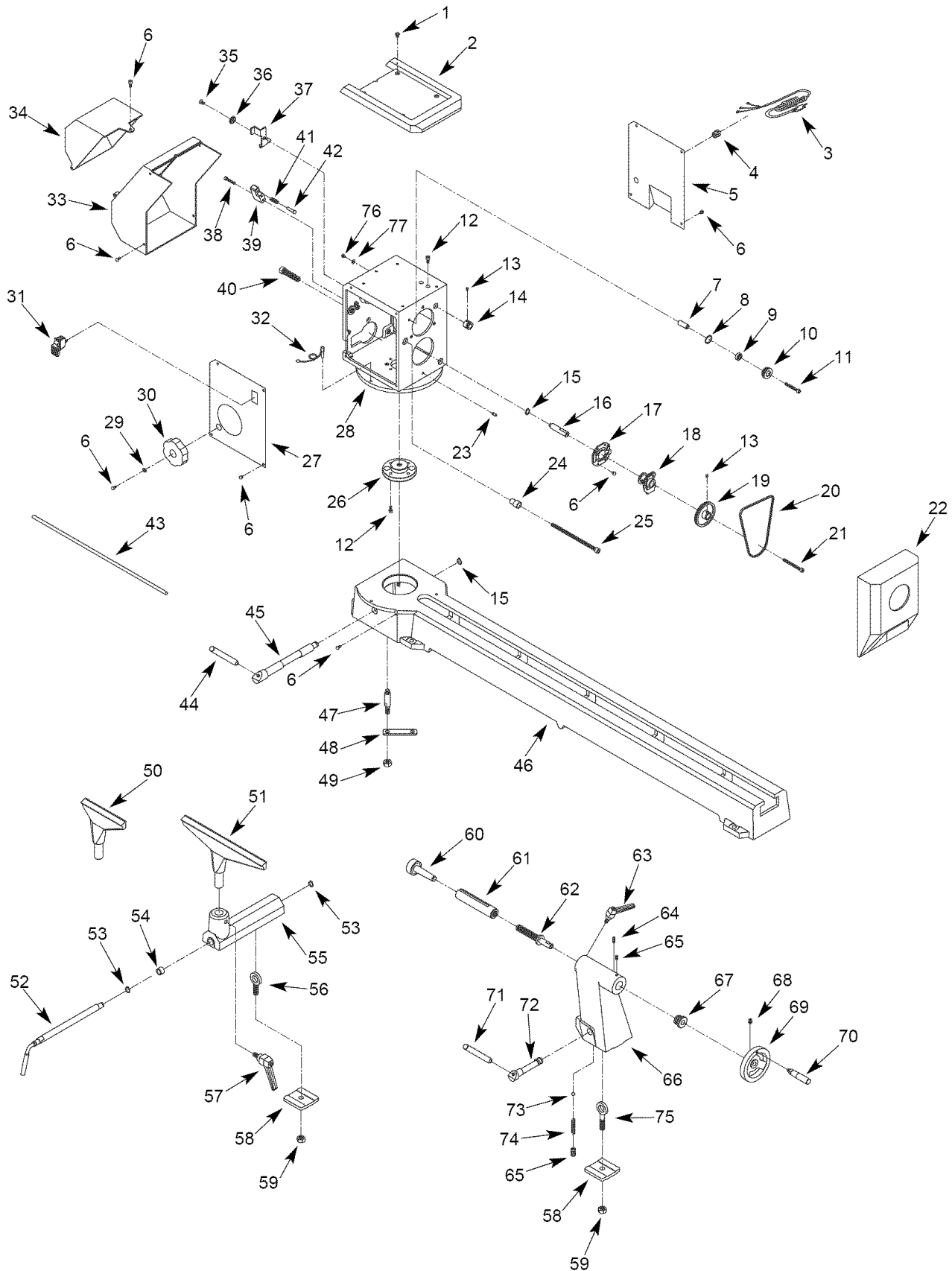
KEY NO.	PART NO.	DESCRIPTION	QTY.
43	08567.00	6-1.0 x 12mm Flat Head Screw	4
44	03069.00	5-0.8 x 6mm Set Screw	1
45	18038.00	Gear	1
46	07458.00	5-0.8 x 10mm Flat Head Screw	1
47	18039.00	Flange	1
48	18040.00	Gear	1
49	18041.00	Transmission Pulley	1
50	18042.00	Drive Belt	1
51	18043.00	Spacer	1
52	01505.00	6-1.0 x 12mm Socket Head Bolt	1
53	STD851006	6mm Flat Washer*	1
54	18044.00	Motor Pulley	1
55	18045.00	Motor Housing, Rear	1
56	18046.00	Stator	1
57	18047.00	Armature	1
58	18048.00	Motor Housing, Front	1
59	STD852008	8mm Lock Washer*	2
60	18049.00	8-1.25 x 135mm Socket Head Bolt	2
61	22040.00	Capacitor	1
62	18050.00	Starting Capacitor	1
63	18051.00	Plate	1
64	01784.00	5-0.8 x 10mm Pan Head Screw	2
65	01903.00	4-0.7 x 10mm Pan Head Screw	2
66	STD851004	4mm Flat Washer*	2
67	18052.00	Terminal Block	1
68	18053.00	Fan Transmission Shaft	1
69	00519.00	3AMI-12 Retaining Ring	2
70	STD315511	6001zz Ball Bearing*	2
71	18054.00	Collar	1
72	18055.00	Bracket	1
73	18056.00	Air Manifold	1
74	18057.00	Fan Housing	1
75	18058.00	Fan	1
76	STD851005	5mm Flat Washer*	1
77	05331.00	5-0.8 x 12mm Socket Head Bolt	1
78	18059.00	Fan Housing Cover	1
79	18060.00	5-0.8 x 10mm Tap Screw	2
80	18061.00	Vent Tube	1
81	18082.00	Headstock Body	1
82	29840	4" Faceplate	1
83	29844	#2MT Spur Center	1
Δ	18062.01	Operator's Manual	1

\* Standard hardware item available locally

Δ Not Shown

# Model 351.217150

## Figure 82 - Replacement Parts Illustration for HeadStock and Bed



## REPLACEMENT PARTS LIST FOR HEADSTOCK AND BED

KEY NO.	PART NO.	DESCRIPTION	QTY.
1	07458.00	5-0.8 x 10mm Flat Head Screw	4
2	18063.00	Top Cover	1
3	00090.00	Line Cord	1
4	00168.00	Strain Relief	1
5	18064.00	Side Cover, Right	1
6	01784.00	5-0.8 x 10mm Pan Head Screw	15
7	18065.00	Spacer	1
8	18066.00	3BMI-19 Retaining Ring	1
9	18067.00	607zz Ball Bearing	1
10	18068.00	Pulley	1
11	01862.00	6-1.0 x 45mm Socket Head Bolt	1
12	01760.00	6-1.0 x 16mm Socket Head Bolt	6
13	03069.00	5-0.8 x 6mm Set Screw	2
14	18069.00	Idler Pulley	1
15	05989.00	3AMI-14 Retaining Ring	2
16	18070.00	Sleeve	1
17	18071.00	Stationary Switch	1
18	18072.00	Rotating Switch	1
19	18073.00	Fan Drive Pulley	1
20	18074.00	Fan Belt	1
21	18075.00	6-1.0 x 75mm Socket Head Bolt	1
22	18076.00	Front Cover	1
23	18077.00	Pin	1
24	18078.00	Sleeve	2
25	18079.00	8-1.25 x 165mm Socket Head Bolt	2
26	18080.00	Plate	1
27	18081.00	Side Cover, Left	1
28	18082.00	Headstock Body	1
29	STD851005	5mm Flat Washer*	3
30	18083.00	Knob	1
31	16080.00	Switch with Key	1
32	18084.00	Pin with Chain	1
33	18085.00	Rear Cover	1
34	18086.00	Upper Rear Cover	1
35	05331.00	5-0.8 x 12mm Socket Head Bolt	1
36	18087.00	Spacer	1
37	18088.00	Index Pin Lever	1
38	05805.00	5-0.8 x 30mm Socket Head Bolt	2
39	18089.00	Block	1

KEY NO.	PART NO.	DESCRIPTION	QTY.
40	18090.00	Stud	2
41	18091.00	Spring	1
42	18092.00	Index Pin	1
43	18093.00	Center Removal Rod	1
44	18094.00	Handle	1
45	18095.00	Eccentric Shaft	1
46	18096.00	Lathe Bed	1
47	18097.00	Threaded Rod	2
48	18098.00	Plate	1
49	01794.00	10-1.5mm Hex Nut	2
50	18099.00	6" Tool Rest	1
51	18100.00	12" Tool Rest	1
52	18101.00	Locking Bar	1
53	00519.00	3AMI-12 Retaining Ring	2
54	18102.00	Bushing	1
55	18103.00	Tool Rest Holder	1
56	06974.00	12-1.75 x 30mm Eye Bolt	1
57	18104.00	Locking Handle	1
58	06976.00	Clamping Plate	2
59	STD841217	12-1.75mm Hex Nut*	2
60	29843	#2MT Bearing Center	1
61	18105.00	Quill	1
62	18106.00	Lead Screw	1
63	18107.00	Locking Handle	1
64	00523.00	5 x 16mm Spring Pin	1
65	01043.00	6-1.0 x 8mm Set Screw	1
66	18108.00	Tailstock	1
67	18109.00	Bushing	1
68	07202.00	8-1.25 x 10mm Set Screw	1
69	18110.00	Handwheel	1
70	18111.00	Handle	1
71	18112.00	Locking Handle	1
72	18113.00	Cam Shaft	1
73	18114.00	Steel Ball	1
74	18115.00	Spring	1
75	06988.00	12-1.75 x 50mm Eye Bolt	1
76	18117.00	Screw	1
77	18118.00	Sleeve	1

\* Standard hardware item available locally

Δ Not Shown

### RECOMMENDED ACCESSORIES FOR SPINDLE AND DRIVE ASSEMBLY

Δ	MT2 Work Arbor with Jacobs Chuck	9-29849
Δ	MT2 Work Arbor with Flanges	9-29850
Δ	MT2 60° Bearing Center	9-29843
Δ	MT2 Spur Center	9-29844
Δ	MT2 60° Center	9-29845
Δ	MT2 Screw Center	9-29846
Δ	MT2 Tailstock Cup Center	9-29847
Δ	8" Soft Buffing Wheel	9-25363
Δ	3" Sanding Drum, 1/2"-20 TPI	9-25364

Δ	4" Face Plate, 1"-8 TPI	9-29840
Δ	8" Face Plate, 1"-8 TPI	9-29841
Δ	6 1/2" x 4-Jaw Chuck, 1"-8 TPI	9-29842
Δ	Center Finder	9-25372
Δ	Lathe Stand	9-22249
Δ	Robert Sorby Turning Tools (6 pc. set)	9-29830
Δ	Bowl Turning Rest Kit	9-29848
Δ	6" x 3- Jaw Scroll Chuck, 1"-8TPI	9-25303

Accessories available in catalog and larger retail stores.

# TORNO DE VELOCIDAD VARIABLE PARA MADERA

Modelo No.  
**351.217150**

**PRECAUCION:** Lea este manual y siga las Reglas de seguridad y las Instrucciones de operación, antes de usar este producto por primera vez.

## CONTENIDO

Inglés .....	2-23
Ilustración y lista de partes .....	24-27
Garantía .....	28
Reglas de seguridad .....	28-29
Desempeque .....	30
Montaje .....	30-31
Instalación .....	31-33
Operación .....	33-48
Mantenimiento .....	49
Identificación de problemas .....	50-51

## GARANTIA

### GARANTIA COMPLETA POR UN AÑO PARA EL TORNO PARA MADERA DE VELOCIDAD VARIABLE CRAFTSMAN

Si durante el período de un año a partir de la fecha de compra el rendimiento del torno para madera Craftsman no ha sido de su entera satisfacción, devuélvalo al Centro de Servicio de Sears más cercano en los Estados Unidos y Sears lo reparará libre de costo.

El servicio de garantía está disponible a través del departamento de Sears que ofrece servicio de reparaciones a domicilio para las marcas principales. Esta garantía le otorga derechos legales específicos y también puede tener otros derechos que varían de estado a estado.

Si este torno para madera se emplea para fines comerciales la presente garantía se aplicará por sólo 90 días a partir de la fecha de compra.

Sears, Roebuck and Co., Dept. 817 WA, Hoffman Estates, IL 60179

## REGLAS DE SEGURIDAD

**PRECAUCION:** Siempre siga los procedimientos de operación correctos tal como se definen en este manual — aun cuando esté familiarizado con el uso de ésta o de otras herramientas similares. Recuerde que un leve descuido puede ocasionar lesiones personales graves.

### ESTE PREPARADO PARA EL TRABAJO

- Lleve puesta ropa adecuada. No use ropa suelta, guantes, corbatas, anillos, pulseras, ni otras prendas que puedan quedar atrapadas en las partes móviles de la máquina.
- Lleve puesta protección para el cabello, para contener el cabello largo.
- Lleve puestos zapatos de seguridad con suela antideslizante.

- Lleve puestas gafas de seguridad que cumplan con ANSI Z87.1 estadounidense. Las gafas de uso diario solamente tienen lentes resistentes al impacto. **NO** son gafas de seguridad.
- Lleve puesta una máscara para la cara o contra el polvo si la operación levanta mucho polvo.
- Esté alerta y piense con claridad. Nunca opere las herramientas mecánicas cuando esté cansado(a), intoxicado(a) o cuando esté tomando medicamentos que producen somnolencia.

### PREPARE EL AREA DONDE REALIZARA EL TRABAJO

- Mantenga el área de trabajo limpia. Las áreas de trabajo desordenadas inducen a accidentes.
- No utilice herramientas mecánicas en ambientes peligrosos. Tampoco en lugares húmedos o mojados. No las exponga a la lluvia.
- El área de trabajo debe estar bien iluminada.
- Mantenga a las visitas a una distancia segura del área de trabajo.
- Mantenga a los niños fuera del lugar de trabajo. Disponga el taller de manera que no presente ningún peligro para los niños. Use candados, interruptores principales o remueva las llaves del interruptor para impedir el uso involuntario de la herramienta.
- Los cordones prolongadores no deben entrar en contacto con objetos afilados, aceite, grasa, ni superficies calientes.

### ES NECESARIO DAR SERVICIO A LAS HERRAMIENTAS

- Siempre desenchufe la herramienta antes de inspeccionarla.
- Consulte el manual para procedimientos de mantenimiento y ajuste específicos.
- Mantenga la herramienta lubricada y limpia para una operación segura.
- Mantenga todas las partes listas para utilizar. Revise la protección u otras partes para determinar si operan correctamente y pueden desempeñar la función para la cual han sido diseñadas.
- Revise si hay partes dañadas. Revise si las partes móviles están alineadas, si hay atascamiento, roturas, montajes y cualquier otra condición que pueda afectar la operación de la herramienta.
- Cualquier protección o parte dañada se debe cambiar o reparar correctamente. No haga reparaciones provisionales. (Use la lista de partes que se incluye para ordenar partes de repuesto.)
- Nunca ajuste los accesorios cuando se encuentren funcionando. Desconecte la energía eléctrica para evitar un arranque accidental.
- Cambie inmediatamente los cordones prolongadores que estén dañados o desgastados.
- Mantenga las herramientas de corte afiladas para lograr una operación eficiente y segura.

### SEPA COMO USAR LA HERRAMIENTA

- Utilice la herramienta apropiada para el trabajo. No fuerce la herramienta ni el accesorio a hacer un trabajo para el cual no han sido diseñados.
- Desconecte la herramienta cuando cambie los accesorios.
- Evite arranques accidentales. Asegúrese que la herramienta esté en la posición OFF (apagado) antes de enchufarla, encender la desconexión de seguridad o activar los interruptores.
- No fuerce la herramienta. Trabjará más eficientemente a la velocidad para la cual fue diseñada.
- Mantenga las manos alejadas del portaherramienta, las puntas y otras partes móviles.

- Nunca deje la herramienta desatendida mientras esté funcionando. Apague la energía eléctrica y no abandone el área hasta que la herramienta se haya detenido completamente.
- No trate de llegar más allá de donde puede alcanzar. Mantenga el equilibrio y el balance correctos.
- Nunca se pare sobre la herramienta. Se pueden producir lesiones graves si la herramienta se inclina o entra en contacto con las puntas accidentalmente.
- Conozca su herramienta. Aprenda cómo opera, su aplicación y sus limitaciones específicas.
- Maneje la pieza de trabajo de forma correcta. Móntela firmemente en los dispositivos de sujeción. Proteja sus manos contra posibles lesiones.
- Apague la máquina si la pieza de trabajo se parte o se suelta.
- Use las herramientas de corte tal como se recomienda en "Operación".

**ADVERTENCIA:** Para su propia seguridad, no opere el torno para madera hasta que esté completamente montado e instalado según las instrucciones.

#### **PROTECCION: OJOS, MANOS, CARA, CUERPO Y OIDOS**

- Si alguna parte del torno falta, funciona mal, se ha dañado o se ha roto, deje de operar la herramienta inmediatamente hasta que la parte en cuestión sea reparada o reemplazada.
- Lleve puestas gafas de seguridad que cumplan con ANSI Z87.1 estadounidense y protección para la cara o una máscara de polvo si la operación levanta mucho polvo. Use orejeras o tapones para los oídos durante períodos de operación prolongados.
- Las astillas de madera sueltas u otros objetos que entren en contacto con la pieza de trabajo giratoria pueden ser proyectados a una velocidad muy alta. Esto se puede evitar si se mantiene el torno limpio.
- Nunca encienda el torno antes de despejar todas las herramientas, desperdicios de madera, etc. de la bancada, el cabezal fijo y el cabezal móvil, excepto por la pieza de trabajo y los dispositivos de soporte que se utilizarán en la operación.
- Nunca coloque la cara ni el cuerpo en línea con el portaherramienta o la placa frontal.
- Nunca coloque sus dedos o sus manos en el trayecto de las herramientas de corte.
- Nunca coloque sus manos en la parte posterior de la pieza de trabajo para soportarla, remover los desperdicios de madera o por cualquier otra razón. Evite las operaciones poco seguras o las posiciones incorrectas de las manos donde un resbalón repentino pueda hacer que sus dedos o manos queden atrapados dentro de una pieza de trabajo giratoria.
- Apague el torno y desconecte la fuente de energía cuando remueva la placa frontal, cambie las puntas, agregue o remueva un dispositivo auxiliar, o cuando haga ajustes.
- Coloque el interruptor de cierre de llave en OFF (apagado) y remueva la llave cuando no se esté utilizando la herramienta.
- Si la pieza de trabajo se parte o se daña en cualquier forma, apague el torno y remueva la pieza de trabajo de los sujetadores. Deseche la pieza de trabajo dañada y empiece con un pedazo de madera nuevo.
- Tenga cuidado especial cuando torne madera que tiene veta torcida o que está alabeada o arqueada — puede cortarse en forma dispereja o moverse excesivamente.

#### **CONOZCA SUS HERRAMIENTAS DE CORTE**

- Las herramientas de corte que están desafiladas, gomosas, mal afiladas o mal preparadas, pueden producir vibración y tintineo durante la operación de corte. Minimice las lesiones potenciales cuidando la herramienta correctamente y haciendo el mantenimiento regular de la máquina.

#### **PIENSE EN LA SEGURIDAD**

La seguridad es una combinación del sentido común y la agudeza mental del operador cuando se esté utilizando el torno.

- Para su propia seguridad, lea todas las reglas y precauciones en el manual del operador antes de usar esta herramienta.
- Para protegerse los ojos, use gafas de seguridad que cumplan con ANSI Z87.1 de Estadounidense.
- No use ropa suelta, guantes, corbatas, anillos, pulseras ni otras joyas que puedan quedar atrapadas en las partes móviles de la máquina o en la pieza de trabajo. Use protección para el cabello, para contener el cabello largo.
- Apriete todas las abrazaderas, los artefactos y la contrapunta antes de aplicar energía eléctrica. Asegúrese que se hayan removido todas las herramientas y llaves.
- Con el interruptor apagado, rote la pieza de trabajo manualmente para asegurarse de que exista un espacio libre adecuado. Haga arrancar la máquina a la velocidad más baja para verificar que la herramienta esté segura.
- En el caso de las piezas grandes, cree una pieza no terminada en otro equipo antes de instalarla en la placa frontal.
- No monte ninguna pieza de trabajo que tenga partiduras o nudos.
- Remueva las puntas del husillo cuando use un dispositivo exterior para el torneado auxiliar.
- **Nunca** trate de volver a montar un torneado de placa frontal en la placa frontal por ninguna razón.
- **Nunca** trate de volver a montar un torneado entre puntas si se han removido o alterado las puntas originales en el torneado.
- Cuando vuelva a montar un torneado entre puntas, donde las puntas originales no han sido alteradas, asegúrese que la velocidad esté ajustada al nivel más bajo para el arranque.
- Tenga cuidado especial cuando monte un torneado entre puntas en la placa frontal o un torneado de placa frontal entre puntas para operaciones secundarias. Asegúrese que la velocidad esté ajustada al nivel más bajo para el arranque.
- **Nunca** lleve a cabo una operación con este torno cuando esté sosteniendo la pieza de trabajo con la mano. No monte escariadores, fresas, brocas, ruedas con rayos de alambre o ruedas pulidoras en el husillo del cabezal fijo.
- Cuando lije manualmente piezas de trabajo montadas en la placa frontal o entre puntas, complete el lijado ANTES de removerlas del torno.
- **Nunca** haga funcionar el husillo en dirección equivocada. La herramienta de corte puede salirse de sus manos. La pieza de trabajo siempre debe girar en dirección del operador.
- En el caso de torneado de husillo, SIEMPRE coloque el soporte de la herramienta sobre la línea del centro de la pieza de trabajo y del husillo (aproximadamente 3,2 mm).
- Use el accesorio del portabrocas en el cabezal móvil solamente. No monte ninguna broca que sobrepase las mordazas del portaherramienta más de 15,2 cm.

**PRECAUCION:** Siga las instrucciones de seguridad que aparecen en el guardacorrea de su torno.

## DESEMPAQUE

Refiérase a la Figura 1.

Revise si han ocurrido daños durante el envío. De ser así, deberá presentar una reclamación ante la compañía de transporte. Revise si la unidad está completa. Avísele inmediatamente a un distribuidor si hay partes que faltan.

Su torno para madera se envía completo en una caja de cartón e incluye un motor. Antes de desechar el material de empaque, separe las partes de dicho material y coteje cada una en la lista de empaque para asegurarse que todos los artículos estén incluidos.

Si alguna parte falta, no trate de montar el torno, enchufar el cordón de la energía eléctrica, o encender el interruptor hasta que se hayan encontrado las partes que faltan y sean instaladas correctamente.

- A Conjunto del cabezal fijo
- B Bancada
- C Conjunto del cabezal móvil
- D Conjunto de la base del soporte de la herramienta
- E Manija
- F Soporte de la herramienta de 30,48 cm
- G Soporte de la herramienta de 15,24 cm
- H Placa frontal de 10,6 cm
- I Punta de espuela
- Bolsa de partes (No se muestra)

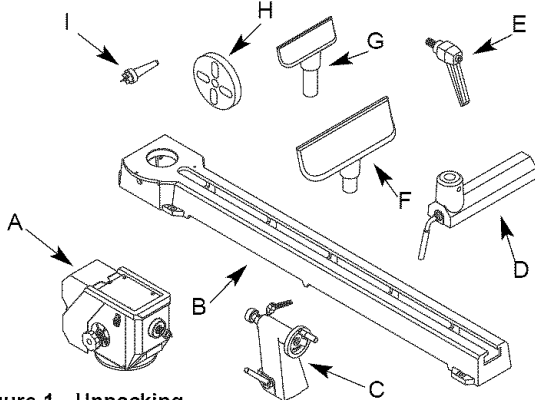


Figure 1 - Unpacking

**IMPORTANTE:** La bancada está revestida con un protector. Para asegurarse de que calce y opere correctamente, remueva la capa protectora. Esta se puede remover fácilmente con solventes suaves, tales como esencias minerales, y un paño suave. Evite que la solución de limpieza caiga en la pintura o en alguna de las partes de goma o de plástico. Los solventes pueden deteriorar estos acabados. Use agua y jabón en la pintura, o en los componentes de plástico o de goma. Limpie todas las partes cuidadosamente con un paño limpio y seco. Aplique cera en pasta a la bancada.

## MONTAJE

Refiérase a las Figuras 2 y 6.

**PRECAUCION:** No trate de montar el torno si hay partes que faltan. Use este manual para ordenar partes de repuesto.

- Remueva todos los componentes de la caja de cartón en que se envió la herramienta y verifique en la lista de partes en la página 26. Limpie cada componente y remueva los conservantes para el envío (capas protectoras) según sea necesario.
- Luego de seleccionar la plataforma del torno, banco, o mesa, coloque la bancada hacia el extremo delantero del lado izquierdo.

- Haga descansar la bancada sobre uno de sus lados con la parte inferior de la bancada orientada hacia usted y con el extremo del cabezal fijo de la bancada sobre el lado izquierdo.
- Coloque el conjunto del cabezal fijo sobre uno de sus lados cerca del extremo izquierdo de la bancada. Instale las varillas roscadas en el cabezal fijo.

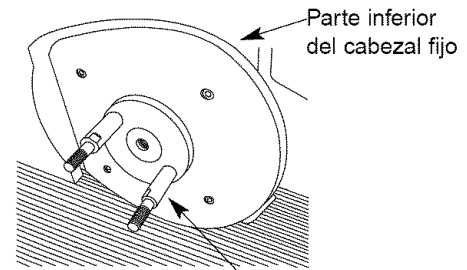


Figura 2 - Instale las varillas roscadas

- Mueva el cabezal fijo hacia la bancada de manera que el cubo en la parte inferior del cabezal fijo quede asentado en el agujero de la bancada. Coloque la placa sobre el eje excéntrico en las varillas roscadas y asegúrela en su posición con tuercas hexagonales.

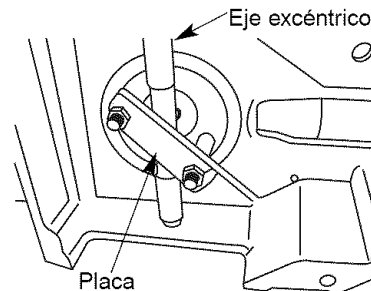


Figura 3 - Asegure el cabeza

- Coloque el torno en posición vertical. Instale la manija de fijación en el eje excéntrico. Asegure la cadena del pasador de alineación en la bancada con un tornillo. Coloque el cabezal fijo de manera que el husillo quede orientado hacia el extremo opuesto de la bancada. Inserte el pasador de alineación a través del cabezal fijo en la manija hacia delante. Asegure el cabezal fijo en su posición tirando de la manija de fijación hacia delante. Asegure la manilla de control de velocidad en su posición usando una arandela y tornillo.

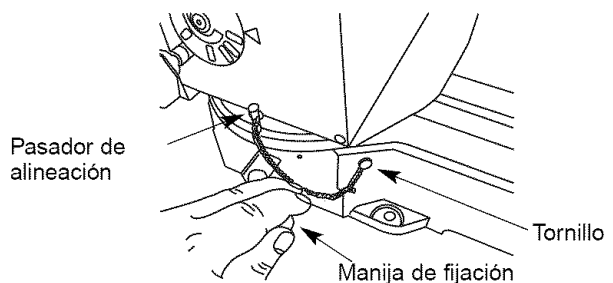
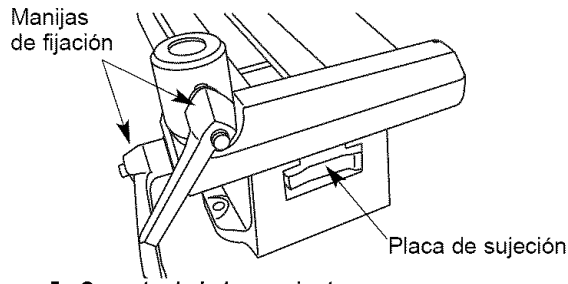


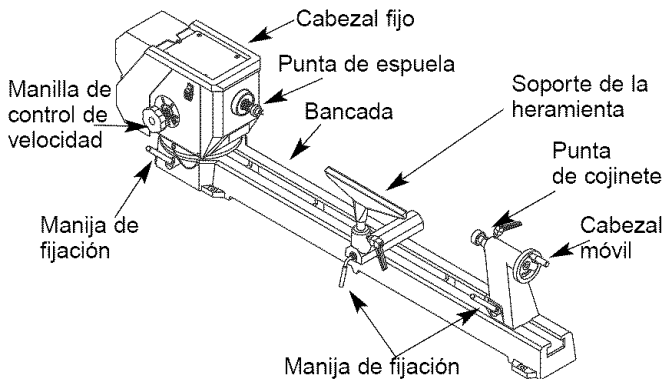
Figura 4 - Asegure el cabezal fijo

- Deslice el conjunto de la base del soporte de la herramienta en la bancada. Asegúrese que la placa de sujeción quede orientada hacia la ranura en la bancada. Asegure en su posición con la manija de fijación. Coloque el soporte de la herramienta de 30.48 cm o 15.24 cm en la base y asegúrelo en su posición.



**Figura 5 - Soporte de la herramienta**

- Deslice el conjunto del cabezal móvil sobre la bancada de la misma manera que la base del soporte de la herramienta. Instale la manija de fijación y asegúrela en su posición.
- Cuando el torno para madera esté listo para usar, deberá aparecer según se muestra en la Figura 6.



**Figura 6 - Conjunto montado**

- Inspeccione el cordón eléctrico y asegúrese de que el enchufe esté en buenas condiciones y no se haya dañado el aislamiento durante el transporte.

## INSTALACION

Refiérase a las Figuras 7-12.

### COMO MONTAR EL TORNO EN EL BANCO

- Coloque el conjunto del torno encima de un soporte o banco apropiado. El extremo donde se encuentra el cabezal fijo debe estar lo suficientemente cerca a un borde lateral para facilitar las operaciones externas de torneado.
- Verifique que la bancada descansa plana encima del banco. Marque las ubicaciones de los agujeros de montaje guiándose por los agujeros en la bancada. Mueva el torno y taladre cuatro agujeros de 10 mm a través de la superficie superior del banco. Regrese el torno a su lugar, e inserte cuatro pernos de carrocería de 8 x 50 mm a través de los agujeros en la bancada. Fije el torno por debajo con arandelas planas, arandelas de seguridad y tuercas hexagonales (no incluidas).

### ESTABILIDAD DEL TORNO PARA MADERA

El torno se debe apernar si tiene la tendencia a inclinarse o moverse cuando se hacen ciertas operaciones de corte, por ejemplo cuando se cortan piezas muy pesadas o largas, u objetos con deformación circunferencial.

### UBICACION DEL TORNO PARA MADERA

El torno se debe colocar de modo tal que ni el operador ni ningún observador se vean forzados a pararse en línea con el porta-herramienta en rotación.

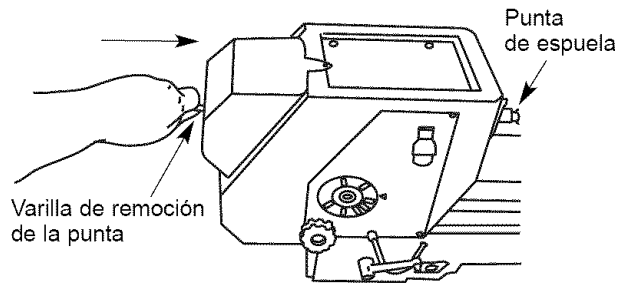
### INSTALACION DE LAS PUNTAS

La punta de espuela y la punta de cojinete tienen un cono Morse No. 2 que encaja con las perforaciones en el husillo y el cabezal

móvil. Para instalar las puntas, insértelas en las perforaciones con un movimiento firme y rápido. Las puntas estarán más apretadas cuando se coloca y se aprieta una pieza de trabajo entre las puntas.

### REMOCION DE LA PUNTA DE ESPUELA DEL HUSILLO

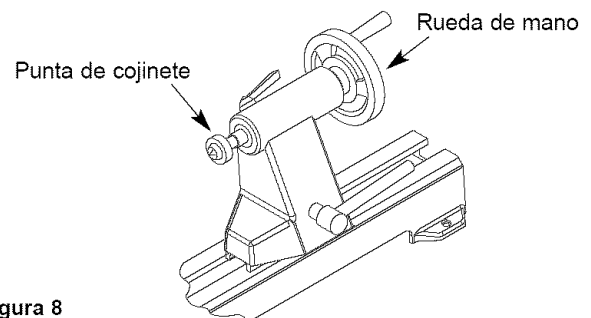
- Para extraer la punta de espuela del husillo, inserte la varilla de remoción de la punta en el husillo y golpee suavemente la punta hasta que salga. Vea la Figura 7.



**Figura 7 - Remoción de la punta de espuela**

### REMOCION DE LA PUNTA DE COJINETE DEL PISON

- Para remover la punta acopada del pisón del cabezal móvil, gire la rueda de mano en el sentido contrario a las manillas del reloj. Refiérase a la Figura 8.



**Figura 8**

### FUENTE DE ENERGIA ELECTRICA

**ADVERTENCIA:** No conecte el torno de madera a la fuente de energía eléctrica hasta que se hayan completado todos los pasos del montaje.

El motor ha sido diseñado para operar con el voltaje y la frecuencia especificados. Las cargas normales serán manejadas en forma segura con voltajes que no varían más de 10% sobre o bajo el voltaje especificado. Si las unidades se hacen funcionar con voltajes que no se encuentran dentro de la clasificación, se pueden sobrecalentar y se puede quemar el motor. Las cargas pesadas exigen que el voltaje en los terminales del motor no sea menor que el voltaje especificado en la placa de identificación.

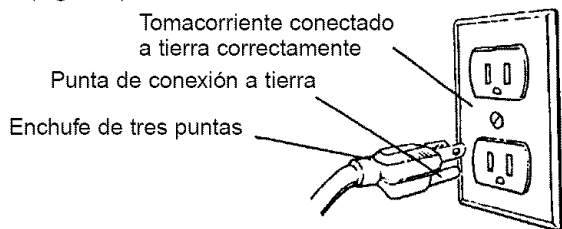
- La fuente de alimentación del motor está controlada por un interruptor oscilante enclavado unipolar. Extraiga la llave para impedir el uso no autorizado de la herramienta.

### INSTRUCCIONES PARA LA CONEXION A TIERRA

**ADVERTENCIA:** Las conexiones incorrectas del conductor de conexión a tierra del equipo pueden producir un riesgo de sacudida eléctrica. Mientras el equipo esté en funcionamiento, deberá mantenerse conectado a tierra para proteger al operador contra una sacudida eléctrica.

- Consulte con un electricista calificado si no entiende las instrucciones para la conexión a tierra o si tiene alguna duda si la herramienta está conectada a tierra correctamente.
- La herramienta está equipada con un cordón de 3 conductores aprobado, con una capacidad de 300 V y con un enchufe tipo conexión a tierra de tres puntas (vea la Figura 9), para proteger al usuario contra los peligros de sacudidas eléctricas.

- El enchufe de conexión a tierra debe enchufarse directamente en un receptáculo tipo conexión a tierra de 3 puntas, instalado correctamente y conectado a tierra, tal como se muestra (Figura 9).



**Figura 9 - Receptáculo de 3 puntas**

- No remueva ni altere la punta de conexión a tierra de manera alguna. De producirse un fallo o una avería, la conexión a tierra ofrece el circuito con la menor resistencia para la sacudida eléctrica.

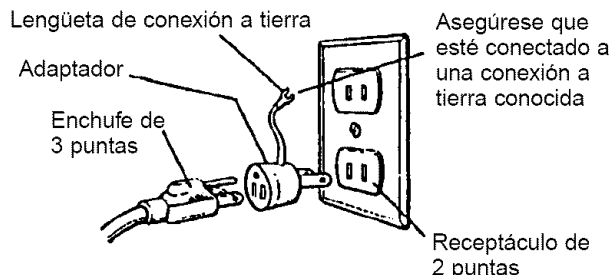
**ADVERTENCIA:** Evite que sus dedos entren en contacto con los terminales del enchufe cuando lo instale o lo remueva del tomacorriente.

- El enchufe debe ser conectado en un tomacorriente que le corresponda, que esté instalado y conectado a tierra correctamente según los códigos y las regulaciones locales. No modifique el enchufe proporcionado. Si no calza en el tomacorriente, haga que un electricista calificado instale el tomacorriente correcto.
- Periódicamente inspeccione los cordones de la herramienta y si están dañados llévelos a un lugar de servicio autorizado para su reparación.
- El conductor verde (o verde y amarillo) en el cordón, es el cable de conexión a tierra. De ser necesario reparar o cambiar el cordón prolongador o el enchufe, no conecte el cable verde (o verde y amarillo) a un terminal cargado.
- En los lugares donde hay receptáculos de 2 puntas en la pared, se debe cambiar por uno de 3 puntas, conectado a tierra correctamente e instalado según el Código Nacional de Electricidad y según los códigos o regulaciones locales.

**ADVERTENCIA:** Un electricista calificado debe realizar este trabajo.

Un adaptador provisional de 3 puntas a 2 puntas (vea la Figura 10) se encuentra disponible para conectar los enchufes a un tomacorriente bipolar en el caso de que éste estuviera conectado a tierra correctamente.

- No use un adaptador de 3 puntas a 2 puntas a menos que lo permitan los códigos y regulaciones locales y nacionales.



**Figura 10 - Receptáculo de 2 puntas con adaptador**

- (En Canadá no se permite usar un adaptador de conexión a tierra de 3 puntas a 2 puntas.) En donde sea permitido, la orejeta rígida verde o el terminal en el lado del adaptador deben conectarse a una conexión a tierra permanente en forma segura, tal como una tubería de agua, una caja de salida o un sistema de cables conectados a tierra correctamente.

- Muchos de los tornillos de las placas de cubierta, tuberías de agua y cajas de salida no están conectados a tierra correctamente. Para asegurarse que habrá una conexión a tierra correcta, un electricista calificado deberá probar los medios de conexión a tierra.

### CORDONES PROLONGADORES

- El uso de un cordón prolongador produce una caída en el voltaje y pérdida de energía eléctrica.
- Los cables de los cordones prolongadores deben ser del tamaño suficiente para llevar la corriente y mantener un voltaje adecuado.
- Use la tabla para determinar el tamaño mínimo de los cables del cordón prolongador (A.W.G.).
- Use sólo cordones prolongadores de 3 cables que contengan enchufes de conexión a tierra de 3 puntas, y receptáculos tripolares que se adapten al enchufe de la herramienta.
- Si el cordón prolongador está desgastado, cortado o dañado en alguna forma, cámbielo inmediatamente.

### Longitud del cordón prolongador

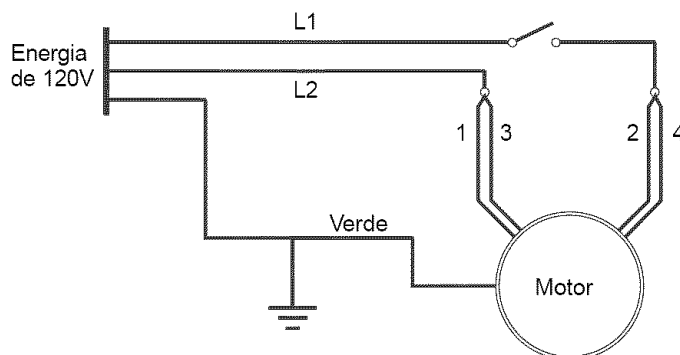
Longitud del cordón	Tamaño del cable A.W.G
Hasta 7,62 metros	14

**AVISO:** No se recomienda el uso de cordones prolongadores de una longitud mayor a 7,62 metros.

### EL MOTOR

El torno para madera tiene un motor y el cableado necesario, instalados como partes integrales del conjunto del cabezal fijo.

Caballos de fuerza (desarrollo máximo)	2
Voltaje (C.C.)	120/240
Amperios	12/6
Hertz	60
Fase	Monofásico
RPM	1725
Rotación (visto desde el lado izquierdo)	En el sentido de las manillas del reloj



**Figura 11 - Diagrama de cableado**

### CONEXIONES ELECTRICAS

**ADVERTENCIA:** Asegúrese que la unidad esté apagada y desconectada de la fuente de energía eléctrica antes de inspeccionar cualquier cableado.

El motor está instalado y conectado tal como se muestra en el diagrama de cableado (vea la Figura 11).

El torno viene precableado para uso con una fuente de alimentación de 120 voltios, 60 Hz. El abastecimiento de energía eléctrica que se usa en el motor está controlado por un interruptor oscilante de enclavamiento, unipolar.



Las líneas de energía eléctrica van insertadas directamente en el interruptor. La línea verde de conexión a tierra debe permanecer sujeta firmemente al bastidor para brindar la protección adecuada contra sacudidas eléctricas.

- Retire la llave para impedir el uso no autorizado.

### OPERACION DE 240 VOLTIOS

- Para utilizar el torno con una alimentación de 240 V, haga que un técnico electricista calificado conecte un enchufe de tres puntas de 240 voltios y 15 amperios al cable del torno e instale los conectores y receptáculos adecuados a la alimentación.
- Consulte el diagrama de cableado (Figura 12) para ver las instrucciones de cableado.

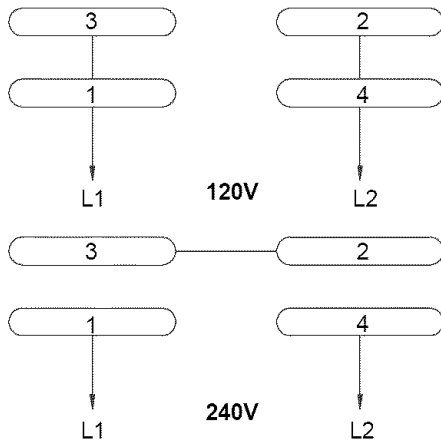


Figura 12 - Diagrama de cableado

## OPERACION

Refiérase a las Figuras 13 - 78.

### DESCRIPCION

El torno para madera de 96,5 cm Craftsman, ofrece la capacidad para torneear piezas de trabajo de madera de hasta 96,5 cm de largo y 10,16 cm de diámetro. Este torno también puede torneear recipientes de hasta 38,1 cm de diámetro y 10,2 cm de espesor. El motor, enfriado por ventilador, rota a 1725 RPM y la velocidad del husillo va de 360 a 2400 RPM. El sistema de ajuste de tensión facilita y agiliza los cambios de correas y de velocidad. El husillo extendido permite torneear en el exterior cómodamente.

### ESPECIFICACIONES

Longitud de torneado (máx.)	96,52 cm
Diámetro del recipiente (máx.)	38,1 cm
Longitud total	152,4 cm
Altura total	38,1 cm
Ancho	20,32 cm
Velocidad del husillo	360 a 2400 RPM
Cono del husillo	2MT
Rosca del husillo	1"-8
Cono del cabezal móvil	2MT
Interruptor	SP, Interruptor oscilante de seguridad
Motor	120/240V, 12/6
Peso	80 kg

**ADVERTENCIA:** La operación de cualquier herramienta mecánica puede proyectar objetos extraños en dirección a los ojos, y lesionarlos gravemente. Siempre lleve puestas gafas de seguridad que cumplan con ANSI Z87.1 estadounidense (se muestran en el paquete) antes de comenzar a operar la herramienta mecánica. Las gafas de seguridad están disponibles en las tiendas al por menor de Sears o por catálogo.

**PRECAUCION:** Siempre observe las precauciones de seguridad siguientes:

### PRECAUCIONES DE SEGURIDAD

- Cuando ajuste o cambie cualquier parte en la herramienta, apague el interruptor y remueva el enchufe de la fuente de energía eléctrica.
- Vuelva a revisar todos los mangos de seguridad. Deben estar apretados en forma segura.
- Asegúrese que todas las partes movibles estén libres y que no tengan ninguna interferencia.
- Asegúrese que todos los sujetadores estén apretados y que no se hayan soltado con la vibración.
- Desconecte la energía eléctrica y pruebe la operación manualmente para verificar el espacio libre, y ajústelo de ser necesario.
- Siempre lleve puesta protección para los ojos o una careta de protección.
- Después de encender el interruptor, permita que el husillo alcance la velocidad completa antes de comenzar a torneear.
- Asegúrese que el motor funcione en el sentido inverso de las manillas del reloj cuando se mira del husillo desde el extremo derecho (lado interior del cabezal fijo).
- Mantenga las manos alejadas del husillo, puntas, poleas y de otras partes movibles de la máquina.
- Si desea un rendimiento óptimo, no detenga el motor ni reduzca la velocidad. No fuerce la herramienta.

### INTERRUPTOR DE ON-OFF (ENCENDIDO-APAGADO)

Refiérase a la Figura 13.

El suministro de energía al torno se controla mediante el interruptor oscilante de seguridad. Para encender el torno:

- Ponga el interruptor oscilante en la posición ON (encendido).

Para apagar el torno:

- Ponga el interruptor oscilante en la posición OFF (apagado).

El interruptor oscilante tiene una llave amovible para impedir el uso no autorizado del torno o un arranque accidental del mismo. Siempre extraiga la llave para impedir el uso del torno.

Para impedir el uso del torno:

- Ponga el interruptor oscilante en la posición OFF (apagado).
- Desconecte el cordón de la fuente de energía eléctrica.
- Extraiga la llave amovible. La llave tiene las palabras, "Remove to Lock" (retire para bloquear).
- Guarde la llave en un lugar seguro.

**AVISO:** Es posible "CAMBIAR LA POSICION DEL INTERRUPTOR" sin tener la llave puesta, pero no se puede encender el torno a menos que la llave esté puesta.

Para permitir el uso del torno:

- Ponga el interruptor oscilante en la posición OFF (apagado).
- Inserte la llave en el interruptor oscilante.
- Conecte un cable a la fuente de alimentación.
- El interruptor, ahora puede ser accionado.

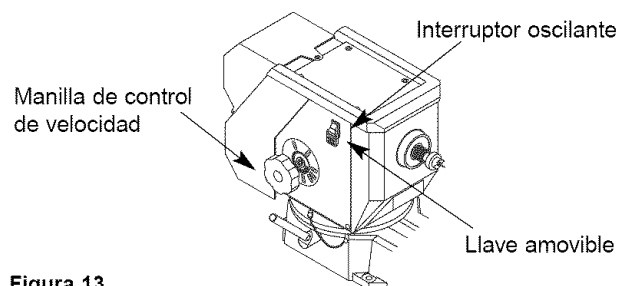


Figura 13

## CAMBIO DE VELOCIDAD

Para variar la velocidad del husillo, gire la manilla de control de velocidad hasta la velocidad deseada. Refiérase al cuadro de velocidades para operaciones de torneado específicas.

**PRECAUCION:** Cambie las velocidades sólo mientras el motor esté funcionando.

## TORNEADO DE HUSILLO

Si nunca ha torneado madera, le sugerimos que practique usando las diversas herramientas para tornear madera. Empiece torneando con el husillo pequeño.

Asegúrese de usar las páginas siguientes de este manual. Las mismas explican e ilustran el uso correcto de las herramientas para tornear, la posición del soporte de la herramienta y otra información que le puede ayudar a obtener experiencia.

- Seleccione una pieza de madera de 5,1 cm x 5,1 cm x 30,5 cm.
- Dibuje líneas diagonales en cada extremo para ubicar las puntas.

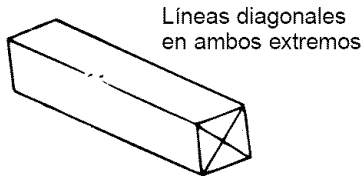


Figura 14

- En un extremo, haga un corte de sierra de aproximadamente 1,6 mm de profundidad en cada línea diagonal. Esto es para la punta de espuela.
- El otro extremo utiliza la punta de cojinete. Coloque el puntero de la punta de cojinete en la madera, donde se cruzan las líneas diagonales.
- Clave la punta de cojinete en la madera. Use un martillo de madera o de plástico pero coloque un pedazo de madera en el extremo de la punta de cojinete para protegerla contra daños.

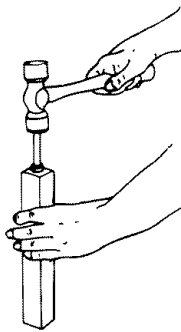


Figura 15

- Remueva la punta de cojinete y clave la punta de espuela en el otro extremo de la madera. Asegúrese que las espuelas estén en los mismos cortes. Remueva la punta de espuela.
- Asegúrese que las puntas y el agujero en el husillo y el pisón del cabezal móvil estén limpios. Inserte la punta de espuela en el cabezal fijo y la punta de cojinete en el cabezal móvil. Golpéelos suavemente con un pedazo de madera. No los introduzca.
- Si la punta de cojinete no es del tipo de rodamiento de bola, añada una gota de aceite o de cera en la madera, donde entra en contacto con la punta de cojinete. Esto lubricará la madera mientras se está torneando.
- Coloque la madera entre las puntas y asegure el cabezal móvil.
- Mueva la punta de cojinete dentro de la madera girando la rueda manualmente. Asegúrese que la punta de cojinete y la de espuela estén "asentadas" en la madera en los agujeros que se hicieron previamente. Rote la madera manualmente al mismo tiempo que gira la rueda de mano.

- Ajuste el soporte de la herramienta a aproximadamente 3,2 mm de distancia de las esquinas de la madera y 3,2 mm sobre la línea del centro. Fijese en la posición en ángulo de la base del soporte de la herramienta. Asegure la base del soporte de la herramienta y el soporte mismo.

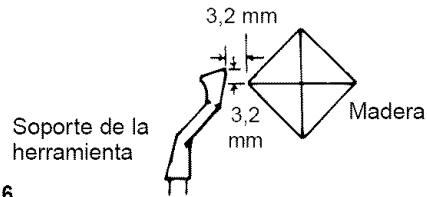


Figura 16

- Consulte el cuadro de velocidades (en la página 38). Por ejemplo, será necesaria una velocidad de 1100 RPM para desbastar en el torno una pieza de madera de sección cuadrada de 5,08 cm y 45,72 cm de largo. Gire la madera a mano para asegurarse de que las esquinas no hagan contacto con el soporte de la herramienta y verifique que el pasador divisor no esté encajado.

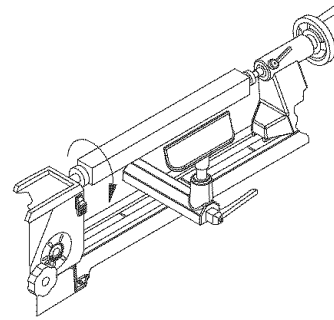


Figura 17

## DIVISION

Refiérase a la Figura 18.

La polea del husillo —24 agujeros equidistantes a 15° apart. El pasador divisor pasa a través de la rueda indicadora y encaja en uno de los 24 agujeros para impedir que el husillo gire mientras usted marca la pieza de trabajo.

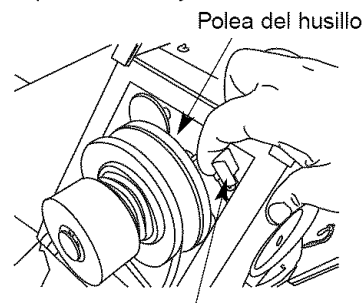


Figura 18 Palanca del pasador del índice

Por ejemplo, para localizar la posición de seis entalladuras en un cilindro, siga los pasos a continuación:

- Abra la cubierta posterior superior.
- Tire hacia atrás de la palanca del pasador del índice hasta que el pasador del índice engrane en uno de los 24 agujeros de la polea del husillo.
- Ajuste el soporte de herramienta de 30,48 cm para que esté a la altura de la línea central de la pieza de trabajo y haga una marca.
- Empuje la palanca del pasador del índice hacia delante para soltar el pasador. Gire lentamente la pieza de trabajo hasta que el pasador quede a 60 (4 agujeros) de la posición inicial. (La polea del husillo tiene una escala de grados). Engrane el pasador del índice en la polea y coloque otra marca en la pieza de trabajo.

- Continúe con estos pases hasta que haya 6 marcas en la pieza de trabajo.
- Los torneados de configuraciones cóncavas o de ruedas se pueden marcar de la misma forma.

**ADVERTENCIA:** El pasador divisor deberá estar desenchajado para todas las otras operaciones en el torno.

### TORNEADO EXTERIOR

Esta técnica hace posible realizar trabajos en esta máquina que son muy grandes para montarlos convencionalmente. Es como el torneado con la placa frontal, excepto que debido al tamaño de la pieza de trabajo se debe tener cuidado y las velocidades se deben limitar a las velocidades mínimas. Si espera hacer torneado exterior necesitará un soporte para torneado de configuraciones cóncavas (véase Accesorios Recomendados, página 27). El soporte para torneado de configuraciones cóncavas es adjuntarse al banco de torno.

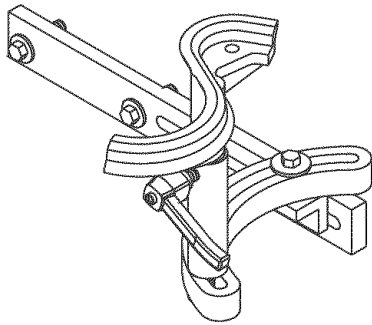


Figura 19 - Soporte para torneado de configuraciones cóncavas

**PRECAUCION:** No trate de empujar este soporte cuando esté cortando. No trate de montar un trabajo demasiado grande que el motor deba ser forzado para tornerlo. Si desea experimentar con esta técnica, hágalo con maderas blandas. Deje la madera más dura y más pesada para luego.

Para preparar el torno para torneado exterior, desbloquee el cabezal fijo tirando hacia arriba de la manija de fijación. Retire el pasador y gire el cabezal fijo 90. Inserte el pasador en el agujero de alineación exterior y asegure el cabezal fijo con la manija de fijación.

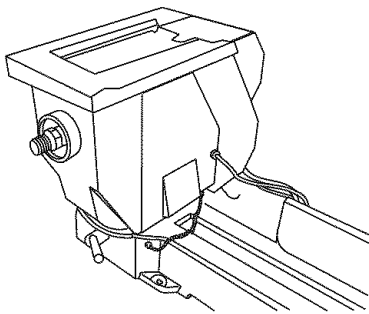


Figura 20 - Torneado exterior

### COMO SE USAN LOS CINCELES PARA TRABAJOS DE MADERA

#### SELECCION DE CINCELES

Los mejores cinceles tienen mangos de aproximadamente 25,4 cm de largo para ofrecer suficiente agarre y palanca. Las herramientas afiladas son esenciales para llevar a cabo un trabajo limpio fácilmente. Seleccione las herramientas que adoptarán y sujetarán a los bordes afilados.

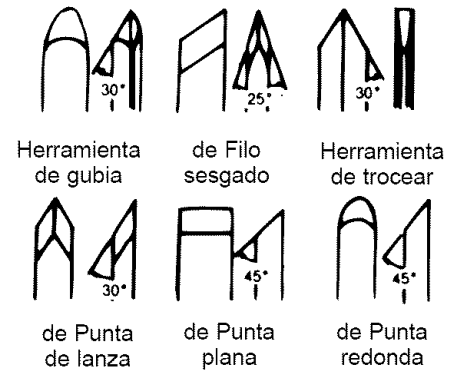


Figura 21 - Los seis tipos de cincel más utilizados

### TEORIA DE TORNEADO

Las dos clases de cinceles son: aquellos que tienen como fin principal cortar y los que se usan para raspar.

- Los cinceles de corte son los de gubia, los de filo sesgado y los que se utilizan para trocear. Estos son los que más se usan. Se afilan normalmente hasta lograr un borde parecido al de una hoja de afeitar afilando ambos lados.
- Los cinceles de raspar son el de punta plana, el de punta redonda y el de punta de lanza. Estos no se afilan en los lados planos – los bordes tipo alambre que quedan después del esmerilado se dejan para ayudar en el proceso de raspar.

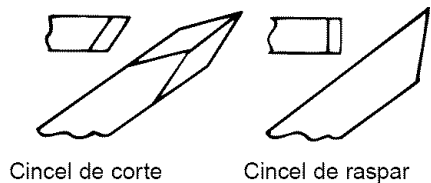


Figura 22

### Corte y Raspado

- Para cortar, se sujeta el cincel de modo que el borde afilado caiga dentro del trabajo que gira para pelar las virutas.
- Para raspar, se sujeta el cincel en un ángulo recto con respecto a la superficie de trabajo. Esta herramienta remueve las partículas finas en vez de las virutas.

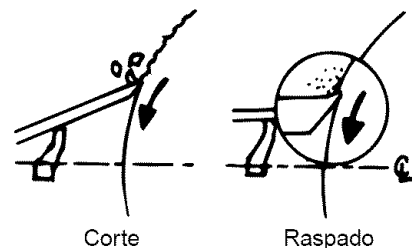


Figura 23

Muchas de las operaciones requieren que los cinceles de corte se usen para raspar, pero los cinceles de raspar casi nunca se emplean para cortar. El raspado desafilado un cincel mucho más rápido, especialmente los cinceles de corte afilados como hoja de afeitar.

El corte es más rápido que el raspado y produce un acabado más liso que necesita menos lijado. Sin embargo, es mucho más difícil de dominar. Por otra parte, el raspado es mucho más preciso y más fácil de controlar.

## Cuándo se puede cortar y cuándo se debe raspar

Hay dos enfoques distintos:

- Uno de los enfoques es hacia la circunferencia de la pieza de trabajo (por ejemplo, torneando la superficie externa de un cilindro o la pared interna de una caja redonda hueca). Según este enfoque, la superficie que se está torneando avanza por debajo del borde del cincel como una correa sin fin.
- El segundo enfoque es hacia el diámetro de la pieza de trabajo (como cuando se torneaba la cara de un torneado de placa frontal o el lado de un resalto grande en un torneado de husillo). En este enfoque, la superficie que se está torneando rota como un disco debajo del borde del cincel.
- Algunas veces el enfoque óptimo será una combinación de ambos métodos.

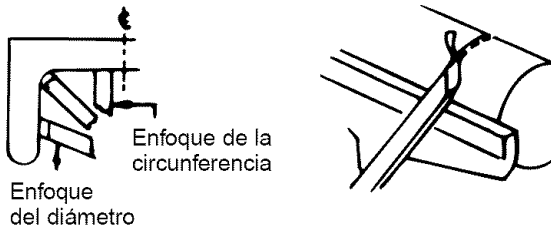


Figura 24

Cuando el enfoque es hacia la circunferencia, se puede utilizar ya sea un movimiento de corte o uno de raspado – se remueven las virutas como pelando una papa. El raspado sólo se puede usar cuando el enfoque es hacia un diámetro. La razón es obvia cuando se considera que el torneado de placa frontal prácticamente siempre exige que se remueva la madera transversalmente contra la veta. La madera no se pela con facilidad transversalmente en contra de la veta y si se trata de usar cualquier método de corte inadecuado, probablemente se dañará la pieza de trabajo. También existe el peligro de que la herramienta se le salga de las manos al operador.

En general, la acción de corte se usa para la mayoría de las operaciones de torneado de husillo y el torneado de placa frontal normalmente se logra por medio del método de raspado. Cuando se va a usar un método de combinación, el operador tendrá que usar su criterio, considerando cómo siente el trabajo, cuándo tiene que detener el corte y comenzar a raspar. **Nunca** trate de cortar cuando se hace difícil sujetar el cincel en contra de las asperezas de la veta de la madera.

### Cómo colocar el soporte de la herramienta para corte de circunferencia

Cuando se corta, el objetivo es perforar la corteza externa de la madera hasta la profundidad deseada y luego sujetar el cincel firmemente cuando el borde biselado está paralelo con la circunferencia del trabajo, de modo que pele una viruta a la profundidad deseada.

- El único método seguro de sujetar el cincel firmemente es hacer descansar el bisel contra el trabajo (Figura 25A). Cuando la herramienta descansa a la altura deseada, el cincel se puede sujetar con el bisel presionado contra el trabajo y el soporte de la herramienta funciona como un fulcro para soportar el cincel contra la fuerza descendente del trabajo que gira.
- Si el soporte está colocado muy bajo, de modo que el cincel está sujeto con el bisel fuera del trabajo (Figura 25B), el borde cortante continuará cincelando cada vez con más profundidad en el trabajo. Cincelará hasta que la "mordida" sea tan profunda que sus manos tendrán dificultad de sujetar el cincel – luego un cincel que no está apoyado correctamente comenzará a rebotar o a tintinear contra la pieza de trabajo.

- Si el soporte se coloca demasiado bajo, el cincel se tiene que mantener en una posición demasiado alta para colocar el bisel contra el trabajo (Figura 25C). Luego el soporte pierde la mayor parte de su valor como fulcro y la fuerza descendente de la pieza de trabajo que gira tiende a pegarle al cincel y a sacarlo de sus manos.
- Si el soporte se coloca muy alto (Figura 25D) y el cincel está colocado correctamente para cortar, le pega a la pieza de trabajo cerca de la parte superior cuando la dirección de la fuerza aplicada por la pieza de trabajo es casi horizontal – y se producirá nuevamente un contragolpe.
- Si el soporte está colocado demasiado afuera de la superficie de trabajo (Figura 25E), luego, cuando se sujeta correctamente, el cincel queda demasiado alto en el trabajo. También, usted tiene menos apalancamiento en su lado del soporte de la herramienta y es todavía más difícil sujetar el cincel. En el trabajo de un diámetro muy grande (Figura 25F), el soporte de la herramienta puede quedar sobre la línea del centro de la pieza de trabajo y algo afuera de la superficie de trabajo. En el caso del trabajo de diámetro pequeño (Figura 25G), el soporte tiene que estar más cerca de la superficie de trabajo. A medida que el trabajo se achica, el soporte se tiene que volver a colocar.

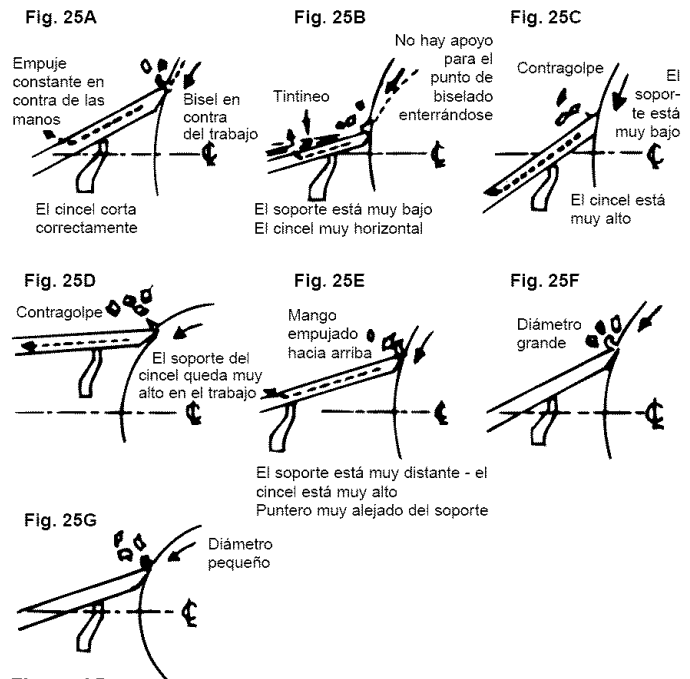


Figura 25

### Cómo colocar el soporte de la herramienta para raspado de circunferencia

En las operaciones de raspado, la posición del soporte de la herramienta no tiene una importancia tan crítica como en las operaciones de corte.

- El cincel generalmente se mantiene horizontal, a pesar de que se puede sujetar en un ángulo para alcanzar lugares estrechos. Si se considera que el borde del alambre del cincel hace el raspado, las Figuras 26B y 26C muestran cuando el soporte queda muy alto o muy bajo.
- La Figura 26A muestra la acción del cincel con el soporte colocado correctamente (Vea la página 37).

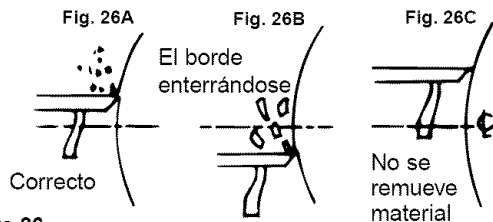


Figura 26

### Cómo colocar el cincel y el soporte para el raspado de diámetro

Cuando se raspa en el diámetro, esa parte de superficie a la derecha del centro se mueve hacia arriba (Figura 27A). Si se coloca un cincel en esta área, simplemente se va a mover hacia arriba, fuera del soporte y se le va a salir de las manos.

- Todas las operaciones con el enfoque del diámetro tienen que hacerse a la izquierda del centro.

En la Figura 27B se muestran tres puntos distintos de contacto del cincel. Es necesario señalar que cuando un cincel está sobre (o debajo) del centro de la pieza de trabajo, la superficie de trabajo se extiende más allá del borde del cincel en un ángulo y tiende a mover el cincel en una dirección o en la otra, a través del soporte.

- Solamente cuando el cincel entra en contacto con el trabajo en la línea del centro, la superficie de trabajo pasa directamente debajo del borde del cincel. Esta, por lo tanto, es la posición más fácil para sujetar el cincel firmemente. Para lograr esta posición, coloque el soporte aproximadamente a 3,2 mm (espesor del cincel) debajo del centro.

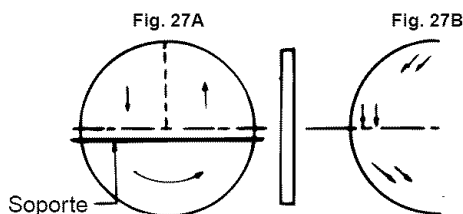


Figura 27

### COMO SE USA LA HERRAMIENTA DE GUBIA

En general, se necesitan tres herramientas de gubia; las de tamaño de 1/4", 1/2" y 3/4", para tornearse en un taller casero. Los demás tamaños de 1/8" a 2" se pueden comprar si se desea mayor flexibilidad.

Las herramientas de gubia se utilizan principalmente a modo de hacer cortes de circunferencia reductores de la materia prima para llegar a un cilindro de un tamaño que se pueda trabajar. Es mejor utilizar esta herramienta para cortar rápidamente las áreas grandes de la pieza de trabajo. Cuando la herramienta se usa de esta manera, no produce una superficie lisa. Con práctica, la herramienta de gubia se puede usar para cortar concavidades y formar cortes largos.

- Cuando se usa para cortar, la herramienta de gubia siempre se sujeta con el lado convexo hacia abajo. Es necesario rodar aproximadamente de 30° a 45° en la dirección hacia la que se está avanzando a través del soporte, y el borde cortador tiene que ir un poco más adelante del mango.

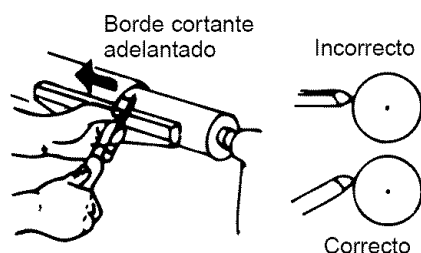


Figura 28

### COMO SE USA UNA HERRAMIENTA DE FILO SESGADO

- Sólo se necesitan dos tamaños de herramientas de filo sesgado, de 1/2" y 1" para uso general. Hay otros tamaños disponibles.

Esta herramienta se usa casi siempre para hacer cortes de acabado, para cortar en V y rebordes, y para cuadrar los resaltes. Cuando se utiliza correctamente, produce el mejor acabado que se puede lograr con un cincel. No se recomienda para raspado porque el borde tiende a desafilarse con más rapidez.

- En el caso del corte de acabado, la herramienta de filo sesgado se sujeta con el borde cortador considerablemente más adelante del mango, con el lado del bisel hacia abajo. Mantenga la base del bisel en contra del trabajo. Es una buena costumbre colocar la herramienta de filo sesgado muy por sobre el trabajo, tirarla hacia atrás hasta que el borde comience a cortar, y luego oscilar el mango a su posición para hacer avanzar el corte.

Tanto el frente como el talón de la herramienta de filo sesgado se pueden emplear para hacer cortes leves, pero no penetran muy profundamente en la madera sin cortar espacios libres. Existe el peligro de quemar la punta de la herramienta.

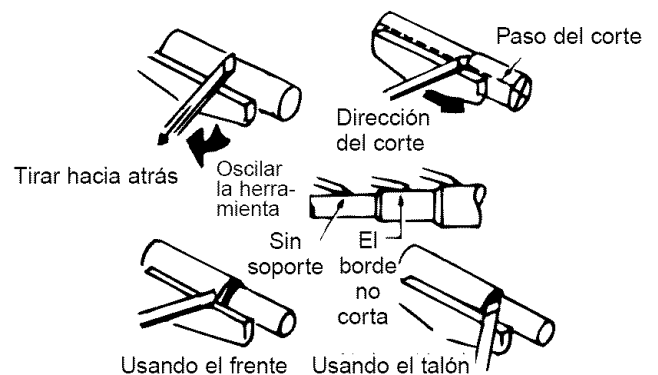


Figura 29

### COMO SE USA LA HERRAMIENTA DE TROCEAR

La herramienta de trocear tiene sólo un fin principal: cortar la pieza de trabajo tan profundamente como se desee, o completamente a través para hacer un corte separador. Por lo tanto, es una herramienta muy angosta (1/8" de ancho) y tiene la forma como para cortar su propio espacio libre de modo que el borde no se quema. Cuando se usa para raspar, sin embargo, la herramienta de trocear se tiene que retroceder regularmente para evitar el sobrecalentamiento.

A diferencia de la herramienta de gubia y la de filo sesgado, la herramienta de trocear rara vez se sujeta con el bisel en contra del trabajo. Dado que la cantidad de material que se tiene que remover es pequeña, no es necesario tener un soporte para el bisel.

La herramienta sencillamente se introduce dentro del trabajo a un ángulo (para cortar), o se señala hacia el centro de la pieza de trabajo (para raspar). Se puede sujetar fácilmente con una mano.

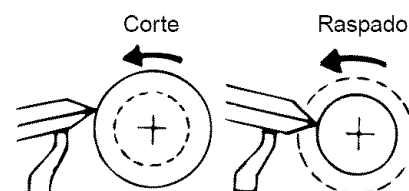


Figura 30

### COMO SE USAN LOS CINCELES DE RASPAR

- Un cincel de punta de lanza de 1/2" de ancho, uno de punta redonda de 1/2" de ancho y uno de punta plana de 1" de ancho, forman la lista de herramientas que normalmente usan los aficionados y los artesanos.

Cada uno de los cincelos de raspar se puede comprar en diversos tamaños para fines especiales. Todos son muy útiles para las operaciones de raspado de diámetro y de circunferencia cuando los métodos de corte no se pueden emplear.

- La punta de lanza se utiliza para raspar y para operaciones delicadas tales como la formación de rebordes, las ranuras paralelas y las V de poca profundidad.
- Los contornos de los recipientes y los bordes se pueden redondear con el cincel de punta redonda.
- Toda superficie plana se puede raspar con un cincel de punta plana.



Figura 31

### COMO SE USAN LAS CUCHILLAS CONFORMADORAS O DE MOLDEO

- Se puede usar un cincel viejo a modo de sujetador de cuchillas conformadoras o de moldeo.

Dichas cuchillas hacen posible raspar muchas formas interesantes en la superficie de la pieza de trabajo usando una o dos operaciones en vez de las muchas operaciones que son necesarias con los cincelos estándar. En general, no es práctico usar los métodos de corte con herramientas de formas especiales. En su lugar se deben usar los métodos de raspado.

- El sujetador debe proporcionar un resalto contra el cual se pueda asentar firmemente el tope de la cuchilla. La cuchilla debe estar montada en forma segura, ya sea por medio de un tornillo atornillado en el sujetador, o comprimiéndolo entre las dos lengüetas apernadas entre sí.

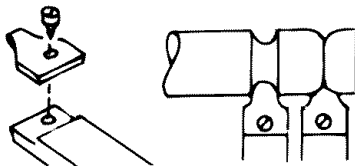


Figura 32

### COMO SE USA EL CEPILLADO METALICO

Se pueden lograr acabados lisos vidriados transparentes (especialmente en las maderas blandas) si se usa un conjunto de cepillado metálico para recoger virutas finas.

- El soporte de la herramienta debe estar elevado aproximadamente hasta la parte superior de la pieza de trabajo – y el cepillo debe quedar horizontal, pero un poco girado en la dirección del recorrido de modo que haga un cizallamiento.
- Se pueden usar dos soportes de la herramienta, uno en la parte delantera y otro en la parte trasera del trabajo, para la colocación del cepillo de modo que se limite exactamente la profundidad del corte (y el tamaño acabado de la pieza de trabajo).

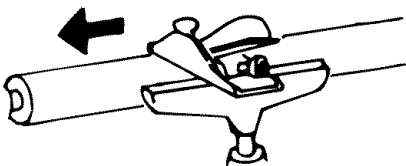


Figura 33

### COMO SE USAN LAS RASPAS DE MADERA Y LAS LIMAS

- Una raspa de madera remueve material rápidamente cuando está sujeta contra la pieza de trabajo giratoria. Se debe tener cuidado de apoyar la raspa firmemente contra el soporte de la herramienta. Si la raspa se sujeta incorrectamente cuando se usa en superficies ásperas, puede producir contragolpes y lesiones al operador.
- La raspa dejará un acabado muy áspero.
- Los acabados más finos (parecidos a los que se producen con el raspado) se pueden lograr usando una lima de la misma manera. Hay distintos tipos de limas que se pueden utilizar para formas en V, rebordes, concavidades, etc. Algunas limas que se presionan muy fuertemente sobre la madera pueden quemar la pieza de trabajo.
- Mantenga la lima limpia para que produzca un corte uniforme. Las limas trabajan mejor en maderas duras.

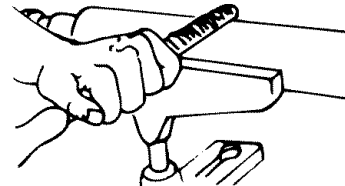


Figura 34 - Usan la Raspa

### POSICIONES DE LAS MANOS

Cuando use cualquiera de los cincelos, las manos tienen que agarrar el mango de la herramienta de forma natural. La posición puede ser cerca del medio del mango o hacia el extremo, dependiendo de la cantidad de palanca necesaria. La posición de la mano cerca del soporte de la herramienta es un asunto de preferencia personal, pero hay tres posiciones generalmente aceptadas, cada una es mejor para cierto tipo de operaciones.

### Reducciones

El trabajo de reducción y otros trabajos pesados exigen que el cincel se agarre firmemente y tenga una posición sólida contra el soporte. Esto se logra mejor si la mano del soporte de la herramienta se coloca según se muestra. La muñeca tiene que quedar hacia abajo de modo que el talón de la mano debajo del dedo chico actúe como una guía de deslizamiento en contra del soporte. El mango controla la posición del cincel.

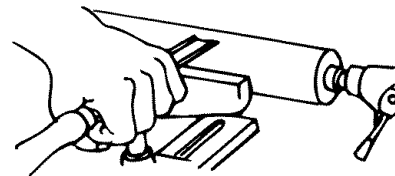


Figura 35 - Reducciones

### Corte de acabado

El corte de acabado exige más control – con menos fuerza. El corte de acabado se hace mejor con la palma de la mano del soporte de la herramienta mirando hacia arriba. La muñeca todavía queda abajo, y el lado del dedo índice sirve de guía a lo largo del soporte. En esta posición, el control del cincel se comparte entre ambas manos. Los dedos de la mano del soporte de la herramienta quedan libres para ayudar en la colocación de la herramienta.

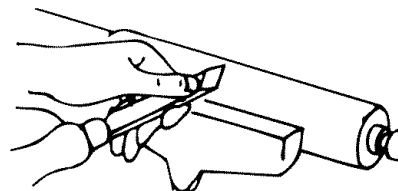


Figura 36 - Corte de acabado

### Corte intrincado

El corte intrincado y delicado exige un control extremo con prácticamente nada de fuerza. Esto se logra mejor guiando el cincel con los dedos de la mano del soporte de la herramienta. La mano se sujeta con la palma hacia arriba y la muñeca en alto. El dedo chico se coloca contra el soporte para afirmar la mano. El cincel no toca el soporte y la mano del mango es completamente secundaria comparado con la mano de soporte de la herramienta.

**AVISO:** La primera y la segunda posición son igualmente buenas para las operaciones de raspado pero la tercera posición prácticamente nunca se emplea para raspar.

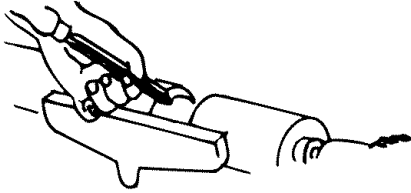


Figura 37

### Corte a profundidad

Muchas de las operaciones de raspado y de corte a profundidad con la herramienta de trocear se pueden lograr fácilmente con una mano. El cincel se agarra firmemente con el dedo índice en la parte superior para presionarlo hacia abajo contra el soporte. Se empuja directo contra el trabajo. Si se sujeta la herramienta de esta forma, la otra mano queda libre para sujetar un patrón o los calibradores, etc., para revisar el progreso del trabajo.

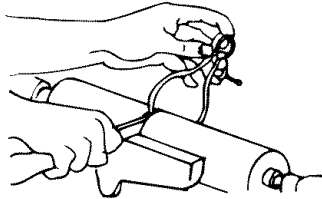


Figura 38

## COMO SE HACEN CORTES ESTANDAR

### CORTE DE REDUCCION

Reducir una pieza de trabajo cuadrada o de forma irregular a fin de hacer un cilindro aproximadamente del tamaño para un torneado de acabado se llama "reducción". Los torneados de placa frontal y de husillos de diámetro grande, primero se deben reducir parcialmente con una sierra, pero los husillos pequeños se pueden tornearse fácilmente y completamente con una herramienta de gubia grande ( $\frac{3}{4}$ ").

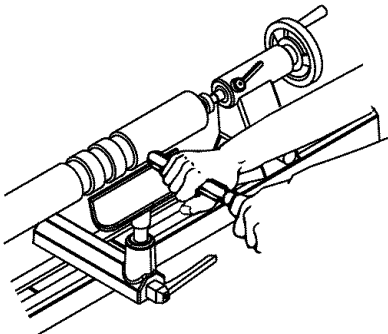
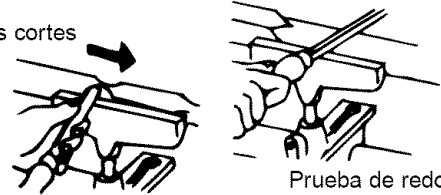


Figura 39

- Empiece el primer corte a alrededor de 5,1 cm del extremo del cabezal móvil – luego muévalo hacia el cabezal móvil y después fuera del extremo de la pieza de trabajo.
- Entonces, comience otro corte a 5,1 cm más cerca del cabezal fijo – y muévalo hacia atrás en dirección al cabezal fijo, para que se fusione con el primer corte.

- Continúe cortando de esta manera hasta que queden de 5,1 a 10,2 cm del cabezal fijo sin cortar. Invierta la dirección del recorrido de la herramienta y haga uno o dos cortes en sucesión hacia el cabezal fijo y fuera de este extremo de la pieza de trabajo.
- Nunca empiece un corte directamente en el extremo – si el cincel agarra el extremo, dañará la pieza de trabajo.
- Nunca haga cortes largos cuando las esquinas están en el trabajo pues esto tiende a desgarrar pedazos grandes de las esquinas.
- Los primeros cortes no deben ser muy profundos. Es mejor reducir parcialmente el trabajo hasta llegar al cilindro a través de su largo. Luego, empiece una segunda serie de cortes para completar la reducción hasta llegar al cilindro.
- Una vez que se ha formado un cilindro, ponga el torno en la próxima velocidad más rápida. Ahora se pueden lograr más reducciones en el tamaño cortando a la profundidad que se desee en cualquier punto a lo largo del trabajo. En esta etapa, se pueden hacer cortes largos desde el centro a cualquiera de los extremos.
- En general, la reducción se continúa hasta que el cilindro sea aproximadamente 3,2 mm más grande que el tamaño acabado deseado.
- La redondez se puede probar colocando una herramienta de gubia en la parte superior del trabajo – no se montará hacia arriba ni hacia abajo cuando el cilindro es perfectamente redondo.

Primeros cortes



Prueba de redondez

Figura 40

## COMO HACER CORTES REDUCTORES PARA OBTENER EL TAMAÑO DESEADO

El corte reductor se puede hacer para cortar el cilindro de manera precisa con un diámetro dado.

Otro método es hacer una serie de cortes para llegar al tamaño a intervalos a lo largo del trabajo, luego se usa una herramienta de gubia para reducir todo el cilindro hasta obtener el diámetro indicado por estos cortes.

## COMO HACER CORTES PARA OBTENER EL TAMAÑO DESEADO

Los cortes para obtener el tamaño deseado son útiles a modo de establecer aproximadamente los diámetros del tamaño acabado en diversos puntos a lo largo de la pieza de trabajo. El trabajo luego se puede tornearse para llegar a los diámetros indicados y quedar listo para el acabado.

- Los diámetros de los cortes deben ser 3,2 mm más grandes que los diámetros de acabado deseado. Los cortes para obtener el tamaño deseado se hacen con una herramienta de trocear.
- Sujete la herramienta con una mano y use la otra para sujetar el calibre exterior preajustado al diámetro del tamaño de corte deseado.

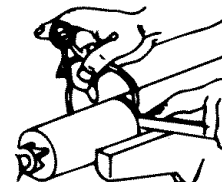


Figura 41

- A medida que se completa el corte, baje el puntero del cincel más y más a la posición de raspado.
- Cuando los calibradores se deslizan sobre la pieza de trabajo en la parte inferior de la ranura, quiere decir que el corte ha terminado.

### COMO ALISAR EL CILINDRO

Los últimos 3,2 mm se pueden remover de dos maneras. Utilice la herramienta de filo sesgado de 1", trabajando desde el centro hacia ambos extremos y haciendo cortes cada vez más leves hasta finalizar la operación, o emplee el cepillado metálico tal como se ilustra en la Figura 29, página 34.

### COMO CORTAR UN RESALTO

Un resalto puede ser el lado de una parte cuadrada dejada en la pieza de trabajo, el lado de una parte torneada, o el extremo de la pieza de trabajo. La mayoría de los resaltos son perpendiculares con respecto al eje del trabajo, pero el resalto puede quedar a cualquier ángulo.

- Primero, marque la posición del resalto con un lápiz sujeto contra la pieza de trabajo que gira.
- Segundo, haga un corte para obtener el tamaño deseado con una herramienta de trocear, haciendo este corte alrededor de 1,6 mm fuera de la posición del resalto y cortando hasta dentro de alrededor de 3,2 mm de la profundidad deseada para el área fuera del resalto.
- Si el resalto tiene poca profundidad, el frente de la herramienta de filo sesgado se puede usar para hacer el corte a fin de lograr el tamaño deseado. No lo haga más profundo de 3,2 mm con la herramienta de filo sesgado a menos que se corten en V cada vez más anchas a modo de proporcionar un espacio libre para esta herramienta.

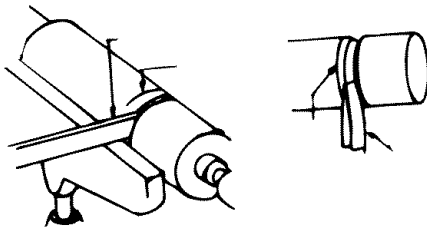


Figura 42

- Use una herramienta de gubia para remover todo el material de desperdicio fuera del resalto. Alise esta sección, hasta dentro de 3,2 mm de resalto en la manera normal. El acabado del resalto a menos que tenga más de 2,5 cm de alto, se hace mejor con una herramienta de filo sesgado de 1/2".
- El frente de la herramienta de filo sesgado se usa para remover las virutas del lado del resalto – hasta el tamaño acabado.
- Sujete la herramienta de filo sesgado de modo que el borde inferior del bisel próximo al resalto quede casi paralelo al lado del resalto – pero con el borde cortante alejado en la parte superior de modo que sólo el frente extremo cortará. Si el borde cortante está plano contra el resalto, el cincel funcionará.
- Empiece con el mango abajo, y elévelo para avanzar el frente dentro del trabajo.
- Corte hasta llegar al diámetro final del área externa. Luego, limpie la esquina avanzando el talón de la herramienta de filo sesgado en ésta a lo largo de la superficie del área externa.
- Inclíne el borde cortante con el mango elevado de modo que sólo el extremo del talón haga este corte.

- Si el resalto está al fin del trabajo, el proceso se llama cuadratura del extremo. En este caso, reduzca la parte externa hasta un diámetro de alrededor de 6 mm más grande que el diámetro de la punta de la herramienta. Luego, serruche el material de desperdicio.

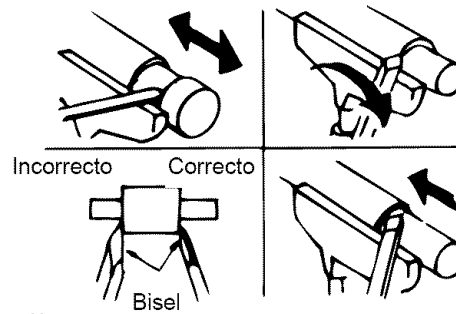


Figura 43

### COMO SE CORTA EN V

Las ranuras en V se pueden cortar ya sea con el frente o el talón de una herramienta de filo sesgado.

- Cuando se usa el frente, la acción de corte es exactamente la misma que cuando se corta un resalto excepto que la herramienta de filo sesgado queda inclinada para cortar al nivel requerido. Se tienen que hacer cortes leves primero en un lado y luego en el otro, gradualmente, agrandando la V hasta llegar a la profundidad y ancho requeridos.
- Cuando se usa el talón, la herramienta de filo sesgado se rota hacia abajo dentro del trabajo, usando el soporte como pivote. De lo contrario, la posición de corte y la secuencia de los cortes es la misma. Al igual que cuando se usa el frente, es importante que el corte se haga sólo con el extremo del borde cortante.
- Si se planea hacer cortes profundos en V, es más rápido comenzarlos haciendo el tipo de corte para obtener el tamaño deseado en el centro de cada V.
- Los cortes en V también se pueden hacer raspando con el cincel de punta de lanza o con una lima de tres lados.

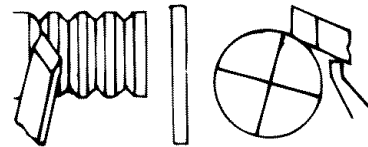


Figura 44

### COMO SE CORTAN LOS REBORDES

Esta operación exige mucha práctica.

- Primero, haga una línea con lápiz para ubicar las partes superiores (los puntos más altos) de dos o más rebordes adyacentes.
- Luego, haga una ranura en V exactamente en el centro entre dos líneas y hacia abajo a la profundidad deseada de la separación entre los rebordes. Tenga cuidado de no hacer una ranura demasiado ancha pues se pueden remover partes de los rebordes deseados. Los lados de los dos rebordes adyacentes ahora se cortan con el talón de la herramienta de filo sesgado. Use una de 1/2" a menos que los rebordes sean muy grandes.
- Coloque la herramienta de filo sesgado en ángulo recto con respecto al eje del trabajo, plana contra la superficie y bastante próxima a la parte superior. El talón extremo tiene que quedar justo dentro de la línea de lápiz que marca la parte superior del reborde.
- Ahora mueva la herramienta de filo sesgado recto hacia atrás al mismo tiempo que eleva el mango lentamente – hasta que el borde del talón en la línea de lápiz se empieza a cortar.



- A medida que el borde se empieza a cortar, rueda la herramienta de filo sesgado en la dirección de la V de modo que la parte exacta del borde que empezó a cortar avance en un arco de 90° hacia abajo, en dirección a la parte inferior de la V.
- Una vez que se llega a la parte inferior de la V, la herramienta de filo sesgado debe estar en el borde.
- Invierta los movimientos para cortar el lado del reborde adyacente.

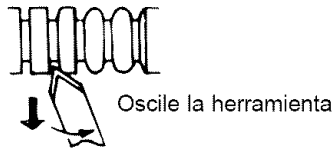


Figura 45 - Cómo se cortan los rebordes

Es importante que sólo el talón extremo haga el corte. Esto quiere decir que el borde inferior del bisel próximo a la V debe quedar tangente en todo momento con el arco del reborde que se está haciendo.

Los rebordes más fáciles se pueden formar con un cincel de punta de lanza.

- Use las marcas de lápiz y los cortes para obtener el tamaño deseado como antes.
- Empuje el cincel recto dentro de cada corte y rótelos horizontalmente para redondear los bordes adyacentes. Se tiene que mover un poco en la dirección de rotación al mismo tiempo que se evita que el puntero se introduzca en el reborde adyacente.

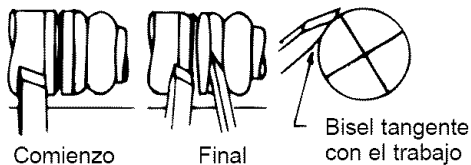


Figura 46

### COMO SE CORTAN LAS CONCAVIDADES (FORMAS CONCAVAS)

Este es el corte más difícil de dominar – pero uno de los más importantes para hacer un buen trabajo de torneado.

- Primero, use un lápiz para indicar los bordes.
- Luego, reduzca el tamaño para la concavidad, hasta alrededor de 3,2 mm de la superficie acabada deseada, raspando con la herramienta de gubia o con el cincel de punta redonda. Si la concavidad va a ser muy ancha, se pueden hacer cortes a fin de obtener el tamaño deseado para diseñar la reducción. Una vez que se ha reducido, la concavidad se puede terminar con dos cortes, uno de cada lado hasta el centro inferior.
- Al comienzo de cada corte, la herramienta de gubia se sujeta con el mango alto y los dos lados de la cuchilla se sujetan entre el dedo pulgar y el dedo índice de la mano del soporte de la herramienta, justo detrás del bisel.
- Coloque los dedos de modo que estén listos para rodar la cuchilla dentro de la concavidad.
- Sujete las cuchillas de modo que el bisel quede en un ángulo de 90° con respecto al eje de trabajo, con el puntero tocando la línea de lápiz y señalando hacia el eje de trabajo.
- Desde este comienzo, presione el puntero un poco para empezar a cortar, luego continúe moviendo el puntero hacia abajo en un arco hacia la concavidad del centro inferior – al mismo tiempo rueda el cincel uniformemente de modo que al final del corte, quede plano en la parte inferior de la concavidad. El propósito es mantener el puntero extremo de la herra-

menta de gubia haciendo el corte desde el comienzo hasta el final. Invierta estos movimientos para hacer cortes en el lado opuesto.

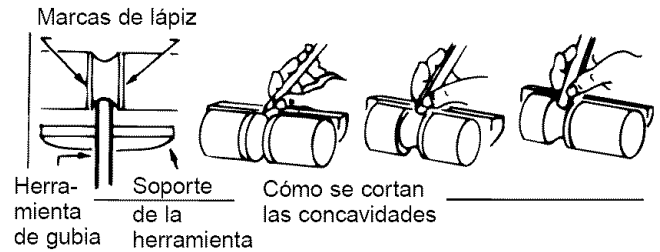


Figura 47

Las concavidades también se pueden raspar para acabarse, usando un cincel de punta redonda o una lima de cola de rata. Estos métodos en general no producen concavidades perfectamente curvas.

### COMO SE HACEN LOS CORTES CONVEXOS LARGOS

- Primero, torne el trabajo hasta que llegue al tamaño aproximado, y haga los cortes necesarios para obtener el tamaño deseado (según sea necesario) para determinar los diversos diámetros. Luego se pueden hacer los cortes de acabado ya sea con una herramienta de gubia o una de filo sesgado.
- Si se usa una herramienta de filo sesgado, los principios de la operación son los mismos que se usan en el corte de un reborde – excepto que la curva es más larga y puede ser irregular. Use el talón extremo por todas partes – empiece en el extremo más largo de la curva (si la curva es irregular) y continúe hacia el extremo más inclinado.
- Si se usa una herramienta de gubia, haga los cortes en la misma dirección. Empiece con el mango muy en la parte de atrás del puntero – oscile el mango en la dirección del recorrido de la herramienta hasta pasar el puntero, si es necesario, cuando se llegue a la parte inclinada de la curva. El fin es que el puntero extremo haga el corte en toda su extensión con el bisel tan tangente con la curva como sea posible.



Figura 48 - Cincel inclinado en la dirección del corte

### COMO SE HACEN LOS CORTES AHUSADOS LARGOS

Los cortes ahusados largos se hacen como los convexos largos, con una herramienta de gubia o una de filo sesgado. Sin embargo, el ángulo entre el borde cortante y el mango se mantiene constante durante todo el corte. El mango no se oscila.

- Siempre corte inclinado. No haga un corte profundo en el centro del ahusamiento.

### TORNEADOS DE HUSILLO

#### COMO SE TRAZA LA FORMA

Una vez que se han dominado los cortes básicos, está listo para torneer trabajo acabado.

- El primer paso es hacer un plan para el torneado propuesto. Esto se puede hacer en una hoja de papel adecuada. El arreglo tiene que ser de tamaño completo.
- Luego, prepare el material que se va a torneer cuadrándolo hasta el tamaño del cuadrado más grande o de la sección redonda más grande en su plan. El material se puede cortar del largo exacto del torneado propuesto. Sin embargo, en la mayoría de los casos, es mejor dejar el material un poco más largo en uno o en ambos extremos para permitir el recorte.

- Monte el material en el torno y redúzcalo a un tamaño para el cilindro de tamaño máximo.
- Ahora, proyecte su plan de torneado con lápiz haciendo varias marcas de las dimensiones críticas a través del husillo. Estas dimensiones se pueden tender con una regla ordinaria o usando una plantilla. Haga las marcas de lápiz alrededor de 1,3 cm de longitud de modo que queden visibles cuando el trabajo dé vueltas mecánicamente. Las líneas se pueden hacer rápidamente alrededor del husillo tocando cada línea con el lápiz.

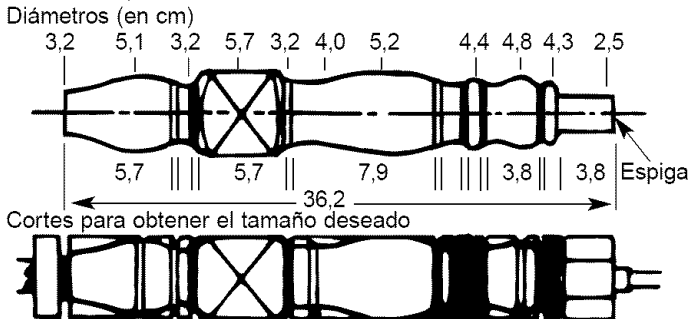


Figura 49

- Después de marcar, use la herramienta de trocear para hacer los cortes y obtener el tamaño deseado en todos los resaltos importantes. Cuando esté aprendiendo, notará que es mejor hacer los cortes para el tamaño de modo que los diversos diámetros se puedan trazar precisamente. Las personas experimentadas que trabajan con madera pueden hacerlo con menos cortes en los resaltos importantes.
- Planee cada corte de modo que quede en el material de desperdicio, y haga cada corte bastante profundo de modo que quede sólo suficiente madera debajo del corte para el proceso de acabado.
- Una vez que se hayan completado los cortes para obtener el tamaño deseado, reduzca el exceso de madera con una herramienta de gubia. Luego, continúe con el proceso de acabado haciendo los diversos tipos de cortes necesarios.

#### VELOCIDADES RECOMENDADAS

Siempre utilice la velocidad recomendada para tornear husillos, según el tamaño y largo de la pieza de trabajo.

CUADRADO	LARGO	RPM PARA DESBASTAR	RPM PARA ACABAR
2,54-5,08 cm	2,54-30,48 cm	1300	2000
2,54-5,08 cm	hasta 60,96 cm	1100	2000
2,54-5,08 cm	hasta 96,52 cm	1000	2000
5,08-10,16 cm	2,54-30,48 cm	1000	1800
5,08-10,16 cm	hasta 60,96 cm	900	1600
5,08-10,16 cm	hasta 96,52 cm	700	1400
10,16 cm o más	2,54-30,48 cm	800	1400
10,16 cm o más	hasta 60,96 cm	600	1100
10,16 cm o más	hasta 96,5 cm	400	800

#### TORNEADOS DUPLICADOS

Los torneados idénticos exigen una gran precisión cuando se traza el trabajo y cuando se hacen los diversos cortes. Se han inventado muchos métodos para ayudar a perfeccionar el trabajo.

#### Uso de patrones

Los trabajadores profesionales en general usan un tablero para el patrón o para el arreglo. Este es un pedazo de madera o de cartón delgado en donde se dibuja media sección a tamaño completo del torneado. El contorno de la superficie acabada se dibuja primero. Luego, los diámetros de los distintos puntos críticos se dibujan a escala como líneas verticales que intersectan la línea de contorno.

- Al colocar el patrón contra el cilindro reducido, puede rápidamente marcar los varios puntos de los diámetros críticos.
- A fin de hacer cada corte para obtener el tamaño deseado, use calibradores externos y ajústelos midiendo la longitud de las líneas verticales en el patrón que representan el diámetro deseado. Haga que el corte llegue hasta el diámetro correcto usando los calibradores para determinar cuando el corte haya finalizado.
- Después de hacer los cortes para obtener el tamaño deseado, cuelgue el patrón detrás del torno donde servirá como guía para terminar la pieza de trabajo.

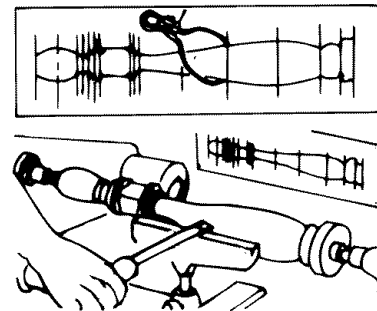


Figura 50

#### Uso de plantillas y de un tablero de diámetro

Cuando se tienen que producir muchos torneados idénticos, es conveniente tener una plantilla preparada. Esta puede ser de madera o cartón delgado. Se corta con una sierra de banda o una sierra de arco para lograr el contorno exacto o el torneado acabado. El torneado acabado número uno también se puede usar como plantilla. Adjunte la plantilla a un tablero y luego móntelo detrás del torno en bisagras de modo que se pueda mover hacia abajo hasta tocar la pieza de trabajo y permitir que pueda observar de cerca el progreso del trabajo.

Si se están produciendo muchos torneados, un tablero con el diámetro ahorrará el tiempo que toma reajustar los calibradores. Este es simplemente un tablero delgado a lo largo del borde en donde se han preparado una serie de cortes semicirculares para representar los diversos ajustes del calibrador requeridos para medir los cortes a fin de obtener el tamaño deseado. Cada corte semicircular se sujeta contra la pieza de trabajo en vez de usar los calibradores.

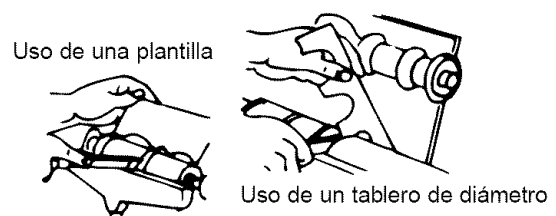


Figura 51

#### HUSILLOS LARGOS

Los torneados largos se pueden trabajar en secciones cortas, y las juntas se pueden acomodar de forma que queden en los resaltos donde no se vayan a notar.

- Los trabajos largos y delgados que probablemente van a actuar como látigos cuando se están torneando tienen que estar soportados en uno o dos lugares con un palo trasero. Esto se puede hacer fácilmente. Un palo trasero sencillo consiste de un pedazo de madera corto montado verticalmente en un soporte de herramienta extra y muescado de modo que se pueda usar para soportar el husillo desde atrás. También se muestra el tipo mejorado, que usa dos ruedas de patines para formar la muesca.
- Coloque el palo trasero contra la parte pretorneada cerca del centro del husillo, esta parte tiene por lo menos 3,2 mm más que el tamaño acabado para permitir que más tarde se puedan remover todas las marcas que hayan quedado.

- Opere el torno a una velocidad más lenta que la normal. Lubrique la pieza de trabajo en el punto de contacto con el palo trasero. Use cera de abejas (preferiblemente), manteca o grasa.
- Después de completar el torneado, remueva el palo trasero y termine el punto de contacto original. Lije todas las quemaduras que queden en la pieza de trabajo.

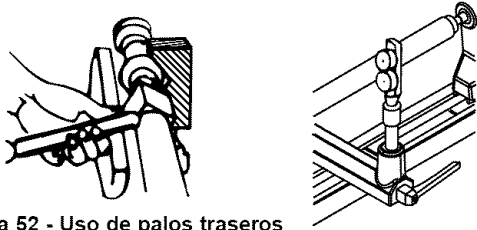


Figura 52 - Uso de palos traseros

### COMO SE CORTAN LAS ESPIGAS

Se pueden torneare espigas de cualquier tamaño rápidamente con la simple guía que se muestra. Si el material está preparado para un torneado partido o por cuartos, se producirán medio redondo o cuarto redondo.

La guía usa una herramienta de gubia de  $\frac{1}{2}$ " como herramienta de corte y producirá espigas de hasta 11 mm de diámetro. Haga una guía con madera dura adecuada, tal como se muestra.

- El agujero a través de la guía tiene que ser lo suficientemente grande en el lado a la izquierda de la herramienta de gubia para permitir el paso del material cuadrado. Al lado derecho de la herramienta de gubia este agujero debe tener justo el diámetro de la espiga acabada. Haga la guía de modo que pueda sujetarla y guiarla con la mano.
- Para empezar, centre el material como en un torneado de husillo y torne hacia abajo alrededor de 5,1 cm en el extremo derecho hasta llegar al tamaño deseado.
- Luego, remueva el material. Coloque la guía sobre el extremo torneado con la parte torneada a través del agujero más pequeño de la guía y vuelva a centrar el material en el torno.
- Sujete la guía firmemente y haga arrancar el torno.
- Empuje la guía lentamente de derecha a izquierda a través del material hasta que toda la espiga quede completa.

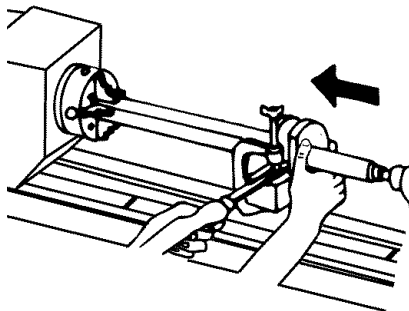


Figura 53

### OPERACIONES MISCELANEAS

#### BLOQUES DE GUIA PARA LAS OPERACIONES DE RASPADO

Se puede sujetar un bloque de guía a un cincel para limitar la profundidad del corte y ayudar en la producción de cilindros, ahusamientos y refrentados perfectos con torneados con placa frontal. Los métodos de raspado se deben usar cuando se emplea el bloque de guía.

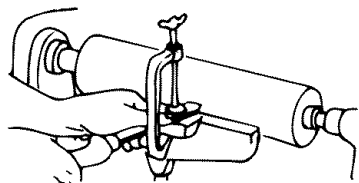


Figura 50

### TALADRADO

Hay varios métodos de usar el torno para taladrar agujeros del centro a través del material de madera. Cuando el taladro está montado correctamente, el centrado del agujero es automático.

- Un método es montar el taladro en el cabezal móvil. La pieza de trabajo está sujeta y da vuelta con el cabezal fijo. Si el taladro tiene un vástago con ahusamiento Morse, se puede montar directamente en alguno de los piones del cabezal móvil. De lo contrario, se puede montar en un portaherramienta calzado con un vástago del tipo correcto.
- Otro método de sujetar el taladro es montarlo en el cabezal fijo usando un portaherramienta de 4 mordazas (torno de metal) o con un portaherramienta Jacobs. Cuando se emplea este método, la pieza de trabajo no tiene un apoyo preciso de modo que es difícil taladrar los centros. Sin embargo, el taladrado transversal o el taladrado de agujeros al azar a través del material se puede lograr rápidamente de esta manera.

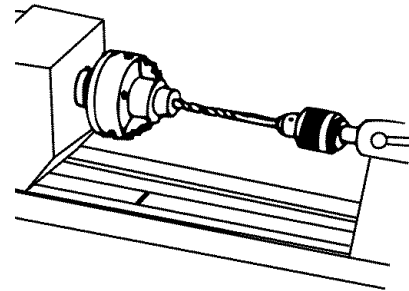


Figura 55

- En el caso del taladrado transversal en material de lado plano, use una base para taladrar (torno de metal) en el cabezal móvil y coloque una tabla de desperdicios entre la base y el trabajo. En el caso del taladrado transversal en material redondo, use un disco centrador con ranura (torno de metal) en el cabezal móvil. Las piezas de trabajo grandes se pueden ubicar en los bloques de soporte que se han colocado en la bancada del torno. Se pueden sujetar con las manos o se pueden soportar desde atrás con una base de taladro montada en el cabezal.

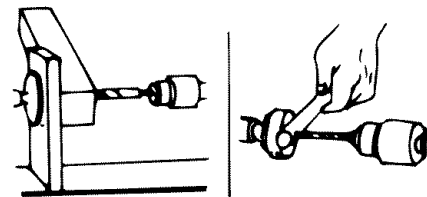


Figura 56 - Taladrado transversal

### TORNEADOS DE PLACA FRONTAL Y PORTAHERRAMIENTA

#### COMO PLANEAR EL TRABAJO

Primero disponga el arreglo de modo que haya un patrón visual que se pueda seguir cuando se está trabajando en el torneado. El patrón se puede arreglar de la misma manera que los patrones de husillo – o se pueden hacer plantillas que se pueden sujetar en contra del trabajo para hacer una comparación visual. Se pueden inscribir círculos rápidamente para ubicar los diversos puntos críticos (en los que el contorno de la placa frontal toma una forma distinguible) en el trabajo que rota, usando los divisores (Vea la Figura 57, página 44).

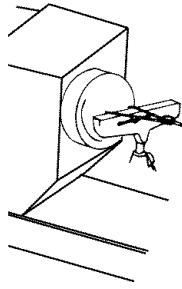


Figura 57

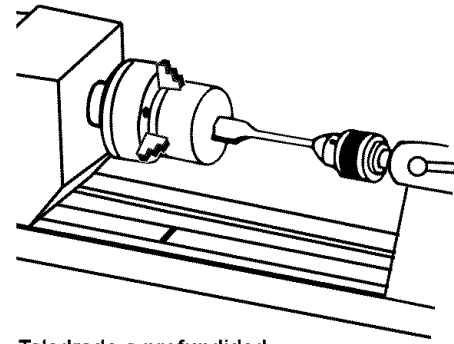


Figura 59 - Taladrado a profundidad

### COMO SE PLANEAN LOS DIVERSOS CORTES

La circunferencia del torneado de una placa frontal se reduce y se termina de la misma manera que se hace con el husillo. Prácticamente todo el resto de las operaciones, sin embargo, se hacen usando el método de raspado. Unos pocos de los contornos estándar que a menudo se tienen que tornerar se ilustran en el diagrama siguiente, que también muestra cuáles son los cincelos correctos para formar estos contornos. Toda reducción hasta la profundidad deseada generalmente se logra con una herramienta de gubia sujeta en la posición de raspado.

- Ahora, remueva la parte más grande del desperdicio (para reducir hasta llegar a la cavidad deseada) raspando con el cincel de punta redonda o con una herramienta de gubia. Remueva hasta llegar a 3,2 mm del tamaño acabado en esta forma. Termine la parte interna de la circunferencia raspando con el cincel de punta de lanza o con el de filo sesgado. Alise el fondo de la cavidad raspando hasta que quede plana con un cincel de punta plana.
- En todo momento los cincelos de raspado deben tener un soporte correcto. En las ilustraciones a continuación se muestran varias posiciones del soporte de la herramienta. Siempre trate de poner la parte del soporte que apoya la herramienta tan cerca como sea posible de la superficie de trabajo. La profundidad y la cuadratura de los lados de la cavidad se pueden revisar rápidamente sujetando uno de los cinceles de lado recto y la escuadra de combinación tal como se muestra.



Figura 58

### VELOCIDADES RECOMENDADAS

Siempre utilice la velocidad recomendada para tornerar con placa frontal y portaherramienta, según el tamaño y grosor de la pieza de trabajo.

CUADRADO	GROSOR	RPM PARA DESBASTAR	RPM PARA ACABAR
10,16-17,78 cm	hasta 5,08 cm	1300	2000
10,16-17,78 cm	5,08-10,16 cm	1200	2000
10,16-17,78 cm	10,16 cm o más	1000	2000
20,32-27,94 cm	hasta 5,08 cm	1000	1800
20,32-27,94 cm	5,08-10,16 cm	900	1700
20,32-27,94 cm	10,16 cm o más	700	1400
30,48-38,10 cm	hasta 5,08 cm	700	1200
30,48-38,10 cm	5,08-10,16 cm	550	1000
30,48-38,10 cm	10,16 cm o más	400	800

### CAVIDADES PROFUNDAS

- El primer paso es remover tanta madera como sea posible al taladrar en el centro con la broca de madera más grande disponible. Esto se puede lograr tal como se muestra más adelante en Figura 59. Tenga cuidado de medir la profundidad por adelantado a la que se va permitir que el taladro llegue.

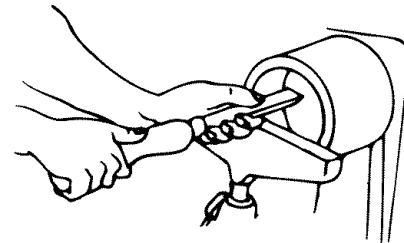


Figura 60

### TORNEADOS ELEGANTES DE PLACA FRONTAL

#### COMO PREPARAR UN PORTAHERRAMIENTA MACHO

El portaherramienta macho es un portaherramienta auxiliar de madera, montado en la placa frontal. Su diámetro puede ser de cualquier tamaño pero, por razones de estabilidad, su espesor debe ser aproximadamente 3,8 cm. El portaherramienta de madera viene con un agujero de 1,9 a 2,2 cm en el centro para recibir una espiga torneada en el extremo de la pieza de trabajo.

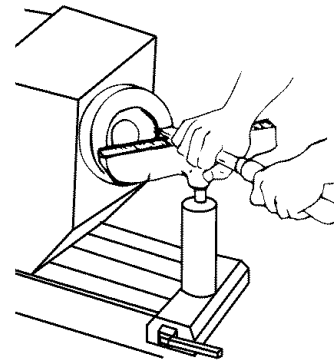


Figura 61

Una vez hechos, los portaherramientas son accesorios útiles y permanentes para tornear bolas, copas, etc. Cuando se usa, el material de madera que se va a tornearse se tornea entre las puntas para producir una espiga en un extremo que estará calzando en el agujero del portaherramienta. Cuando la pieza de trabajo está montada en el portaherramienta, queda apoyada considerablemente para cualquier tipo de torneado de placa frontal.

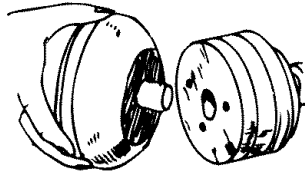


Figura 62

### COMO SE TORNEAN LOS CILINDROS

El material para cilindros se tiene que montar en la punta del tornillo o en una placa frontal pequeña. El cabezal móvil se puede levantar para soportar el trabajo mientras que la circunferencia está siendo torneada y acabada. Después, el cabezal móvil se retrocede y el extremo exterior del cilindro recibe la cavidad, usando los métodos que ya se han descrito para hacer cavidades profundas.

- Después de hacer una cavidad parcial a través de la pieza de trabajo, y acabándola en el interior, remueva la pieza de trabajo del torno.
- Ahora monte un pedazo corto de madera blanda en la punta del tornillo y redúzcalo para que forme una espiga que quede apretada a presión (no clavada) dentro del extremo con cavidad del cilindro.
- Monte el cilindro en este portaherramienta de madera, y haga una cavidad en el extremo no trabajado lo suficientemente profunda como para formar un agujero perfecto que atraviese todo el cilindro.

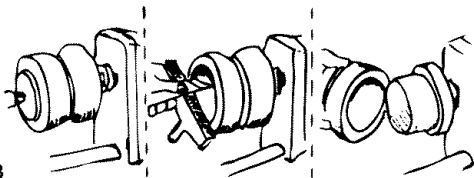


Figura 63

### MONTAJE ADICIONAL

Esto incluye todo montaje adicional que es necesario para completar un proyecto de torneado. El método de trabajar los cilindros y el uso de un portaherramienta macho, tal como se ha descrito anteriormente, son ejemplos típicos. Otro buen ejemplo es cuando se hace montaje adicional para un recipiente redondo.

- El trabajo se monta en un bloque de respaldo de madera asegurado contra la placa frontal grande y se tornea de manera normal. Todas las superficies se cortan excepto el lado trasero (que está en contra del bloque de montaje). Luego, el trabajo se remueve del bloque de montaje.
- Ahora se hace un portaherramienta auxiliar de madera blanda de la misma manera que se hizo el portaherramienta del cilindro. El portaherramienta debe tener una cavidad torneada de un tamaño tal que pueda acomodar el borde del recipiente de manera segura.
- Cuando se monta el recipiente en este portaherramienta, el fondo se puede limpiar y se le puede hacer una cavidad pequeña para completar los contornos deseados.



Figura 64

### COMO SE TORNEA UN ANILLO

Uno de los métodos de tornearse un anillo requiere un portaherramienta de husillo.

- El material de trabajo primero se monta en un bloque de respaldo que está sujeto con una placa frontal grande y se tornea hasta lograr su forma en el lado externo. El diámetro interno del anillo también se forma – completamente, a través del bloque de respaldo.
- El trabajo luego se saca del bloque de respaldo.
- Ahora se prepara un portaherramienta de husillo de modo que calce apretado dentro del anillo. El anillo se invierte y se monta en este portaherramienta. Una vez que el anillo está montado, se pueden tornearse el resto de los contornos hasta lograr la forma deseada.

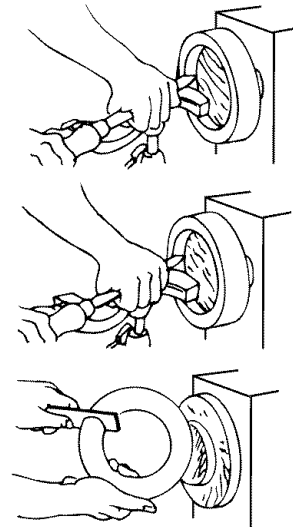


Figura 65

Otro método de tornearse un anillo requiere un portaherramienta con cavidad.

- El material de trabajo se monta en una punta de tornillo y se forma una mitad del anillo, pero el anillo no se corta de su centro.
- El material se remueve y se prepara un portaherramienta con cavidad – montado en una placa frontal grande – para recibir el anillo de modo que calce apretado a presión.
- Después de que se coloca en el portaherramienta, la otra cara del anillo que queda se puede tornearse hasta obtener el contorno correcto, cortando en esta forma la parte del centro.
- Cuando haga trabajo de esta clase tome medidas constantemente o aún mejor, use una plantilla para evitar cortar demasiado o no cortar lo suficiente.

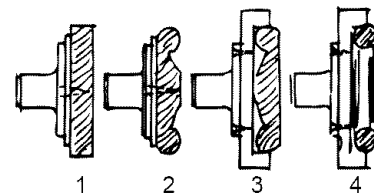


Figura 66

### COMO SE TORNEAN LAS BOLAS

- Las bolas de madera de tamaño grande primero se tornean para reducir las entre las puntas, con los procedimientos estándar.
- Las bolas más pequeñas se pueden montar como placas frontales en una placa frontal pequeña o en una punta de tornillo.

- Las líneas trazadas para indicar el centro y los extremos de la forma de la bola ayudan a trazar la curva.
- Siempre se tiene que usar una plantilla para poder observar visualmente con precisión el progreso del trabajo.

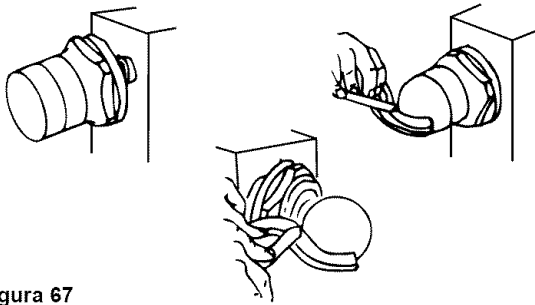


Figura 67

Si la bola está montada como un torneado de placa frontal, casi toda la superficie se puede torneear antes de que sea necesario montarla de nuevo.

- El montaje adicional se puede lograr con un portaherramienta acopado profundo que sujetará la parte acabada de la bola a presión.

Otro método de volver a montar es usando un portaherramienta acopado con poca profundidad que sujete la bola sola, pero se tiene que utilizar junto con el cabezal móvil.

- Cuando use un portaherramienta poco profundo, se calza un bloque de madera en el cabezal móvil de modo que la bola pueda dar vueltas en éste. Este bloque se debe lubricar con cera de abejas o grasa.
- Cuando se usa el método con el portaherramienta con poca profundidad, la bola se cambia constantemente – nunca más de  $\frac{1}{8}$  de vuelta – y siempre con el mismo patrón.

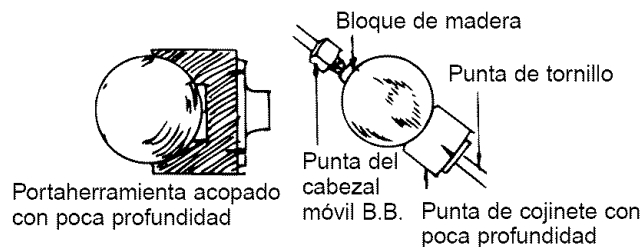


Figura 68

- Dado que el torneado entre puntas hace que el trabajo se convierta en una esfera perfecta a través de la veta, la bola se tiene que montar en el portaherramienta de modo que los primeros cortes de raspado la redondeen en dirección opuesta.

### CAJAS TORNEADAS

Las cajas torneadas implican hacer concavidades profundas junto con un sistema especial de trabajar la tapa y el cuerpo de la caja juntos como una unidad.

- El interior de la tapa se torneaa primero.
- Luego, se torneaa el interior del cuerpo. Se tiene que revisar cuidadosamente cuando se torneaa el borde de la parte del cuerpo de modo que la tapa quede apretada a presión.
- La tapa entonces se presiona en el cuerpo y la circunferencia exterior y la cara de la tapa, junto con la circunferencia exterior del cuerpo, se tornean todos de una vez. Esto asegura que las dos piezas tengan una correspondencia precisa.
- Después de que el trabajo se completa, se puede aliviar el calce apretado de la tapa lijando el borde del cuerpo.

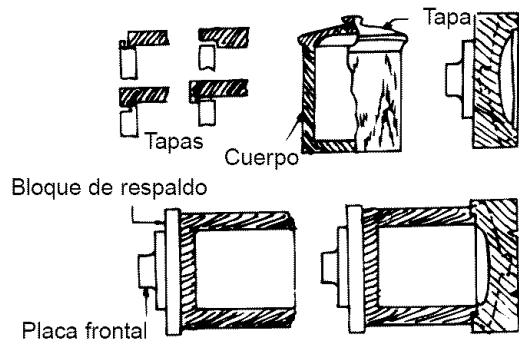


Figura 69

### TORNEADOS SEGMENTADOS

Las cajas y los recipientes redondos segmentados son excepcionalmente atractivos – y este método de preparar el material de madera es más económico que cuando se usa una pieza de material grande. Para ciertos tipos de trabajo, la segmentación es el único método práctico debido a que un bloque (si se puede obtener) sería tan grande que probablemente se va a combar.

- El recipiente redondo ilustrado en la Figura 66 exige 12 piezas segmentadas para los lados. Los recipientes redondos también se pueden trabajar con 6 u 8 piezas.
- Para hacer un recipiente redondo de 12 piezas, se corta una tabla de alrededor de 3,2 mm x 7,6 cm x 76,2 cm en piezas de alrededor de 6,4 cm de largo, y la hoja de la sierra se inclina a 15°, y se alterna cara arriba y cara abajo para hacer cortes sucesivos.
- Estas 12 piezas se pegan entre sí y se sujetan al envolver el conjunto con alambre (o equivalente).
- Cuando está seco, el borde que así se ha formado se pega a un respaldo provisorio circular que está montado en una placa frontal grande.

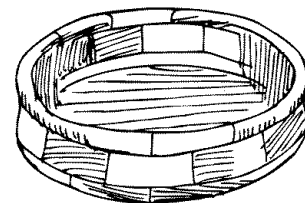


Figura 70

- Se torneaa una cavidad de 1,9 cm de profundidad del diámetro más grande posible en el extremo abierto del borde.
- Se remueve el borde del torno y el material de la parte inferior se monta en su lugar en una segunda placa frontal. Esto se torneaa hasta el tamaño deseado – y se torneaa un borde de alrededor de 3,2 mm de profundidad para que calce exactamente en la cavidad preparada en el borde.
- Luego el borde se calza en la parte inferior y se pega, formando un tambor con una placa frontal en cada extremo.
- Este tambor se corta completamente en dos en un lugar que quede alrededor de 1,9 cm sobre la parte inferior – el corte se completa con una sierra manual.
- Ambas partes de la superficie del corte se cuadran y alisan – luego se vuelven a pegar entre sí, rompiendo las juntas exactamente en la mitad. El proceso de corte y de volver a pegar se repite con una sección de alrededor de 3,2 cm de ancho.
- Luego, el bloque de respaldo provisorio se corta dejando el recipiente redondo tal como se muestra en la ilustración final. De este momento en adelante, el trabajo es sencillamente torneear el recipiente redondo hasta que se llegue a la forma deseada.

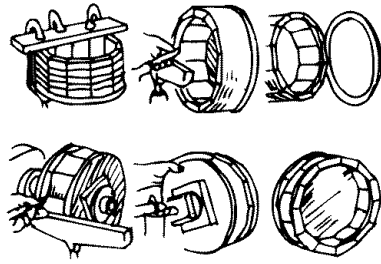


Figura 71

## COMO SE TORNEAN LOS PLASTICOS

### TIPOS DE PLASTICO

Hay dos grupos generales de plásticos. El primero incluye todos los plásticos de fenol moldeados bajo calor y presión. La baquelita y la Formica son ejemplos. En el segundo tenemos a todos los plásticos de fraguado con catalizador de diversas bases que se venden con marcas registradas como Lucite, Catalin, Cast Bakelite, Marblette, Tenite y Trafford. Aquellos en el segundo grupo son los más comunes en el trabajo de artesanía. Son fáciles de tornear, y un poco más duros que la madera, pero mucho más blandos que cualquiera de los metales blandos.

### COMO MONTAR EL TRABAJO

El dispositivo de montaje más útil es el portaherramienta de 4 mordazas (torno de metal). Cuando no está disponible, los cilindros se pueden montar en un mandril de madera con un ahusamiento pequeño. Las varillas se pueden montar entre las puntas, usando las puntas de montaje de madera o arreglos de montaje de metal. Cuando se usa la punta de espuela, se tienen que aserrar ranuras a través del trabajo.

### USO DE CINCELES TORNEADORES DE MADERA

Los cinceles torneadores de madera estándar son excelentes para tornear plásticos con el método de raspado.

- El soporte de la herramienta debe estar un poco más bajo que la punta, y el mango del cincel se debe sujetar un poco más alto que el borde cortante para obtener una inclinación negativa.
- Las herramientas raspadoras se tienen que mantener a un mínimo. Un área de contacto grande, tal como todo el borde completo del cincel de punta de lanza, produce tintineo y probablemente astillamiento.
- Si se hace correctamente, la viruta sale en una cinta continua.
- En climas fríos, el plástico se pone quebradizo y se tiene que templar en agua caliente por alrededor de diez minutos antes de tornearse.

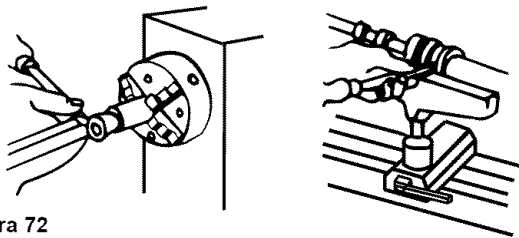


Figura 72

### USO DE HERRAMIENTAS FORMADAS PARA LA PRODUCCION DE REBORDES Y OPERACIONES SIMILARES

Cuando se van a producir una serie de piezas idénticas y todas tienen un patrón de superficie distinguible, las herramientas preformadas acelerarán el trabajo y asegurarán la uniformidad. Los patrones como los que se ilustran se pueden crear al esmerilar cintas de aluminio de calibre delgado (0,5 a 0,25 mm). Un sujetador como el que se muestra, luego se puede usar para soportar cualquiera de las tiras preparadas y guiarlas contra la pieza de trabajo.

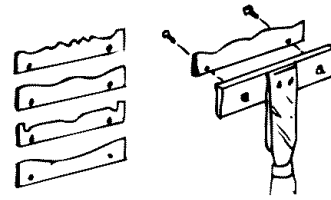


Figura 73

### COMO SE TORNEAN LAS BOLAS

Las bolas de plástico se tornean para reducir las de la manera normal y luego se les redondea perfectamente usando una herramienta de tubo. El tubo debe tener un diámetro un poco menor que el tamaño acabado de la bola. Puede ser de latón o de acero, esmerilado cuadrado a través del extremo. La herramienta se usa con o sin soporte y se trabaja oscilándola de lado a lado.

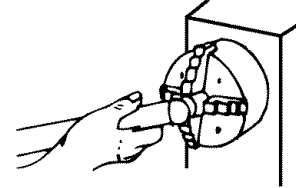


Figura 74

### COMO SE PULEN LOS PLASTICOS

Empiece con el lijado.

- Primero use papel de lija seco de grano 150 para remover las marcas de la herramienta.
- Luego termine con papeles de lija de grano 150 y 400, en sucesión. Estos productos abrasivos tienen que estar mojados.
- Presione suavemente para evitar el sobrecalentamiento y estropear el trabajo.
- El bruñido le da el pulido final, usando compuestos para pulir que se venden regularmente para este fin. No presione muy fuerte ni sujete la rueda en un lugar por mucho rato – siga moviéndose – de lo contrario el plástico se puede marcar con el calor.

### LIJADO, BRUÑIDO Y PULIDO

#### COMO SE USA EL TORNO PARA TORNEADOS DE LIJA

- Las piezas torneadas se deben lijar con el torno funcionando a la segunda velocidad más baja.
- Es útil usar una hoja de papel de lija grande para alisar los cilindros.
- Todas las demás operaciones de lijado se hacen con una tira delgada de papel abrasivo. El mejor grano para el acabado es 3/0 para la madera blanda, 4/0 para las maderas duras. A menudo se usa papel gastado de 2/0 y es equivalente al papel nuevo de 3/0 ó 4/0.

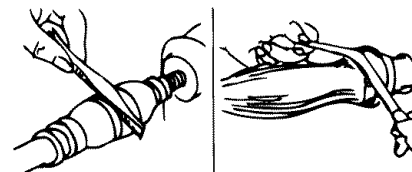


Figura 75

La aplicación de una tira de papel de lija se muestra en las ilustraciones.

- Se debe tener cuidado para evitar desbastar las esquinas de los rebordes, resaltos, etc.

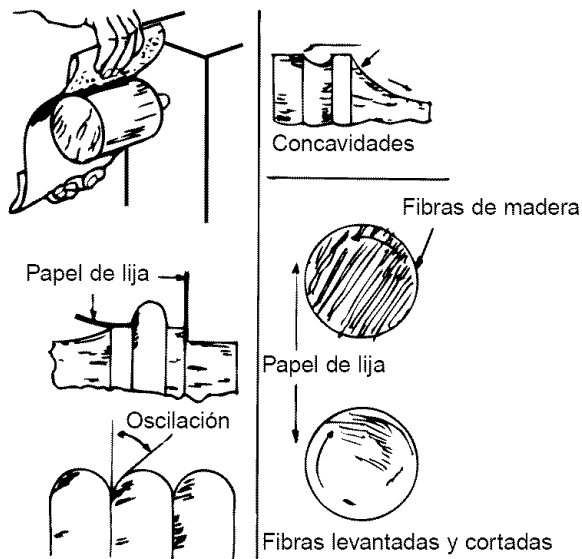


Figura 76

### USO DE TAMBORES LIJADORES

Refiérase a la Figura 73.

Los tambores de lijado estándar son normalmente cilindros de goma que se pueden expandir para sujetar el manguito abrasivo en su lugar. Cilindros similares, torneados en el torno y cubiertos con papel abrasivo, sirven para hacer el trabajo. Estos tienen las ventajas que se pueden hacer tamaños, ahusamientos, etc. especiales. Los papeles adhesivos se pueden pegar a la superficie cilíndrica completa y precisamente.

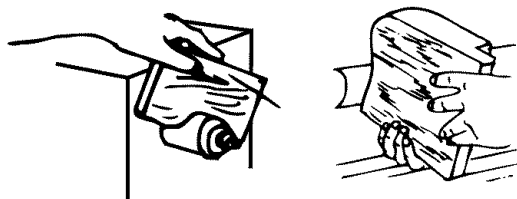


Figura 77

El tambor se usa principalmente para lijar los bordes del trabajo curvo.

- La cuadratura del borde del trabajo se mantiene mejor usando una forma simple de guía vertical tal como se muestra.
- Los tambores de lijado estándar se hacen normalmente con un agujero roscado para que acomode el husillo accionador del torno.
- Para protegerse contra la pérdida del vástago ahusado mientras el tambor está en operación, es aconsejable soportar el extremo libre usando una punta sencilla de 60° o un rodamiento de bola en el cabezal móvil.

### USO DE PORTAHERRAMIENTAS DE MADERA PARA LIJAR

Los portaherramientas de acción rápida pueden ser muy útiles para las operaciones de lijado en las partes que se producen en duplicado. El portaherramienta se hace con tamaño un poco grande y se inserta un pedazo de manguera de goma (para las partes pequeñas) en la cavidad, para agarrar las piezas de trabajo.

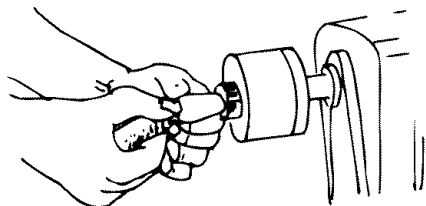


Figura 78

## MANTENIMIENTO

**ADVERTENCIA:** Asegúrese que la unidad esté desconectada de la fuente de energía antes de tratar de hacer el servicio o de remover cualquier componente.

### LIMPIEZA

Mantenga la máquina y el taller limpios. No permita que el aserrín se acumule en la herramienta. Mantenga las puntas limpias. Asegúrese que el motor se mantenga limpio y que se aspire regularmente para remover el polvo.

Use agua y jabón para limpiar las partes pintadas, partes de goma y las protecciones de plástico.

### LUBRICACION

Los rodamientos de bola protegidos en esta herramienta vienen permanentemente lubricados de fábrica. No necesitan más lubricación.

### MANTENGA LA HERRAMIENTA EN BUEN ESTADO

- Si el cordón está desgastado, cortado o dañado de alguna manera, cámbielo inmediatamente.
- Cambie las partes dañadas o que falten. Use la lista de partes para ordenarlas.

A menos que las reparaciones las haga un técnico calificado, todo intento de reparar el motor puede crear un peligro. El servicio de reparaciones está disponible en su tienda Sears más cercana.

### CAMBIO DE LA CORREA DE VELOCIDAD VARIABLE DESGASTADA

Refiérase a la Figura 79.

- Retire la cubierta posterior superior (1 tornillo).
- Retire la cubierta superior (4 tornillos).
- Retire la cubierta delantera.
- Retire y reemplace la correa.
- Vuelva a montar en el orden inverso.

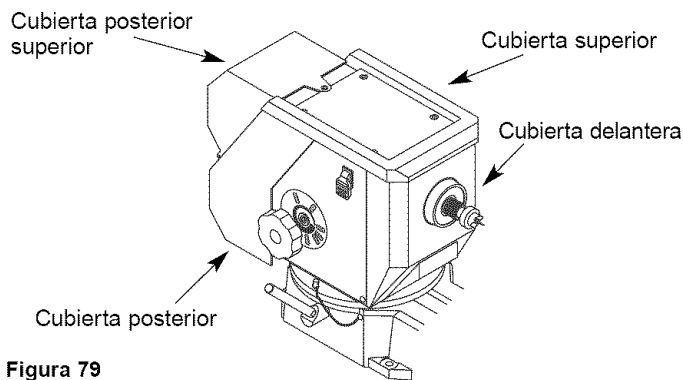


Figura 79



## CAMBIO DE LA CORREA DE VELOCIDAD VARIABLE DESGASTADA

Refiérase a las Figuras 79 y 80.

**AVISO:** para llevar a cabo esta operación se necesita un extractor mecánico de mordazas y un alicate anular a presión.

- Retire la cubierta posterior superior (1 tornillo).
- Retire la cubierta superior (4 tornillos).
- Retire la cubierta posterior (4 tornillos).
- Retire el anillo del eje impulsor.
- Retire 4 pernos de cabeza hueca de la placa.
- Con el extractor, retire la placa, el cojinete y la polea.
- Retire el anillo a presión, la tapa, el resorte y la polea del eje del husillo.

**PRECAUCION:** La tapa está cargada a resorte y tensionada

- Retire y reemplace la correa.
- Vuelva a montar en el orden inverso.

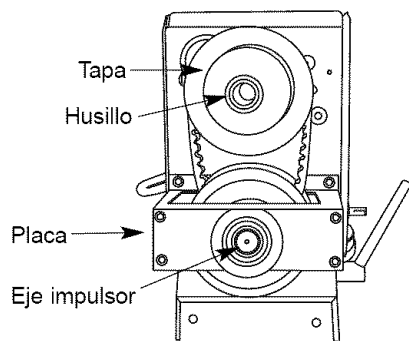


Figura 80

## IDENTIFICACION DE PROBLEMAS

SINTOMA	CAUSA(S) POSIBLE(S)	MEDIDA CORRECTIVA
El motor no arranca	<ol style="list-style-type: none"> <li>1. Voltaje bajo</li> <li>2. Circuitos abiertos en el motor o conexiones sueltas</li> <li>3. Capacitor defectuoso</li> </ol>	<ol style="list-style-type: none"> <li>1. Revise la línea de energía eléctrica para verificar si tiene el voltaje correcto</li> <li>2. Inspeccione todas las conexiones de los conductores en el motor para verificar si hay conexiones sueltas o abiertas</li> <li>3. Reemplace el capacitor</li> </ol>
El motor no arranca; el fusible está quemado o los interruptores de circuito se han disparado	<ol style="list-style-type: none"> <li>1. Cortocircuito en el cordón eléctrico o en el enchufe</li> <li>2. Cortocircuito en el motor o las conexiones están sueltas</li> <li>3. Fusibles o interruptores de circuito incorrectos en la línea eléctrica</li> </ol>	<ol style="list-style-type: none"> <li>1. Inspeccione el cordón eléctrico o el enchufe para verificar si el aislamiento está dañado o si los cables tienen cortocircuito</li> <li>2. Inspeccione todas las conexiones de los conductores en el motor para verificar si los terminales están sueltos o tienen cortocircuito, o si el aislamiento de los cables está desgastado</li> <li>3. Instale los fusibles o los interruptores de circuito correctos</li> </ol>
El motor no alcanza a desarrollar la energía completa (la salida de energía del motor disminuye rápidamente cuando disminuye el voltaje en los terminales del motor)	<ol style="list-style-type: none"> <li>1. La línea eléctrica está sobrecargada con luces, artefactos o con otros motores</li> <li>2. Cables muy pequeños o circuitos muy largos</li> <li>3. Sobrecarga general de la compañía de energía eléctrica</li> </ol>	<ol style="list-style-type: none"> <li>1. Reduzca la carga en la línea eléctrica</li> <li>2. Aumente el tamaño de los cables o reduzca la longitud del cableado</li> <li>3. Solicite una revisión del voltaje a la compañía de energía eléctrica</li> </ol>
El motor se sobrecalienta	El motor está sobrecargado	Reduzca la carga del motor
El motor se detiene abruptamente (los fusibles se queman y los interruptores de circuito se disparan)	<ol style="list-style-type: none"> <li>1. Cortocircuito en el motor o conexiones sueltas</li> <li>2. Voltaje bajo</li> <li>3. Fusibles o interruptores de circuito incorrectos en la línea eléctrica</li> <li>4. El motor está sobrecargado</li> </ol>	<ol style="list-style-type: none"> <li>1. Inspeccione todas las conexiones en el motor para verificar si los terminales están sueltos o tienen cortocircuito o si el aislamiento de los cables de los conductores está desgastado</li> <li>2. Corrija las condiciones de voltaje bajo de la línea eléctrica</li> <li>3. Instale los fusibles o los interruptores de circuito correctos</li> <li>4. Reduzca la carga del motor</li> </ol>
La máquina se desacelera durante la operación	Se está aplicando mucha presión en la pieza de trabajo	Alivie la presión

## IDENTIFICACION DE PROBLEMAS (CONTINUACION)

SINTOMA	CAUSA(S) POSIBLE(S)	MEDIDA CORRECTIVA
La herramienta "tintinea" durante las operaciones de torneado	<ol style="list-style-type: none"> <li>1. La pieza de trabajo está demasiado ovalada</li> <li>2. La pieza de trabajo se mueve mucho de lado a lado</li> <li>3. El operador está usando mala técnica</li> <li>4. El movimiento de corte se está haciendo en contra de la veta de la pieza de trabajo</li> <li>5. La pieza de trabajo es muy larga y delgada – la pieza de trabajo está siendo desviada por la presión de la herramienta</li> </ol>	<ol style="list-style-type: none"> <li>1. Mejore la redondez de la pieza de trabajo antes de tornear</li> <li>2. Establezca marcas de puntas nuevas en los extremos para reducir el movimiento de lado a lado</li> <li>3. Lea las instrucciones y haga cortes menos severos para minimizar el tintineo</li> <li>4. Use el movimiento de corte que va en el sentido de la veta</li> <li>5. Instale un soporte firme en el medio, detrás de la pieza de trabajo</li> </ol>
La pieza de trabajo se parte o se "rompe" durante el torneado	La pieza de trabajo tenía defectos antes de montarse	Seleccione o monte una pieza de trabajo sin defectos

# Get it fixed, at your home or ours!

## Your Home

For repair – **in your home** – of **all** major brand appliances, lawn and garden equipment, or heating and cooling systems, **no matter who made it, no matter who sold it!**

For the replacement parts, accessories and owner's manuals that you need to do-it-yourself.

For Sears professional installation of home appliances and items like garage door openers and water heaters.

**1-800-4-MY-HOME®** (1-800-469-4663)

Call anytime, day or night (U.S.A. and Canada)

[www.sears.com](http://www.sears.com)    [www.sears.ca](http://www.sears.ca)

## Our Home

For repair of carry-in items like vacuums, lawn equipment, and electronics, call or go on-line for the location of your nearest **Sears Parts & Repair Center.**

**1-800-488-1222**

Call anytime, day or night (U.S.A. only)

[www.sears.com](http://www.sears.com)

To purchase a protection agreement (U.S.A.) or maintenance agreement (Canada) on a product serviced by Sears:

**1-800-827-6655** (U.S.A.)

**1-800-361-6665** (Canada)

Para pedir servicio de reparación a domicilio, y para ordenar piezas:

**1-888-SU-HOGAR<sup>SM</sup>**

(1-888-784-6427)

Au Canada pour service en français:

**1-800-LE-FOYER<sup>MC</sup>**

(1-800-533-6937)

[www.sears.ca](http://www.sears.ca)

The Sears logo is centered at the bottom of the advertisement. It features the word "Sears" in a bold, serif font. The letter "S" is significantly larger than the other letters. A horizontal line is positioned below the letters "e", "a", and "r".

© Registered Trademark / <sup>TM</sup> Trademark / <sup>SM</sup> Service Mark of Sears, Roebuck and Co.

© Marca Registrada / <sup>TM</sup> Marca de Fábrica / <sup>SM</sup> Marca de Servicio de Sears, Roebuck and Co.

<sup>MC</sup> Marque de commerce / <sup>MD</sup> Marque déposée de Sears, Roebuck and Co.

© Sears, Roebuck and Co.