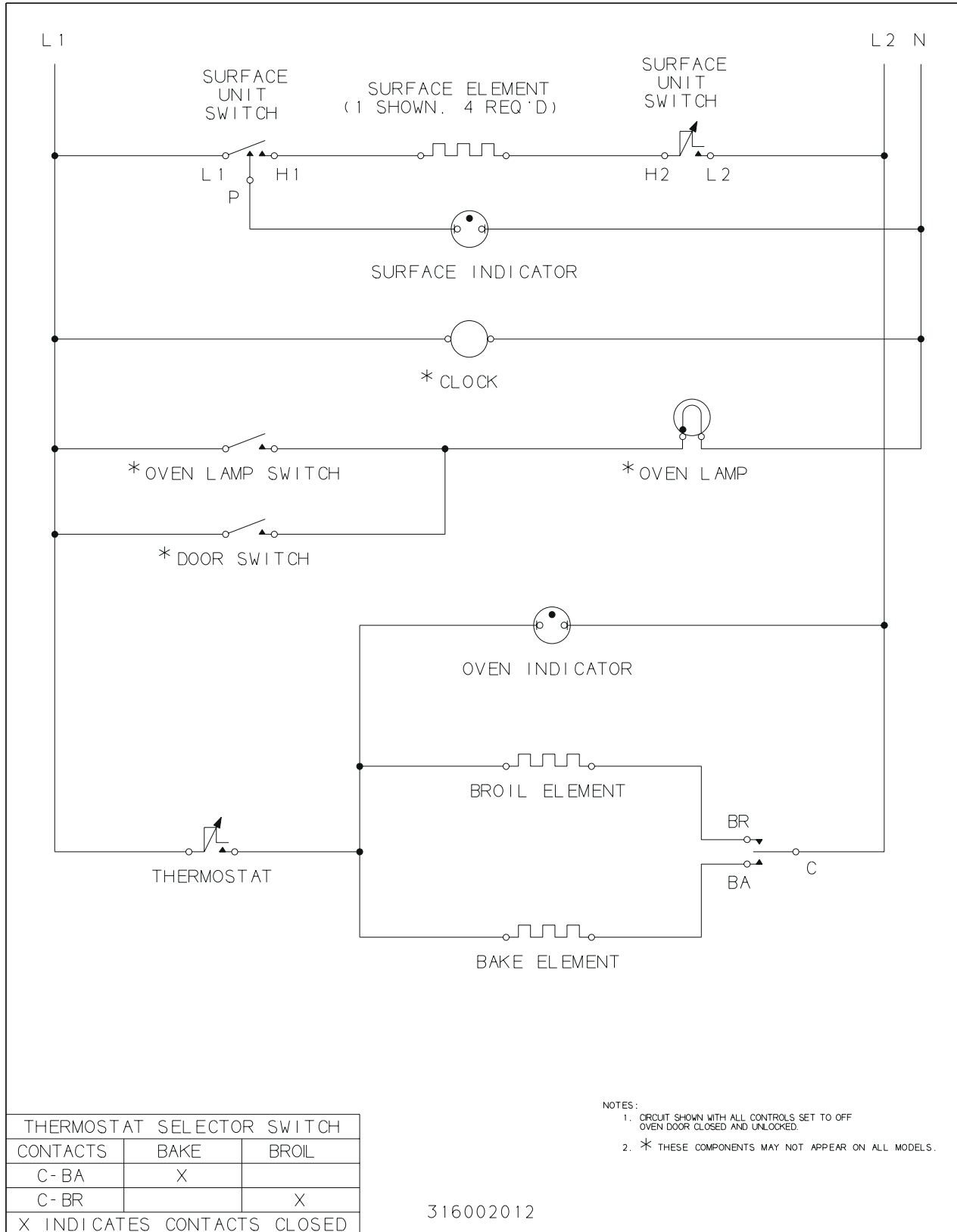


WIRING DIAGRAM



THERMOSTAT SELECTOR SWITCH		
CONTACTS	BAKE	BROIL
C- BA	X	
C- BR		X
X INDICATES CONTACTS CLOSED		

- NOTES:
1. CIRCUIT SHOWN WITH ALL CONTROLS SET TO OFF OVEN DOOR CLOSED AND UNLOCKED.
 2. * THESE COMPONENTS MAY NOT APPEAR ON ALL MODELS.

316002012