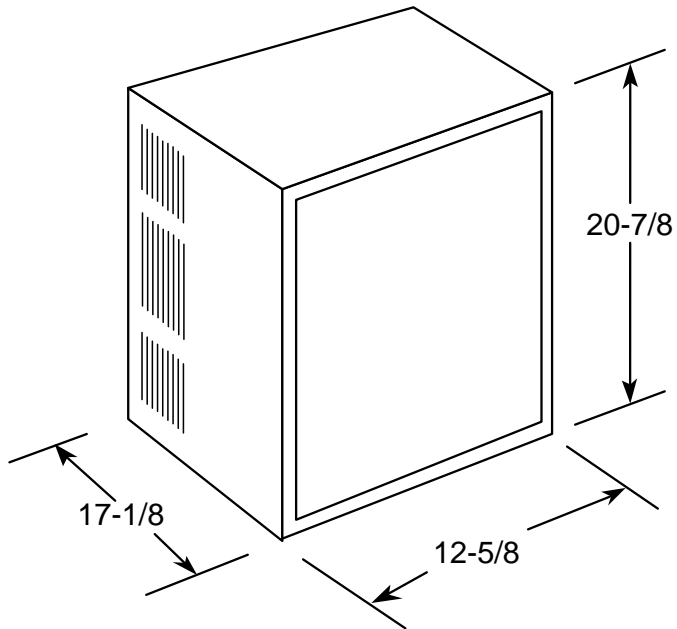




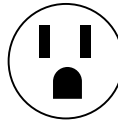
GE Appliances

AHG50LB—GE Energy Star® 115 Volt Dehumidifier

Wall Case Dimensions (in inches)



Parallel



115V
15 Amp

Wall Outlets: All wiring, including installation of receptacle, must be made in accordance with local electrical codes and regulations. Electrical outlet should be in reach of line cord.

Note: Aluminum building wiring may pose special problems—consult a qualified electrician.

Specification Created 5/01

For answers to your Monogram®, GE Profile™ or GE appliance questions, visit our website at GEAppliances.com or call GE Answer Center® service, 800.626.2000.



Total volume and shelf area are calculated by the Association of Home Appliance Manufacturers' standards.



Listed by Underwriters Laboratories

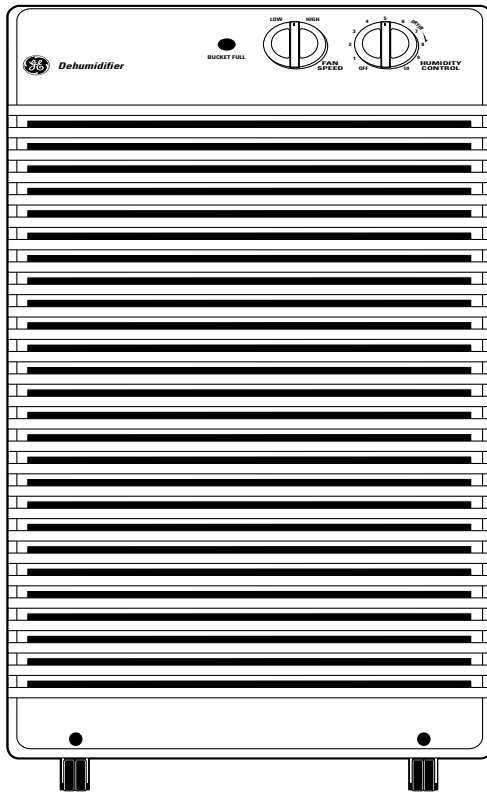


As an ENERGY STAR® Partner, GE has determined that this product meets the ENERGY STAR® guidelines for energy efficiency.



GE Appliances

AHG50LB–GE Energy Star® 115 Volt Dehumidifier



Features and Benefits

- Energy Star® Rated
- 50 Dehumidification (pints/day)
- Removable Bucket with Handle (21 pints capacity)
- Automatic Defrost
- Automatic Humidistat
- Automatic Shut-Off
- Water Full Indicator
- 580 Watts/6.0 Amps/115 Volts
- 2 Fan Speeds
- 125 (CFM) Dry Airflow
- Plug Type - Parallel
- 10 (Amps) Circuit Size
- External Drain Connector
- 4 Movable Casters
- Model AHG50LB–Cameo white