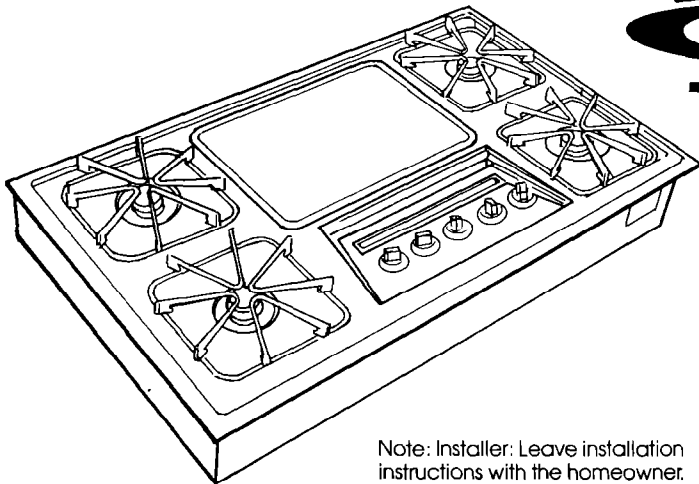


Installation Instructions



Note: Installer: Leave installation instructions with the homeowner.
Homeowner: Keep installation instructions for future reference.

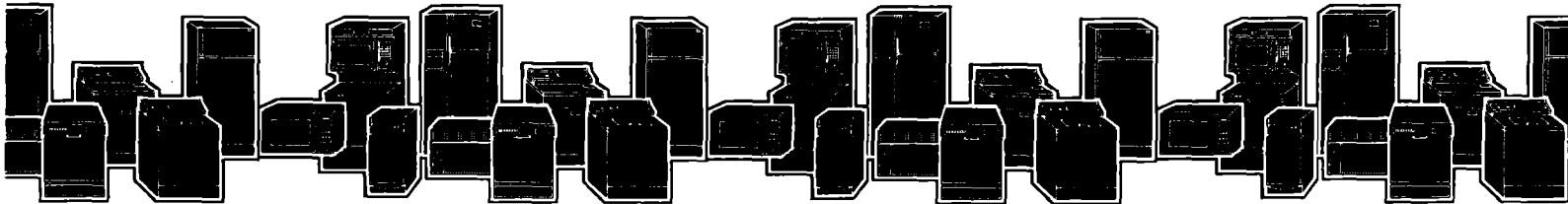


Whirlpool

Home Appliances

36" Gas Cooktop

Washers, Clothes Dryers, Freezers, Refrigerators-Freezers, Ice Makers, Dishwashers, Built-In Ovens and Surface Units, Ranges, Microwave Ovens, Compactors, Room Air Conditioners, Dehumidifiers, Automatic Washers, Clothes Dryers, Freezers, Refrigerators-Freezers, Ice Makers, Dishwashers, Built-In Ovens



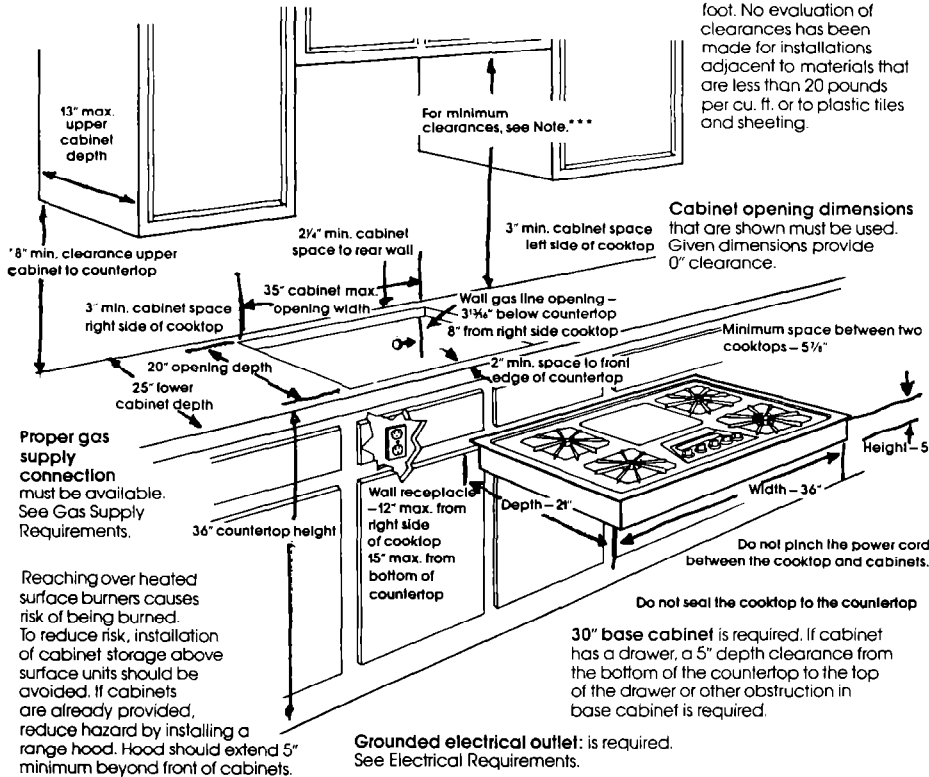
Before you start...

Proper installation is your responsibility. Make sure you have everything necessary for correct installation. It is the responsibility of the installer to comply with the installation clearance specified on the serial/rating plate. The serial/rating plate can be found under the cooktop.

Check location where cooktop will be installed. The location should be away from strong draft areas, such as windows, doors, and strong heating vents or fans. The cooktop should be located for convenient use in the kitchen.

ALL OPENINGS IN THE WALL OR FLOOR WHERE THE COOKTOP IS TO BE INSTALLED MUST BE SEALED.

Note: Clearances specified are for combustible walls and materials that have a density of 20 or more pounds per cubic foot. No evaluation of clearances has been made for installations adjacent to materials that are less than 20 pounds per cu. ft. or to plastic tiles and sheeting.



FOR YOUR SAFETY

If you smell gas:

1. Open windows.
2. Don't touch electrical switches.
3. Extinguish any open flame.
4. Immediately call your gas supplier.

FOR YOUR SAFETY

Do not store or use gasoline or other flammable vapors and liquids in the vicinity of this or any other appliance.

FOR YOUR SAFETY

Do not obstruct the flow of combustion and ventilation air.

FOR YOUR SAFETY

The maximum gas supply pressure for this gas cooktop must not exceed 14 inches W.C.P.

Important: Observe all governing codes and ordinances. Failure to meet codes and ordinances could lead to fire or electrical shock hazard.

*** NOTE: 36" min. clearance between the top of the cooking platform and the bottom of an unprotected wood or metal cabinet. 30" min. when bottom of wood or metal cabinet is protected by not less than 1/2" flame retardant millboard covered with not less than No. 28 MSG sheet steel, 0.015" stainless steel, 0.024" aluminum or 0.020" copper.

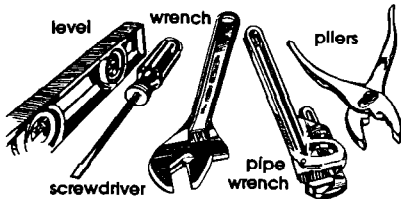
Mobile Home Installation

The installation of this cooktop must conform to the Manufactured Home Construction and Safety Standards, Title 24 CFR, Part 3280 (formerly the Federal Standard for Mobile Home Construction and Safety, Title 24, HUD (part 280)).

Copies of the standard listed above may be obtained from:

- *American Gas Association
1515 Wilson Boulevard
Arlington, Virginia 22209
- ** National Fire Protection Association
Battymarch Park
Quincy, Massachusetts 02269

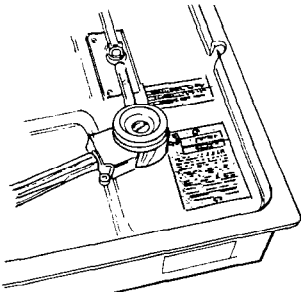
Tools needed for installation.



Gas Supply Requirements

Observe all governing codes and ordinances.

A. This installation must conform with local codes and ordinances. In the absence of local codes, installation must conform with American National Standard, National Fuel Gas Code ANSI Z223.1-latest edition.



B. Input ratings shown on the serial/rating plate are for elevations up to 2,000 feet. For elevations above 2,000 feet, ratings should be reduced at a rate of 4% for each 1,000 feet above sea level.

C. This cooktop is equipped for use with NATURAL gas. If it is certified by A.G.A. for NATURAL and L.P. gases with appropriate conversion. The serial/rating plate located under the cooktop has information on the type of gas that can be used. If this information does not agree with the type of gas available, check with the local gas supplier. See back cover for L.P. gas conversion instructions.

D. Provide a gas supply line of 3/4" rigid pipe to the cooktop location. Pipe joint compounds resistant to the action of L.P. gas must be used. With L.P. gas, piping or tubing size can be 1/2" minimum. L.P. gas suppliers usually determine the size and materials used on the system.



E. If local codes permit, A.G.A. certified flexible metal tubing (new) is recommended for connecting this cooktop to the gas supply line. Do not kink or damage the flexible tubing when moving the cooktop. A 1/2" male pipe thread is needed for connection to pressure regulator female pipe threads.

F. The supply line should be equipped with a shut-off valve. This valve should be located in the same room as the cooktop and should be in a location that allows ease of opening and closing. Do not block access to shut-off valve.

G. If rigid pipe is used as a gas supply line, a combination of pipe fittings must be used to obtain an in-line connection to the cooktop. All strains must be removed from the supply and fuel lines so cooktop will be level and in line.

H. The inlet pressure to the regulator should be as follows for both operation and checking regulator setting:

NATURAL GAS:
Minimum pressure 7 Inches
Maximum pressure 14 Inches
L.P. GAS:
Minimum pressure 11 Inches
Maximum pressure 14 Inches

I. The cooktop and its individual shut-off valve must be disconnected from the gas supply piping system during any pressure testing of that system at test pressures in excess of 1/2 psig (3.5 kPa). The cooktop must be isolated from the gas supply piping system by closing its individual manual shut-off valve during any pressure testing of the gas supply piping system at test pressures equal to or less than 1/2 psig (3.5 kPa).

Electrical Requirements

Warning: Improper connection of the equipment grounding conductor can result in a risk of electrical shock.

A 120 Volt, 60 Hz, AC only, 15 Ampere fused electrical supply is required (time-delay fuse or circuit breaker is recommended). It is recommended that a separate circuit serving only this appliance be provided. **DO NOT USE AN EXTENSION CORD.**

A wiring diagram is included in literature package. The wiring diagram is also located on the underside of the cooktop control panel.

Recommended Grounding Method

DO NOT, UNDER ANY CIRCUMSTANCES, REMOVE THE POWER SUPPLY CORD GROUNDING PRONG.

For your personal safety, this appliance must be grounded. This appliance is equipped with a power supply cord having a 3-prong grounding plug. To minimize possible shock hazard, the cord must be plugged into a mating 3-prong grounding type wall receptacle, grounded in accordance with the National Electrical Code, ANSI/NFPA 70-1987 and local codes and ordinances. See Figure 1. If a mating wall receptacle is not available, it is the personal responsibility and obligation of the customer to have a properly grounded 3-prong wall receptacle installed by a qualified electrician.

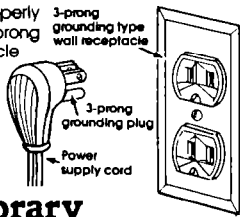


Figure 1

Temporary Grounding Method

DO NOT, UNDER ANY CIRCUMSTANCES, REMOVE THE POWER SUPPLY CORD GROUNDING PRONG.

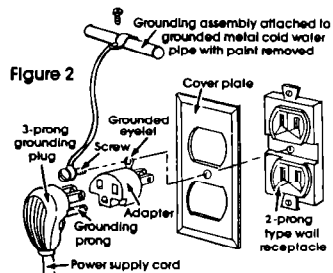


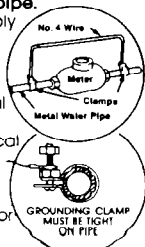
Figure 2

Electrical ground is required on this appliance

If changing and properly grounding the wall receptacle is impossible and where local codes permit (consult your electrical inspector), a temporary adaptor may be plugged into the existing 2-prong wall receptacle to mate with the 3-prong power supply cord.

If this is done, you must connect a separate copper grounding wire (No. 18 minimum) to a grounded cold water pipe by means of a clamp and then to the external grounding connector screw. **Do not ground to a gas supply pipe.** Do not connect to electrical supply until appliance is permanently grounded. See Figure 2.

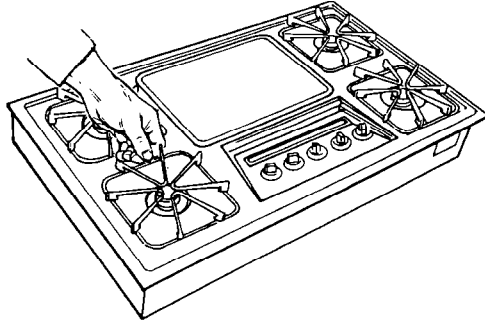
Grounded cold water pipe must have metal continuity to electrical ground and not be interrupted by plastic, rubber or other electrical insulating connectors such as hoses, fittings, washers or gaskets (including water meter or pump). Any electrical insulating connector should be jumped as shown with length of No. 4 wire securely clamped to bare metal at both ends.



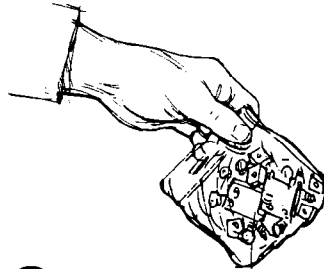
Now Start...

With cooktop in kitchen.

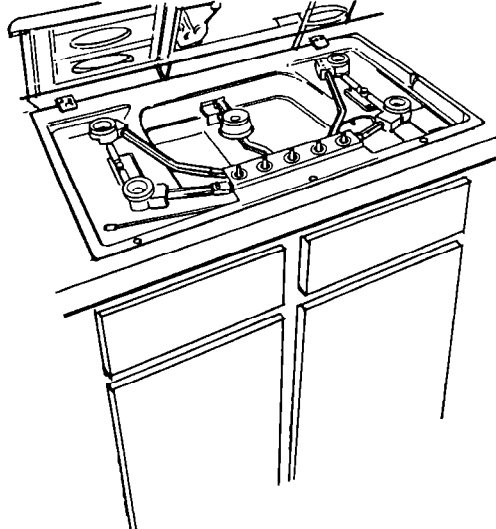
1. Remove shipping materials, tape and protective film from cooktop.



2. Remove burner grates and main top from burner box.



3. Remove plastic parts bag from inside cooktop. Remove parts from bag and line up next to your tools.



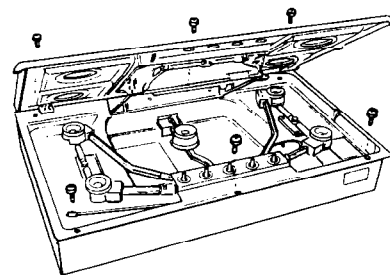
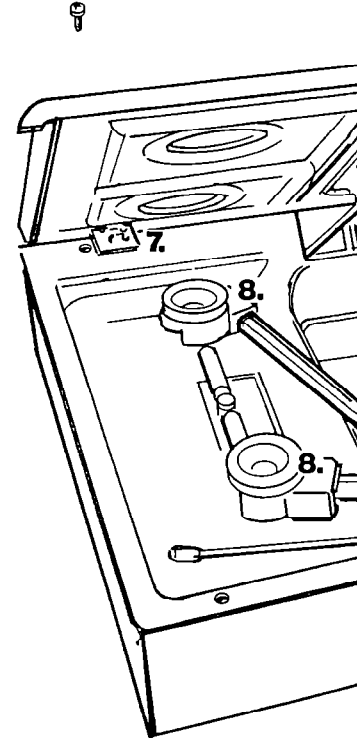
4. Insert burner box into countertop opening. Center the burner box in the cut-out. Check that front edge of burner box is parallel to front edge of countertop. Mark location of flange holes on countertop. Remove burner box.



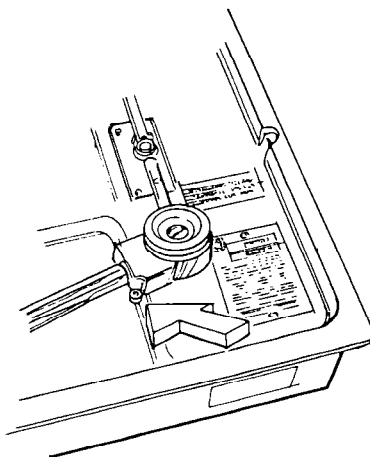
5. Drill holes using drill bit that corresponds with your countertop type.

Countertop type	Drill bit size:
Wood	3/32" diameter or No. 42
Formica/Steel on plywood	1/16" diameter or No. 6
Steel Only	.1405" diameter or No. 8-32 x 1/2" No. 1 slotted oval head thread cutting screws will be required (not supplied).

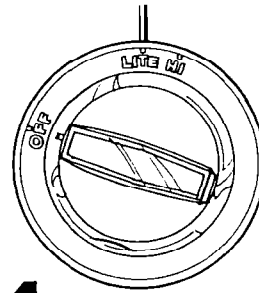
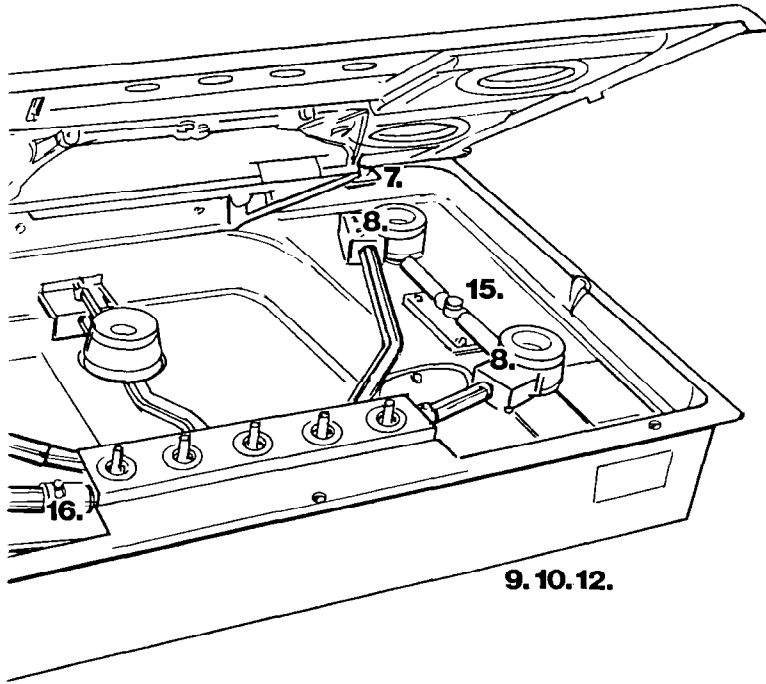
6. Re-set burner box in countertop opening. Check that front flange is parallel with front edge of countertop.



7. Use six screws from parts bag to attach burner box flange to countertop.



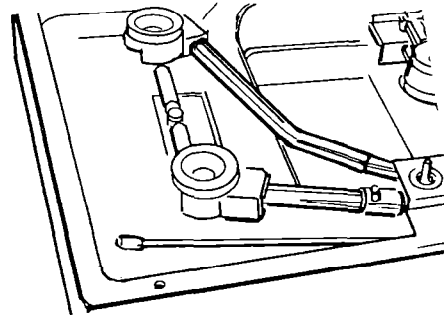
8. Remove the four shipping screws from the burners.



14. Check the operation of the cooktop burners. Push in and turn each control knob to "LITE" position. The flame should light within 4 seconds. Do not leave the knob in the "LITE" position after burner lights.

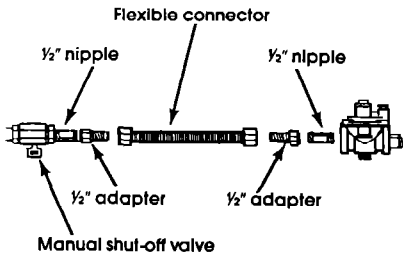


15. After burner lights, turn control knob to "HI" position. Check each cooktop burner for proper flame. The small inner cone should have a very distinct blue flame 1/4" to 1/2" long. The outer cone is not as distinct as the inner cone.



16. If burners need adjusting for proper flame, adjust the air shutter to the widest opening that will not cause the flame to lift or blow off of the burner. Repeat as necessary with each burner.

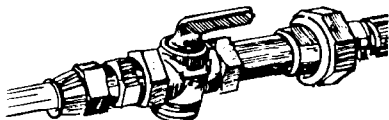
Callout numbers correspond to steps.



9. Assemble the flexible connector from the gas supply pipe to the pressure regulator in order: manual shut-off valve, 1/2" nipple, 1/2" adapter, flexible connector, 1/2" adapter, and 1/2" nipple.

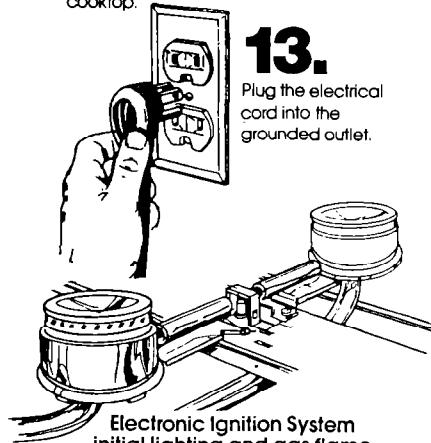
WARNING: THE REGULATOR IS DIE CAST. IF THE CONNECTION IS MADE TOO TIGHT, IT WILL CRACK RESULTING IN A GAS LEAK AND POSSIBLE FIRE OR EXPLOSION.

10. Use pipe joint compounds resistant to the action of L.P. gas to seal all gas connections. If flexible connectors are used, be certain connectors are not kinked.



11. Open the shut-off valve in the gas supply line. Wait a few minutes for gas to move through the gas line.

12. Use a brush and liquid detergent to test all gas connections for leaks. Bubbles around connections will indicate a leak. If a leak appears, shut off gas valve controls and adjust connections. Then check connections again. NEVER TEST FOR GAS LEAKS WITH A MATCH OR OTHER FLAME. Clean all detergent solution from cooktop.



13. Plug the electrical cord into the grounded outlet.

Electronic Ignition System initial lighting and gas flame adjustments.

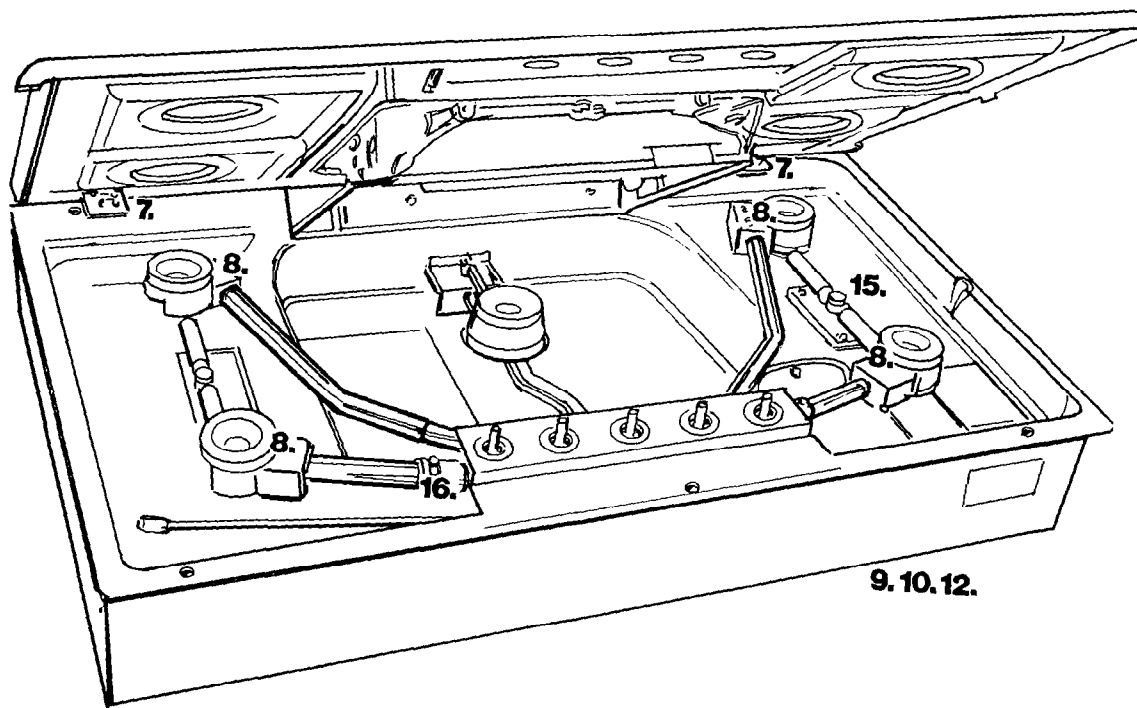
Electronic ignition systems operate within wide voltage limits but proper grounding and polarity is necessary. In addition to checking that the outlet provides 120 volt power and is correctly grounded, the outlet must be checked by a qualified electrician to see if it is wired with correct polarity.

Cooktop burners use electronic igniters in place of standing pilots. When the cooktop control knob is turned to the "LITE" position, the system creates a spark to light the burner. This sparking continues until the control is turned to the desired setting.

You have just finished installing your new Whirlpool cooktop. To get the most efficient use from your new cooktop, read your Whirlpool Use & Care

Congratulations!

Guide. Keep installation instructions and Guide close to cooktop for easy reference. The instructions will make re-installing your Whirlpool cooktop in another home as easy as the first installation.



Callout numbers correspond to steps.

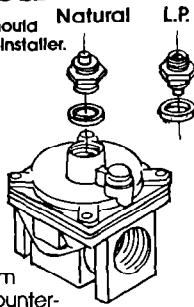
L.P. Gas Conversion

Converting to L.P. gas should be done by a qualified installer.

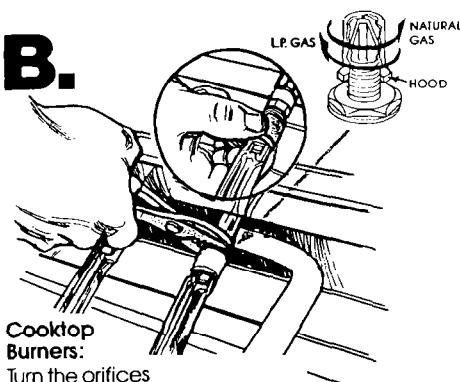
A. Only a qualified installer should install or adjust your gas range.

Pressure Regulator:

Use a wrench to unscrew the cap from the top by turning counter-clockwise. Turn the cap over so the hole end is up. Replace the cap and gasket on the regulator. **DO NOT REMOVE THE PRESSURE REGULATOR.**



B.



Cooktop Burners:

Turn the orifices hood down until snug against pin. **DO NOT OVERTIGHTEN.** Adjust the air shutters for proper flame by sliding the air shutter to close or open the shutter as needed. See Panel C, Step 15 for electrical ignition systems.

C. After all the burners have been converted to L.P. gas usage and gas line is connected, check for leaks. Use a brush and liquid detergent to test **all** gas connections for leaks. Bubbles around connections will indicate a leak. If a leak appears, shut off gas valve controls and adjust connections. Then check connections again. **NEVER TEST FOR GAS LEAKS WITH A MATCH OR OTHER FLAME.**

