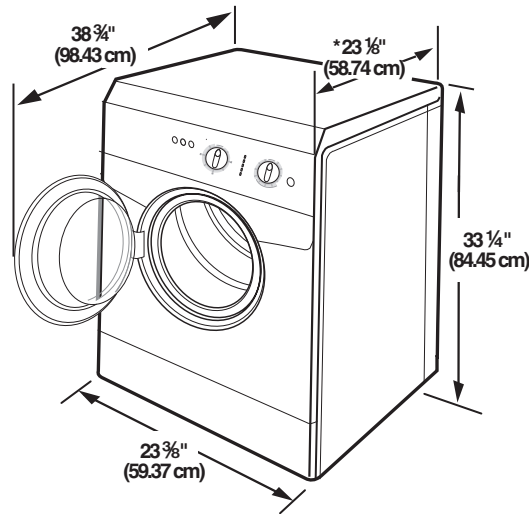


PRODUCT MODEL NUMBERS

LHW0050P

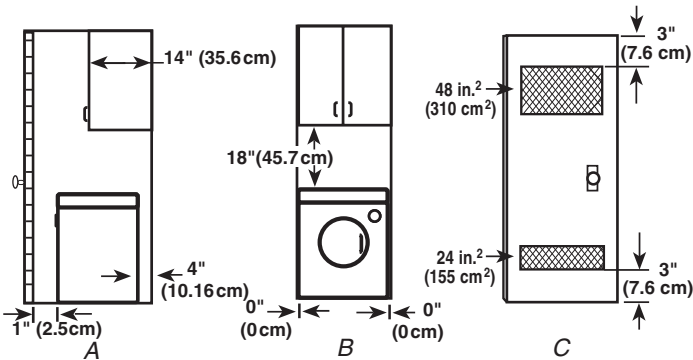
Electrical: A 120-volt, 60-Hz., AC-only, 15- or 20-amp fused electrical supply is required. A time-delay fuse or circuit breaker is recommended. It is recommended that a separate circuit serving only this appliance be provided.

REQUIREMENTS



RECESSED OR CLOSET INSTALLATION

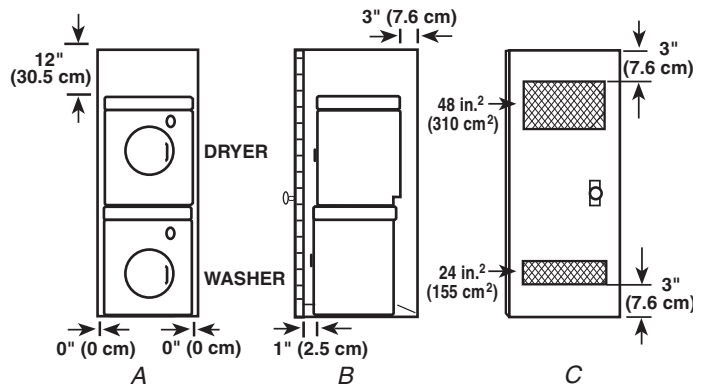
Washer only



A. Side view - closet or confined area
 B. Recessed area
 C. Closet door with vents

- Additional spacing should be considered for ease of installation and servicing.
- Additional clearances may be required for wall, door and floor moldings.
- Additional spacing of 1" (2.5 cm) on all sides of the washer is recommended to reduce noise transfer.

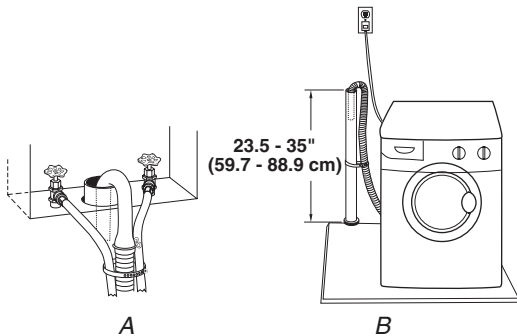
Stacked with stack kit (accessory)



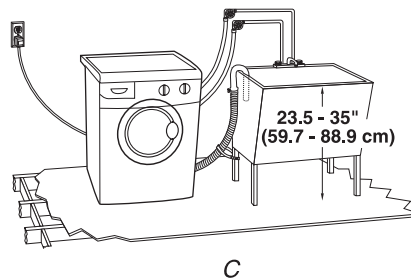
A. Recessed area
 B. Side view - closet or confined area
 C. Closet door with vents

- If a closet door is installed, the minimum air openings in the top and bottom of the door are required. Louvered doors with air openings in the top and bottom are acceptable.
- Companion appliance spacing should also be considered.

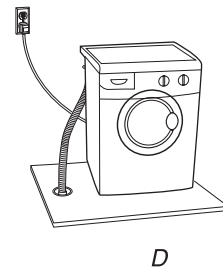
DRAIN SYSTEM OPTIONS



Standpipe drain system - wall or floor (views A & B)
 The standpipe drain requires a minimum diameter standpipe of 2" (5 cm). The minimum carry-away capacity can be no less than 4.2 gal. (15.9 L) per minute. A 2" (5 cm) diameter to 1" (2.5 cm) diameter standpipe adapter kit is available. The top of the standpipe must be at least 23.5" (59.7 cm) high.



Laundry tub drain system (view C)
 The laundry tub requires a minimum carry-away capacity of 4.2 gal. (15.9 L) per minute. The top of the laundry tub must be at least 23.5" (59.7 cm) above the floor and no higher than 72" (183 cm) from the bottom of the washer.



Floor drain system (view D)
 The floor drain system requires a siphon break that may be purchased separately. The siphon break must be a minimum of 28" (71 cm) from the bottom of the washer. Additional hoses might be needed. The minimum carry-away capacity can be no less than 4.2 gal. (15.9 L) per minute.