



HOW TO MAKE A HOME RUN.™

Installation

GUIDE

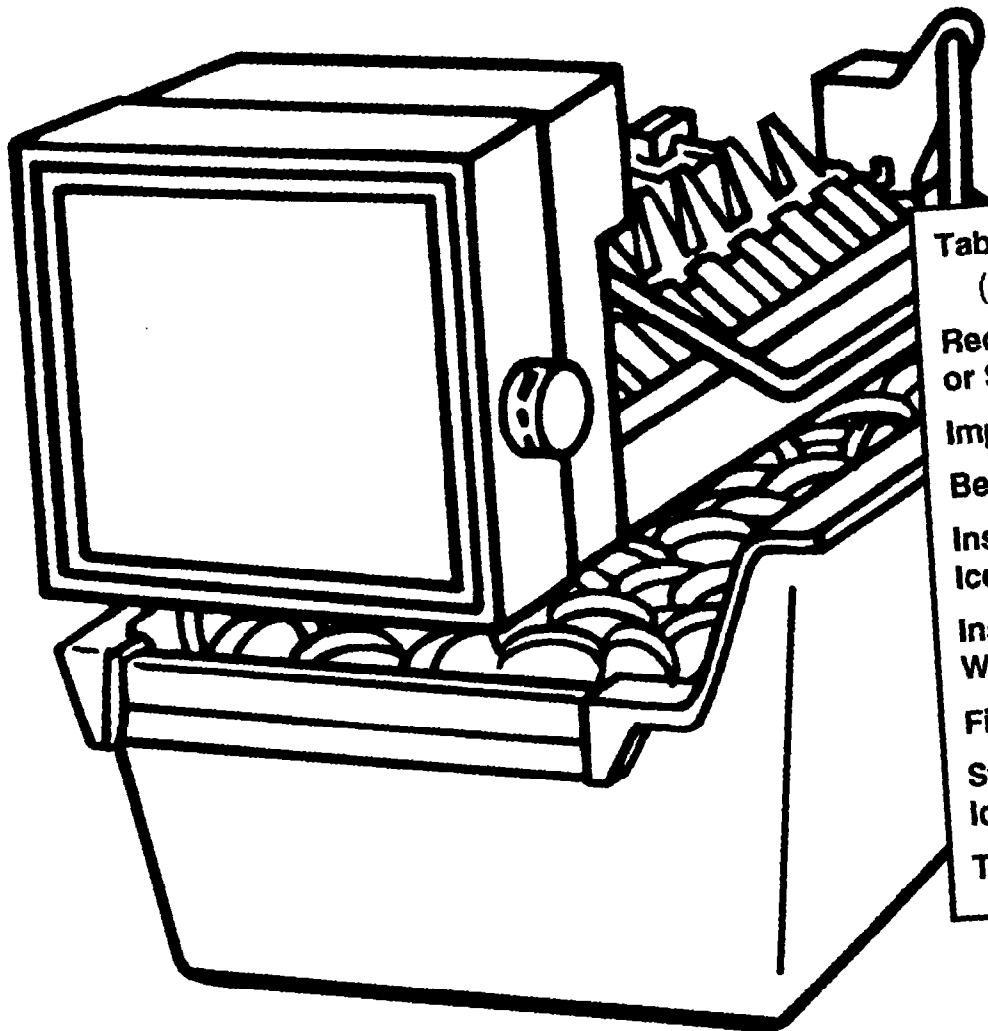


Table of Contents (complete)	2
Requesting Assistance or Service	2
Important Information ...	3
Before You Begin	4
Installing the Ice Maker	6
Installing the Water Line	16
Final Installation	22
Starting the Ice Maker	24
Troubleshooting	25

MODULAR ICE MAKER KIT

4/95

Table of Contents

	Page		Page
Requesting Assistance or Service	2	Routing the copper tubing	17
Important Information	3	Installing the shut-off valve	18
Before You Begin	4	Connecting the copper tubing to the shut-off valve	19
Tools	4	Connecting the copper tubing to the water valve	20
Installation notes	4	Turning the water on	21
Important safety instructions	4	Final Installation	22
Components	5	Installing the access cover and forming the copper tubing	22
Installing the Ice Maker	6	Connecting the power/ leveling the unit	23
Making preparations	6	Starting the Ice Maker	24
Side-by-side models	7	Troubleshooting	25
Top/bottom freezer models	9	Operational notes	25
Installing the tubing clips	10	Troubleshooting chart	25
Preparing the water valve tubing (for bottom freezers only)	11	The modular ice maker service sheet	26
Mounting the water valve	12	Ice maker replacement parts list	27
Connecting the water valve tubing	13		
Mounting the ice maker	14		
Installing the Water Line	16		
Choosing a location	16		

Requesting Assistance or Service

If you need assistance, contact your dealer, or see the Warranty that is included with this kit for a toll-free number to call.

If you are not satisfied with how a problem is solved, contact the Major Appliance Consumer Action Program (MACAP). MACAP consists of a group of independent consumer experts that voices consumer views at the highest levels of the major appliance industry.

Contact MACAP only when the dealer, authorized servicer, and Whirlpool have failed to resolve your problem.

Write to:

Major Appliance Consumer Action Program
20 North Wacker Drive
Chicago, IL 60606

MACAP will, in turn, inform us of your action.

Important Information

The following information is used throughout this Installation Guide. Read it carefully so you are familiar with it.

⚠ WARNING

Information that alerts you to potentially dangerous conditions. These conditions can cause serious personal injury if the suggested procedures are not observed.

- This Installation Guide gives you complete instructions on how to install the Ice Maker Kit in your refrigerator-freezer and connect a water line to it. Please read the guide carefully and follow the instructions exactly as described. Also, make sure that you observe all of the “safety” instructions.
- This kit is designed so that almost anyone can install it; however, a certain amount of mechanical ability is required.
- Before you start to install your Ice Maker Kit, you will have to purchase a copper tubing kit that contains a “Regular Valve and Clamp Assembly” (for refrigerators with an automatic ice maker, or self-filling trays). The kit contains all of the hardware necessary to connect your ice maker to the water supply. You can purchase one at most hardware or plumbing supply stores.
- **DO NOT USE PIERCING-TYPE, OR $\frac{3}{16}$ ” SHUT-OFF VALVES.** They reduce the flow of water to the ice maker, and are easily clogged.
- **DO NOT USE POLYETHYLENE TUBING** to connect the ice maker to the water line. Use only $\frac{1}{4}$ ” (O.D.) copper tubing.

CUSTOMER INSTALLATION IS NOT WARRANTED BY THE REFRIGERATOR OR ICE MAKER MANUFACTURER.

Before You Begin

Tools

You will need these tools to install your kit.

1. Regular screwdriver
2. Phillips screwdriver
3. $\frac{7}{16}$ " and $\frac{1}{2}$ " open-end wrenches (or an adjustable wrench)
4. Pliers
5. $\frac{1}{4}$ " nut driver
6. Hand drill with $\frac{1}{4}$ " drill bit
7. Small hand level (optional)
8. Small $\frac{3}{4}$ -round file
9. Tubing cutter
10. Center punch
11. Hammer
12. Scissors
13. Ruler
14. Step stool (optional)

Installation notes

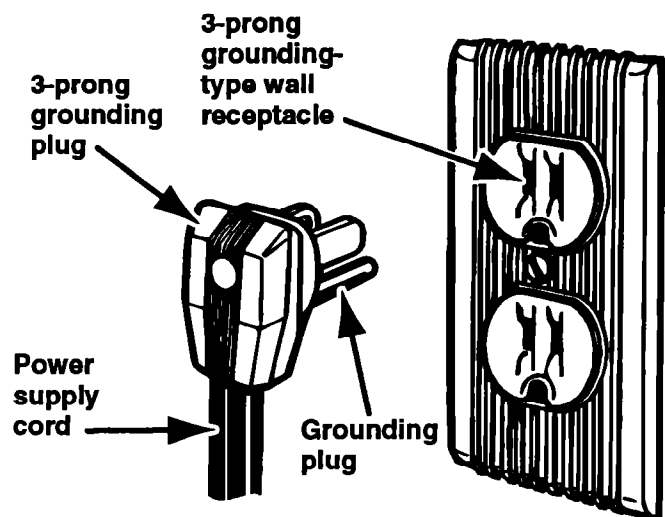
1. Follow the instructions carefully. Read through the entire step so that you understand it before you perform it.
2. The illustrations in this Installation Guide are meant to clarify the installation steps you need to perform. For each set of steps shown, refer to the diagram immediately beside or below the text for clarification. Some illustrations also contain "DETAILS." DETAILS are contained in bubbles alongside the larger illustration. A DETAIL shows a close-up illustration of a certain portion of a diagram or an illustration of a specific step you are to perform. DETAILS are labeled A, B, or C and are clearly referenced in each step.
3. When you are instructed to install a part, position the part as shown in the illustration.

Important safety instructions

⚠ WARNING

Electrical Shock Hazard

If you intend to use power tools, such as an electric drill, during the installation, make sure that the AC receptacle is properly grounded in accordance with the National Electrical Code (ANSI/NFPA 70) and all local codes and ordinances. The tools must have a 3-prong grounding plug (see illustration) to minimize the danger of electrical shock. If a mating receptacle is not available, it is the personal responsibility of the customer to have a properly grounded 3-prong wall receptacle and plug installed by a qualified electrician. Failure to follow this instruction could result in death or personal injury.



Correct power receptacle and plug configuration

Components

Remove the contents from the shipping carton and set them on a table where they can be easily identified and located. Check all of the components in the kit against the following list to help you become familiar with them. When you identify a component, place a check mark (✓) after it. The KEY numbers correspond to the "Component Illustrations."

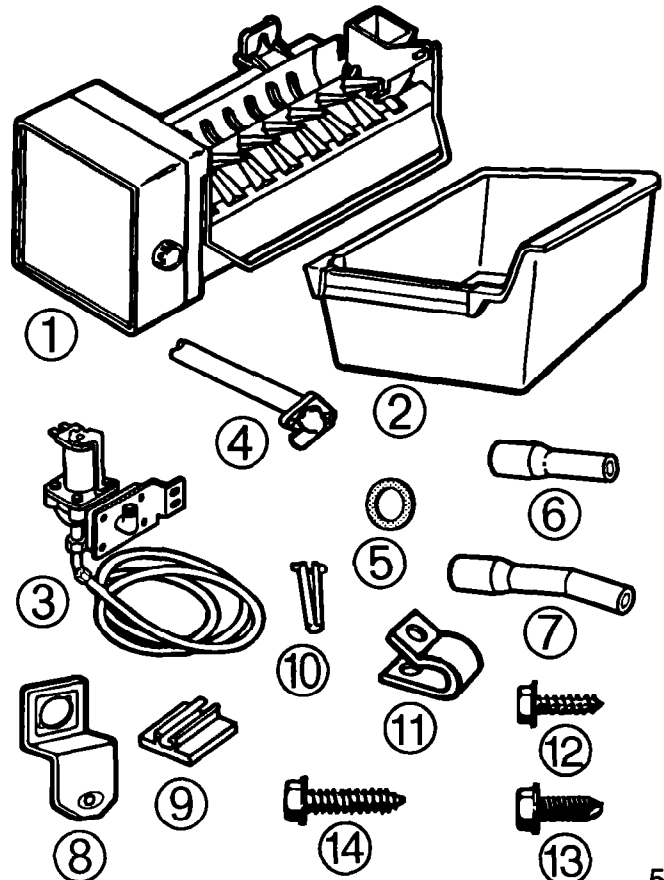
IMPORTANT: When you remove the water valve and flexible tubing from the styrofoam packing insert, do not remove the tubing from the valve. It has been factory-installed and leak-tested. Do not disturb the compression nut that connects the tubing to the valve, or the valve may leak after you connect it to the water supply.

Do not discard any of the packing material until you account for all of the components. If you need to order a replacement part for the Ice Maker, a replacement parts list is provided on page 27.

KEY	QTY.	DESCRIPTION
1	1	Ice maker
2	1	Ice bucket
3	1	Water valve w/tubing
4	1	Fill tube
5	1	Gasket
6	1	Short extension tube
7	1	Long extension tube*
8	2	Ice maker clips*
9	2	Tubing clips
10	1	Metal water tube insert
11	1	Water valve tubing clamp
12	4	½" hex-head sheet-metal screws
13	2	½" hex-head machine screws
14	2	¾" hex-head sheet-metal screws

* For installation in Side-By-Side Models only.

COMPONENT ILLUSTRATIONS



Installing the Ice Maker

Making preparations

Refer to the illustration below for the following steps.

1. Carefully pull the refrigerator away from the wall so that you can easily access the rear panel.

⚠ WARNING

Electrical Shock Hazard

Unplug the refrigerator's power cord from the AC wall outlet.

Failure to do so could result in death or serious injury.

IMPORTANT: If you have a side-by-side model refrigerator-freezer, be careful when you open the freezer door to work inside that you do not force the door against the stop at the bottom of the door. If you bend the stop, the door will not close properly.

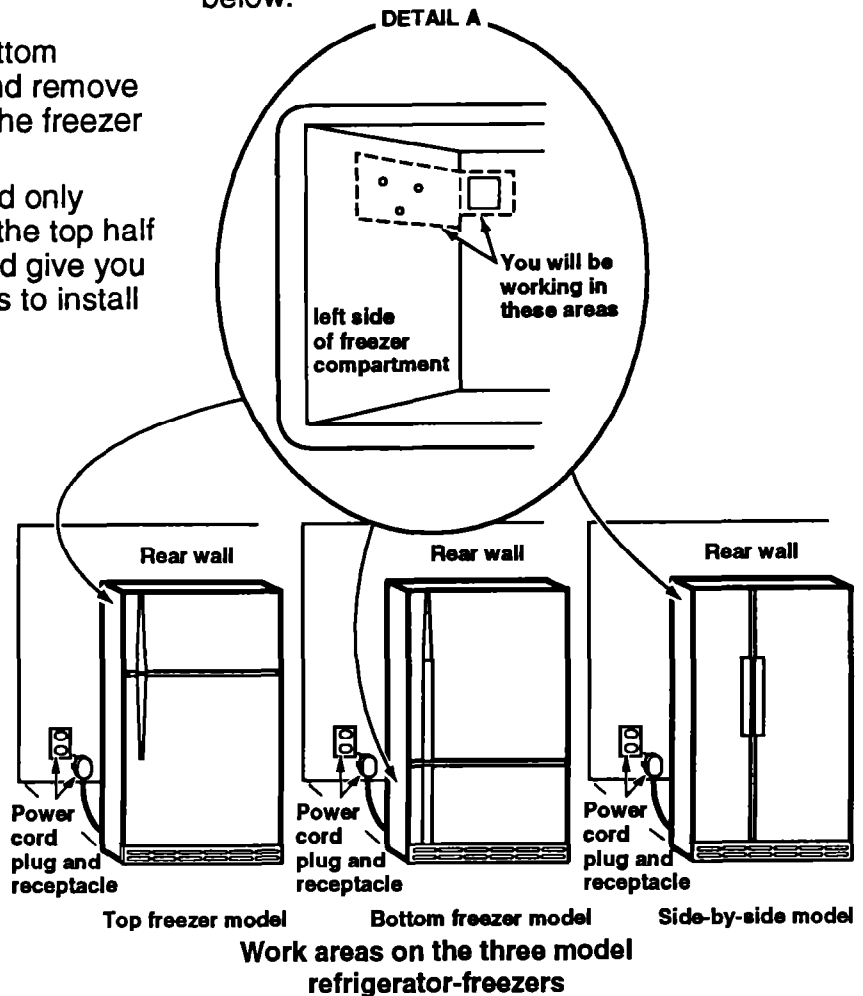
2. On appliances with a top or a bottom freezer, open the freezer door and remove all of the food items from inside the freezer compartment.
For side-by-side units, you should only have to remove food items from the top half of the freezer section. This should give you enough room to access the areas to install the ice maker.

3. On an appliance with a bottom freezer, remove the slide-out basket, the ice cube trays, and the wire ice cube holder (if necessary, refer to your "Use and Care Guide" for the procedure). Set these items aside.

On top-mount models without a full-width freezer shelf, remove the ice tray shelf. Place the shelf aside, as you will use it later to support the ice bucket.

If you have a side-by-side model refrigerator, proceed to "Side-by-side models" on page 7. If you have a refrigerator with a top or a bottom freezer, proceed to "Top/bottom freezer models" on page 9.

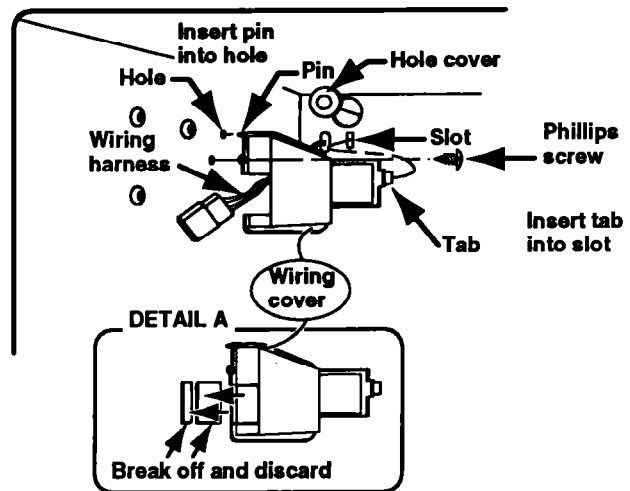
NOTE: The work area for all three model refrigerator-freezers is shown in DETAIL A below.



Side-by-side models

Refer to the side diagram for the following steps. You will be working inside the freezer compartment.

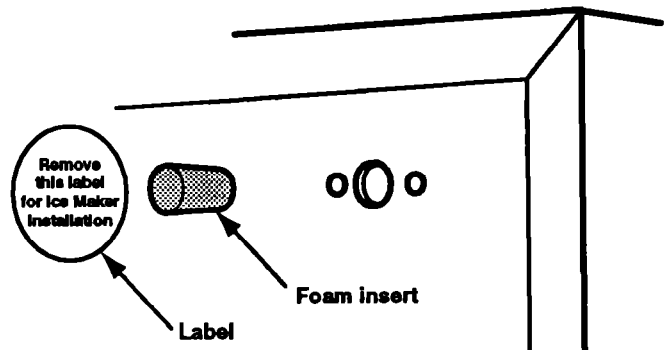
1. Remove the phillips screw from the ice maker wiring cover and remove the cover.
2. Refer to DETAIL A, and with a pair of pliers, break away the tabs from the wiring cover and discard them.
3. Insert the blade of a small screwdriver under the edge of the round hole plug for the fill tube, (located at the back of the freezer liner), and pry it out. You can discard the plug.



Ice maker wiring cover

Refer to the side diagram for the following steps. You will be working on the outside at the rear of the cabinet.

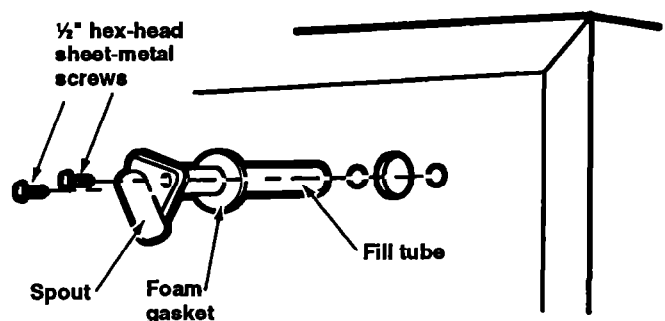
1. In the upper right corner of the cabinet, peel off the label that is over the fill tube hole.
2. Pull the foam insert out of the fill tube hole and discard it.



Removing the label and foam plug

Refer to the side diagram for the following steps.

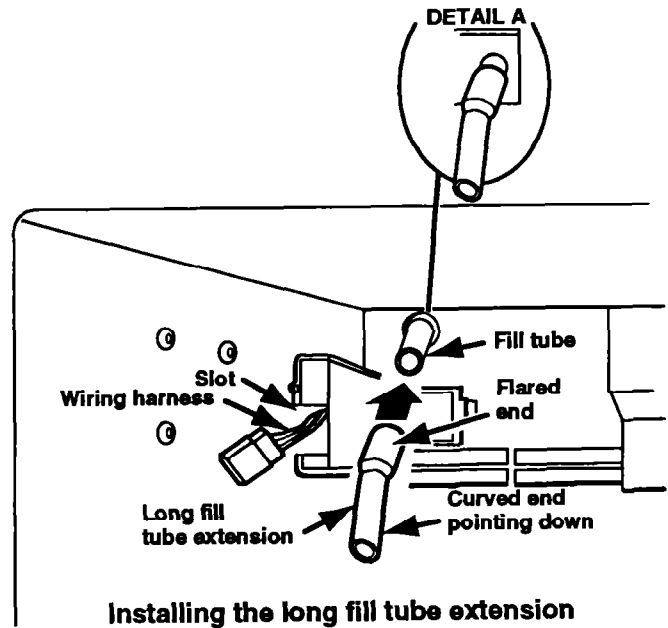
1. Locate the fill tube and the round foam gasket from the ice maker kit (the gasket may already be installed on the fill tube). If not already done, slide the gasket over the end of the fill tube.
2. Insert the fill tube through the hole in the rear of the refrigerator with the spout facing down, and secure it with two 1/2" hex-head sheet-metal screws.



Installing the fill tube/gasket

Refer to the side diagram for the following step. You will be working inside the freezer compartment.

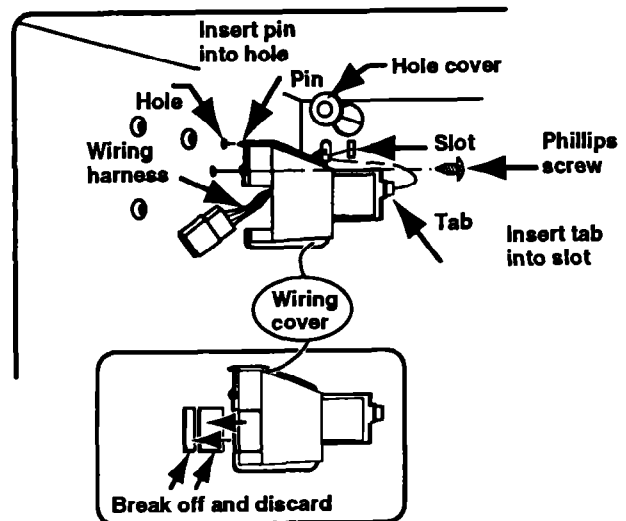
1. Position the long aluminum fill tube extension so that the curve is pointing down, and slide the flared end over the fill tube as far as it will go (see DETAIL A). Some kits may have a long straight plastic extension in place of the long bent aluminum extension. Install the plastic extension by sliding it over the fill tube as far as it will go.



Refer back to the side diagram for the following step.

2. Position the wiring harness so that it is through the slot in the wiring cover. Insert the tab at the back of the wiring cover into the freezer liner slot. Press the pin on the side of the wiring cover into the hole in the side of the freezer liner so it locks into place. Secure the wiring cover with the phillips screw you removed earlier.

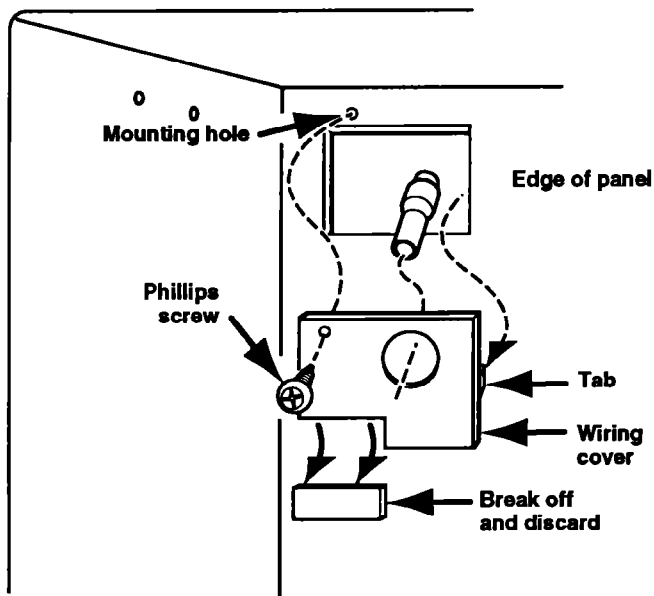
Proceed to "Installing the tubing clips" on page 10.



Top/bottom freezer models

Refer to the side diagram for the following steps.

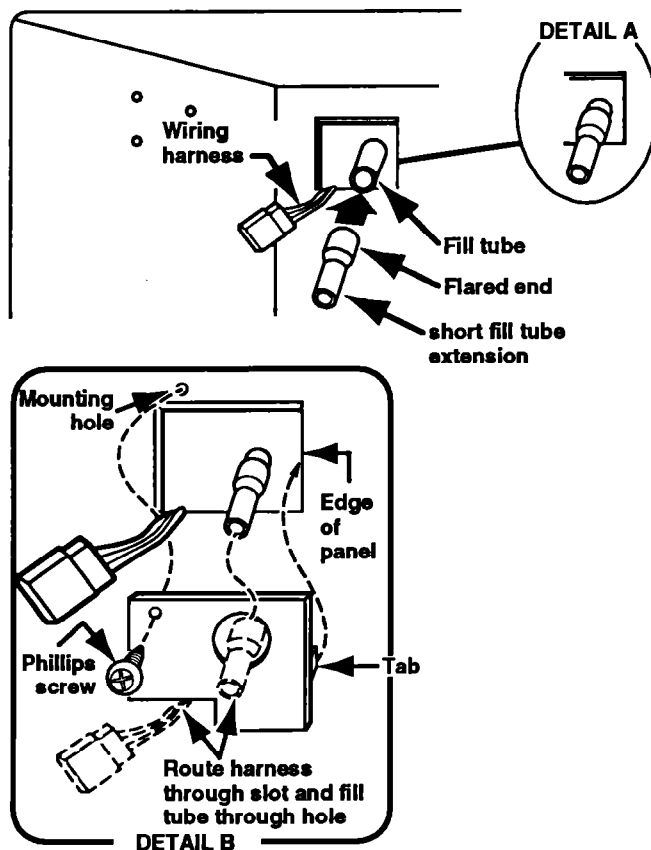
1. Remove the phillips screw from the ice maker wiring cover, unhook the right side tab from the edge of the back cover, and remove the wiring cover.
2. Look at the back side of the wiring cover and note the grooved lines. Use a pair of pliers and bend the areas inside the grooved lines back and forth until they break away from the wiring cover.



Removing the wiring panel

Refer to the side diagram for the following steps.

1. Pull the 4-wire ice maker harness out from behind the freezer's back cover as far as possible, and hang it over the edge of the cutout. Do not remove any other wiring from the cutout.
2. Slide the flared end of the short aluminum fill tube extension or the short plastic fill tube extension over the end of the fill tube as far as it will go (see DETAIL A).
3. Refer to DETAIL B and install the wiring cover over the fill tube with the wiring harness through the slot. Hook the tab in the side of the wiring cover into the slot in the back cover of the freezer, and secure the cover with the phillips screw you removed earlier.



Installing the short fill tube extension and reinstalling the wiring panel

Installing the tubing clips

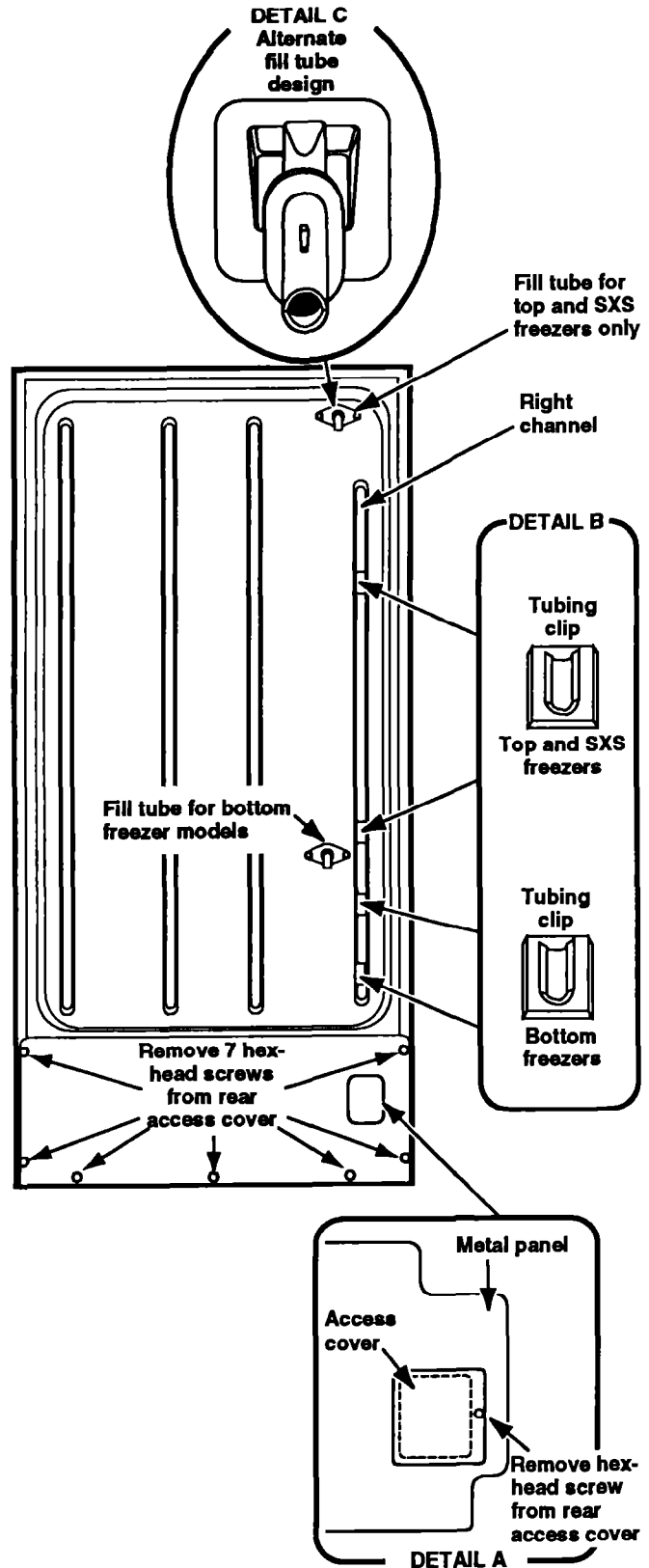
Refer to the side diagram for the following steps.

1. Remove the seven hex-head screws from the rear access cover, then remove the cover and set it aside.

NOTE: If you have a later unit with a metal panel, (see DETAIL A), remove the hex-head screw from the access cover. Discard the cover and its screw. Do not remove the 7 hex-head screws from the larger rear access cover.

2. Peel the backing from the adhesive sides of the tubing clips. Press the clips against the back of the cabinet in the right channel at the approximate locations shown in DETAIL B. Center the clips between the fill tube (an alternate fill tube design is shown in DETAIL C) and the top of the access opening.

If you have a bottom freezer, proceed to page 11. If you have a side-by-side (SXS) or a top freezer unit, proceed to page 12.



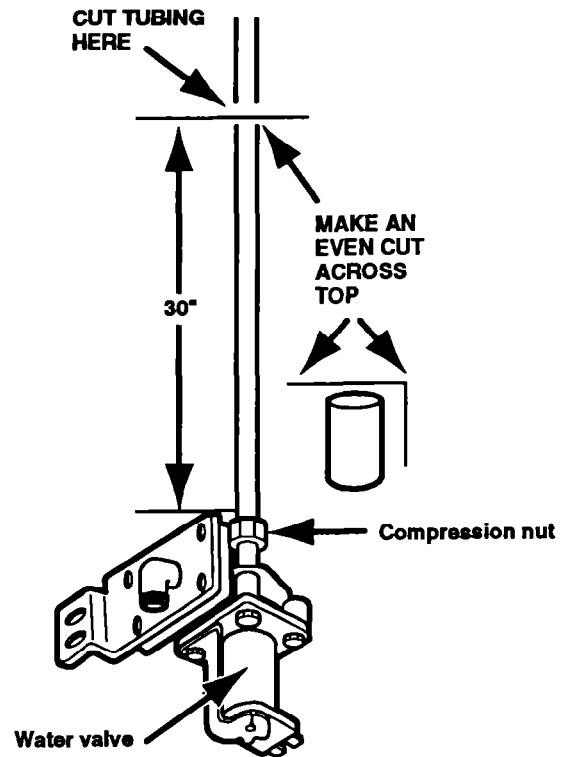
Installing the tubing clips

Preparing the water valve tubing

(for bottom freezers only)

Refer to the side diagram for the following steps.

1. Untape the coiled flexible tubing coming from the water valve and straighten it.
2. Starting at the top of the compression nut on the water valve, measure the tubing for 30", and mark the location on the tubing with a pen.
3. Use a pair of scissors or a hobby knife, and make an even cut across the water valve tubing at the 30" mark you made in the previous step. Discard the excess tubing.

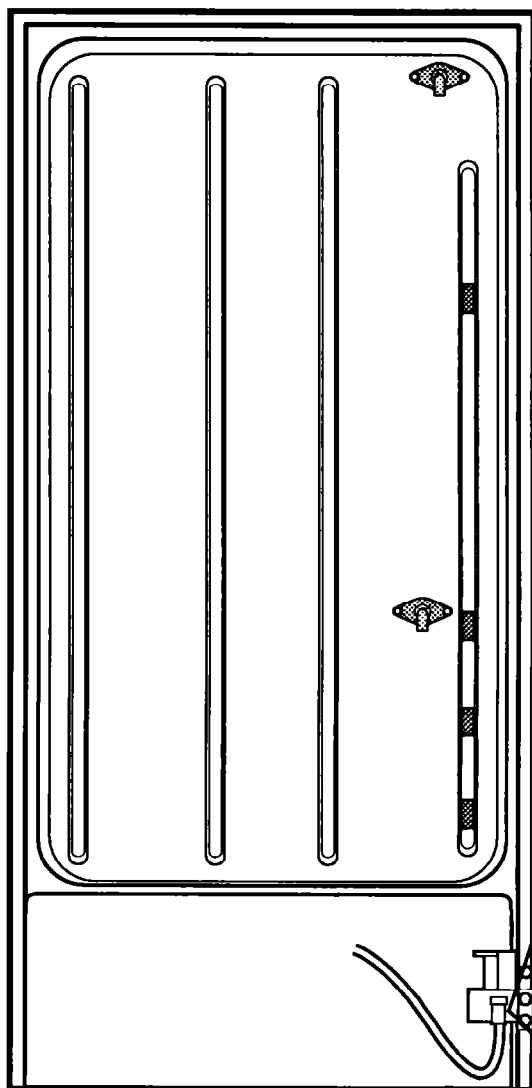


Preparing the water valve tubing
(for bottom freezers only)

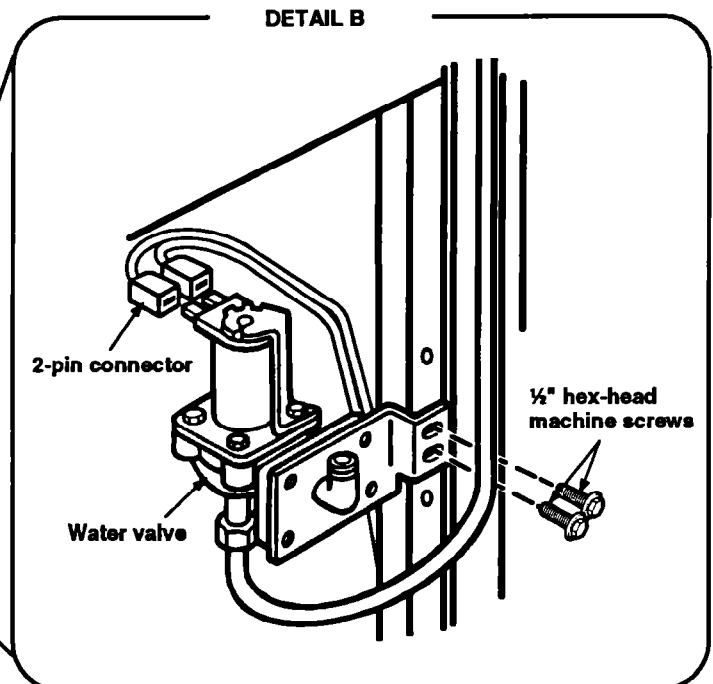
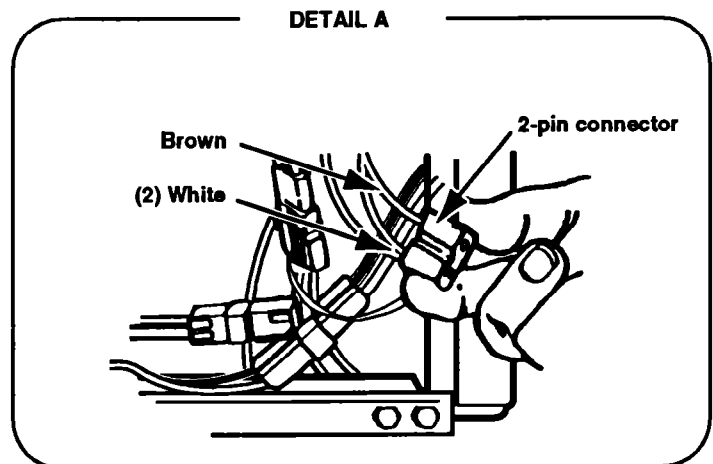
Mounting the water valve

Refer to the diagram below for the following steps.

1. Locate the 2-pin water valve solenoid connector (with the brown and two white wires) that is taped to the main wiring harness at the lower right corner of the rear access (see DETAIL A).
2. Refer to DETAIL B and insert the 2-pin connector over the water valve solenoid terminals as far as possible (if the harness is not long enough, break the tape holding it to the main harness). You can position the connector with the wires at either terminal.
3. Refer to DETAIL B and mount the water valve to the mounting holes in the cabinet frame with two ½" hex-head machine screws. Make sure that you tighten these two screws securely.



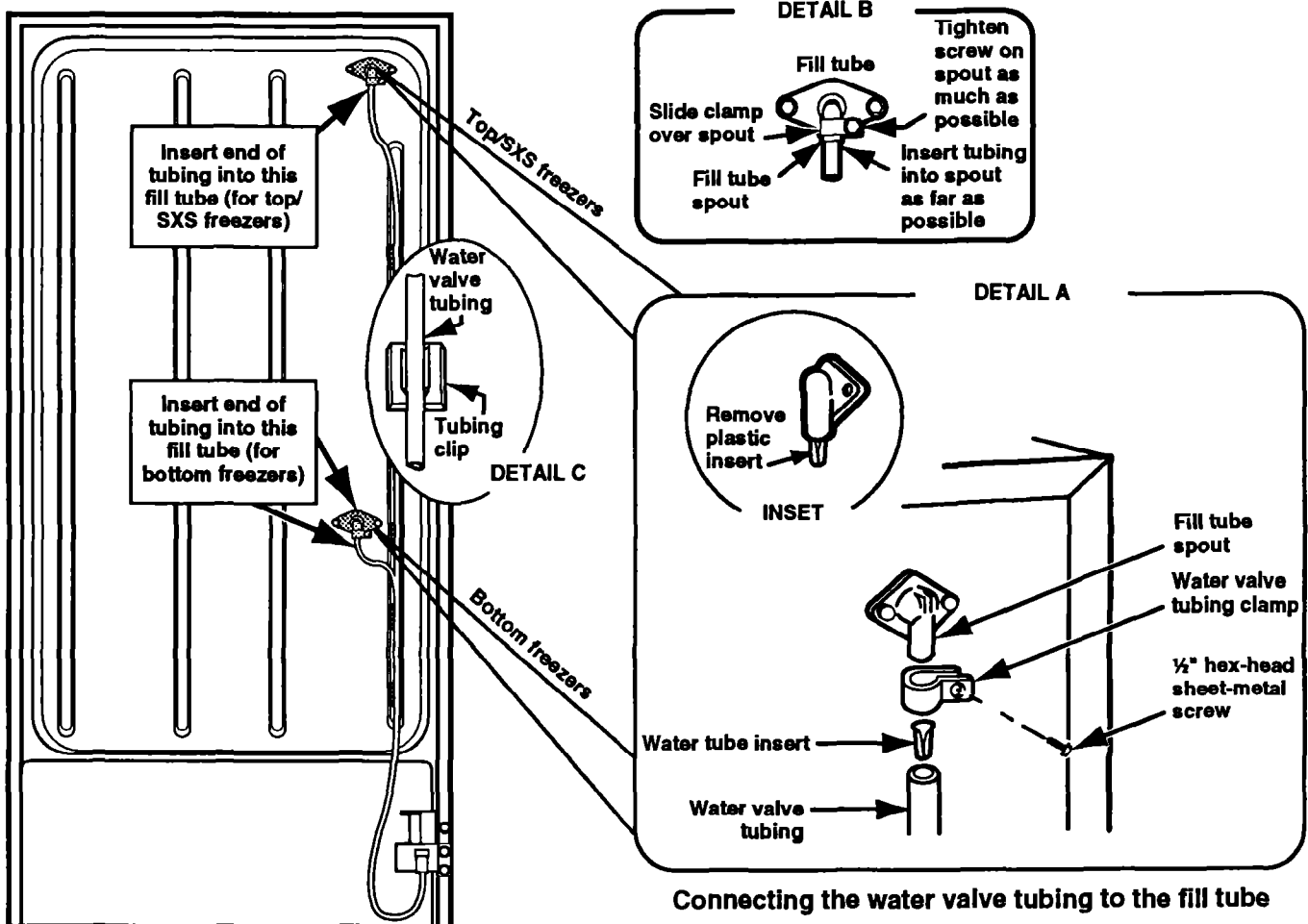
Mounting the water valve



Connecting the water valve tubing

Refer to the diagram below for the following steps.

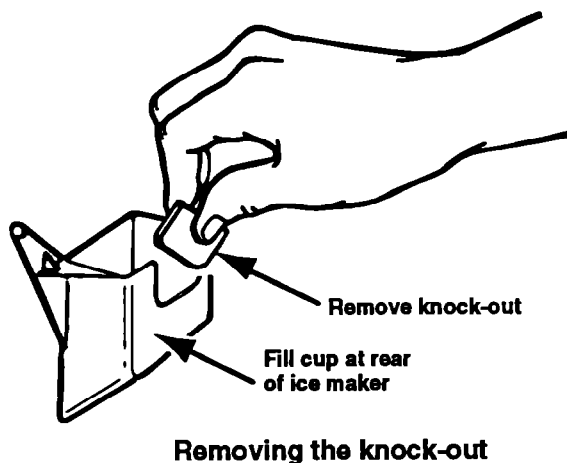
1. Refer to the inset in DETAIL A and pull the plastic insert out of the fill tube spout and discard it.
2. Locate the water valve tubing clamp (from the ice maker kit), and note that one of the flanges is made for a threaded screw and the other side has a round hole. Position this clamp with the round hole side facing up, and slide it over the end of the spout (see DETAILS A and B). Thread a 1/2" hex-head sheet metal screw into the clamp with your fingers as far as possible. You will tighten the screw later.
3. Refer to DETAIL A, and position the metal water tube insert as shown, then press it all the way into the water valve tubing.
4. Refer to DETAIL B, and slide the end of the tubing into the end of the fill tube spout as far as it will go (if the tubing does not reach, pull as much as necessary up through the clips), then tighten the tubing clamp screw as much as possible. Pull on the tubing to make sure that it is secure. If it slides out of the spout, push it back in, and tighten the clamp screw further until the tubing is secure.
5. Press the tubing into the two clips (see DETAIL C) you installed earlier on the back of the cabinet. You will connect the free end of the tubing later.
6. Pull any excess tubing near the fill tube down through the two clamps so it forms a straight line with a loop at the bottom of the water valve.



Mounting the ice maker

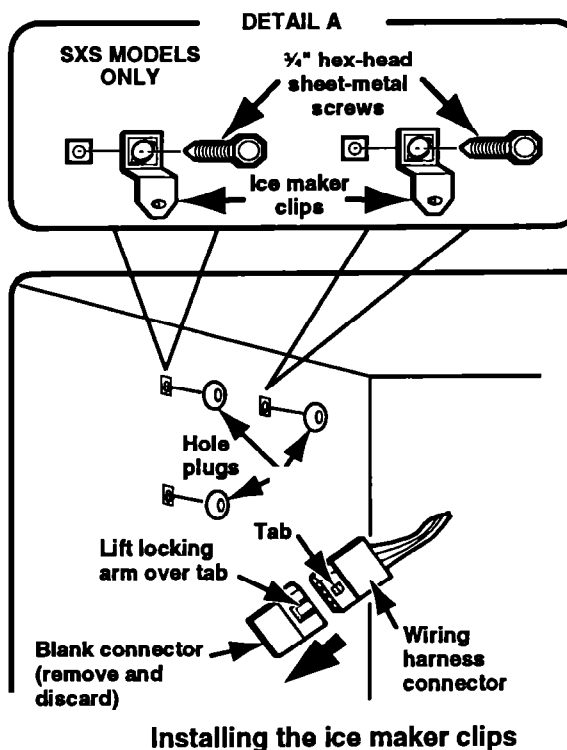
Refer to the side diagram for the following step.

1. Look at the ice maker's fill cup and note that the rear of the cup has a "U" shaped groove (either of the sides may also be grooved). Use your fingers, (or a pair of pliers, if it is easier), and remove only the rear "knock-out" from the cup. Bend the area back and forth inside the groove until it breaks free. The fill tube will fit through this cutout when you install the ice maker.



Refer to the side diagram for the following steps.

1. Remove and discard the blank connector from the wiring harness. To remove it, lift the locking arm on the side of the blank connector so it is over the tab of the wiring harness connector, and pull the blank connector off.
2. Insert the end of a small-bladed screwdriver under the edges of each of the three ice maker mounting hole plugs in the side of the freezer liner, and pry them out of their holes. You can discard the plugs.
3. *For Top/Bottom Freezers Only:* Partially install two $\frac{3}{4}$ " hex-head sheet-metal screws into the two top mounting holes (shown in the diagram) of the freezer liner. You will hang the ice maker over these two screws later, so make sure that they protrude out far enough.

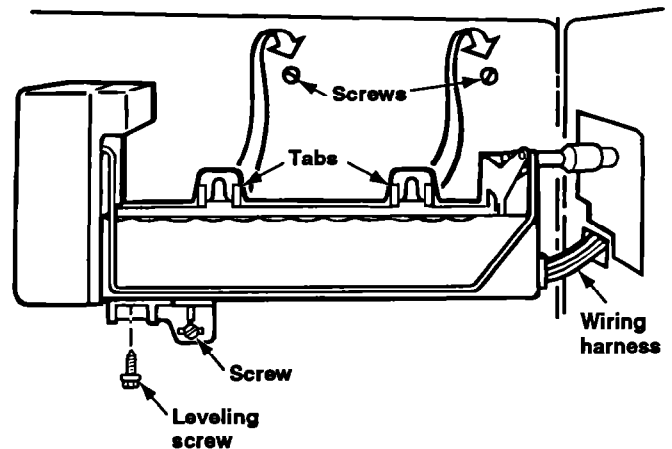


4. *For Side-By-Side Models Only:* Refer to DETAIL A and mount the two mounting clips (from the ice maker kit) to the top mounting holes of the freezer liner with two $\frac{3}{4}$ " hex-head sheet-metal screws. Make sure that both clips hang straight down and then tighten the screws.

Refer to the side diagrams for the following steps.

1. Position the ice maker inside the freezer compartment and connect its wiring connector to the wiring harness connector so they lock together (the locking arm will snap over the raised tab). The connectors will fit together only one way.

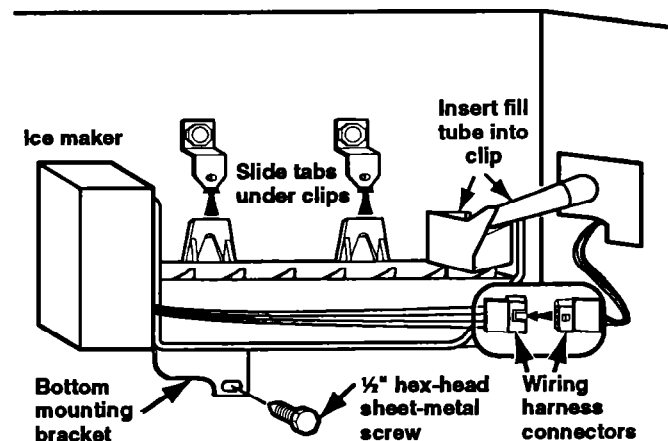
2. *For Top/Bottom Freezers Only:* Hang the ice maker over the two hex-head screws you installed earlier. Make sure that the bottom mounting bracket hole is aligned with the mounting hole in the freezer liner, then tighten the two top hex head screws. Be careful not to overtighten the screws.



**Mounting the ice maker
(top and bottom freezers)**

3. *For Side-By-Side Models Only:* Position the ice maker so that its top and bottom mounting tabs are flat against the side of the freezer liner. Center the top tabs under the two mounting clips, and push the ice maker straight up so that the mounting clips snap over the tabs and lock into place (you should hear them “click” as they lock).

4. Mount the bottom bracket of the ice maker to the freezer liner mounting hole with a $\frac{3}{4}$ " hex-head sheet-metal screw.



**Mounting the ice maker
(side-by-side models)**

Installing the Water Line

Choosing a location

1. Open the copper tubing kit that you purchased earlier, and lay the contents neatly on a table where you can identify them easily. The parts from the kit that you will use are as follows:

- 1 Regular Valve (not the steel-piercing type)
- 2 Compression Sleeves
- 2 Compression Nuts
- 2 Clamps
- 2 Screws
- 2 Nuts
- 1 Gasket Seal
- 1 Length of Coiled Copper Tubing

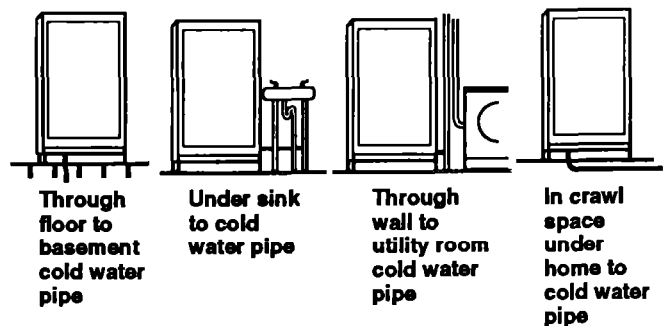
NOTE: When you work with the soft copper tubing, be careful not to kink it. If you accidentally kink the tubing, do not use it.

IMPORTANT: Do not install water line tubing in a location where the temperature may fall below freezing; otherwise, property damage could occur.

2. Choose a suitable water pipe location to install the water shut-off valve (see side diagram for some suggested locations). We recommend installing the valve on a vertical length of cold (not hot) water pipe that is nearest your refrigerator. If a vertical length of pipe is not nearby, you can use a horizontal length of water pipe, however, you will have to drill the access hole for the valve into the top or side of the pipe (not the bottom). This will keep water in the pipe from flowing down onto the drill, and also keep sediment from collecting in the valve later.

NOTE: Depending on the location of the horizontal pipe in relation to the floor and wall, drilling into it may not be possible.

3. Drill a $\frac{3}{8}$ " hole through the floor or wall to the water pipe.



Typical water pipe locations

⚠ WARNING

Electrical Shock Hazard

Make sure there are no electrical wires underneath the floor where the hole is to be drilled.

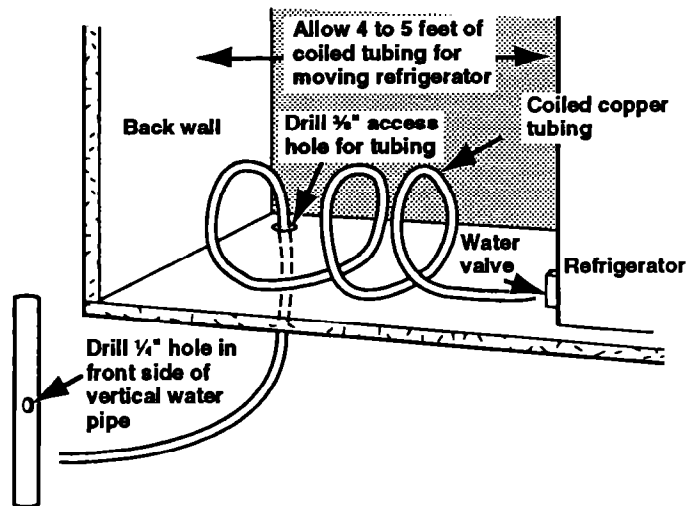
Before drilling, put on safety glasses to avoid eye injury.

Failure to follow these instructions could result in death or personal injury.

Routing the copper tubing

Refer to the side diagram for the following steps.

1. Uncoil the necessary length of copper tubing and straighten it, then route the end of the tubing through the access hole you drilled to the location you have chosen to install the shut-off valve. Straighten only enough of the copper tubing to reach this location. Leave the rest coiled near the access hole.
2. At this time, make sure that you have been supplied with enough tubing so that when you are finished connecting the water line, you will have enough coiled behind the refrigerator to easily move it forward far enough to clean behind it. Also make sure that the coils are large enough so that when the unit is pulled forward, the windings will not stretch too far and kink.
3. Turn off the cold water supply going to the water pipe where you will be installing the shut-off valve.
4. Open a cold water tap that is connected to the selected water pipe and bleed off the water pressure. Leave the tap open until after you complete the water line hook up.
5. Use a hammer and a center punch, and mark the location of the hole for the shut-off valve. If you are marking copper tubing, do not strike the punch hard enough to bend it.
6. Install a $\frac{1}{4}$ " bit in the drill, and carefully drill an access hole through just the front side (not through both sides) of the cold water pipe.
7. Check the hole and make sure that you have drilled completely through one side of the pipe. The edges of the hole should be smooth and round. If necessary, use a small $\frac{3}{4}$ -round file to remove any rough edges from inside the hole, and any burrs from around the top of the hole.



Routing the copper tubing

⚠ WARNING

Electrical Shock Hazard

If you are using an electric drill, make sure it is properly grounded. Some water usually remains in the pipe, and could enter the drill while you are using it.

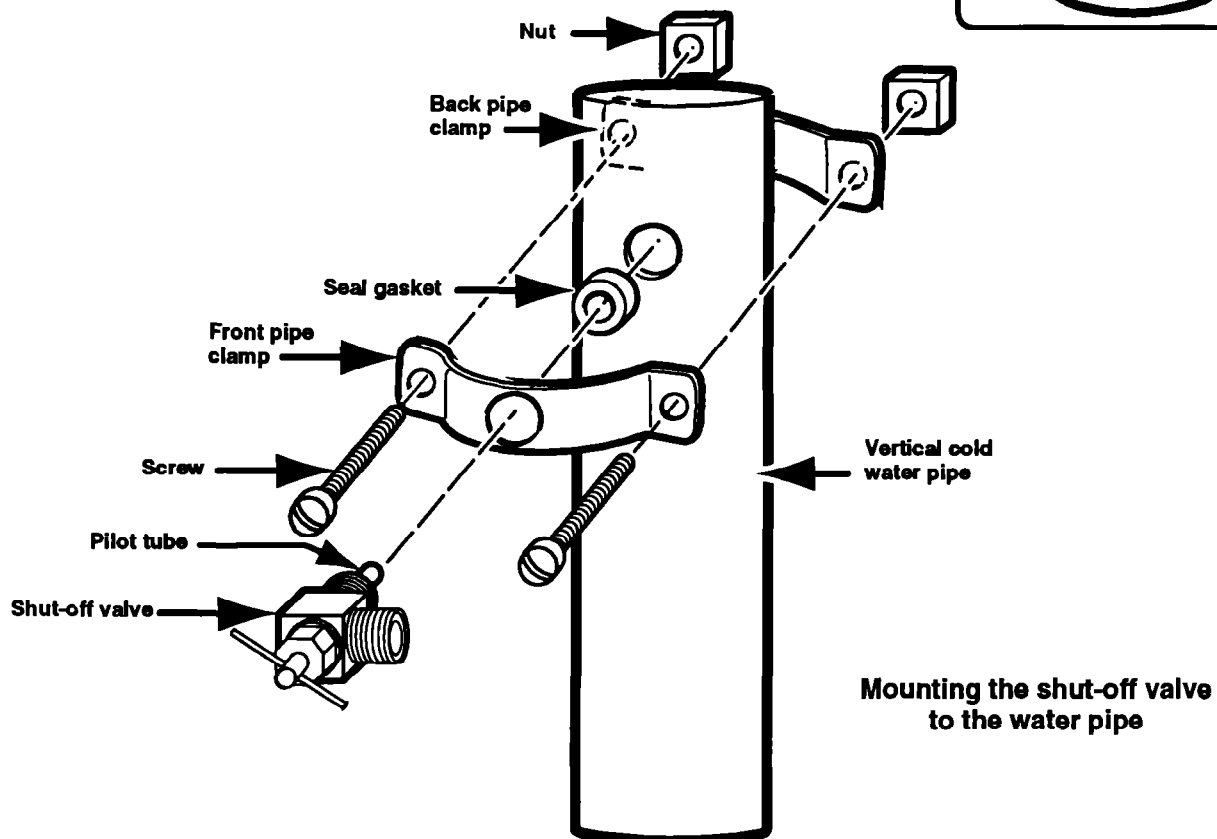
Before drilling, put on safety glasses to avoid eye injury.

Failure to follow these instructions could result in death or personal injury.

Installing the shut-off valve

Refer to the diagram below for the following steps.

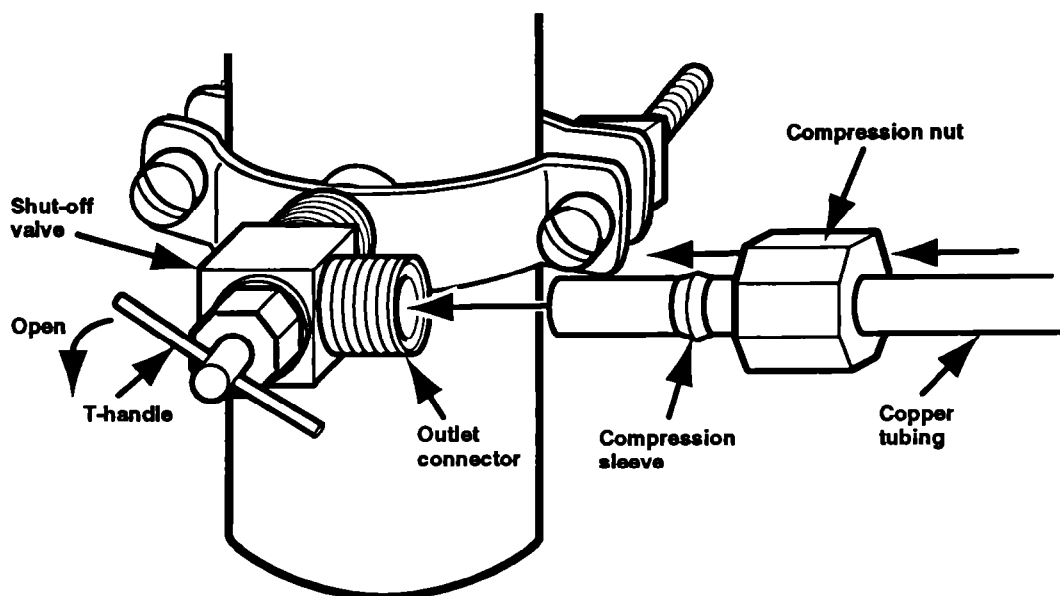
1. Locate the shut-off valve and the front pipe clamp (with the threaded hole in the center) from the copper tubing kit. Then, being careful not to crossthread the valve, screw the end with the pilot tube into the threaded hole of the clamp. Hand-tighten the valve as far as it will go (the threaded shaft is slightly tapered and can only be tightened so far).
2. Use a $\frac{1}{2}$ " open-end (or adjustable) wrench, and turn the body of the shut-off valve an additional $\frac{1}{8}$ -turn to secure it to the clamp.
3. Slide the rubber seal gasket (from the copper tubing kit) over the pilot tube (the unthreaded portion) of the shut-off valve.
4. Carefully slide the pilot tube of the shut-off valve into the water pipe access hole so it is against the seal gasket, and install the back pipe clamp over the water pipe. Secure the clamps to the pipe with the two screws and nuts that were supplied with the copper tubing kit. Tighten the nuts equally so that the space between the clamps is the same (see DETAIL A). **DO NOT OVERTIGHTEN** the nuts, or you could deform the clamps and damage the seal gasket.



Connecting the copper tubing to the shut-off valve

Refer to the diagram below for the following steps.

1. Straighten a 2" section of copper tubing and make sure that the opening is round and cut evenly across the end. If necessary, use a tubing cutter (or a hacksaw) and cut the end off, then file it so it is even, and remove any burrs from around the inside and outside edges so it is smooth and round. When you are finished, clean the filings from inside the tubing as much as possible.
2. Position the compression nut as shown, and slide it over the end of the copper tubing.
3. Slide a compression sleeve over the copper tubing until it is approximately 1" from the end.
4. Insert the end of the copper tubing into the outlet connector of the shut-off valve as far as it will go, and then hand tighten the compression nut as much as possible.
5. Use a ½" open-end wrench, and further tighten the compression nut on the shut-off valve *one additional turn*. If necessary, you will tighten the nut further after you turn on the water supply.
6. Turn the T-handle on the shut-off valve to its fully "open" (counterclockwise rotation) position.



Connecting the copper tubing to the shut-off valve

Connecting the copper tubing to the water valve

Refer to the diagram below for the following steps.

1. Check to make sure that the free end of the tubing is round and cut even. If necessary, prepare the end in the same manner as you did earlier. Be sure to clean the filings from inside the tubing after you prepare the end.

When you perform the next step, be careful not to kink the copper tubing.

2. Starting at the free end, straighten approximately 20" of the copper tubing.
3. Close the water tap you left open earlier to bleed the water lines.
4. Insert the end of the copper tubing into a pail, and have someone turn on the water supply. Allow enough water to flow through the lines to thoroughly flush them out. Once the water runs clear, turn off the supply and bleed the lines.
5. Remove the strain relief clamp from the rear of the cabinet and slide it over the end of the copper tubing. Make sure you position the flanges as shown.

6. Slide a compression nut over the free end of the copper tubing.

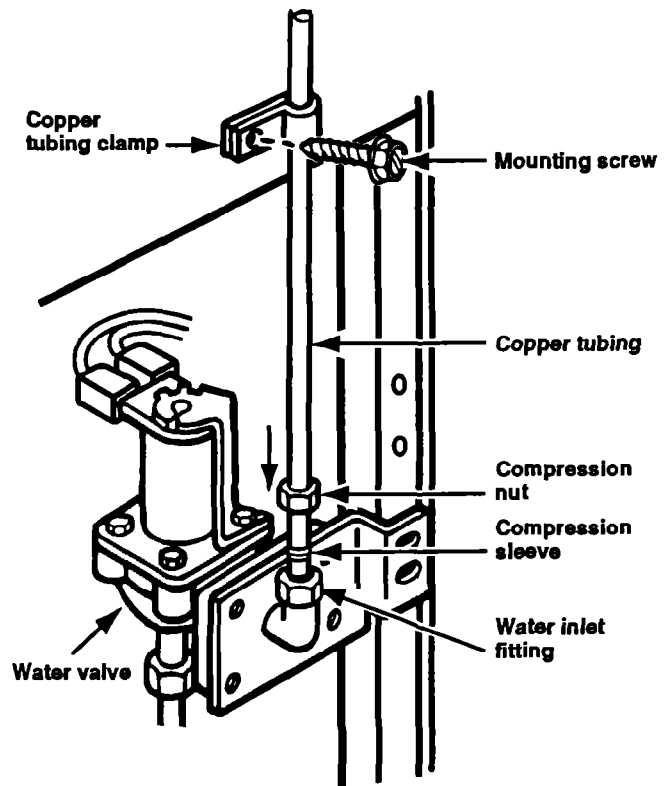
7. Slide a compression sleeve over the copper tubing and position it 1" from the end.

8. If one is installed, remove the plastic cap from the water inlet fitting on the water valve and discard the cap.

9. Insert the end of the tubing into the water inlet connector at the top of the water valve as far as it will go, and hand tighten the compression nut as much as possible.

10. Use a ½" open-end wrench, and further tighten the compression nut on the water inlet connector *one additional turn*. If necessary, you will tighten the nut further after you turn on the water supply.

11. Mount the strain relief clamp to the back of the cabinet with the hex-head screw you removed earlier.

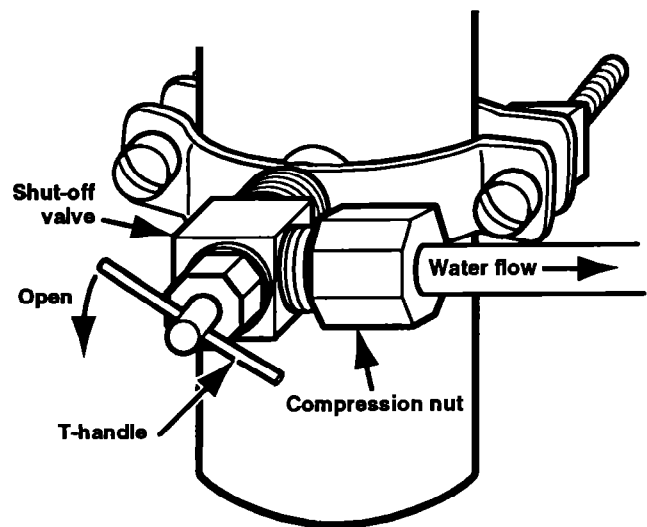


Connecting the copper tubing to the water valve

Turning the water on

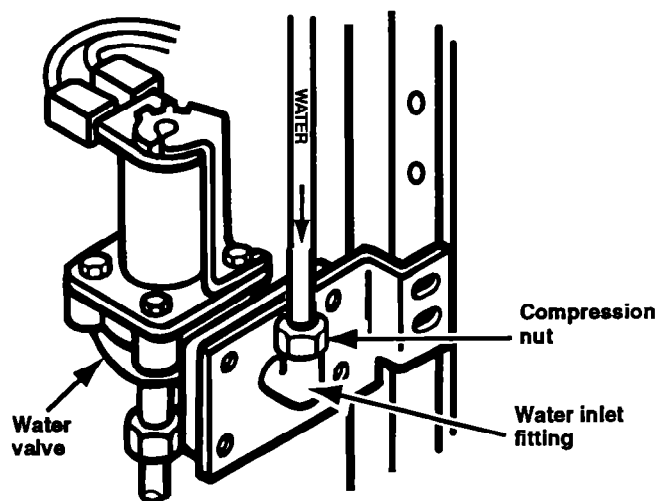
NOTE: Be very careful when you tighten the compression nuts that you do not overtighten them and destroy the compression sleeve and the end of the soft copper tubing. If this happens, you will have to cut off the end of the tubing, purchase a new compression sleeve, and start over. Be careful and go slow!

1. Turn on the water supply and check the shut-off valve for leakage. If necessary, refer to the side diagram, and tighten the compression nut on the shut-off valve in small increments until the leakage just stops. Wipe off the connection with a cloth each time you check for leaks.



Tightening the shut-off valve connection

2. Check the water valve for any leakage. If necessary, tighten the compression nut (see the side diagram) in small increments until the leaking just stops.

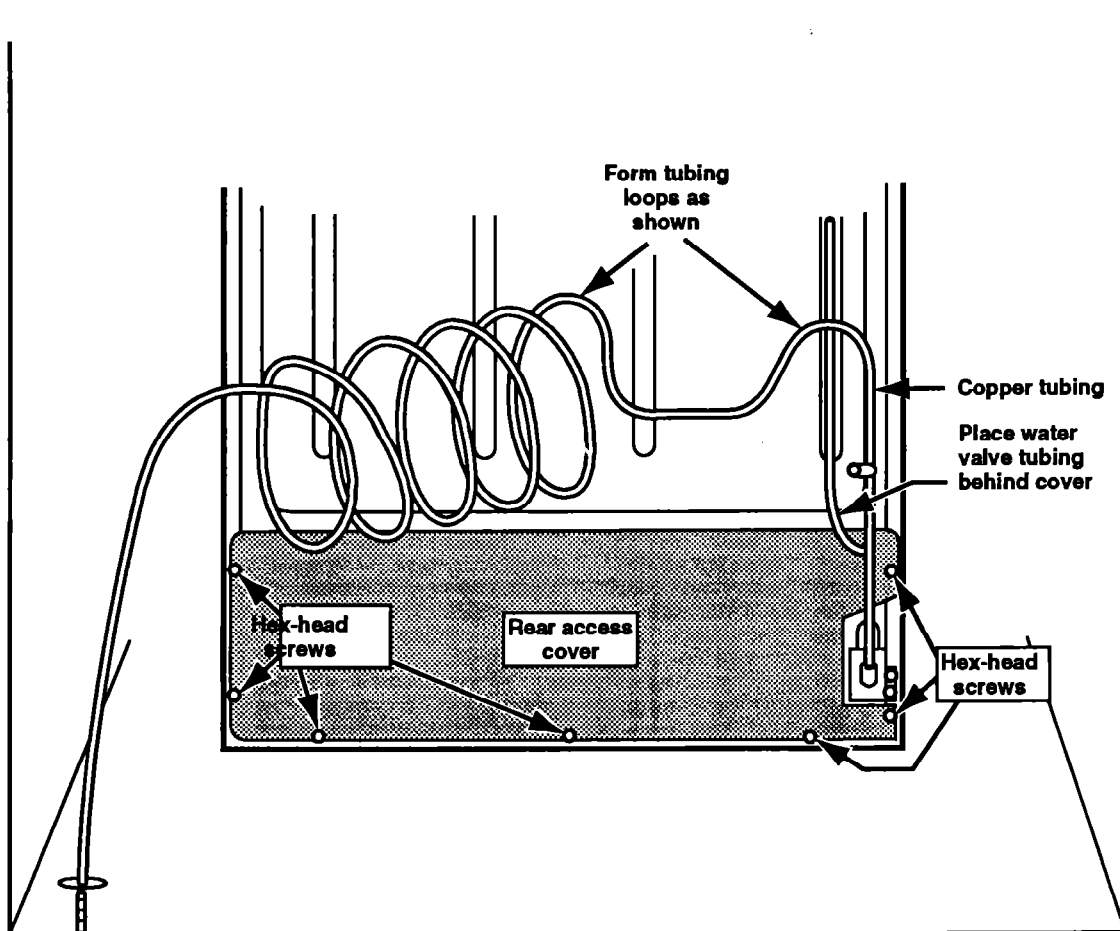


Tightening the water valve connection

Final Installation

Installing the access cover and forming the copper tubing

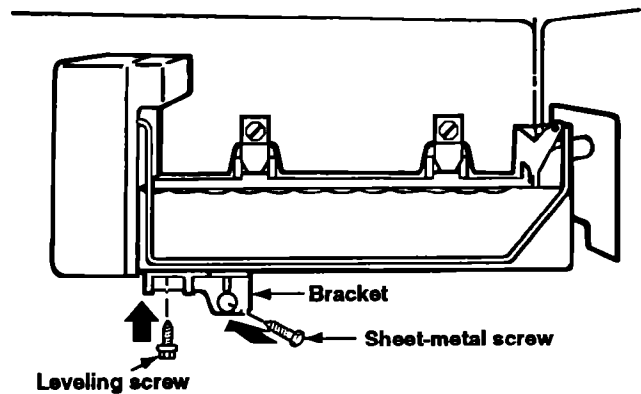
1. Reinstall the rear access cover on the refrigerator so the water valve tubing is inside the cover, and the copper water line is outside (see the diagram below), then secure the cover with the seven hex-head screws you removed earlier.
2. Loop the copper tubing coming from the water valve as shown. Position the coiled copper tubing near the center of the unit so that it forms an "accordion-fold" (as shown in the diagram below) when it is moved to-and-from the wall.



Installing the access cover and forming the copper tubing

Connecting the power/leveling the unit

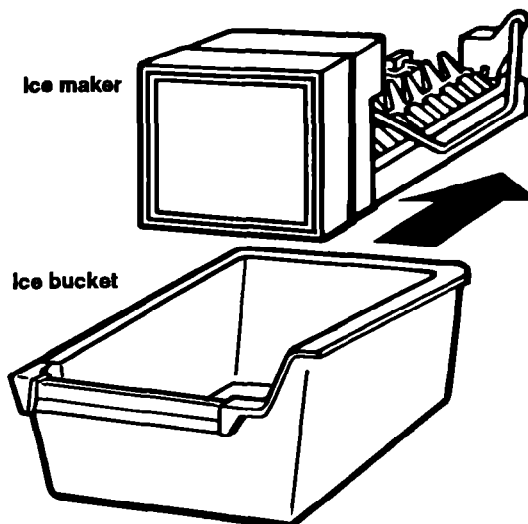
1. Plug the power cord into its AC outlet, and carefully push the refrigerator back against the wall.
2. Place a level on top of the cabinet. If you need to relevel the refrigerator, follow the procedure to adjust the front casters, as outlined in your refrigerator's "Use and Care Guide."
3. Check the position of the ice maker. If it is crooked and needs to be adjusted, loosen the bottom bracket screws (see the side diagram) and position the unit as desired, then tighten the bracket screws.



Leveling the ice maker

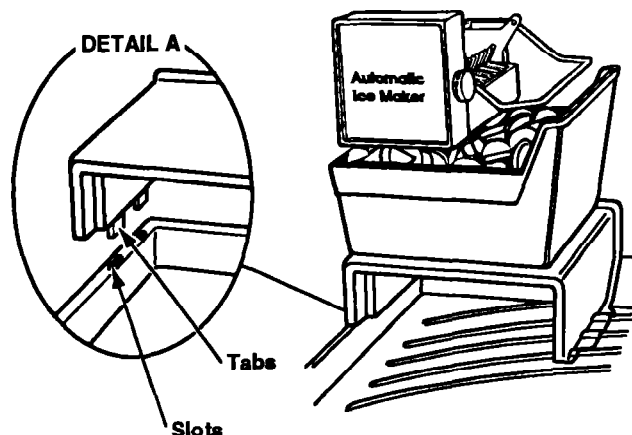
Starting the Ice Maker

1. Wash out the ice bucket, and then slide it under the ice maker (see the side diagram) as far as it will go. The ice bucket will be sitting on top of the freezer shelf.



Installing the Ice bucket

IMPORTANT: On top-mount models without a full-width freezer shelf, you will need to place the ice bucket on top of the inverted ice tray shelf. First, position the ice tray shelf face down so that the shorter side is alongside the freezer wall (see DETAIL A). Then insert the tabs on the shorter side of the shelf into the slots on the edge of the freezer floor. This will hold the shelf in position. Next, place the ice bucket on top of the inverted ice tray shelf and slide it under the ice maker (see side diagram). The ice maker will not function properly if the ice bucket is placed directly on the freezer floor.

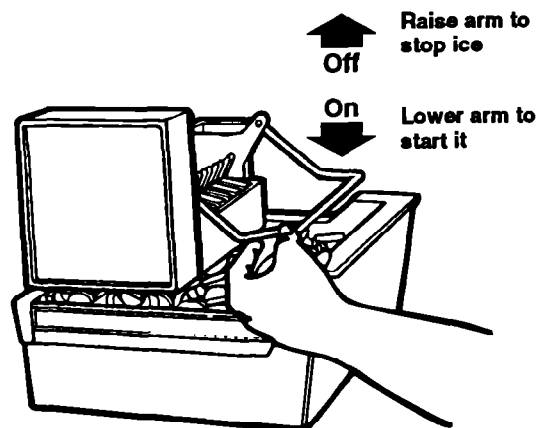


2. Place the items back into the freezer compartment.

3. Lower the arm on the ice maker (see the side diagram) to its "on" position, and close the freezer door. The ice maker will begin to make ice within 24 hours.

NOTE: It usually takes approximately 24 hours for the ice maker to begin producing ice. Once ice is available, you may notice that it has an "off taste." If this happens, make two or three batches of ice and discard them. After that, the "off-taste" should be gone. If you have any problems, refer to "Troubleshooting" on page 25.

This completes the installation of your Ice Maker.



Turning the ice maker on

Troubleshooting

Operational notes

1. The Ice Maker water valve contains a flow washer that acts like a pressure regulator to control the water flow. For the Ice Maker to work properly, the water pressure in your home must be between 20 and 120 pounds per-square-inch (psi). If you encounter problems with your Ice Maker's ability to produce ice, call your water utility company and have the water pressure checked.
2. The Ice Maker's water valve is equipped with two strainers: a plastic basket type and a wire-mesh screen. Both of these can be cleaned by turning off the water and disassembling the water valve (your service center should be able to provide this service). If local water conditions require periodic cleaning, or if you use a well as a water source, you should consider installing a second water strainer in the water line. You can obtain a water strainer from your local appliance dealer.

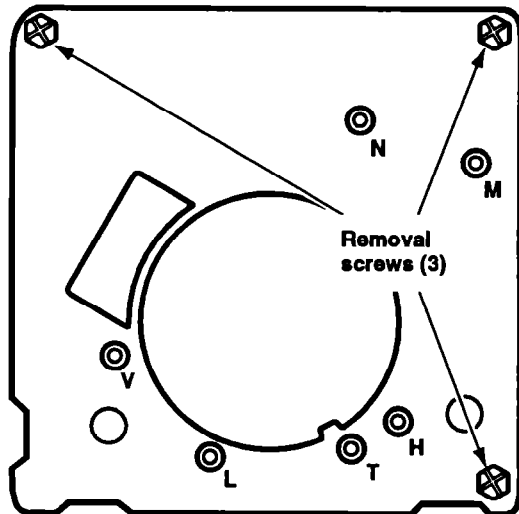
Troubleshooting chart

The following chart lists several common problems that could occur with your Ice Maker.

PROBLEM	CAUSE
One or more of the following sounds is heard: <ul style="list-style-type: none"> • Buzzing • Trickling water • Thud (clatter of ice) 	The water valve is operating. Water is entering the Ice Maker fill cup. Ice is being dumped into the ice bin.
Ice tastes stale.	The ice is old. Make a new batch.
Water in Ice Maker overflows.	Refrigerator or Ice Maker is not level. If the Ice Maker still overflows after leveling, turn off the Ice Maker's water supply at the shut-off valve, and raise the Ice Maker's bail arm to the "off" position (see page 24); then contact your local service center.
Not enough ice.	Freezer door is being opened too often. Adjust the Air Control or Freezer Control for a colder setting.
Ice making has stopped.	Be sure that the bail arm is lowered into the ice bucket (see page 24). Make sure that the water shut-off valve is on. The water shut-off valve or the water valve screen is clogged (contact your local service center).

The modular ice maker service sheet

Module test points



MODULE OHMMETER CHECKS (NO POWER TO ICE MAKER AND EJECTOR BLADES IN PARK)			
TEST POINTS	COMPONENT	MODULE POSITION	OHMS
L-H	MOLD HEATER	ATTACHED TO SUPPORT	72
L-M	MOTOR	DISCONNECT FROM SUPPORT	8800

Specifications

MOLD HEATER – 185 WATTS, 72 OHMS
 THERMOSTAT – CLOSE $17^{\circ} \pm 3^{\circ}$
 (BIMETAL) OPEN $32^{\circ} \pm 3^{\circ}$
 WATER FILL – 140CC, 7.5 SEC.
 MOTOR – 1.5 WATTS, 8800 OHMS
 MODULE – STAMPED CIRCUIT,
 PLUG-IN CONNECTORS
 CYCLE – ONE REVOLUTION
 (EJECTS AND WATER FILL)
 FOR 120 VOLT MODEL

MODULE VOLTAGE CHECKS WITH METER OR TEST LIGHT (POWER TO ICE MAKER)			
TEST POINTS	COMPONENT	LINE VOLTAGE	0 VOLTS
L-N	MODULE	POWER OK	NO POWER
T-H	BIMETAL	OPEN	CLOSED
L-H	HEATER	ON	OFF
L-M	MOTOR	ON	OFF
N-V	WATER VALVE	ON	OFF

Water level adjustment

TURNING THE SCREW CLOCKWISE DECREASES THE WATER FILL.

- ½ TURN EQUALS 20CC OR 1.2 SEC.
- FULL TURN EQUALS 40CC OR 2.4 SEC.
- MAXIMUM ADJUSTMENT IS ONE FULL TURN EITHER DIRECTION. ADDITIONAL ROTATION COULD DAMAGE MODULE.

Service Procedures

COVER

PULL WATER ADJUSTMENT KNOB FIRST AND SNAP OFF COVER. INDEX KNOB AND REINSTALL IN SAME POSITION FOR WATER FILL.

MODULE, MOTOR, AND SUPPORT ASSEMBLY

INSERT PHILLIPS DRIVER IN ACCESS PORTS IN MODULE. LOOSEN BOTH SCREWS. DISCONNECT SHUT-OFF ARM. PULL MOLD FROM SUPPORT ASSEMBLY.

SHUT-OFF ARM

PULL OUT FROM SUPPORT. REINSERT TO FULL DEPTH.

MOLD AND HEATER

REMOVE MODULE, MOTOR, AND SUPPORT ASSEMBLY.

BIMETAL

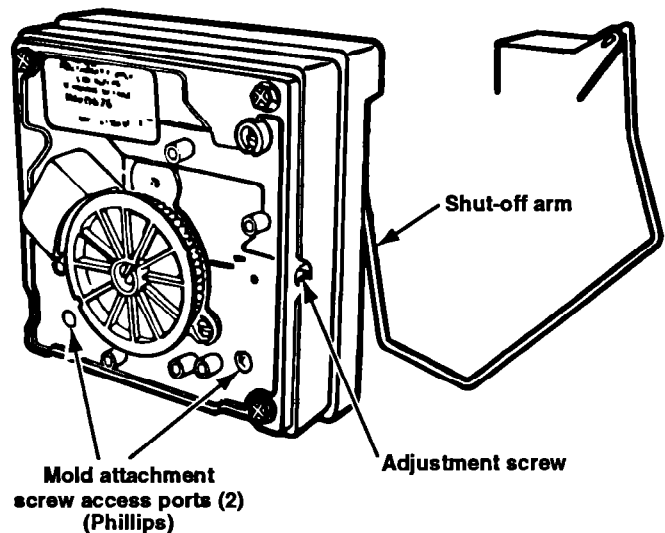
REMOVE MODULE, MOTOR, AND SUPPORT ASSEMBLY. PULL OUT RETAINING CLIPS WITH BIMETAL.

FILL CUP

REMOVE MODULE, MOTOR, AND SUPPORT ASSEMBLY. REMOVE EJECTOR BLADES AND SHUT-OFF ARM. PULL FILL CUP FROM MOLD.

EJECTOR BLADES OR STRIPPER

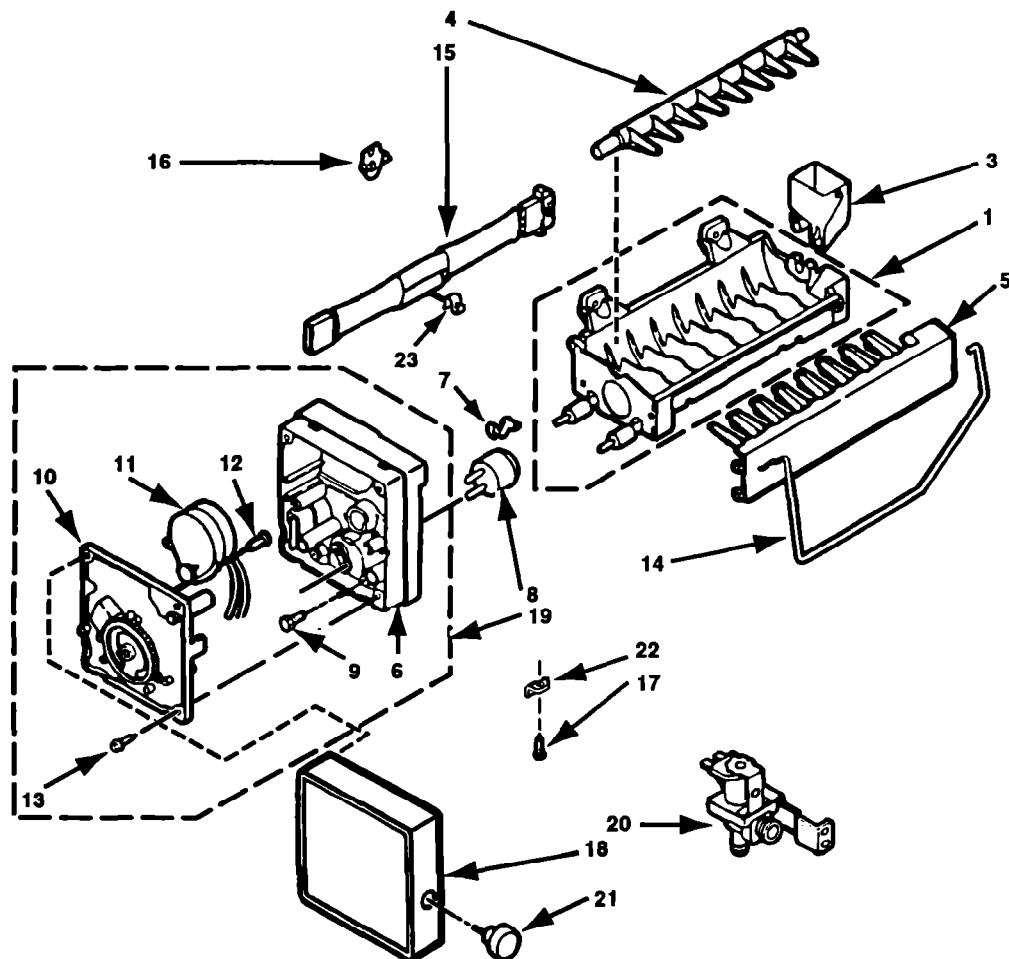
REMOVE MODULE, MOTOR, SUPPORT ASSEMBLY. WHEN REINSTALLING EJECTOR BLADES, REALIGN "D" COUPLING WITH MODEL CAM.



Ice maker replacement parts list

When you place an order for a part, use the "Part Number," not the "Key Number."

Key Number	Part Number	Description
1	628228	Mold and Heater Assembly
3	628356	Bearing and Inlet
4	627843	Ejector
5	627788	Ice Stripper
6	627790	Support
7	627796	Retainer, Thermostat (2)
8	627985	Thermostat (also Order #542369 Cement Alumilastic)
9	489322	Screw, (2) 10-32 x 49/64"
10	628358	Module, Assembly
11	628258	Motor
12	489136	Screw, (2) 3-24 x 23/64"
13	489276	Screw, (3)
14	627792	Shut-off Arm
15	628256	Wiring, Harness
16	2155021	Clip, Ice Maker
17	489128	Screw, 8-32 x 27/64"
18	1115846	Cover
19	628366	Module Assembly (Includes Items 10, 11, and 12)
20	627929	Valve, Solenoid
21	1115844	Knob, Water
22	628229	Bracket
23	628379	Clip, Thermal Fuse



Ice maker replacement parts list (cont'd)

The following parts are not illustrated.

Optional parts are not included in this list.

Part Number	Description
939529	Ice Cube Pan
837142	Trim, Ice Cube Pan
1121997	Accessory Bag, Outside
*836489	Fitting, Water Tube
*1106508	Seal Gasket
*488645	Screw, 8 x 1/2"
*488649	Screw, 8-32 x 1/2"
*841707	Insert, Plastic Tube
*627854	Tube Assembly, Inlet Valve
*537588	Nut, Inlet Valve
*488292	Washer
*836074	Dampener
*510716	Tube Clamp
*488366	Tube Clamp
*488878	Tube Clamp
*549193	Clamp, Service Cord
*653499	Plastic Tube
*627018	Nut and Sleeve Assembly
*841707	Insert, Plastic Tube
**1121995	Accessory Bag, Inside
**489069	Screw, 8 x 1/2"
**939027	Tube, Water Inlet
944811	Wiring Assembly, Ice Maker

* Components of Accessory Bag Outside.

** Components of Accessory Bag Inside.