

FRIGIDAIRE

All about the

Use & Care

of your

Room Air Conditioner

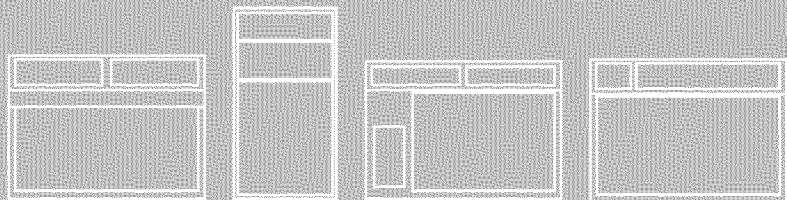


TABLE OF CONTENTS

Important Safety Instructions	2	Care and Cleaning	6
Product Registration	3	Energy Saving Ideas	6
Packaging	3	Before You Call	7
Normal Sounds	3	Major Appliance Warranty	8
Operating Instructions	4-5		

Important Safety Instructions

NOTE:

This USE & CARE MANUAL provides specific operating instructions for your model. Use the room air conditioner only as instructed in this USE & CARE MANUAL. These instructions are not meant to cover every possible condition and situation that may occur. Common sense and caution must be practiced when installing, operating, and maintaining any appliance.

NOTE:

The power supply cord with this air conditioner contains a current detection device designed to reduce the risk of fire.

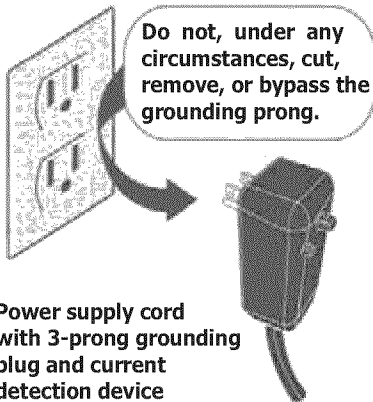
Please refer to the section 'Operation of Current Device' for details.

In the event that the power supply cord is damaged, it cannot be repaired. It must be replaced with a cord from the product manufacturer.

WARNING

Avoid fire hazard or electric shock. Do not use an extension cord or an adaptor plug. Do not remove any prong from the power cord.

Grounding type wall receptacle



WARNING

For Your Safety

Do not store or use gasoline or other flammable vapors and liquids in the vicinity of this or any other appliance. Read product labels for flammability and other warnings.

WARNING

Prevent Accidents

To reduce the risk of fire, electrical shock, or injury to persons when using your air conditioner, follow basic precautions, including the following:

- Be sure the electrical service is adequate for the model you have chosen. This information can be found on the serial plate, which is located on the side of the cabinet and behind the grille.
- If the air conditioner is to be installed in a window, you will probably want to clean both sides of the glass first. If the window is a triple-track type with a screen panel included, remove the screen completely before installation.
- Be sure the air conditioner has been securely and correctly installed according to the separate installation instructions provided with this manual. Save this manual and the installation instructions for possible future use in removing or reinstalling this unit.
- When handling the air conditioner, be careful to avoid cuts from sharp metal fins on front and rear coils.

WARNING

Electrical Information

The complete electrical rating of your new room air conditioner is stated on the serial plate. Refer to the rating when checking the electrical requirements.

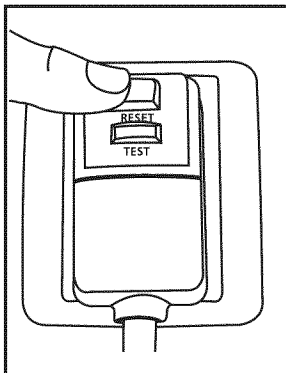
- Be sure the air conditioner is properly grounded. To minimize shock and fire hazards, proper grounding is important. The power cord is equipped with a three-prong grounding plug for protection against shock hazards.
- Your air conditioner must be used in a properly grounded wall receptacle. If the wall receptacle you intend to use is not adequately grounded or protected by a time delay fuse or circuit breaker, have a qualified electrician install the proper receptacle.
- Do not run air conditioner without outside protective cover in place. This could result in mechanical damage within the air conditioner.
- **Do not use an extension cord or an adapter plug.**

READ THIS SECTION BEFORE ATTEMPTING TO OPERATE AIR CONDITIONER.

Unit must be upright for one hour prior to operating.

Operation of Current Device

Plug in & press RESET



The power supply cord contains a current device that senses damage to the power cord. To test your power supply cord do the following:

1. Plug in the Air Conditioner.
2. The power supply cord will have TWO buttons on the plug head. Press the TEST button. You will notice a click as the RESET button pops out.
3. Press the RESET button. Again you will notice a click as the button engages.
4. The power supply cord is now supplying electricity to the unit. (On some products this is also indicated by a light on the plug head).

NOTE:

- Do not use this device to turn the unit on or off.
- Always make sure the RESET button is pushed in for correct operation.
- The power supply cord must be replaced if it fails to reset when either the TEST button is pushed, or it cannot be reset. A new one can be obtained from the product manufacturer.
- If power supply cord is damaged, it CANNOT be repaired. It MUST be replaced by one obtained from the product manufacturer.

Product Registration, Packaging & Normal Sounds

Product Registration

Record Your Model and Serial Numbers

Record in the space provided below the model and serial numbers. On all models, the serial plate is located on the outside of the cabinet.

Model No. _____

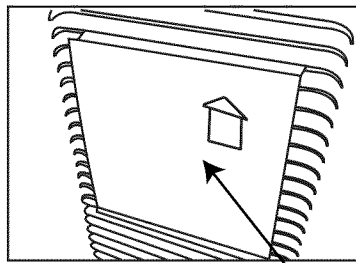
Serial No. _____

Register Your Product

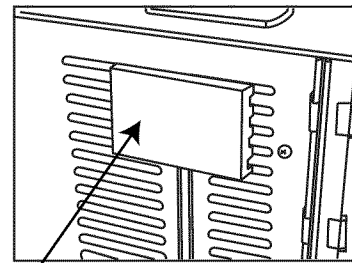
The self-addressed PRODUCT REGISTRATION CARD should be filled in completely, signed and returned to the Frigidaire Company.

Packaging

Remove all packaging from inside the carton, along with any inserts placed into the side louvers.



PACKAGING



INSERTS

Normal Sounds

High pitched Chatter

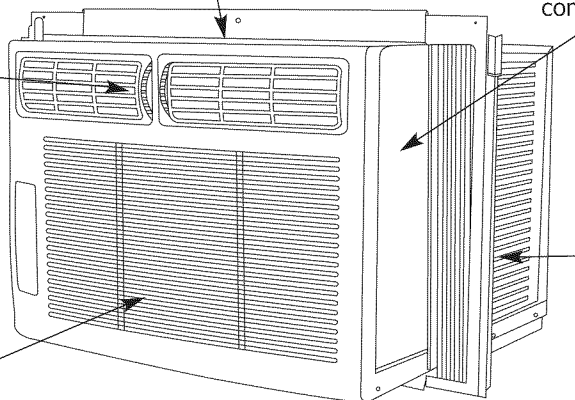
Today's high efficiency compressors may have a high pitched chatter during the cooling cycle.

Vibration

Unit may vibrate and make noise because of poor wall or window construction or incorrect installation.

Sound of Rushing Air

At the front of the unit, you may hear the sound of rushing air being moved by the fan.



Pinging or Swishing

Droplets of water hitting condenser during normal operation may cause "pinging or swishing" sounds.

Gurgle/Hiss

"Gurgling or hissing" noise may be heard due to refrigerant passing through evaporator during normal operation.

Operating Instructions

Using Air Conditioner

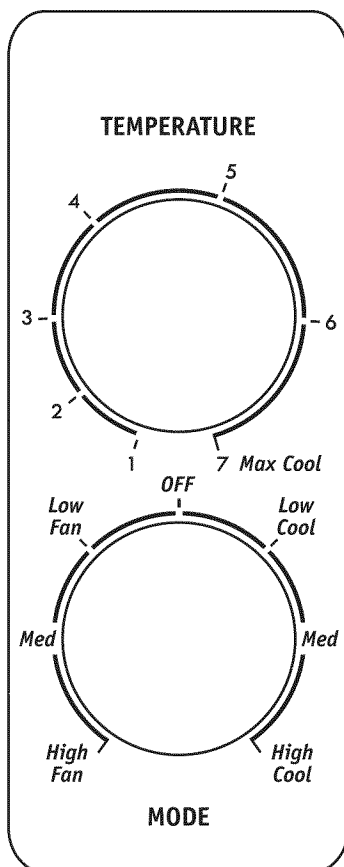
To begin operating the air conditioner, follow these steps:

1. Set the temperature selector to the highest number (coldest or coolest setting).
2. Set the mode control to the highest COOL setting.
3. Adjust the louvers for comfortable air flow (see Air Directional Louvers).
4. Once the room has cooled, adjust the temperature selector to the setting you find most comfortable.

Review the "Operating Instructions" section for other settings.

Operating Instructions

The controls featured in this manual are representative of many available models. Your model may offer slightly different features.



Temperature Selector

This is used to set the desired room temperature when the unit is being operated in the "COOL MODE".

To set the desired room temperature, rotate the selector switch to the desired setting. After the set temperature is achieved, the thermostat will automatically start and stop the compressor in order to maintain the desired set temperature.

Rotate the temperature selector clockwise for higher cool setting. Higher cool settings will provide lower room temperature.

Rotate the temperature selector counter-clockwise for lower cool settings. Lower cool settings will provide higher room temperature.

Cool Mode

The desired cool setting is selected by rotating the MODE knob to the appropriate location.

"High Cool" has maximum cooling effect and airflow.

"Med" has the intermediate cooling effect and airflow.

"Low Cool" has minimum cooling effect and airflow.

Note: If your unit is equipped with a vent handle, keep it closed for maximum efficiency.

Fan Mode

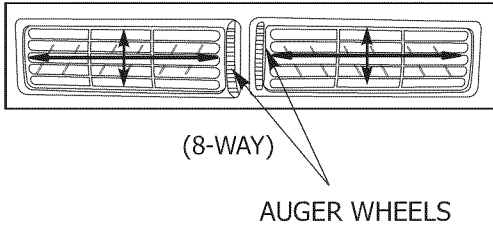
Rotate the MODE knob to the left to select your choice of fan speeds for air circulation.

Note: When selecting a fan speed, the compressor will not run. On models with a vent control, this mode can be used to remove stale air from the room, or to draw fresh air into the room. Check the section 'Additional Things You Should Know'.

WARNING

Please always wait 3 minutes when turning unit off then on again, and when changing from cool to fan and back to cool. This prevents compressor from overheating & possible circuit breaker tripping. Failure to follow these instructions may be harmful to your unit.

Operating Instructions (continued)



Air Directional Louvers

Air directional louvers control air flow direction. Your air conditioner has the louver type described below.

Auger Type

The louvers will allow you to direct the air flow Up or Down and Left or Right throughout the room as needed. Rotate the Auger Wheels until the desired Left/Right direction is obtained. Pivot horizontal louvers until the desired Up/Down direction is obtained.

ADDITIONAL THINGS YOU SHOULD KNOW

Now that you have mastered the operating procedure, here are more features that you should become familiar with.

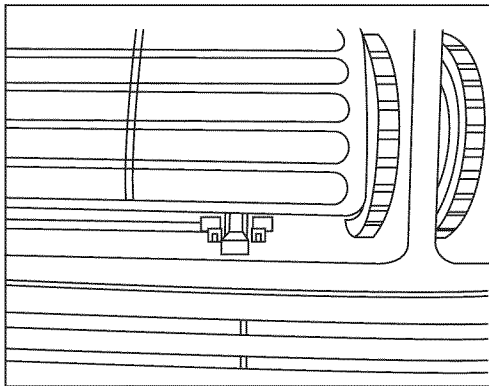


Figure 1 (VENT CLOSED)

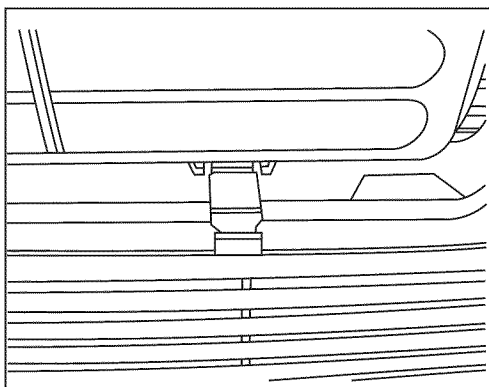


Figure 2 (VENT OPEN)

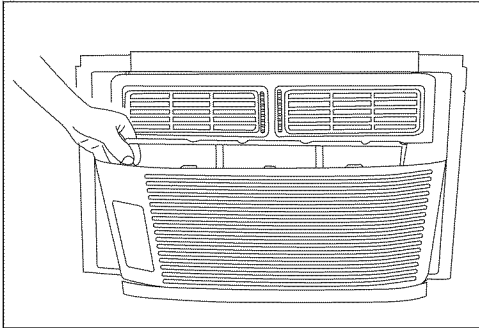
Fresh Air Vent Control

The Fresh Air Vent allows the air conditioner to:

1. Recirculate inside air - Vent Closed (see Fig. 1)
2. Exchange air from the room - Vent Open (see Fig. 2)

Care and Cleaning & Energy Saving Ideas

Care and Cleaning



Clean your air conditioner occasionally to keep it looking new. **Be sure to unplug the unit before cleaning to prevent shock or fire hazards.**

Air Filter Cleaning

The air filter should be checked at least once a month to see if cleaning is necessary. Trapped particles in the filter can build up and cause an accumulation of frost on the cooling coils.

- Push the vent handle to the Vent Closed position (where applicable).
- Open the front panel.
- Grasp the filter by the center and pull up and out.
- Wash the filter using liquid dishwashing detergent and warm water. Rinse filter thoroughly. Gently shake excess water from the filter. Be sure filter is thoroughly dry before replacing
- Or instead of washing, you may vacuum the filter clean.

Cabinet Cleaning

- Be sure to unplug the air conditioner to prevent shock or fire hazard. The cabinet and front may be dusted with an oil-free cloth or washed with a cloth dampened in a solution of warm water and mild liquid dishwashing detergent. Rinse thoroughly and wipe dry.
- Never use harsh cleaners, wax or polish on the cabinet front.
- Be sure to wring excess water from the cloth before wiping around the controls. Excess water in or around the controls may cause damage to the air conditioner.
- Plug in air conditioner.

Winter Storage

If you plan to store the air conditioner during the winter, remove it carefully from the window according to the installation instructions. Cover it with plastic or return it to the original carton.

Energy Saving Ideas



- **Do not block air flow inside with blinds, curtains or furniture; or outside with shrubs, enclosures, or other buildings.**
- The capacity of the room air conditioner must fit the room size for efficient and satisfactory operation.
- Install the room air conditioner on the shady side of your home. A window that faces north is best because it is shaded most of the day.
- Close the fireplace damper, floor and wall registers so cool air does not escape up the chimney and into the duct work.
- Keep blinds and drapes in other windows closed during the sunniest part of the day.
- Clean the air filter as recommended in the section "Care and Cleaning".
- Proper insulation and weather stripping in your home will help keep warm air out and cool air in.
- External house shading with trees, plants or awnings will help reduce the air conditioner's work load.
- Operate heat producing appliances such as ranges, washers, dryers and dishwashers during the coolest part of the day.

Before calling for service, review this list. It may save you time and expense. This list includes common occurrences that are not the result of defective workmanship or materials in this appliance.

OCCURRENCE	SOLUTION
Air conditioner will not operate.	<p>Wall plug disconnected. Push plug firmly into wall outlet.</p> <p>Plug Current Device tripped. Press the RESET button.</p> <p>House fuse blown or circuit breaker tripped. Replace fuse with time delay type or reset circuit breaker.</p> <p>Selector Control in OFF position. Turn selector to ON (some models) or the desired FAN or COOL setting.</p> <p>Unit turned off by moving thermostat to a higher number and then immediately turning back to a colder number. Wait approximately 3 minutes. Listen for compressor to restart.</p> <p>Unit turned off and then on too quickly. Turn unit off and wait 3 minutes before restarting.</p> <p>Temperature selector set too low. Adjust temperature selector to higher number for cooling.</p>
Air from unit does not feel cold enough.	<p>Turn selector to a higher COOL position.</p> <p>Temperature selector set too warm. Set temperature selector to colder temperature.</p> <p>Room temperature below 60° F (16° C). Cooling may not occur until room temperature rises above 60° F (16° C).</p> <p>Temperature sensing tube touching cold coil, located behind air filter. Straighten tube away from coil.</p>
Air conditioner cooling, but room is too warm - ice forming on cooling coil behind decorative front	<p>Outdoor temperature below 60° F (16° C). To defrost the coil, set selector to a FAN position. Then, set thermostat to warmer position.</p> <p>Air filter may be dirty. Clean filter. Refer to Care and Cleaning section. To defrost, set selector to FAN.</p> <p>Temperature selector set too cold for night-time cooling. To defrost the coil, set selector to a FAN position. Then, set temperature selector to warmer position.</p>
Air conditioner cooling, but room is too warm - NO ice forming on cooling coil behind decorative front.	<p>Dirty air filter - air restricted. Clean air filter. Refer to Care and Cleaning section.</p> <p>Temperature selector set too warm. Turn temperature selector clockwise to a colder setting.</p> <p>Air directional louvers positioned improperly. Position louvers for better air distribution.</p> <p>Front of unit is blocked by drapes, blinds, furniture, etc. - restricts air distribution. Clear blockage in front of unit.</p> <p>Doors, windows, registers, etc. open - cool air escapes. Close doors, windows, registers, etc.</p> <p>Unit recently turned on in hot room. Allow additional time to remove "stored heat" from walls, ceiling, floor and furniture.</p>
Air conditioner turns on and off rapidly.	<p>Dirty air filter - air restricted. Clean air filter.</p> <p>Outside temperature extremely hot. Set to High Cool to bring air through cooling coils more frequently.</p>
Noise when unit is cooling.	<p>Air movement sound. This is normal. If too loud, turn selector to lower FAN setting.</p> <p>Sound of fan hitting water-moisture removal system. This is normal when humidity is high. Close doors, windows and registers.</p> <p>Window vibration - poor installation. Refer to installation instructions or check with installer.</p>
Water dripping INSIDE when unit is cooling.	<p>Improper installation. Tilt air conditioner slightly to the outside to allow water drainage. Refer to installation instructions or check with installer.</p>
Water dripping OUTSIDE when unit is cooling.	<p>Unit removing large quantity of moisture from humid room. This is normal during excessively humid days.</p>
Room too cold.	<p>Temperature selector set too high, set to a lower number on temperature dial.</p>

If These Solutions Fail, Call 1-800-944-9044 For Frigidaire Service.

Major Appliance Warranty

Your appliance is covered by a full one-year warranty and a limited 2-5 year warranty (sealed system). For one year from your original date of purchase, Electrolux will pay all costs for repairing or replacing any parts of this appliance that prove to be defective in materials or workmanship when such appliance is installed, used and maintained in accordance with the provided instructions. From the second to the fifth year from your original purchase date, Electrolux will repair or replace any parts in the Sealed Refrigeration System (compressor, condenser, evaporator and tubing) proves to be defective in materials or workmanship. The consumer will be responsible for diagnostic costs and any removal, transportation and reinstallation costs which are required because of service, costs for labor, parts and transportation other than with respect to the Sealed Refrigeration System.

Exclusions This warranty does not cover the following:

1. Products with original serial numbers that have been removed, altered or cannot be readily determined.
2. Product that has been transferred from its original owner to another party or removed outside the USA or Canada.
3. Rust on the interior or exterior of the unit.
4. Products purchased "as-is" are not covered by this warranty.
5. Food loss due to any refrigerator or freezer failures.
6. Products used in a commercial setting.
7. Service calls which do not involve malfunction or defects in materials or workmanship, or for appliances not in ordinary household use or used other than in accordance with the provided instructions.
8. Service calls to correct the installation of your appliance or to instruct you how to use your appliance.
9. Expenses for making the appliance accessible for servicing, such as removal of trim, cupboards, shelves, etc., which are not a part of the appliance when it is shipped from the factory.
10. Service calls to repair or replace appliance light bulbs, air filters, water filters, other consumables, or knobs, handles, or other cosmetic parts.
11. Surcharges including, but not limited to, any after hour, weekend, or holiday service calls, tolls, ferry trip charges, or mileage expense for service calls to remote areas, including the state of Alaska.
12. Damages to the finish of appliance or home incurred during installation, including but not limited to floors, cabinets, walls, etc.
13. Damages caused by: services performed by unauthorized service companies; use of parts other than genuine Electrolux parts or parts obtained from persons other than authorized service companies; or external causes such as abuse, misuse, inadequate power supply, accidents, fires, or acts of God.

DISCLAIMER OF IMPLIED WARRANTIES; LIMITATION OF REMEDIES

CUSTOMER'S SOLE AND EXCLUSIVE REMEDY UNDER THIS LIMITED WARRANTY SHALL BE PRODUCT REPAIR OR REPLACEMENT AS PROVIDED HEREIN. CLAIMS BASED ON IMPLIED WARRANTIES, INCLUDING WARRANTIES OF MERCHANTABILITY OR FITNESS FOR A PARTICULAR PURPOSE, ARE LIMITED TO ONE YEAR OR THE SHORTEST PERIOD ALLOWED BY LAW, BUT NOT LESS THAN ONE YEAR. ELECTROLUX SHALL NOT BE LIABLE FOR CONSEQUENTIAL OR INCIDENTAL DAMAGES SUCH AS PROPERTY DAMAGE AND INCIDENTAL EXPENSES RESULTING FROM ANY BREACH OF THIS WRITTEN LIMITED WARRANTY OR ANY IMPLIED WARRANTY. SOME STATES AND PROVINCES DO NOT ALLOW THE EXCLUSION OR LIMITATION OF INCIDENTAL OR CONSEQUENTIAL DAMAGES, OR LIMITATIONS ON THE DURATION OF IMPLIED WARRANTIES, SO THESE LIMITATIONS OR EXCLUSIONS MAY NOT APPLY TO YOU. THIS WRITTEN WARRANTY GIVES YOU SPECIFIC LEGAL RIGHTS. YOU MAY ALSO HAVE OTHER RIGHTS THAT VARY FROM STATE TO STATE.

If You Need Service Keep your receipt, delivery slip, or some other appropriate payment record to establish the warranty period should service be required. If service is performed, it is in your best interest to obtain and keep all receipts. Service under this warranty must be obtained by contacting Electrolux at the addresses or phone numbers below.

This warranty only applies in the USA and Canada. In the USA, your appliance is warranted by Electrolux Major Appliances North America, a division of Electrolux Home Products, Inc. In Canada, your appliance is warranted by Electrolux Canada Corp. Electrolux authorizes no person to change or add to any obligations under this warranty. Obligations for service and parts under this warranty must be performed by Electrolux or an authorized service company. Product features or specifications as described or illustrated are subject to change without notice.

USA
1.800.944.9044
Electrolux Major Appliances
North America
P.O. Box 212378
Augusta, GA 30907



Canada
1.800.265.8352
Electrolux Canada Corp.
5855 Terry Fox Way
Mississauga, Ontario, Canada
L5V 3E4

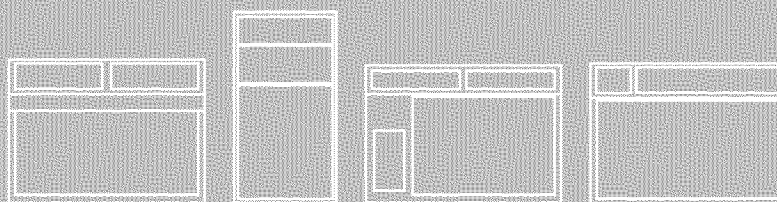
FRIGIDAIRE

Tout sur l'

Utilisation et l'entretien

de votre

Conditionneur d'air de pièce



Sommaire

Consignes de sécurité importantes	2	Entretien et nettoyage	6
Enregistrement du produit	3	Suggestions pour économiser l'énergie	6
Emballage	3	Avant d'appeler	7
Sons normaux	3	Garantie d'appareil principale	8
Instructions de fonctionnement	4-5		

Consignes de sécurité importantes

REMARQUE :

Le présent MANUEL D'UTILISATION ET D'ENTRETIEN fournit des instructions de fonctionnement spécifiques à votre modèle. Utilisez le conditionneur d'air de pièce uniquement comme indiqué dans ce manuel. Ces instructions n'ont pas pour but de couvrir toutes les conditions et situations possibles. Vous devez faire preuve de bon sens et de prudence lorsque vous installez, utilisez et entretenez tout appareil.

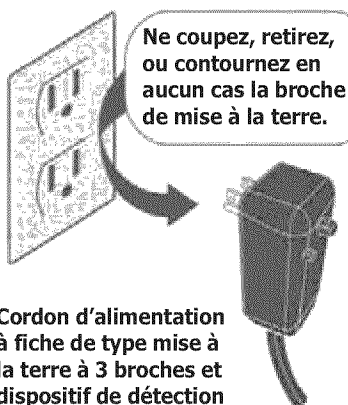
REMARQUE :

Le cordon d'alimentation avec le climatiseur contient un dispositif de détection de courant conçu pour réduire le risque de feu. Veuillez vous reporter à la section "Fonctionnement du dispositif de courant" pour de plus amples informations. Si le cordon d'alimentation est endommagé, il ne peut pas être réparé et doit être remplacé avec un cordon du fabricant du produit.

AVERTISSEMENT

Évitez les risques d'incendie et d'électrocution. N'utilisez pas de rallonge ni d'adaptateur. Ne retirez pas de broche du cordon d'alimentation.

Prise murale reliée à la terre



AVERTISSEMENT

Pour votre sécurité

Ne stockez ni n'utilisez d'essence ou d'autres vapeurs et liquides inflammables à proximité de cet appareil ou de tout autre appareil. Lisez les étiquettes des produits concernant l'inflammabilité, ainsi que les autres mises en garde.

AVERTISSEMENT

Pour éviter les accidents

Pour réduire le risque d'incendie, d'électrocution ou de blessure corporelle lorsque vous utilisez le climatiseur, prenez les précautions de base suivantes :

- Assurez-vous que l'alimentation électrique est adéquate pour le modèle que vous avez choisi. Ces informations sont disponibles sur la plaque du numéro de série, qui se trouve sur le côté du boîtier et derrière la grille.
- Si le climatiseur doit être installé sur une fenêtre, il est conseillé de laver au préalable les deux côtés des vitres. Si la fenêtre est de type "triple-track" avec un écran, retirez complètement l'écran avant de procéder à l'installation.
- Assurez-vous que le climatiseur a été correctement et solidement installé conformément aux instructions d'installation fournies avec ce manuel. Conservez ce manuel et les instructions d'installation pour une éventuelle utilisation future (retrait ou réinstallation de l'appareil).
- Lorsque vous manipulez le climatiseur, attention à ne pas vous couper avec les ailettes métalliques tranchantes des serpentins avant et arrière.

AVERTISSEMENT

Informations électriques

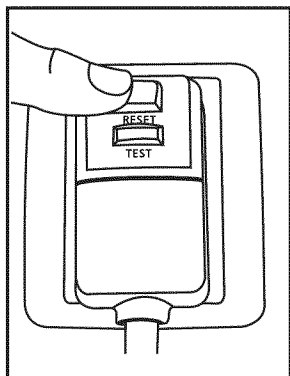
Les caractéristiques électriques complètes de votre nouveau conditionneur d'air de pièce sont indiquées sur la plaque du numéro de série. Reportez-vous à ces caractéristiques lorsque vous vérifiez les exigences électriques.

- Vérifiez que le climatiseur est correctement mis à la terre. Pour réduire les risques d'électrocution et d'incendie, la mise à la terre correcte est primordiale. Le cordon d'alimentation est équipé d'une prise de terre à trois broches pour assurer la protection contre les risques d'électrocution.
- Votre climatiseur doit être utilisé avec une prise murale correctement reliée à la terre. Si la prise murale que vous comptez utiliser n'est pas correctement reliée à la terre ou protégée par un fusible temporisé ou un disjoncteur, demandez à un électricien qualifié d'installer la prise murale correcte.
- N'utilisez pas le climatiseur en laissant le capot externe en place. Ceci risquerait de provoquer des dommages mécaniques à l'intérieur du climatiseur.
- **N'utilisez pas de rallonge ni d'adaptateur.**

LISEZ CETTE SECTION AVANT DE TENTER D'UTILISER LE CLIMATISEUR.
L'unité doit être maintenue droite pendant une heure avant le fonctionnement.

Fonctionnement de l'appareil actuel

Branchez et appuyez sur RESET



Le cordon d'alimentation contient un dispositif de courant qui détecte la détérioration du cordon d'alimentation. Pour tester votre cordon d'alimentation procédez comme suit :

1. Branchez le climatiseur.
2. Le cordon d'alimentation aura DEUX boutons sur la tête de prise. Appuyez sur le bouton TEST. Vous noterez un clic tandis que le bouton RESET sort.
3. Appuyez sur le bouton RESET. Vous noterez encore une fois un clic tandis que le bouton s'enclenche.
4. Le cordon d'alimentation fournit maintenant de l'électricité à l'unité. (Sur certains produits ceci est aussi indiqué par un voyant sur la tête de prise).

REMARQUE :

- N'utilisez pas ce dispositif pour mettre sous/hors tension l'unité.
- Assurez-vous toujours que le bouton RESET est enfoncé pour un fonctionnement correct.
- Le cordon d'alimentation doit être remplacé s'il échoue à réinitialiser lorsque ou bien le bouton TEST est poussé, ou qu'il ne pas être réinitialisé. Un nouveau cordon est disponible chez le fabricant du produit.
- Si le cordon d'alimentation a été endommagé, il NE PEUT PAS être réparé. Il DOIT être remplacé par un nouveau disponible chez le fabricant du produit.

Enregistrement du produit, emballage et sons normaux

Enregistrement du produit

Notez votre modèle et vos numéros de série

Enregistrez dans l'espace qui se trouve en dessous du modèle et des numéros de série. Sur tous les modèles, la plaque du numéro de série est située à l'extérieur du boîtier.

Numéro de modèle _____

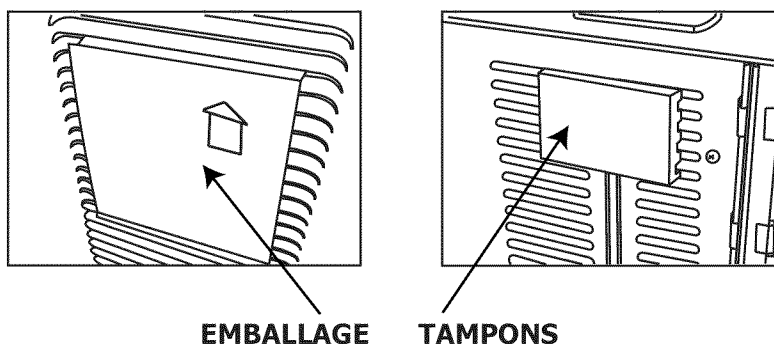
Numéro de décès _____

Enregistrez votre produit

La CARTE D'ENREGISTREMENT DU PRODUIT auto-adressée doit être remplie entièrement, signée et retournée à Frigidaire Company.

Emballage

Retirez tout l'emballage de l'intérieur du carton, avec tous les tampons placés entre les événements latéraux.



Sons normaux

Son de vent

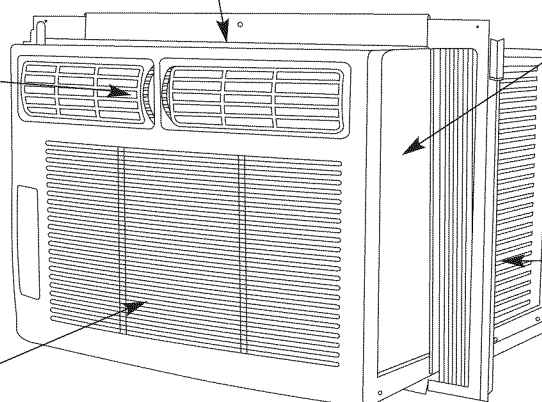
À l'avant de l'appareil, il est possible que vous entendiez un bruit de vent provoqué par l'air déplacé par le ventilateur.

Son aigu

Les compresseurs haute performance d'aujourd'hui peuvent émettre un son aigu pendant le cycle de refroidissement.

Vibration

L'appareil peut vibrer et faire du bruit si les murs ou les fenêtres sont mal conçus ou si l'appareil n'a pas été installé correctement.



Cliquetis ou bruissements

Des gouttes d'eau tombant sur le condensateur pendant le fonctionnement normal de l'appareil peuvent provoquer des cliquetis ou des bruissements.

Gargouillements/sifflements

Peuvent être dus au frigorigène passant par le système d'évaporation pendant le fonctionnement normal.

Instructions de fonctionnement

Utilisation du climatiseur

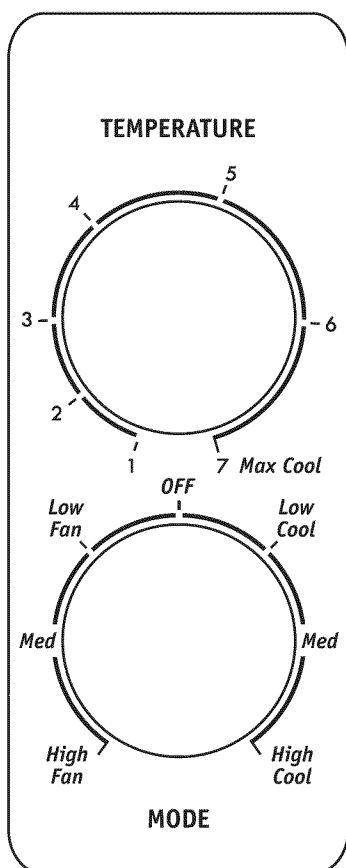
Pour commencer à utiliser le climatiseur, procédez comme suit :

1. Réglez le sélecteur de température sur le nombre le plus élevé (réglage le plus froid).
2. Réglez le contrôle de mode sur le paramètre COOL (refroidissement) le plus élevé.
3. Ajustez les événements pour un flux d'air confortable (voir Événements directionnels).
4. Une fois la pièce refroidie, ajustez le sélecteur de température sur le réglage que vous trouvez le plus confortable.

Réviser la section "Instructions de fonctionnement" pour les autres réglages.

Instructions de fonctionnement

Les commandes indiqués dans ce manuel sont représentatifs de nombreux modèles disponibles. Votre modèle peut offrir des fonctionnalités légèrement différentes.



Sélecteur de température

Permet de régler la température ambiante désirée lorsque l'unité fonctionne en "COOL MODE" (mode cool).

Pour régler la température ambiante désirée, tournez l'interrupteur de sélection sur le réglage désiré. Une fois la température réglée atteinte, le thermostat démarrera et arrêtera automatiquement le compresseur afin de maintenir la température réglée désirée.

Tournez le sélecteur de température dans le sens des aiguilles d'une montre pour un réglage de refroidissement plus élevé. Des réglages de refroidissement plus élevés fourniront une température ambiante moins élevée.

Tournez le sélecteur de température dans le sens contraire des aiguilles d'une montre pour un réglage de refroidissement moins élevé.

Des réglages de refroidissement moins élevés fourniront une température ambiante plus élevée.

Mode refroidissement

Le réglage de refroidissement désiré est sélectionné en tournant le bouton MODE sur l'emplacement désiré.

"high cool" (refroidissement élevé) a un effet de refroidissement et un flux d'air maximal.

"Med" offre le refroidissement et le flux d'air intermédiaire.

"low cool" (refroidissement bas) a un effet de refroidissement et un flux d'air minimal.

Remarque : si votre appareil dispose d'un aérateur, gardez-le fermé pour une efficacité maximale.

Mode ventilateur

Tournez le bouton MODE vers la gauche pour sélectionner votre choix de vitesses de ventilation pour la circulation d'air.

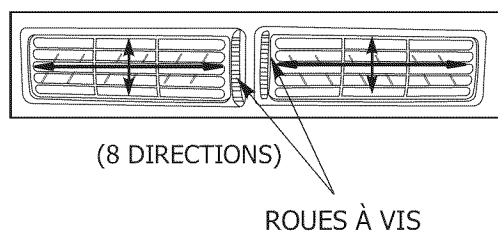
Remarque : Lorsque vous sélectionnez une vitesse de ventilation, le compresseur ne fonctionnera pas, ce mode peut être utilisé pour supprimer l'air de renfermé de la pièce, ou pour introduire de l'air frais dans la pièce. Consultez la section "Informations supplémentaires".

AVERTISSEMENT

Veillez toujours 3 minutes lors de l'arrêt puis le redémarrage de l'appareil, et lorsque vous passez de refroidissement à ventilateur et retournez à refroidissement. Ceci permet d'éviter la surchauffe du compresseur et le déclenchement du disjoncteur.

Le non respect de ces instructions peut nuire à votre appareil.

Instructions de fonctionnement (suite)



Événements directionnels

Les événements directionnels contrôlent la direction du flux d'air. Votre climatiseur dispose du type d'événement décrit ci-dessous.

Type à vis

Les événements vous permettront de diriger le flux d'air vers le haut ou le bas et vers la gauche ou la droite dans toute la pièce selon vos besoins. Tournez les roues à vis jusqu'à ce que le sens gauche/droite désiré soit obtenu. Pivotez les grilles horizontales jusqu'à obtenir le sens haut/bas désiré.

INFORMATIONS SUPPLÉMENTAIRES

Maintenant que vous maîtrisez la procédure de fonctionnement, voici d'autres fonctionnalités avec lesquelles vous devez vous familiariser.

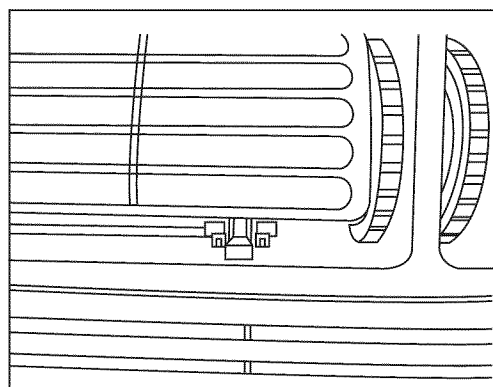


Figure 1 (ÉVÉNEMENT FERMÉ)

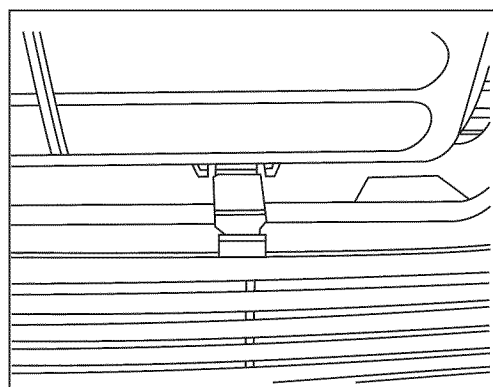


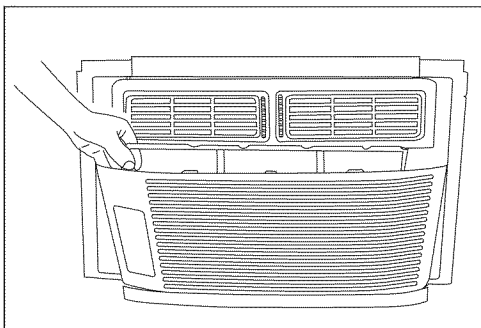
Figure 2 (ÉVÉNEMENT OUVERT)

Contrôle de l'événement d'air frais

L'événement d'air frais permet au climatiseur de :

1. faire recirculer l'air intérieur – événement fermé (voir Fig. 1)
2. Échanger l'air de la pièce – événement ouvert (voir Fig. 2)

Entretien et nettoyage



Nettoyez votre climatiseur occasionnellement pour le garder en bon état. **Assurez-vous de débrancher l'appareil avant de le nettoyer, afin d'éviter les risques d'électrocution et d'incendie.**

Nettoyage du filtre à air

Le filtre à air doit être inspecté au moins une fois par mois pour vérifier si un nettoyage s'impose. Les particules emprisonnées dans le filtre peuvent s'accumuler et provoquer la formation de givre sur les serpentins de refroidissement.

- Poussez la poignée d'évent vers la position Évent fermé (quand applicable).
- Ouvrez le panneau avant.
- Saisissez le filtre par le centre et tirez vers le haut et l'extérieur.
- Lavez le filtre en utilisant du liquide pour vaisselle et de l'eau chaude. Rincez soigneusement le filtre. Secouez doucement l'excès d'eau du filtre. Assurez-vous que le filtre est bien sec avant de le replacer
- Ou au lieu de le laver, vous pouvez aspirer le filtre.

Nettoyage du boîtier

- Assurez-vous d'avoir débranché le climatiseur afin d'éviter les risques d'électrocution et d'incendie. Le boîtier et la face avant doivent être dépoussiérés avec un chiffon non huileux ou nettoyés à l'aide d'un chiffon imprégné d'une solution d'eau chaude additionnée de liquide pour vaisselle doux. Rincez soigneusement et essuyez pour sécher.
- N'utilisez jamais de nettoyeurs agressifs, de cire ou de produit à polir sur la face avant du boîtier.
- Essorez l'excès d'eau du chiffon avant d'essuyer autour des boutons. L'excès d'eau dans ou autour des boutons risque d'endommager le climatiseur.
- Branchez le climatiseur.

Rangement pendant l'hiver

Si vous comptez ranger le climatiseur pendant l'hiver, retirez-le soigneusement de la fenêtre en suivant les instructions d'installation. Couvrez-le de plastique ou replacez-le dans sa boîte.

Suggestions pour économiser l'énergie



- **Ne bloquez pas la circulation de l'air à l'intérieur par des stores, des rideaux ou des meubles ; ou à l'extérieur avec des arbustes, des murs ou d'autres bâtiments.**
- La capacité du climatiseur doit être adaptée à la taille de la pièce pour permettre à l'appareil de fonctionner efficacement et correctement.
- Installez le climatiseur dans la partie ombragée de la maison, comme une fenêtre orientée vers le nord, qui est à l'ombre la plupart du temps.
- Fermez le registre de foyers, les bouches de chaleur du plancher et des murs, de façon à ce que l'air frais ne s'échappe pas par la cheminée et les tuyaux.
- Fermez les stores et les rideaux des autres fenêtres pendant la période la plus ensoleillée de la journée.
- Nettoyez le filtre à air comme indiqué à la section " Entretien et nettoyage ".
- Une bonne isolation et une bonne étanchéité de la maison permettront de conserver l'air chaud à l'extérieur et l'air frais à l'intérieur.
- L'ombrage extérieur offert par les arbustes, les plantes ou les auvents aideront à réduire la charge du climatiseur.
- Utilisez les appareils générateurs de chaleur comme les cuisinières, les machines à laver, les sèche-linge et les lave-vaisselle pendant la période la plus fraîche de la journée.

Avant de faire appel à un technicien, consultez cette liste. Elle peut vous faire économiser temps et argent. Cette liste comprend les situations courantes qui ne résultent pas de défaut de pièce ou de fabrication de l'appareil.

SITUATION	SOLUTION
Le climatiseur ne fonctionne pas.	<p>Prise murale déconnectée. Enfoncez fermement dans la prise.</p> <p>Branchez le dispositif actuel déclenché. Appuyez sur le bouton REINITIALISER.</p> <p>Fusible fondu ou disjoncteur déclenché. Remplacez le fusible avec un fusible temporisé ou réenclenchez le disjoncteur.</p> <p>La commande de sélecteur est sur OFF (arrêt). Tournez le sélecteur sur ON (marche) (certains modèles) ou le réglage FAN (ventilation) ou COOL (refroidissement) désiré.</p> <p>Appareil éteint par le déplacement du thermostat vers un nombre plus élevé puis le retour à un nombre plus froid. Attendez environ 3 minutes. Écoutez le redémarrage du thermostat.</p> <p>Appareil éteint puis rallumé trop rapidement. Eteignez l'unité et attendez 3 minutes avant de redémarrer.</p> <p>Sélecteur de température réglé trop bas. Ajustez le sélecteur de température sur un nombre plus élevé pour le refroidissement.</p>
L'air de l'appareil ne semble pas assez froid.	<p>Tournez le sélecteur sur un position COOL (refroidissement) plus élevée.</p> <p>Sélecteur de température réglé trop chaud. Ajustez le sélecteur de température sur une température plus froide.</p> <p>Température ambiante inférieure à 16 °C (60 °F). Le refroidissement peut ne pas survenir avant que la température ambiante dépasse 16 °C (60 °F).</p> <p>Le tube de détection de température touche le serpentin de refroidissement, situé derrière le filtre à air. Éloignez le tube du serpentin.</p>
Le climatiseur fonctionne, mais la pièce est trop chaude. Du givre se forme sur le serpentin de refroidissement, derrière la face avant.	<p>Température extérieure inférieure à 16 °C (60 °F). Pour dégivrer le serpentin, réglez le sélecteur sur la position FAN (ventilation). Puis, réglez le thermostat sur une position plus chaude.</p> <p>Le filtre à air peut être sale. Nettoyer le filtre. Consultez la section Entretien et Nettoyage. Pour dégeler, réglez le sélecteur sur FAN (ventilation).</p> <p>Sélecteur de température réglé trop froid pour le refroidissement nocturne. Pour dégivrer le serpentin, réglez le sélecteur sur une position FAN (ventilation). Puis, réglez le sélecteur de température sur une position plus chaude.</p>
Le climatiseur fonctionne, mais la pièce est trop chaude – PAS de formation de givre sur le serpentin de refroidissement derrière la face avant.	<p>Filtre à air sale – l'air est gêné. Nettoyez le filtre à air. Consultez la section Entretien et nettoyage.</p> <p>Sélecteur de température réglée trop chaud. Tournez le sélecteur de température dans le sens des aiguilles d'une montre vers un réglage plus froid.</p> <p>Les grilles directionnelles sont mal positionnées. Repositionnez les grilles pour permettre une meilleure distribution de l'air.</p> <p>L'avant de l'appareil est bloqué par des voilages, des stores, des meubles, etc. – La distribution de l'air est gênée. Retirez ce qui bloque.</p> <p>Les portes, les fenêtres, les bouches de chaleur, etc. sont ouverts – l'air froid s'échappe. Fermez les portes, les fenêtres, les bouches de chaleur, etc.</p> <p>L'appareil a récemment été allumé dans une pièce chaude. Laissez plus de temps pour que la chaleur accumulée s'évacue des murs, du plafond, du sol et des meubles.</p>
Le climatiseur s'allume et s'éteint rapidement.	<p>Le filtre à air est sale – l'air est bloqué. Nettoyez le filtre à air.</p> <p>La température extérieure est extrêmement élevée. Réglez sur Refroidissement élevé pour permettre à l'air de passer par les serpentins de refroidissement plus fréquemment.</p>
Bruit lorsque l'appareil refroidit.	<p>Bruit du mouvement d'air. Ceci est normal; Si le bruit est trop fort, tournez le sélecteur sur un réglage FAN (ventilation) inférieur.</p> <p>Son du ventilateur touchant le système de suppression d'eau-humidité. Ceci est normal lorsque l'humidité est élevée. Fermez les portes, fenêtres et registres.</p> <p>Vibration de fenêtre – installation médiocre. Consultez les instructions d'installation ou vérifiez avec l'installateur.</p>
De l'eau goutte À L'INTÉRIEUR lorsque l'appareil refroidit.	<p>Mauvaise installation. Tournez légèrement le climatiseur vers l'extérieur pour permettre à l'eau de s'évacuer. Consultez les instructions d'installation ou vérifiez avec l'installateur.</p>
De l'eau goutte À L'EXTÉRIEUR lorsque l'appareil refroidit.	<p>L'appareil évacue de grandes quantités d'humidité de la pièce. Ceci est normal les jours très humides.</p>
Pièce trop froide.	<p>Le sélecteur de température est réglé trop haut, réglez sur un nombre moins élevé sur le cadran de température.</p>

Si ces solutions échouent, appelez le 1-800-944-9044 pour le service Frigidaire.

Garantie d'appareil principale

Votre appareil est couvert par une garantie totale d'un an, et une garantie de 2 à 5 ans limitée (Système Scellé). Pendant un an à partir de la date d'achat originale, Electrolux assumera les coûts des réparations ou du remplacement des pièces de cet appareil qui présente un défaut de fabrication ou de matériau, si cet appareil est installé, utilisé et entretenu selon les instructions fournies avec celui-ci. Seconde à cinquième année suivant la date d'achat initiale, Electrolux répare ou remplace toutes les pièces du système de réfrigération fermé (compresseur, condensateur, évaporateur et tubes) présentant un défaut de pièce ou de fabrication.

Responsabilité du consommateur: coûts de diagnostic et de tout retrait, transport et réinstallation nécessaires pour procéder à la réparation, coûts de la main d'oeuvre, des pièces et du transport autres que ceux concernant le Système de réfrigération fermé.

Exclusions Cette garantie ne couvre pas ce qui suit :

1. Les produits dont le numéro de série original a été enlevé, modifié ou qui n'est pas facilement déterminable.
2. Les produits qui ont été transférés de leur propriétaire initial à une autre partie ou qui ne sont plus aux États-Unis ou au Canada.
3. La rouille à l'intérieur ou à l'extérieur de l'appareil.
4. Les produits vendus « tels quels » ne sont pas couverts par cette garantie.
5. Les aliments perdus en raison de pannes du réfrigérateur ou du congélateur.
6. Les produits utilisés dans les établissements commerciaux.
7. Les appels de service qui ne concernent pas un mal fonctionnement, un défaut de fabrication ou un vice de matériau ou pour les appareils qui ne font pas l'objet d'un usage domestique ou qui ne sont pas utilisés conformément aux instructions fournies.
8. Les appels de service pour vérifier l'installation de votre appareil ou pour obtenir des instructions sur la façon d'utiliser votre appareil.
9. Les frais qui rendent l'appareil accessible pour une réparation, par exemple enlever des garnitures, les armoires, les étagères, etc. qui ne faisaient pas partie de l'appareil lorsqu'il a quitté l'usine.
10. Les appels de service au sujet de la réparation ou du remplacement des ampoules, des filtres à air, des filtres à eau, d'autre matériel ou des boutons, poignées ou autres pièces esthétiques.
11. Les frais supplémentaires, y compris, sans s'y limiter, les appels de service après les heures normales de bureau, le week-end ou les jours fériés, les droits et péages, les frais de convoyage ou les frais de déplacement pour les appels de service dans des endroits isolés, notamment l'État de l'Alaska.
12. Les dommages causés au fini de l'appareil ou à la maison pendant l'installation, y compris, sans s'y limiter, aux planchers, aux armoires, aux murs, etc.
13. Les dommages causés par : des réparations faites par des techniciens non autorisés; l'utilisation de pièces autres que les pièces Electrolux d'origine qui n'ont pas été obtenues par l'entremise d'un réparateur autorisé; ou les causes étrangères comme l'abus, l'alimentation électrique inadéquate ou les cas de force majeure.

AVIS DE NON-RESPONSABILITÉ SUR LES GARANTIES IMPLICITES; LIMITATIONS DES RECOURS

L'UNIQUE RECOURS DU CLIENT EN VERTU DE CETTE GARANTIE LIMITÉE EST LA RÉPARATION OU LE REMPLACEMENT DU PRODUIT COMME DÉCRIT PRÉCÉDEMMENT. LES DEMANDES BASÉES SUR DES GARANTIES IMPLICITES, Y COMPRIS LES GARANTIES IMPLICITES DE QUALITÉ MARCHANDE ET D'ADAPTATION À UN USAGE PARTICULIER SONT LIMITÉES À AU MOINS UN AN OU À LA PÉRIODE LA PLUS COURTE PERMISE PAR LA LOI. ELECTROLUX NE SERA PAS TENUE RESPONSABLE DES DOMMAGES DIRECTS OU INDIRECTS NI DES DOMMAGES MATÉRIELS ET DES DÉPENSES IMPRÉVUES RÉSULTANT D'UNE VIOLATION DE CETTE GARANTIE ÉCRITE OU DE TOUTE AUTRE GARANTIE IMPLICITE. CERTAINS ÉTATS ET CERTAINES PROVINCES NE PERMETTENT PAS DE RESTRICTION OU D'EXEMPTION SUR LES DOMMAGES DIRECTS OU INDIRECTS OU DE RESTRICTION SUR LES GARANTIES IMPLICITES. DANS CE CAS, CES RESTRICTIONS OU EXEMPTIONS POURRAIENT NE PAS ÊTRE APPLICABLES. CETTE GARANTIE ÉCRITE VOUS PROCURE DES DROITS LÉGAUX SPÉCIFIQUES. IL SE PEUT QUE VOUS AYEZ D'AUTRES DROITS QUI VARIENT SELON L'ÉTAT OU LA PROVINCE.

Si vous avez besoin d'une réparation

Conservez votre reçu, votre bon de livraison ou une autre preuve valide de paiement pour établir la période de la garantie dans le cas où vous devriez faire appel aux services d'un technicien autorisé. Si une réparation doit être effectuée, veuillez obtenir et conserver tous les reçus. Le service auquel vous avez recours en vertu de cette garantie doit être obtenu en communiquant avec Electrolux à l'adresse ou aux numéros de téléphone indiqués ci-dessous.

Cette garantie n'est valide qu'aux États-Unis et au Canada. Aux États-Unis, votre appareil est garanti par Electrolux Major Appliances North America, une division de Electrolux Home Products, Inc. Au Canada, votre appareil est garanti par Electrolux Canada Corp. Personne n'est autorisée à modifier ou à ajouter aux obligations contenues dans cette garantie. Les obligations de cette garantie concernant la réparation et les pièces doivent être remplies par Electrolux ou par une compagnie de réparation autorisée. Les caractéristiques et spécifications décrites ou illustrées peuvent être modifiées sans préavis.

ÉTATS-UNIS

1.800.944.9044

Electrolux Major Appliances

North America

Case postale 212378

Augusta, GA 30907, ÉTATS-UNIS

 **Electrolux**

Canada

1.800.265.8352

Electrolux Canada Corp.

5855 Terry Fox Way

Mississauga, Ontario, Canada

L5V 3E4

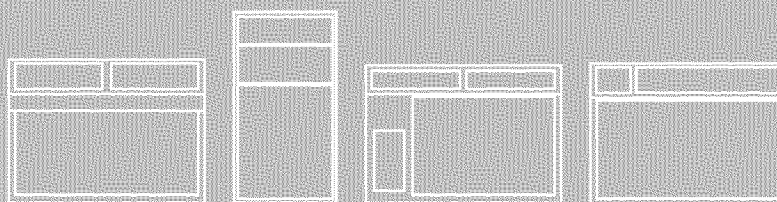
FRIGIDAIRE

Todo sobre

Uso y Cuidados

de su

Aire acondicionado



ÍNDICE DE CONTENIDOS

Instrucciones importantes sobre seguridad.....	2	Cuidados y limpieza.....	6
Registro del producto.....	3	Consejos de ahorro energético.....	6
Empaquetado.....	3	Antes de llamar.....	7
Sonidos normales.....	3	Garantía principal del aparato.....	8
Instrucciones de operación.....	4-5		

Instrucciones importantes sobre seguridad

⚠ ATENCIÓN:

Este MANUAL DE USO Y CUIDADOS proporciona instrucciones de operación específicas para su modelo. Use el aparato de aire acondicionado sólo como se indica en este MANUAL DE USO Y CUIDADOS. Estas instrucciones no están concebidas para cubrir cualquier eventualidad que pueda suceder. Debe emplear precaución y sentido común al instalar, operar y mantener cualquier aparato.

⚠ ATENCIÓN:

El cable de corriente provisto con este aparato contiene un dispositivo cortacorriente diseñado para reducir el riesgo de incendio.

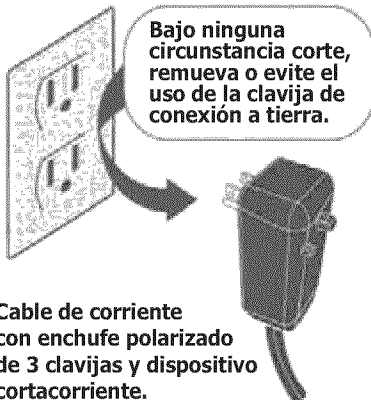
Por favor, consulte la sección 'Operación del dispositivo cortacorriente' para obtener más detalles.

En caso de que el cable provisto resulte dañado, no podrá ser reparado. Deberá ser reemplazado por un cable del fabricante..

⚠ PRECAUCIÓN

Evite el riesgo de incendio o choque eléctrico. No use un alargador ni un adaptador de tomacorrientes. No remueva ninguna clavija del enchufe.

Tomacorrientes polarizado



⚠ PRECAUCIÓN

Por su seguridad

No almacene gasolina ni otros líquidos o vapores inflamables alrededor de este u otro aparato eléctrico. Lea las etiquetas del producto sobre inflamabilidad y otras advertencias.

⚠ PRECAUCIÓN

Prevenga accidentes

Para reducir el riesgo de incendio, choque eléctrico o lesiones al operar su aparato de aire acondicionado, siga unas instrucciones básicas entre las que se encuentran:

- Asegúrese de que la toma eléctrica es adecuada para el modelo que ha escogido. Esta información puede encontrarse en la placa de serie, que está localizada en el interior de la carcasa y detrás de la rejilla.
- Si el aparato de aire acondicionado va a ser instalado en una ventana, probablemente necesitará limpiar antes ambas caras del cristal. Si la ventana es de triple rail con un panel apantallado, remueva éste completamente antes de realizar la instalación.
- Asegúrese de que el aparato de aire acondicionado ha sido instalado firme y correctamente de acuerdo a las instrucciones de montaje provistas con este manual. Guarde este manual y las instrucciones de montaje para un posible uso en el futuro a la hora de remover o reinstalar el equipo.
- Cuando manipule el aparato de aire acondicionado, tenga cuidado para evitar producirse cortes con las aletas metálicas afiladas de la parte delantera y trasera.

⚠ PRECAUCIÓN

Información eléctrica

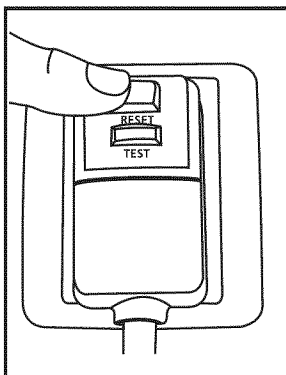
Las especificaciones eléctricas completas de su nuevo aparato de aire acondicionado están expresadas en la placa de serie. Consulte estas especificaciones cuando chequee los requisitos eléctricos.

- Asegúrese de que el aparato de aire acondicionado queda adecuadamente conectado a tierra. Para minimizar el riesgo de choque eléctrico e incendio es importante una polarización adecuada. El cable de corriente está equipado con un enchufe polarizado de tres clavijas para protección contra choques eléctricos.
- Su aparato de aire acondicionado debe conectarse a un tomacorrientes adecuadamente polarizado. Si el tomacorrientes que pretende utilizar no está adecuadamente polarizado o protegido por un fusible retardante o cortacorrientes, consiga que un electricista cualificado le instale un tomacorrientes adecuado.
- No ponga en marcha el aparato de aire acondicionado sin la cubierta protectora exterior en su sitio. Esto podría provocar daños mecánicos en el interior del aparato.
- **No utilice un cable alargador o adaptador de tomacorrientes.**

LEA ESTA SECCIÓN ANTES DE INTENTAR PONER EN FUNCIONAMIENTO EL APARATO DE AIRE ACONDICIONADO. La unidad debe quedar instalada una hora antes de operarla.

Operación del dispositivo cortacorriente

Conéctelo al tomacorrientes y presione RESET



El cable de corriente contiene un dispositivo cortacorriente que detecta daños en el cable. Para comprobar su cable de corriente haga lo siguiente:

1. Enchufe el aparato de aire acondicionado.
2. El cable de corriente tiene DOS botones en el enchufe. Presione el botón TEST. Percibirá un sonido al tiempo que el botón RESET sale hacia fuera.
3. Presione el botón RESET. De nuevo percibirá un sonido al encajar el botón en su lugar.
4. El cable de corriente estará en este momento suministrando electricidad a la unidad. (En algunos productos esto se indica además con un piloto en el enchufe)

⚠ ATENCIÓN:

- No use este dispositivo para encender y apagar la unidad.
- Asegúrese siempre de que el botón RESET está presionado antes de operar el aparato.
- El cable de corriente debe ser reemplazado si falla el reseteo ya sea al presionar el botón TEST o si no puede ser reseteado. Deberá obtener uno nuevo del fabricante del producto.
- Si el cable de corriente resulta dañado, NO PODRÁ ser reparado. DEBE ser reemplazado por otro obtenido del fabricante del producto.

Registro del producto, Empaquetado y Sonidos normales

Registro del producto **Guarde los números de Modelo y de Serie de su aparato**

Escriba en el espacio provisto abajo los números de modelo y de serie. En todos los modelos, la placa de serie está localizada en la parte exterior de la carcasa.

Nº de Modelo: _____

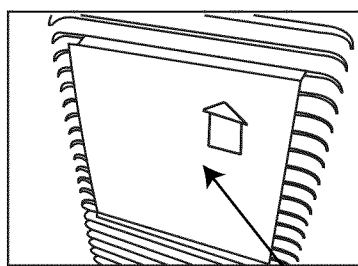
Nº de Serie: _____

Registre su producto

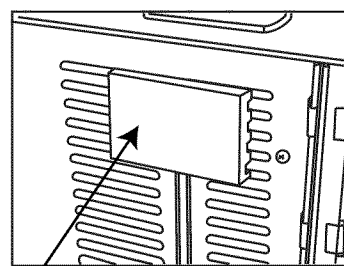
La TARJETA DE REGISTRO DEL PRODUCTO pre-franqueada debe ser rellena completamente, firmada y devuelta a la Compañía Frigidaire.

Empaquetado

Remueva todo el empaquetado del interior de la caja, junto con todos los separadores insertados en los paneles laterales.



EMPAQUETADOS



SEPARADORES

Sonidos normales

Traqueteo agudo

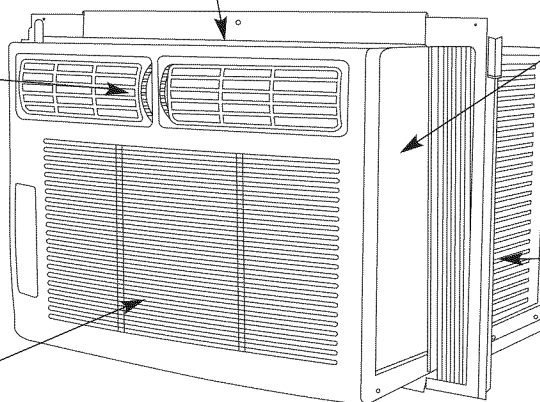
Los compresores modernos de alto rendimiento pueden presentar un traqueteo agudo durante el ciclo de enfriado.

Vibración

La unidad puede vibrar y hacer ruido debido a una estructura débil de la pared o la ventana, o a una instalación incorrecta.

Sonido de ráfagas de aire

Delante de la unidad, puede oír el sonido de ráfagas de aire que son movidas por el ventilador.



Borboteo/Siseo

Un sonido parecido a un "borboteo o siseo" puede escucharse debido al refrigerante pasando a través del evaporador durante una normal operación.

Goteo o chapoteo

Las gotas de agua que caen sobre el condensador durante la normal operación del producto pueden producir sonidos de "goteo o chapoteo".

Instrucciones de operación

Usando el aparato de aire acondicionado

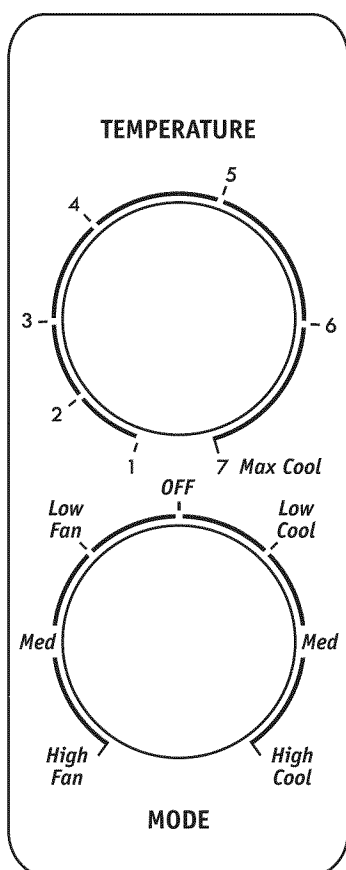
Para comenzar a operar el aparato de aire acondicionado, siga estos pasos:

1. Configure el selector de temperatura al número más alto (configuración más fría o más cálida).
2. Configure el control de modo en la opción más fuerte de COOL (frío).
3. Ajuste las palas para conseguir un flujo de aire cómodo (vea 'Palas de dirección del aire').
4. Una vez la estancia se haya enfriado, ajuste el selector de temperatura a la configuración más cómoda para usted.

Revise en la sección "Instrucciones de operación" otras configuraciones.

Instrucciones de operación

Los controles referidos en este manual son representativos de la mayoría de modelos disponibles. Su modelo puede presentar pequeñas diferencias.



Selector de temperatura

Se usa para establecer la temperatura deseada para la estancia cuando la unidad está siendo operada en "COOL MODE" (modo frío).

Para seleccionar la temperatura deseada para la estancia, rote el selector hasta la configuración deseada. Después de haber alcanzado la temperatura especificada, el termostato arrancará y detendrá automáticamente el compresor para mantener dicha temperatura.

Rote el selector de temperatura en sentido horario para establecer una configuración de frío más alta. Una configuración altamente fría provocará una temperatura más baja en la estancia.

Rote el selector de temperatura en sentido anti-horario para establecer una configuración más baja de frío.

Una configuración de frío baja provocará una temperatura más alta en la estancia.

Modo frío

La configuración de frío deseada es seleccionada rotando la rueda MODE al lugar apropiado.

"high cool" (frío alto) provoca un efecto máximo de frío y fuerza del aire.

"Med" tiene el efecto de enfriado y flujo de aire intermedio.

"low cool" (frío bajo) provoca un efecto mínimo de frío y fuerza del aire.

Nota: Si su unidad viene equipada con una maneta de ventilación, manténgala cerrada para conseguir la máxima eficiencia.

Modo ventilador

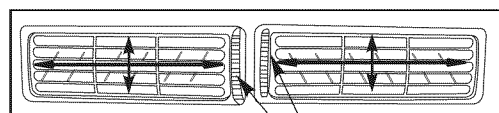
Rote el botón MODE a la izquierda para seleccionar su preferencia de velocidad de ventilador para la circulación de aire.

Nota: Al seleccionar la velocidad de ventilador, el compresor no funcionará. En los modelos con control de salida de aire, este modo se puede usar para eliminar el aire viciado del ambiente o para hacer ingresar aire fresco al ambiente. Chequee la sección "Mas Detalles Que Debera Saber".

PRECAUCIÓN

Por favor, espere siempre por 3 minutos entre apagado y encendido de la unidad, y cuando cambie de modo frío a ventilador y de vuelta. Esto evitará que el compresor se sobrecaliente y una eventual rotura del cortacorrientes. No seguir estas instrucciones puede resultar dañino para su equipo.

Instrucciones de operación (continuación)



(8 VÍAS)

RUEDAS DE
TORNO SIN FIN

Palas de dirección del aire

Las palas de dirección del aire controlan la dirección del flujo. Su aparato de aire acondicionado tiene el tipo de palas descrito más abajo.

Tipo tornillo sin fin

Las rejillas le permitirán dirigir el flujo de aire hacia Arriba o Abajo y hacia la Izquierda o la Derecha, en el ambiente y según se necesita. Rote dichas ruedas hasta obtener la dirección deseada, Izquierda/Derecha. Pivotee las rejillas horizontales hasta obtener la dirección deseada, Arriba/Abajo.

MAS DETALLES QUE DEBERA SABER

Ahora que domina el proceso de operación, aquí hay más funciones con las que deberá familiarizarse.

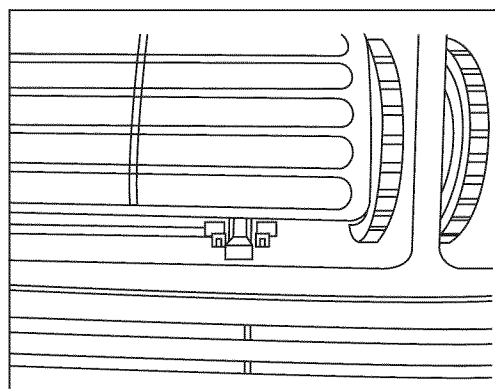


Figura 1 (REJILLA CERRADA)

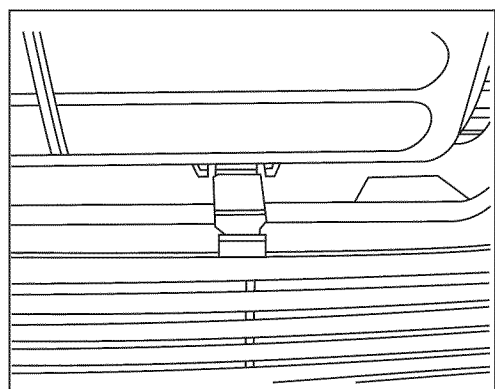


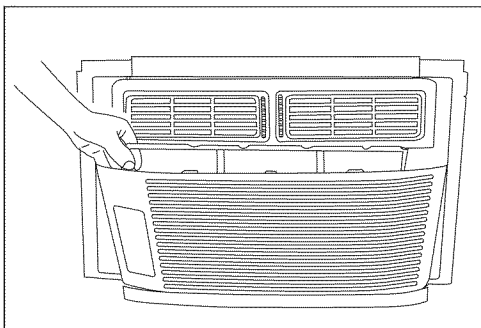
Figura 2 (REJILLA ABIERTA)

Control para Rejilla Aire Fresco

El Control para Rejilla Aire Fresco permite al aire acondicionado:

1. Recircular el aire del interior – Rejilla Cerrada (Ver Fig. 1)
2. Intercambiar el aire del ambiente – Rejilla Abierta (ver Fig. 2)

Cuidados y limpieza



Limpe de tanto en tanto su aparato de aire acondicionado de forma que se mantenga como nuevo. **Asegúrese de desconectar el equipo de la corriente antes de limpiarlo para evitar incendios y choques eléctricos.**

Limpieza del filtro de aire

El filtro de aire debe ser revisado al menos una vez al mes por si acaso es necesario limpiarlo. Las partículas atrapadas en el filtro pueden acumularse causando bloques de hielo en las rejillas de refrigeración.

- Pulse la manija de la rejilla hacia la posición Rejilla Cerrada (si corresponde).
- Abra el panel frontal.
- Tome el filtro por el centro y tire hacia arriba y hacia afuera.
- Lave el filtro usando jabón líquido y agua templada. Aclare el filtro cuidadosamente. Sacuda suavemente el exceso de agua del filtro. Asegúrese de que el filtro está completamente seco antes de volverlo a colocarlo.
- Como alternativa a lavarlo, puede limpiar el filtro con una aspiradora.

Limpieza de la carcasa

- Asegúrese de desconectar el equipo de la corriente antes de limpiarlo para evitar incendios y choques eléctricos. La carcasa y el frontal pueden sacudirse con un paño sin aceites o lavarse con un paño humedecido en una solución de agua tibia y jabón líquido suave. Aclare cuidadosamente y seque.
- Nunca utilice limpiadores duros, ni cera o pulidores en el frontal de la carcasa.
- Asegúrese de escurrir el exceso de agua del paño antes de limpiar alrededor de los controles. El exceso de agua en los controles o su alrededor puede causar daños al aparato.
- Conecte el aparato de aire acondicionado a la corriente.

Almacenamiento en invierno

Si planea almacenar el aparato de aire acondicionado durante el invierno, remuévalo cuidadosamente de la ventana de acuerdo a las instrucciones de montaje. Cúbralo con plástico o devuélvalo al embalaje original.

Consejos de ahorro energético



- **No bloquee la salida interior de aire con cortinas, persianas o muebles; ni el exterior con arbustos, cercados ni otros edificios.**
- La capacidad del aparato de aire acondicionado debe ser adecuada para la estancia para conseguir una operación eficiente y satisfactoria.
- Instale el aparato de aire acondicionado en el lado de su casa donde no pegue el sol. Una ventana que encare al norte es mejor ya que queda a la sombra la mayor parte del día.
- Cierre la compuerta de la chimenea, así como las rejillas de ventilación de suelos y paredes de modo que el aire frío no se escape por los conductos de ventilación ni por la chimenea.
- Mantenga las cortinas y persianas de las demás ventanas cerradas durante la hora más soleada del día.
- Limpie el filtro del aire como se recomienda en la sección "Cuidados y limpieza".
- Un aislamiento adecuado y burletes en puertas y ventanas de su hogar ayudarán a mantener el aire cálido fuera y el frío dentro.
- Tener la casa a la sombra de árboles, plantas o toldos contribuye a reducir la carga de trabajo del aparato de aire acondicionado.
- Use los aparatos eléctricos que produzcan calor tales como estufas, lavaplatos, secadoras y lavadoras durante la hora más fresca del día.

Antes de llamar al servicio técnico, revise esta lista. Puede ahorrarle tiempo y costos. Esta lista incluye problemas comunes que no son consecuencia de un trabajo o materiales defectuosos en el equipo.

SUCESO	SOLUCIÓN
El aparato no opera.	<p>El enchufe está desconectado. Afiance firmemente el enchufe en el tomacorrientes.</p> <p>El dispositivo cortacorriente del enchufe ha saltado. Oprima el botón RESET.</p> <p>El fusible o el diferencial del circuito eléctrico doméstico han saltado. Reemplace el fusible por uno retardante o restablezca el diferencial.</p> <p>El selector de control está en posición OFF (apagado). Establezca el selector en ON (encendido) o en la posición FAN (ventilador) o COOL (frío) deseada (según el modelo).</p> <p>El equipo se apagó al moverse el termostato a un número más elevado e inmediatamente volver a un número más frío. Aguarde aproximadamente por 3 minutos. Escuche cuándo el compresor se reinicia.</p> <p>El equipo se apagó y se encendió de nuevo demasiado deprisa. Apague el equipo y aguarde por 3 minutos antes de volver a encenderlo.</p> <p>Selector de temperatura demasiado bajo. Ajuste el selector de temperatura a un número más alto para enfriar.</p>
El aire que sale del equipo no está suficientemente frío.	<p>Establezca el selector en una posición COOL (frío) más alta.</p> <p>El selector de la temperatura está configurado demasiado templado. Establezca el selector a una temperatura más fría.</p> <p>La temperatura de la estancia está por debajo de 60 °F (16 °C). No podrá enfriarse la estancia hasta que la temperatura se eleve por encima de 60 °F (16 °C).</p> <p>La sonda del termostato está tocando el circuito refrigerante, localizado detrás del filtro de aire. Coloque la sonda para que no toque el circuito.</p>
El aparato de aire acondicionado está enfriando, pero la estancia continúa demasiado caliente - se está formando hielo en el circuito refrigerante de detrás del frontal decorativo	<p>La temperatura en el exterior es inferior a 60 °F (16 °C). Para descongelar el circuito refrigerante, establezca el selector en una posición FAN (ventilador). Después, establezca el termostato en una posición más templada.</p> <p>El filtro de aire puede estar sucio. Limpie el filtro. Consulte la sección 'Cuidados y limpieza'. Para descongelar, establezca el selector en FAN (ventilador).</p> <p>El selector de temperatura está establecido demasiado frío para la noche. Para descongelar el circuito, establezca el selector en una posición FAN (ventilador). Después, establezca el selector de temperatura en una posición más templada.</p>
El aparato de aire acondicionado está enfriando, pero la estancia continúa demasiado caliente - NO se forma hielo en el circuito refrigerante de detrás del frontal decorativo.	<p>Filtro de aire sucio - flujo de aire restringido. Limpie el filtro de aire. Consulte la sección 'Cuidados y limpieza'.</p> <p>El selector de temperatura está establecido demasiado templado. Rote el selector de temperatura en sentido horario hacia una configuración más fría.</p> <p>Las palas de dirección de aire están mal posicionadas. Posicione las palas para conseguir una mejor distribución de aire.</p> <p>El frontal del equipo está bloqueado por cortinas, persianas, muebles, etc. - que restringen el flujo de aire. Remueva el bloqueo de delante del equipo.</p> <p>Puertas, ventanas, ventilaciones, etc. están abiertas - el aire frío se escapa. Cierre todas las puertas, ventanas, ventilaciones, etc.</p> <p>El equipo acaba de ser encendido en una estancia cálida. Conceda algo más de tiempo para remover el calor "almacenado" en paredes, techos, suelos y muebles.</p>
El aparato de aire acondicionado se enciende y apaga rápidamente.	<p>Filtro de aire sucio - flujo de aire restringido. Limpie el filtro.</p> <p>La temperatura exterior es extremadamente cálida. Establezca el selector en High Cool (frío alto) para conseguir que el aire circule más rápidamente por el circuito refrigerador.</p>
Se escuchan ruidos cuando el equipo está operando.	<p>Sonido de aire moviéndose. Esto es normal. Si es muy alto, establezca el selector en una posición FAN (ventilador) más baja.</p> <p>Sonido de ventilador golpeando el sistema de removido de agua-humedad. Esto es normal cuando la humedad es alta. Cierre puertas, ventanas y ventilaciones.</p> <p>Vibración de la ventana - instalación defectuosa. Consulte las instrucciones de montaje o al instalador.</p>
Agua goteando EN EL INTERIOR cuando el equipo opera.	<p>Instalación inadecuada. Incline ligeramente el aparato de aire acondicionado hacia el exterior para permitir el drenaje del agua. Consulte las instrucciones de montaje o al instalador.</p>
Agua goteando EN EL EXTERIOR cuando el equipo opera.	<p>El equipo está removiendo una gran cantidad de humedad de una estancia húmeda. Esto es normal durante días excesivamente húmedos.</p>
Estancia demasiado fría.	<p>El selector de temperatura está configurado demasiado alto, seleccione un número más bajo en el dial de temperatura.</p>

Si estas soluciones no le sirven, llame al servicio técnico de Frigidaire al 1-800-944-9044.

Garantía principal del aparato

Su electrodoméstico está cubierto por una garantía completa de un año, y una garantía limitada 2do a 5to año (Sistema Sellado). Durante un año a partir de la fecha original de compra, Electrolux cubrirá todos los costos de reparación o reemplazo de cualquier pieza de éste electrodoméstico que se encuentren defectuosas en materiales o mano de obra cuando el electrodoméstico se instala, utiliza y mantiene de acuerdo con las instrucciones proporcionadas. Los años del segundo al quinto año desde la fecha de compra original, Electrolux reparar o reemplazar cualquier parte en el Sistema de Refrigeración Sellado (compresor, condensador, evaporador y tuberías) que demuestre estar defectuosa en materiales o mano de obra. El consumidor será responsable de el costo del diagnóstico y cualquier costo de desmontamiento, transporte y reinstalación que sean necesarios para el servicio, costos de labor, partes y transporte con respecto a otro que no sea el Sistema de Refrigeración Sellado.

Exclusiones Esta garantía no cubre lo siguiente:

1. Productos a los que se les quitaron o alteraron los números de serie originales o que no pueden determinarse con facilidad.
2. Productos que hayan sido transferidos del dueño original a un tercero o que no se encuentren en los EE.UU. o en Canadá.
3. Óxido en el interior o exterior de la unidad.
4. Los productos comprados "previamente usados o productos de muestra" no están cubiertos por esta garantía.
5. Pérdida de alimentos por fallas del refrigerador o congelador.
6. Productos utilizados para fines comerciales.
7. Las llamadas de servicio que no involucren el funcionamiento defectuoso ni los defectos de materiales o de mano de obra, o para electrodomésticos que no sean utilizados para uso normal del hogar o de acuerdo con las instrucciones proporcionadas.
8. Llamadas de servicio para corregir errores de instalación del electrodoméstico o para instruirlo sobre el uso del mismo.
9. Gastos para facilitar el acceso al electrodoméstico para el servicio, tales como la remoción de molduras, armarios, estantes, etc. que no eran parte del electrodoméstico cuando se envió de la fábrica.
10. Llamadas de servicio para reparar o reemplazar bombillas, filtros de aire, filtros de agua, otros consumibles, perillas, manijas u otras piezas decorativas.
11. Costos adicionales que incluyen, sin limitarse, cualquier llamada de servicio fuera de las horas de oficina, durante los fines de semana o días feriados, peajes, pasajes de transporte o millaje/kilometraje para llamadas de servicio en áreas remotas, incluyendo el estado de Alaska.
12. Daños al acabado del electrodoméstico o al hogar que hayan ocurrido durante la instalación, incluyendo, sin limitarse, los armarios, paredes, etc.
13. Daños causados por: servicio realizado por compañías de servicio no autorizadas, el uso de piezas que no sean piezas genuinas Electrolux o piezas obtenidas de personas que no pertenezcan a compañías de servicio autorizado, o causas externas como abuso, mal uso, suministro eléctrico inadecuado, accidentes, incendios, hechos fortuitos o desastres naturales.

RENUNCIA DE RESPONSABILIDAD DE GARANTÍAS IMPLÍCITAS; LIMITACIÓN DE ACCIONES LEGALES

LA ÚNICA Y EXCLUSIVA OPCIÓN DEL CLIENTE BAJO ESTA GARANTÍA LIMITADA ES LA REPARACIÓN O REEMPLAZO DEL PRODUCTO SEGÚN SE INDICA. LOS RECLAMOS BASADOS EN GARANTÍAS IMPLÍCITAS, INCLUYENDO LAS GARANTÍAS DE COMERCIALIZACIÓN O APTITUD DEL PRODUCTO PARA UN PROPÓSITO ESPECÍFICO, ESTÁN LIMITADOS A UN AÑO O AL PERÍODO MÍNIMO PERMITIDO POR LEY, PERO NUNCA MENOS DE UN AÑO. ELECTROLUX NO SERÁ RESPONSABLE POR DAÑOS CONSECUENTES O INCIDENTALES COMO POR EJEMPLO DAÑOS A LA PROPIEDAD Y GASTOS INCIDENTALES OCASIONADOS POR EL INCUMPLIMIENTO DE ESTA GARANTÍA ESCRITA O DE CUALQUIER GARANTÍA IMPLÍCITA. ALGUNOS ESTADOS Y PROVINCIAS NO PERMITEN LA EXCLUSIÓN O LIMITACIÓN DE DAÑOS INCIDENTALES O CONSECUENTES O LIMITACIONES EN LA DURACIÓN DE LAS GARANTÍAS IMPLÍCITAS, DE MANERA QUE PUEDE QUE ESTAS LIMITACIONES O EXCLUSIONES NO SE APLIQUEN EN SU CASO. ESTA GARANTÍA ESCRITA LE OTORGA DERECHOS LEGALES ESPECÍFICOS. ESO POSIBLE QUE TAMBIÉN TENGA OTROS DERECHOS QUE VARÍAN DE UN ESTADO A OTRO.

Si tiene que solicitar servicio técnico

Guarde su recibo, el comprobante de entrega o cualquier otro registro de pago adecuado para establecer el período de la garantía si llegara a requerir servicio. Si se realiza la reparación, le conviene obtener y conservar todos los recibos. El servicio realizado bajo esta garantía debe ser obtenido a través de Electrolux utilizando las direcciones o números que se indican abajo.

Esta garantía sólo se aplica en los Estados Unidos y Canadá. En los EE.UU., su electrodoméstico está garantizado por Electrolux Major Appliances North America, una división de Electrolux Home Products, Inc. En Canadá, su electrodoméstico está garantizado por Electrolux Canada Corp. Electrolux no autoriza a ninguna persona a cambiar o agregar ninguna obligación bajo esta garantía. Nuestras obligaciones de reparación y piezas bajo esta garantía deben ser realizadas por Electrolux o compañía de servicio autorizado. Las especificaciones o características del producto según se describen o ilustran están sujetas a cambio sin previo aviso.

EE. UU.

1.800.944.9044

Electrolux Major Appliances
North America
P.O. Box 212378
Augusta, GA 30907



Canadá

1.800.265.8352

Electrolux Canada Corp.
5855 Terry Fox Way
Mississauga, Ontario, Canada
L5V 3E4