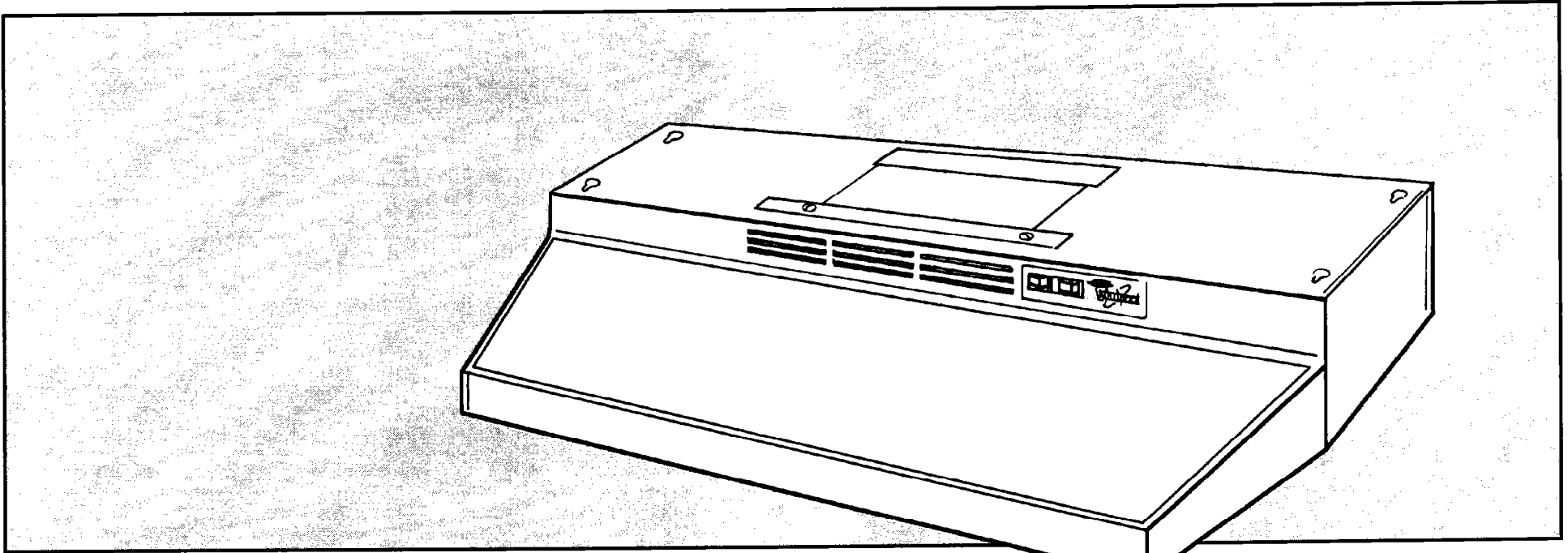


Installation Instructions



Part No. 626-700/883146 Rev. E

IMPORTANT:
Read and save
these instructions.

IMPORTANT:

Installer: Leave Installation Instructions
with homeowner.

Homeowner: Keep Installation Instructions
for future reference.

Save Installation Instructions for electrical
inspector's use.

**24" and 30" Convertible
Range Hood**

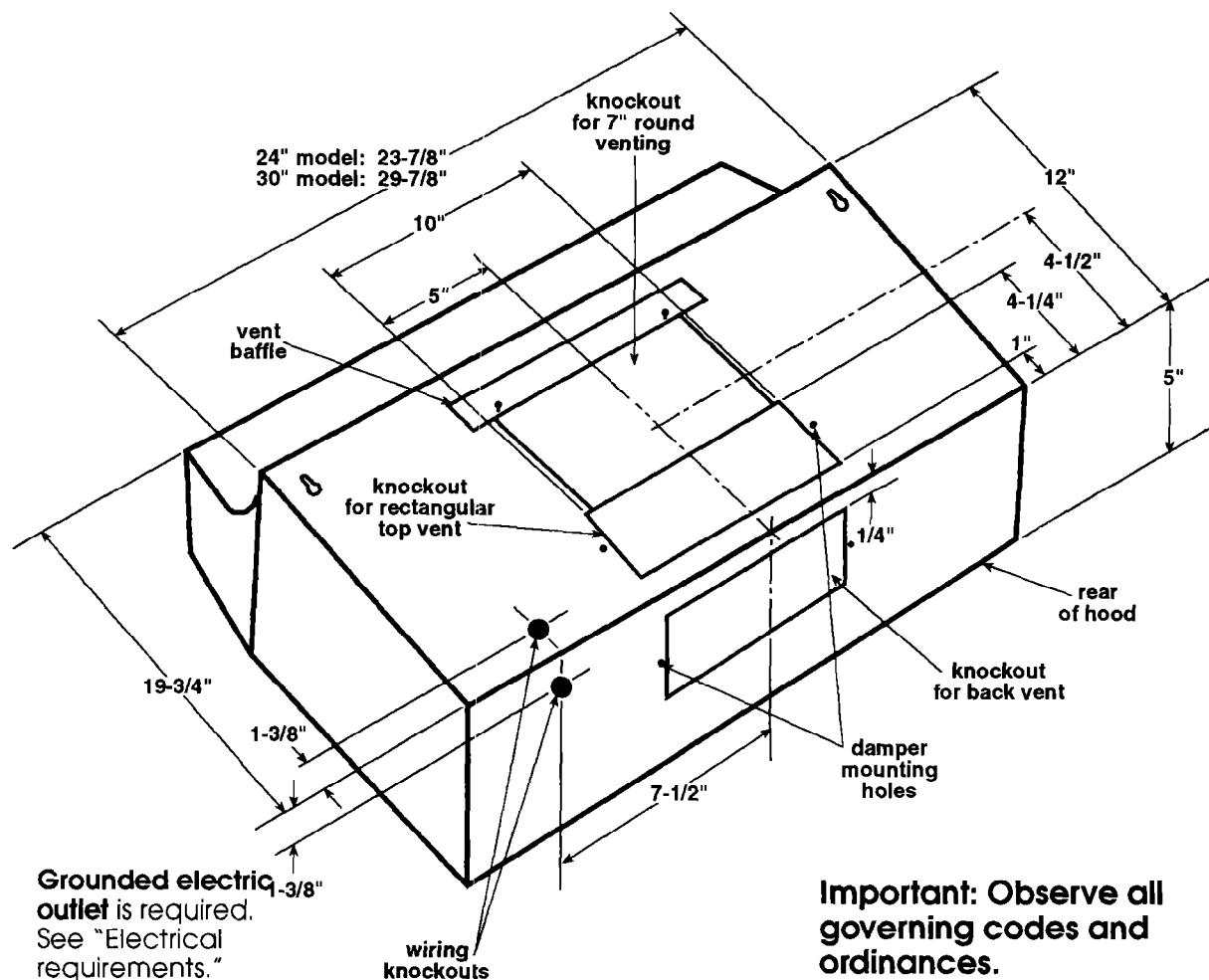


10/93

Before you start...

Proper installation is your responsibility. Make sure you have everything necessary for correct installation. It is the responsibility of the installer to comply with the clearances specified.

Check the location where the range hood will be installed. The location should be away from strong draft areas, such as windows, doors, and strong heating vents.



Grounded electric outlet is required. See "Electrical requirements."

Important: Observe all governing codes and ordinances.

⚠ WARNING

Electrical Shock Hazard

It is the customer's responsibility:

- To contact a qualified electrical installer.
- To assure that the electrical installation is adequate and in conformance with National Electrical Code, ANSI/NFPA 70 — latest edition*, and all local codes and ordinances.

Failure to do so could result in fire, electrical shock or other personal injury.

Care must be taken when drilling holes into wall. Electrical wires may be concealed behind the wall covering.

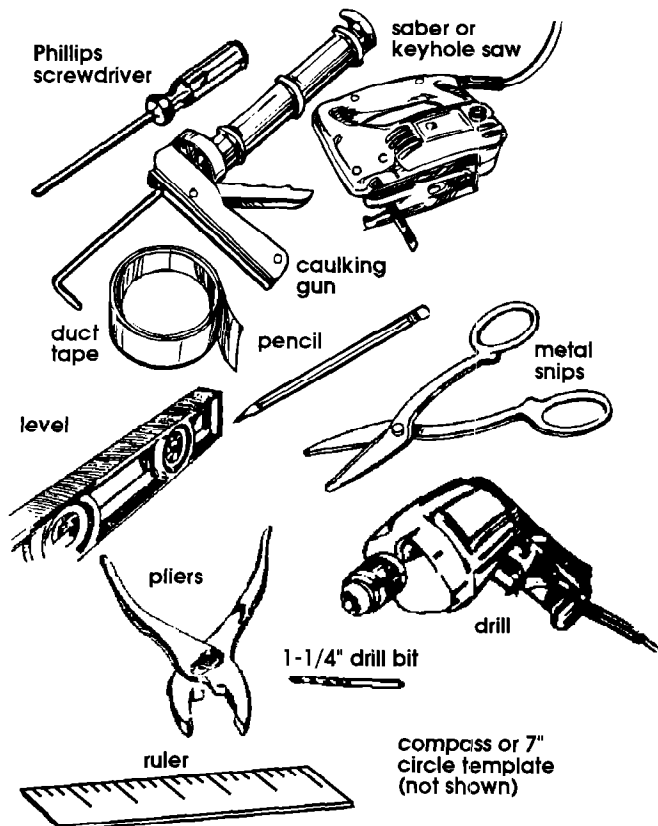
Failure to do so could result in electrical shock or other personal injury.

Personal Injury Hazard

Reaching over a heated cooking surface should be avoided. To reduce the hazard of being burned, the range hood should extend a minimum of 5 inches out from the bottom of the cabinet.

Reaching over a heated cooking surface could result in a serious burn.

Tools and materials needed for installation:



Mobile home installation

The installation of this range hood must conform to the Manufactured Home Construction Safety Standards, Title 24 CFR, Part 3280 (formerly the Federal Standard for Mobile Home Construction and Safety, Title 24, HUD, Part 280) or when such standard is not applicable, the Standard for Manufactured Home Installation 1982 (Manufactured Home Sites, Communities and Setups) ANSI A225, 1-1987, or latest edition, or with local codes.

Four-wire power supply must be used and the appliance wiring must be revised. See "Electrical requirements."

Copies of standards listed may be obtained from:

* National Fire Protection Association
Batterymarch Park
Quincy, Massachusetts 02269

Electrical requirements

⚠ WARNING

Electrical Shock Hazard

- Electrical ground is required on this appliance.
- If cold water pipe is interrupted by plastic, non-metallic gaskets or other insulating materials, Do Not use for grounding.
- Do Not ground to a gas pipe.
- Do Not modify the power supply cord plug. If it does not fit the outlet, have a proper outlet installed by a qualified electrician.
- Do Not have a fuse in the neutral or grounding circuit. A fuse in the neutral or grounding circuit could result in an electrical shock.
- Do Not use an extension cord with this appliance.
- Check with a qualified electrician if you are in doubt as to whether the appliance is properly grounded.

Failure to follow these instructions could result in serious injury or death.

If codes permit and a separate grounding wire is used, it is recommended that a qualified electrician determine that the grounding path is adequate.

A. A 115-volt, 60-Hz, AC-only, fused electrical supply is required. The total ampere load used, including the range hood, must not exceed 90% of the rated capacity of the circuit. The ampere rating of the range hood is located on the serial/rating plate located on the underside of the range hood.

B. It is the personal responsibility and obligation of the customer to contact a qualified electrician to assure that the electrical installation is adequate and in conformance with the National Electrical Code ANSI/NFPA 70 — latest edition* and all local codes and ordinances.

C. The range hood must be connected with copper wire only.

D. The range hood should be connected directly to the fused disconnect (or circuit breaker) box through flexible armored or nonmetallic sheathed copper cable. A U.L.-listed strain relief must be provided at each end of the power supply cable. Wire sizes (COPPER WIRE ONLY) and connections must conform with the rating of the appliance as specified on the serial/rating plate.

Wire sizes must conform to the requirements of the National Electrical Code ANSI/NFPA 70 — latest edition*, and all local codes and ordinances.

Venting requirements

⚠ WARNING

Fire Hazard

- Terminate venting system to outside.
- Do Not terminate the vent in an attic or other enclosed space.

Failure to follow these instructions could result in a fire.

Ductwork needed for installation is not included. Wall or roof caps used must have backdraft damper.

Determine which outside venting method needs to be used. NOTE: If a non-vented (recirculating) installation is desired, follow instructions on Panel D.

The length of the ductwork and number of elbows should be kept to a minimum to provide efficient performance. The size of the ductwork should be uniform. Do Not install two elbows together. Use duct tape to seal all joints in the ductwork system. Ductwork can terminate either through the roof or wall. Use caulking to seal exterior wall or roof opening around exhaust hood. For the most efficient and quiet operation, it is recommended that the range be vented vertically through the roof through 7" round ductwork.

Figures 1-4 show common venting methods and what types of materials are needed.

Vertical Roof Venting

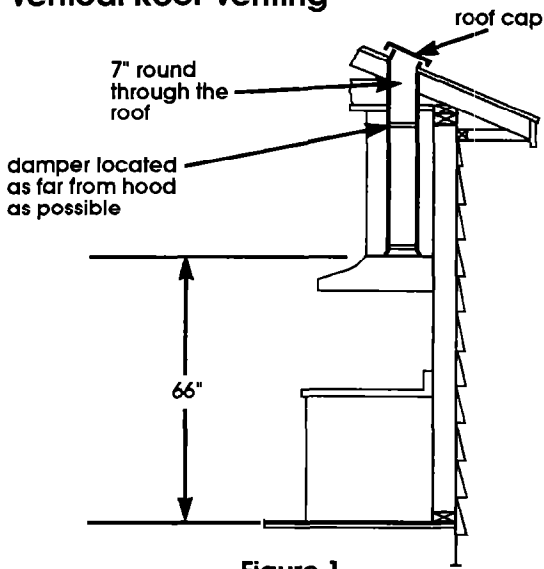


Figure 1

Vertical Roof Venting

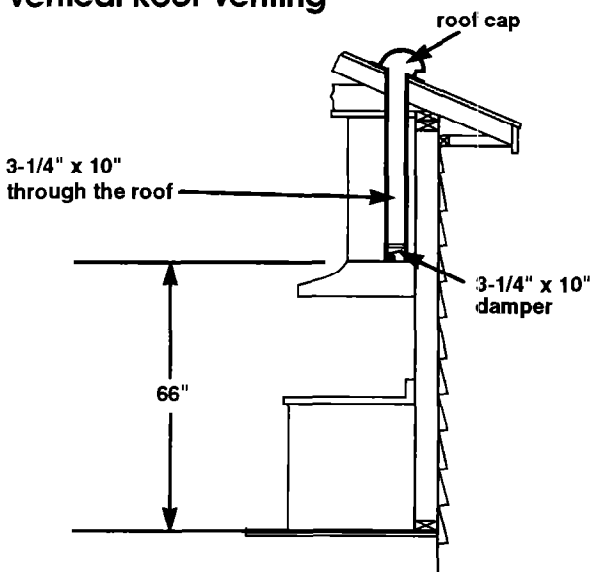


Figure 2

Horizontal Wall Venting

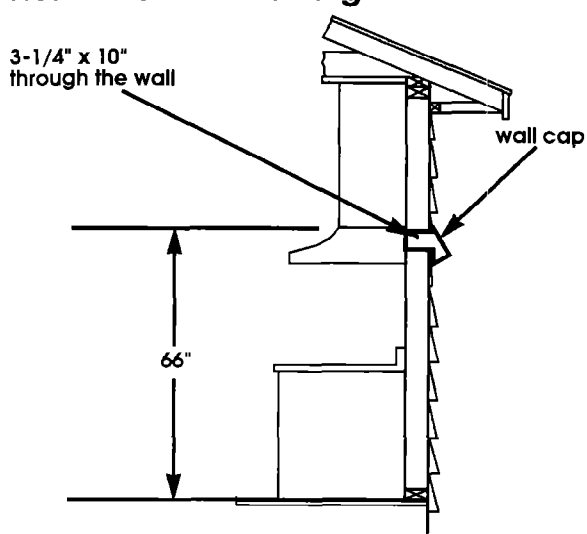


Figure 3

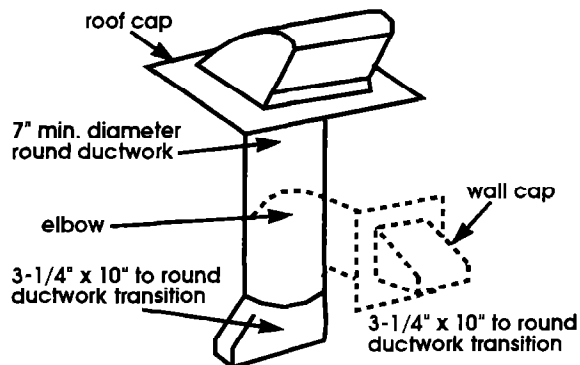
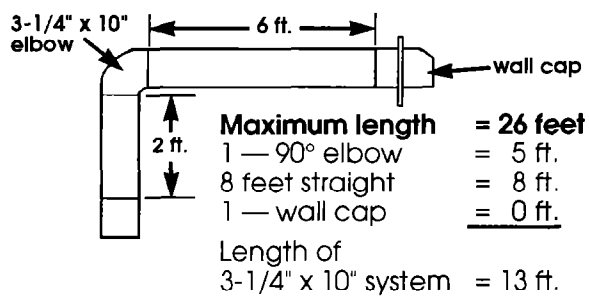


Figure 4

Recommended ductwork length

Use 3-1/4" x 10" or 7" ductwork with a maximum length of 26 feet for ductwork system. For best performance, use no more than three 90° elbows. To calculate the length of system you need, add the equivalent feet for each ductwork piece used in the system. See the following examples.

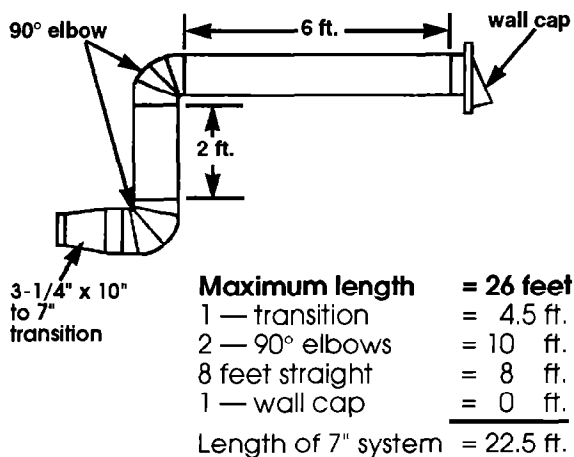
3-1/4" x 10" ductwork system



Recommended standard fittings

3-1/4" x 10" 90° elbow = 5 ft.	3-1/4" x 10" flat elbow = 12 ft.	3-1/4" x 10" wall cap = 0 ft.

7" ductwork system



Recommended standard fittings

3-1/4" x 10" to 7" = 4.5 ft.	3-1/4" x 10" to 7" 90° elbow = 5 ft.	7" to 3-1/4" x 10" 90° elbow = 9 ft.	
90° elbow = 5 ft.	7" to 3-1/4" x 10" = 1 ft.	45° elbow = 2.5 ft.	7" wall cap = 0 ft.

Now start...

With range hood in kitchen.

⚠ CAUTION

Property Damage

Slide cardboard or hardboard under range before moving range across floor. Failure to do so could cause damage to floor covering.

Cover countertop, cooktop or set-in range with a thick, protective covering.

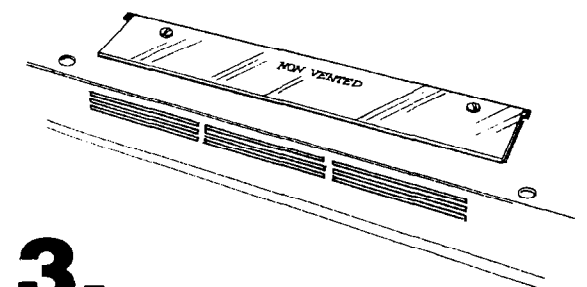
Failure to do so may result in property damage.

1. Disconnect and move freestanding range from cabinet opening to provide easier access to upper cabinet and rear wall. Put a thick, protective covering over cooktop, set-in range or countertop to protect from damage or dirt.

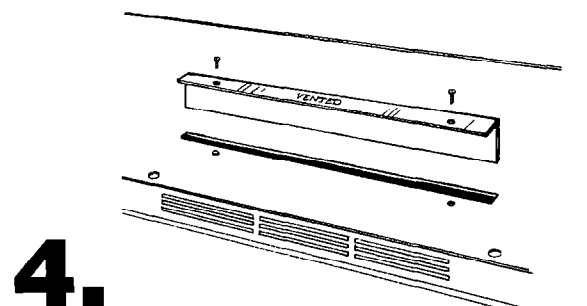
2. Determine which venting method (roof or wall venting or non-venting) you need to use. This range hood is shipped for non-vented installation.

If non-venting (recirculating) installation is desired, follow instructions on Panel D.

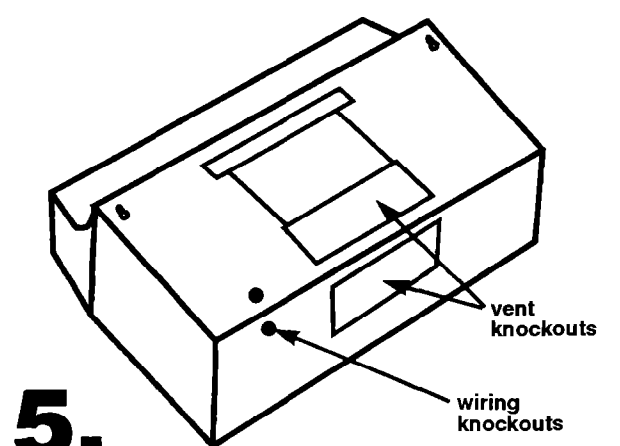
Vented installation



3. Remove screws from vent baffle on top of range hood. Remove vent baffle.



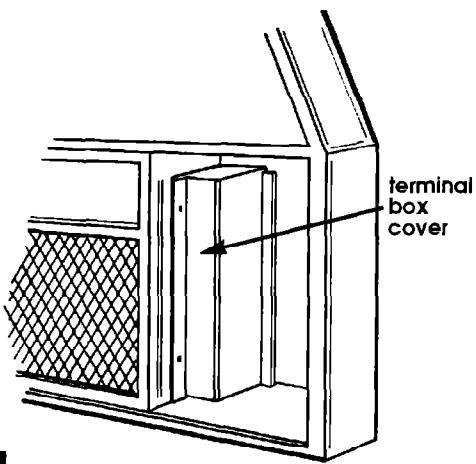
4. Turn bent baffle and reinsert in slot in top of range hood so that the word "Vented" is facing up. Fasten vent baffle with screws.



5. Remove knockout from the wiring opening (top or rear) to be used.

For rectangular venting, remove only the 3-1/4" x 10" rectangular opening knockout.

For round ductwork venting through roof, remove both opening knockouts.



6.

Remove terminal box cover from range hood.

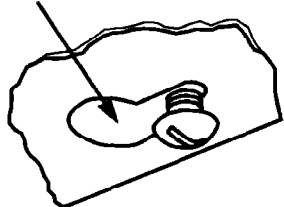
! WARNING

Personal Injury Hazard

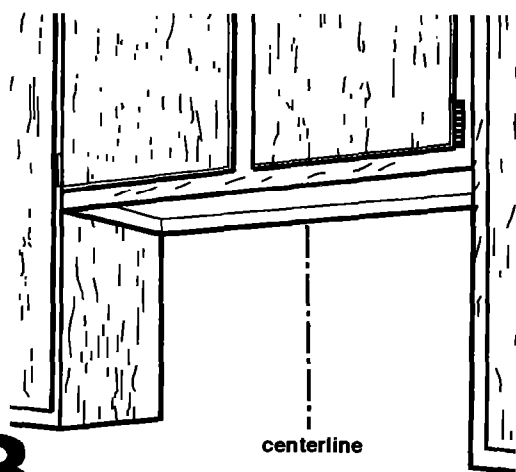
More than one person is required to help with appliance installation because of its weight and size.

Failure to follow these instructions may result in personal injury.

keyhole slot

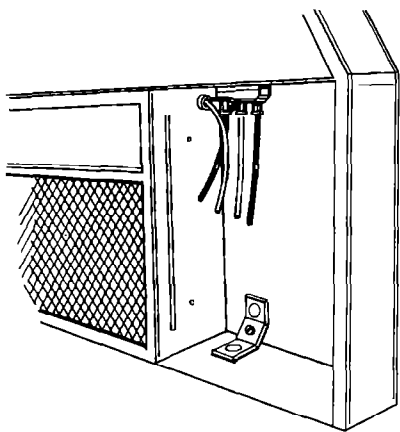


7. Lift the range hood into final position and center. Mark on the underside of cabinet the location of the four keyhole mounting slots. Set range hood aside on a protected surface.



8.

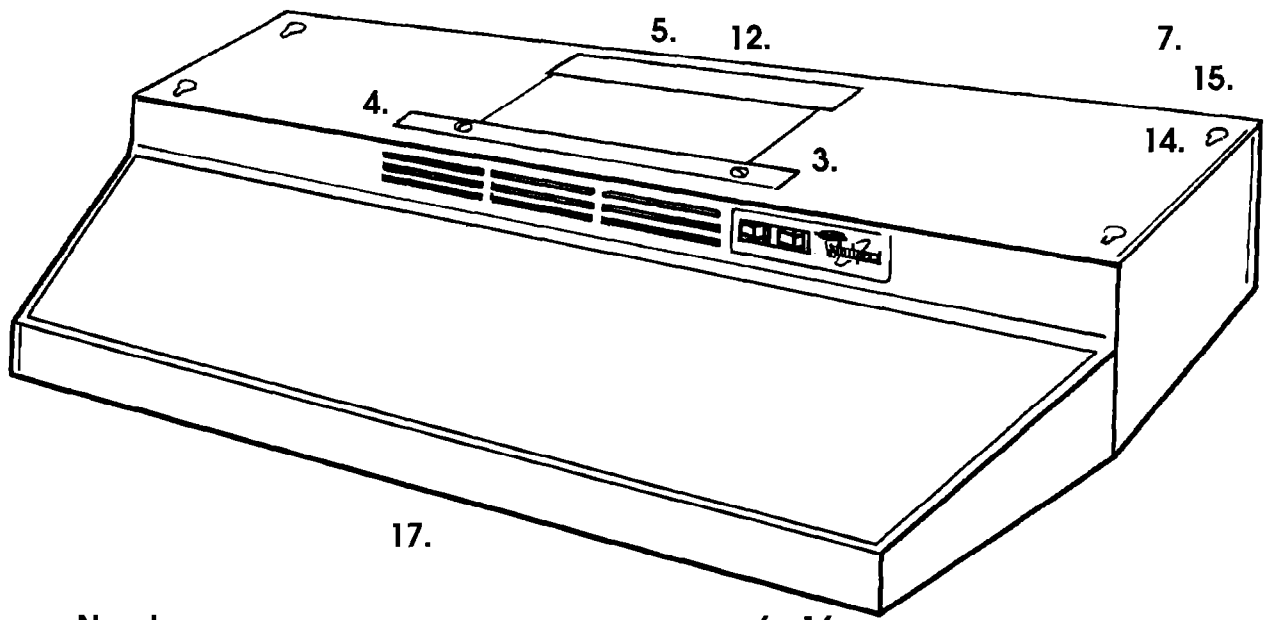
Determine and clearly mark a vertical centerline on the wall and cabinet in the area the vent opening will be made.



9.

To wire through top, mark a line 7-1/2" from the right of the centerline on the underside of the cabinet. Mark the point on this line that is 1-3/8" from back wall. Drill a 1-1/4" diameter hole through the cabinet at this point.

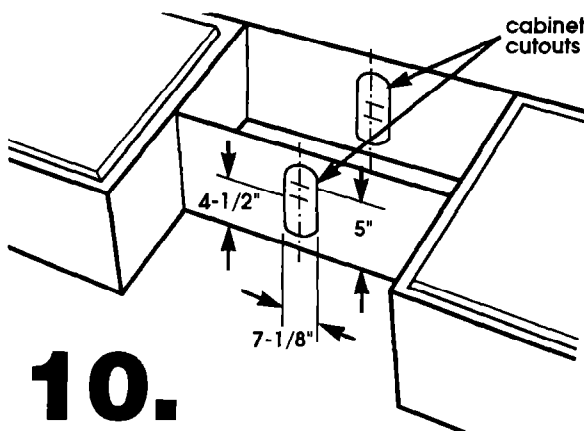
To wire through rear, mark a line 7-1/2" from the right of the centerline on the wall. Mark the point on this line that is 64-5/8" from the floor (or 1-3/8" from underside of cabinet). Drill a 1-1/4" diameter hole through wall at this point.



17.

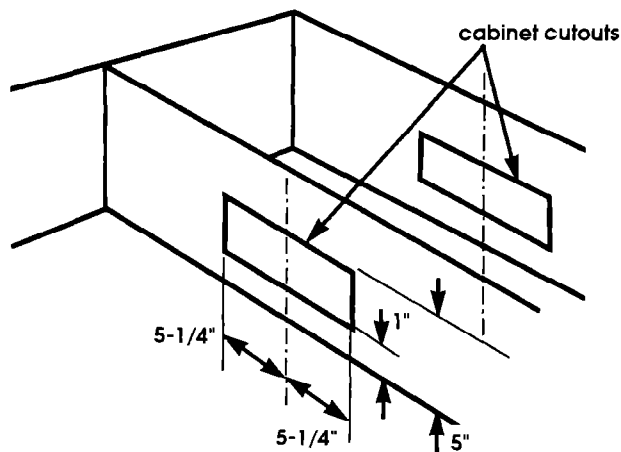
6. 16.

Numbers correspond to steps.



10.

To vent through the roof with 7" round ductwork, mark 4-1/2" and 5" in from back wall along the centerline on underside of cabinet. Use these points as centers to draw 7-1/8" circles on underside of cabinet. Use a saber saw to cut the openings for the ductwork. Repeat for the underside of the top of the cabinet. This will create slotted openings.

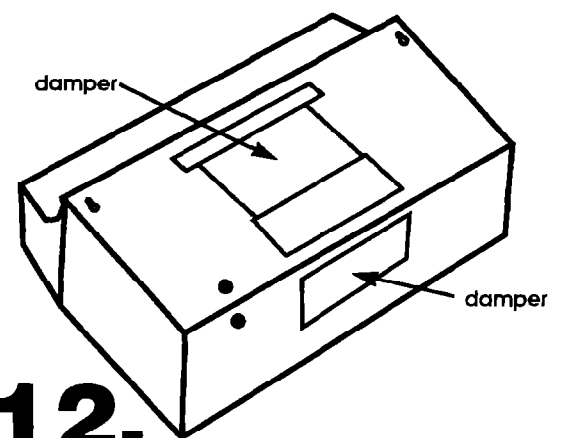


To vent through the roof with 3-1/4" x 10" rectangular ductwork, mark a line 1" and 5" from the back wall on the underside of the cabinet. Mark lines 5-1/4" to the right and left of the centerline on the underside of cabinet that connect the lines just drawn. Use a saber saw to cut a rectangular opening for the ductwork. Repeat for the underside of the top of the cabinet.

To vent through wall with 3-1/4" x 10" rectangular ductwork, measure from floor 65-7/8" and 62-3/8" (or 1/8" and 3-5/8" from underside of cabinet) and mark on back wall. Measure and mark a line 5-1/4" to right and left of centerline, connecting the two lines. Use a saber saw to cut a rectangular opening for the ductwork.

11.

Install ductwork through the vent opening in upper cabinet or wall. Complete venting system according to method needed. See "Venting requirements." Use caulking to seal exterior wall or roof opening.



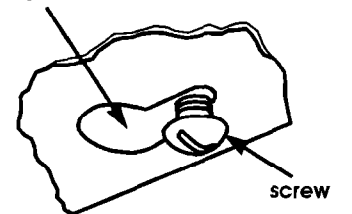
12.

Attach rectangular damper to selected rectangular vent opening. If damper is attached to back of range hood, be sure damper hinge is toward the top. For round vented installations, use round damper in duct to prevent air from flowing back into ductwork. If roof cap has a damper, remove damper blade from range hood.

13.

Run wiring through wall or cabinets according to the National Electrical Code and local codes and ordinances. Do Not turn on power until installation is complete.

keyhole slot



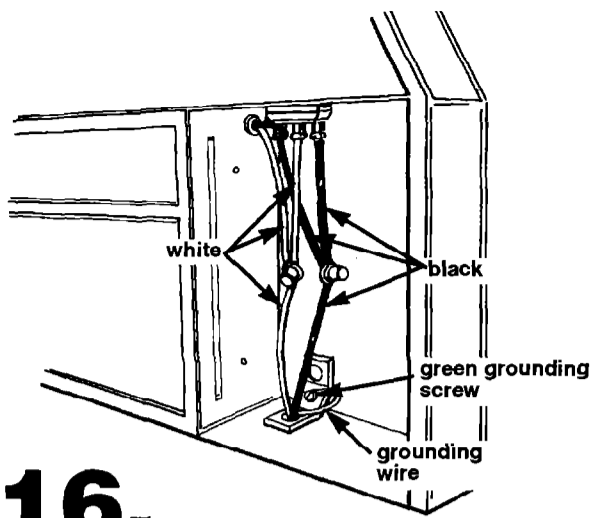
14.

Start screws through neck of each of the four keyhole mounting screw slots on range hood.

15.

Lift range hood into final position, feeding electrical wire through wiring opening. Align keyhole mounting screws slots with marks on underside of cabinet. Tighten mounting screws to cabinet, making sure mounting screws are in narrow neck of slot.

Non-vented installation



16.

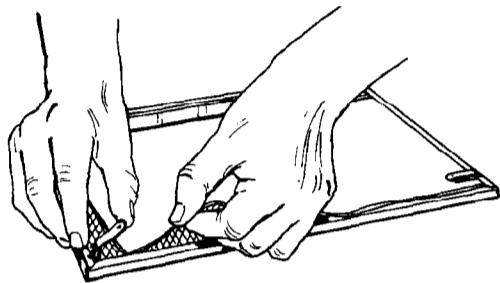
Remove terminal box cover.

Connect the white and black wires of the power supply cable to the white and black leads in the hood with twist-on connectors.

Connect the power supply grounding wire to the green, grounding wire inside the range terminal box with a twist-on wire connector.

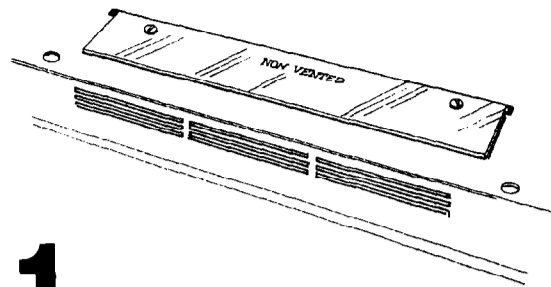
Use caulking to seal wire opening.

Replace terminal box cover.



17.

Pull firmly on tab to remove filter/light lens from range hood. Turn filter/light lens so that charcoal filter pad is facing up. Lift tabs and remove charcoal filter pad. Discard charcoal filter pad. Place edge of filter/light lens in opening so that right side is above flange and tab faces downward. Press filter/light lens into position.



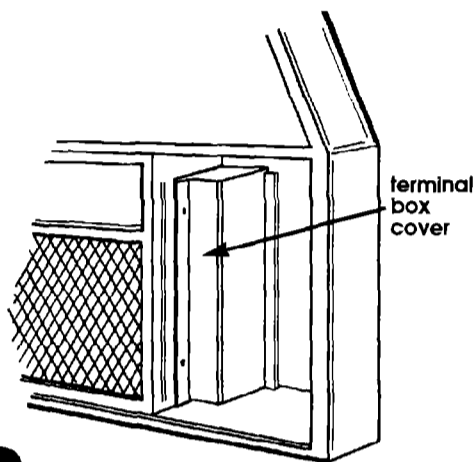
1.

Check vent baffle on top of range hood. "Non-vented" should be facing up.

2.

Remove knockout from the wiring opening (rear or top) to be used.

Do Not remove venting knockouts.



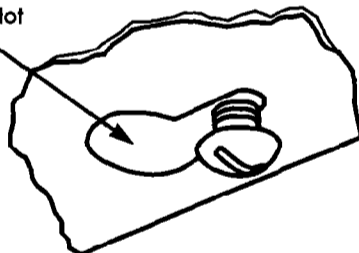
3.

Remove terminal box cover on range hood.

! WARNING

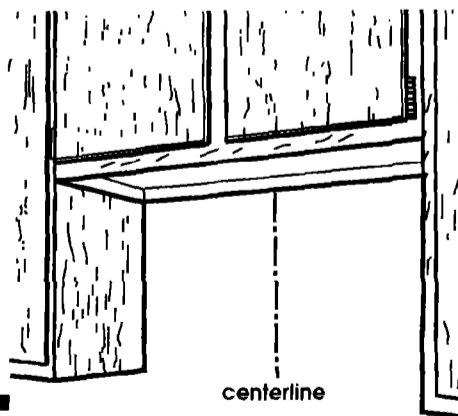
Personal Injury Hazard
More than one person is required to help with appliance installation because of its weight and size.
Failure to follow these instructions may result in personal injury.

keyhole slot



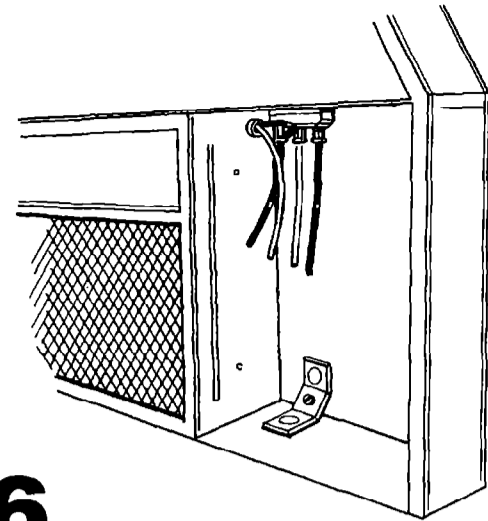
4.

Lift range hood into final position and center. Mark on underside of cabinet the location for the four keyhole mounting slots. Set range hood aside on a protected surface.



5.

Determine and clearly mark a vertical centerline in the area the vent opening will be made.



6.

To wire through top, mark a line 7-1/2" from the right of the centerline on the underside of the cabinet. Mark the point on this line that is 1-3/8" from the back wall. Drill a 1-1/4" diameter hole through cabinet at this point.

To wire through rear, mark a line 7-1/2" from the right of the centerline on the wall. Mark the point on this line that is 64-5/8" from the floor (or 1-3/8" from underside of cabinet). Drill a 1-1/4" diameter hole through wall at this point.

7.

Replace terminal box cover. Continue installation with Step 13, Panel C.

You have just finished installing your new Whirlpool range hood. Keep Installation Instructions close to range hood for easy

Congratulations!

reference. The instructions will make reinstalling your Whirlpool range hood in another home as easy as the first installation.

Use & Care Information

⚠ WARNING

Electrical Shock Hazard

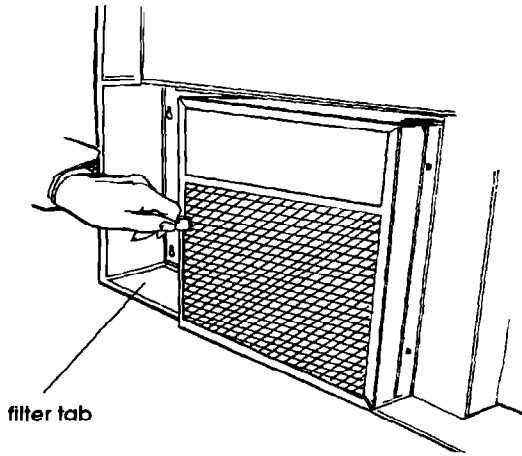
- To prevent the risk of electrical shock or injury, be sure to disconnect power before cleaning or servicing.
- If any electrical problem becomes evident during use, disconnect power to hood at fuse or breaker box.

Failure to follow these instructions could result in electrical shock.

Filter/light lens:

For best results, remove and clean often.

To remove filter/light lens:



Pull firmly on filter tab to remove filter/light lens from range hood.

To clean filter/light lens:

Place filter/light lens in dishwasher or hot sudsy water to clean.

Non-vented installation:

Turn filter/light lens so that charcoal filter pad is facing up. Lift tabs and remove charcoal filter pad. Discard charcoal filter pad. Place filter/light lens in dishwasher or hot sudsy water to clean. Lift tabs and place new charcoal filter pad in filter/light lens.

New charcoal filter pads, Part No. 883151, are available from your dealer.

To reinstall filter/light lens:

Place edge of filter/light lens in opening so that right side is above flange and tab faces downward. Press filter/light lens into position.

To clean fan motor:

Every three years lubricate each motor bearing with a few drops of oil to help prolong motor life.

Clean exterior of motor with a damp cloth and grease-cutting detergent.

Exterior surfaces

Clean the range hood with a mild detergent and soft cloth. Do Not use abrasive cleansers or steel wool pads.

Light

Do Not use bulb larger than 60 watts in light socket.

Light bulb is not included.

Operation of range hood

⚠ WARNING

Fire/Electrical Shock Hazard

Do Not use a solid-state speed control device to operate range hood.

Failure to follow this instruction could result in a fire, electrical shock or other personal injury.

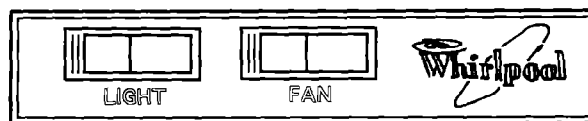
For best results, turn range hood fan ON at beginning of cooking and allow it to run until all smoke and odors are removed from room.

To turn fan ON and OFF:

Press fan control to turn fan to ON and OFF and adjust fan speed. Speed may be increased or decreased anytime during range hood operation.

To turn range hood light ON and OFF:

Press light control to turn light ON or OFF. Light may be turned OFF or ON anytime during range hood operation.



If range hood does not operate...

Check that the circuit breaker is not tripped or the house fuse blown.

If you need assistance...

The Whirlpool Consumer Assistance Center will answer any questions about operating or maintaining your range hood not covered in the Installation Instructions. The Whirlpool Consumer Assistance Center is open 24 hours a day, 7 days a week. Just dial 1-(800) 253-1301 — the call is free.

If you need service...

In the event your Whirlpool appliance should need service, call the dealer from whom you purchased the appliance or a Whirlpool-authorized service company. A Whirlpool-authorized service company is listed in the Yellow Pages of your phone directory under "Appliance — Household — Major — Service or Repair." You can also obtain the service company's name and number by dialing, free, within the continental United States, the Whirlpool Consumer Assistance Center number, 1-(800) 253-1301. A special operator will tell you the name and number of your nearest Whirlpool-authorized service company.

Maintain the quality built into your Whirlpool appliance — call a Whirlpool-authorized service company.

Whirlpool® Range Hood Warranty

LENGTH OF WARRANTY	WHIRLPOOL WILL PAY FOR
FULL ONE-YEAR WARRANTY From Date of Purchase	FSP® replacement parts and repair labor to correct defects in materials or workmanship. Service must be provided by an authorized Whirlpool SM service company.
WHIRLPOOL WILL NOT PAY FOR	
<ul style="list-style-type: none"> A. Any labor costs incidental to the replacement of defective parts. B. Consumable parts such as light bulbs and filters. C. Service calls to: <ul style="list-style-type: none"> 1. Correct the installation of the range hood. 2. Instruct you how to use the range hood. 3. Replace house fuses or correct house wiring. D. Repairs when range hood is used in other than normal, single-family household use. E. Pickup and delivery. This product is designed to be repaired in the home. F. Damage to range hood caused by accident, misuse, fire, flood, act of God or use of products not approved by Whirlpool. 	

WHIRLPOOL CORPORATION SHALL NOT BE LIABLE FOR INCIDENTAL OR CONSEQUENTIAL DAMAGES. Some states do not allow the exclusion or limitation of incidental or consequential damages so this limitation or exclusion may not apply to you. This warranty gives you specific legal rights, and you may also have other rights which vary from state to state.

Outside the United States, a different warranty may also apply. For details, please contact your franchised Whirlpool distributor or military exchange.



Printed on recycled paper.
 10% post consumer waste/
 50% recovered materials.