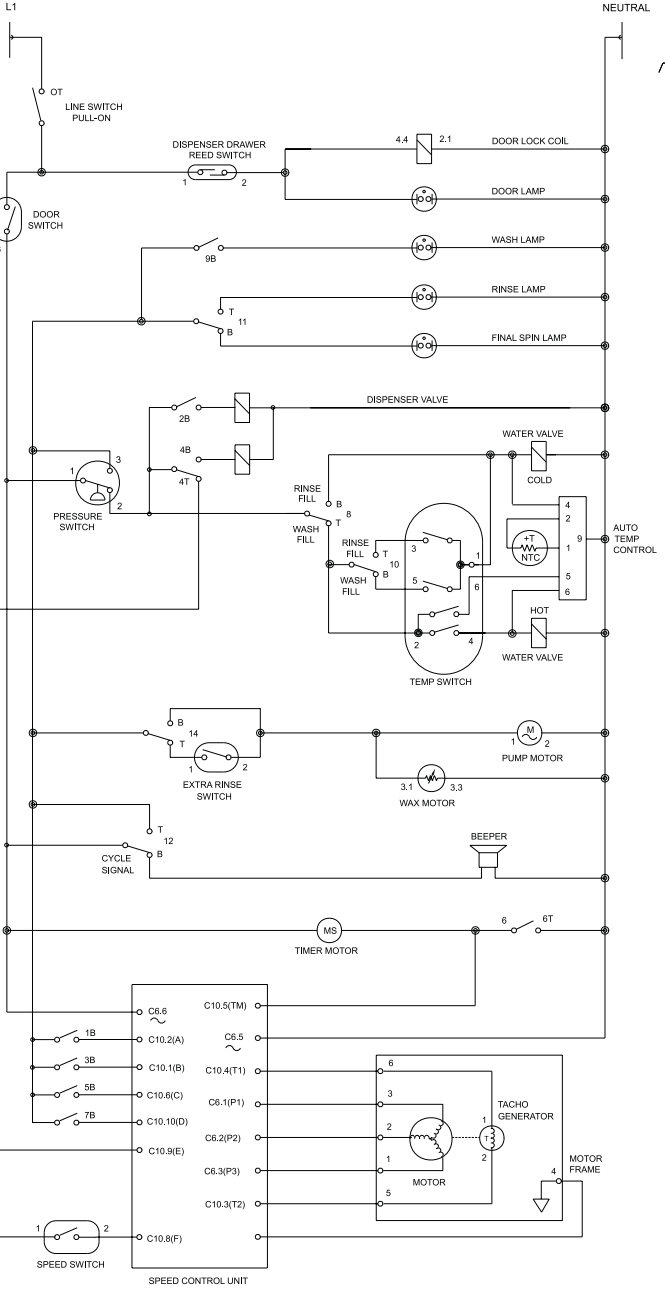


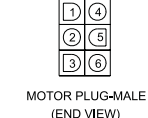
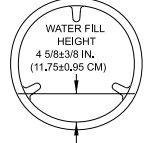
TERM. C M/C	CIRCUIT	REGULAR				OFF	QUICK WASH			OFF	EASY CARE				OFF	DELICATE & HAND WASH CYCLE			OFF
		HEAVY	WASH MED	WASH LIGHT	RINSES & SPINS	FINAL SPIN	WASH	RINSES & SPINS	FINAL SPIN	WASH	RINSES & SPINS	FINAL SPIN	WASH	RINSES & SPINS	FINAL SPIN				
0/0	DETENT																		
0	2	MACHINE POWER																	
1	23	22	24	CODE A															
2	5	4	6	SOLENOID 2															
3	23	19	21	CODE B															
4	5	7	9	CODE E															
5	23	16	18	SOLENOID 1															
6	11	10	12	CODE C															
7	23	13	15	TM DIRECT															
8	14	17	15	CODE D															
9	23	10	12	WASH WATER MAIN															
10	17	16	18	RINSE WATER MAIN															
11	23	7	9	WASH LAMP															
12	20	19	21	RINSE WATER TEMP															
14	19	22	24	WASH WATER TEMP															
		21	22	RINSE LAMP															
		20	21	RINSE LAMP															
		19	20	FINAL SPIN LAMP															
		18	19	PRESS SW. BYPASS															
		17	18	Buzzer															
		16	17	Drain Pump															
		15	16	Drain Pump															
		14	15	Drain Pump															
		13	14	Drain Pump															
		12	13	Drain Pump															
		11	12	Drain Pump															
		10	11	Drain Pump															
		9	10	Drain Pump															
		8	9	Drain Pump															
		7	8	Drain Pump															
		6	7	Drain Pump															
		5	6	Drain Pump															
		4	5	Drain Pump															
		3	4	Drain Pump															
		2	3	Drain Pump															
		1	2	Drain Pump															
		0	1	Drain Pump															



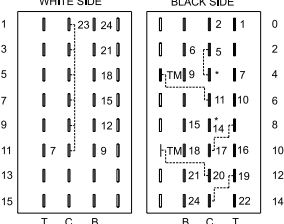
COMPONENT RESISTANCE TABLE		
ELECTRICAL COMPONENT	RESISTANCE Ω @ 77°F(25 @ 77°C)	
WATER VALVE SOLENOIDS	880 ±10%	
DOOR LOCK SOLENOID	380 ±10%	
TIMER MOTOR	2425 ±6%	
PUMP MOTOR	15 ±7%	
DISPENSER VALVE SOLENOIDS	1100 ±7%	
MOTOR	M1 TO M2	2.6 ±7%
	M2 TO M3	2.6 ±7%
	M1 TO M3	2.6 ±7%
	M5 TO M6	184 ±7%

TEMPERATURE SWITCH				
	CIRCUIT			
WASH/RINSE	1-3	1-5	2-6	2-4
H/C				X
W/C	X	X	X	X
C/C	X	X	X	X
WW	X	X	X	X
REG C/C	X	X	X	X
REG W/C	X	X	X	X
REG W/W	X	X	X	X

H = HOT W = WARM C = COLD
REG = REGULATED X = CLOSED



WIRING CODES	
+	CONNECTION
-	NO CONNECTION
⏏	CABINET GROUND
⏚	LOCAL GROUND



WARNING TO REDUCE THE RISK OF ELECTRICAL SHOCK DISCONNECT THIS APPLIANCE FROM THE POWER SUPPLY BEFORE ATTEMPTING ANY USER MAINTENANCE. TURNING THE CONTROLS TO THE OFF POSITION DOES NOT DISCONNECT THIS APPLIANCE FROM THE POWER SUPPLY.