

# Use & Care Guide

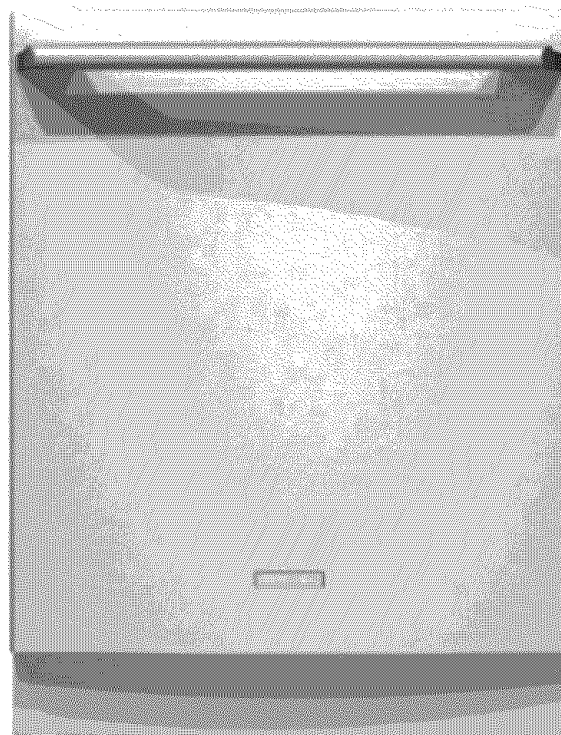
Built-In Dishwasher

# Guia de Uso y Cuidado

Lavavajillas Empotrado

# Guide d'utilisation et d'entretien

Lave-vaisselle encastré



 **Electrolux**

## Table of Contents

<b>Finding Information</b> .....	<b>2</b>
Make a Record for Future use .....	2
Questions? .....	2
Internet .....	2
Table of Contents .....	2
<b>Safety</b> .....	<b>3</b>
Important Safety Instructions .....	3
<b>Feature Overview</b> .....	<b>4</b>
How your Dishwasher Cleans .....	4
<b>Operating Instructions</b> .....	<b>5</b>
Getting Started .....	5
Normal Operating Sounds .....	5
Wash Cycle Selections .....	6
Cycle Selections .....	6
Energy Option Selections .....	7
Operation Selections .....	7
Status Window .....	8
<b>Preparing &amp; Loading Dishes</b> .....	<b>9</b>
Dish Preparation .....	9
Loading the Top Rack .....	9
Loading the Bottom Rack .....	10
Adjusting Rack Height .....	10
Loading the Silverware Basket .....	11
Adding a dish .....	11
<b>Dishwasher Dispenser &amp; Detergents</b> .....	<b>12</b>
Filling the Detergent Dispenser .....	12
How much Detergent to use .....	12
Detergent Usage Guide .....	13
Rinse Aid .....	14
<b>Factors Affecting Performance</b> .....	<b>15</b>
Water Pressure .....	15
Water Temperature .....	15
<b>Care &amp; Cleaning</b> .....	<b>16</b>
Outside .....	16
Inside .....	16
Winterizing .....	17
<b>Solutions to Common Problems</b> .....	<b>18</b>
Food Soils Left on Dishes .....	18
Dishes Not Dry .....	19
Glassware/Flatware Spotted or Cloudy ...	18
Dishware Chipped .....	18
Dishware Stained or Discolored .....	19
Etching .....	19
Detergent Left in Cups .....	19
Dishwasher Leaks .....	20
Normal Sounds You Will Hear .....	20
Water in Bottom of Tub .....	20
Dishwasher Won't Run .....	20
Dishwasher Does Not Drain .....	
Properly .....	20
Cycle Takes a Long Time .....	21

Dishwasher Won't Fill .....	21
Dishwasher Has an Odor .....	21
Removing Spots and Film .....	21

<b>Warranty Information</b> .....	<b>22</b>
-----------------------------------	-----------

<b>Spanish Version</b> .....	<b>23</b>
------------------------------	-----------

<b>French Version</b> .....	<b>40</b>
-----------------------------	-----------

## Please read and save this guide

Thank you for choosing **Electrolux**, the new premium brand in home appliances. This *Use & Care Guide* is part of our commitment to customer satisfaction and product quality throughout the service life of your new appliance.

We view your purchase as the beginning of a relationship. To ensure our ability to continue serving you, please use this page to record important product information.

## Keep a record for quick reference

---

Purchase date

---

Electrolux model number

---

Electrolux serial number

### NOTE

Registering your product with Electrolux enhances our ability to serve you. You can register online at [www.electroluxappliances.com](http://www.electroluxappliances.com) or by dropping your Product Registration Card in the mail.

## Questions?

For toll-free telephone support in the U.S. and Canada:

**1-877-4ELECTROLUX (1-877-435-3287)**

For online support and Internet production information visit [http://](http://www.electroluxappliances.com)

[www.electroluxappliances.com](http://www.electroluxappliances.com)

## Important Safety Instructions

Please read all safety instructions before using your new Electrolux dishwasher.

- Read all instructions before using your dishwasher.
- Use your dishwasher only as instructed in this Use and Care Manual.
- This manual does not cover every possible condition and situation that may occur. Use common sense and caution when installing, operating and maintaining any appliance.
- National Sanitation Foundation (NSF) certified residential dishwashers are not intended for licensed food establishments. Such establishments require a higher dishwasher water temperature to meet commercial sanitization requirements.
- **DISHWASHER MUST BE ELECTRICALLY GROUNDED.** Read the Installation Instructions for details.
- This dishwasher is designed to operate on regular house current (120 V, 60 Hz). Use a circuit equipped with a 15 ampere fuse or circuit breaker. Use a 20 ampere fuse or circuit breaker if dishwasher is connected with a food waste disposer.
- Do not operate dishwasher unless all enclosure panels are in their proper place as explained in the Installation Instructions provided with your dishwasher.
- To avoid entrapment and/or suffocation, remove the door to the washing compartment when removing an old dishwasher from service or discarding it.
- Keep young children and infants a safe distance away from the dishwasher when it is in operation.
- Use only detergents and rinse agents recommended for use in a dishwasher.
- Do not abuse, sit on, or stand on the door or dish rack of the dishwasher.
- Store dishwasher detergent and rinse agents out of the reach of children.
- Do not wash plastic items unless marked "dishwasher safe" or the equivalent. Check with manufacturer for recommendations, if not marked. Items that are not dishwasher safe may melt.
- If the dishwasher drains into a food disposal, make sure disposal is completely empty before running dishwasher.

### **WARNING**

This symbol will help alert you to such dangers as personal injury, burns, fire, and electrical shock.

### **WARNING**

To reduce the risk of fire, electrical shock, or injury when using your dishwasher, follow basic precautions including the following:

- Disconnect electrical power to dishwasher before servicing.
- Repairs should be done by a qualified Electrolux professional.
- Do not tamper with controls.
- Use care unloading the dishware when the **SANITIZE** option has been selected. Contents may be hot to the touch immediately after the end of cycle.
- When loading and unloading items:
  - Locate sharp items and knives so that they are not likely to damage the tub or door seal.
  - Load sharp items and knives with the handles up to reduce the risk of cut-type injuries. Alternatively, place sharp items and knives in the utensil shelf located in the upper rack.
- Under certain conditions, hydrogen gas may be produced in a hot water system that has not been used for 2 weeks or more. **HYDROGEN GAS IS EXPLOSIVE.** If hot water system has not been used for such a period, before using dishwasher, turn on all hot water faucets and let water flow from each for several minutes. This will release any accumulated hydrogen gas. **HYDROGEN GAS IS FLAMMABLE.** Do not smoke or use an open flame during this time.
- Do not store or use combustible materials, gasoline or other flammable vapors and liquids in the vicinity of this or any other appliance.

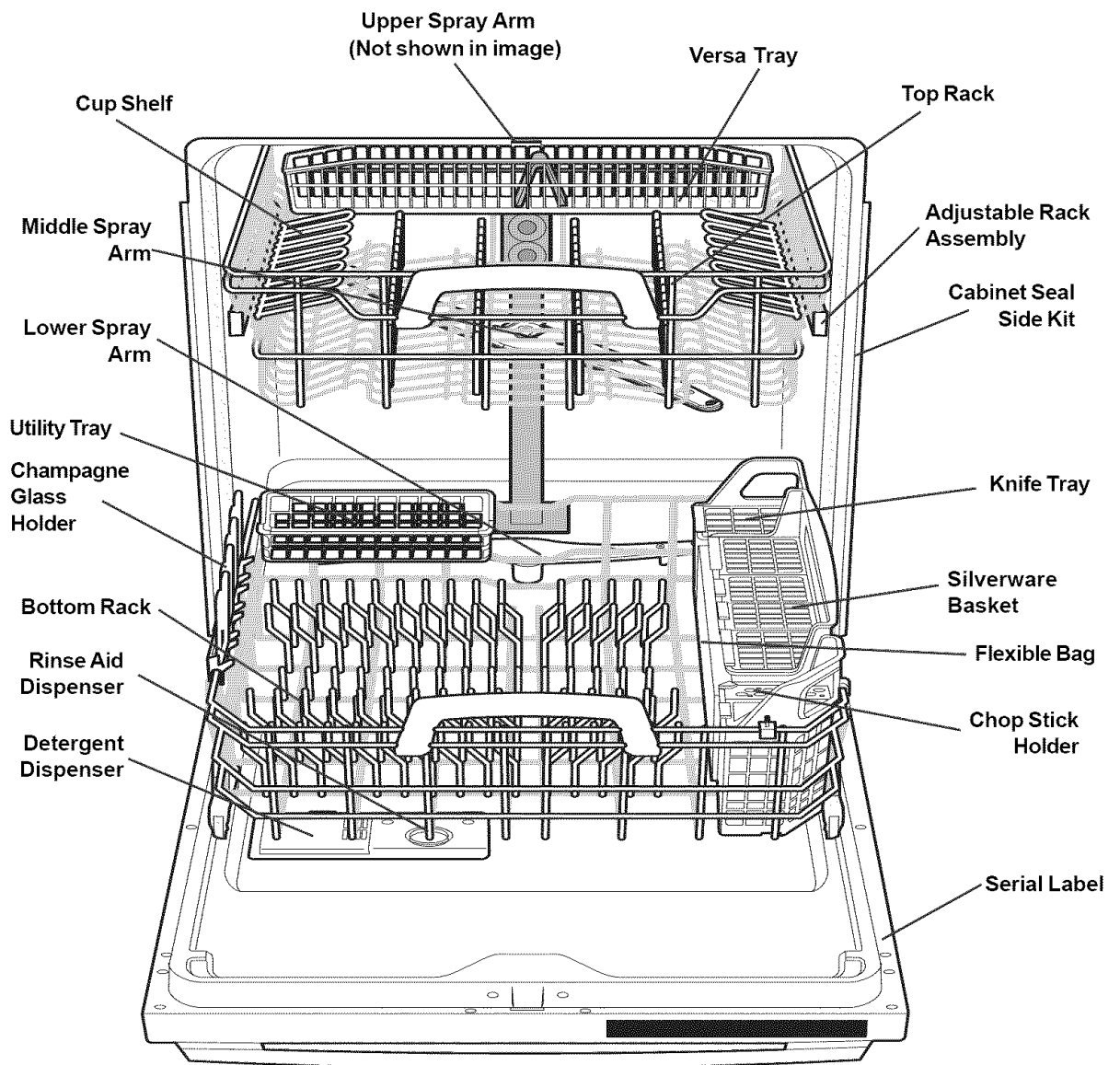
### **NOTE**

Save these important safety instructions for future reference.

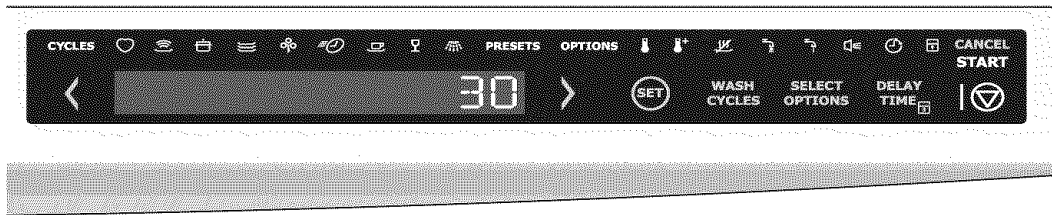
## HOW YOUR DISHWASHER CLEANS

Your dishwasher cleans by spraying a mixture of hot water and detergent through the spray arms against soiled surfaces.

The dishwasher fills with water covering the filter area. Water is then pumped through the filter and spray arms. Soil particles go down the drain as the water is pumped out and replaced with clean water. The number of water fills will vary with the cycle being used.



## GETTING STARTED



Press and hold SET icon for 5 seconds before first use.




## NORMAL OPERATING SOUNDS





To run your dishwasher, follow these basic steps:




- 1 Load dishwasher. (See Preparing and Loading Dishes, pages 9-11.)
- 2 Add detergent. (See Dishwasher Dispenser & Detergents, pages 12-14.)
- 3 Add rinse aid, if needed. (See Rinse Aid, page 14.)
- 4 Select desired CYCLE. (See Cycle Selections, pages 6-7.)  
**The Symbols are illuminated when selected.**
- 5 Select desired OPTIONS. (See Energy Options Selections, page 7.)  
The light surrounding the pad will glow when selected.
- 6 To start, press START/CANCEL pad and close door. (See Start/Cancel, page 8.)

Your dishwasher uses energy efficient motors for the wash and drain portions of the cycle you select. Each cycle has a series of water fills and drains for washing and rinsing dishes. As each cycle begins, you may or may not hear the drain motor. You may also hear the splashing water as it enters the tub and the spray arms as they rotate and circulate water. The wash motor often pulsates throughout the cycle, which varies water pressure and optimizes performance.

## To Select Normal Cycle

Press  or  until "NORMAL"  is displayed.

Press  "Select Options"  or  until desired cycle options are displayed. When desired option text appears in the display press .

To continue selecting your desired cycle options press the  and press  for each additional cycle option that is desired. When all desired cycle options have been selected press "Start"  and close the door.

## WASH CYCLE SELECTIONS

Cycle times are approximate and vary by options selected. Hot water is necessary to activate dishwasher detergent and melt fatty food soils.

An automatic sensor checks the water temperature for the main wash of each cycle. When HI-TEMP WASH is selected, the sensor checks for an even higher temperature. Run hot water faucet nearest dishwasher until water is hot.

## CYCLE SELECTIONS

The Smart Sensor checks the soil level on your dishes in the Auto, Normal, Delicate and Eco cycles. Depending on soil level, the sensor will determine if additional water fills are needed to clean the dishes or if water fills can be deleted. Cycle time and water usage will vary based on the amount of soil on the dishes. Cycle time will also vary based on the options selected and the incoming water temperature.

## My Favorite



This cycle allows you to program your preferred cycle and options into one button. To program the Favorite Cycle: start by simply pressing the Set Icon until Welcome appears in the display, this will get you started in being able to select your cycle. After you have pressed the Set Icon arrow to Favorite cycle press the Set Icon again, this allows you to be able to make your selections. After you have chosen the cycles press the Select Options Icon, arrow through to select your options. All the options appear off until you press the set icon. When you have chosen your options press the Wash Cycle Icon, followed by Set then press Start, SAVED will appear in the display. Once, programmed, simply press the Favorite Icon followed by Start/Cancel to have your Favorite Cycle begin.

## Heavy Wash



For pots, pans, casseroles and dinnerware with dried-on or baked-on soils. Water usage is approximately 9.5 gallons. Wash time ranges from approximately 130 to 149 mins.

## Auto Wash



When a partial load of lightly soiled dishes is placed in the unit, a wash cycle similar to a short wash will automatically be performed. When a full load of heavily soiled dishes is placed in the unit, a heavy wash cycle will automatically be performed. The dishwasher's Smart Sensor technology will determine the type of cycle required to clean the dishes and will clean more efficiently every time. Water usage ranges from approximately 5.5 to 10.7 gallons. Wash time ranges from approximately 99 to 162 mins.

## Normal Wash



For regularly soiled dishes and silverware. Water usage ranges from approximately 4.4 to 9.5 gallons. Wash time ranges from approximately 91 to 144 mins.

## Eco Wash



For lightly soiled and pre-rinsed dishes and silverware. Water usage ranges from approximately 5.6 to 6.8 gallons. Wash time ranges from approximately 78 to 80 mins.

## Quick Wash



For lightly soiled and pre-rinsed dishes and silverware. Water usage is approximately 6.9 gallons. Wash time is approximately 45 mins.

## Delicate



For Lightly soiled fine China. Water usage ranges from approximately 6.9 to 8.1 gallons. Wash time ranges from approximately 91 to 106 mins.

## Stemware



For lightly soiled China and Crystal. Water usage is approximately 6.8 gallons. Wash time ranges from approximately 85 to 92 mins.

## Rinse Only



For rinsing dishes that will be washed later. Water usage is approximately 2.8 gallons. Cycle time is approximately 20 minutes.

## ENERGY OPTION SELECTIONS

### Hi-Temp



Press Options key to access options available for the wash cycles.

When HI-TEMP option is selected, the dishwasher heats water in the main wash to approximately 140°F (60°C). HI-TEMP ON will be displayed.

This increase in water temperature helps dishwasher detergent remove food, grease and soil from dishes more effectively and aids in drying. HI-TEMP option can be used with AUTO, HEAVY and NORMAL Cycles only.

When HI-TEMP option is selected, the icon will light up and remain on until the door is closed.

To turn off the HI-TEMP option, press the touchpad SET a second time. HI-TEMP OFF displayed.

### Sanitize



To sanitize your dishes and glassware, select the SANITIZE option. SANITIZE ON will be displayed when selected, the light surrounding the icon will turn red until the START pad is pressed or the door is closed. This option heats the water temperature in the final rinse to 157°F (69.4°C) and maintains that temperature for 7 minutes. SANITIZE is available in Auto, Heavy, and Normal cycles. Only these sanitization cycles have been designed to meet NSF requirements.

*The cycle time will be extended until the proper water temperature is reached. Washing action will continue during the water heating delay. For best results, the incoming water temperature should be at least 120°F (49°C).*

If the SANITIZE option was selected, SANITIZED will be displayed at the end of the cycle. SANITIZED will not display at the end of the cycle if the NSF requirements for sanitization are not reached. The sanitization criteria may not be satisfied if there is an interruption of the cycle, a power failure occurs, or if the incoming water temperature is below 120°F (49°C).

To turn off the SANITIZE option, press SET a second time. SANITIZE OFF is displayed.

## OPERATION SELECTIONS

### Delay Time



The Delay Time option allows you to automatically delay starting your dishwasher from 30 minutes to 24 hours.

Press the DELAY TIME touchpad until the desired delay time shows in the STATUS window. Display will indicate the delay start time and will countdown until cycle starts.

To cancel the DELAY TIME option and begin the cycle before the delay period is over, press the START/CANCEL pad.

### Child Lock Controls

To prevent children from accidentally changing the dishwasher cycle or starting the dishwasher, lock the dishwasher controls by pressing and releasing the DELAY TIME icon for 3 seconds. An indicator light on the lock graphic touchpad will illuminate when the controls are locked and no new selections can be made until the lock is released. To unlock the controls, press the DELAY TIME icon until the indicator light goes out.

## Wash Pressure

The WASH PRESSURE option allows you to select the desired wash pressure depending on your dishload. When HIGH WASH PRESSURE is selected, the system automatically adjusts the pressure up to provide faster and more effective cleaning. When LOW WASH PRESSURE is selected, the wash pressure is decreased to clean delicate dishes without damage. When AIR DRY is selected, heat dry will not be activated this will conserve energy and time.

## Start/Cancel



To start a cycle, press the START touchpad once and close the door. To cancel when a cycle is running, open the door and press the CANCEL touchpad once. Close the door again and the dishwasher will drain and shut off.

## NOTE

Opening the door during normal operation will only pause the selected cycle.

## Error Indications

In certain situations which are critical to the machine function and safe operation, the control shall shut down and indicate an error code 'Er' (See Error Codes on page 21). *On units without a display, all indicator lights will flash.*

If one of these codes are displayed contact the Electrolux Customer Care Center at **1-877-435-3287**. They will be able to provide assistance in troubleshooting the problem and/or locating an authorized service technician, if needed.

## BLUE LIGHT

When BLUE LIGHT luminates on the floor this indicates that the wash cycle is complete.

## CHIME

These models are equipped with a chime to audibly indicate when you have pressed a cycle or selected an option. The chime also signals the completion of the selected cycle.

To adjust the volume press the "SELECT OPTION" touchpad. Then toggle using the > touchpad until VOLUME SETTING is displayed. Press the "SET" touchpad and then toggle using the < or > touchpads until the desired volume is reached. Press the "SET" touchpad to save your selection.

## DISABLE THE DISPLAY

The **disable the display** feature may be used when observing the Jewish Sabbath/Holidays and the dishwasher may be used for storage during this time.

When the display is properly disabled, the dishwasher will not provide any audibles or text messages.

You can set your wash cycle to run. To do this, press **Start**, then **disable the display** and close the dishwasher door. After the completed wash cycle the clean light will remain ON even when you open or close the door during this time. The clean light will shut OFF automatically 2 hours after the completed wash cycle.

You can also disable the display **without** setting a wash cycle.

To disable the display **press and hold the left arrow key for 10 seconds**. To reactivate the display, press and hold the left arrow key for 10 seconds.

## STATUS WINDOW

The STATUS window displays codes typically seen during programming of the dishwasher. The window will not display anything when the door is closed. The STATUS window indicates the following activity:

- 30MIN-24HRS** Indicates number of delay start hours for selected cycle.
- CLOSE DOOR** Displayed once the program has been entered and the START/CANCEL touchpad is pressed. It also flashes if the door is opened during a wash cycle. Close the dishwasher door to begin or continue a wash cycle.
- WELCOME** Appears in window 3 seconds when dishwasher is first installed, or when power has been interrupted.



## DISH PREPARATION

Scrape away large pieces of food, bone, pits, toothpicks, etc. The wash system will remove remaining food particles. Gently scrape away burned-on food with a non-scratch utensil or let dish soak before washing (see Figure 1). Empty liquids from glasses and cups.

Foods containing vegetable oil and/or chemical additives such as mustard, mayonnaise, vinegar, lemon juice or tomato-based products may cause discoloration of stainless steel and plastics if allowed to sit for a long period of time. Unless the dishwasher is to be operated at once, it is best to rinse off these food soils.

- Load racks so that large items do not prevent the detergent dispenser from opening.
- Check manufacturer's recommendations before washing items in question.
- If the dishwasher drains into a food disposal, **be sure disposal is completely empty before starting dishwasher.**

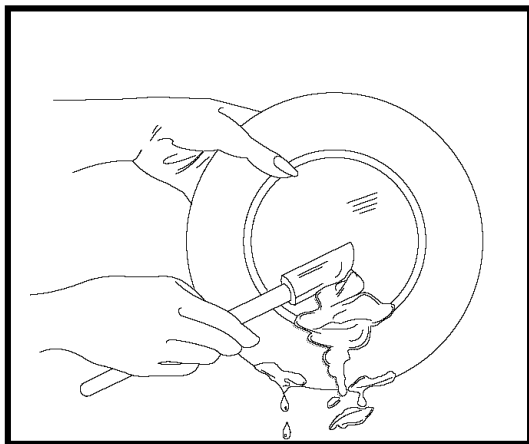
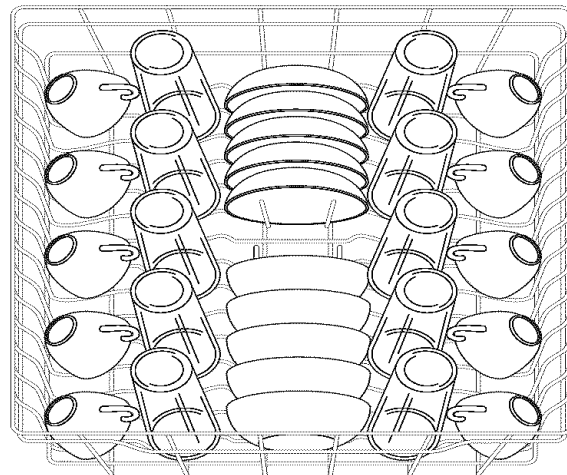


Figure 1

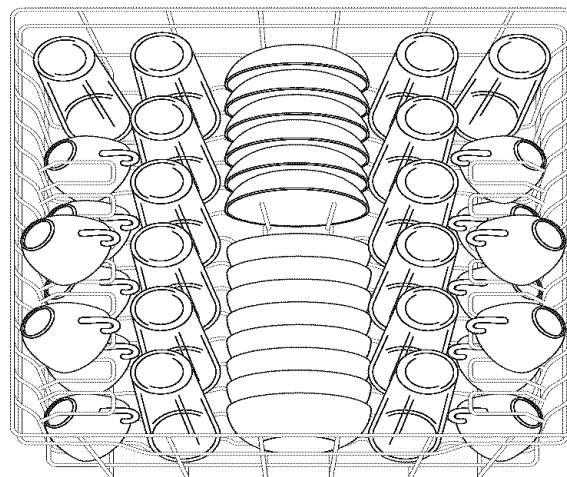
## LOADING THE TOP RACK

The top rack is designed for flexibility in loading a wide variety of items including cups, glasses, stemware, small plates, bowls, etc.

- Load glasses in top rack. Damage may occur if placed in bottom rack unless Stemware Cycle is selected.
- Damage may occur if delicate items touch each other during dishwasher operation.
- Long-handled knives and utensils can be placed in the top rack's versa tray.
- Be sure nothing protrudes through the bottom of the rack to block rotation of middle spray arm.
- Load items with open ends facing down for better cleaning and draining.



10 place settings standard loading pattern



14 place settings standard loading pattern



## NOTE

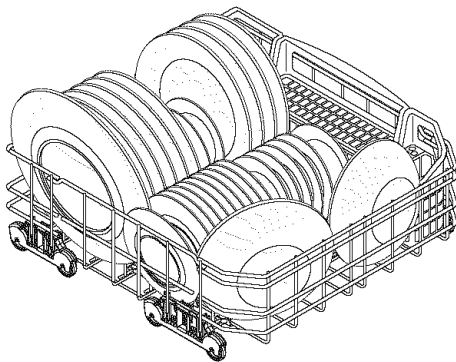
Features in your dishwasher's model may vary in appearance from illustrations in this manual.

## LOADING THE BOTTOM RACK

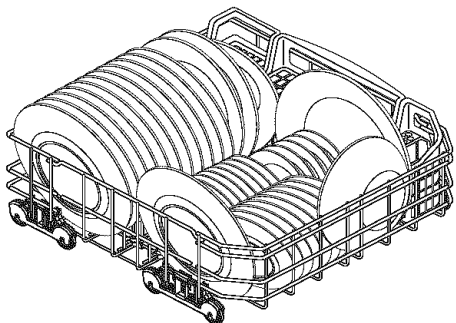
Our adjust rack space allows you to put items up to 15" in the bottom rack.

The bottom rack is designed for plates, saucers, bowls, and cookware.

- Large items should be placed along the edge so they do not block the middle spray arm rotation.
- For best results, place bowls, casseroles, and sauce pans with soiled surface facing down or toward the center. Tilt slightly for better drainage.
- Make sure tall items do not block middle spray arm rotation.
- Be sure pan handles do not protrude through the bottom of the rack and block the lower spray arm rotation.



10 place settings standard loading pattern

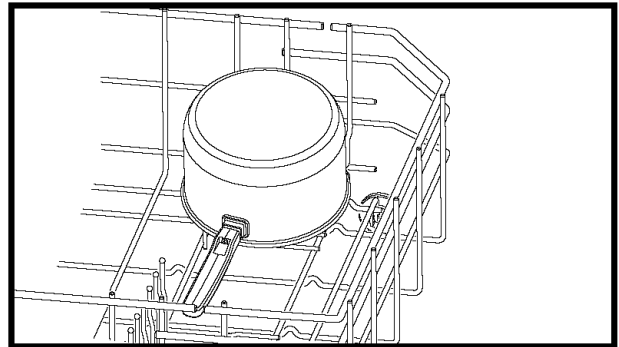


14 place settings standard loading pattern

## Fold-down Tines

The fold-down tines in the lower rack make easy loading for those extra large and hard-to-fit items. The tines may be left up for normal use or folded down for more flexible loading.

Fold tines down for ease in loading large pots or pans.

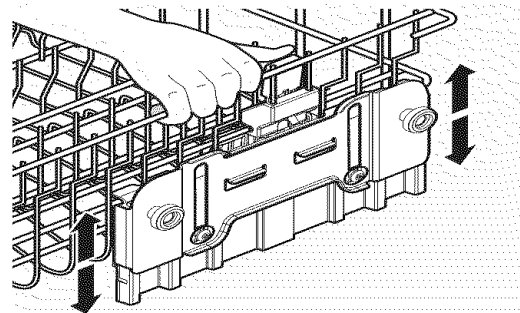


## ADJUSTING RACK HEIGHT

The top rack height can be easily adjusted to accommodate loading taller dishes in either rack. **Height should be adjusted without dishes in the racks.**

To accommodate taller dishes in the bottom rack, there are 3 positions available:

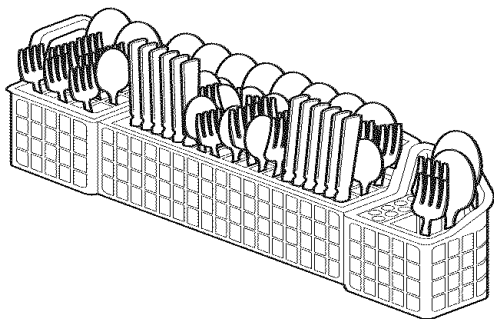
To raise the rack to the middle or upper position, simply lift the rack. The lever is spring loaded to engage the middle or upper position. To lower the rack to the middle or lower position, push lever with thumbs and push downward simultaneously. Releasing the lever will allow the middle position to be engaged. To ensure ease of adjustment when adjusting the rack, ensure that the rack remains level from front to back with both sides at the same height.



## LOADING THE SILVERWARE BASKET

Load the silverware basket while it is in the bottom rack or take the basket out for loading on a counter or table.

- Place small items like baby bottle caps, jar lids, corn cob holders, etc., in a covered section. Close the cover to hold small items in place.
- Be sure nothing protrudes through bottom of basket or rack to block the lower spray arm.
- Do not mix silver and stainless items to avoid damaging the silver finish.



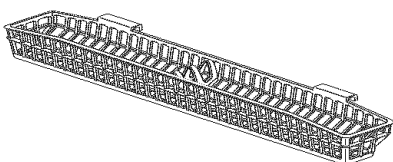
### Knife Basket

The knife basket can be used for large knives.



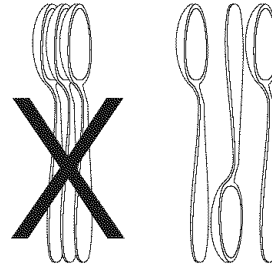
### Versa Tray

The versa tray can be used in the upper rack to hold spatulas, large spoons and other large utensils.



### CAUTION

**TO AVOID CUT INJURY:** Load sharp items (knives, skewers, etc.) pointing down. Failure to do so may result in injury.



When covers are up, mix non-sharp items in each section of the basket with some pointing up and some down to avoid nesting. Water spray cannot reach nested items.

## ADDING A DISH

**To add or remove items after wash cycle starts:**

- 1 Open door slightly and wait a few seconds until wash action stops before completely opening.
- 2 Add the item.
- 3 Close door firmly to latch and cycle will automatically resume.

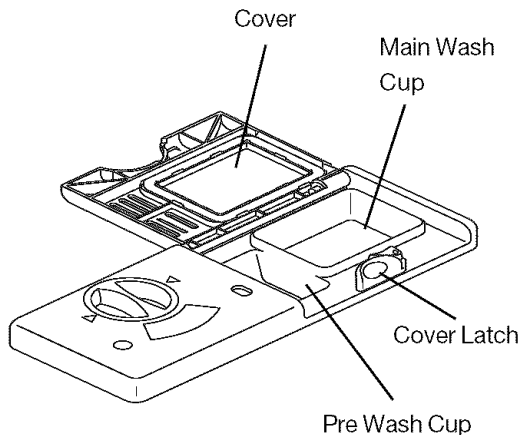
### CAUTION

**TO AVOID BURN INJURY:** Slightly open door and wait until spray arms and wash action stop. Hot water may splash out of dishwasher. Failure to do so may result in injury.

## FILLING THE DETERGENT DISPENSER

The detergent dispenser has one main wash and one pre-wash cup. The covered cups open automatically to release detergent.

- Use only automatic dishwashing detergent. Other detergents will cause oversudsing.
- When using automatic dishwashing detergent tabs, place one tab in main wash cups and close.
- Add detergent just before starting cycle.
- Store detergent in a cool, dry location. Moist or caked detergent will not dissolve properly.



## HOW MUCH DETERGENT TO USE

The amount of detergent to use depends on the water hardness. *Water hardness is measured in grains per gallon (gpg).* "Hard water" contains large amounts of harsh minerals in granulated form, above 10-11 grains per gallon (gpg), which can affect water quality.

Using too little detergent can result in poor cleaning and hard water filming or spotting. Using too much detergent in soft water can cause a permanent film called "etching." (See Etching, page 19.)

Your local water company, water softener company or county extension agent can tell you the water hardness in your area.

### CAUTION

**The use of industrial grade detergent can damage parts of the dishwasher leading to damage to the unit and surrounding property. Use only household grade automatic dishwasher detergents.**

## DETERGENT USAGE GUIDE

Refer to the following table for recommended detergent usage.

Cycle	Soft Water (0-3 Grains)	Medium Hard Water (4-8 Grains)	Hard Water (9-12 Grains)	Very Hard Water* (Over 12 Grains)
Heavy, Auto or Normal	2 Teaspoons (Main Wash Cup – ¼ Full)	5 Teaspoons (Main Wash Cup – fill to line above “Regular”)	8 Teaspoons (Main Wash Cup Completely Full)	Each Cup – <b>Completely Full</b> (Water Softener Recommended)
Quick, Eco, Delicate, Stemware	2 Teaspoons (Main Wash Cup – ¼ Full)	5 Teaspoons (Main Wash Cup – fill to line above “Regular”)	8 Teaspoons (Main Wash Cup completely full)	Main Wash Cup – <b>Completely Full</b> (Water Softener Recommended)
Rinse	No Detergent	No Detergent	No Detergent	No Detergent (Water Softener Recommended)

As shown in the last column of this table, a water softener is recommended to improve water quality and dishwashing performance when using very hard water.

Other suggestions:

- Try adding more detergent at the beginning of the main wash portion of the cycle.
- As a rule, use 1 teaspoon for each grain above 12. Unlatch the door, open slowly and add detergent to the bottom of the tub.
- Close the door to latch and the dishwasher will continue through the cycle.

## RINSE AID

**Rinse aid greatly improves drying and reduces water spots and filming.** It causes the water to “sheet” off of dishes rather than form water droplets that cling and leave spots.

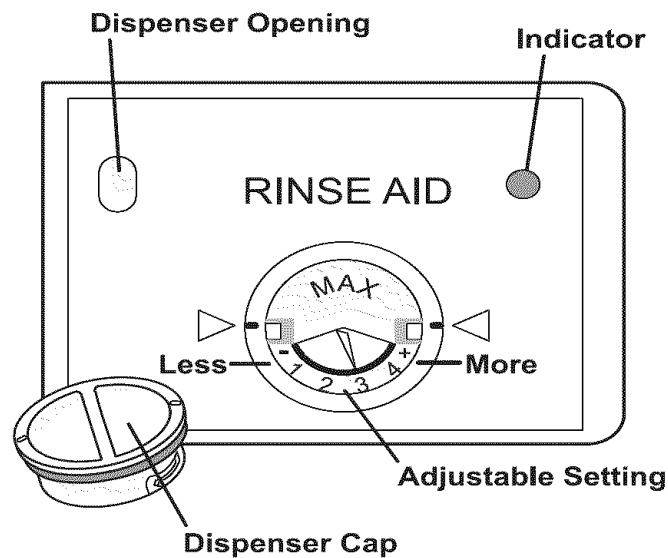
The rinse aid dispenser, located next to the detergent cup, automatically releases a measured amount of rinse aid during the last rinse. If spotting and poor drying are problems, increase the amount of rinse aid dispensed by rotating the dial to a higher number. The dial is located under the dispenser cap.

On models with a STATUS window, LO RINSE AID displays at the beginning and end of the cycle, indicating that it is time to refill.

### To add liquid rinse aid:

- 1 Turn dispenser cap 1/4 turn counterclockwise and lift out.
- 2 Pour in rinse aid until liquid reaches the flat surface marked MAX in the Rinse Aid dispenser. Do not overfill since this can cause oversudsing.
- 3 Replace cap.
- 4 Wipe up any spills with a damp cloth.

The dispenser holds enough for 35 to 140 washes, depending on setting.



## WATER TEMPERATURE

Hot water is needed for best dishwashing and drying results. Water entering the dishwasher should be at least 120°F (49°C) to give satisfactory results.

### To check water temperature entering the dishwasher:

- 1 Turn on hot water faucet nearest dishwasher for several minutes to clear cool water from pipes.
- 2 Hold a candy or meat thermometer in stream of water to check the temperature.
- 3 If temperature is below 120°F (49°C), have a qualified person raise the water heater thermostat setting.

## WATER PRESSURE

The hot water line to the dishwasher must provide water pressure between 20 and 90 pounds per square inch (psi).

Low water pressure may occur when laundry or showers are in operation. Wait until water use is reduced before starting dishwasher.



### IMPORTANT

Before starting a cycle, run hot water to clear cool water from pipe.

## OUTSIDE

Occasionally wipe the outside surfaces of your dishwasher with a mild nonabrasive detergent and water. Rinse and dry.

### Stainless Steel Door

Clean the stainless steel door and handle with hot, soapy water and a dishcloth. Rinse with clean water and a cloth. Do not use harsh scrubbing cleaners. Use only kitchen cleaners made especially for cleaning stainless steel.

## INSIDE

Remove spots on the door and tub with a damp, nonabrasive cloth.

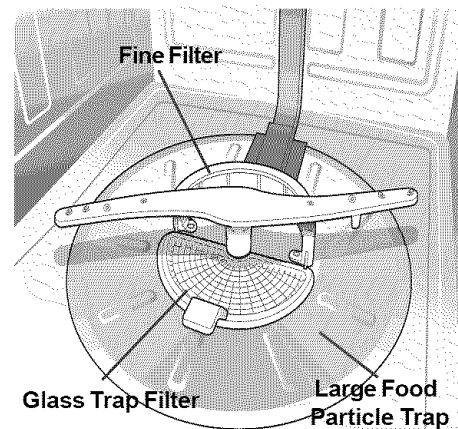
### → IMPORTANT

Read before operating your dishwasher!

### Care of Glass Trap Filter

Your dishwasher is equipped with a state of the art wash system. Periodically, the Glass Trap Filter and Large Food Particle Trap may need to be cleaned to maximize wash performance.

The Glass Trap Filter is located in the center of the Large Food Particle Trap. The Glass Trap Filter is designed to collect pieces of broken glass, straws, bones and pits. To remove items in the Glass Trap Filter, grasp the handle, lift out, empty and replace.





## Care of Drain Air Gap

If a drain air gap was installed for your built-in dishwasher, check to make sure it is clean so the dishwasher will drain properly. A drain air gap is usually mounted on the sink at the countertop and can be inspected by removing the cover. This is not part of your dishwasher and is not covered by warranty.

### CAUTION

Freezing temperatures may cause water lines to rupture. Be sure all supply lines to and circulating lines within dishwasher are protected. Failure to do so could result in property damage.

## WINTERIZING

A dishwasher left in an unheated place should be protected from freezing. Have a qualified person do the following:

### To Disconnect Service:

- 1 Turn off electrical power to the dishwasher at the supply source by removing fuses or tripping circuit breaker.
- 2 Shut off water supply.
- 3 Place a pan under the inlet valve. Disconnect water line from inlet valve and drain into pan.
- 4 Disconnect drain line and drain water into pan.

### To Restore Service:

- 1 Reconnect the water, drain, and electrical power supply.
- 2 Turn on water and electrical power supply.
- 3 Fill both detergent cups and run dishwasher through a HEAVY WASH cycle.

### NOTE

See Installation Instructions for more details.

### IMPORTANT

Before calling for service, review this list. It may save you both time and expense. This list includes common experiences that are not the result of defective workmanship or material in your dishwasher.

### FOOD SOILS LEFT ON DISHES

- Check incoming water temperature. (See Getting Started, page 5.) It should be at least 120°F (49°C). (See Factors Affecting Performance, page 15.)
- Choose another cycle for longer washing time.
- Check rack loading section for proper loading — avoid nesting items.
- Home water pressure may be too low — should be 20 to 90 pounds per square inch (psi).
- Check water hardness. For extremely hard water, it may be necessary to install a water softener. (See Detergent Usage Guide, page 13.)
- Use fresh detergent.
- Make sure items are not blocking any of the spray arms, preventing them from rotating.

### DISPLAY NOT FUNCTIONING

- Check to see if unit is in the Display Off Setting. See page 8 to reactivate display.

### DISHES NOT DRY

- Make sure the rinse aid dispenser is filled.
- Increase the amount of rinse aid (See Rinse Aid, page 14).
- Check the incoming water temperature. Be sure it is at least 120°F (49°C).
- Check for proper loading — avoid nesting items.
- Plastic items may need to be towel dried. More water collects on plastic items when cycle is complete because they do not get as hot as glass or metal items.
- Cups with a concave bottom will collect water.

### DISHWARE CHIPPED

- Load with care and do not overload. (See Preparing and Loading Dishes, pages 9-11.)
- Place delicate items in top rack.
- Place glasses securely against pins and not over pins.
- Load items so they are secure and don't jar loose when moving racks in and out. Move racks in and out slowly.
- Make sure tall glasses and stemware will clear top of tub when rack is pushed in.
- It is recommended to wash fine antique china and crystal by hand.

### DISPLAY NOT IN OPERATING MODE

- Hold down SET icon for 5 seconds to reset unit to Normal Operating Mode.

## GLASSWARE / FLATWARE SPOTTED OR CLOUDY

- Check water hardness. For extremely hard water, it may be necessary to install a water softener. (See Detergent Usage Guide, page 13.)
- Water temperature may be low. Avoid extremely low or high temperatures. (See Factors Affecting Performance, page 15.)
- Avoid overloading and improper loading. (See Preparing and Loading Dishes, pages 9-11.)
- Use fresh detergent. Old detergent is ineffective.
- Make sure rinse aid dispenser is filled.
- Check to see that proper amount of detergent is being used for cycle selected. (See Detergent Dispenser, pages 12-14.)
- Home water pressure may be too low—it should be 20 to 90 pounds per square inch (psi).

## DISHWARE STAINED OR DISCOLORED

- Tea and coffee can stain cups. Remove the stains by hand washing in a solution of 1/2 cup (120 ml) bleach and one quart (1 L) of warm water. Rinse thoroughly.
- Iron deposits in water can cause a yellow or brown film. A water filter installed in-line with your water supply will correct this problem.
- Aluminum utensils can leave gray/black marks when they rub against other items. Load properly.
- Certain high acid foods can cause discoloration of stainless steel and plastics if allowed to sit for a long period. Use the Rinse cycle or rinse by hand if not operating dishwasher at once.
- Mixing stainless steel and silver utensils in silverware basket can cause pitting on the stainless steel utensils. Avoid mixing stainless steel and silver.

## ETCHING

- Using too much detergent in soft or softened water causes this film that cannot be removed.
- Adjust the amount of detergent based on the water hardness. (Check Detergent Usage Guide, page 13.)
- Lower the water temperature.

## DETERGENT LEFT IN DISPENSER CUP

- Detergent may be old. Discard and use fresh detergent.
- Be sure water action can reach the dispenser make sure spray arm is not blocked.
- Check to see if cycle has been completed.
- Make sure items do not prevent the detergent dispenser from opening.
- Make sure the upper rack is firmly engaged to the nozzle on the back of the tub before closing the door.

## DISHWASHER LEAKS

- Use only fresh detergent designed for automatic dishwashers. Measure detergent carefully. Try a different brand.
- Spilled rinse aid can cause foam and lead to overflowing. Wipe up any spills with a damp cloth.
- Check to see that dishwasher is level (See Installation Instructions).

## NORMAL SOUNDS YOU WILL HEAR

- Normal sounds include water fill, water circulation and motor sounds.
- Pump pulsing will cause motor speed to increase and decrease at regular intervals during cycles.

## WATER IN THE BOTTOM OF THE TUB

- It is not normal for water to remain in the bottom of the tub at the end of a cycle. If water remains in the bottom of the tub at the end of a cycle, the dishwasher may not be draining properly. (See Dishwasher Does Not Drain Properly). The filter may also need to be cleaned. (See Care of Filter, page 16.)  
*Note: It is normal to see a small amount of water under the filter at the end of a cycle.*

## DISHWASHER WON'T RUN

- Check to see if circuit breaker is tripped or if a fuse is blown.
- Make sure water supply is turned on.
- Check to see if cycle is set correctly. (See Operating Instructions, pages 5-8.)
- Check to see if the DELAY START option has been selected.
- Make sure door is closed and latched.
- Check to see if dishwasher is in the Child Lock cycle.

## DISHWASHER DOES NOT DRAIN PROPERLY

- If unit is hooked up to a garbage disposal, make sure the disposer is empty.
- If unit is hooked up to a new food waste disposer, check to see if the “knockout” plug located inside the disposal inlet has been removed.
- Check to see if drain hose is kinked.
- Make sure cycle is complete, not in a pause.

## CYCLE TAKES A LONG TIME

- Check to see if cycle is in a water heating delay.
  - Check to see if the delay start option has been selected.
  - Check to see if the sanitize option has been selected.
-

## DISHWASHER WON'T FILL

- Check to see if the water supply is turned on.
- Add 1/2 cup of water to the bottom of the unit and start again.

## DISHWASHER HAS AN ODOR

- Soiled dishes left in dishwasher too long can create an odor. Use Rinse cycle.
- There will be a “new” smell when first installed. This is normal.
- Check to see if unit is draining properly (See Dishwasher Does Not Drain Properly, page 20).

## REMOVING SPOTS AND FILM

Hard water can cause lime deposit build-up on the interior of the dishwasher. Dishes and glasses may also get spots and film for a number of reasons (See Glassware/Flatware Spotted or Cloudy, page 19).

**To remove build-up, spots and film, clean using the following instructions:**

- 1 Load clean dishes and glasses in normal manner. Do not load any metal utensils or silverware.
- 2 Do not add detergent.
- 3 Select the NORMAL WASH cycle. Press START/CANCEL pad and close door.
- 4 Allow dishwasher to run until it begins the second fill. Open door and pour 2 cups of white vinegar into the bottom of dishwasher.
- 5 Close and latch door and allow cycle to finish.

## NOTE

If these conditions persist, a home water softener should be considered.

## ERROR CODES

In certain situations which are critical to the machines function and safe operations.

### Error 01

Leak Detector - When water is detected under the tub.

### Error 02

Thermistor - When thermistor/turbidity module fails

### Error 03

Wash Pump - Wash pump not operating

### Error 04

Drying Damper - Drying damper not operating

### Error 05

Upper Fan - When in the dry cycle, the control board does not receive proper speed feedback from the upper fan

### Error 06

Lower Fan - When in the dry cycle, the control board does not receive proper speed feedback from the lower fan

### Error 07

Drain Valve - When in the drain mode, the control board does not receive proper position feedback from the drain valve

### Error 08

Tactile or touch switch - Control board has verified a switch on the user interface is bad or shorted

### Error 09

Communications - Communication failure between main user board and power supply

### Error 10

Mains Relay - Failure in the mains power relay

### Error 11

Drain Valve - Time out before finding a state for the drain valve

### Error 12

Drain Valve - The drain valve is running when it should be off

### Error 13

System wide - Lost control of the State Machine

Your appliance is covered by a one year limited warranty. For one year from your original date of purchase, Electrolux will repair or replace any parts of this appliance that prove to be defective in materials or workmanship when such appliance is installed, used, and maintained in accordance with the provided instructions. The stainless tub and door liner of your appliance are covered by a lifetime limited warranty. During the lifetime of the appliance, Electrolux will provide a replacement stainless tub or door liner that fails to contain water due to a defect in materials or workmanship if the appliance has been installed, used, and maintained in accordance with the provided instructions. In addition, the dishwasher racks and the electronic control module of your appliance are covered by a two through five year limited warranty. During the 2nd through 5th years from your original date of purchase, Electrolux will provide a replacement dishwasher rack or electronic control module for your appliance which has proven to be defective in materials or workmanship when such appliance is installed, used, and maintained in accordance with the provided instructions.

## Exclusions

This warranty does not cover the following:

1. Products with original serial numbers that have been removed, altered or cannot be readily determined.
2. Product that has been transferred from its original owner to another party or removed outside the USA or Canada.
3. Rust on the interior or exterior of the unit.
4. Products purchased "as-is" are not covered by this warranty.
5. Food loss due to any refrigerator or freezer failures.
6. Products used in a commercial setting.
7. Service calls which do not involve malfunction or defects in materials or workmanship, or for appliances not in ordinary household use or used other than in accordance with the provided instructions.
8. Service calls to correct the installation of your appliance or to instruct you how to use your appliance.
9. Expenses for making the appliance accessible for servicing, such as removal of trim, cupboards, shelves, etc., which are not a part of the appliance when it is shipped from the factory.
10. Service calls to repair or replace appliance light bulbs, air filters, water filters, other consumables, or knobs, handles, or other cosmetic parts.
11. Labor or in-home service costs during the additional limited warranty periods beyond the first year from your original date of purchase.
12. Pickup and delivery costs; your appliance is designed to be repaired in the home.
13. Surcharges including, but not limited to, any after hour, weekend, or holiday service calls, tolls, ferry trip charges, or mileage expense for service calls to remote areas, including the state of Alaska.
14. Damages to the finish of appliance or home incurred during transportation or installation, including but not limited to floors, cabinets, walls, etc.
15. Damages caused by: services performed by unauthorized service companies; use of parts other than genuine Electrolux parts or parts obtained from persons other than authorized service companies; or external causes such as abuse, misuse, inadequate power supply, accidents, fires, or acts of God.

## DISCLAIMER OF IMPLIED WARRANTIES; LIMITATION OF REMEDIES

CUSTOMER'S SOLE AND EXCLUSIVE REMEDY UNDER THIS LIMITED WARRANTY SHALL BE REPAIR OR REPLACEMENT AS PROVIDED HEREIN. **CLAIMS BASED ON IMPLIED WARRANTIES, INCLUDING WARRANTIES OF MERCHANTABILITY OR FITNESS FOR A PARTICULAR PURPOSE, ARE LIMITED TO ONE YEAR OR THE SHORTEST PERIOD ALLOWED BY LAW, BUT NOT LESS THAN ONE YEAR.** ELECTROLUX SHALL NOT BE LIABLE FOR CONSEQUENTIAL OR INCIDENTAL DAMAGES SUCH AS PROPERTY DAMAGE AND INCIDENTAL EXPENSES RESULTING FROM ANY BREACH OF THIS WRITTEN LIMITED WARRANTY OR ANY IMPLIED WARRANTY. SOME STATES AND PROVINCES DO NOT ALLOW THE EXCLUSION OR LIMITATION OF INCIDENTAL OR CONSEQUENTIAL DAMAGES, OR LIMITATIONS ON THE DURATION OF IMPLIED WARRANTIES, SO THESE LIMITATIONS OR EXCLUSIONS MAY NOT APPLY TO YOU. THIS WRITTEN WARRANTY GIVES YOU SPECIFIC LEGAL RIGHTS. YOU MAY ALSO HAVE OTHER RIGHTS THAT VARY FROM STATE TO STATE.

## If You Need Service

Keep your receipt, delivery slip, or some other appropriate payment record to establish the warranty period should service be required. If service is performed, it is in your best interest to obtain and keep all receipts. Service under this warranty must be obtained by contacting Electrolux at the addresses or phone numbers below.

This warranty only applies in the USA, Puerto Rico and Canada. In the USA and Puerto Rico, your appliance is warranted by Electrolux Major Appliances North America, a division of Electrolux Home Products, Inc. In Canada, your appliance is warranted by Electrolux Canada Corp. Electrolux authorizes no person to change or add to any obligations under this warranty. Obligations for service and parts under this warranty must be performed by Electrolux or an authorized service company. Product features or specifications as described or illustrated are subject to change without notice.

USA  
1-877-435-3287  
Electrolux Major Appliances North America  
P.O. Box 212378  
Augusta, GA 30907

Canada  
1-800-265-8352  
Electrolux Canada Corp.  
5855 Terry Fox Way  
Mississauga, Ontario, Canada L5V 3E4

## TABLA DE MATERIAS

<b>Donde Obtener Información</b> .....	<b>23</b>
Anote estos datos para uso futuro .....	23
¿Consultas? .....	24
Internet .....	24
<b>Seguridad</b> .....	<b>24</b>
Instrucciones importantes sobre seguridad	25
<b>Descripción de las Características</b> .....	<b>26</b>
Cómo funciona su lavavajillas .....	26
<b>Instrucciones de Funcionamiento</b> .....	<b>27</b>
Cómo usar el lavavajillas .....	27
Sonidos normales de funcionamiento .....	27
Selecciones de ciclos de lavado .....	28
Selecciones de ciclos .....	28
Selecciones de opciones de energía ...	29-30
Selecciones de funcionamiento .....	30
Indicador visual .....	31
<b>Preparación y Carga de la Vajilla</b> .....	<b>32</b>
Preparación de los platos .....	32
Carga de la canastilla superior .....	32
Carga de la canastilla inferior .....	33
Ajuste de la altura de la canastilla .....	34
Carga de la cestilla de la cuchillería .....	35
Agregando un plato .....	35
<b>Distribuidor y Detergentes del Lavavajillas</b>	<b>36</b>
Llenado del distribuidor de detergente .....	36
Cantidad de detergente necesaria .....	36
Guía de uso del detergente .....	37
Agente de enjuague .....	38
<b>Factores que Afectan el Rendimiento</b> .....	<b>39</b>
Presión del agua .....	39
Temperatura del agua .....	39
<b>Cuidado y Limpieza</b> .....	<b>40</b>
Exterior .....	40
Interior .....	41
Preparación para el invierno .....	41
<b>Soluciones a Problemas Comunes</b> .....	<b>42</b>
Quedan manchas de alimentos	
en los platos .....	42
Los platos no se secan .....	42
Fisuras superficiales .....	42
Cuchillería o artículos de vidrio manchados	
u opacos .....	43
Vajilla dañada .....	43
Vajilla manchada o descolorida .....	44
Queda detergente en el compartimiento	
del distribuidor .....	44

El lavavajillas tiene escape .....	44
Sonidos normales que usted escuchará ...	45
Agua en el fondo de la tina .....	45
El lavavajillas no funciona .....	45
El lavavajillas no se llena .....	45
El lavavajillas tiene un olor .....	45
El lavavajillas no desagua bien .....	46
El ciclo demora demasiado tiempo .....	46
Para quitar películas y manchas .....	46

**Información sobre la Garantía** ..... 47

**Version in English** ..... 3

**Version en français** ..... 48

## Leer y ahorrar por favor esta guía

Gracias por elegir **Electrolux**, la nueva marca de fabrica superior en los aparatos electrodomesticos. Este & del uso; La guía del cuidado es parte de nuestra comision a la satisfaccion del cliente y de calidad del producto a traves de la vida de servicio de tu nueva aplicacion.

Vemos tu compra como el principio de una relacion. Para asegurar nuestra capacidad de continuar sirviendote, utilizar pro favor esta pagina para registrar la informacion de producto importante.

## Guardar un expediente para la referencia rapida

Fecha de la compra

Numero de modelo de Electrolux

Numero de serie de Electrolux

## ¿CONSULTAS?

Para la ayuda gratis del telefono en los E.E.U.U y el Canadá:

**1-877-4ELECTROLUX (1-877-435-3287)**

Para la visita en linea [http://](http://www.electroluxappliances.com) de la informacion de la ayuda y de la produccion del internet

**[www.electroluxappliances.com](http://www.electroluxappliances.com)**



### NOTA

Colocar tu producto con Electrolux realza o capacidad de servirte. Puedes colocarse en linea en **[www.electroluxappliances.com](http://www.electroluxappliances.com)** con o cayendo tu tarjeta de registro del producto en el correo.

## INSTRUCCIONES IMPORTANTES SOBRE SEGURIDAD

Por favor lea todas las instrucciones de seguridad antes de usar su nuevo lavavajillas Electrolux.

- Lea todas las instrucciones antes de usar su lavavajillas.
- Use su lavavajillas solamente como se indica en esta Guía de Uso y Cuidado.
- Este manual no cubre todas las posibles condiciones y situaciones que pueden ocurrir. Use sentido común y precaución cuando instale, haga funcionar y repare cualquier electrodoméstico.
- Los lavavajillas para uso doméstico certificados por la National Sanitation Foundation (Fundación Nacional de Sanidad - NSF) no están destinados para uso en establecimientos con venta de bebidas alcohólicas. Tales establecimientos necesitan un lavavajillas de temperatura más alta del agua para cumplir los requerimientos de esterilización comercial.
- EL LAVAVAJILLAS DEBE SER PUESTO A TIERRA. Lea los detalles en las instrucciones de instalación.
- Este lavavajillas ha sido diseñado para funcionar con la corriente normal del hogar (120 V, 60 Hz.). Use un circuito equipado con un fusible de 15 amperes o un disyuntor. Use un fusible de 20 amperes si el lavavajillas está conectado a un triturador de desperdicios de comidas.
- No ponga en marcha el lavavajillas a menos que todos los paneles de cerramiento estén instalados en sus lugares como se explica en las Instrucciones de Instalación provistas con su lavavajillas.
- A fin de evitar atrapamiento y/o asfixia, retire la puerta del compartimiento del lavado cuando se deshaga o ponga fuera de servicio un lavavajillas antiguo.
- Mantenga a los niños pequeños y bebés a una distancia prudente del lavavajillas cuando esté en funcionamiento.
- Use solamente detergentes y agentes de enjuague recomendados para uso en un lavavajillas.
- No abuse, ni se siente o se pare en la puerta o en la canastilla del lavavajillas.
- Guarde el detergente y los agentes de enjuague del lavavajillas fuera del alcance de los niños.
- No lave artículos de plástico a menos que estén marcados "resistentes al lavavajillas" o algo similar. Si no están marcados, consulte con el fabricante para obtener las recomendaciones. Los artículos que no son resistentes al lavavajillas pueden derretirse y crear un peligro potencial de incendio.



- Si el lavavajillas se desagua en un triturador de desperdicios de comidas, asegúrese de que el triturador está completamente vacío antes de poner en funcionamiento el lavavajillas.
- Desenchufe el lavavajillas antes de repararlo.
- Las reparaciones deben ser hechas por profesionales calificados de Electrolux.
- No modifique los controles.
- Tenga cuidado cuando retire la vajilla al terminar el lavado si se ha usado la opción 'SANITIZE' (Esterilizar). Los artículos pueden estar muy calientes si se tocan inmediatamente después de finalizado el ciclo.
- Cuando coloque en el lavavajillas los artículos:
  - Coloque los artículos afilados y los cuchillos de modo que no vayan a dañar la tina o la junta de la tina
  - Coloque los artículos afilados y los cuchillos con los mangos hacia arriba a fin de reducir el riesgo de sufrir cortaduras. Alternativamente, coloque los artículos afilados y los cuchillos en la cesta para utensilios que se encuentra en la canastilla superior.
- Bajo ciertas condiciones se puede producir gas hidrógeno en un sistema de agua caliente que no ha sido usado durante 2 o más semanas. **EL GAS HIDROGENO ES EXPLOSIVO.** Si el sistema del agua caliente no ha sido usado durante tal período, antes de usar el lavavajillas, abra todas las llaves del agua caliente y deje escurrir agua de cada una de ellas durante varios minutos. Esto aliviará cualquier gas hidrógeno acumulado. **EL GAS HIDROGENO ES INFLAMABLE.** No fume ni use una llama abierta durante este tiempo.
- No guarde ni use materiales combustibles, gasolina ni otros vapores inflamables en la cercanía de este o de cualquier otro electrodoméstico.

 **NOTA**

**CONSERVE ESTAS INSTRUCCIONES IMPORTANTES DE SEGURIDAD PARA REFERENCIA FUTURA.**

 **ATENCION**

**Este símbolo le alertará sobre peligros de lesiones, quemaduras, incendios y choque eléctrico.**

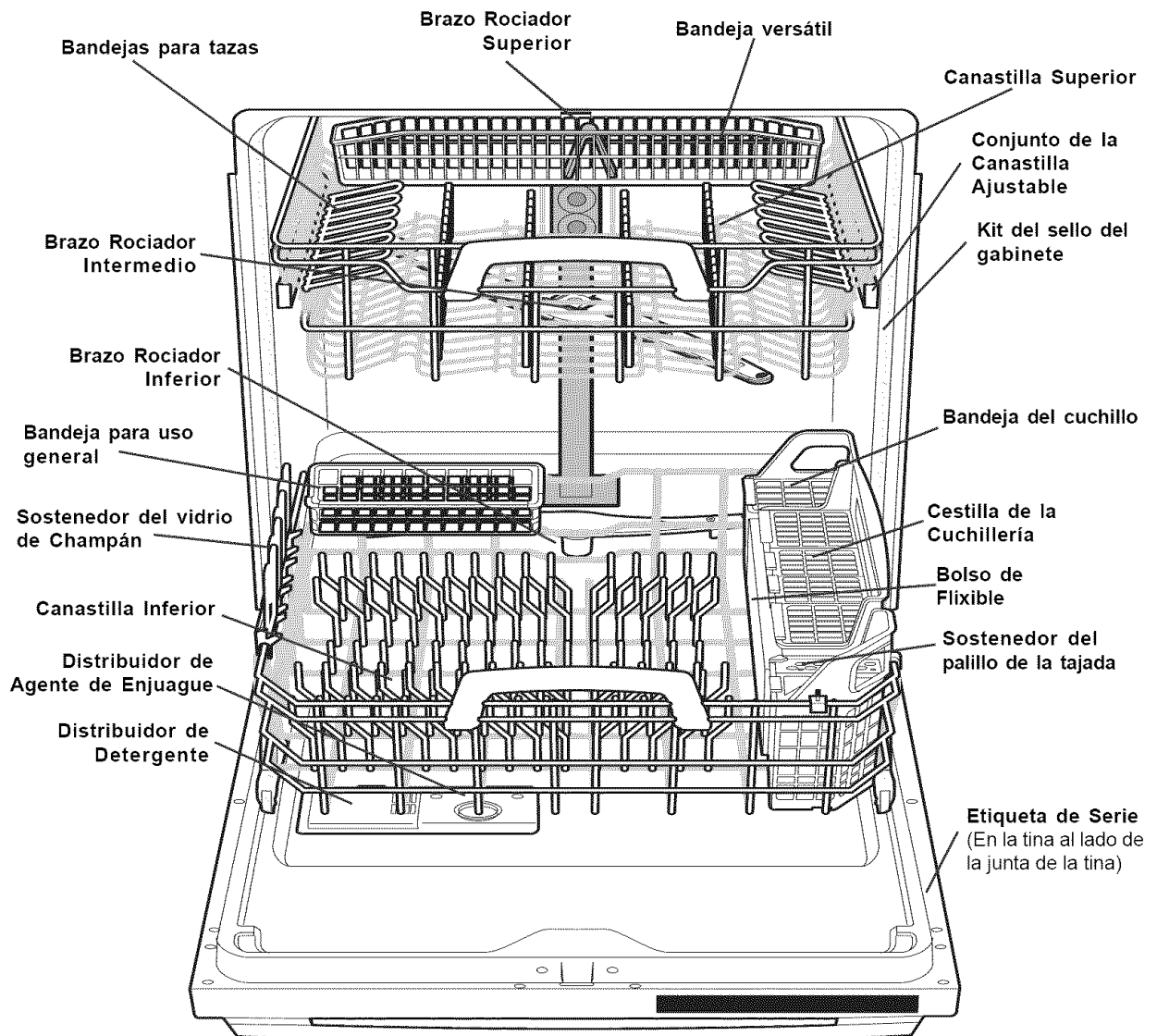
 **ATENCION**

**Para disminuir el riesgo de incendio, choque eléctrico o lesiones cuando esté usando su lavavajillas, siga las precauciones básicas incluyendo las siguientes:**

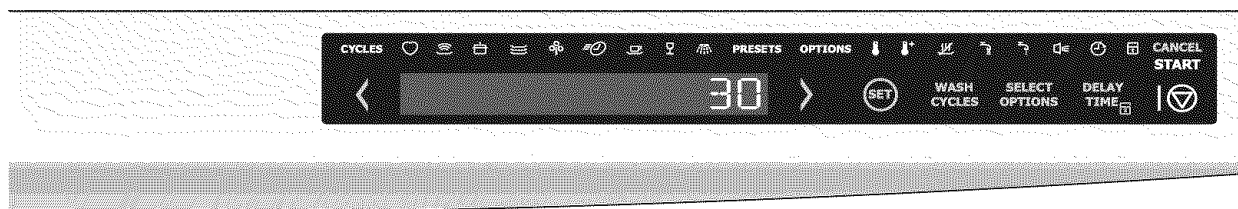
## COMO FUNCIONA SU LAVAVAJILLAS

Su lavavajillas limpia rociando contra las superficies sucias una mezcla de agua caliente y detergente a través de los brazos rociadores. Cada ciclo comienza con un desagüe preliminar.

El lavavajillas se llena con agua cubriendo el área de filtro. El agua luego es bombeada a través del filtro y de los brazos rociadores. Las partículas de suciedad se escurren por el desagüe a medida que el agua es bombeada hacia afuera y reemplazada con agua limpia. El número de llenados de agua variará según el ciclo que se use.



## COMO USAR EL LAVAVAJILLAS



**ICONO DETERMINADO de la prensa y del asimiento por 5 segundos antes del primer uso.**







**Para hacer funcionar su lavavajillas, siga estos pasos básicos:**


- 1 Cargue el lavavajillas. (Ver Preparación y Carga de la Vajilla, páginas 32-35.)
- 2 Agregue el detergente. (Ver Distribuidor y Detergentes del Lavavajillas, páginas 36-38.)
- 3 Agregue el agente de enjuague, si es necesario. (Ver Agente de Enjuague, página 38.)
- 4 Seleccione el CICLO deseado. (Ver Selecciones de Ciclos, página 28.)  
La luz que rodea la tecla se iluminará cuando se oprima la tecla.
- 5 Seleccione las OPCIONES deseadas. (Ver Selecciones de Opciones de Energía, página 29-30.) La luz que rodea la tecla se iluminará cuando se oprima la tecla.
- 6 Para poner en marcha, oprima la tecla 'START/CANCEL' y cierre la puerta. (Ver 'Start/Cancel', página 30.)



## SONIDOS NORMALES DE FUNCIONAMIENTO


Su lavavajillas usa motores eficaces en el uso de la energía para las porciones de lavado y de desagüe del ciclo que haya seleccionado. Cada ciclo tiene una serie de llenados de agua y desagües para lavar y enjuagar los platos. A medida que cada ciclo comienza, usted puede o no oír el motor de desagüe. Usted además puede oír el sonido del agua a medida que entra en la tina y los brazos rociadores girando y circulando el agua. El motor del lavado a menudo pulsa a través del ciclo, lo cual varía la presión del agua y mejora el rendimiento.

## PARA SELECCIONAR EL CICLO NORMAL

Oprima  o  hasta que "NORMAL"  aparezca en la pantalla. Oprima  "SELECT OPTIONS"  o  hasta que se muestren en pantalla las opciones deseadas para el ciclo.

Cuando la opción deseada aparezca en pantalla, oprima .

Para seguir con la selección de las opciones deseadas para el ciclo, oprima  y  para cada opción adicional que desee programar.

Cuando haya seleccionado todas las opciones deseadas para el ciclo, oprima  y cierre la puerta.

## SELECCIONES DE CICLOS DE LAVADO

La duración de los ciclos es aproximada y varía de acuerdo con las opciones seleccionadas. El agua caliente es necesaria para activar el detergente del lavavajillas y derretir la suciedad dejada por alimento grasosos.

Un sensor automático verifica la temperatura del agua de entrada para el lavado principal de cada ciclo, retrasando si es necesario el temporizador, hasta que el agua esté lo suficientemente caliente. Cuando se selecciona 'HI-TEMP WASH' (Lavado con Temperatura Alta), el sensor verifica que la temperatura sea aún más alta. Deje correr el agua caliente de la llave más cercana al lavavajillas hasta que salga caliente.

## SELECCIONES DE CICLOS

El dispositivo 'Smart Sensor' verifica el nivel de suciedad de sus platos en los ciclos 'Auto' (Automático), 'Heavy' (Suciedad Intensa), 'Normal' (Suciedad Normal) y 'Quick' (Apriso). Dependiendo del nivel de suciedad, el sensor determinará si se necesitan llenados de agua adicionales para lavar los platos o si es necesario suprimir algunos llenados de agua. La duración del ciclo y el consumo de agua variarán de acuerdo con la cantidad de suciedad de los platos. La duración del ciclo también variará según las opciones seleccionadas y la temperatura del agua de admisión.

### ' My Favorite'



Este ajuste permite programar el ciclo y las opciones preferidas con un solo botón. Para programar el ciclo favorito ("Favorite Cycle"): empiece por oprimir solamente el icono "Set", hasta que la palabra «Welcome» aparezca en pantalla; esto le permitirá seleccionar el ciclo deseado. Después de oprimir la flecha del icono «Set» hasta llegar al ciclo favorito, oprima el icono «Set» para configurar su selección. Después de haber elegido los ciclos, oprima la flecha del icono «Select Options» para elegir las opciones correspondientes. Todas las opciones estarán desactivadas hasta que oprima el icono «Set». Cuando haya elegido las opciones deseadas, oprima el icono «Wash Cycle», seguido de «Set», y luego oprima «Start», «Saved» aparecerá en la pantalla. Una vez terminada la programación, solamente tiene que oprimi el icono «Favorite» y después la tecla «Start/Cancel» para que empiece el ciclo favorito programado.

### 'Auto Wash'



Cuando se coloca en el lavavajillas una carga parcial de platos ligeramente sucios, automáticamente se realizará un ciclo de lavado similar a un lavado corto. Cuando se coloca una carga completa de platos muy sucios, automáticamente se realizará un ciclo de lavado intenso. La tecnología 'Smart Sensor' del lavavajillas determinará el tipo de ciclo requerido para lavar los platos y lavará más eficazmente cada vez. El consumo de agua varía de aproximadamente 5,5 a 10,8 galones. La duración del ciclo es de aproximadamente 99 y 162 minutos.

## 'Heavy Wash'



Para ollas, sartenes, cacerolas y platos con restos de alimentos resacos o quemados. El consumo de agua varía de aproximadamente 9,5 galones. La duración del ciclo es de aproximadamente 130 y 149 minutos.

## 'Normal Wash'



Para cuchillería y platos normalmente sucios. El consumo de agua varía de aproximadamente 4,4 a 9,5 galones. La duración del ciclo es de aproximadamente 91 y 144 minutos.

## 'Eco Wash'



Para cuchillería y platos que han sido enjuagados y están ligeramente sucios. El consumo de agua varía de aproximadamente 5,7 a 6,8 galones. La duración del ciclo es de aproximadamente 78 y 80 minutos.

## 'Quick Wash'



Para cuchillería y platos que han sido enjuagados y están ligeramente sucios. El consumo de agua varía de aproximadamente 6,9 galones. La duración del ciclo es de aproximadamente 45 minutos.

## 'Delicate'



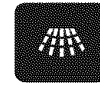
Para China fina ligeramente manchada. El consumo de agua varía de aproximadamente 6,9 a 8,2 galones. La duración del ciclo es de aproximadamente 91 y 106 minutos.

## 'Stemware'



Para China y el cristal finos ligeramente manchados. El consumo de agua varía de 6,8 galones. El tiempo de lavado varía entre 85 y 92 minutos.

## 'Rinse Only'



Para enjuagar platos que serán lavados más tarde. El consumo de agua es de aproximadamente 2,8 galones. La duración del ciclo es de aproximadamente 20 minutos.

## SELECCIONES DE OPCIONES DE ENERGIA

### 'Hi-Temp Wash'



Cuando se selecciona la opción 'HI-TEMP WASH' (Lavado con Temperatura Alta) el lavavajillas calienta el agua en el lavado principal aproximadamente a 140°F (60°C).

Esta temperatura más alta ayuda a que el detergente del lavavajillas quite el alimento, grasa y suciedad de los platos de manera más eficaz y a la vez mejora el secado. La opción 'HI-TEMP WASH' puede ser usada con todos los ciclos excepto con 'RINSE' (Enjuague).

Cuando se seleccione la opción 'HI-TEMP WASH', la luz que rodea la tecla se iluminará y permanecerá iluminada hasta el fin del ciclo.

Para apagar la opción 'HI-TEMP WASH', oprima nuevamente la tecla. La luz que rodea la tecla se apagará.

## 'Sanitize' (Esterilizar)



Para esterilizar sus platos y vasos, seleccione la opción 'SANITIZE'. Cuando se selecciona, la luz que rodea la tecla se iluminará y permanecerá iluminada hasta que se oprima la tecla 'START/CANCEL' o se cierre la puerta. Esta opción aumenta la temperatura del agua en el enjuague final a 155°F (68°C) y mantiene tal temperatura durante 9 minutos. La opción 'SANITIZE' está disponible en los ciclos 'Auto Wash', 'Heavy Wash' y 'Normal Wash'. Solamente estos ciclos de esterilización han sido diseñados para cumplir los requerimientos de la NSF.

*La duración del ciclo se prolongará hasta que se alcance la temperatura apropiada del agua. El lavado continúa durante el período de calentamiento del agua. Para mejores resultados, la temperatura del agua de admisión debe ser por lo menos de 120°F (49°C).*

La luz que rodea la tecla no se iluminará al final del ciclo si no se lograron los requerimientos de esterilización de la NSF. El criterio de esterilización no se cumplirá si el ciclo se interrumpe, si ocurre una falla de energía o si la temperatura del agua es inferior a 120°F (49°C).

Para apagar la opción 'SANITIZE', oprima nuevamente la tecla. La luz que rodea la tecla se apagará.

## SELECCIONES DE FUNCIONAMIENTO

### 'Delay TIME'



La opción 'DELAY TIME' (Comienzo Diferido) le permite diferir automáticamente la puesta en marcha del lavavajillas de 30 min a 24 horas.

Oprima la tecla 'DELAY TIME' hasta que el tiempo diferido deseado aparezca en el indicador visual. Se iluminará una luz indicando las horas de comienzo del lavado diferido y permanecerá encendida hasta que comience el ciclo.

Para cancelar la opción 'DELAY TIME' y comenzar el ciclo antes de que acabe el período diferido, oprima la tecla 'START/CANCEL'.

## NOTA

**Si se abre la puerta durante el funcionamiento normal, el ciclo seleccionado solamente se detendrá pero no se apagará.**

### 'Start/Cancel'

Para comenzar un ciclo, oprima una vez la tecla 'START/CANCEL' y cierre la puerta.

Para cancelar un ciclo en curso, abra la puerta y oprima una vez la tecla 'START/CANCEL'. Cierre la puerta nuevamente y el lavavajillas se desaguará y apagará.

### 'Chime' (campanilla)

Los modelos selectos están equipados con un sonido de campanilla, como indicación audible de que se ha oprimido un ciclo o seleccionado una opción. La campanilla también indica la finalización del ciclo seleccionado.

Para ajustar el volumen presionar el touchpad SELECT OPTION. Entonces accionar la palanca usar el > se exhiben los VOLUME SETTING de unidad del touchpad. Presionare el touchpad del SET y después accionar la palanca usar < o > se alcanza el untilt de los touchpads que él deseó el voulment. Presionar el touchpad del SET para ahorrar tu selección.

### Controles a prueba de niños

A fin de evitar que los niños cambien accidentalmente el ciclo del lavavajillas o que pongan en marcha el lavavajillas, bloquee los controles oprimiendo momentáneamente la tecla DELAY TIME durante 3 segundos. Se iluminará una luz indicadora en la tecla con el símbolo de bloqueo cuando los controles estén bloqueados y no se podrán hacer nuevas selecciones hasta que no se cancele el bloqueo. Para desbloquear los controles, oprima la tecla DELAY TIME hasta que se apague la luz indicadora.

## 'Disable the display' (desactivar la pantalla)

La función “**disable the display**” puede ser utilizada durante el Shabat y otras fiestas judías. El lavavajillas puede ser utilizado para almacenamiento durante este tiempo.

Cuando la pantalla se apaga adecuadamente, el lavavajillas no emitirá señales sonoras ni mostrará mensajes de texto.

Puede programar el ciclo de lavado para que corra durante este tiempo. Para hacer esto, oprima “**Start**”, luego “**disable the display**” y cierre la puerta del lavavajillas. Después de que el ciclo de lavado haya terminado, la luz indicadora permanecerá ON incluso cuando abra o cierre la puerta. La luz de limpieza se OFF automáticamente 2 horas después de que haya terminado el ciclo de limpieza.

También puede apagar la pantalla **sin** programar un ciclo de limpieza.

Para apagar la pantalla, **oprime y mantenga oprimida la tecla de flecha izquierda durante 10 segundos**. Para encender nuevamente la pantalla, oprime y mantenga oprimida la tecla de flecha izquierda durante 10 segundos.

## Indicaciones del Error

En ciertas situaciones que sean críticas a la función de la máquina y a la operación segura, el control cerrará e indicará un código de error ‘Er’. En unidades sin una exhibición, todas las luces de indicador descellarán. (Ver Códigos De Error, página 46.)

Si uno de estos códigos es contactado exhibido el centro de cuidado del cliente de Electrolux en **1-877-435-3287**. Podrán proporcionar el asistancia en la localización de averías del problema y/o la localización de un servicio autorizado technician, si están necesitados.

## 'Wash Pressure'

L'option WASH PRESSURE vous permet de sélectionner la pression de l'eau de lavage désirée en fonction de la quantité de vaisselle à nettoyer. Lorsque l'option HIGH WASH PRESSURE est sélectionnée, ce qui permet de nettoyer de façon plus rapide et plus efficace. Lorsque l'option LOW WASH PRESSURE est sélectionnée, la pression de l'eau de lavage diminue de qui permet de nettoyer la vaisselle délicate sans l'endommager. Cuando el AIR DRY se selecciona, el calor seco no será activado esto ahorrará energía y tiempo.

## INDICADOR VISUAL

El indicador visual muestra los códigos que se despliegan típicamente durante el funcionamiento normal o cuando se programa el lavavajillas. El indicador visual está en blanco cuando la puerta está cerrada. El indicador visual muestra la siguiente actividad:

**30 MIN -24HRS.** Indica el número de horas que se ha diferido el comienzo del ciclo seleccionado.

**CLOSE DOOR** Destella una vez después de haberse seleccionado el programa y oprimido la tecla 'START/CANCEL'. También destella si la puerta se abre durante un ciclo de lavado. Cierre la puerta del lavavajillas para comenzar o continuar un ciclo de lavado.

**WELCOME** Aparece en el indicador 3 seconds cuando el lavavajillas es instalado por primera vez o cuando ha habido una interrupción de la energía eléctrica.

## 'Blue Light' (Luz Azul)

Cuando es AZUL Luminates LIGERO en el piso esto indica que el ciclo de la colada está terminado.

## PREPARACION DE LOS PLATOS

Raspe los pedazos grandes de alimento, huesos, huesos de fruta, picadientes, etc. El sistema de lavado retirará el resto de las partículas de comida. Raspe con cuidado el alimento quemado con un utensilio que no raye o coloque el plato a remojar antes de lavarlo (Ver Figure 1). Vacíe los líquidos de los vasos y tazas.

Los alimentos que contienen aceite vegetal y/o aditivos químicos tales como mostaza, mayonesa, vinagre, jugo de limón o productos a base de tomate pueden causar descoloración del acero inoxidable y de los plásticos si se dejan sin lavar durante un período de tiempo prolongado. A menos que el lavavajillas vaya a ser puesto a funcionar inmediatamente, es mejor enjuagar los platos para quitar previamente tales suciedades.

- Acomode las canastillas de modo que los artículos grandes no interfieran con la apertura del distribuidor de detergente.
- Verifique las recomendaciones del fabricante antes de lavar los artículos sin indicaciones.
- Si el lavavajillas desagua hacia un triturador de alimentos, **asegúrese de que el triturador esté completamente vacío antes de poner en marcha el lavavajillas.**

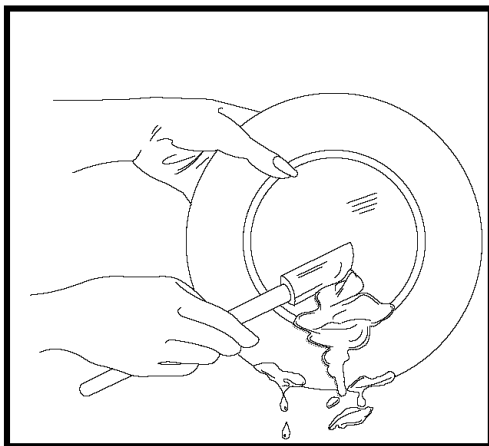
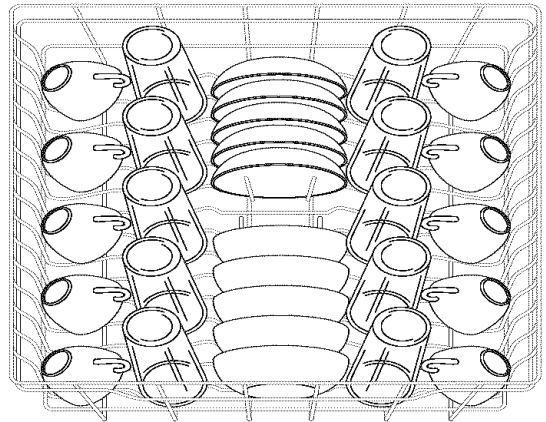


Figure 1

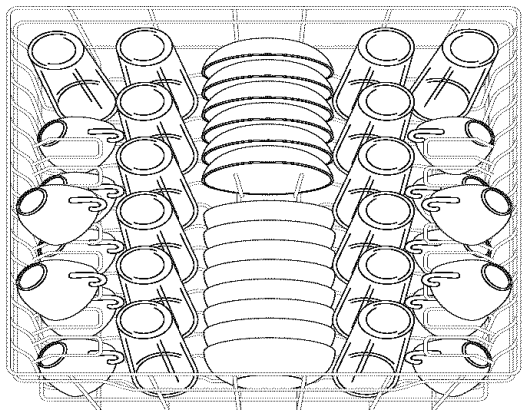
## CARGA DE LA CANASTILLA SUPERIOR

Lacanastilla superior ha sido diseñada para acomodar con facilidad una variedad de artículos incluyendo tazas, vasos, copas, platos pequeños, tazones, etc.

- Los vasos deben colocarse en la canastilla superior. Se pueden dañar si se colocan en la canastilla inferior.
- Coloque los artículos con los extremos abiertos dirigidos hacia abajo para una mejor limpieza y desagüe.
- Puede ocurrir daño si los artículos delicados quedan tocándose unos con otros durante el funcionamiento del lavavajillas.
- Los cuchillos y utensilios de mango largo pueden ser colocados en la cestilla para utensilios en la canastilla superior.
- Asegúrese de que nada sobresalga a través de la parte inferior de la canastilla que pueda bloquear la rotación del brazo rociador intermedio.



patron de carga normal con 10 ajustes de posiciones

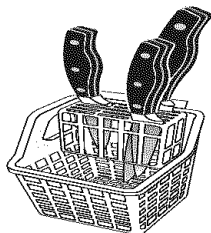


patron de carga normal con 14 ajustes de posiciones



## Cesta para cuchillos

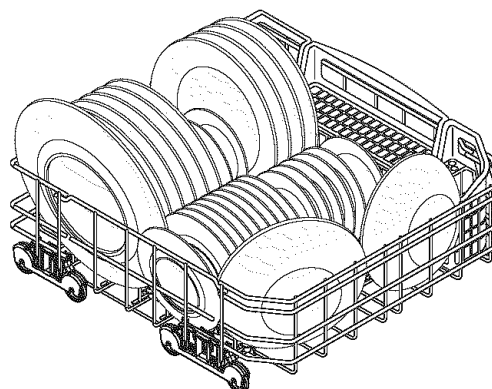
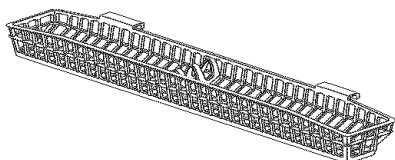
La cesta para cuchillos se usa con la cesta para cubiertos con el fin de colocar cuchillos pequeños para cortar filetes de carne.



- Para obtener mejores resultados, coloque los tazones, cacerolas y sartenes con la superficie sucia hacia abajo o hacia el centro. Inclínelos ligeramente para un mejor desagüe.
- Asegúrese de que los artículos altos no bloqueen la rotación del brazo rociador intermedio.
- Asegúrese de que los mangos de los sartenes no sobresalgan a través de la parte inferior de la canastilla y bloqueen la rotación del brazo rociador inferior.

## La bandeja para versa

La bandeja para versa se puede usar en la rejilla superior para colocar cuchillos o cualquier otro utensilio de tamaño grande.



patron de carga normal con 10 ajustes de posiciones



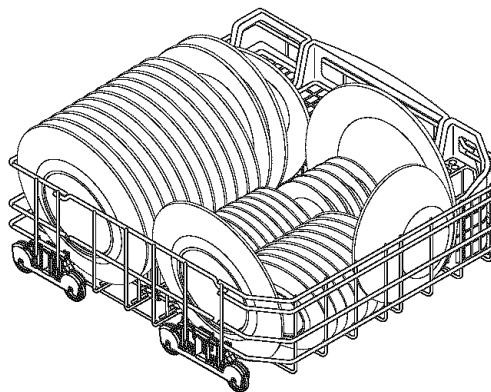
### NOTA

Las características en el modelo de su lavavajillas pueden ser diferentes a las ilustraciones de este manual.

## CARGA DE LA CANASTILLA INFERIOR

La canastilla inferior ha sido diseñada para platos, platitos, tazones y ollas.

- Los artículos grandes deben ser colocados a lo largo del borde de modo que no bloqueen la rotación del brazo rociador central.

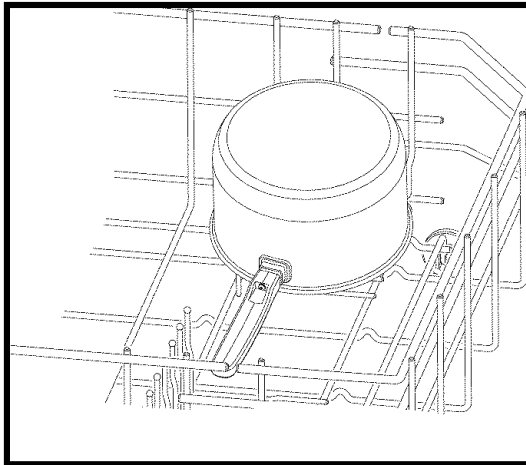


patron de carga normal con 14 ajustes de posiciones

## Soportes Abatibles

Los soportes abatibles en la canastilla inferior facilitan la carga de aquellos artículos grandes o difíciles de colocar. Los soportes pueden ser dejados levantados para uso normal o plegados para mayor flexibilidad de la carga.

Coloque los soportes hacia abajo para facilitar la carga de ollas y sartenes grandes.

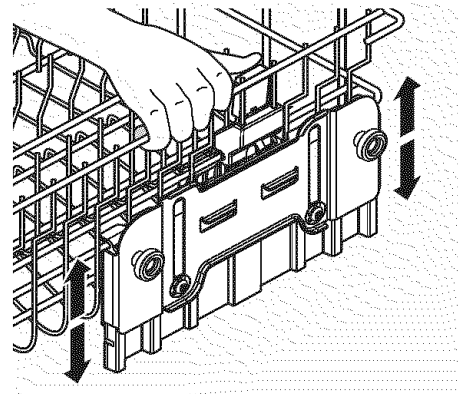


## AJUSTE DE LA ALTURA DE LA CANASTILLA

La altura de la rejilla superior se puede ajustar fácilmente, a fin de que puedan colocarse vasos altos en cualquiera de las rejillas. La altura se puede ajustar con o sin objetos de la vajilla en las rejillas.

Para colocar vasos altos en la rejilla inferior, eleve la altura de la rejilla de la forma siguiente: Para elevar la rejilla a la posición intermedia o superior, solamente tiene que levantar la rejilla. La palanca se acciona con un resorte para encajar en la posición intermedia o superior. Para bajar la rejilla a la posición intermedia o inferior, solamente tiene que presionar la rejilla. Al liberar la palanca la rejilla podrá encajar en la posición intermedia.

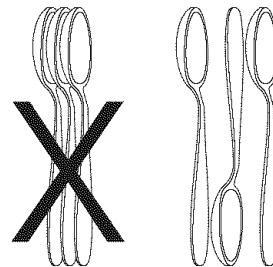
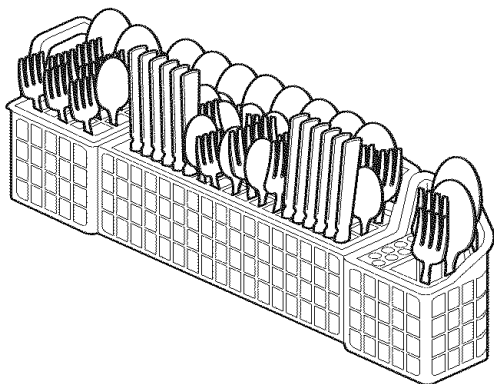
La posición superior permite una altura adicional para colocar objetos de la vajilla en la rejilla inferior.



## CARGA DE LA CESTILLA DE LA CUCHILLERÍA

Cargue la cestilla de la cuchillería cuando esté colocada en la canastilla inferior o sáquela hacia afuera para cargarla sobre la mesada.

- Coloque los artículos pequeños como las tapas de las mamaderas, tapas de frascos, sujetadores de elotes, etc. en una de las secciones con tapa. Cierre la tapa para mantener los artículos pequeños en su lugar.
- Asegúrese de que nada sobresalga a través de la parte inferior de la cestilla o de la canastilla inferior que bloquee el brazo rociador inferior.
- No mezcle artículos de plata y de acero inoxidable a fin de evitar que se dañe el acabado de la plata.



Cuando las tapas estén hacia arriba, mezcle los artículos no afilados en cada sección de la cestilla con algunos dirigidos hacia arriba y algunos hacia abajo para evitar que se aniden unos contra otros. El agua rociada no puede llegar a los artículos que están anidados.

## AGREGANDO UN PLATO

Para agregar o quitar artículos después de que ha comenzado el ciclo de lavado:

- 1 Abra ligeramente la puerta y espere unos pocos segundos hasta que se detenga el lavado antes de abrirla completamente.
- 2 Agregue el artículo olvidado.
- 3 Cierre firmemente la puerta con seguro y el ciclo se reanudará automáticamente.

### ATENCION

**PARA EVITAR SUFRIR UNA CORTADURA:** Cargue los artículos afilados (cuchillos, broquetas, etc.) con las puntas hacia abajo. El incumplimiento de esta advertencia puede ocasionar una lesión.

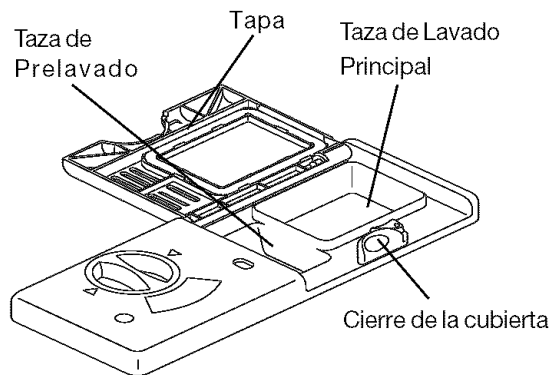
### ATENCION

**PARA EVITAR SUFRIR UNA QUEMADURA:** Abra ligeramente la puerta y espere hasta que los brazos rociadores y la acción de lavado se detenga. Puede salpicar agua caliente hacia afuera del lavavajillas. El incumplimiento de esta advertencia puede ocasionar una lesión.

## LLENADO DEL DISTRIBUIDOR DE DETERGENTE

El distribuidor de detergente tiene dos compartimientos tapados. Llène uno para cargas pequeñas. Llène ambos para cargas más grandes. Cierre la tapa y agregue detergente en la parte indentada de la tapa para un lavado preliminar. El detergente en la sección de lavado preliminar de la tapa cae hacia el lavavajillas cuando se cierra la puerta. Los compartimientos tapados se abren automáticamente para distribuir el detergente.

- Use solamente detergente para lavavajillas automáticos. Otro detergente causaría demasiada espuma.
- Cuando use tabletas de detergente para lavavajillas automáticos, coloque una tableta en el compartimiento de lavado principal y ciérrelo.
- Agregue el detergente justo antes de comenzar el ciclo.
- Guarde el detergente en un lugar fresco y seco. Los detergentes húmedos o endurecidos no se disolverán en forma apropiada.



## CANTIDAD DE DETERGENTE NECESARIA

La cantidad de detergente que se debe usar depende de la dureza del agua. *La dureza del agua se mide en granos por galón (gpg)*. El "agua dura" contiene grandes cantidades de minerales ásperos en forma granulada, más de 10 a 11 granos por galón (gpg) lo cual puede afectar la calidad del agua.

Si usa muy poco detergente puede resultar en una limpieza deficiente y en la formación de una película o manchas debido al agua dura. Si usa demasiado detergente en agua blanda se puede causar la formación de "fisuras superficiales" permanentes. (Ver Fisuras Superficiales, página 42.)

Su compañía de agua local, la compañía de ablandamiento de agua o el agente de su distrito pueden informarle sobre la dureza del agua en su área.

### ATENCION

El uso de detergentes industriales puede dañar el del lavavajillas, lo que causaría daños a la unidad y a la propiedad que lo rodea. Sólo use detergentes para lavavajillas automáticos para el hogar.

## GUIA DE USO DEL DETERGENTE

Consulte la tabla siguiente para el uso de detergente recomendado.

Ciclo	Agua Blanda (0 a 3 granos)	Agua Semidura (4 a 8 granos)	Agua Dura (9 a 12 granos)	Agua Muy Dura* (Más de 12 granos)
<b>Pesado, automóvil o Normal</b>	<b>2 Cucharaditas</b> (Compartimiento de lavado principal – ¼ de la capacidad)	<b>5 Cucharaditas</b> (Compartimiento de lavado principal – llenar hasta la línea más arriba de "Regular")	<b>8 Cucharaditas</b> (Compartimiento de lavado principal completamente lleno)	<b>Cada compartimiento completamente lleno</b> (Se recomienda suavizador de agua)
<b>Lavado Corto</b>	<b>2 Cucharaditas</b> (Compartimiento de lavado principal – ¼ de la capacidad)	<b>5 Cucharaditas</b> (Compartimiento de lavado principal – llenar hasta la línea más arriba de "Regular")	<b>8 Cucharaditas</b> (Compartimiento de lavado principal completamente lleno)	<b>Compartimiento de lavado principal completamente lleno</b> (Se recomienda suavizador de agua)
<b>Enjuague</b>	<b>No usar detergente</b>	<b>No usar detergente</b>	<b>No usar detergente</b>	<b>No usar detergente</b> (Se recomienda suavizador de agua)

Como se muestra en la última columna de esta tabla, se recomienda un ablandador de agua para mejorar la calidad del agua y el rendimiento del lavado cuando se usa agua muy dura.

Otras sugerencias:

- Trate de agregar más detergente al comienzo de la porción del lavado principal del ciclo.
- Como regla general, use una cucharadita por cada grano superior a 12. Saque el seguro de la puerta, abra lentamente y agregue detergente en la parte inferior de la tina.
- Cierre la puerta con seguro y el lavavajillas continuará con el ciclo.

## AGENTE DE ENJUAGUE

**El agente de enjuague mejora enormemente el secado y reduce las manchas y la capa delgada dejada por el agua.** Ayuda a que el agua se extienda sobre los platos en vez de que forme gotitas que se adhieren y dejan manchas.

El distribuidor de agente de enjuague, ubicado junto al compartimiento del detergente, distribuye automáticamente una cantidad medida de agente de enjuague durante el último enjuague. Si existe el problema de manchas y secado deficiente, aumente la cantidad de agente de enjuague distribuida girando el control y colocándolo en un número más alto. El control se encuentra debajo de la tapa del distribuidor.

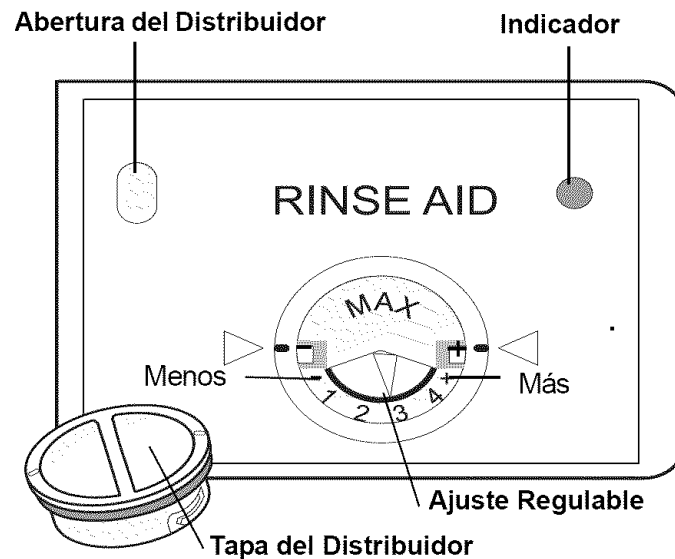
El indicador se oscurece cuando está lleno y queda transparente cuando se debe llenar.

En la aclaración la ayuda es baja, se despliega "LOW RINSE" al final del ciclo indicando que es tiempo de llenar el distribuidor.

### Para agregar agente de enjuague líquido:

- 1 Gire a la izquierda 1/4 de vuelta la tapa del distribuidor y levántela.
- 2 Agregue el agente de enjuague hasta que el líquido toque el MAX nivel de llenado indicado. No llene demasiado pues se puede causar demasiada espuma.
- 3 Vuelva a colocar la tapa.
- 4 Limpie cualquier derrame con un paño húmedo.

El distribuidor tiene capacidad suficiente para 35 a 140 lavados, dependiendo del ajuste en que sea colocado.



## TEMPERATURA DEL AGUA

Se necesita agua caliente para un mejor lavado de la vajilla y mejorar el secado. La temperatura del agua que entra al lavavajillas debe ser por lo menos de 120°F (49°C) para lograr resultados satisfactorios.

### Verificación de la temperatura del agua que entra al lavavajillas:

- 1 Abra la llave del agua caliente que esté más cerca al lavavajillas durante varios minutos para hacer salir el agua fría de las tuberías.
- 2 Coloque un termómetro de carne o repostería en el chorro de agua para verificar la temperatura.
- 3 Si la temperatura es inferior a 120°F (49°C), pida a una persona calificada que eleve el ajuste del termostato del calentador de agua.

## PRESION DEL AGUA

La tubería del agua caliente hacia el lavavajillas debe proporcionar una presión de agua entre 20 y 90 libras por pulgada cuadrada (lbs./pulg.<sup>2</sup>).

Puede ocurrir presión baja del agua cuando la ducha o la lavadora de ropa están en funcionamiento. Espere a que se reduzca el uso del agua antes de poner en marcha el lavavajillas.



### IMPORTANTE

Antes de comenzar un ciclo, haga correr agua caliente para despejar el agua fría de la tubería.

## EXTERIOR

Limpie ocasionalmente las superficies exteriores de su lavavajillas con un detergente suave no abrasivo y agua. Enjuague y seque.

### Puerta de Acero Inoxidable

Limpie la puerta de acero inoxidable y la manija con agua caliente, jabonosa y un paño. Enjuague con agua limpia y un paño. No use limpiadores abrasivos. Use solamente limpiadores domésticos especialmente fabricados para limpiar acero inoxidable.

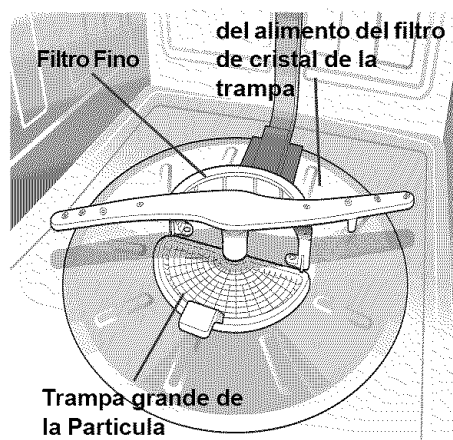
## INTERIOR

Quite las manchas en la puerta y en la tina con un paño húmedo, no abrasivo.

### Cuidado del depósito/filtro de vidrio

El lavavajillas está equipado con un moderno sistema de lavado. Para maximizar el rendimiento del sistema de lavado, es posible que haya que lavar periódicamente el depósito/filtro de vidrio y el depósito/filtro de partículas grandes de alimentos.

El depósito/filtro de vidrio se encuentra en el centro del depósito/filtro de partículas grandes de alimentos. El depósito/filtro de vidrio está diseñado para filtrar y recibir las partículas de vidrios rotos, plástico, huesos y semillas. Para extraer los residuos acumulados en el depósito/filtro de vidrio, sujete el asa del depósito/filtro, levántelo para retirarlo, vacíelo y vuelva a colocarlo en su lugar.





## Cuidado de la Válvula Rompevacío

Si se instaló una válvula rompevacío en su lavavajillas empotrado, verifique para asegurarse de que esté limpia de modo que el lavavajillas pueda desaguar en forma apropiada. La válvula rompevacío generalmente se instala en el fregadero de la mesada y puede ser inspeccionada retirando la tapa. Esto no es parte de su lavavajillas y no está cubierto por la garantía.

### ATENCION

Las temperaturas de congelación pueden causar ruptura de las tuberías del agua. Asegúrese de que todas las tuberías de suministro del agua y las tuberías de circulación dentro del lavavajillas estén protegidas. De lo contrario se pueden ocasionar daños materiales.

## PREPARACION PARA EL INVIERNO

Si el lavavajillas se deja en un lugar sin calefacción debe ser protegido contra congelamiento. Solicite a un técnico calificado que haga lo siguiente:

### Desconexión del Servicio:

- 1 Desconecte la energía eléctrica hacia el lavavajillas en la fuente de suministro, ya sea retirando los fusibles o disparando el disyuntor.
- 2 Cierre el suministro del agua.
- 3 Coloque un recipiente debajo de la válvula de admisión de agua. Desconecte la tubería de agua de la válvula de admisión y desagüe hacia el recipiente.
- 4 Desconecte la tubería de desagüe de la bomba y escurra el agua en el recipiente.

### Para restaurar el servicio:

- 1 Vuelva a conectar el agua, el desagüe y el suministro de energía eléctrica.
- 2 Abra la llave del agua y conecte el suministro de energía eléctrica.
- 3 Llene ambos dispensadores de detergente y ejecute un ciclo de lavado 'HEAVY WASH' (Lavado Intenso).

### NOTA

Vea las instrucciones de instalación para obtener más detalles.

**IMPORTANTE**

Antes de hacer una llamada de servicio, revise primero esta lista. Le puede ahorrar tiempo y gastos. Esta lista incluye las experiencias más comunes que no son el resultado de defectos de materiales o fabricación en su lavavajillas.



## QUEDAN MANCHAS DE ALIMENTOS EN LOS PLATOS

- Verifique la temperatura del agua de admisión. (Ver Como usar el lavavajillas, página 27.) Debe ser de por lo menos 120°F (49°C). (Ver Factores que Afectan el Rendimiento, página 39.)
- Seleccione otro ciclo para un lavado más prolongado.
- Consulte las secciones sobre carga de las canastillas para una carga correcta – evite que los artículos se aniden.
- La presión del agua en el hogar puede ser demasiado baja – debe ser 20 a 90 libras por pulgada cuadrada (lbs./pulg.<sup>2</sup>).
- Verifique la dureza del agua. Para agua extremadamente dura, puede ser necesario instalar un suavizador de agua. (Ver Guía de Uso del Detergente, página 39.)
- Use detergente fresco.
- Asegúrese de que los artículos no estén bloqueando ninguno de los brazos rociadores o impidiendo su rotación.

**LOS PLATOS NO SE SECAN**

- Asegúrese de que el distribuidor de agente de enjuague esté lleno.
- Aumente la cantidad de agente de enjuague (Ver Agente de Enjuague, página 38).
- Verifique la temperatura del agua de admisión. Asegúrese de que esté por lo menos a 120°F (49°C).
- Verifique la carga correcta del lavavajillas, evite anidar los artículos.
- Puede que los artículos de plástico necesiten ser secados con una toalla. Se junta más agua en los artículos de plástico al completarse el ciclo pues ellos no se calientan tanto como el vidrio o los artículos de metal.
- Las tazas con fondo cóncavo pueden retener agua.



## FISURAS SUPERFICIALES

- Si se usa demasiado detergente en agua suave o ablandada se produce esta película que no puede ser quitada.
- Ajuste la cantidad de detergente en base a la dureza del agua. (Ver la Guía de Uso de Detergente, página 37.)
- Baje la temperatura del agua.

**EXHIBICION NO EN MODO DE FUNCIONAMIENTO**

- Mantener el ICONO DETERMINADO por 5 segundos para conseguir la unidad para reajustar al modo de funcionamiento normal.

## CUCHILLERIA O ARTICULOS DE VIDRIO MANCHADOS U OPACOS

- Verifique la dureza del agua. Para agua extremadamente dura, puede ser necesario instalar un suavizador de agua. (Ver la Guía de Uso del Detergente, página 37.)
- La temperatura del agua puede ser demasiado baja. Evite temperaturas extremadamente bajas o altas. (Ver Factores que Afectan el Rendimiento, página 39.)
- Evite cargar demasiado el lavavajillas o cargarlo de manera incorrecta. (Ver Preparación y Carga de la Vajilla, páginas 32-35.)
- Use detergente fresco. El detergente antiguo no es eficaz.
- Asegúrese de que el distribuidor de agente de enjuague esté lleno.
- Verifique que se esté usando la cantidad de detergente apropiada para el ciclo seleccionado. (Ver Llenado del Distribuidor de Detergente, página 36.)
- La presión del agua del hogar puede ser demasiado baja – debe ser entre 20 y 90 libras por pulgada cuadrada (lbs./pulg.<sup>2</sup>).

## VAJILLA DAÑADA

- Cargue con cuidado y no sobrecargue el lavavajillas. (Ver Preparación y Carga de la Vajilla, páginas 32-35.)
- Coloque los artículos delicados en la canastilla superior.
- Coloque los vasos contra los soportes y no sobre los soportes.
- Coloque los artículos en forma segura y a efecto de que no se suelten cuando se mueven las canastillas al deslizarla hacia adentro o hacia afuera. Mueva las canastillas hacia adentro y hacia afuera lentamente.
- Asegúrese de que los vasos y las copas altas no toquen la parte superior de la tina cuando la canastilla es empujada hacia adentro.
- Se recomienda lavar la loza antigua fina y el cristal a mano.

## LA PANTALLA NO FUNCIONA

- Compruebe si la unidad está en modo sabático. Consulte la pág. 31 para.

## VAJILLA MANCHADA O DESCOLORIDA

- El té o el café pueden manchar las tazas. Quite las manchas a mano, lavando con una solución de ½ taza (120 ml) de blanqueador y un cuarto de galón (1 Litro) de agua tibia. Enjuague bien.
- Los depósitos de hierro en el agua pueden producir una película amarilla o café. Este problema puede corregirse instalando un filtro de agua en línea con su suministro de agua.
- Los utensilios de aluminio pueden dejar marcas grises o negras cuando se frotan contra otros artículos. Carguelos de manera apropiada.
- Ciertos alimentos altamente ácidos pueden causar descoloración del acero inoxidable y de los plásticos si se dejan sin enjuagar durante un período largo. Use el ciclo de enjuague o enjuáguelos a mano si no va usar la lavadora inmediatamente.
- Si coloca utensilios de acero inoxidable y de plata en la canastilla de la cuchillería puede causar daño a las hojas de acero inoxidable. Evite mezclar el acero inoxidable y la plata.

## QUEDA DETERGENTE EN EL COMPARTIMIENTO DEL DISTRIBUIDOR

- El detergente puede ser antiguo. Descarte y use detergente fresco.
- Asegúrese de que la acción del agua llega hasta el distribuidor.
- Verifique para ver si el ciclo terminó.
- Asegúrese de que no haya artículos que impidan que se abra el distribuidor.
- Asegúrese de que la canastilla superior está firmemente instalada en la boquilla en la parte trasera de la tina antes de cerrar la puerta.

## EL LAVAVAJILLAS TIENE ESCAPE

- Use solamente detergente fresco formulado para lavavajillas automáticos. Mida el detergente cuidadosamente. Pruebe una marca diferente.
- El agente de enjuague derramado puede producir espuma y causar sobrellenado. Limpie los derrames con un paño húmedo.
- Verifique si el lavavajillas está nivelado. (Ver Instrucciones de Instalación).

## SONIDOS NORMALES QUE USTED ESCUCHARA

- Los sonidos normales incluyen llenado del agua, circulación del agua y sonidos del motor.
- La pulsación de la bomba puede causar que la velocidad del motor aumente y disminuya a intervalos regulares durante los ciclos.

## AGUA EN EL FONDO DE LA TINA

- No es normal que quede agua en el fondo de la tina al final de un ciclo. Si el agua permanece en el fondo de la tina al final del ciclo, el lavavajillas puede que no esté desaguando en forma debida. (Ver El Lavavajillas no Desagua Bien, página 46.) El filtro también puede necesitar limpieza. (Ver Cuidado del Filtro, página 40.) *Nota: Es normal ver una pequeña cantidad de agua debajo del filtro al final de un ciclo.*

## EL LAVAVAJILLAS NO SE LLENA

- Verifique si el suministro de agua está abierto.
- Agregue ½ taza de agua en el fondo del lavavajillas y ponga en marcha nuevamente.

## EL LAVAVAJILLAS NO FUNCIONA

- Verifique si el disyuntor está disparado o si hay un fusible fundido.
- Asegúrese de que el suministro del agua está abierto.
- Verifique si el ciclo está programado correctamente. (Ver Instrucciones de Funcionamiento, páginas 27-31.)
- Verifique si la opción 'DELAY START' ha sido seleccionada.
- Asegúrese de que la puerta esté cerrada y con seguro.

## EL LAVAVAJILLAS TIENE UN OLOR

- Los platos sucios dejados en el lavavajillas por mucho tiempo pueden crear un olor. Use el ciclo de enjuague.
- Tendrá olor a "nuevo" cuando recién se instale. Esto es normal.
- Verifique si el lavavajillas está desaguando en forma debida. (Ver El Lavavajillas No Desagua Bien).

## EL LAVAVAJILLAS NO DESAGUA BIEN

- Si el lavavajillas está conectado a un triturador de desperdicios, asegúrese de que el triturador esté vacío.
- Si el lavavajillas está conectado a un triturador de desperdicios de comidas recién instalado, verifique si se ha quitado el tapón removible dentro de la admisión del triturador.
- Verifique si la manguera de desagüe está torcida.
- Asegúrese de que el ciclo se ha completado y no está en una pausa.

## EL CICLO DEMORA DEMASIADO TIEMPO

- Verifique si el ciclo está en un retraso de calentamiento de agua.
- Verifique si la opción de comienzo diferido ha sido seleccionada.
- Verifique si se seleccionó la opción de esterilización.



## PARA QUITAR PELICULAS Y MANCHAS

El agua dura puede causar acumulación de depósitos de cal en el interior del lavavajillas. Los platos y vasos pueden también quedar con películas y manchas por un número de razones. (Ver Cuchillería o Artículos de Vidrio Manchados u Opacos, página 43).

### Para quitar las manchas y películas, limpie usando las siguientes instrucciones:

- 1 Cargue los platos y vasos limpios de manera normal. No cargue utensilios de metal o cuchillería.
- 2 No agregue detergente.
- 3 Seleccione el ciclo 'NORMAL WASH'. Oprima la tecla 'START/CANCEL' y cierre la puerta.
- 4 Deje que el lavavajillas funcione hasta que comience el segundo llenado. Abra la puerta y agregue dos tazas de vinagre blanco en el fondo del lavavajillas.
- 5 Cierre la puerta con seguro y espere hasta que el ciclo termine.



### NOTA

Si no se soluciona el problema, puede ser necesario usar un suavizador de agua.

## CODIGOS DE ERROR

En algunas situaciones que son cruciales para el funcionamiento de la máquina y la seguridad de su operación.

- Error 01  
Detector de fugas: Cuando se detecta agua bajo la tina.
- Error 02  
Thermistor - Cuando falla el módulo de termistor/turbiedad.
- Error 03  
Bomba de agua - está averiada
- Error 04  
Regulador de secado - está averiada
- Error 05  
Ventilador superior - en el ciclo de secado, el panel de control no recibe la información adecuada de velocidad del ventilador superior.
- Error 06  
Ventilador inferior - en el ciclo de secado, el panel de control no recibe la información adecuada de velocidad del ventilador inferior
- Error 07  
Válvula de desagüe - en el modo de desagüe, el panel de control no recibe la información adecuada de posición de la válvula de desagüe
- Error 08  
Interrupto táctil - el panel de control ha detectado que un interruptor de la interfaz del usuario ha tenido una avería o un cortocircuito
- Error 09  
Comunicaciones - falla de comunicación entre el panel principal del usuario y el panel de suministro eléctrico.
- Error 10  
Relé de alimentación principal - ha tenido una falla
- Error 11  
Válvula de desagüe - se agotó el tiempo antes de detectar el estado de esta válvula
- Error 12  
Válvula de desagüe - desconexión por análisis FMEA, esta válvula funciona cuando no debe, posiblemente por cortocircuito de algún componente
- Error 13  
En todo el sistema - pérdida del control del estado de la máquina

Su electrodoméstico está cubierto por una garantía limitada de un año. Durante un año a partir de la fecha original de compra, Electrolux se hace responsable de la reparación o el reemplazo de cualquier pieza de este electrodoméstico que se encuentre defectuosa en materiales o mano de obra, siempre que el electrodoméstico se instale, utilice y mantenga de acuerdo con las instrucciones proporcionadas. La cuba (tina) de acero inoxidable y el revestimiento de la puerta del electrodoméstico están cubiertos por una garantía limitada de por vida. Durante el período de garantía de por vida del electrodoméstico, Electrolux se hace responsable del reemplazo de la cuba (tina) de acero inoxidable o el revestimiento de la puerta en caso de falla al contener el agua debido a defectos de materiales o mano de obra, siempre que el electrodoméstico se instale, utilice y mantenga de acuerdo con las instrucciones proporcionadas. Además, las rejillas del lavavajillas y el módulo de control electrónico del electrodoméstico están cubiertos por una garantía limitada de dos a cinco años. Es decir, durante el segundo y hasta el quinto año a partir de la fecha original de compra, Electrolux se hace responsable del reemplazo de las rejillas del lavavajillas y el módulo de control electrónico del electrodoméstico que se encuentren defectuosos en materiales o mano de obra, siempre que el electrodoméstico se instale, utilice y mantenga de acuerdo con las instrucciones proporcionadas.

## Exclusiones

Esta garantía no cubre lo siguiente:

1. Productos cuyos números de serie originales hayan sido quitados, alterados o no puedan determinarse con facilidad.
2. Productos que hayan sido transferidos del dueño original a un tercero o que no se encuentren en los EE.UU. o en Canadá.
3. Óxido en el interior o exterior de la unidad.
4. Los productos comprados "como están" no están cubiertos por esta garantía.
5. Pérdida de alimentos por fallas del refrigerador o congelador.
6. Productos utilizados para fines comerciales.
7. Las llamadas de servicio técnico que no involucren un mal funcionamiento o defectos de materiales o de mano de obra, o para electrodomésticos que no sean utilizados para uso doméstico normal o de acuerdo con las instrucciones proporcionadas.
8. Llamadas de servicio técnico para corregir errores de instalación del electrodoméstico o para obtener instrucciones sobre el uso del mismo.
9. Los gastos necesarios para hacer accesible el electrodoméstico a fin de repararlo, como por ejemplo la extracción de adornos, alacenas, estanterías, etc., que no formaban parte del electrodoméstico en el momento en que salió de la fábrica.
10. Llamadas de servicio técnico para reparar o reemplazar bombillas, filtros de aire, filtros de agua, otros consumibles, perillas, manijas u otras piezas decorativas.
11. Costos de mano de obra o de servicio técnico a domicilio durante los períodos adicionales de garantía limitada después del primer año de la fecha original de compra.
12. Costos de recogida y entrega del electrodoméstico (el electrodoméstico está diseñado para ser reparado en el lugar/vivienda en el que está instalado).
13. Costos adicionales que incluyen, sin limitación, cualquier llamada de servicio técnico fuera de las horas de oficina, durante los fines de semana o días feriados, peajes, tarifas de transporte o gastos de traslado para atender llamadas de servicio técnico en áreas remotas, incluyendo el estado de Alaska.
14. Daños al acabado del electrodoméstico o a la vivienda que hayan ocurrido durante la instalación, incluyendo, sin limitación, los armarios, paredes, etc.
15. Daños causados por: servicio técnico realizado por compañías de servicio técnico no autorizadas, el uso de piezas que no sean piezas genuinas Electrolux o piezas obtenidas de personas que no pertenezcan a compañías de servicio técnico autorizado, o causas externas como abuso, mal uso, suministro eléctrico inadecuado, accidentes, incendios o hechos fortuitos.

## RENUNCIA DE RESPONSABILIDAD DE GARANTÍAS IMPLÍCITAS; LIMITACIÓN DE ACCIONES LEGALES

LA ÚNICA Y EXCLUSIVA OPCIÓN DEL CLIENTE BAJO ESTA GARANTÍA LIMITADA ES LA REPARACIÓN O EL REEMPLAZO DEL PRODUCTO SEGÚN SE INDICA. **LOS RECLAMOS BASADOS EN GARANTÍAS IMPLÍCITAS, INCLUYENDO LAS GARANTÍAS DE COMERCIALIZACIÓN O IDONEIDAD DEL PRODUCTO PARA UN PROPÓSITO ESPECÍFICO, ESTÁN LIMITADOS A UN AÑO O AL PERÍODO MÍNIMO PERMITIDO POR LEY, PERO NUNCA MENOS DE UN AÑO.** ELECTROLUX NO SERÁ RESPONSABLE POR DAÑOS CONSECUENTES O INCIDENTALES COMO, POR EJEMPLO, DAÑOS A LA PROPIEDAD Y GASTOS INCIDENTALES OCASIONADOS POR EL INCUMPLIMIENTO DE ESTA GARANTÍA ESCRITA O DE CUALQUIER GARANTÍA IMPLÍCITA. ALGUNOS ESTADOS Y PROVINCIAS NO PERMITEN LA EXCLUSIÓN O LIMITACIÓN DE DAÑOS INCIDENTALES O CONSECUENTES O LIMITACIONES EN LA DURACIÓN DE LAS GARANTÍAS IMPLÍCITAS, DE MANERA QUE PUEDE QUE ESTAS LIMITACIONES O EXCLUSIONES NO SE APLIQUEN EN SU CASO. ESTA GARANTÍA ESCRITA LE OTORGA DERECHOS LEGALES ESPECÍFICOS. ES POSIBLE QUE TAMBIÉN TENGA OTROS DERECHOS QUE VARÍAN DE UN ESTADO A OTRO.

## Si tiene que solicitar servicio técnico

Guarde su recibo, la boleta de entrega o cualquier otro registro de pago adecuado para establecer el período de la garantía si llegara a requerir servicio técnico. Si se realiza una reparación, es conveniente obtener y conservar todos los recibos de dicho servicio. El servicio técnico realizado bajo esta garantía debe ser obtenido a través de Electrolux utilizando las direcciones o números que se indican abajo.

Esta garantía sólo se aplica en los Estados Unidos, Puerto Rico y Canadá. En los EE. UU. y Puerto Rico, su electrodoméstico está garantizado por Electrolux Major Appliances North America, una división de Electrolux Home Products, Inc. En Canadá, su electrodoméstico está garantizado por Electrolux Canada Corp. Electrolux no autoriza a ninguna persona para que cambie ninguna de nuestras obligaciones bajo esta garantía ni tampoco agregue ninguna otra. Nuestras obligaciones de reparación y piezas bajo esta garantía deben ser realizadas por Electrolux o una compañía de servicio técnico autorizado. Las características o especificaciones descritas o ilustradas están sujetas a cambios sin previo aviso.

## EE. UU.

1-877-435-3287

Electrolux Major Appliances North America

P.O. Box 212378

Augusta, GA 30907

## Canadá

1-800-265-8352

Electrolux Canada Corp.

5855 Terry Fox Way

Mississauga, Ontario, Canadá L5V 3E4

## TABLE DES MATIÈRES

### Pour trouver les informations ..... 48

- Notez ces informations
  - pour une utilisation ultérieure ..... 48
- Questions? ..... 49
- Internet ..... 49

### Sécurité ..... 49

- Conseils de sécurité importants ..... 49

### Résumé des caractéristiques ..... 51

- Comment votre lave-vaisselle nettoie-t-il? 51

### Instructions d'utilisation ..... 52

- Pour commencer ..... 52
- Bruits normaux de fonctionnement ..... 52
- Sélection du cycle de lavage ..... 52
- Sélection du cycle ..... 53
- Sélection des options d'énergie ..... 54
- Sélection de la fonction ..... 55
- Fenêtre d'indication d'état ..... 55

### Préparation et chargement de la vaisselle 56

- Préparation de la vaisselle ..... 57
- Chargement du panier supérieur ..... 57
- Chargement du panier inférieur ..... 57
- Réglage de la hauteur du panier ..... 58
- Chargement du panier à couverts ..... 58
- Pour ajouter de la vaisselle ..... 59

### Distributeurs du lave-vaisselle

- et détergents ..... 60**
- Remplissage du distributeur à détergent .. 60
- Quantité de détergent à utiliser ..... 60
- Guide d'utilisation des détergents ..... 61
- Produit de rinçage ..... 62

### Facteurs affectant les performances ..... 62

- Pression de l'eau ..... 63
- Température de l'eau ..... 63

### Entretien et nettoyage ..... 64

- Extérieur ..... 64
- Intérieur ..... 64
- Préparation pour l'hiver ..... 65

### Solutions aux problèmes simples ..... 66

- Nourriture restant sur la vaisselle ..... 66
- La vaisselle n'est pas sèche ..... 66
- Attaque de surface ..... 66
- Les verres et les couverts comportent
  - des taches ou sont recouverts
  - d'un film blanchâtre ..... 67

- La vaisselle est ébréchée ..... 67
- Bruits normaux que vous entendrez ..... 67
- La vaisselle est tachée ou décolorée ..... 68
- Du détergent reste dans le godet ..... 68
- De l'eau reste dans le fond de la cuve ..... 68
- Le lave-vaisselle fuit ..... 69
- Le lave-vaisselle ne fonctionne pas ..... 69
- Le lave-vaisselle ne se
  - vide pas correctement ..... 69
- Le cycle prend trop de temps ..... 69
- Le lave-vaisselle ne se remplit pas ..... 70
- Le lave-vaisselle a une odeur ..... 70
- Pour enlever les taches et les films ..... 70

### Renseignements sur la garantie ..... 71

### Version espagnole ..... 31

### Version anglaise ..... 3

## LIRE ET VEUILLEZ SAUVER CE GUIDE

Que toi pour choisir Electrolux, la nouvelle marque de la meilleure qualité dans des appareils ménagers. Ce & d'utilisation; Le guide de soin fait partie de notre engagement à la satisfaction du client et de qualité du produit durant toute la durée de vie de votre nouvel appareil.

Nous regardons votre achat comme commencement d'un rapport. Pour assurer notre capacité de continuer de vous servir, employez svp cette page pour enregistrer l'information sur le produit importante.

Date d'achat

Numéro de modèle

Numéro de série



## QUESTIONS?

1-877-4Electrolux (États-Unis et Canada)

## INTERNET

Pour obtenir une aide en ligne et des informations sur le produit, veuillez consulter le site [www.electroluxappliances.com](http://www.electroluxappliances.com) aux É.-U. ou [www.electroluxca.com](http://www.electroluxca.com) au Canada.



### REMARQUE

L'enregistrement de votre produit avec Electrolux augmente notre capacité de vous servir. Vous pouvez vous enregistrer en ligne chez [www.electroluxappliances.com](http://www.electroluxappliances.com) ou en laissant tomber votre carte d'enregistrement de produit dans le courrier.



### ATTENTION

Ce symbole vous avertit de certains dangers tels que blessures, brûlures, incendie, et électrocution.



### ATTENTION

Pour réduire les risques d'incendie, d'électrocution ou de blessure lorsque vous utilisez votre lave-vaisselle, suivez les précautions élémentaires suivantes:

## CONSEILS DE SÉCURITÉ IMPORTANTS

Veuillez lire tous ces conseils de sécurité avant d'utiliser votre nouveau lave-vaisselle Electrolux.

- Lisez toutes les instructions avant d'utiliser votre lave-vaisselle.
- N'utilisez votre lave-vaisselle qu'en suivant les instructions contenues dans ce Guide d'utilisation et d'entretien.
- Ce manuel ne couvre pas toutes les situations possibles qui pourraient se produire. Utilisez votre bon sens et prenez des précautions lors de l'installation, de l'utilisation et de l'entretien d'un appareil ménager.
- La « National Sanitation Foundation » (NSF) certifie que les lave-vaisselle pour usage domestique ne sont pas conçus pour les établissements licenciés de restauration. Ces établissements doivent utiliser des lave-vaisselle ayant une température d'eau plus élevée pour satisfaire aux exigences de désinfection.
- **CE LAVE-VAISSELLE DOIT ÊTRE RACCORDÉ ÉLECTRIQUEMENT À LA TERRE.** Lisez les Instructions d'installation pour les détails.
- Ce lave-vaisselle est conçu pour fonctionner avec une alimentation électrique domestique normale (120 V, 60 Hz). Utilisez un circuit équipé d'un fusible ou d'un disjoncteur de 15 ampères. Utilisez un circuit comportant un fusible de 20 ampères si le lave-vaisselle est raccordé à un broyeur à déchets.
- Ne faites pas fonctionner le lave-vaisselle si tous les panneaux extérieurs ne sont pas à leur place, comme il est expliqué dans les Instructions d'installation fournies avec votre lave-vaisselle.
- Pour éviter que personne ne reste enfermé et n'étouffe, retirez la porte du compartiment de lavage quand cet ancien lave-vaisselle est mis hors service ou au rebut.
- Ne permettez pas aux jeunes enfants et aux bébés d'approcher trop près du lave-vaisselle lorsqu'il est en fonctionnement.
- N'utilisez que des détergents et des produits de rinçage recommandés pour une utilisation dans un lave-vaisselle.
- Ne maltraitez pas, ne vous asseyez pas ou ne montez pas sur la porte ou le panier du lave-vaisselle.

- Rangez le détergent et le produit de rinçage pour le lave-vaisselle hors de portée des enfants.
- Ne lavez pas dans le lave-vaisselle les articles en plastique sauf s'ils sont prévus à cet effet. Vérifiez les recommandations du fabricant s'ils ne comportent pas de marque spécifique. Les articles qui ne sont pas prévus pour être lavés au lave-vaisselle peuvent fondre et créer un danger d'incendie.
- Si le lave-vaisselle s'évacue dans un broyeur à déchets, assurez-vous que celui-ci soit complètement vide avant de faire fonctionner le lave-vaisselle.
- Coupez le courant d'alimentation du lave-vaisselle avant tout dépannage.
- Les réparations doivent être effectuées par un technicien Electrolux qualifié.
- Ne modifiez pas les commandes.
- Faites attention en enlevant la vaisselle lorsque l'option de DÉSINFECTION a été sélectionnée. Juste après la fin du cycle, la vaisselle peut être très chaude au toucher.
- Lors du chargement de la vaisselle à laver :
  - Mettez les articles pointus et les couteaux de manière à ce qu'ils ne puissent pas endommager la cuve ou son joint
  - Mettez les articles pointus et les couteaux la pointe en bas pour réduire le risque de blessure par coupure. Vous pouvez aussi placer les articles pointus et les couteaux sur l'étagère à ustensiles de cuisine située dans le panier supérieur.
- Dans certaines conditions, de l'hydrogène peut être libéré par un système d'eau chaude qui n'a pas été utilisé pendant 2 semaines ou plus. L'HYDROGÈNE EST UN GAZ EXPLOSIF. Si le système d'eau chaude n'a pas été utilisé pendant cette période, avant d'utiliser le lave-vaisselle, ouvrez tous les robinets d'eau chaude et laissez l'eau couler pendant plusieurs minutes. Ceci permettra à l'hydrogène accumulé de s'échapper. L'HYDROGÈNE EST UN GAZ INFLAMMABLE. Ne fumez pas et n'utilisez pas une flamme nue à ce moment là.
- Ne rangez pas ou n'utilisez pas de matériaux combustibles, d'essence ou d'autres gaz ou liquides inflammables à proximité de cet appareil ou de tout autre appareil ménager.

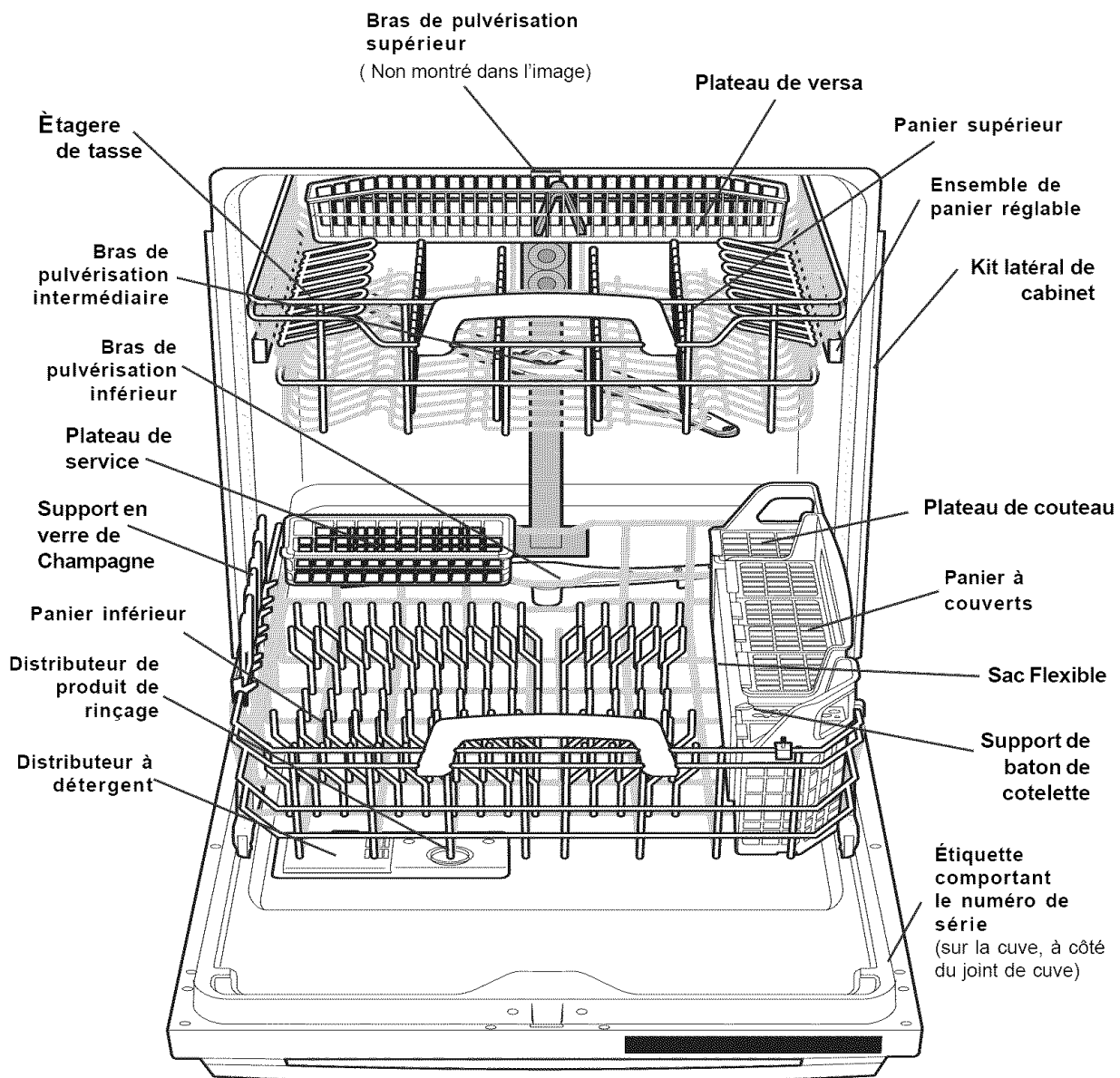
**REMARQUE**

**CONSERVEZ CES INSTRUCTIONS DE SÉCURITÉ IMPORTANTES POUR LES CONSULTER ULTÉRIEUREMENT.**

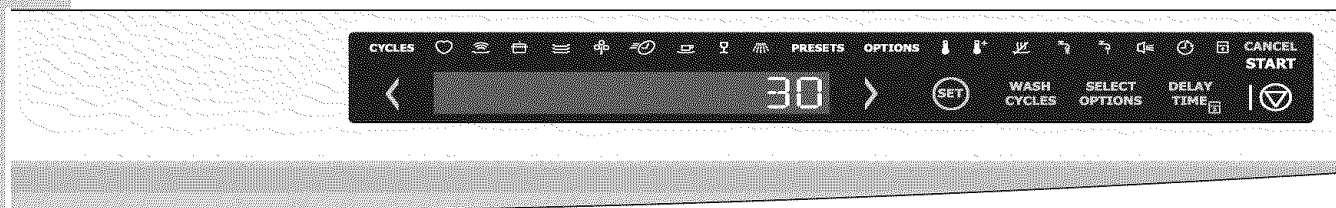
## COMMENT VOTRE LAVE-VAISSELLE NETTOIE-T-IL?

Votre lave-vaisselle nettoie la vaisselle en pulvérisant un mélange d'eau chaude et de détergent sur les surfaces sales par l'intermédiaire des bras de pulvérisation. Chaque cycle commence par une vidange préalable.

Le lave-vaisselle se remplit d'eau pour recouvrir la zone du filtre. L'eau est alors pompée à travers le filtre dans les bras de pulvérisation. Les particules de saleté sont évacuées lorsque l'eau est vidangée et remplacée par de l'eau propre. Le nombre de remplissages dépend du cycle utilisé.



## POUR COMMENCER



icône Réglée de presse et de prise pendant 5 secondes avant première utilisation.

Pour faire fonctionner votre lave-vaisselle, suivez ces étapes de base :

- 1 Chargez la vaisselle. (Voir Préparation et chargement de la vaisselle, pages 56 et 59.)
- 2 Ajoutez le détergent. (Voir Distributeurs du lave-vaisselle et détergents, pages 60 et 61.)
- 3 Ajoutez du produit de rinçage si nécessaire. (Voir Produit de rinçage, page 62.)
- 4 Sélectionnez le CYCLE désiré. (Voir Sélection des cycles, page 53.)  
La lumière entourant le bouton s'allume pour indiquer la sélection.
- 5 Sélectionnez les OPTIONS désirées. (Voir Sélection de l'option d'énergie, page 54.)  
La lumière entourant le bouton s'allume pour indiquer la sélection.
- 6 Pour mettre en marche, appuyez sur le bouton MARCHE/ANNULATION et fermez la porte. (Voir Marche/Annulation, page 55.)

## BRUITS NORMAUX DE FONCTIONNEMENT

Votre lave-vaisselle utilise des moteurs à haut rendement pour le lavage et la vidange du cycle sélectionné. Chaque cycle présente une série de remplissages d'eau et de vidanges pour le lavage et le rinçage de la vaisselle. Au début de chaque cycle, vous pouvez éventuellement entendre le moteur de vidange. Vous pouvez également entendre l'éclaboussement de l'eau lorsqu'elle entre dans la cuve et lorsque les bras tournent et font circuler l'eau. Le moteur de lavage émet souvent des pulsations pendant le cycle, ce qui fait varier la pression de l'eau et optimise les performances.

## SÉLECTION DU CYCLE DE LAVAGE








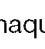


Les temps des cycles sont approximatifs et varient en fonction de l'option sélectionnée. Il est nécessaire que l'eau soit chaude pour activer le détergent de lave-vaisselle et faire fondre les graisses.

Un capteur automatique vérifie la température de l'eau d'alimentation pour le lavage principal de chaque cycle, augmentant la temporisation si nécessaire, jusqu'à ce que l'eau soit suffisamment chaude. Lorsque le LAVAGE À HAUTE TEMPÉRATURE est sélectionné, le capteur s'assure que la température de l'eau est encore plus élevée.

## SÉLECTION DU CYCLE

Le capteur intelligent vérifie le niveau de saleté de votre vaisselle pour les cycles Auto, Sale, Normal et Court. En fonction du niveau de saleté, le capteur détermine si des remplissages d'eau supplémentaires sont nécessaires pour nettoyer la vaisselle ou si certains remplissages sont inutiles. Le temps du cycle et l'utilisation d'eau varient donc en fonction du degré de saleté de la vaisselle. Le temps du cycle varie également en fonction des options sélectionnées et de la température de l'eau d'alimentation.

## POUR SÉLECTIONNER LE CYCLE NORMAL

Appuyez sur  ou  jusqu'à ce que l'icône du cycle  s'affiche. Appuyez sur la touche  et sur  ou  jusqu'à ce que les options de cycle désirées s'affichent. Lorsque l'option que vous désirez apparaît sur l'affichage, appuyez sur . Pour poursuivre la sélection des options de cycle que vous désirez, appuyez sur , puis sur  pour chaque option de cycle supplémentaire désirée. Lorsque vous aurez terminé de sélectionner toutes les options de cycle désirées, appuyez sur la touche , puis fermez la porte.

### 'My Favorite'



Ce cycle vous permet de programmer vos options et votre cycle préférés en un seul bouton. Pour programmer le cycle Favorite: Commencez par appuyer sur l'icône Set jusqu'à ce que le message «Welcome» apparaisse sur l'affichage. Ceci vous donnera accès à la sélection de votre cycle. Après avoir appuyé sur l'icône Set, faites défiler les différents cycles à l'aide des flèches jusqu'à ce que vous arriviez à «Favorite Cycle». Ensuite, appuyez sur l'icône Set, ce qui vous permettra de choisir le cycle et les options que vous désirez. Après avoir choisi le cycle que vous désirez, appuyez sur l'icône «Select Options» et faites défiler les différentes options à l'aide des flèches pour sélectionner celles que vous désirez. Toutes les options sont désactivées jusqu'à ce que vous appuyiez sur l'icône Set pour les activer. Lorsque vous avez choisi vos options, appuyez sur l'icône «Wash Cycle» puis sur l'icône Set suivie de Start. Le message «Saved» apparaîtra sur l'affichage. Une fois votre cycle préféré programmé, il vous suffit d'appuyer sur l'icône «Favorite Cycle» suivie du bouton «Start/Cancel» pour le faire commencer.

### 'Normal Wash'



Pour la vaisselle et les couverts normalement sales. L'utilisation d'eau approximatif 4,38 et 9,45 gallons. Le temps de lavage approximatif 91 et 144 heures.

### 'Auto Wash'



Lorsque le lave-vaisselle est partiellement rempli de vaisselle légèrement sale, un cycle de lavage similaire à un lavage court sera effectué automatiquement. Lorsque le lave-vaisselle est complètement rempli de vaisselle très sale, un cycle de lavage similaire à un lavage pour vaisselle sale sera effectué automatiquement. La technologie de capteur intelligent du lave-vaisselle détermine le type de cycle nécessaire pour nettoyer la vaisselle et nettoie plus efficacement chaque fois. L'utilisation d'eau approximatif 5,5 et 10,8 gallons. Le temps de lavage approximatif 99 et 162 heures.

### 'Eco Wash'



Pour la vaisselle et les couverts légèrement sales ou préalablement rincés. L'utilisation d'eau approximatif 5,7 et 6,8 gallons. Le temps de lavage approximatif 78 et 80 heures.

### 'Heavy Wash'



Pour les marmites, les casseroles, les sauteuses et les assiettes comportant des aliments secs ou attachés. L'utilisation d'eau approximatif 9,5 gallons. Le temps de lavage approximatif 130 et 149 heures.

### 'Delicate'



Pour rincer la vaisselle qui sera lavée plus tard. L'utilisation d'eau approximatif 6,9 et 8,2 gallons. Le temps du lavage approximatif 91 et 106 minutes.

### 'Quick Wash'



Pour la vaisselle et les couverts légèrement sales ou préalablement rincés. L'utilisation d'eau approximatif 6,9 gallons. Le temps de lavage approximatif 45 et heures.

### 'Stemware'



Pour rincer la vaisselle qui sera lavée plus tard. L'utilisation d'eau approximatif 6,8 gallons. Le temps du cycle approximatif 85 et 92 minutes.

### 'Rinse Only'



Pour rincer la vaisselle qui sera lavée plus tard. L'utilisation d'eau approximatif 2,4 gallons. Le temps du cycle approximatif 20 minutes.

## SÉLECTION DES OPTIONS D'ÉNERGIE

### Lavage à haute température

Lorsque l'option LAVAGE À HAUTE TEMPÉRATURE est sélectionnée, le lave-vaisselle chauffe l'eau du lavage principal à environ 140°F (60°C).

Cette augmentation de la température de l'eau aide le détergent de lave-vaisselle à enlever les aliments, la graisse et les saletés de la vaisselle plus efficacement et aide également au séchage. L'option de LAVAGE À HAUTE TEMPÉRATURE peut être utilisée avec tous les cycles, sauf le cycle de RINÇAGE.

Lorsque l'option LAVAGE À HAUTE TEMPÉRATURE est sélectionnée, la lumière entourant le bouton s'allume et reste allumée jusqu'à la fin du cycle.

Pour arrêter l'option LAVAGE À HAUTE TEMPÉRATURE, appuyez une deuxième fois sur le bouton. La lumière entourant le bouton s'éteindra.

### Signal

Certains modèles sont équipés d'un signal qui s'active lorsque vous appuyez sur un cycle ou sélectionné une option. Ce signal vous avertit également que le cycle sélectionné est terminé.

Pour ajuster le volume presser le touchpad SELECT OPTION. Basculer alors using le > des VOLUME SETTINGS unitaire de touchpad est montrés.

Presser le touchpad SET et puis basculer using le < ou > l'utilité de touchpads qu'il a désiré le volume est atteint. Presser le touchpad SET pour sauver votre choix.

### Presion de la colada « Wash Pressure»

La opción "WASH PRESSURE" le permite elegir La opción de la presión de lavado deseada, según la carga de vajilla. Cuando se selecciona HIGH WASH PRESSURE la presión de lavado aumenta un brindar una limpieza más rápida y efectiva. Cuando se selecciona LOW WASH PRESSURE la presión de lavado disminuye un para limpiar platos delicados sin dañarlos. Quand de "AIR DRY" est choisi, la chaleur sèche ne sera pas activée ceci épargnera l'énergie et le temps.

## REMARQUE

L'ouverture de la porte pendant le fonctionnement normal n'effectuera qu'une pause du cycle sélectionné.

## Désinfection

Pour désinfecter votre vaisselle et vos verres, sélectionnez l'option DÉSINFECTION. Lorsque vous sélectionnez cette option, la lumière entourant le bouton s'allume et reste allumée jusqu'à ce que le bouton MARCHE/ANNULATION soit appuyé ou que la porte soit fermée. Cette option chauffe l'eau à une température de 155°F (68°C) pendant le rinçage final et maintient cette température pendant 9 minutes. La DÉSINFECTION est possible pour les cycles de lavage automatique, de vaisselle sale, de lavage normal et de lavage court. Ces cycles de désinfection ont été conçus pour répondre aux exigences de la NSF.

*Le temps de cycle sera allongé jusqu'à ce que la température d'eau appropriée soit atteinte.* L'action de lavage continuera pendant l'attente pour le chauffage de l'eau. Pour de meilleurs résultats, la température de l'eau d'alimentation doit être au moins à 120°F (49°C).

La lumière entourant le bouton ne s'allumera pas en fin de cycle si les exigences de la NSF pour la désinfection ne sont pas atteintes. Les critères de désinfection peuvent ne pas être satisfaits s'il y a eu une interruption du cycle, s'il y a eu une coupure de courant ou si la température de l'eau d'alimentation est inférieure à 120°F (49°C).

Pour arrêter l'option DÉSINFECTION, appuyez une deuxième fois sur le bouton. La lumière entourant le bouton s'éteindra.

## Marche/Annulation

Pour démarrer un cycle, appuyez une fois sur le bouton MARCHE/ANNULATION et fermez la porte.

Pour annuler le cycle en cours, ouvrez la porte et appuyez une fois sur le bouton MARCHE/ANNULATION. Refermez la porte et le lave-vaisselle se vidangera et s'arrêtera.

## Lumière Bleue

Si BLEU Luminates LÉGER sur le plancher ceci indique que le cycle de lavage est accompli.

## SÉLECTION DE LA FONCTION

### Démarrage retardé

L'option de DÉMARRAGE RETARDÉ vous permet de retarder automatiquement le démarrage du lave-vaisselle de 30 minutes à 24 heures.

Appuyez sur le bouton DÉMARRAGE RETARDÉ jusqu'à ce que le temps de retard désiré soit affiché dans la fenêtre d'indication d'état. Une lumière s'allumera indiquant le nombre d'heures de retard programmé et elle restera allumée jusqu'à ce que le cycle démarre.

Pour annuler l'option de DÉMARRAGE RETARDÉ et commencer le cycle avant la fin de la période d'attente programmée, appuyez sur le bouton MARCHE/ANNULATION.

### Verrou de sécurité pour éviter que les enfants changent les réglages

Pour éviter que les enfants ne changent accidentellement le réglage ou la mise en marche du lave-vaisselle, verrouillez les commandes du lave-vaisselle en appuyant momentanément sur la touche DELAY TIME pendant 3 secondes alors que la porte est verrouillée. Un témoin lumineux sur la touche avec cadenas s'allume quand les commandes sont verrouillées; aucune nouvelle sélection ne peut être faite sans déverrouillage préalable. Pour déverrouiller les commandes, appuyez sur la touche DELAY TIME jusqu'à l'extinction du témoin lumineux.

### Indications des Erreurs

Dans certaines situations qui sont critiques à la fonction de machine et à l'exploitation s<sup>^</sup>re, la commande arrêtera et indiquera un code d'erreur 'Er'. Sur des unités sans affichage, tous les voyants de signalisation clignoteront. (Voir Codes D'Erreur, pages 70.)

Si un de ces codes sont contact montré le contre de soin de client d'Electrolux à **1-877-435-3287**. Ils pourront fournir l'assistanc en dépannant le problème et/ou en localisant un service autorisé technigian si nécessaires.

## FENÊTRE D'INDICATION D'ÉTAT

La FENÊTRE D'INDICATION D'ÉTAT affiche les codes qui sont normalement vus pendant le fonctionnement normal ou la programmation du lave-vaisselle. La fenêtre n'affichera rien lorsque la porte est fermée. La FENÊTRE D'INDICATION D'ÉTAT affiche les activités suivantes:

<b>30 MIN-24 HRS</b>	Indique le nombre d'heures de retard de mise en marche pour le cycle sélectionné.
<b>CLOSE DOOR</b>	Cignote une fois le programme entré et le bouton MARCHE/ANNULATION appuyé. Clignote également si la porte est ouverte pendant un cycle de lavage. Fermez la porte du lave-vaisselle pour commencer ou continuer le cycle de lavage.
<b>WELCOME</b>	Apparaît dans la fenêtre lorsque le lave-vaisselle vient d'être installé pour la première fois ou lorsqu'il y a eu une coupure de courant.

### Éteindre l'affichage

La fonction de «disable the display» peut être utilisée durant le sabbat et les fêtes juives. Le lave-vaisselle peut alors servir d'espace de rangement pendant ces périodes.

Lorsque l'affichage est désactivé de façon appropriée, le lave-vaisselle ne produit aucun signal sonore et n'indique aucun message.

Vous pouvez régler l'appareil pour qu'il commence un programme de lavage. Pour ce faire, appuyez sur «Start», «disable the display» et fermez la porte du lave-vaisselle. Après la fin du programme de lavage, le témoin lumineux servant à indiquer qu la vaisselle est propre demeure allumé même si vous ouvrez ou fermez la porte durant cette période. Le témoin lumineux s'éteindra automatiquement 2 heures après la fin du programme de lavage.

Vous pouvez aussi désactiver l'affichage sans avoir à régler un programme de lavage.

Pour désactiver l'affichage, appuyez sur la flèche gauche et tenez-la enfoncée pendant 10 secondes. Pour réactiver l'affichage, appuyez sur la flèche gauche et tenez-la enfoncée pendant 10 secondes.

## PRÉPARATION DE LA VAISSELLE

Enlevez les gros morceaux de nourriture, les os, les noyaux, les cure-dents, etc. Le système de lavage enlèvera les particules d'aliments restantes. Grattez doucement les aliments brûlés avec un ustensile ne rayant pas ou faites tremper le plat avant de le laver (Voir Figure 1). Videz les liquides des verres et des tasses.

Les aliments contenant des huiles végétales et/ou des additifs chimiques tels que la moutarde, la mayonnaise, le vinaigre, le jus de citron ou des produits à base de tomates, peuvent provoquer une décoloration de l'acier inox et des plastiques s'ils restent en contact pendant longtemps avec ces objets. Sauf si le lave-vaisselle doit être mis en marche immédiatement, il est conseillé de rincer ce genre de résidus alimentaires.

- Chargez les paniers de façon à ce que les gros objets n'empêchent pas le distributeur de détergent de s'ouvrir.
- Vérifiez les recommandations du fabricant avant de laver des objets dont on n'est pas sûr.
- Si le lave-vaisselle se vidange dans un broyeur à déchets, **assurez-vous que le broyeur à déchets est complètement vide avant de mettre en marche le lave-vaisselle.**

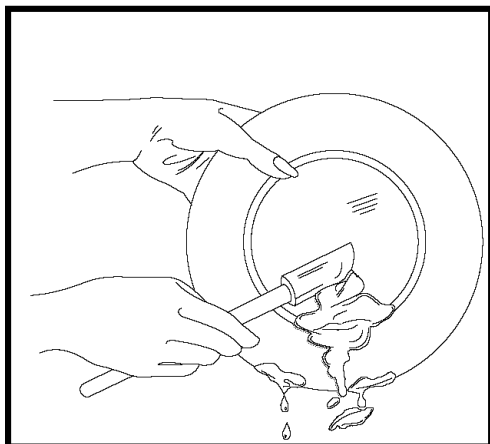
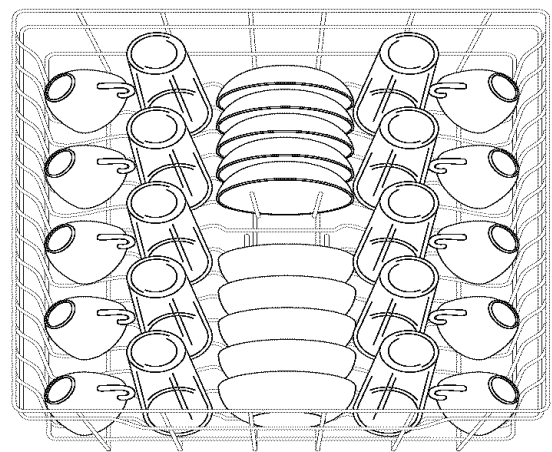


Figure 1

## CHARGEMENT DU PANIER SUPÉRIEUR

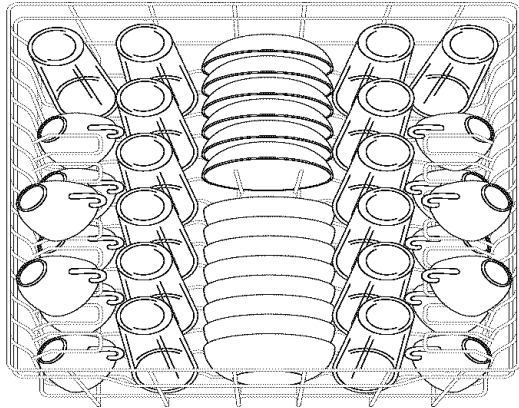
Le panier supérieur est conçu pour pouvoir disposer à votre guise de nombreux objets, y compris les tasses, les verres, les verres à pied, les petites assiettes, les bols, etc.

- Disposez les verres dans le panier supérieur. Ils peuvent être endommagés s'ils sont placés dans le panier inférieur.
- Placez les objets avec l'ouverture vers le bas pour qu'ils soient mieux nettoyés et qu'ils s'égouttent bien.
- Les objets délicats peuvent être endommagés s'ils se touchent pendant le fonctionnement du lave-vaisselle.
- Les couteaux à manche long et les ustensiles de cuisine peuvent être placés sur l'étagère à ustensiles du panier supérieur.
- Assurez-vous que rien ne dépasse en dessous du panier supérieur qui viendrait bloquer la rotation du bras de pulvérisation intermédiaire.



Chargement standard pour 10 couverts





Chargement standard pour 14 couverts

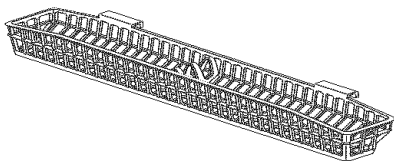
## Panier à couteaux

Le panier à couteaux sert, avec le panier à argenterie, à entreposer les petits couteaux dentes.



## Plateau à versa

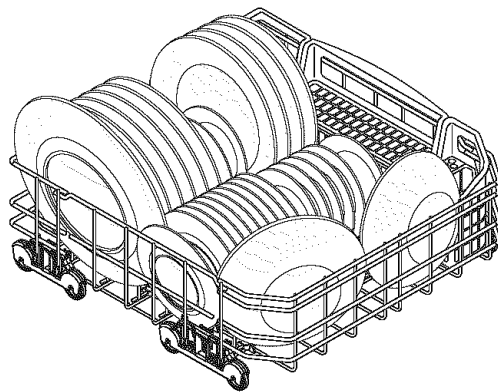
Le plateau à versa peut être utilisé dans le panier du haut pour ranger les versa et autres ustensiles de grande taille.



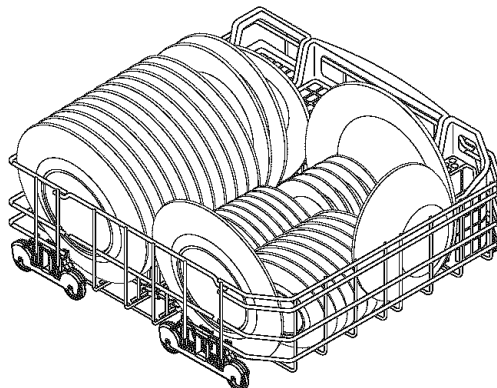
## CHARGEMENT DU PANIER INFÉRIEUR

Le panier inférieur est conçu pour contenir les assiettes, les casseroles, les bols et la batterie de cuisine.

- Les gros objets doivent être placés le long des bords pour ne pas bloquer la rotation du bras de pulvérisation intermédiaire.
- Pour obtenir de meilleurs résultats, placez les bols, les sauteuses et les casseroles avec la surface sale dirigée vers le bas ou vers le centre. Inclinez-les légèrement pour qu'ils s'égouttent bien.
- Assurez-vous que les objets hauts ne bloquent pas la rotation du bras de pulvérisation intermédiaire.
- Assurez-vous que les poignées des casseroles ne dépassent pas en dessous du panier et ne bloquent pas la rotation du bras de pulvérisation inférieur.



Chargement standard pour 10 couverts

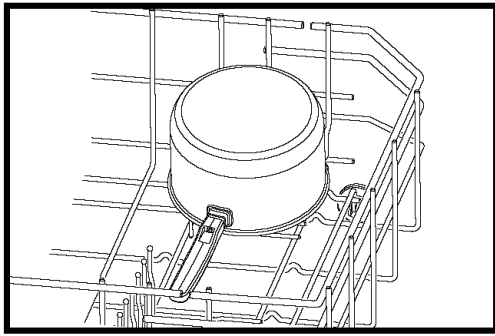


Chargement standard pour 14 couverts

## Tiges repliables

Les tiges repliables du panier inférieur facilitent le chargement des très gros objets et de ceux qui sont difficiles à placer. Les tiges peuvent être redressées pour une utilisation normale ou être repliées pour une plus grande flexibilité de chargement.

Repliez les tiges pour faciliter le chargement des grandes marmites ou des casseroles.

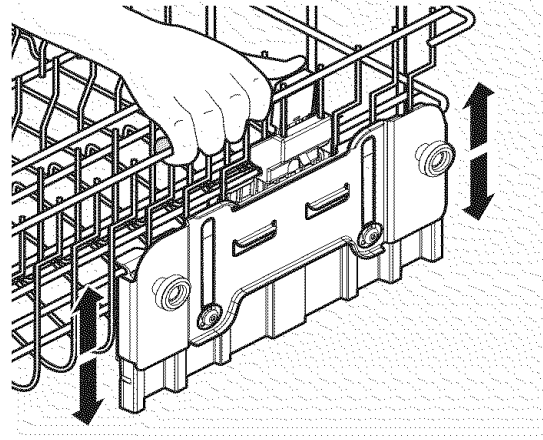


## Régler la hauteur du panier

La hauteur du panier du haut peut facilement être réglée. Vous pourrez ainsi placer de la vaisselle plus volumineuse dans l'un ou l'autre des paniers. Il est possible de régler la hauteur du panier qu'il contienne ou non de la vaisselle.

Pour placer de la vaisselle plus grande dans le panier du bas, augmentez la hauteur de la manière suivante: Pour élever le panier à la position du milieu ou à la position la plus haute, soulevez-le simplement jusqu'au niveau désiré. La manette est reliée à un système de ressort qui placera automatiquement le panier au milieu ou en haut. Pour placer le panier à la position du milieu ou en haut. Pour placer le panier à la position du milieu ou à la position la plus basse, poussez simplement la manette. Lorsque vous les relâchez, le panier se placera à la position du milieu.

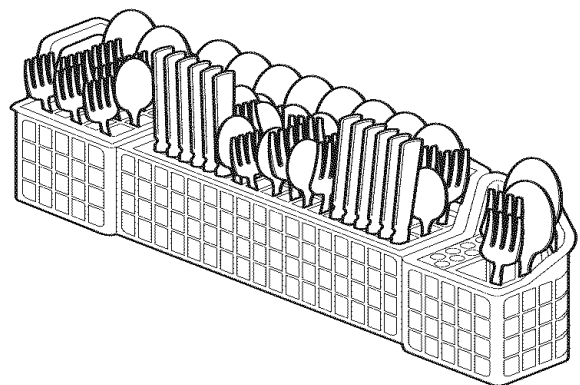
La position supérieure permet un plus grand espace pour les articles du panier du bas.

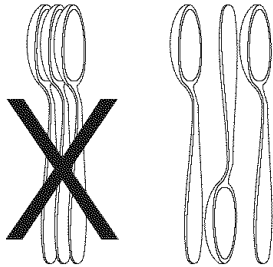


## CHARGEMENT DU PANIER À COUVERTS

Chargez le panier à couverts lorsqu'il est dans le panier inférieur ou sortez le panier pour placer les couverts dedans en le plaçant sur le comptoir ou sur la table.

- Placez les petits objets comme les capuchons des biberons, les couvercles de pots, les piques pour le maïs, etc. dans la partie couverte. Fermez le couvercle pour maintenir les petits objets en place.
- Assurez-vous que rien ne dépasse du dessous du panier ou du panier inférieur qui pourrait bloquer la rotation du bras de pulvérisation inférieur.
- Ne mélangez pas les couverts en inox avec ceux en métal argenté pour éviter d'endommager la finition du métal argenté.





Lorsque les couvercles sont relevés, mélangez les objets non pointus dans chaque partie du panier, les uns la tête en haut, les autres la tête en bas pour éviter qu'ils ne s'emboîtent. La pulvérisation d'eau ne peut pas atteindre les objets emboîtés.

## ATTENTION

**POUR ÉVITER DE SE COUPER :** Placez les objets pointus (couteaux, brochettes, etc.) avec la pointe vers le bas. Le non-respect de ces instructions peut entraîner des blessures.

## POUR AJOUTER DE LA VAISSELLE

### Pour ajouter ou enlever de la vaisselle un fois le cycle démarré :

- 1 Ouvrez légèrement la porte et attendez quelques secondes jusqu'à ce que le lavage s'arrête avant d'ouvrir la porte complètement.
- 2 Ajoutez l'objet.
- 3 Fermez fermement la porte pour la verrouiller et le cycle se remettra en marche automatiquement.

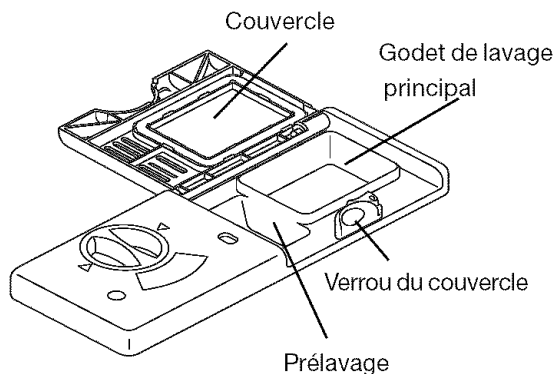
## ATTENTION

**POUR ÉVITER DES BRÛLURES :** Ouvrez légèrement la porte et attendez que les bras de pulvérisation s'arrêtent de tourner et que le lavage s'arrête. L'eau chaude peut gicler hors du lave-vaisselle. Le non-respect de ces instructions peut entraîner des blessures.

## REPLISSAGE DU DISTRIBUTEUR DE DÉTERGENT

Le distributeur de détergent possède deux godets et un couvercle. Remplissez un godet pour une petite charge. Remplissez les deux godets pour les plus grosses charges. Fermez le couvercle et ajoutez du détergent dans le creux du couvercle pour le prélavage. Le détergent pour le prélavage dans le creux du couvercle tombera dans le lave-vaisselle lorsque la porte sera fermée. Les godets fermés s'ouvriront automatiquement pour relâcher le détergent.

- N'utilisez que du détergent pour lave-vaisselle automatique. Les autres détergents provoqueront une mousse trop abondante.
- Lors de l'utilisation de tablettes de détergent pour lave-vaisselle automatique, placez une tablette dans le godet principal de lavage et fermez le couvercle.
- Ajoutez le détergent juste avant le démarrage du cycle.
- Rangez le détergent dans un endroit frais et sec. Les détergents humides ou agglomérés ne se dissoudront pas correctement.



## QUANTITÉ DE DÉTERGENT À UTILISER

La quantité de détergent à utiliser dépend de la dureté de l'eau. *La dureté de l'eau est mesurée en grains par gallon (gr./gal.).* L'eau dure contient une grande quantité de minéraux durs sous forme granulaire, au-dessus de 10 à 11 grains par gallon, qui peut affecter la qualité de l'eau.

L'utilisation de trop peu de détergent peut résulter en un mauvais nettoyage et en un film ou des taches d'eau dure. L'utilisation de trop de détergent avec une eau douce peut provoquer le dépôt d'un film permanent qui est assimilé à attaque de surface. (Voir Attaque de surface, page 81.)

Votre compagnie de distribution d'eau locale, une compagnie de vente d'adoucisseurs d'eau ou l'agent de ces sociétés dans votre comté peut vous donner des renseignements sur la dureté de l'eau dans votre région.



### ATTENTION

**L'utilisation d'un détergent industriel peut endommager pièces du lave-vaisselle, entraînant ainsi des dommages à l'appareil et aux biens qui l'entourent. Utilisez uniquement des détergents à lave-vaisselle ménagers.**

## GUIDE D'UTILISATION DES DÉTERGENTS

Référez-vous au tableau ci-dessous pour l'utilisation recommandée des détergents.

Cycle	Eau douce (0 à 3 grains)	Eau de dureté moyenne (4 à 8 grains)	Eau dure (9 à 12 grains)	Eau très dure* (au-dessus de 12 grains)
Lavage de vaisselle sale ou lavage normal	2 cuillères à café (godet de lavage principal : 1/4 plein)	5 cuillères à café (godet de lavage principal : remplir jusqu'à la ligne au-dessus de la mention « normal »)	8 cuillères à café (godet de lavage principal : complètement plein)	Chaque godet complètement plein (Adoucisseur d'eau recommandé)
Lavage court	2 cuillères à café (godet de lavage principal : 1/4 plein)	5 cuillères à café (godet de lavage principal : remplir jusqu'à la ligne au-dessus de la mention « normal »)	8 cuillères à café (godet de lavage principal : complètement plein)	Chaque godet complètement plein (Adoucisseur d'eau recommandé)
Rinçage	Pas de détergent	Pas de détergent	Pas de détergent	Pas de détergent (Adoucisseur d'eau recommandé)

Comme l'indique la dernière colonne de ce tableau, un adoucisseur d'eau est recommandé pour améliorer la qualité de l'eau et les performances du lave-vaisselle lorsqu'on utilise de l'eau très dure.

Autres suggestions :

- Essayez d'ajouter plus de détergent au début de la phase principale du cycle de lavage.
- En règle générale, utilisez une cuillère à café de détergent pour chaque grain au-dessus de 12 grains. Déverrouillez la porte, ouvrez-la lentement et ajoutez le détergent dans le fond de la cuve.
- Fermez la porte pour la verrouiller et le lave-vaisselle continuera son cycle.

## PRODUIT DE RINÇAGE

**Le produit de rinçage améliore de beaucoup le séchage et réduit le risque de formation de taches et de films dus à l'eau.** Il permet à l'eau de s'écouler de la vaisselle plutôt que de former des gouttelettes qui s'accrochent et laissent des taches.

Le distributeur de produit de rinçage, situé près du godet à détergent, relâche automatiquement une quantité mesurée de produit de rinçage lors du dernier rinçage. Si vous observez des taches et que le séchage n'est pas parfait, augmentez la quantité de produit de rinçage distribuée en tournant le réglage sur un numéro plus élevé. Le réglage est situé sous le bouchon du distributeur.

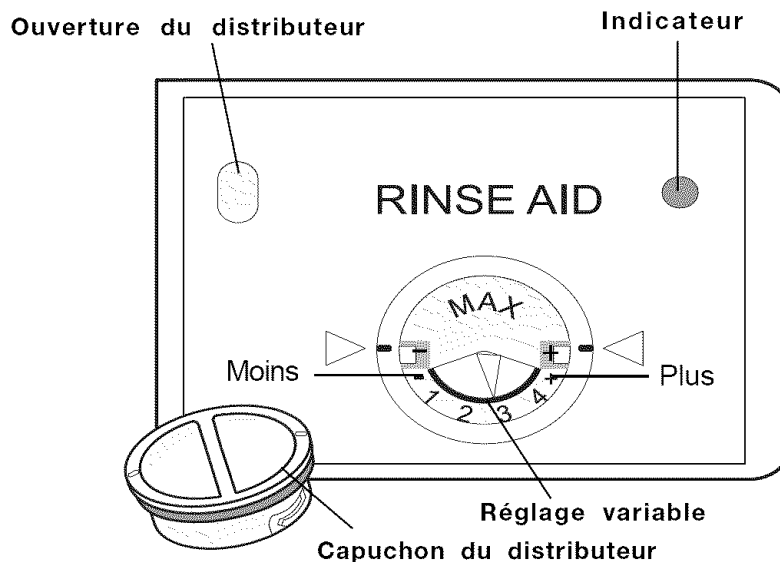
L'indicateur est sombre lorsque le distributeur est plein et devient clair lorsqu'il est temps de le remplir.

Les modèles possédant une fenêtre d'indication d'état affichent LO à la fin du cycle pour indiquer qu'il est temps de refaire le plein du produit de rinçage.

### Pour ajouter du produit de rinçage liquide :

- 1 Tournez le bouchon du distributeur de 1/4 de tour dans le sens horaire et retirez-le.
- 2 Versez le produit de rinçage jusqu'à ce qu'il atteigne le niveau MAX de remplissage. Ne remplissez pas trop car cela provoquerait la formation d'une quantité de mousse trop importante.
- 3 Remettez le bouchon.
- 4 Essayez tout débordement à l'aide d'un chiffon humide.

Le distributeur contient assez de produit pour environ 35 à 140 vaisselles, en fonction du réglage.



## TEMPÉRATURE DE L'EAU

Il est nécessaire de disposer d'eau chaude pour obtenir les meilleurs résultats de lavage et de séchage. L'eau alimentant le lave-vaisselle doit être à au moins 120°F (49°C) pour donner de bons résultats.

### Pour vérifier la température de l'eau d'alimentation du lave-vaisselle :

- 1 Ouvrez le robinet d'eau chaude le plus près du lave-vaisselle pendant quelques minutes pour purger l'eau froide des tuyaux d'eau.
- 2 Maintenez un bonbon ou un thermomètre à viandes dans le courant d'eau sortant du robinet pour vérifier la température.
- 3 Si la température est inférieure à 120°F (49°C), demandez à une personne qualifiée de remonter la température du thermostat de votre chauffe-eau.

## PRESSIION DE L'EAU

Le tuyau d'alimentation en eau chaude du lave-vaisselle doit fournir une pression d'eau comprise entre 20 et 90 livres par pouce carré (lb/po<sup>2</sup>).

Une baisse de pression d'eau peut se produire lorsqu'un lave-linge fonctionne ou que quelqu'un prend une douche. Attendez que l'utilisation d'eau soit moins importante avant de mettre en marche le lave-vaisselle.

### IMPORTANT

**Avant de commencer un cycle, faites couler l'eau chaude pour purger l'eau froide des tuyauteries.**

## EXTÉRIEUR

De temps en temps, nettoyez les surfaces extérieures de votre lave-vaisselle à l'aide d'eau et d'un détergent non abrasif. Rincez et séchez.

### Porte en acier inox

Nettoyez la porte en acier inox et la poignée avec un chiffon à vaisselle et de l'eau chaude savonneuse. Rincez avec un chiffon et de l'eau propre. N'utilisez pas de nettoyeurs de récurage durs. Utilisez seulement des nettoyeurs de cuisine spécialement conçus pour le nettoyage de l'acier inox.

## INTÉRIEUR

Enlevez les taches sur la porte et sur la cuve à l'aide d'un chiffon mouillé non abrasif.

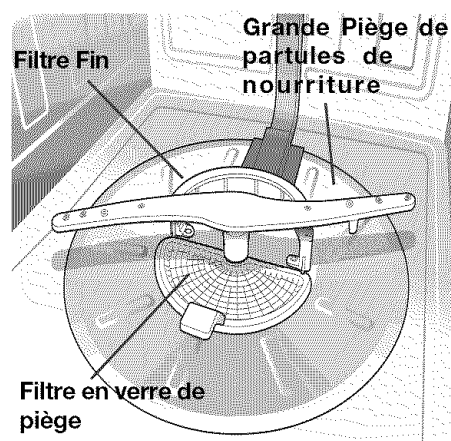
## IMPORTANT

**À lire avant de faire fonctionner votre lave-vaisselle!**

### Entretien du filtre à verre

Votre lave-vaisselle est équipé d'un système de lavage d'aveant-garde. Pour un meilleur redement, il est nécessaire de nettoyer régulièrement le filtre à verre et le collecteur de gros résidus alimentaires.

Le filtre à verre est situé au centre du collecteur de gros résidus alimentaires. Il est conçu pour retenir les morceaux de verre cassé, les pailles, les os et les noyaux. Pour vider le filtre à verre, retirez-le en le tirant par la poignée, videz-le et remettez-le en place.





## Entretien de l'écart anti-retour d'évacuation

Si un écart anti-retour d'évacuation a été installé pour votre lave-vaisselle, vérifiez qu'il est propre de façon à ce que la vidange du lave-vaisselle se fasse correctement. Un écart anti-retour d'évacuation est normalement installé sur l'évier du comptoir et peut être inspecté en enlevant le couvercle. Ce dispositif ne fait pas partie de votre lave-vaisselle et n'est pas couvert par la garantie.



### ATTENTION

Des températures en dessous du point de congélation peuvent faire éclater les tuyaux d'eau. Assurez-vous que tous les tuyaux d'alimentation du lave-vaisselle sont protégés. La non-observation de cet avertissement peut entraîner des dommages matériels.

## PRÉPARATION POUR L'HIVER

Un lave-vaisselle laissé dans un endroit sans chauffage doit être protégé du gel. Demandez à une personne qualifiée d'effectuer les opérations suivantes :

### Pour débrancher l'alimentation :

- 1 Coupez l'alimentation électrique du lave-vaisselle en enlevant les fusibles ou en déclenchant le disjoncteur.
- 2 Coupez l'alimentation d'eau.
- 3 Placez un récipient sous la vanne d'entrée. Débranchez le tuyau d'alimentation en eau de la vanne d'entrée et laissez l'eau s'écouler dans le récipient.
- 4 Débranchez le tuyau de vidange de la pompe et laissez l'eau s'écouler dans le récipient.

### Pour remettre en service :

- 1 Rebranchez l'alimentation en eau et le tuyau de vidange, ainsi que l'alimentation électrique.
- 2 Remettez l'eau et l'électricité en service.
- 3 Remplissez les deux godets de détergent et effectuez un cycle pour VAISSELLE SALE.

### REMARQUE

Voyez les instructions d'installation pour plus de détails.

**IMPORTANT**

Avant d'appeler pour un dépannage, relisez ce chapitre. Il peut vous gagner du temps et vous économiser de l'argent. Ce chapitre contient les solutions aux problèmes simples qui ne sont pas le résultat d'un défaut de main-d'œuvre ou de matériaux défectueux de votre lave-vaisselle.


**NOURRITURE RESTANT  
SUR LA VAISSELLE**

- Vérifiez la température de l'alimentation en eau. (Voir Pour commencer, page 52.) Elle doit être d'au moins 120°F (49°C). (Voir Facteurs affectant les performances, page 63.)
- Choisissez un autre cycle pour un temps de lavage plus long.
- Vérifiez que les paniers sont bien chargés. Évitez l'emboîtement des objets.
- La pression d'eau de la maison peut être trop basse. Elle doit être comprise entre 20 et 90 livres par pouce carré (lb/po<sup>2</sup>).
- Vérifiez la dureté de l'eau. Pour les eaux très dures, il peut être nécessaire d'installer un adoucisseur d'eau. (Voir Guide d'utilisation du détergent, page 61.)
- Utilisez un nouveau détergent.
- Assurez-vous qu'aucun objet ne bloque l'un des bras de pulvérisation, l'empêchant de tourner.

**LA VAISSELLE N'EST PAS  
SÈCHE**

- Assurez-vous que le distributeur de produit de rinçage est rempli.
- Augmentez la quantité de produit de rinçage (Voir Produit de rinçage, page 62).
- Vérifiez la température de l'alimentation en eau. Assurez-vous qu'elle est d'au moins 120°F (49°C).
- Vérifiez le chargement. Évitez l'emboîtement des objets.
- Les objets en plastique peuvent avoir besoin d'être essuyés. Il y a plus d'eau qui reste sur les objets en plastique car leur surface n'est pas aussi chaude que celle des objets en verre ou en métal.
- Les tasses avec un fond concave gardent l'eau.


**ATTAQUE DE SURFACE**

- L'utilisation d'une trop grande quantité de détergent avec une eau douce ou adoucie provoque ce film qui ne peut pas être enlevé.
- Ajustez la quantité de détergent en fonction de la dureté de l'eau. (Voir Guide d'utilisation du détergent, page 61.)
- Abaissez la température de l'eau.

**AFFICHAGE PAS EN MODE  
D'OPÉRATION**

- Maintenir l'icône Réglée pendant 5 secondes pour obtenir l'unité pour remettre à zéro au mode normal d'opération.

## **LES VERRES OU LES COUVERTS COMPORTENT DES TACHES OU SONT RECOUVERTS D'UN FILM BLANCHÂTRE**

- Vérifiez la dureté de l'eau. Pour des eaux très dures, il peut être nécessaire d'installer un adoucisseur d'eau. (Voir Guide d'utilisation du détergent, page 61.)
- La température de l'eau peut être trop basse. Évitez les températures extrêmement basses ou hautes. (Voir Facteurs affectant les performances, page 63.)
- Évitez de trop charger le lave-vaisselle ou de le charger de manière incorrecte. (Voir Préparation et chargement de la vaisselle, pages 56 et 59.)
- Utilisez un nouveau détergent. Un vieux détergent n'est pas efficace.
- Assurez-vous que le distributeur de produit de rinçage est plein.
- Vérifiez si la quantité appropriée de détergent est utilisée pour le cycle sélectionné. (Voir Distributeur de détergent, page 60.)
- La pression d'eau de la maison peut être trop basse. Elle doit être comprise entre 20 et 90 livres par pouce carré (lb/po<sup>2</sup>).

## **L'AFFICHAGE NE FONCTIONNE PAS**

- Vérifiez si l'appareil est en mode sabbat. Reportez-vous à la page 54 pour activer l'affichage de nouveau.

## **LA VAISSELLE EST ÉBRÉCHÉE**

- Chargez la vaisselle avec soin et ne surchargez pas le lave-vaisselle. (Voir Préparation et chargement de la vaisselle, pages 56 et 59.)
- Placez les objets délicats dans le panier supérieur.
- Appuyez bien les verres contre les tiges et ne les placez pas sur les tiges.
- Rangez les objets de façon à ce qu'ils soient stables et qu'ils ne basculent pas lors du déplacement des paniers. Tirez ou poussez les paniers lentement.
- Assurez-vous que les grands verres et les verres à pied ne touchent pas le dessus de la cuve lorsque le panier est repoussé.
- Il est recommandé de laver la porcelaine fine ancienne et les cristaux à la main.

## **BRUITS NORMAUX QUE VOUS ENTENDREZ**

- Les bruits normaux comprennent le remplissage de l'eau, la circulation de l'eau et les bruits des moteurs.
- La pulsation de la pompe provoque une augmentation et une diminution de la vitesse du moteur à intervalles réguliers pendant les cycles.

## LA VAISSELLE EST TACHÉE OU DÉCOLORÉE

- Le thé et le café peuvent tacher les tasses. Enlevez les taches en lavant à la main dans une solution d'eau de javel d'1/2 tasse (120 mL) dans un quart (1 L) d'eau tiède. Rincez soigneusement.
- Les dépôts de fer dans l'eau peuvent provoquer un film jaune ou brun. Un filtre à eau installé dans la tuyauterie d'alimentation corrigera ce problème.
- Les ustensiles de cuisine en aluminium peuvent laisser des marques grises ou noires lorsqu'ils frottent sur les autres objets. Effectuez correctement le chargement.
- Certains aliments très acides peuvent provoquer la décoloration de l'acier inox et des plastiques s'ils sont en contact avec ces objets pendant longtemps. Utilisez le cycle de rinçage ou rincez à la main si le lave-vaisselle n'est pas mis en marche immédiatement.
- Le mélange de couverts en acier inox et en métal argenté dans le panier à couverts peut provoquer des points d'attaque sur les lames en acier inox. Évitez de mélanger les couverts en acier inox et en métal argenté.

## DU DÉTERGENT RESTE DANS LE GODET

- Le détergent peut être vieux. Jetez-le et utilisez un nouveau détergent.
- Assurez-vous que l'action de l'eau peut atteindre le distributeur.
- Vérifiez que le cycle est bien terminé.
- Assurez-vous que des objets n'empêchent pas le distributeur de s'ouvrir.
- Assurez-vous que le panier supérieur est fermement attaché à la buse située à l'arrière de la cuve avant de fermer la porte.

## DE L'EAU RESTE DANS LE FOND DE LA CUVE

- Il n'est pas normal que de l'eau reste dans le fond de la cuve à la fin du cycle. Si c'est le cas, le lave-vaisselle peut ne pas se vidanger correctement. (Voir Le lave-vaisselle ne se vide pas correctement, page 69.) Il peut aussi être nécessaire de nettoyer le filtre. (Voir Entretien du filtre, page 64.)  
*Remarque : Il est normal de voir un peu d'eau sous le filtre à la fin d'un cycle.*

## LE LAVE-VAISSELLE FUT

- Utilisez seulement un nouveau paquet de détergent conçu pour les lave-vaisselle automatiques. Mesurez le détergent soigneusement. Essayez une marque différente.
- Du produit de rinçage renversé peut provoquer de la mousse et entraîner un débordement. Essuyez tout renversement avec un chiffon mouillé.
- Vérifiez que le lave-vaisselle est bien de niveau. (Voir Instructions d'installation.)

## LE LAVE-VAISSELLE NE FONCTIONNE PAS

- Vérifiez que le disjoncteur n'est pas déclenché ou que le fusible n'est pas brûlé.
- Assurez-vous que l'alimentation en eau est ouverte.
- Vérifiez que le cycle est programmé correctement. (Voir Instructions d'utilisation, pages 52 et 55.)
- Vérifiez que l'option de RETARD de démarrage n'a pas été sélectionnée.
- Assurez-vous que la porte est fermée et verrouillée.

## LE LAVE-VAISSELLE NE SE VIDE PAS CORRECTEMENT

- Si l'appareil est raccordé à un broyeur à déchets, assurez-vous que le broyeur est vide.
- Si l'appareil est raccordé à un nouveau broyeur à déchets, vérifiez que le bouchon à défoncer situé à l'intérieur de l'entrée du broyeur a bien été enlevé.
- Vérifiez que le tuyau de vidange n'est pas pincé.
- Assurez-vous que le cycle est terminé, que ce n'est pas une simple pause.

## LE CYCLE PREND TROP DE TEMPS

- Vérifiez que le cycle n'est pas dans une phase de chauffage de l'eau.
- Vérifiez que l'option de retard de démarrage n'a pas été sélectionnée.
- Vérifiez que l'option de désinfection n'a pas été sélectionnée.

## LE LAVE-VAISSELLE NE SE REMPLIT PAS

- Vérifiez que l'alimentation en eau est ouverte.
- Ajoutez 1/2 tasse d'eau dans le fond de l'appareil et démarrez-le à nouveau.

## LE LAVE-VAISSELLE A UNE ODEUR

- La vaisselle sale laissée dans le lave-vaisselle trop longtemps peut développer une odeur. Utilisez le cycle de rinçage.
- Lors de la première installation il y a une odeur de « neuf ». Ceci est normal.
- Vérifiez que l'appareil se vidange correctement. Voir Le lave-vaisselle ne se vide pas correctement.)

## POUR ENLEVER LES TACHES ET LES FILMS

L'eau dure peut laisser un dépôt de calcaire à l'intérieur du lave-vaisselle. La vaisselle et les verres peuvent aussi avoir des taches ou un film pour de nombreuses autres raisons. (Voir Les verres et les couverts comportent des taches ou sont recouverts d'un film blanchâtre, page 67.)

**Pour enlever les dépôts, les taches et les films, faites un cycle en suivant les instructions ci-dessous :**

- 1 Chargez la vaisselle et les verres propres de la manière normale. Ne mettez pas de couverts ou d'ustensiles en métal.
- 2 N'ajoutez pas de détergent.
- 3 Sélectionnez le cycle de LAVAGE NORMAL. Appuyez sur le bouton MARCHE/ANNULATION et fermez la porte.
- 4 Laissez le lave-vaisselle tourner jusqu'au début du deuxième remplissage. Ouvrez la porte et versez 2 tasses de vinaigre blanc dans le fond du lave-vaisselle.
- 5 Fermez et verrouillez la porte. Laissez le cycle se terminer.



### REMARQUE

**Si ces conditions persistent, vous devrez envisager l'adjonction d'un adoucisseur d'eau pour la maison.**

## CODES D'ERREUR

Ces codes peuvent apparaître dans des situations ou l'utilisation de certaines fonctions de l'appareil en toute sécurité est risquée.

### Erreur 01

Détecteur de fuite - De l'eau est détectée sous la cuve.

### Erreur 02

Thermistance - Panne de la thermistance/du module de turbidité.

### Erreur 03

Pompe de lavage - La pompe de lavage ne fonctionne plus.

### Erreur 04

Volet de séchage - Le volet de séchage ne fonctionne plus.

### Erreur 05

Ventilateur supérieur - Lorsque l'appareil effectue un programme de séchage, le tableau de commande reçoit un signal de vitesse inappropriée de la part du ventilateur supérieur.

### Erreur 06

Ventilateur inférieur - Lorsque l'appareil effectue un programme de séchage, le tableau de commande reçoit un signal de vitesse inappropriée de la part du ventilateur inférieur.

### Erreur 07

Robinet de vidange - Lorsque l'appareil est en mode de vidange, le tableau de commande reçoit un signal indiquant que le robinet de vidange est mal positionné.

### Erreur 08

Touche ou panneau tactile - Le tableau de commande a détecté qu'une touche de l'interface utilisateur fonctionne mal ou est court-circuitée.

### Erreur 09

Communications - Défaillance de communication entre la carte principale de l'utilisateur et le bloc d'alimentation.

### Erreur 10

Relais principal - Panne du relais de puissance principal.

### Erreur 11

Robinet de vidange - Le temps de recherche de l'état du robinet de vidange est expiré.

### Erreur 12

Robinet de vidange - La soupape de vidange fonctionne quand elle devrait être éteinte.

### Erreur 13

Système en entier - Perte de contrôle de l'état de la machine.

Votre appareil est couvert par une garantie limitée d'un an. Pendant un an à partir de la date d'achat d'origine, Electrolux réparera ou remplacera les pièces de cet appareil qui présentent un défaut de matériau ou de fabrication, si cet appareil est installé, utilisé et entretenu selon les instructions fournies. La cuve et le revêtement de porte en acier inoxydable de votre appareil sont couverts par une garantie limitée à vie. Pendant la vie de l'appareil, Electrolux remplacera une cuve ou un revêtement de porte en acier inoxydable qui manque de contenir de l'eau à cause d'un défaut de matériau ou de fabrication si cet appareil est installé, utilisé et entretenu selon les instructions fournies. De plus, les paniers de lave-vaisselle et le module de commande électronique de votre appareil sont couverts par une garantie limitée de deux à cinq ans. Durant la période s'étendant de la deuxième à la cinquième année à partir de la date d'achat d'origine, Electrolux fournira un panier de lave-vaisselle ou un module de commande électronique pour votre appareil qui présente un défaut de matériau ou de fabrication, si cet appareil est installé, utilisé et entretenu selon les instructions fournies. .

## Exclusions

Cette garantie ne couvre pas ce qui suit :

1. Les produits dont le numéro de série d'origine a été enlevé, modifié ou n'est pas facilement lisible.
2. Les appareils qui ont changé de propriétaire ou qui se trouvent à l'extérieur des États-Unis ou du Canada.
3. La présence de rouille à l'intérieur ou à l'extérieur de l'appareil.
4. Les produits vendus « tels quels » ne sont pas couverts par cette garantie.
5. La perte d'aliments causée par une panne du réfrigérateur ou du congélateur.
6. Les produits utilisés dans des établissements commerciaux.
7. Les appels de service qui ne concernent pas un mauvais fonctionnement, un défaut de fabrication ou un vice de matériau, ou pour les appareils qui ne font pas l'objet d'un usage domestique ou qui ne sont pas utilisés conformément aux instructions fournies.
8. Les appels de service pour vérifier l'installation de votre appareil ou pour obtenir des instructions concernant l'utilisation de votre appareil.
9. Les frais engagés pour rendre l'appareil accessible pour une réparation, par exemple l'enlèvement des garnitures, des armoires, des étagères, etc., qui ne faisaient pas partie de l'appareil lorsqu'il a quitté l'usine.
10. Les appels de service qui concernent la réparation ou le remplacement des ampoules, des filtres à air, des filtres à eau ou d'autres articles consommables, ou des boutons, des poignées ou d'autres pièces esthétiques.
11. Les coûts de main-d'œuvre ou de service à domicile pendant les périodes supplémentaires de garantie limitée au delà de la première année suivant la date d'achat originale.
12. Les coûts de ramassage et de livraison; votre appareil est conçu pour être réparé à la maison.
13. Les frais supplémentaires comprenant, sans s'y limiter, les appels de service en dehors des heures normales de bureau, en fin de semaine ou un jour férié, les droits de péage, les frais de convoyage ou les frais de déplacement pour les appels de service dans des endroits isolés, notamment l'État de l'Alaska.
14. Les dommages causés au fini de l'appareil ou à la maison pendant le transport ou l'installation, ce qui comprend, sans s'y limiter, les planchers, les armoires, les murs, etc.
15. Les dommages causés par : des réparations faites par des techniciens non autorisés; l'utilisation de pièces autres que les pièces Electrolux d'origine ou l'utilisation de pièces qui n'ont pas été obtenues par l'entremise d'un réparateur autorisé; ou les causes externes comme l'abus, la mauvaise utilisation, l'alimentation électrique inadéquate, les accidents, les feux ou les catastrophes naturelles.

## AVERTISSEMENT CONCERNANT LES GARANTIES IMPLICITES; LIMITATIONS DES RECOURS

L'UNIQUE RECOURS DU CLIENT EN VERTU DE CETTE GARANTIE LIMITÉE EST LA RÉPARATION OU LE REMPLACEMENT DU PRODUIT COMME DÉCRIT PRÉCÉDEMMENT. **LES RÉCLAMATIONS BASÉES SUR DES GARANTIES IMPLICITES, Y COMPRIS LES GARANTIES IMPLICITES DE QUALITÉ MARCHANDE OU D'ADAPTATION À UN USAGE PARTICULIER, SONT LIMITÉES À UN AN OU À LA PÉRIODE LA PLUS COURTE PERMISE PAR LA LOI, QUI NE DOIT PAS ÊTRE INFÉRIEURE À UN AN.** ELECTROLUX NE POURRA ÊTRE TENUE RESPONSABLE DES DOMMAGES ACCESSOIRES OU INDIRECTS NI DES DOMMAGES MATÉRIELS ET DES DÉPENSES IMPRÉVUES RÉSULTANT D'UNE VIOLATION DE CETTE GARANTIE ÉCRITE OU DE TOUTE AUTRE GARANTIE IMPLICITE. CERTAINS ÉTATS ET CERTAINES PROVINCES NE PERMETTENT AUCUNE RESTRICTION OU EXEMPTION SUR LES DOMMAGES ACCESSOIRES OU INDIRECTS NI RESTRICTION SUR LES GARANTIES IMPLICITES. DANS CE CAS, CES RESTRICTIONS OU EXEMPTIONS POURRAIENT NE PAS ÊTRE APPLICABLES. CETTE GARANTIE ÉCRITE VOUS DONNE DES DROITS LÉGAUX PRÉCIS. SELON L'ÉTAT OU LA PROVINCE, IL SE PEUT QUE VOUS DISPOSIEZ D'AUTRES DROITS.

## Si vous devez faire appel au service de réparation

Conservez votre reçu, votre bon de livraison ou toute autre preuve valide de paiement permettant d'établir la période de la garantie au cas où vous auriez besoin de faire appel au service de réparation. Si une réparation est effectuée, il est dans votre intérêt d'obtenir et de conserver tous les reçus. Le service auquel vous avez droit en vertu de cette garantie doit être obtenu en communiquant avec Electrolux aux adresses ou aux numéros de téléphone ci-dessous.

Cette garantie n'est valide qu'aux États-Unis, à Puerto Rico et au Canada. Aux États-Unis et à Puerto Rico, votre appareil est garanti par Electrolux Major Appliances North America, une division d'Electrolux Home Products, Inc. Au Canada, votre appareil est garanti par Electrolux Canada Corp. Personne n'est autorisé à modifier les obligations contenues dans cette garantie ni à y apporter des ajouts. Les obligations de cette garantie concernant la réparation et les pièces doivent être remplies par Electrolux ou par une compagnie de réparation autorisée. Les caractéristiques et les spécifications décrites ou illustrées peuvent être modifiées sans préavis.

## EE. UU.

1-877-435-3287

Electrolux Major Appliances North America

P.O. Box 212378

Augusta, GA 30907

## Canada

1-800-265-8352

Electrolux Canada Corp.

5855 Terry Fox Way

Mississauga, Ontario, Canada L5V 3E4

 **Electrolux**

