

# MICROWAVE/ WALL OVEN COMBINATION INSTALLATION INSTRUCTIONS

**INSTALLATION AND SERVICE MUST BE PERFORMED BY A QUALIFIED INSTALLER.  
IMPORTANT: SAVE FOR LOCAL ELECTRICAL INSPECTOR'S USE.  
READ AND SAVE THESE INSTRUCTIONS FOR FUTURE REFERENCE.**

**⚠ WARNING FOR YOUR SAFETY:** Do not store or use gasoline or other flammable vapors and liquids in the vicinity of this or any other appliance.

Your new wall oven has been designed to fit a limited variety of cutout sizes to make the job of installing easier. The first step of your installation should be to measure your current cutout dimensions and compare them to the cutout dimensions chart below for your model. You may find little or no cabinet work is necessary.



**⚠ WARNING** Do not remove spacers on the side walls and/or on the back of the built-in oven. These spacers center the oven in the space provided. The oven must be centered to prevent excess heat buildup that may result in heat damage or fire.

**NOTE:**

1. Base must be capable of supporting 350 pounds (158.8 kg).
2. Make sure base is level and front of cabinet is square. If the cabinet base is not level, the oven glides will tend to slide out when opening the door.

**\*\* NOTE:** Allow at least 2 3/4" (59.1 cm) clearance for door depth when it is open.

**NOTE:** Dimension **G** is critical to the proper installation of the built-in oven. If the oven decorative moulding does not butt against the cabinet, or if noise is heard on convection models, verify dimension **G** to assure it is according to the required dimension.

- \* Suggested distance from floor is 11 1/2" (29.2 cm).  
Minimum required distance is 4 1/2" (11.4 cm).
- \*\* Door Open (see note)

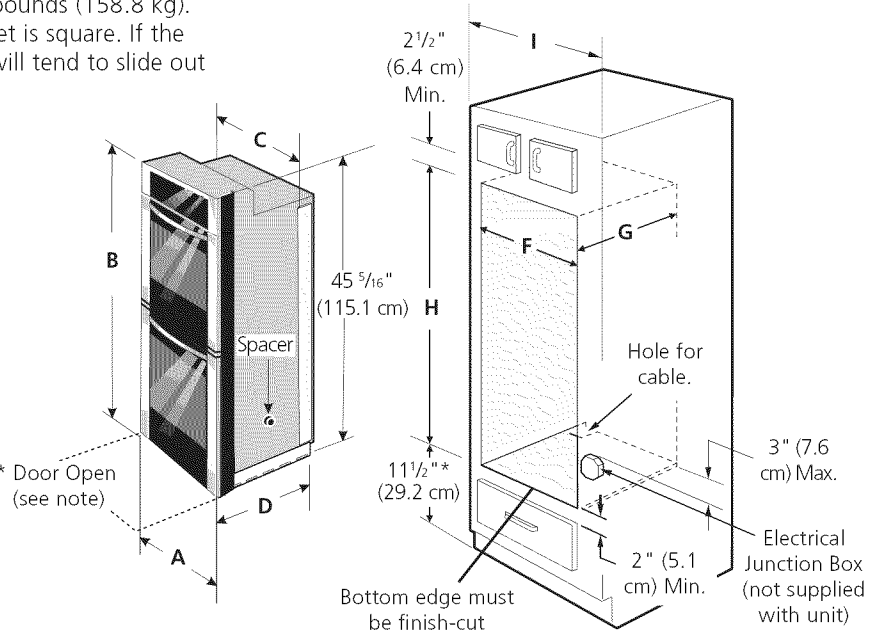


Figure 1

PRODUCT DIMENSIONS								
MODEL	A		B		C		D	
30" (76.2cm) Wall Oven	30 (76.2)		46 5/8 (118.4)		28 1/4 (71.8)		24 5/8 (62.5)	
CUTOUT DIMENSIONS AND CABINET WIDTH								
MODEL	F		G. Min.	H		I		
	Min.	Max.		Min.	Max.			
30" (76.2cm) Wall Oven	28 1/2 (72.4)	29 (73.7)	24 (61)	45 1/2 (115.8)	46 (115.6)	30 (76.2) Min		

All dimensions are in inches (cm).

# MICROWAVE/ WALL OVEN COMBINATION INSTALLATION INSTRUCTIONS

## Important Notes to the Installer

1. Read all instructions contained in these installation instructions before installing the combination oven.
2. Remove all packing material from the oven compartments before connecting the electrical supply to the wall oven.
3. Observe all governing codes and ordinances.
4. Be sure to leave these instructions with the consumer.
5. Oven door may be removed to facilitate installation.
6. **THIS COMBINATION OVEN IS NOT APPROVED FOR STACKABLE OR SIDE-BY-SIDE INSTALLATION.**

## Important Note to the Consumer

Keep these instructions with your Owner's Guide for future reference. Do not discard oven removal tools found in the literature bag.

## IMPORTANT SAFETY INSTRUCTIONS

- Be sure your combination oven is installed and grounded properly by a qualified installer or service technician.
- This wall oven must be electrically grounded in accordance with local codes or, in their absence, with the National Electrical Code ANSI/NFPA No.70- latest edition in United States, or with CSA Standard C22.1, Canadian Electrical Code, Part 1, in Canada.

**⚠ WARNING** Stepping, leaning or sitting on the door of this wall oven can result in serious injuries and can also cause damage to the wall oven.

- Never use your wall oven for warming or heating the room. Prolonged use of the wall oven without adequate ventilation can be dangerous.

**⚠ WARNING** The electrical power to the oven must be shut off while line connections are being made. Failure to do so could result in serious injury or death.

### 1. Carpentry

Refer to figure 1 for the dimensions applicable to your appliance, and the space necessary to receive the combination oven. The oven support surface may be solid plywood or similar material, however the surface must be leveled from side to side and from front to rear.

## 2. Electrical Requirements

This appliance must be supplied with the proper voltage and frequency, and connected to an individual, properly grounded branch circuit, protected by a circuit breaker or fuse. To know the circuit breaker or fuse required by your model, see the serial plate to find the wattage consumption and refer to table A to get the circuit breaker or fuse amperage.

Appliance Rating Watts 240V	Protection Circuit Recommended	Appliance Rating Watts 208V	Protection Circuit Recommended
Less than 4800W	20A	Less than 4100W	20A
4800W - 7200W	30A	4100W - 6200W	30A
7200W - 9600W	40A	6200W - 8300W	40A
9600W and +	50A	8300W and +	50A

Table A

### Observe all governing codes and local ordinances

1. A 3-wire or 4-wire single phase 120/240 or 120/208 Volt, 60 Hz AC only electrical supply is required on a separate circuit fused on both sides of the line (red and black wires). A time-delay fuse or circuit breaker is recommended. DO NOT fuse neutral (white wire).

**NOTE:** Wire sizes and connections must conform with the fuse size and rating of the appliance in accordance with the American National Electrical Code ANSI/NFPA No. 70-latest edition, or with Canadian CSA Standard C22.1, Canadian Electrical Code, Part 1, and local codes and ordinances.

**⚠ WARNING** An extension cord should not be used with this appliance. Such use may result in a fire, electrical shock, or other personal injury. If you need a longer power cord you can purchase a 10' (3 m) power cord kit by calling the Service Center.

2. These appliances should be connected to the fused disconnect (or circuit breaker) box through flexible armored or nonmetallic sheathed cable. The flexible armored cable extending from the appliance should be connected directly to the junction box. The junction box should be located as shown in Figure 1 and with as much slack as possible remaining in the cable between the box and the appliance, so it can be moved if servicing is ever necessary.
3. A suitable strain relief must be provided to attach the flexible armored cable to the junction box.

**⚠ CAUTION** In cold weather shipping and storage conditions, make sure that oven is in final location at least three (3) hours before switching on power. Switching on power while oven is still cold may damage the oven controls.

# MICROWAVE/ WALL OVEN COMBINATION INSTALLATION INSTRUCTIONS

## **⚠ WARNING**

### **Electrical Shock Hazard**

- Electrical ground is required on this appliance.
- Do not connect to the electrical supply until appliance is permanently grounded.
- Disconnect power to the junction box before making the electrical connection.
- This appliance must be connected to a grounded, metallic, permanent wiring system, or a grounding connector should be connected to the grounding terminal or wire lead on the appliance.
- Do not use a gas supply line for grounding the appliance.

Failure to do any of the above could result in a fire, personal injury or electrical shock.

## **3. Electrical connection**

It is the responsibility and obligation of the consumer to contact a qualified installer to assure that the electrical installation is adequate and is in conformance with the National Electrical Code ANSI/NFPA No. 70-latest edition, or with CSA Standard C22.1, Canadian Electrical Code, Part 1, and local codes and ordinances.

**⚠ WARNING** Risk of electrical shock (Failure to heed this warning may result in electrocution or other serious injury.) This appliance is equipped with copper lead wire. If connection is made to aluminum house wiring, use only connectors that are approved for joining copper and aluminum wire in accordance with the National Electrical Code and local code and ordinances. When installing connectors having screws which bear directly on the steel and/or aluminum flexible conduit, do not tighten screws sufficiently to damage the flexible conduit. Do not over bend or excessively distort flexible conduit to avoid separation of convolutions en exposure of internal wires.

DO NOT ground to a gas supply pipe. DO NOT connect to electrical power supply until appliance is permanently grounded. Connect the ground wire before turning on the power.

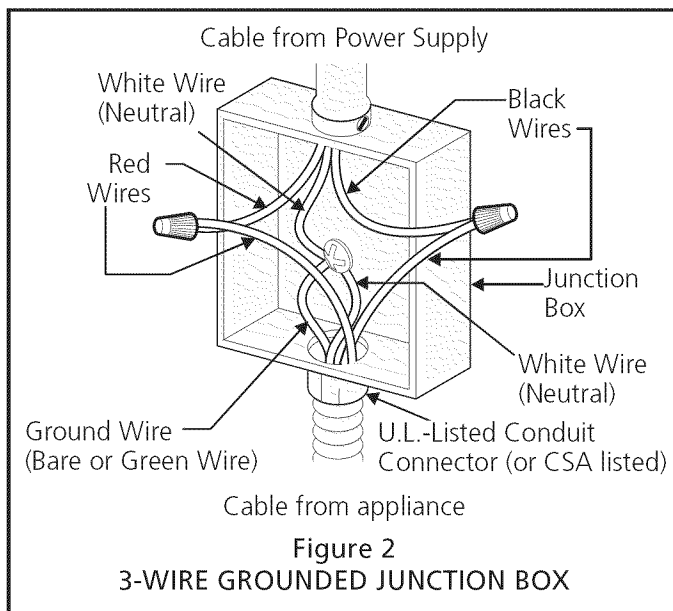
**⚠ WARNING** (If your appliance is equipped with a white neutral conductor.)

This appliance is manufactured with a white neutral power supply and a frame connected copper wire. The frame is grounded by connection of grounding lead to neutral lead at the termination of the conduit, if used in USA, in a new branch circuit installation (1996 NEC), mobile home, recreational vehicles, where local code do not permit grounding through the neutral (white) wire or in Canada, disconnect the white and green lead from each other and use ground lead to ground unit in accordance with local codes, connect neutral lead to branch circuit-neutral conductor in usual manner see Figure 3. If your appliance is to be connected to a 3 wire grounded junction box (US only), where local code permit connecting the appliance-grounding conductor to the neutral (white) see Figure 2.

**NOTE TO ELECTRICIAN:** The armored cable leads supplied with the appliance are UL-recognized for connection to larger gauge household wiring. The insulation of the leads is rated at temperatures much higher than temperature rating of household wiring. The current carrying capacity of the conductor is governed by the temperature rating of the insulation around the wire, rather than the wire gauge alone.

**Where local codes permit connecting the appliance-grounding conductor to the neutral (white) wire (US Only) (see figure 2):**

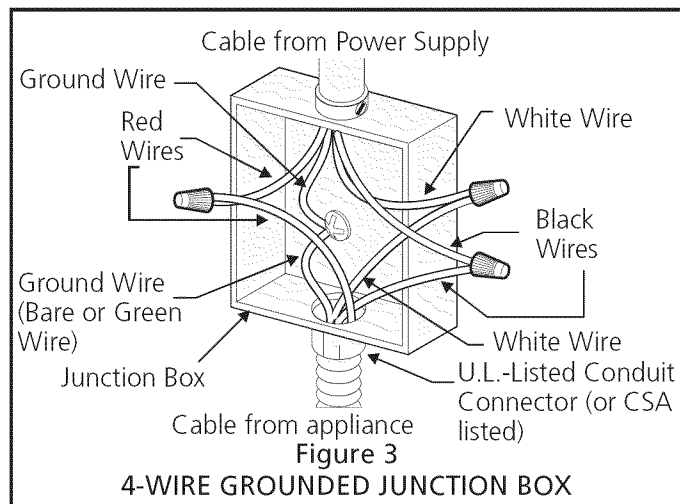
1. Disconnect the power supply.
2. In the junction box:  
Connect appliance and power supply cable wires as shown in Figure 3.



# MICROWAVE/ WALL OVEN COMBINATION INSTALLATION INSTRUCTIONS

If oven is used in a new branch circuit installation (1996 NEC), mobile home, recreational vehicle, or where local codes DO NOT permit grounding through the neutral (white) wire, the appliance frame **MUST NOT** be connected to the neutral wire of the 4-wire electrical system. (see figure 3):

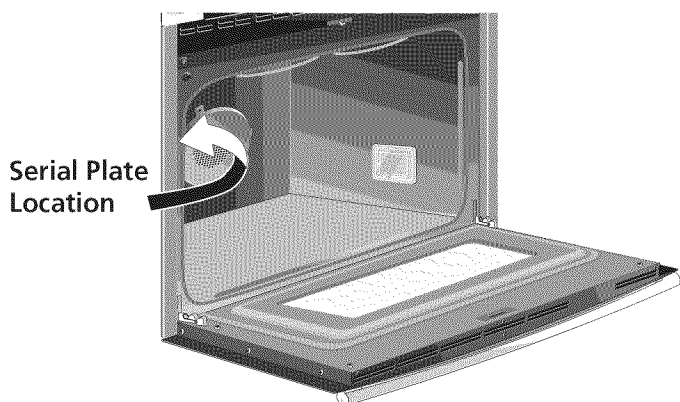
1. Disconnect the power supply.
2. Separate the green (or bare copper) and white appliance cable wires.
3. In the junction box:  
Connect appliance and power supply cable wires as shown in Figure 3.



## Model and Serial Number Location

The serial plate is located along the interior side trim of the oven and visible when the door is opened.

When ordering parts for or making inquiries about your oven, always be sure to include the model and serial numbers and a lot number or letter from the serial plate on your oven.



## 4. Cabinet Installation

### IMPORTANT NOTE

Do not lift the oven by the door handle.

### WARNING

#### Heavy Weight Hazard

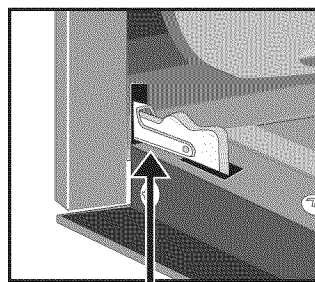
- Use 2 or more people to move and install wall oven.
- Failure to follow this instruction can result in injury or damage to the unit.

1. Unpack the wall oven. Remove the bottom trim taped on the oven side panel.
2. Remove the lower oven door to reduce the weight of the appliance and to facilitate its handling and its installation.

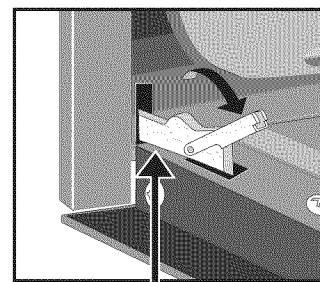
To remove the oven door see following steps:

1. Open the door to the fully opened position (Figure 4).
2. Pull up the lock located on each hinge toward the front of range. You may have to apply a little upward pressure on the lock to pull it up (Figure 5).
3. Grasp the door by the sides, pull the bottom of the door up and toward you to disengage the hinge supports. Keep pulling the bottom of the door toward you while rotating the top of the door toward the appliance to completely disengage the hinge levers (Figure 6).
4. Proceed in reverse to replace the oven door. Make sure the hinge supports are fully engaged before unlocking the hinge levers.

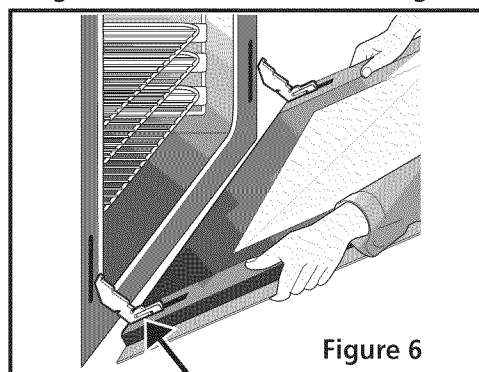
**NOTE:** The oven door is very heavy. Be sure to have a firm grip before lifting the oven door off the hinges. Use caution once the door is removed. Do not lay door on its handle. This could cause dents or scratches.



Lock in normal position  
**Figure 4**



Lock engaged for door removal  
**Figure 5**



Hinge Slot - Door removed from the appliance

# MICROWAVE/ WALL OVEN COMBINATION INSTALLATION INSTRUCTIONS

- 3 Remove all packaging inside the ovens and remove the lower oven racks and their supports (see owner's guide for further instructions).
- 4 Find the 2 mounting brackets and screws included in the literature package.
- 5 Install the 2 anti-tip mounting brackets as shown on figure 7.

**⚠ WARNING** The wall oven can tip when the door is opened. The mounting brackets supplied with the wall oven must be attached to the cabinet and the appliance to prevent tipping of the wall oven and injury to persons.

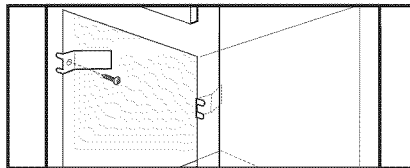
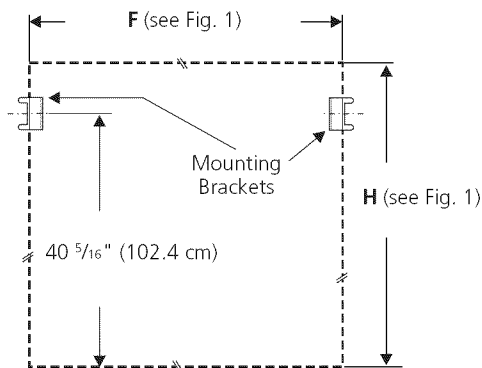


Figure 7

- 6 Insert the unit into the cabinet opening. Slide unit inward leaving 1½" (3.8 cm) clearance between the unit and front of cabinet (see Figure 8).

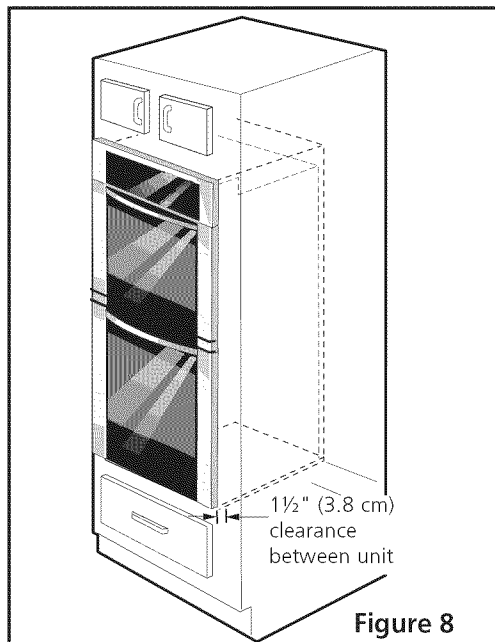


Figure 8

- 7 Pull the armored cable through the hole for it in the cabinet and toward the junction box while moving the appliance inward.
- 8 Install now the bottom trim using the screws supplied with the unit (Figure 9).

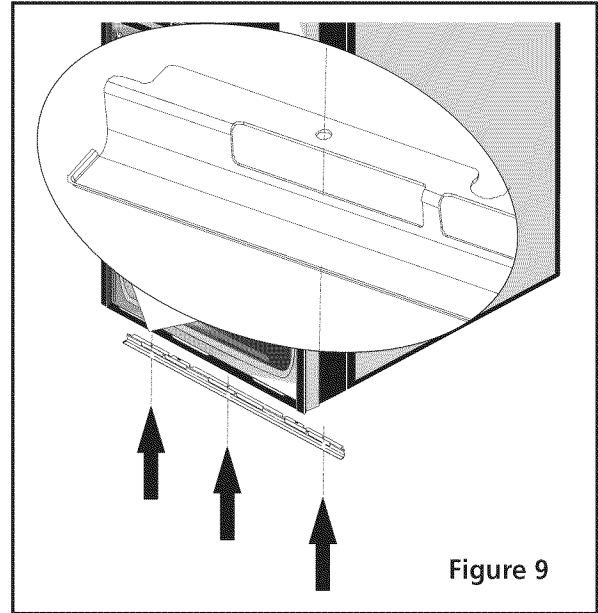


Figure 9

- 9 Install now the center trim using the screws supplied with the unit (Figure 10).

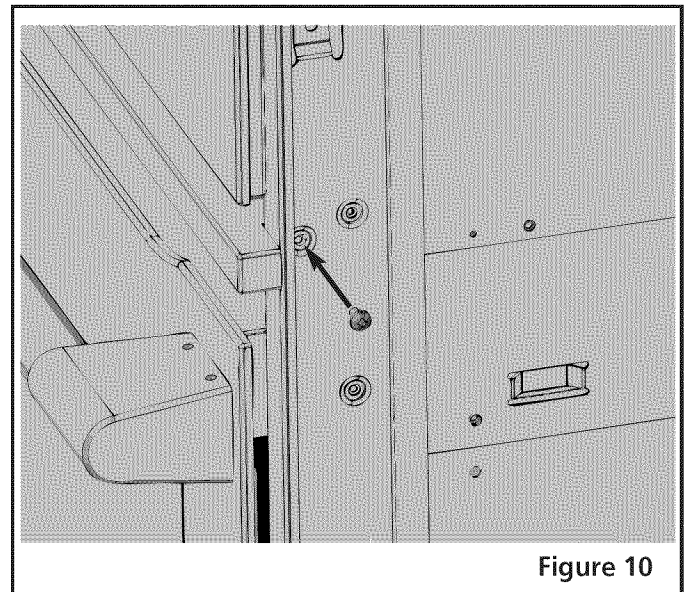
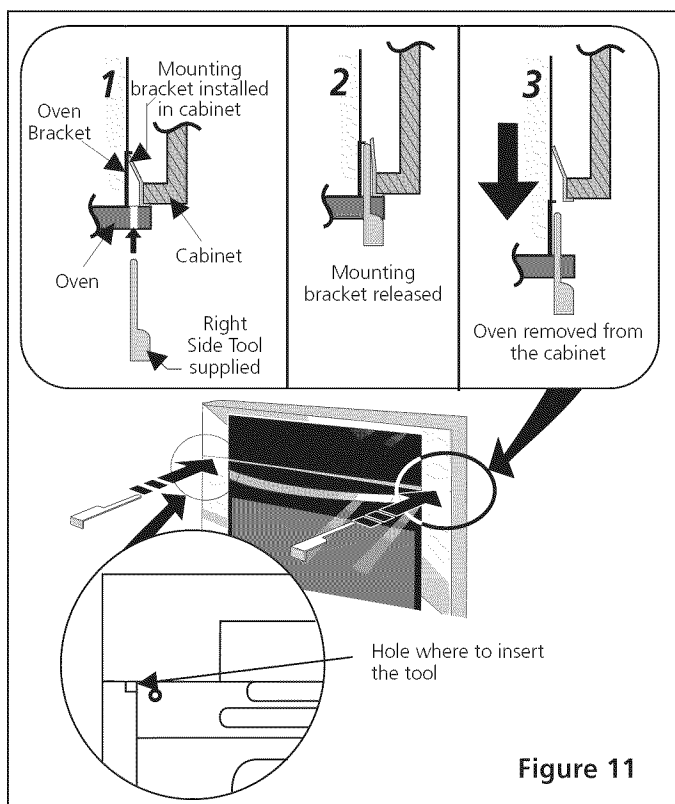


Figure 10

# MICROWAVE/ WALL OVEN COMBINATION INSTALLATION INSTRUCTIONS

- 10** Push the unit in and against the cabinet, then the oven side bracket will clip in the one you just install on the side of the cabinet opening.

To pull out the oven for servicing insert the tool supplied with the appliance both side at the same time in the hole located on the side frame and visible when the door is opened. After inserting the tool pull the oven towards you (see figure 11).



## 5. Leveling the Wall Oven

1. Install an oven rack in the center of the upper oven (see Figure 12).
2. Place a level on the rack. Take 2 readings with the level placed diagonally in one direction and then the other. Use wood shims under the wall oven to level if necessary.

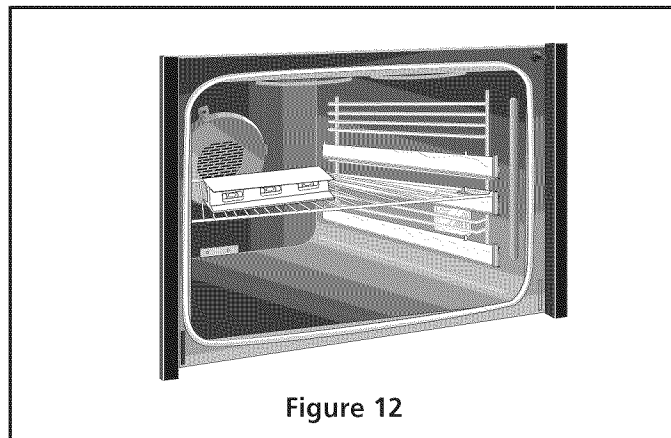


Figure 12

# MICROWAVE/ WALL OVEN COMBINATION INSTALLATION INSTRUCTIONS

## 6. Checking Operation

Your model is equipped with an **Electronic Oven Control**. Each of the functions has been factory checked before shipping. However, it is suggested that you verify the operation of the electronic oven controls once more. Refer to the **Use and Care Guide** for operation.

1. Remove all items from the inside of the oven.
2. Turn on the power to the oven (Refer to your Use & Care Guide.)
3. Verify the operation of the electronic oven controls:  
**Bake** - Verify that this function makes the oven hot. 20 seconds after turning oven on, open the door and you should feel heat coming from the oven.  
**Broil** - When the oven is set to BROIL, the upper element in the oven should become red.  
**Convection**—When the oven is set for a convection baking or roasting, both elements cycle on and off alternately and the convection fan will run. The convection fan will stop running when the oven door is opened.

## Before You Call for Service

Read the Before You Call for Service Checklist and operating instructions in your **Use and Care Guide**. It may save you time and expense. The list includes common occurrences that are not the result of defective workmanship or materials in this appliance.

Refer to your **Use and Care Guide** for service phone numbers.

### IMPORTANT NOTE

**A cooling fan inside the upper rear part above the oven (some models) provides cooling of the oven electrical and electronic components. If the oven has been operating at high temperatures, the fan will continue to run after the oven is turned off.**

 **Electrolux**

