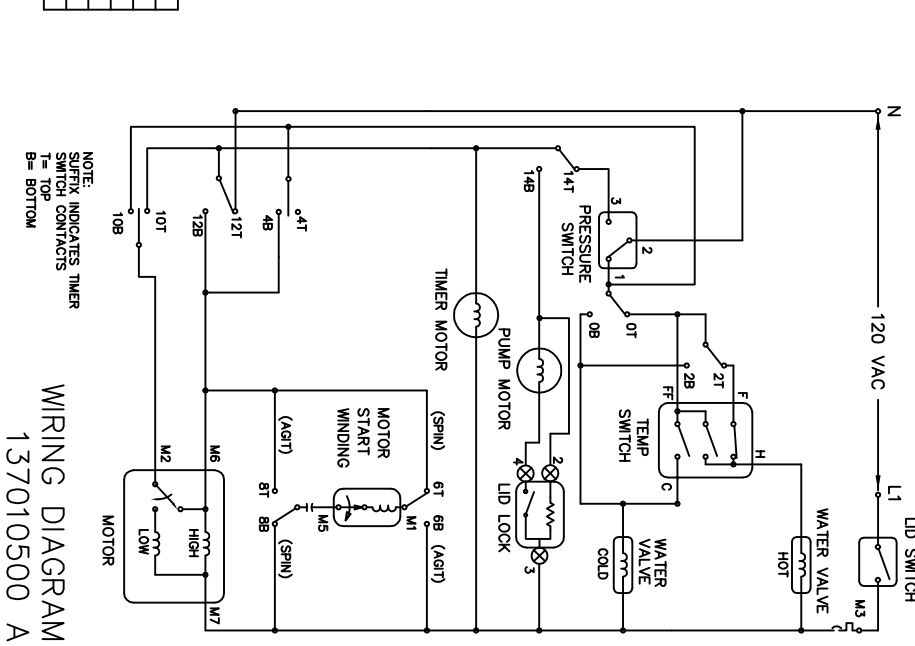
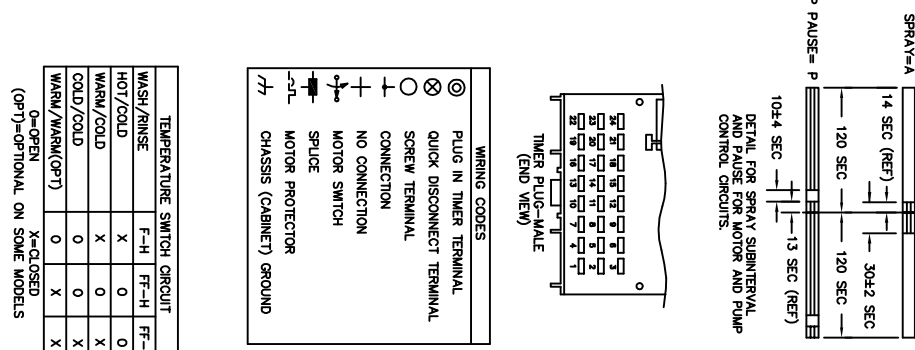
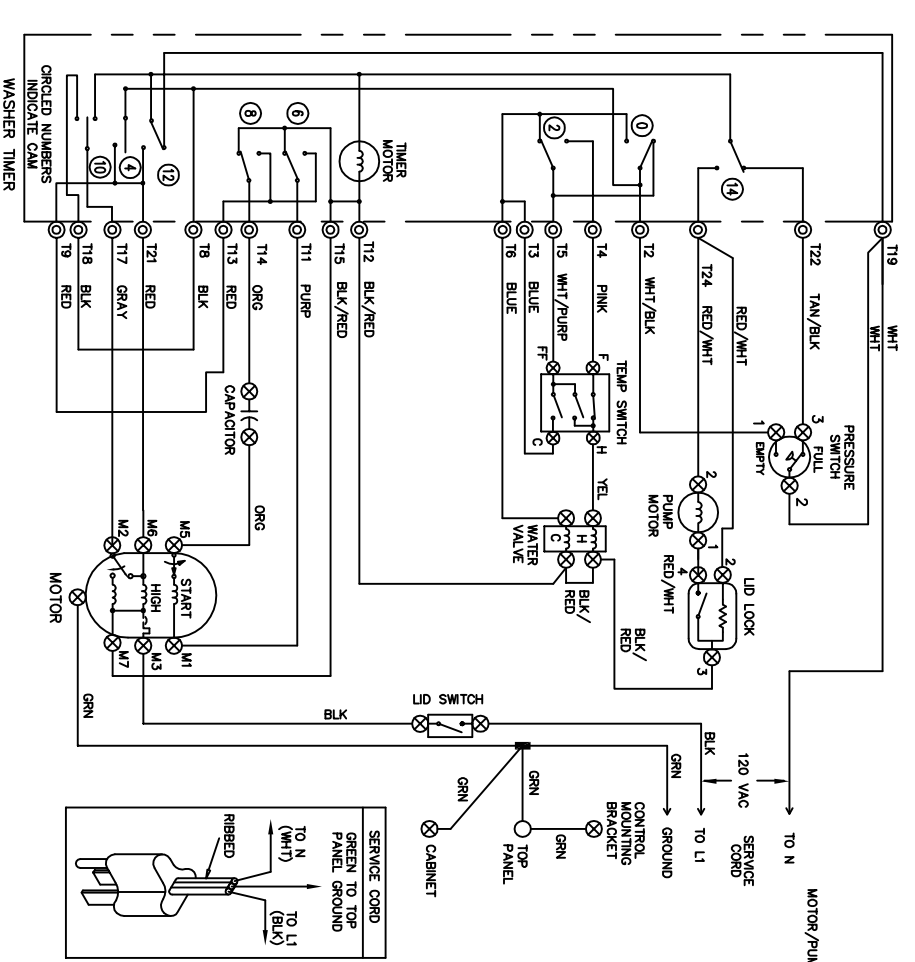
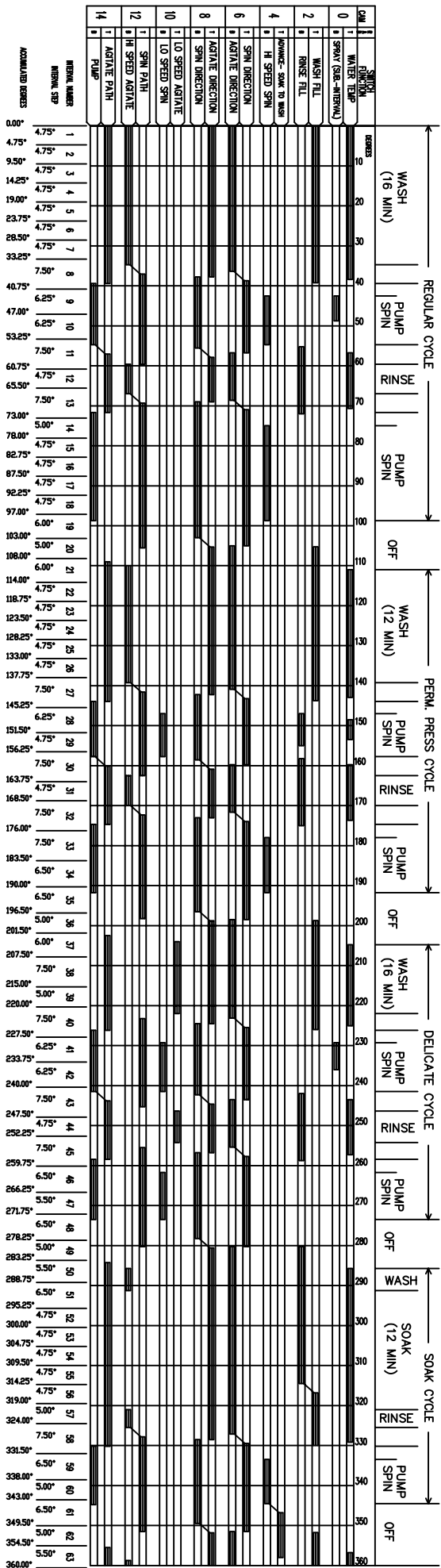


CAUTION: DISCONNECT ELECTRIC CURRENT BEFORE SERVICING



NOTE: SWITCH INDICATES TIMER SWITCH CONTACTS
T = TOP
B = BOTTOM

WIRING DIAGRAM
137010500 A

