

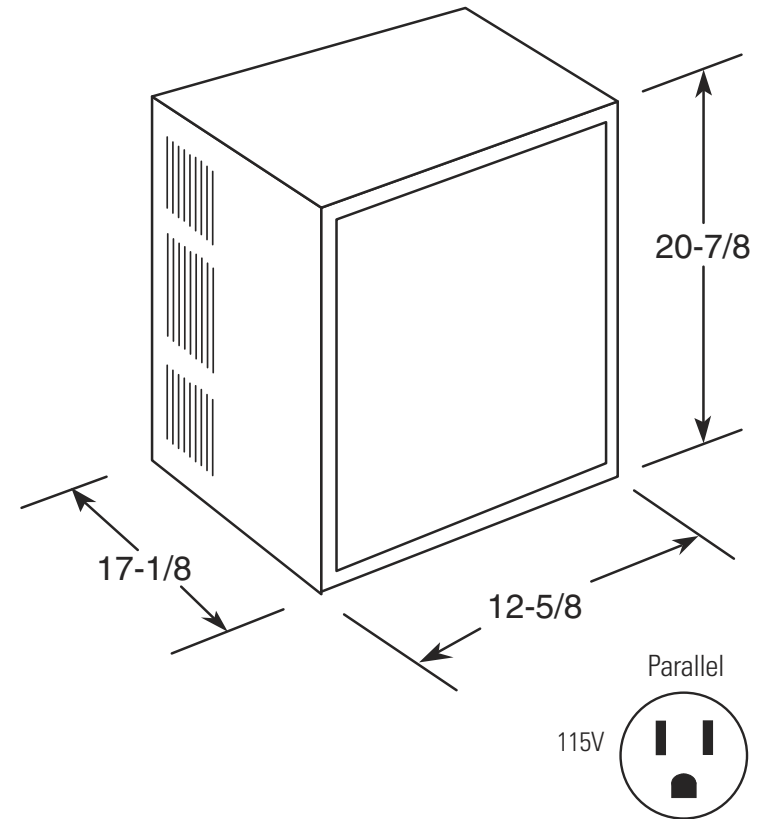
AHG50LH

GE® ENERGY STAR® Dehumidifier

Dimensions and Installation Information (in inches)

Wall Outlets: All wiring including installation of receptacle must be made in accordance with local electrical codes and regulations. Electrical outlet should be in reach of line cord.

Note: Aluminum wiring may pose special problems – consult a qualified electrician.



For answers to your Monogram®, GE Profile™ or GE® appliance questions, visit our website at ge.com or call GE Answer Center® service, 800.626.2000.



imagination at work



Total volume and shelf area are calculated by the Association of Home Appliance Manufacturers' standards.



Listed by Underwriters Laboratories



As an ENERGY STAR® partner, GE has determined that this product meets the ENERGY STAR guidelines for energy efficiency.

AHG50LH

GE® ENERGY STAR® Dehumidifier

Features and Benefits

- 50 Dehumidification Pints Per Day
- Automatic Humidistat Control
- Electronic Controls
- Automatic Shut-Off System
- “Bucket Full” Indicator
- Easy-Roll Casters
- External Drain Connector
- Automatic Defrost
- Model AHG50LH

