

Installation

Instructions

Built-In
Microwave/Convection
and
Microwave Ovens

Models

ZMC1095

JEB1095

JEB1055

Before you begin – Read these instructions completely and carefully.

IMPORTANT: Save these instructions for local inspector's use.

IMPORTANT: OBSERVE ALL GOVERNING CODES AND ORDINANCES.

NOTE TO INSTALLER: Be sure to leave these instructions with the consumer

NOTE TO CONSUMER: Keep these instructions with your Use and Care Book for future reference.

If you have questions concerning the installation of this product, call the GE Answer Center® Consumer Information Service at 800.626.2000, 24 hours a day, 7 days a week.

If you received a damaged oven, you should contact your dealer.

Proper installation is the responsibility of the installer. Product failure due to improper installation is not covered under the GE Appliance Warranty. See the Use & Care Guide for warranty information.

Important Safety Information

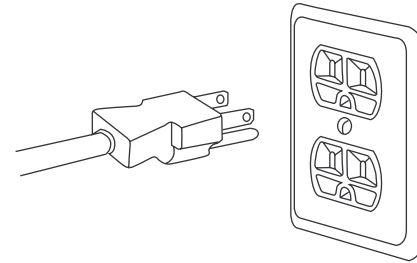
Safety Instructions

This product requires a three prong grounded receptacle. The installer must perform a ground continuity check on the power outlet box before beginning the installation to insure that the outlet box is properly grounded. If not properly grounded, or if the outlet box does not meet the electrical requirements noted, (under **ELECTRICAL REQUIREMENTS**), a qualified electrician should be employed to correct any deficiencies.

CAUTION: For personal safety, remove house fuse or oven circuit breaker before beginning installation to avoid severe or fatal shock injury.

CAUTION: For personal safety, the mounting surface must be capable of supporting the cabinet load, in addition to the added weight of this 70 pound product, plus additional oven loads of up to 50 pounds or a total weight of 120 pounds.

CAUTION: For personal safety this product cannot be installed in cabinet arrangements such as an island, a peninsula or below a countertop.



Electrical Requirements

Product rating is 120 volts AC, 60 Hertz, 13 amps. and 1.45 kilowatts. This product must be connected to a supply circuit of the proper voltage and frequency. Wire size must conform to the requirements of the National Electric Code or the prevailing local code for this kilowatt rating. The power supply cord and plug should be brought to a separate 15 or 20 ampere branch circuit single grounded receptacle. The outlet box should be located near the cord entry point. The outlet box and supply circuit should be installed by a qualified electrician and conform in the National Electric Code or the prevailing local code.

Usage: Can be installed over any GE single electric built-in oven.

Contents

Design Information

Product Dimensions	3
Cutout Dimensions	3
Electrical Locations	3
Advance Planning	3

Installation

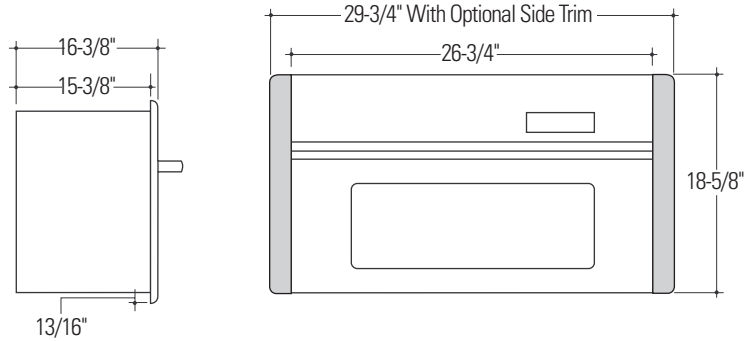
Installation Option	4
Tools and Materials Required	4
Parts Supplied	4
Step 1, Slide Microwave into the Cutout	4
Step 2, Remove Grille Retainer Screws	5
Step 3, Install Side Trim for 30" Appearance	5
Step 4, Drive Installation Screws	5
Step 5, Reinstall Grille	6

Design Information

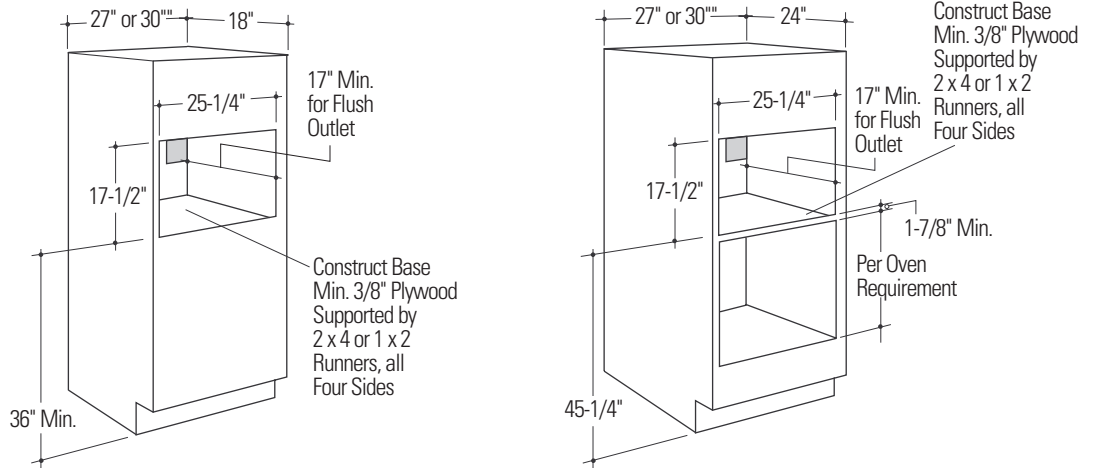
Built-In Microwave/Convection Oven

Models ZMC1095, JEB1095, JEB1055
Available in White, Black and Stainless Steel

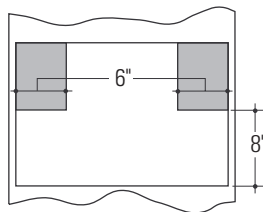
Product Dimensions



Cutout Dimensions



Electrical Location



Locate outlet box in the shaded area

Advance Planning

These microwave ovens are sized to fit a 27" wide cabinet.

- Side trim pieces are provided for installation into a 30" wide space. For a matching appearance, use the side trim when installing the microwave oven above a 30" single wall oven.

- If you are installing into a 27" wide cabinet, or over a 27" wide wall oven, discard the side trim pieces.
- Cutout dimensions are the same for both 27" or 30" wide cabinet installations.

Installation

Built-In Microwave/Convection Oven

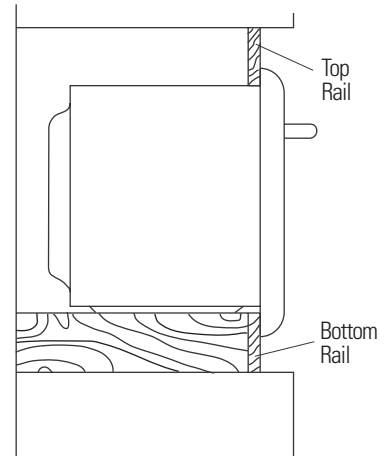
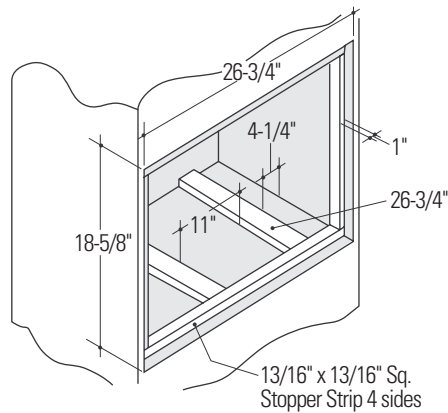
Installation Options

These built-in ovens can be inset into the cabinetry. In this installation the microwave is recessed and flush with the front surface of the cabinet.

A shadow box affect can be achieved by installing a rail at the top and bottom of the microwave to fill the cutout height. In this

installation, exposed inside surfaces of the cabinet should be finished to match the cabinet surface.

• In both a recessed and shadow box installation, the floor of the cutout must be level and even with the bottom edge of the cutout. Use runners inside the opening to raise the floor to matching height.



Inset/Recessed Installation

- Cut 4 stopper strips, 13/16" square to frame the opening, install the strips 13/16" from the front edge of the opening. Oven overlap will cover all 4 stopper strips.

Shadow Box Installation

- Cut top and bottom rail to fit the width of the opening. Cut the height of the rails to fit the cutout height. Use cleats to secure the rails to the inside walls of the cabinets.

Tools and Materials required:

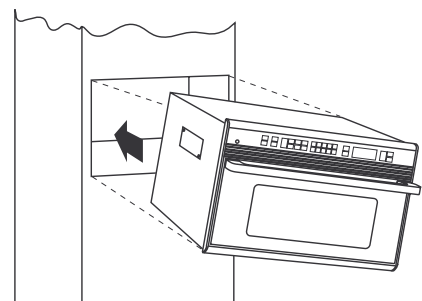
- #2, Phillips screwdriver
- Hand held drill motor
- High speed drill bit, 1/8" diameter
- 2 each #8x1" - Round head wood screws
- 3/8", slothead screwdriver

Parts supplied:

- 2 mounting screws
- 4 extra side trim screws
- 2 side trim pieces

Step **1**
Slide the Microwave into Cutout

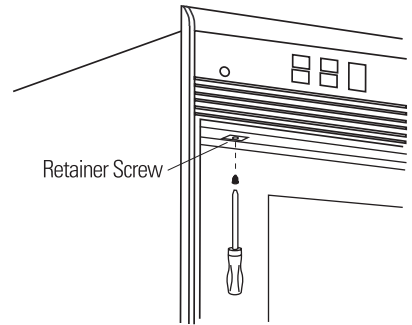
- Lift and hold the oven up to the opening.
- Hold the oven at the 45° angle and plug in the power cord.
- Carefully, slide the oven into the cabinet.
- Check to be sure that power cord is not trapped under the bottom or the sides of the oven.



Step 2

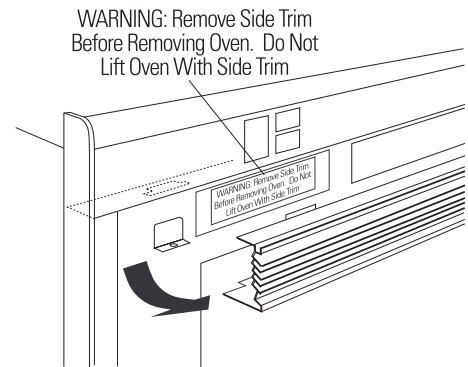
Remove Grille Retainer Screws

- Open the door.
- Remove the two (2) retainer screws from the bottom side of the grille (one at each side).



- Roll the grille forward from the bottom.
- Disengage the locating tabs, and remove the grille from the unit.

Note: Grille appearance varies depending on model.



Step 3

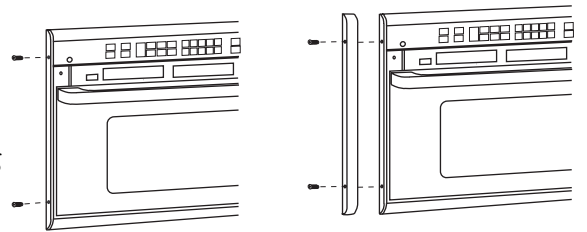
Install Side Trim for 30" Appearance

**SKIP THIS STEP
IF YOU ARE NOT
USING THE
OPTIONAL
SIDE TRIM.**

If you are installing in a 27" opening, skip this step and discard the optional side trim.

For a 30" installation appearance:

- Slide one side of the oven out of the opening about 4" to 5", leaving the opposite side against the cabinet. The oven should be at about 30° angle in the opening which will allow easier access to the side trim screws.
 - Remove the two side trim screws.
 - Hold a side trim piece against the oven with screw holes aligned. Reinstall original screws.
- Note:** 4 extra side trim screws are provided for your convenience.
- Lift the oven by the bottom, pull out and turn the oven to expose the opposite side.



CAUTION: LIFT THE OVEN FROM THE BOTTOM. DO NOT LIFT THE OVEN WITH THE SIDE TRIM.

Side trim will not support the weight of the oven.

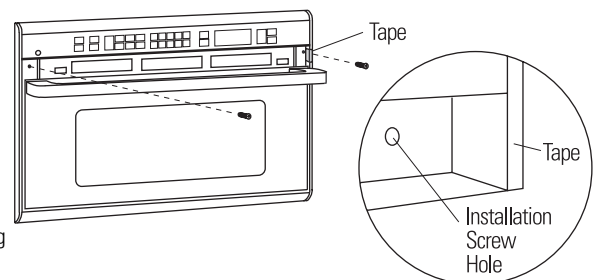
- Remove the two side trim screws and install the opposite side trim piece.
- Carefully, lift the oven by the bottom and slide straight back into the opening. Check to be sure power cord is not trapped beneath the oven.

Step 4

Drive Installation Screws

- Using the installation holes as a guide, drill two (2) pilot holes (1/8" diameter) into the cabinet.
- Install the two (2) installation screws.

CAUTION: Place tape or cardboard over trim edges to prevent damage while drilling pilot holes.



5

Step

Reinstall Grille

- Reinstall the grille, with the two retainer screws.

Notes

Built-In Microwave/Convection Oven
