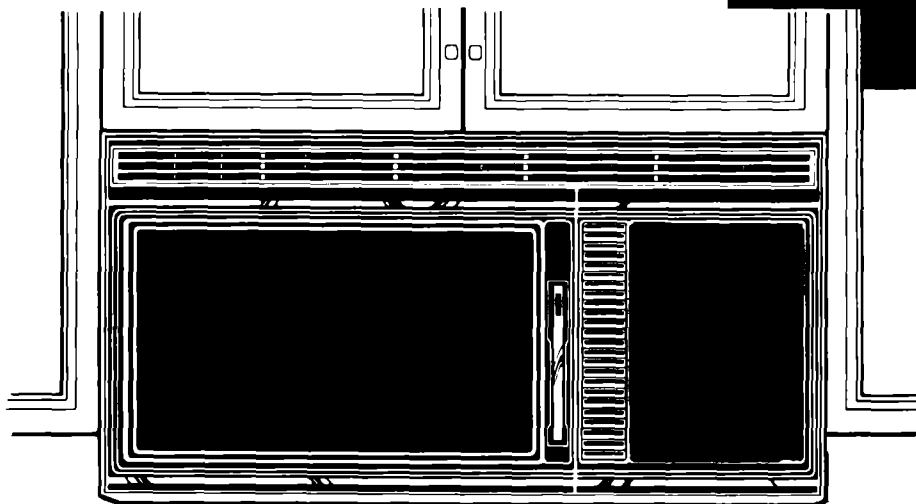


Installation Instructions

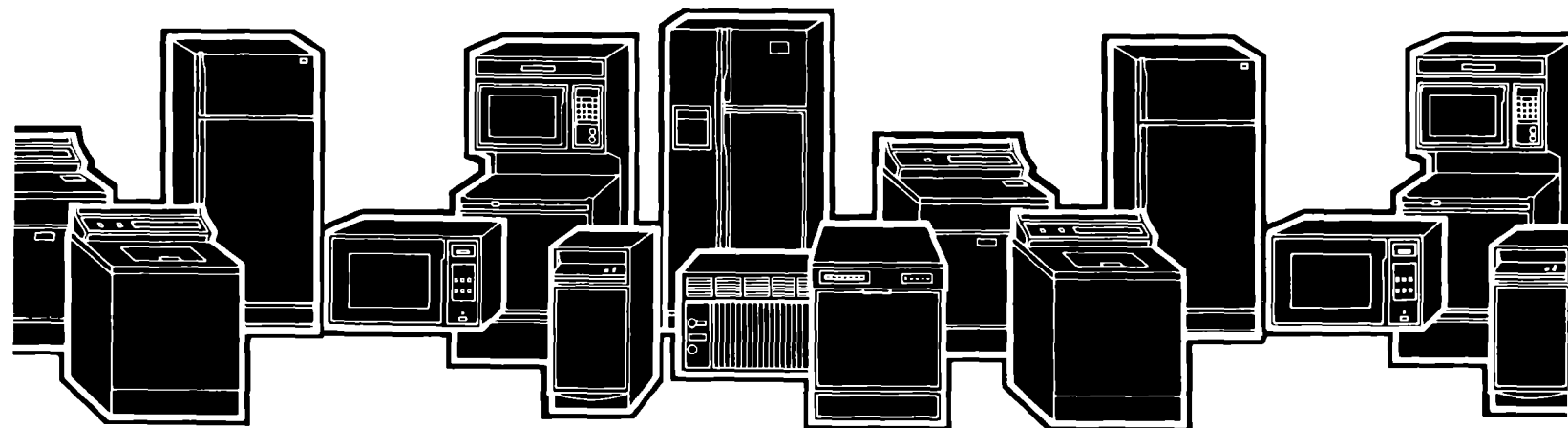
MICROWAVE HOOD COMBINATION



IMPORTANT

INSTALLER: LEAVE THESE INSTRUCTIONS WITH THE HOMEOWNER
HOMEOWNER: RETAIN THESE INSTRUCTIONS FOR FUTURE REFERENCE.

ave Ovens, Compactors, Room Air Conditioners, Dehumidifiers, Automatic Washers, Clothes Dryers, Freezers, Refrigerator-Freezers, Ice Makers, Dishwa



READ AND SAVE THESE INSTRUCTIONS

Before you begin, read the following instructions completely and carefully. If followed, they will simplify the installation job.

IMPORTANT: OBSERVE ALL GOVERNING CODES AND ORDINANCES

FOR USE OVER WHIRLPOOL CONVENTIONAL GAS AND ELECTRIC RANGE COOKTOPS THAT DO NOT HAVE A GRILLE.

MOUNTING TEMPLATES

This product cannot be properly installed without using the mounting templates.

Locate and study templates before beginning installation.

MOUNTING SPACE

This microwave oven requires a minimum opening on a flat vertical wall 30" wide.* The top surface of the unit must be a minimum of 30" above the cooktop surface. See Figure 1A.

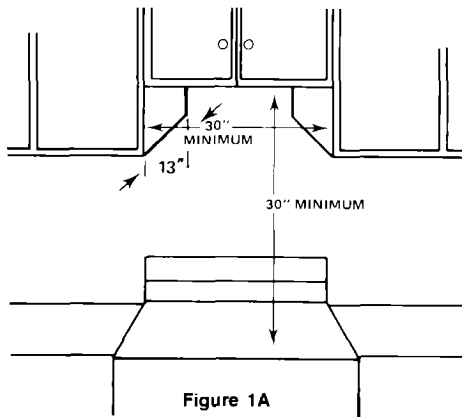


Figure 1A

*If this microwave/hood is installed in cabinetwork that extends beyond 13" (see Figure 1A) or along a side wall that extends more than 13", an extra one inch will be required for proper door opening clearance. See Figure 1B.

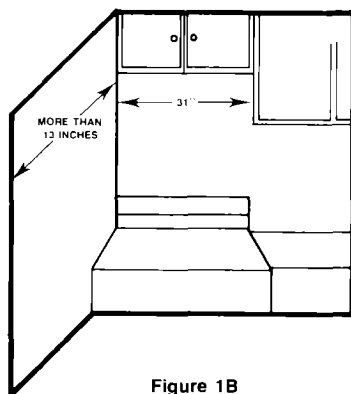


Figure 1B

WALL CONSTRUCTION

This oven should be mounted against and supported by a flat, vertical wall. Wall construction should be a minimum of 2" x 4" wood studing and 3/8" thickness drywall or plaster/lath. The mounting area must be capable of supporting a total weight of 150 lbs. in addition to any weight added by or placed inside the cabinet.

When mounting the microwave to the wall, you must locate and attach the unit to a minimum of one 2" x 4" wall stud.

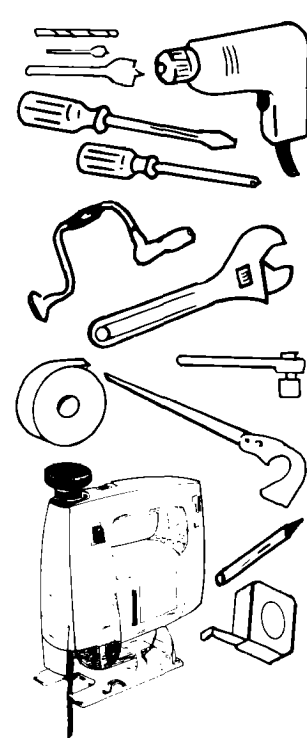
This product must not be mounted and supported by an island or peninsula cabinet only. If a special installation is required, oven top and rear supporting structures must be capable of supporting the additional total weight of 150 lbs.

For brick or masonry walls special hardware and tools will be required. At least four anchor bolts must be anchored into the masonry and the 150 lbs. requirement must be met.

Be careful when drilling holes into a wall. Electrical wires and water pipes may be concealed behind the wall covering.

WARNING: THE WEIGHT OF THE MICROWAVE MAY EXCEED YOUR LIFTING ABILITY. WE RECOMMEND ASSISTANCE.

TOOLS AND MATERIALS



- Electric drill with 3/16", 1/2" and 5/8" wood drill bits.
- Phillips screwdriver.
- Flat blade screwdriver.
- Adjustable wrench.
- Pencil, ruler, and level for marking cabinet locations.
- 1/4", 7/16", and 1/2" sockets and driver.
- Tools to cut a 2" diameter hole for the electrical power cord.
- Saber saw or keyhole saw for cutting wall or cabinet openings.
- Protective drop cloth for range and counter.
- Tacks or tape to hold templates
- Sharp knife or scissors

Installation Instructions

ELECTRICAL REQUIREMENTS

LOCATE THE POLARIZED OUTLET IN REAR WALL ABOVE UNIT, VISIBLE THROUGH CABINET DOORS ABOVE UNIT. (DISCONNECT ELECTRIC SUPPLY BEFORE SERVICING).

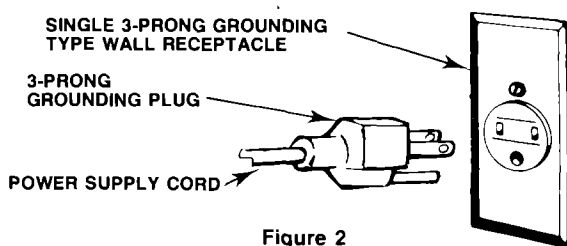
A 120 Volt, 60 Hz, AC only, 15 or 20 Ampere fused electrical supply is required (time delay fuse or circuit breaker is recommended). It is recommended that a separate circuit servicing only this appliance be provided. DO NOT use an extension cord.

WARNING: Improper connection of the equipment grounding conductor can result in a risk of electrical shock.

RECOMMENDED GROUNDING METHOD

DO NOT, UNDER ANY CIRCUMSTANCES, REMOVE THE POWER SUPPLY CORD GROUND PRONG.

For your personal safety, this appliance must be grounded. This appliance is equipped with a power supply cord having a 3-prong grounding plug. To minimize possible shock hazard it must be plugged into a mating 3-prong grounding type wall receptacle, grounded in accordance with a National Electrical Code and local codes and ordinances. If a mating wall receptacle is not available, it is the personal responsibility and obligation of the customer to have a properly grounded 3-prong wall receptacle installed by a qualified electrician. See Figure 2.



VENTILATION

IMPORTANT: WALL AND ROOF CAPS MUST HAVE BACKDRAFT DAMPER.

NOTE: Ductwork, wall and roof caps not supplied with hood.

Select venting prior to installation. This oven must be vented one of three ways:

A. Outside Venting through the top surface of the unit.

B. Outside Venting through the rear surface of the unit.

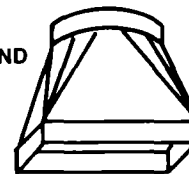
C. Inside Venting of this oven requires Whirlpool recirculating filter kit #RCH6000, Part #788000. Contact your Whirlpool Dealer to obtain this kit before proceeding. Separate instructions are included in the recirculating filter kit.

Exhaust Connection

The exhaust duct connects to a standard 3 $\frac{1}{4}$ " x 10" rectangular duct.

If existing duct is round, a rectangular-to-round adaptor must be used. **In addition, install a rectangular 3" extension duct between the damper assembly and adaptor to prevent sticking of the exhaust damper.**

RECTANGULAR-TO-ROUND ADAPTOR



CAUTION: If the rear exhaust option is selected be sure that there is proper clearance within the wall for the exhaust duct.

IMPORTANT: THE VENTING SYSTEM MUST TERMINATE TO THE OUTSIDE. DO NOT TERMINATE THE VENT IN AN ATTIC OR OTHER ENCLOSED SPACE. THIS MAY RESULT IN A FIRE HAZARD.

TO INSURE PROPER AIR MOVEMENT AND VELOCITY:

Attic Venting: Never vent to either attic or crawl space. Unit must always be ducted to the outside.

Uniform Size: All ducting should be uniform throughout the complete system for proper performance.

Duct Restrictions: Never install two elbow fittings next to each other. This causes unusual air patterns and subsequently interrupts velocity and the end result is poor ventilation.

Sealing Joints: All joints in the duct system must be tightly taped to avoid smoke and odor in the home. Also, be sure to caulk thoroughly all joints in floor or wall where duct system goes to the outside.

Maximum Duct Length

The total length should not exceed the equivalent of 140 feet of 3 1/4" x 10" rectangular or 6" diameter round duct. This figure is the total of straight duct plus equivalent feet of elbows, transitions, wall or roof caps, etc. These drawings show common equivalent feet of some typical duct elements. (See figure 3.) See sample system calculations in Figure 5 and 6.

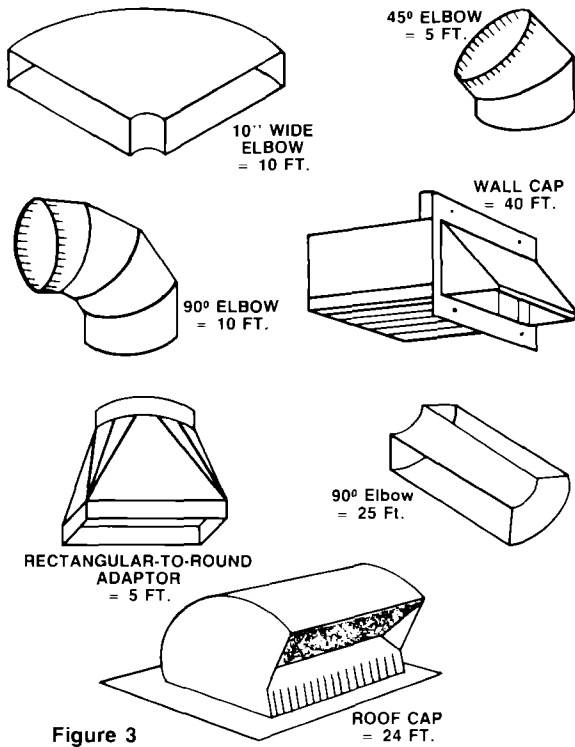


Figure 3

INSTALLATION HARDWARE

Figure 4 shows the hardware that is found in the installation materials package:

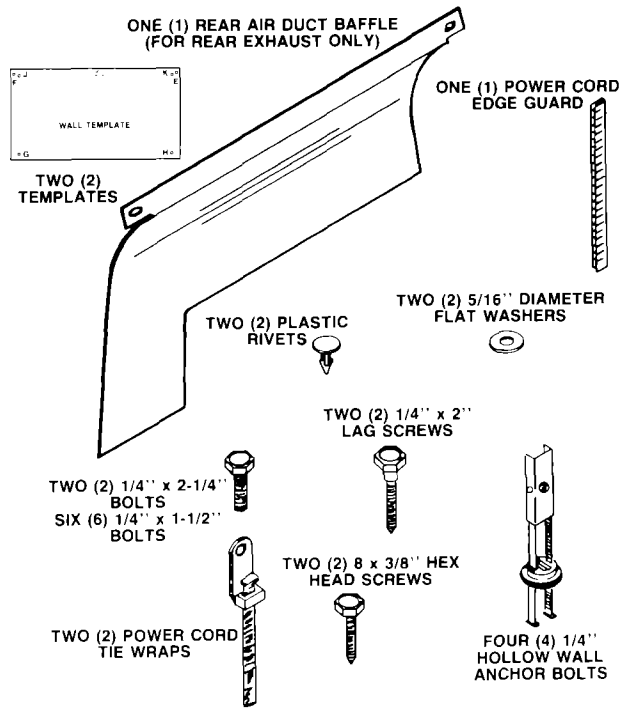


Figure 4

SAMPLE SYSTEM CALCULATIONS

3-1/4" x 10" System Calculation
(Maximum allowable calculated length 140 feet)

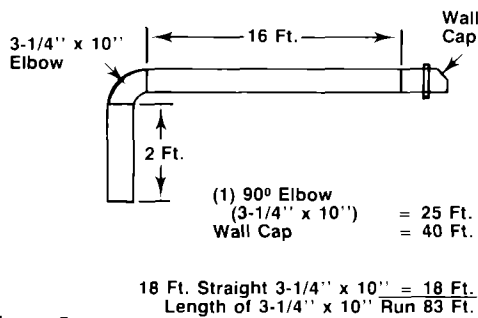


Figure 5

6" System Calculation
(Maximum allowable calculated length 140 feet)

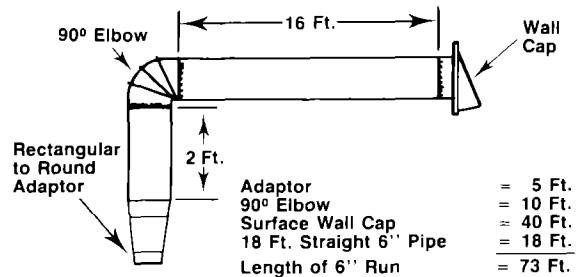


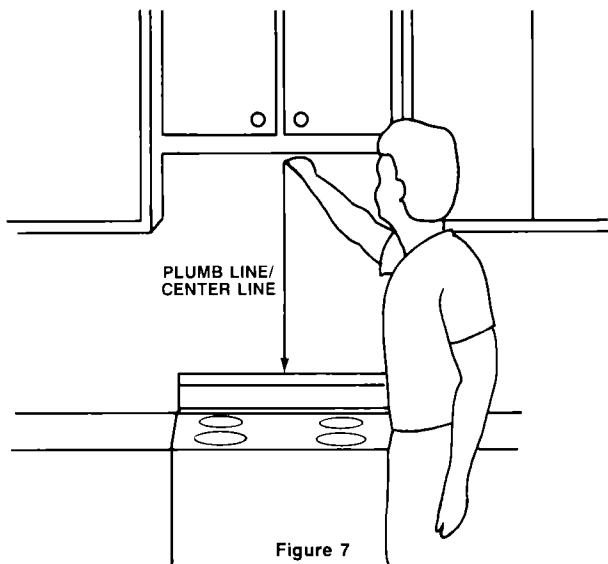
Figure 6

Installation Instructions

1. PREPARATION OF INSTALLATION AREA

1. **Warning:** Disconnect electrical power at the fuse box or circuit breaker to any circuits that could be affected by the installation of this product. Drilling or sawing operations may come in contact with wires concealed within the wall behind the unit and could result in the risk of electrical shock.
2. **Lay a protective cover** over the cooktop during installation. Do not use a plastic cover. This will help prevent damage to the cooktop if you drop anything and it will prevent dust and dirt from accumulating on the cooktop during installation.
3. **Remove contents** of top cabinet.
4. **Locate the center of the opening** where the oven is to be installed. Using a plumb line or level mark center line on wall. A plumb line may be made with any lightweight string with a weight attached to one end. (See figure 7.)

NOTE: It is important to confirm center line is centered on wall.



2. WALL AND CABINET PREPARATION FOR MOUNTING

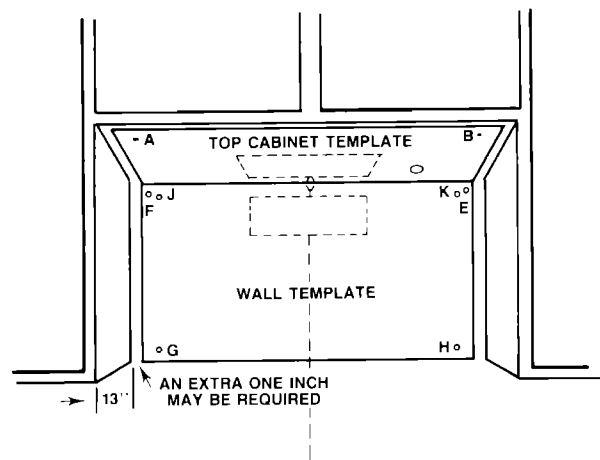
CAUTION: The microwave oven must be mounted and supported by a flat vertical wall of 2" x 4" wood studding and 3/8" minimum thickness dry wall or plaster/lath construction. (See page 2.)

Study installation templates carefully before proceeding. Trim excess material from border of templates before attaching them to the wall or cabinet.

1. **Center wall template** between side cabinets by lining up center line on wall with center line on wall template. make sure the minimum width is 30"*, and the top of the template is located a minimum of 30" above the cooking surface. Tape or tack wall template to the wall. (See figure 8.)

CAUTION:

- **If cabinet opening is not square, adjust templates to get the best fit within the opening.**
- **If front edge of cabinet is lower than the back edge, template should be adjusted to be level with front of cabinet.**
- ***If left side vertical cabinet or wall extends beyond 13", an extra one (1) inch will be required for sufficient door opening clearance. Adjust template accordingly.**



2. **Place top cabinet template** on cabinet bottom and align center line with center line of wall template. Tape or tack template to cabinet. (See figure 8.)
3. **Locate wall studs** behind the mounting surface. Studs are usually at regular intervals (spaced 16" apart) and can be located by tapping lightly on wall and listening for a solid sound. To locate center of stud, probe this area with a thin nail at the three closest template holes.

If you do not know how to locate a wall stud, consult a local building contractor for help.

CAUTION: When mounting the microwave oven to the wall, you must locate and attach the unit to a minimum of one 2" x 4" wall stud.

4. Drive a small diameter nail through the center of holes E, F, G & H of the wall template. If a wall stud is hit with the nail, remove the nail, drill 3/16" hole into the stud and use 1/4" x 2" lag screws when attaching wall back support. If you hit drywall only with the nail, drill 5/8" diameter hole and use 1/4" hollow wall anchor bolts. Insert anchor bolts through 5/8" drilled hole; grasp both strap ends firmly. (See figure 9.)

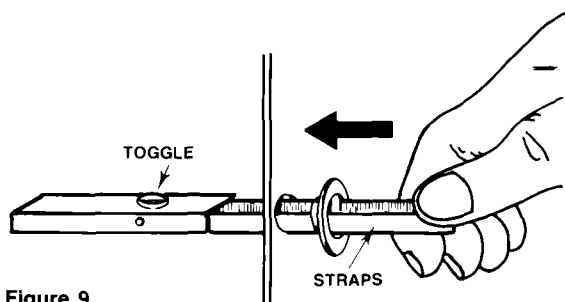


Figure 9

Pull toggle firmly against side of wall. (See figure 10.)

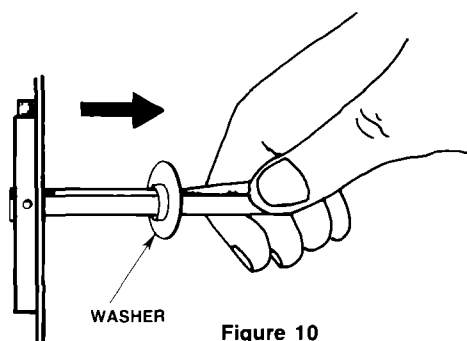


Figure 10

Slide washer along straps until inner rim of washer seats completely inside of drilled hole. (See figure 11.)

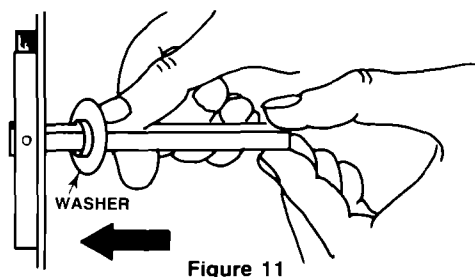


Figure 11

Snap off plastic straps flush with washer. (See figure 12.)

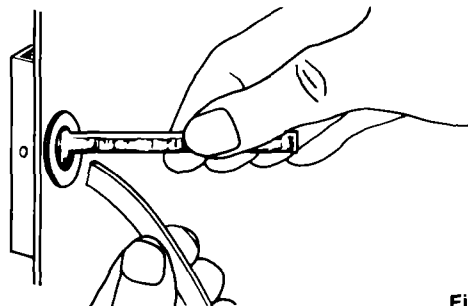


Figure 12

5. Drill at least 3/16" diameter hole for lag screw in hole pattern of wall template into one or more wall studs. **This is a must.**
6. Drill 1/2" holes J & K in upper corners of wall template. These are clearance holes for the back of the two rod fasteners.
7. Drill 1/2" holes A & B through top cabinet template and cabinet.
8. **Locate and mark** power cord clearance hole through top cabinet template. Drill or cut a 2" diameter hole.
9. **Install edge guard** (in Installation Hardware Package, see figure 4, page 4) if the top cabinet is metal. This will prevent cord from rubbing on cabinet bottom. No edge guard is required for wood cabinets.
10. **Cut opening for exhaust duct** connection (top exhaust vent or rear exhaust vent.) If you are using the Recirculating Filter Kit, **DO NOT** cut an opening in your cabinet. Refer to the Instructions located in the Recirculating Kit before proceeding.
11. Remove templates.

3 PRODUCT SEPARATION INTO OVEN AND BACK SUPPORT

1. Remove product from carton following instructions on carton. Due to some sharp edges, use caution when moving the appliance.
2. Determine how high your cabinet is above the rangetop. Cut carton along dotted line "A" for

Installation Instructions

cabinets 33" above rangetop or line "B" for cabinets 30" above rangetop.(See figure 13).

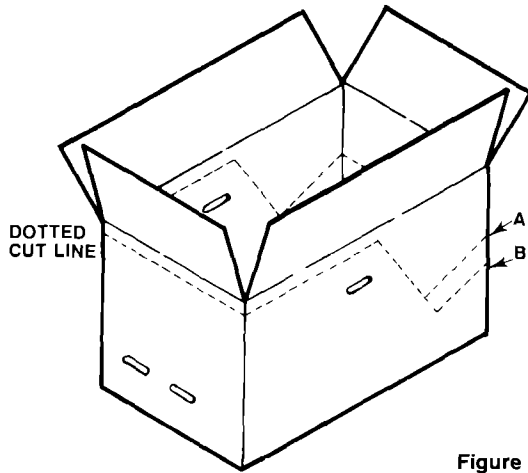


Figure 13

3. Separate carton into parts "X", "Y" and "Z". Tape bottom flaps of section "X" (See figure 14.)

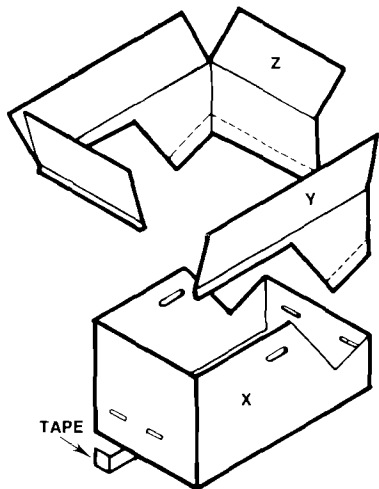


Figure 14

4. Place carton part "Y" into V cut of carton part "X". (See figure 15.)

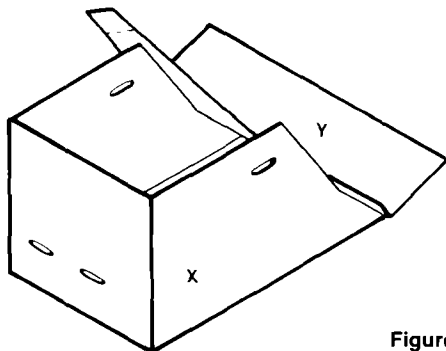


Figure 15

5. Remove the front grill from oven by removing the three screws. (See figure 16.)

NOTE: Save grill and screws for re-installation

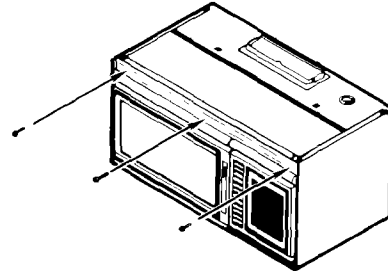


Figure 16

6. Nest oven on carton part "Y" in V cut of carton part "X" so that back of oven is facing out. (See figure 17.)

CAUTION: Make sure the door handle, fan switch knobs and light switch do not hit carton when setting oven on carton. **NOTE:** Carton may be unstable.

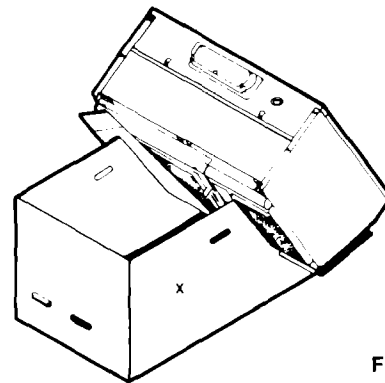


Figure 17

7. Remove back support by rotating with a flat blade screwdriver the two (2) rod fasteners a quarter turn counter clockwise until slots in rods are vertical. Slots for turning rod fasteners are the rods located in the two upper corners in front of the oven. (See figure 18.)

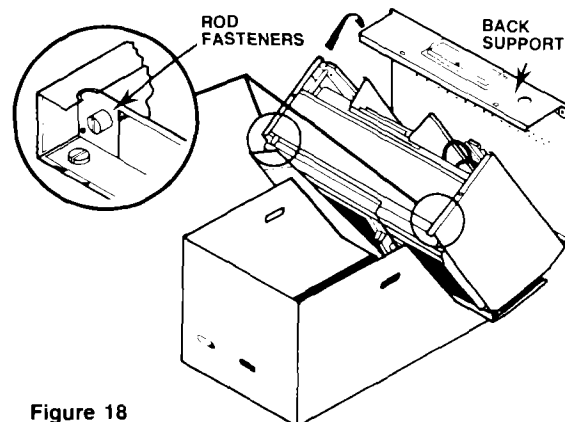


Figure 18

4. MOUNTING OVEN BACK SUPPORT

CAUTION: Be sure to remove packing tape on damper. The unit is shipped assembled for top exhaust.

Select directions for mounting back support based on type of venting being used.

A. Outside venting through top surface of unit.

1. Lift back support into place. Secure to wall with four (4) 1/4" x 1-1/2" bolts in the corners of back support. (See figure 19.)

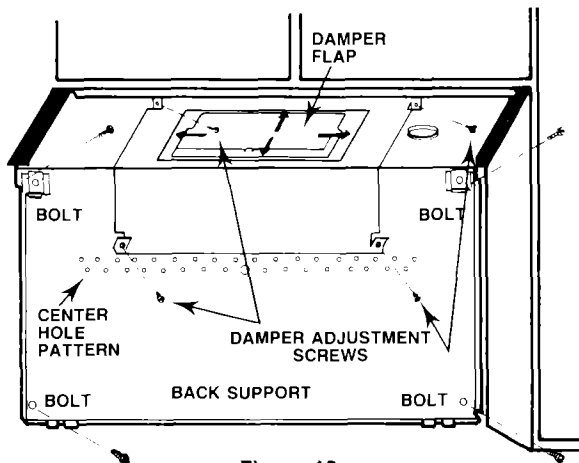


Figure 19

2. If adjustment is needed to center damper in cabinet cutout, loosen four (4) screws shown in (Figure 19), center damper and retighten.
3. Screw at least one 1/4" x 2" long lag screw into stud and tighten. (In the center hole pattern.)

CAUTION: Damper flap must swing freely.

B. Outside venting through back.

1. Remove damper and damper support by removing four (4) screws. (See figure 20).

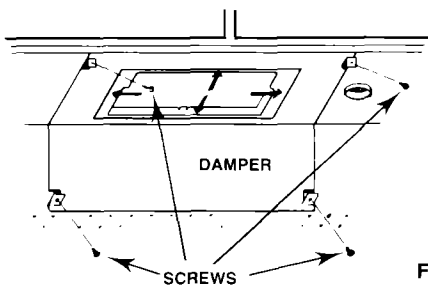


Figure 20

2. Lift back support into place. Secure to wall with four (4) 1/4" x 1-1/2" bolts in each corner of the back support. (See figure 21.)
3. Screw at least one 1/4" x 2" long lag screw into stud and tighten. (In the center hole pattern.)
4. Rotate damper and damper support so damper faces the back vent opening. Center and resecure with four (4) screws. (See figure 21.)

CAUTION: Damper flap must swing freely.

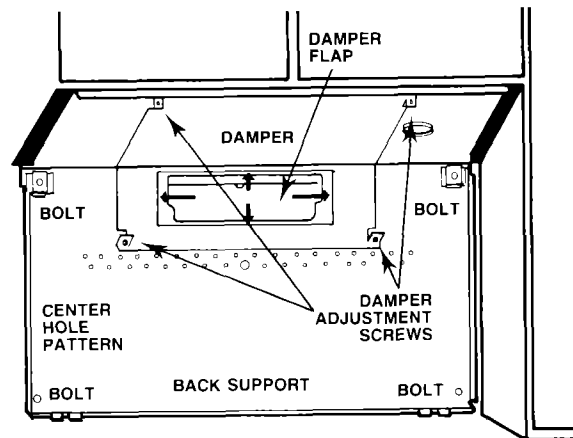


Figure 21

5. Attach the rear air duct baffle (See page 4, figure 4) to oven with two (2) plastic rivets. (See figure 22.)

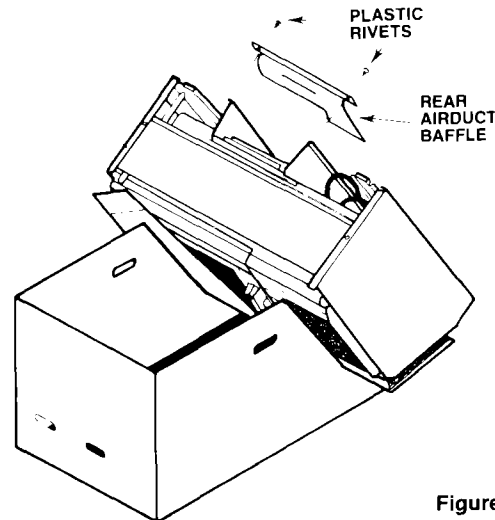


Figure 22

C. Inside venting.

Follow instructions included in the recirculating filter kit. Whirlpool kit number RCH6000, Part Number 788000. Available at your Whirlpool Dealer.

Installation Instructions

5. INSTALLING THE OVEN

CAUTION: Two people are needed to complete installation from this point.

1. Place carton part "Z" on top surface of range. (See page 7, figure 14.)
2. Lift oven and carton onto top surface of range using handholes in carton. (See figure 23.)

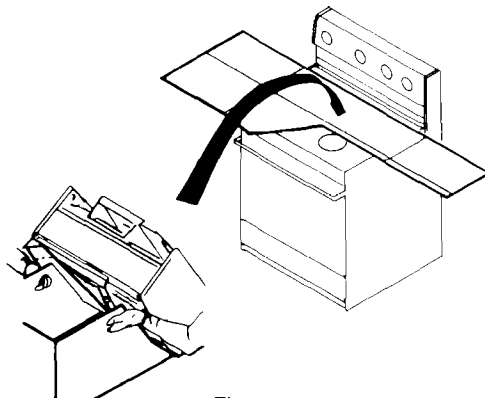


Figure 23

3. Slide carton toward range back splash until it stops. (See figure 24.)
4. Thread power cord through the hole at the bottom of top cabinet. (See figure 24.)

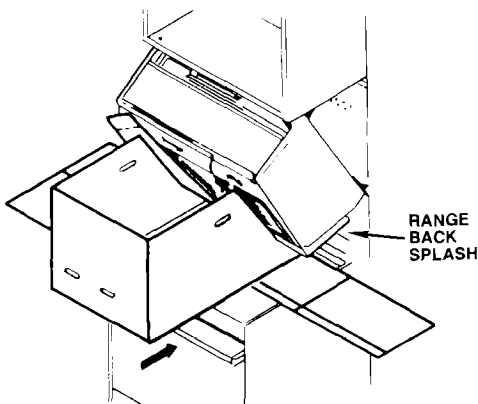


Figure 24

5. Hang the unit on the hooks at the bottom of the back support. (See figure 25.) Lift unit upward and secure by turning two (2) rod fasteners clockwise with a flat blade screwdriver a quarter turn until slot is horizontal and comes to a complete stop. Oven is now temporarily secure. (See figure 26.)

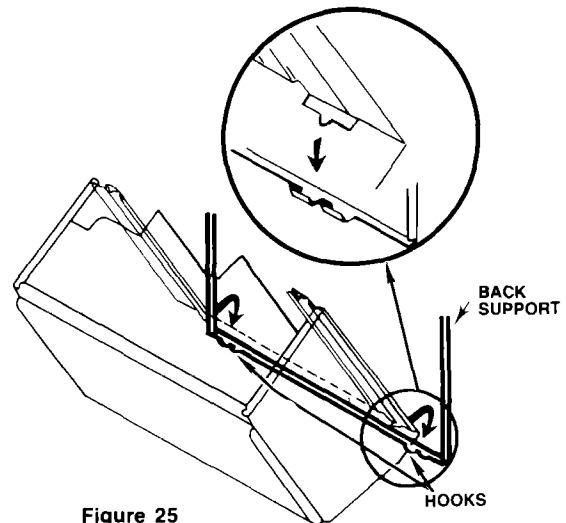


Figure 25

6. Place 5/16" diameter flat washers onto two (2) 1/4" x 1-1/2" long bolts. Screw bolts through top cabinet into cage nuts in top front corners of oven and tighten until side panels are snug to bottom of cabinet. (See figure 26.)

CAUTION: Where distance from floor of cabinet to top of oven is more than 1-1/2", two (2) 2-1/4" long bolts, provided, should be used in place of the two (2) 1-1/2" long bolts.

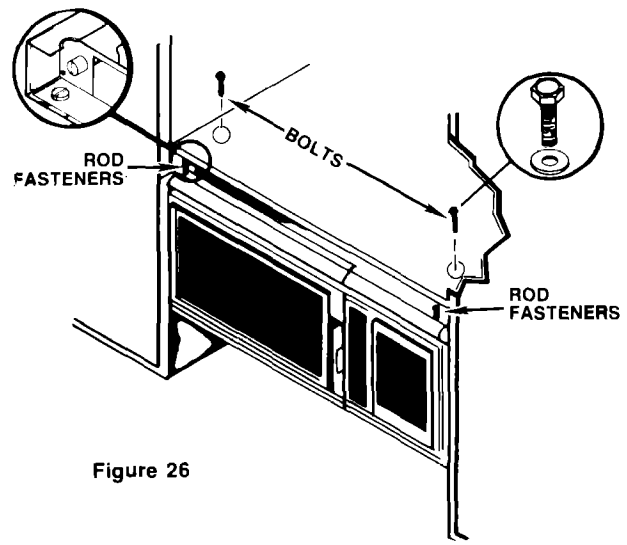


Figure 26

7. Secure excess power cord to back or side of cabinet with tie wraps and #8 x 3/8" hex head screws. (See figure 27)

CAUTION: BE SURE ALL SCREWS AND BOLTS ARE TIGHTENED.

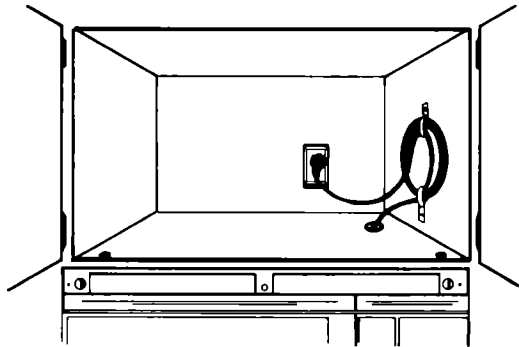


Figure 27

8. Replace front grill with three (3) screws. (See figure 28).

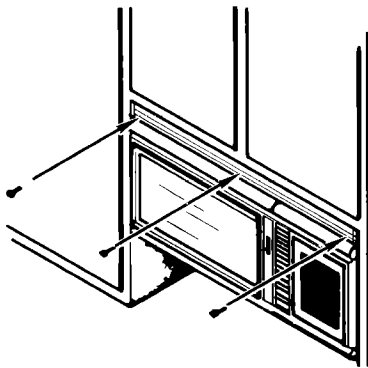


Figure 28

9. Insert light bulb, light lens and vent filter.
 - A. Place lamp prongs into each socket and roll the lamp toward the front of the oven until it stops. (See figure 29).

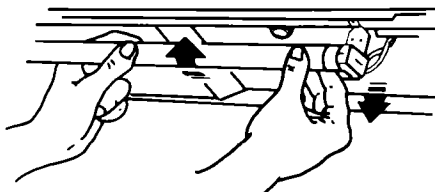


Figure 29

- B. Install light lens by fitting the second ridge from the back edge of the lens into each of the two back

side metal clips. Snap into place. Bring front edge of light lens up to front edge of oven and push sharply upward all along the front edge of the lens to snap into the front clips. (See figure 30.)

- C. Install filter by fitting the filter's front edge into the channel along with back of the light lens. Push back edge of filter up into back of opening and pull out the two mounting clips to secure the filter.

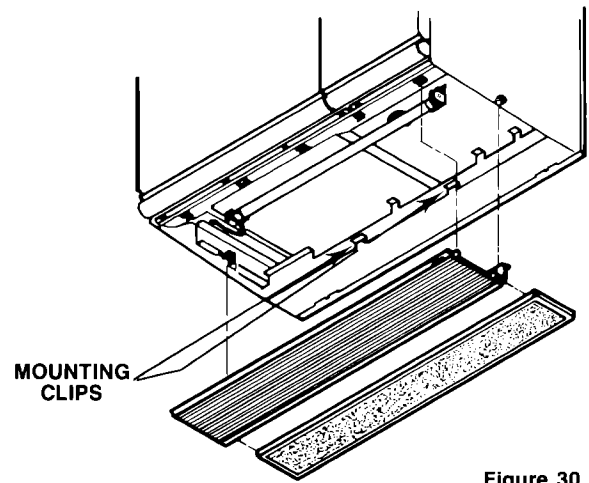


Figure 30

Installation Instructions

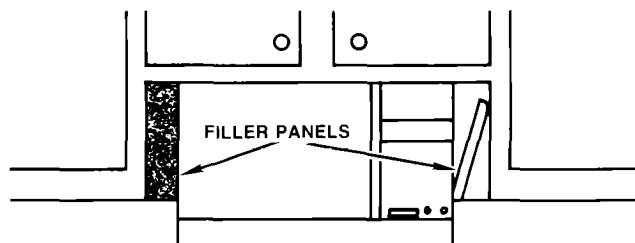
INSTALLATION CHECKLIST

- ___ 1. Check that unit is securely mounted, making sure all installation steps have been carefully followed.
- ___ 2. Remove cookbook and accessories from oven cavity.
- ___ 3. Reconnect power to circuit.
- ___ 4. Plug in power cord.
- ___ 5. Read Use and Care Manual.
- ___ 6. Put Installation Guide in convenient place for safe keeping.

ACCESSORY KITS

The Recirculating Filter Kit is used for inside ventilation. Whirlpool Kit No. RCH6000, Part No. 788000.

Filler Panels are available for use when installing this oven in a 36" or 42" wide opening. The filler panels come in pairs, each 3" wide. Whirlpool Kit No. RCK600, Part No. 788001.

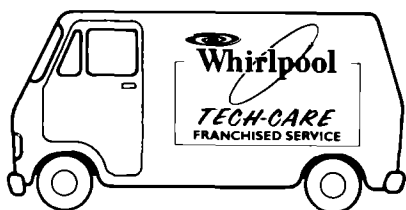


OPERATION AND CARE OF UNIT

SEE USE AND CARE GUIDE FOR COMPLETE INFORMATION



Making your world a little easier.



In the event your WHIRLPOOL appliance should need service, call the dealer from whom you purchased the appliance or a WHIRLPOOL franchised TECH-CARE® service company. He is in the Yellow Pages of your telephone directory listed under "Appliances-Household-Major-Service and Repair." You can also obtain his name and number by dialing, free, within the continental United States the Whirlpool COOL-LINE® Service (800) 253-1301. When calling from Michigan, dial (800) 632-2243; from Alaska or Hawaii, dial (800) 253-1121. Dial just as you normally dial long distance. A special operator will tell you the name and number of your nearest Whirlpool TECH-CARE service outlet. During normal working hours, Whirlpool consultants at this same number will also answer any questions about operating or maintaining your appliance not covered in your Use and Care Guide.

Learn the benefits of using TECH-CARE service for maintaining the quality originally built into your WHIRLPOOL appliance.

Part No. 42126P01/788010 Rev. B
© 1987 Whirlpool Corporation

Printed in U.S.A.

Refrigerators, Freezers, Dishwashers, Built-In Ovens and Surface Units, Ranges, Microwave

