

Dryer Installation Instructions

Instrucciones de instalación de la secadora

English / Español

Table of Contents / Índice.....3

Kenmore®

29" Wide Electric Models (U.S. Only)

Modelos de 29" Eléctrica (Solo en EE.UU.)

P/N W10096997A

Sears Brands Management Corporation
Hoffman Estates, IL 60179 U.S.A.

www.kenmore.com
www.sears.com

Sears Canada Inc.
Toronto, Ontario, Canada M5B 2B8
www.sears.ca



INSTALLATION NOTES

Date of purchase: _____

Date of installation: _____

Installer: _____

Model number: _____

Serial number: _____

NOTAS SOBRE LA INSTALACIÓN

Fecha de compra: _____

Fecha de instalación: _____

Instalador: _____

Número de modelo: _____

Número de serie: _____

DRYER SAFETY

Your safety and the safety of others are very important.

We have provided many important safety messages in this manual and on your appliance. Always read and obey all safety messages.



This is the safety alert symbol.

This symbol alerts you to potential hazards that can kill or hurt you and others.

All safety messages will follow the safety alert symbol and either the word "DANGER" or "WARNING."

These words mean:

⚠ DANGER

You can be killed or seriously injured if you don't immediately follow instructions.

⚠ WARNING

You can be killed or seriously injured if you don't follow instructions.

All safety messages will tell you what the potential hazard is, tell you how to reduce the chance of injury, and tell you what can happen if the instructions are not followed.



WARNING - "Risk of Fire"

- Clothes dryer installation must be performed by a qualified installer.
- Install the clothes dryer according to the manufacturer's instructions and local codes.
- Do not install a clothes dryer with flexible plastic venting materials. If flexible metal (foil type) duct is installed, it must be of a specific type identified by the appliance manufacturer as suitable for use with clothes dryers. Flexible venting materials are known to collapse, be easily crushed, and trap lint. These conditions will obstruct clothes dryer airflow and increase the risk of fire.
- To reduce the risk of severe injury or death, follow all installation instructions.
- Save these instructions.

Table of Contents

<p>DRYER SAFETY 2</p> <p>INSTALLATION REQUIREMENTS 3</p> <p style="padding-left: 20px;">Tools and Parts 3</p> <p style="padding-left: 20px;">Location Requirements 4</p> <p style="padding-left: 20px;">Electrical Requirements 5</p> <p>INSTALL LEVELING LEGS 6</p> <p>ELECTRICAL CONNECTION 7</p> <p>VENTING 13</p> <p style="padding-left: 20px;">Venting Requirements 13</p>	<p>Plan Vent System 14</p> <p>Venting Kits 15</p> <p>Install Vent System 15</p> <p>Connect Vent 15</p> <p>LEVEL DRYER 16</p> <p>COMPLETE INSTALLATION CHECKLIST 17</p> <p>REVERSE DOOR SWING (OPTIONAL) 17</p> <p>TROUBLESHOOTING 20</p> <p>ASSISTANCE OR SERVICE Back Cover</p>
---	---

Índice

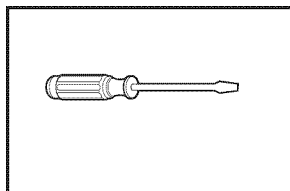
<p>SEGURIDAD DE LA SECADORA 21</p> <p>REQUISITOS DE INSTALACIÓN 22</p> <p style="padding-left: 20px;">Herramientas y piezas 22</p> <p style="padding-left: 20px;">Requisitos de ubicación 23</p> <p style="padding-left: 20px;">Requisitos eléctricos 24</p> <p>INSTALACIÓN DE LAS PATAS NIVELADORAS 25</p> <p>CONEXIÓN ELÉCTRICA 26</p> <p>VENTILACIÓN 32</p> <p style="padding-left: 20px;">Requisitos de ventilación 32</p>	<p>Planificación del sistema de ventilación 33</p> <p>Juegos de ventilación 33</p> <p>Instalación del sistema de ventilación 34</p> <p>Conexión del ducto de escape 35</p> <p>NIVELACIÓN DE LA SECADORA 35</p> <p>LISTA DE CONTROL DE LA INSTALACIÓN TERMINADA 36</p> <p>CAMBIO DEL SENTIDO DE ABERTURA DE LA PUERTA 36</p> <p>SOLUCIÓN DE PROBLEMAS 40</p> <p>AYUDA O SERVICIO TÉCNICO Contraportada</p>
---	--

INSTALLATION REQUIREMENTS

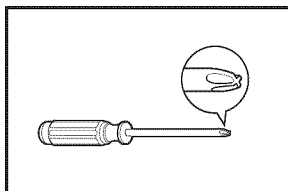
Tools and Parts

Gather the required tools and parts before starting installation. Read and follow the instructions provided with any tools listed here.

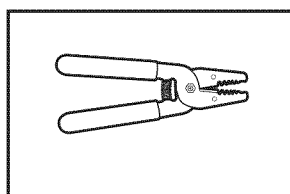
Tools needed:



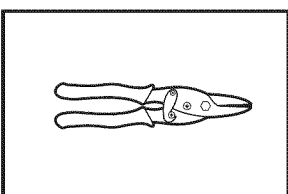
Flat-blade screwdriver (magnetized)



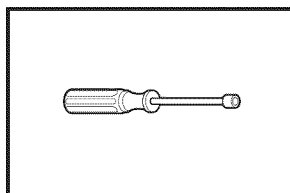
#2 Phillips screwdriver (magnetized)



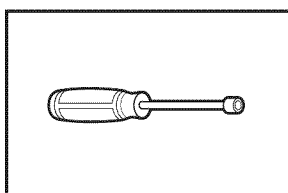
Wire stripper (direct wire installations)



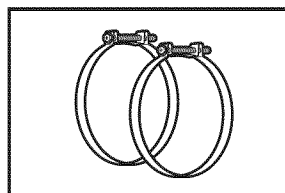
Tin snips (new vent installations)



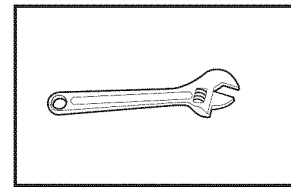
1/4" nut driver (recommended)



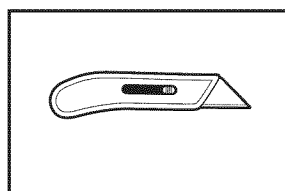
5/16" nut driver or socket wrench (to remove ground screw for 4-wire connections)



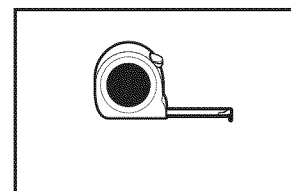
Vent clamps



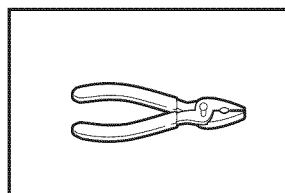
Adjustable wrench that opens to 1" (25 mm) or hex-head socket wrench



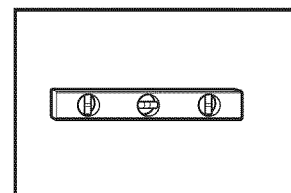
Utility knife



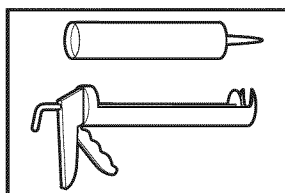
Tape measure



Pliers

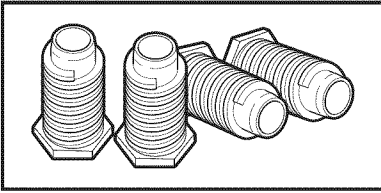


Level



Caulking gun and compound (for installing new exhaust vent)

Parts supplied:



Leveling legs (4)

Parts package is located in dryer drum. Check that all parts are included.

Parts needed:

Check local codes. Check existing electrical supply and venting, and read "Electrical Requirements" and "Venting Requirements" before purchasing parts.

Mobile home installations require metal exhaust system hardware, available for purchase from the dealer from whom you purchased your dryer. For further information, please reference the "Assistance or Service" section of your "Use and Care Guide".

If using a power supply cord:

Use a UL listed power supply cord kit marked for use with clothes dryers. The kit should contain:

- A UL listed 30-amp power supply cord, rated 120/240 volt minimum. The cord should be type SRD or SRDT and be at least 4 ft. (1.22 m) long. The wires that connect to the dryer must end in ring terminals or spade terminals with upturned ends.
- A UL listed strain relief.

Location Requirements

⚠ WARNING



Explosion Hazard

Keep flammable materials and vapors, such as gasoline, away from dryer.

Place dryer at least 18 inches (460 mm) above the floor for a garage installation.

Failure to do so can result in death, explosion, or fire.

You will need:

- A location allowing for proper exhaust installation. See "Venting Requirements."
- A separate 30 amp circuit.

- If you are using power supply cord, a grounded electrical outlet located within 2 ft. (610 mm) of either side of dryer. See "Electrical Requirements."
- A sturdy floor to support the total weight (dryer and load) of 200 lbs. (90.7 kg). The combined weight of a companion appliance should also be considered.
- Level floor with maximum slope of 1" (25 mm) under entire dryer. (If slope is greater than 1" [25 mm], install Extended Dryer Feet Kit, Part Number 279810.) If not level, clothes may not tumble properly and automatic sensor cycles may not operate correctly.

Do not operate your dryer at temperatures below 45°F (7°C). At lower temperatures, the dryer might not shut off at the end of an automatic cycle. Drying times can be extended.

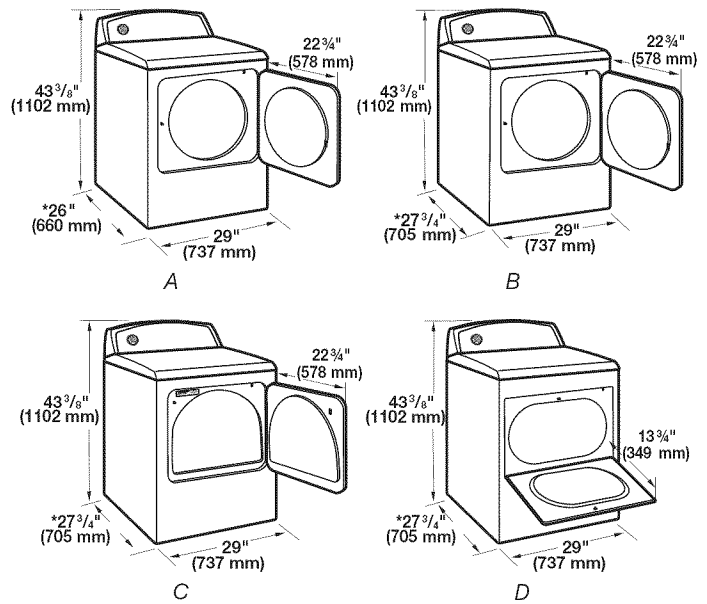
The dryer must not be installed or stored in an area where it will be exposed to water and/or weather.

Check code requirements. Some codes limit, or do not permit, installation of the dryer in garages, closets, mobile homes, or sleeping quarters. Contact your local building inspector.

Installation clearances:

The location must be large enough to allow the dryer door to open fully.

Dryer Dimensions



A. Large opening side-swing door
B. Large opening side-swing door
C. Wide opening side-swing door
D. Wide opening hamper door

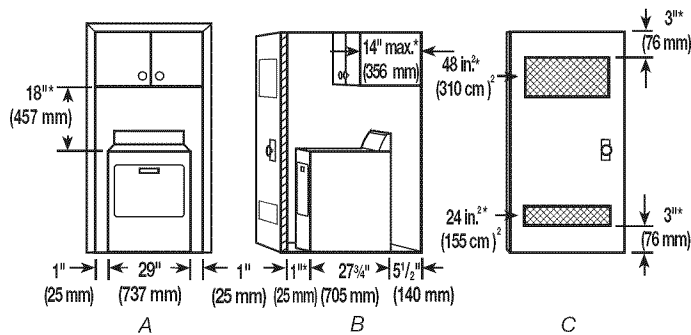
*Most installations require a minimum 5½" (140 mm) clearance behind the dryer for the exhaust vent with elbow. See "Venting Requirements."

Minimum spacing for recessed area or closet installation

The dimensions shown following are for the minimum spacing allowed.

- Additional spacing should be considered for ease of installation and servicing.
- Additional clearances might be required for wall, door, and floor moldings.
- Additional spacing of 1" (25 mm) on all sides of the dryer is recommended to reduce noise transfer.
- For closet installation, with a door, minimum ventilation openings in the top and bottom of the door are required. Louvered doors with equivalent ventilation openings are acceptable.
- Companion appliance spacing should also be considered.

Minimum Installation Spacing



A. Recessed area
B. Side view - closet or confined area
C. Closet door with vents

*Additional spacing is recommended.

Mobile home - Additional installation requirements

This dryer is suitable for mobile home installations. The installation must conform to the Manufactured Home Construction and Safety Standard, Title 24 CFR, Part 3280 (formerly the Federal Standard for Mobile Home Construction and Safety, Title 24, HUD Part 280) or the Canadian Manufactured Home Standard CAN/CSA-Z240 MH.

- Metal exhaust system hardware, available for purchase. For further information, please reference the "Assistance or Service" section of your "Use and Care Guide."
- Special provisions must be made in mobile homes to introduce outside air into the dryer. The opening (such as a nearby window) should be at least twice as large as the dryer exhaust opening.

Electrical Requirements

It is your responsibility:

- To contact a qualified electrical installer.
- To be sure that the electrical connection is adequate and in conformance with the National Electrical Code, ANSI/NFPA 70-latest edition and all local codes and ordinances.

The National Electrical Code requires a 4-wire power supply connection for homes built after 1996, dryer circuits involved in remodeling after 1996, and all mobile home installations.

A copy of the above code standards can be obtained from: National Fire Protection Association, One Batterymarch Park, Quincy, MA 02269.

- To supply the required 3 or 4 wire, single phase, 120/240 volt, 60 Hz, AC only electrical supply (or 3 or 4 wire, 120/208 volt electrical supply, if specified on the serial/rating plate) on a separate 30-amp circuit, fused on both sides of the line. A time-delay fuse or circuit breaker is recommended. Connect to an individual branch circuit. Do not have a fuse in the neutral or grounding circuit.
- Do not use an extension cord.
- If codes permit and a separate ground wire is used, it is recommended that a qualified electrician determine that the ground path is adequate.

Electrical Connection

To properly install your dryer, you must determine the type of electrical connection you will be using and follow the instructions provided for it here.

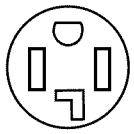
- If local codes do not permit the connection of a neutral ground wire to the neutral wire, see "Optional 3-wire connection" section.
- This dryer is manufactured ready to install with a 3-wire electrical supply connection. The neutral ground wire is permanently connected to the neutral conductor (white wire) within the dryer. If the dryer is installed with a 4-wire electrical supply connection, the neutral ground wire must be removed from the external ground connector screw (green screw), and secured under the neutral terminal (center or white wire) of the terminal block. When the neutral ground wire is secured under the neutral terminal (center or white wire) of the terminal block, the dryer cabinet is isolated from the neutral conductor.
- A 4-wire power supply connection must be used when the dryer is installed in a location where grounding through the neutral conductor is prohibited. Grounding through the neutral is prohibited for (1) new branch-circuit installations, (2) mobile homes, (3) recreational vehicles, and (4) areas where local codes prohibit grounding through the neutral conductors.

If using a power supply cord:

Use a UL listed power supply cord kit marked for use with clothes dryers. The kit should contain:

- A UL listed 30-amp power supply cord, rated 120/240 volt minimum. The cord should be type SRD or SRDT and be at least 4 ft. (1.22 m) long. The wires that connect to the dryer must end in ring terminals or spade terminals with upturned ends.
- A UL listed strain relief.

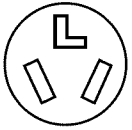
If your outlet looks like this:



4-wire receptacle
(14-30R)

Then choose a 4-wire power supply cord with ring or spade terminals and UL listed strain relief. The 4-wire power supply cord, at least 4 ft. (1.22 m) long, must have four 10-gauge solid copper wires and match a 4-wire receptacle of NEMA Type 14-30 R. The ground wire (ground conductor) may be either green or bare. The neutral conductor must be identified by a white cover.

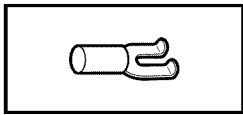
If your outlet looks like this:



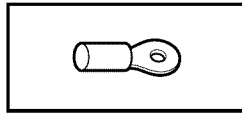
3-wire receptacle
(10-30R)

Then choose a 3-wire power supply cord with ring or spade terminals and UL listed strain relief. The 3-wire power supply cord, at least 4 ft. (1.22 m) long, must have three 10-gauge solid copper wires and match a 3-wire receptacle of NEMA Type 10-30R.

Choose a standard power supply cord connector:



Flanged spade
connectors



Ring connectors

If connecting by direct wire:

Power supply cable must match power supply (4-wire or 3-wire) and be:

- Flexible armored cable or nonmetallic sheathed copper cable (with ground wire), covered with flexible metallic conduit. All current-carrying wires must be insulated.
- 10-gauge solid copper wire (do not use aluminum).
- At least 5 ft. (1.52 m) long.

GROUNDING INSTRUCTIONS

- For a grounded, cord-connected dryer:
This dryer must be grounded. In the event of malfunction or breakdown, grounding will reduce the risk of electric shock by providing a path of least resistance for electric current. This dryer uses a cord having an equipment-grounding conductor and a grounding plug. The plug must be plugged into an appropriate outlet that is properly installed and grounded in accordance with all local codes and ordinances.
- For a permanently connected dryer:
This dryer must be connected to a grounded metal, permanent wiring system, or an equipment-grounding conductor must be run with the circuit conductors and connected to the equipment-grounding terminal or lead on the dryer.

WARNING: Improper connection of the equipment-grounding conductor can result in a risk of electric shock. Check with a qualified electrician or service representative or personnel if you are in doubt as to whether the dryer is properly grounded. Do not modify the plug on the power supply cord: if it will not fit the outlet, have a proper outlet installed by a qualified electrician.

SAVE THESE INSTRUCTIONS

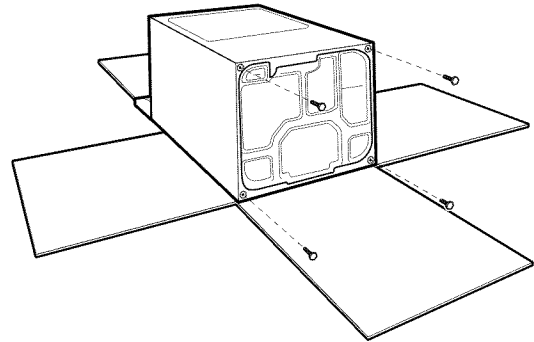
INSTALL LEVELING LEGS

⚠ WARNING

Excessive Weight Hazard

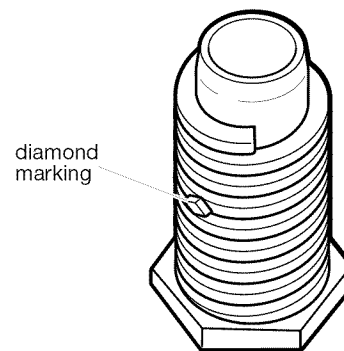
Use two or more people to move and install dryer.
Failure to do so can result in back or other injury.

1. Prepare dryer for leveling legs



To avoid damaging floor, use a large flat piece of cardboard from dryer carton; place under entire back edge of dryer. Firmly grasp dryer body (not console panel) and gently lay dryer down on cardboard.

2. Screw in leveling legs



Examine leveling legs, find diamond marking. Screw legs into leg holes by hand, use a wrench to finish turning legs until diamond marking is no longer visible.

Now stand the dryer on its feet. Slide the dryer until it is close to its final location. Leave enough room to connect the exhaust vent.

ELECTRICAL CONNECTION

Power Supply Cord

WARNING



Fire Hazard

Use a new UL listed 30 amp power supply cord.

Use a UL listed strain relief.

Disconnect power before making electrical connections.

Connect neutral wire (white or center wire) to center terminal (silver).

Ground wire (green or bare wire) must be connected to green ground connector.

Connect remaining 2 supply wires to remaining 2 terminals (gold).

Securely tighten all electrical connections.

Failure to do so can result in death, fire, or electrical shock.

Direct Wire

WARNING



Fire Hazard

Use 10 gauge copper wire.

Use a UL listed strain relief.

Disconnect power before making electrical connections.

Connect neutral wire (white or center wire) to center terminal (silver).

Ground wire (green or bare wire) must be connected to green ground connector.

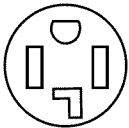
Connect remaining 2 supply wires to remaining 2 terminals (gold).

Securely tighten all electrical connections.

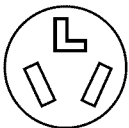
Failure to do so can result in death, fire, or electrical shock.

Electrical Connection Options

1. Choose electrical connection type



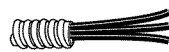
Power supply cord 4-wire receptacle (NEMA Type 14-30R):
Go to "Power Supply Cord Connection".



Power supply cord 3-wire receptacle (NEMA Type 10-30R):
Go to "Power Supply Cord Connection".



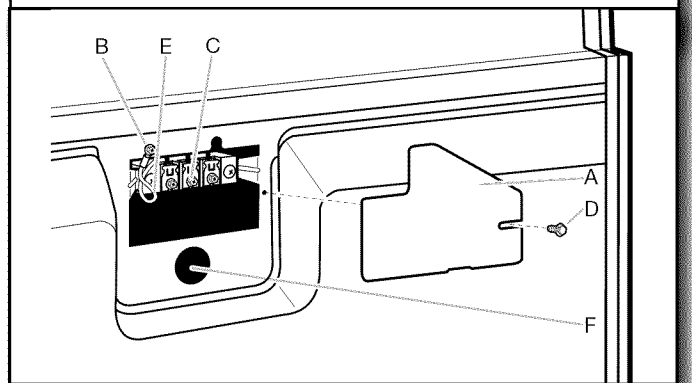
4-wire direct connection:
Go to "Direct Wire Connection".



3-wire direct connection:
Go to "Direct Wire Connection".

NOTE: If local codes do not permit connection of a cabinet-ground conductor to neutral wire, go to "Optional 3-wire connection." This connection may be used with either a power supply cord or a direct wire connection.

2. Remove terminal block cover



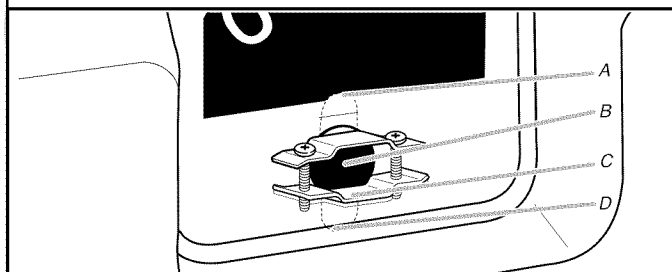
Before you start, disconnect power. Remove hold-down screw (D) and terminal block cover (A).

- A. Terminal block cover
- B. External ground conductor screw
- C. Center terminal block screw
- D. Hold-down screw
- E. Neutral ground wire
- F. Hole below terminal block cover

Power Supply Cord Connection

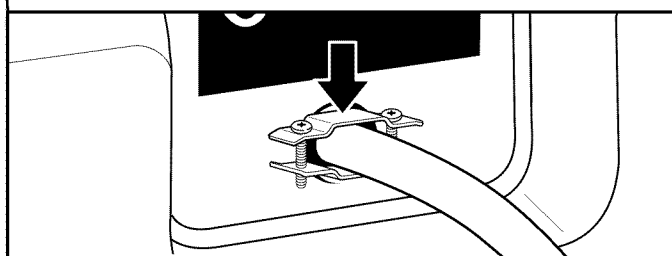
Power supply cord strain relief

1. Attach power supply cord strain relief



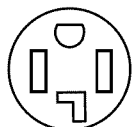
Remove the screws from a 3/4" (19 mm) UL listed strain relief (UL marking on strain relief). Put the tabs of the two clamp sections (C) into the hole below the terminal block opening (B) so that one tab is pointing up (A) and the other is pointing down (D), and hold in place. Tighten strain relief screws just enough to hold the two clamp sections (C) together.

2. Attach power supply cord to strain relief

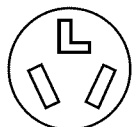


Put power supply cord through the strain relief. Be sure that the wire insulation on the power supply cord is inside the strain relief. The strain relief should have a tight fit with the dryer cabinet and be in a horizontal position. Do not further tighten strain relief screws at this point.

If your outlet looks like this:



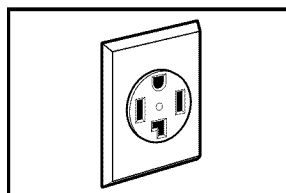
Power supply cord 4-wire receptacle (NEMA Type 14-30R);
Go to "4-Wire Power Supply Cord Connection" on this page.



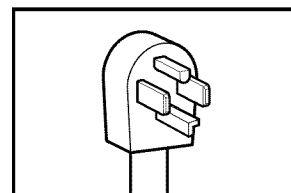
Power supply cord 3-wire receptacle (NEMA Type 10-30R);
Go to "3-Wire Power Supply Cord Connection" on page 9.

4-wire Power Supply Cord Connection

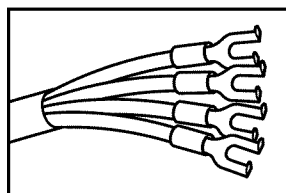
IMPORTANT: A 4-wire connection is required for mobile homes and where local codes do not permit the use of 3-wire connections.



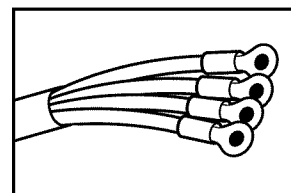
4-wire receptacle (NEMA type 14-30R)



4-prong plug

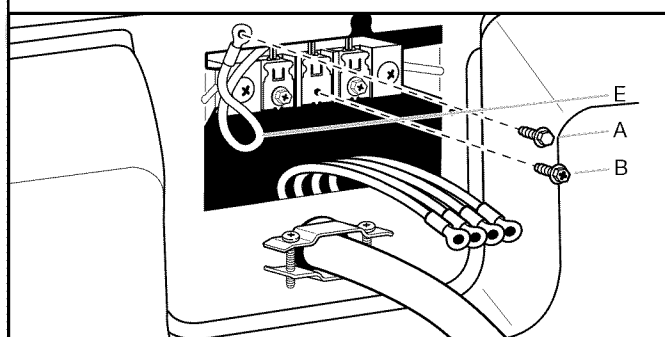


Spade terminals with upturned ends



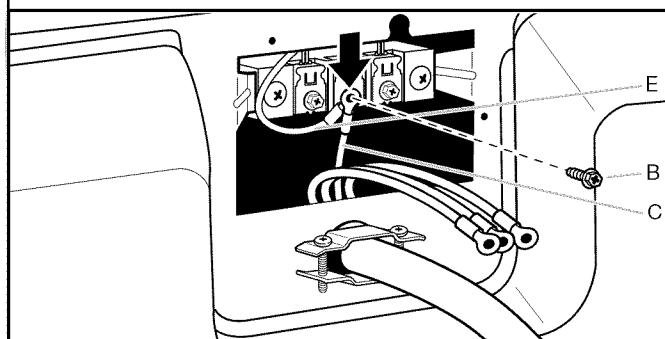
Ring terminals

1. Prepare to connect neutral ground wire and neutral wire



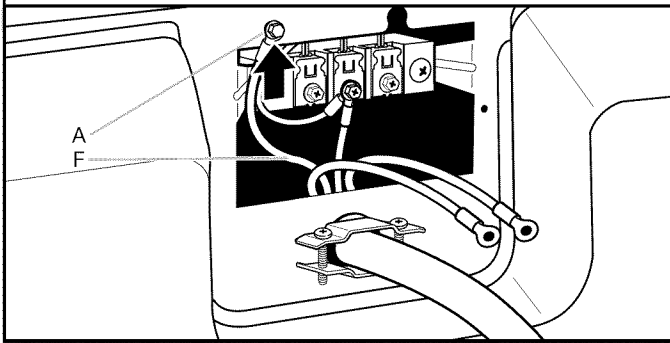
Remove center terminal block screw (B). Remove neutral ground wire (E) from external ground conductor screw (A).

2. Connect neutral ground wire and neutral wire



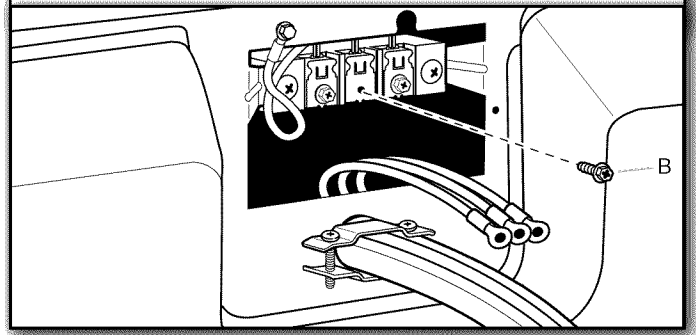
Connect neutral ground wire (E) and neutral wire (white) (C) of power supply cord under center terminal block screw (B). Tighten screw.

3. Connect ground wire



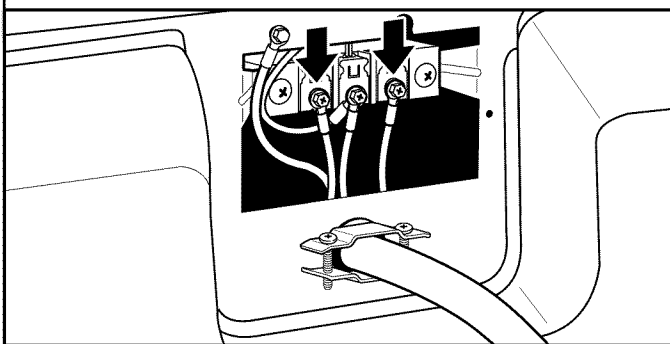
Connect ground wire (F) (green or bare) of power supply cord to external ground conductor screw (A). Tighten screw.

1. Remove center screw



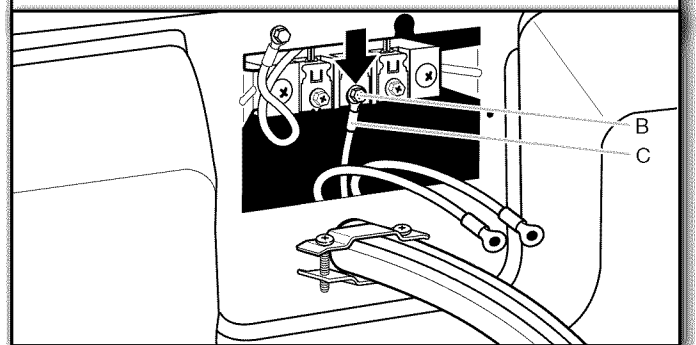
Remove center terminal block screw (B).

4. Connect remaining wires



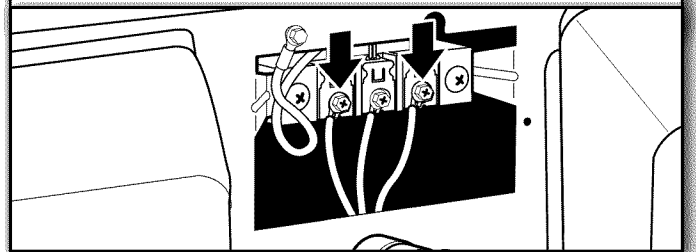
Connect remaining wires to outer terminal block screws. Tighten screws. Finally, reinsert tab of terminal block cover into slot of dryer rear panel. Secure cover with hold-down screw. Now, go to "Venting Requirements".

2. Connect neutral wire



Connect neutral wire (white or center) (C) of power supply cord to center terminal block screw (B). Tighten screw.

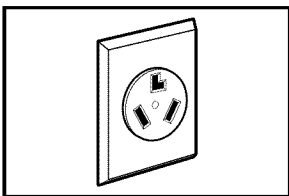
3. Connect remaining wires



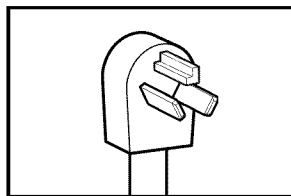
Connect remaining wires to outer terminal block screws. Tighten screws. Finally, reinsert tab of terminal block cover into slot of dryer rear panel. Secure cover with hold-down screw. Now, go to "Venting Requirements".

3-wire Power Supply Cord Connection

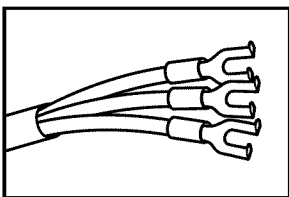
Use where local codes permit connecting cabinet-ground conductor to neutral wire.



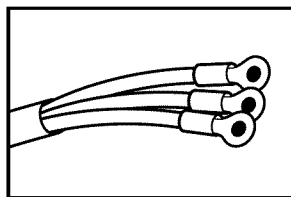
3-wire receptacle (NEMA type 10-30R)



3-prong plug



Spade terminals with upturned ends

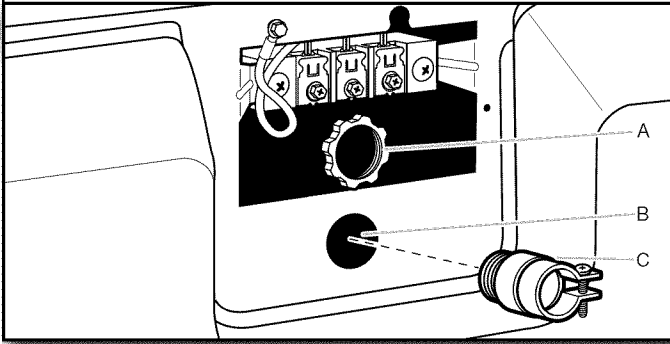


Ring terminals

Direct Wire Connection

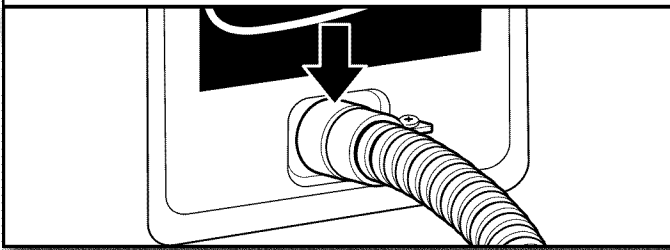
Direct wire strain relief

1. Attach direct wire strain relief



Unscrew the removable conduit connector (A) and any screws from a 3/4" (19 mm) UL listed strain relief (UL marking on strain relief). Put the threaded section of the strain relief (C) through the hole below the terminal block opening (B). Reaching inside the terminal block opening, screw the removable conduit connector (A) onto the strain relief threads.

2. Attach direct wire cable to strain relief



Put direct wire cable through the strain relief. The strain relief should have a tight fit with the dryer cabinet and be in a horizontal position. Tighten strain relief screw against the direct wire cable.

If your wiring looks like this:



4-wire direct connection:
Go to "4-Wire Direct Connection" on this page.

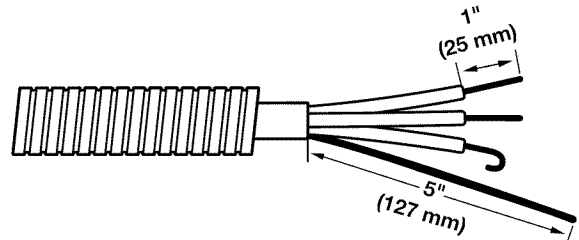


3-wire direct connection:
Go to "3-Wire Direct Connection" on page 11.

4-wire Direct Wire Connection

IMPORTANT: A 4-wire connection is required for mobile homes and where local codes do not permit 3-wire connections.

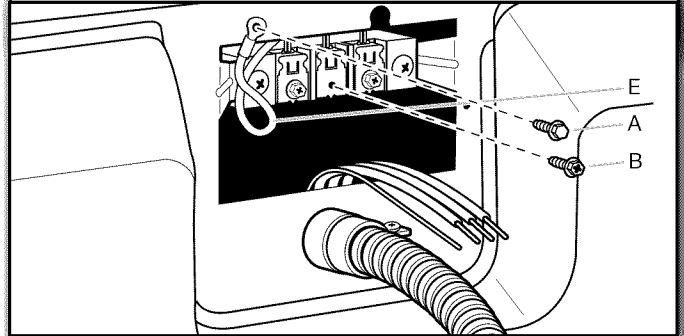
1. Prepare your 4-wire cable for direct connection



Direct wire cable must have 5 ft. (1.52 m) of extra length so dryer may be moved if needed.

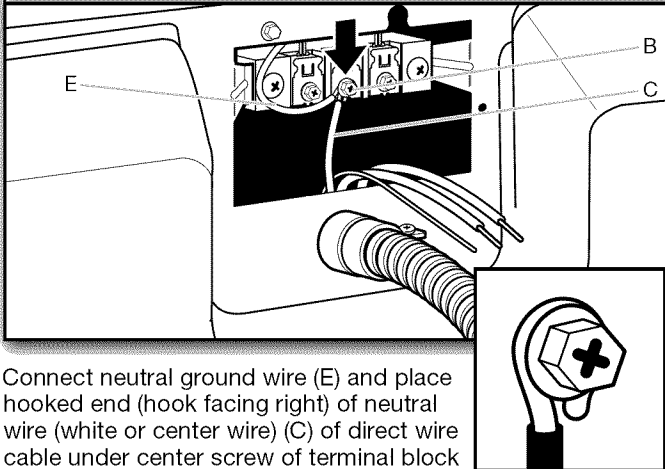
Strip 5" (127 mm) of outer covering from end of cable, leaving bare ground wire at 5" (127 mm). Cut 1 1/2" (38 mm) from remaining 3 wires. Strip insulation back 1" (25 mm). Shape ends of wires into hooks.

2. Prepare to connect neutral ground wire and neutral wire



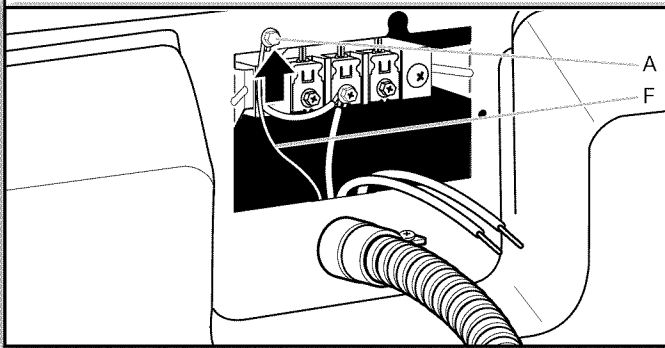
Remove center terminal block screw (B). Remove neutral ground wire (E) from external ground conductor screw (A).

3. Connect neutral ground wire and neutral wire



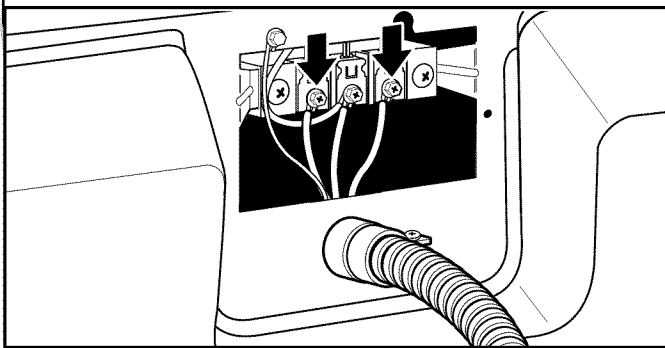
Connect neutral ground wire (E) and place hooked end (hook facing right) of neutral wire (white or center wire) (C) of direct wire cable under center screw of terminal block (B). Squeeze hooked ends together and tighten screw.

4. Connect ground wire



Connect ground wire (green or bare) (F) of direct wire cable to external ground conductor screw (A). Tighten screw.

5. Connect remaining wires

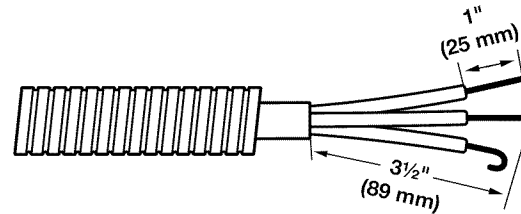


Place hooked ends of remaining direct wire cable wires under outer terminal block screws (hooks facing right). Squeeze hooked ends together and tighten screws. Finally, reinsert tab of terminal block cover into slot of dryer rear panel. Secure cover with hold-down screw. Now, go to "Venting Requirements".

3-wire Direct Wire Connection

Use where local codes permit connecting cabinet-ground conductor to neutral wire.

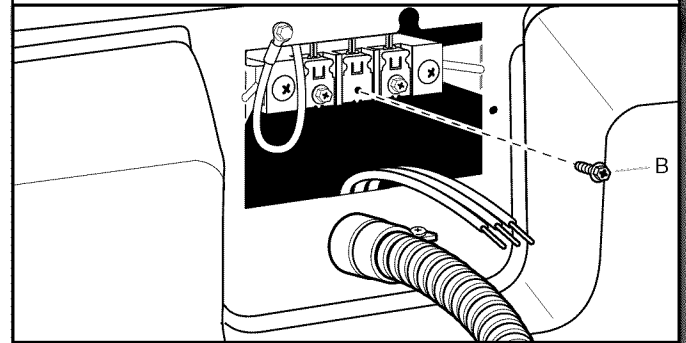
1. Prepare your 3-wire cable for direct connection



Direct wire cable must have 5 ft. (1.52 m) of extra length so dryer may be moved if needed.

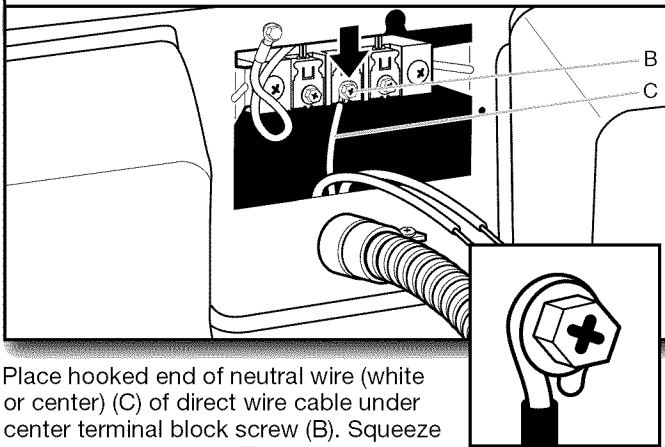
Strip 3 1/2" (89 mm) of outer covering from end of cable. Strip insulation back 1" (25 mm). If using 3-wire cable with ground wire, cut bare wire even with outer covering. Shape wire ends into hooks.

2. Remove center screw



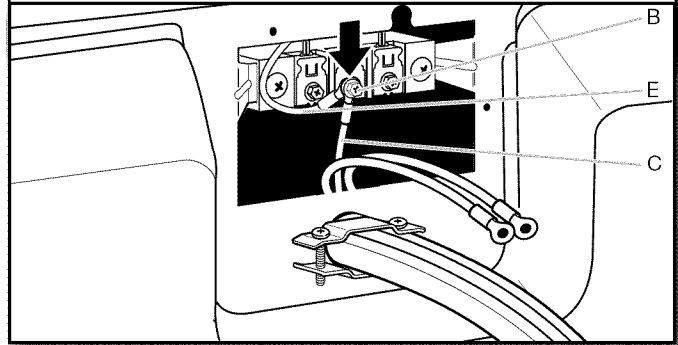
Remove center terminal block screw (B).

3. Connect neutral wire



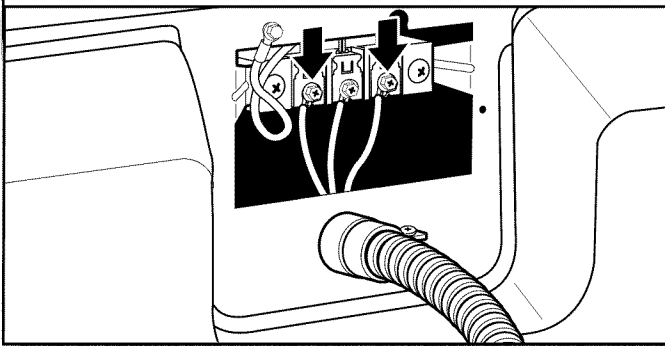
Place hooked end of neutral wire (white or center) (C) of direct wire cable under center terminal block screw (B). Squeeze hooked end together. Tighten screw.

2. Connect neutral ground wire and neutral wire



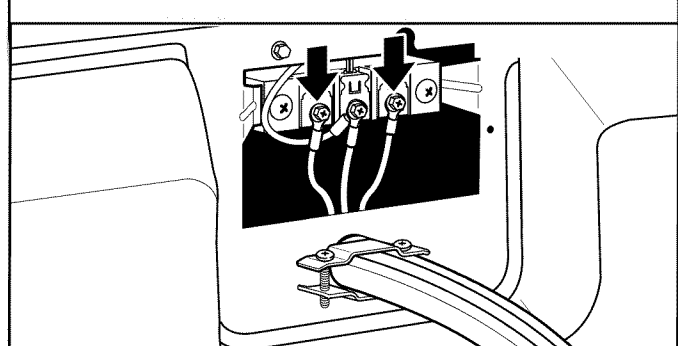
Connect neutral ground wire (E) and neutral wire (white or center wire) (C) of power supply cord or cable under center terminal block screw (B). Tighten screw.

4. Connect remaining wires



Place hooked ends of remaining direct wire cable wires under outer terminal block screws (hooks facing right). Squeeze hooked ends together and tighten screws. Finally, reinsert tab of terminal block cover into slot of dryer rear panel. Secure cover with hold-down screw. Now, go to "Venting Requirements".

3. Connect remaining wires

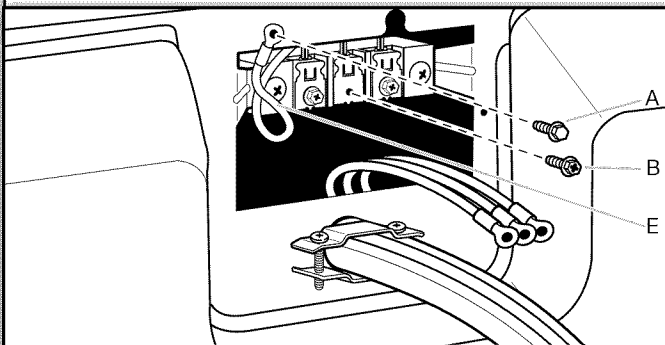


Place hooked ends of remaining wires under outer terminal block screws (hooks facing right). Tighten screws.

Optional 3-wire Connection

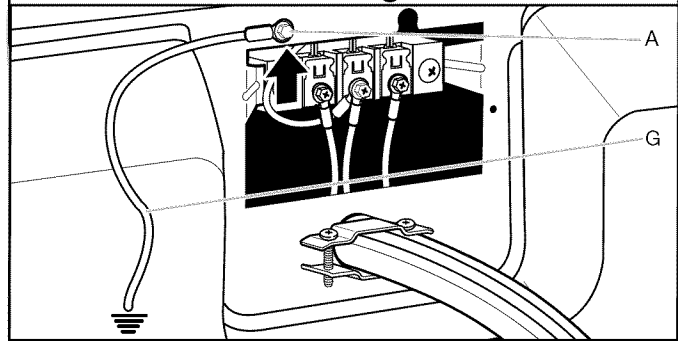
You must verify with a qualified electrician that this grounding method is acceptable before connecting.

1. Prepare to connect neutral ground wire and neutral wire



Remove center terminal block screw (B). Remove neutral ground wire (E) from external ground conductor screw (A).

4. Connect external ground wire



Connect a separate copper ground wire (G) from the external ground conductor screw (A) to an adequate ground. Finally, reinsert tab of terminal block cover into slot of dryer rear panel. Secure cover with hold-down screw. Now, go to "Venting Requirements".

VENTING

Venting Requirements

WARNING



Fire Hazard

Use a heavy metal vent.

Do not use a plastic vent.

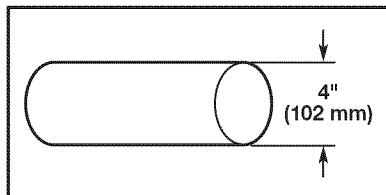
Do not use a metal foil vent.

Failure to follow these instructions can result in death or fire.

WARNING: To reduce the risk of fire, this dryer MUST BE EXHAUSTED OUTDOORS.

IMPORTANT: Observe all governing codes and ordinances.

Dryer exhaust must not be connected into any gas vent, chimney, wall, ceiling, attic, crawlspace, or a concealed space of a building. Only rigid or flexible metal vent shall be used for exhausting.



4" (102 mm) heavy metal exhaust vent

- Only a 4" (102 mm) heavy metal exhaust vent and clamps may be used.
- Do not use plastic or metal foil vent.

Rigid metal vent:

- Recommended for best drying performance and to avoid crushing and kinking.

Flexible metal vent: (Acceptable only if accessible to clean)

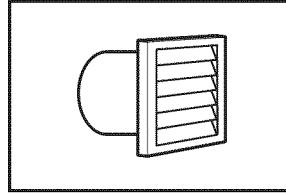
- Must be fully extended and supported in final dryer location.
- Remove excess to avoid sagging and kinking that may result in reduced airflow and poor performance.
- Do not install in enclosed walls, ceilings, or floors.
- The total length should not exceed 7 ³/₄ ft. (2.4 m).

NOTE: If using an existing vent system, clean lint from entire length of the system and make sure exhaust hood is not plugged with lint. Replace plastic or metal foil vents with rigid metal or flexible metal vents. Review Vent System Chart and if necessary, modify existing vent system to achieve best drying performance.

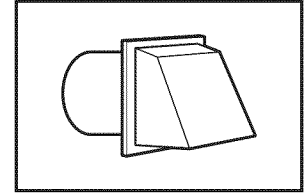
Exhaust hoods:

- Must be at least 12" (305 mm) from ground or any object that may obstruct exhaust (such as flowers, rocks, bushes, or snow).

Recommended Styles:

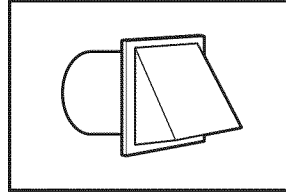


Louvered Hood



Box Hood

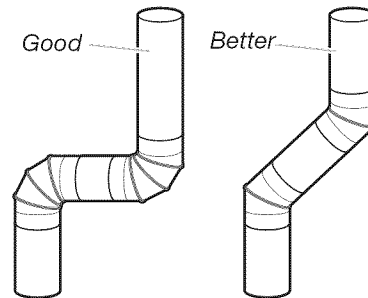
Acceptable Style:



Angled Hood

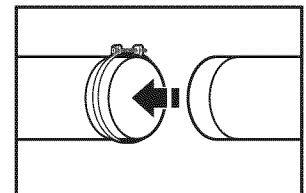
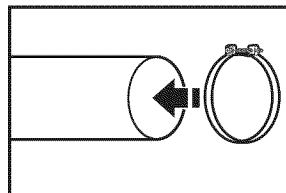
Elbows:

- 45° elbows provide better airflow than 90° elbows.



Clamps:

- Use clamps to seal all joints.
- Exhaust vent must not be connected or secured with screws or other fastening devices that extend into interior of duct and catch lint. Do not use duct tape.



Improper venting can cause moisture and lint to collect indoors, which may result in:

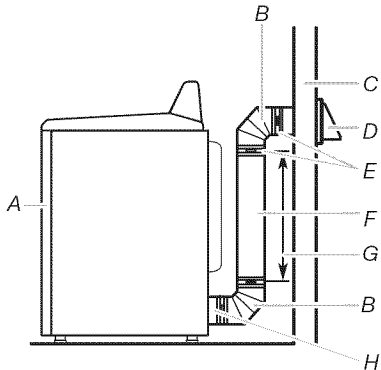
- Moisture damage to woodwork, furniture, paint, wallpaper, carpets, etc.
- Housecleaning problems and health problems.

See "Venting Kits" for more information.

Plan Vent System

Recommended exhaust installations

Typical installations vent the dryer from the rear of the dryer. Other installations are possible.



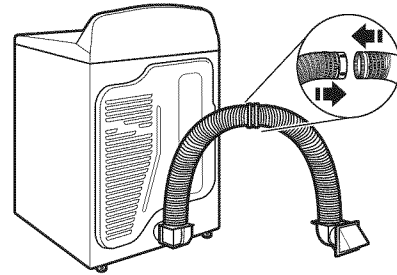
- A. Dryer
- B. Elbow
- C. Wall
- D. Exhaust hood
- E. Clamps
- F. Rigid metal or flexible metal vent
- G. Vent length necessary to connect elbows
- H. Exhaust outlet

Optional exhaust installations:

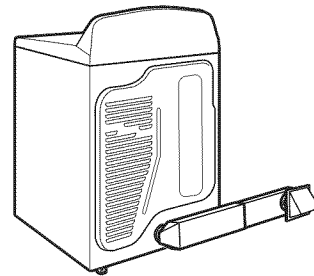
Each kit includes step-by-step instructions. For ordering information, see "Venting Kits".

Alternate installations for close clearances

Venting systems come in many varieties. Select the type best for your installation. Two close-clearance installations are shown. Refer to the manufacturer's instructions.




Over-The-Top installation (also available with one offset elbow)



Periscope installation

⚠ WARNING

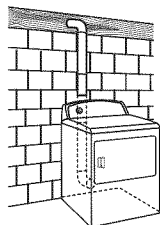


Fire Hazard

Cover unused exhaust holes with a manufacturer's exhaust cover kit.

Contact your local dealer.

Failure to follow these instructions can result in death, fire, electrical shock, or serious injury.



Standard rear offset exhaust installation

NOTE: The following kits for close clearance alternate installations are available for purchase.

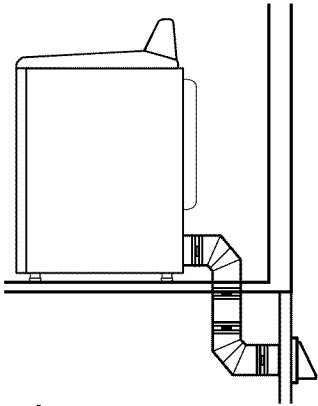
Venting Kits

For more information, call **1-800-469-4663**, or visit us at **www.sears.com**. In Canada, call **1-800-469-4663** or visit us at **www.sears.ca**.

Part Number	Descriptions
8171587RP	0-5" Metal vent periscope
4396037RP	0"-18" Metal vent periscope
4396011RP	18" - 29" Metal vent periscope
4396014	29" - 50" Metal vent periscope
4392892	In-Wall metal DuraVent™ Periscope
4396028	Sure Connect™ venting kit (over-the-top installation)
4396009RP	5' Universal connect vent, flexible dryer venting
4396010RP	6' SecureConnect™ vent, flexible dryer venting
4396013RB	Dryer vent installer's kit
4396033RP	5' flexible dryer venting with clamps
4396727RP	8' flexible dryer venting with clamps
4396004	Dryer offset elbow
4396005	Wall offset elbow
4396006RW	DuraSafe™ close elbow
4396007RW	Through-the-wall vent cap
4396008RP	4" steel dryer venting clamps - 2 pack
8212662	Flush mounting louvered vent hood 4"

Special provisions for mobile home installations:

The exhaust vent must be securely fastened to a noncombustible portion of the mobile home structure and must not terminate beneath the mobile home. Terminate the exhaust vent outside.



Determine vent path:

- Select route that will provide straightest and most direct path outdoors.
- Plan installation to use fewest number of elbows and turns.
- When using elbows or making turns, allow as much room as possible.
- Bend vent gradually to avoid kinking.
- Use as few 90° turns as possible.

Determine vent length and elbows needed for best drying performance:

- Use following Vent System Chart to determine type of vent material and hood combinations acceptable to use.

NOTE: Do not use vent runs longer than those specified in Vent System Chart. Exhaust systems longer than those specified will:

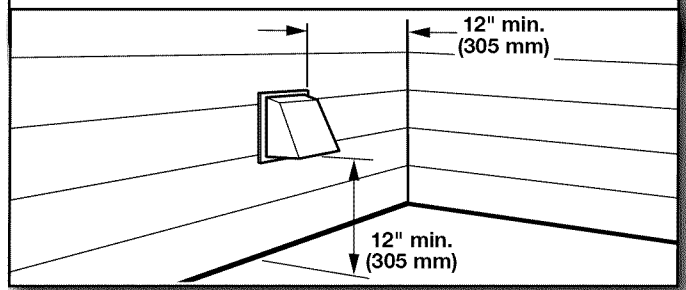
- Shorten life of dryer.
- Reduce performance, resulting in longer drying times and increased energy usage.

The Vent System Chart provides venting requirements that will help achieve best drying performance.

Vent System Chart			
Number of 90° turns or elbows	Type of vent	Box/louvered hoods	Angled hoods
0	Rigid metal	64 ft. (20 m)	58 ft. (17.7 m)
1	Rigid metal	54 ft. (16.5 m)	48 ft. (14.6 m)
2	Rigid metal	44 ft. (13.4 m)	38 ft. (11.6 m)
3	Rigid metal	35 ft. (10.7 m)	29 ft. (8.8 m)
4	Rigid metal	27 ft. (8.2 m)	21 ft. (6.4 m)

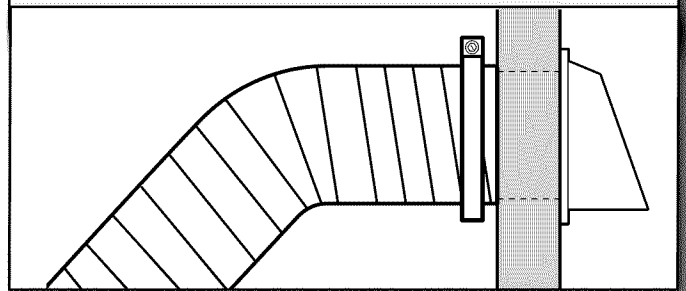
Install Vent System

1. Install exhaust hood



Install exhaust hood and use caulking compound to seal exterior wall opening around exhaust hood.

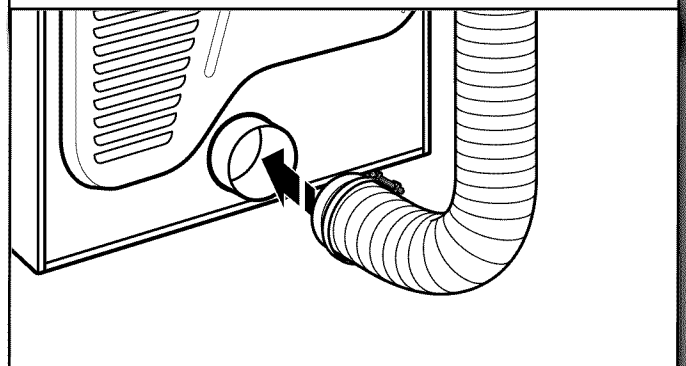
2. Connect vent to exhaust hood



Vent must fit inside the exhaust hood. Secure vent to exhaust hood with 4" (102 mm) clamp. Run vent to dryer location using straightest path possible. Avoid 90° turns. Use clamps to seal all joints. Do not use duct tape, screws, or other fastening devices that extend into interior of vent to secure vent, because they can catch lint.

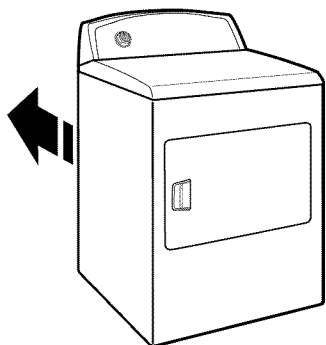
Connect Vent

1. Connect vent to exhaust outlet



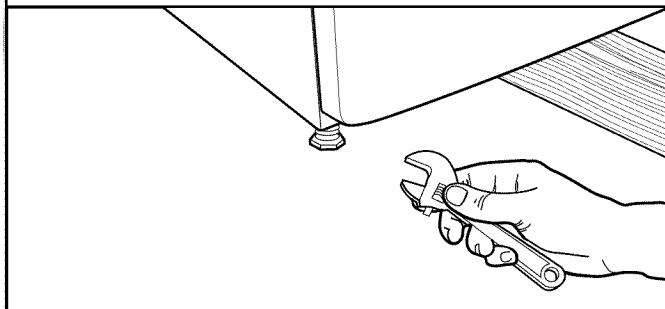
Using a 4" (102 mm) clamp, connect vent to exhaust outlet in dryer. If connecting to existing vent, make sure vent is clean. Dryer vent must fit inside dryer exhaust outlet and exhaust hood. Check that vent is secured to exhaust hood with a 4" (102 mm) clamp.

2. Move dryer to final location



Move dryer to final location. Avoid crushing or kinking vent. After dryer is in place, remove cardboard from under the dryer.

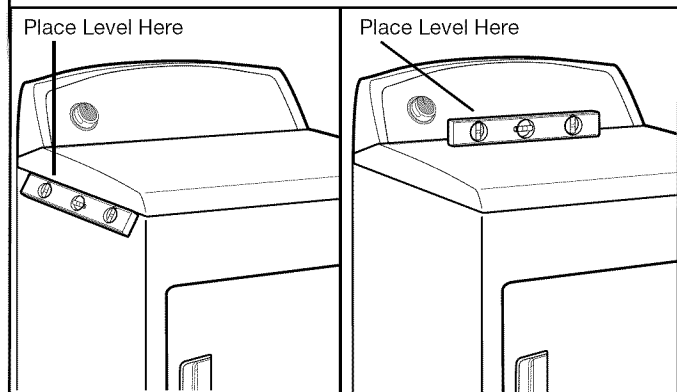
2. Adjust leveling legs



If dryer is not level, prop up using a wood block, use wrench to adjust legs up or down, and check again for levelness. Once legs are level, make sure all four legs are snug against the floor.

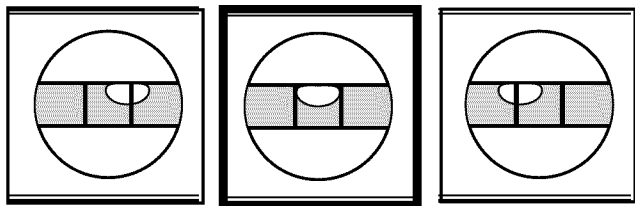
LEVEL DRYER

1. Level Dryer



Check levelness of dryer from side to side. Repeat from front to back.

NOTE: The dryer must be level for the moisture sensing system to operate correctly.



Not Level

LEVEL

Not Level

COMPLETE INSTALLATION CHECKLIST

- Check that all parts are now installed. If there is an extra part, go back through steps to see what was skipped.
- Check that you have all of your tools.
- Dispose of/recycle all packaging materials.
- Check dryer's final location. Be sure vent is not crushed or kinked.
- Check that dryer is level. See "Level Dryer".
- Remove film on console and any tape remaining on dryer.
- Wipe dryer drum interior thoroughly with a damp cloth to remove any dust.
- Read "Dryer Use" in your "Use and Care Guide".
- Set the dryer on a full heat cycle (not an air cycle) for 20 minutes and start the dryer.

If the dryer will not start, check the following:

- Controls are set in a running or "On" position.
- Start button has been pushed firmly.
- Dryer is plugged into an outlet and/or electrical supply is on.
- Household fuse is intact and tight, or circuit breaker has not tripped.
- Dryer door is closed.
- When the dryer has been running for 5 minutes, open the dryer door and feel for heat. If you feel heat, cancel cycle and close the door.

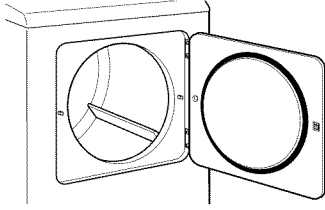
If you do not feel heat, turn off dryer, and check the following:

- There may be 2 household fuses or circuit breakers for the dryer. Check that both fuses are intact and tight, or that both circuit breakers have not tripped. If there is still no heat, contact a qualified technician.

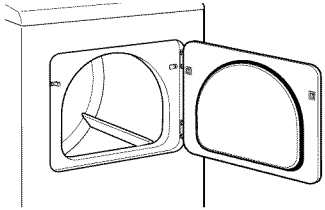
NOTE: You may notice an odor when the dryer is first heated. This odor is common when the heating element is first used. The odor will go away.

REVERSE DOOR SWING (OPTIONAL)

If your door is the Large Side-Swing Door, follow steps 1–6.



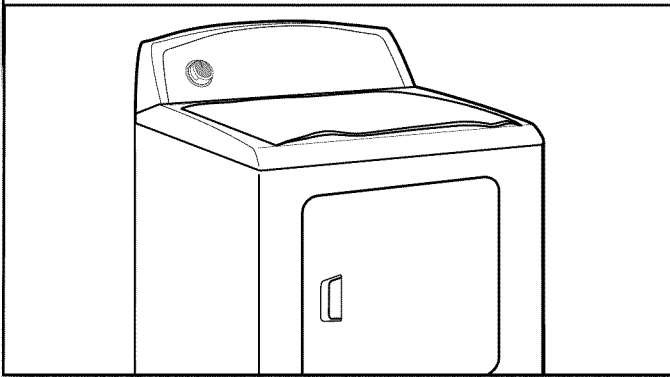
If your door is the Super Wide Side-Swing Door, follow steps 1–13.



NOTE: A magnetized screwdriver is helpful.

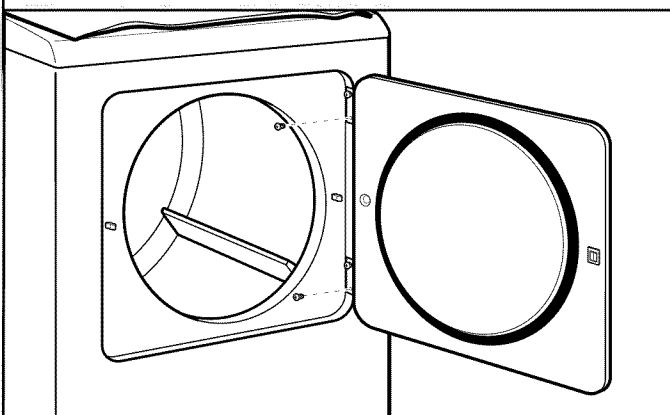
Large Side Swing Door

1. Place towel on dryer



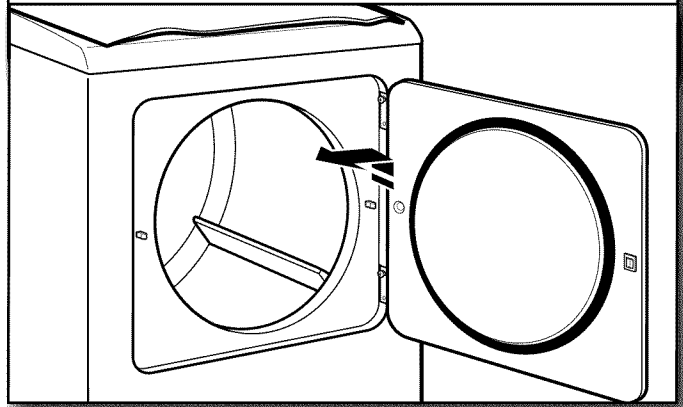
Place towel on top of dryer to avoid damaging the surface.

2. Remove bottom screws



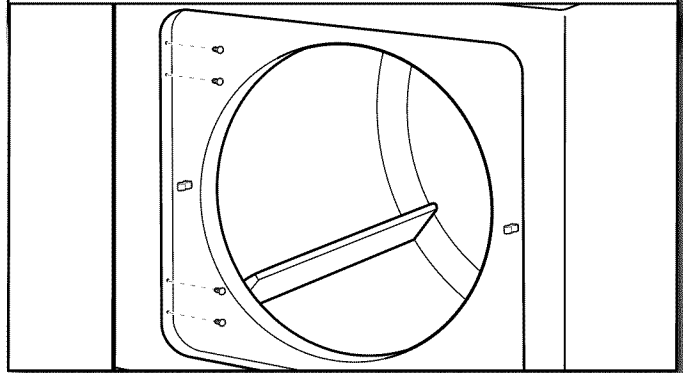
Open dryer door. Remove bottom screws from dryer cabinet side of hinges. Loosen (do not remove) top screws from dryer cabinet side of hinges.

3. Lift door off top screws



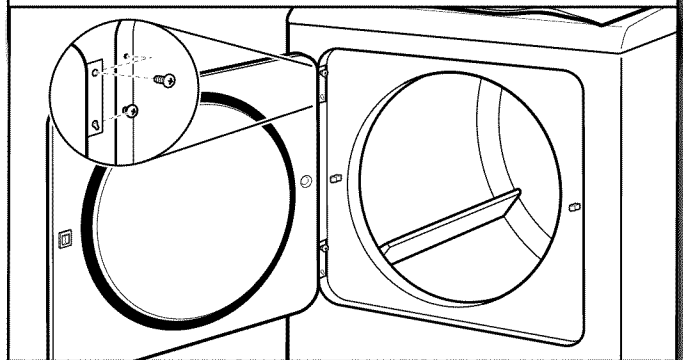
Lift door until top screws in cabinet are in large part of hinge slot. Pull door forward off screws. Set door on top of dryer. Remove top screws from dryer cabinet.

4. Remove and transfer hinge hole plugs



Use a small, flat-blade screwdriver to gently remove 4 hinge hole plugs on left side of dryer cabinet. Insert plugs into hinge holes on opposite side of dryer cabinet.

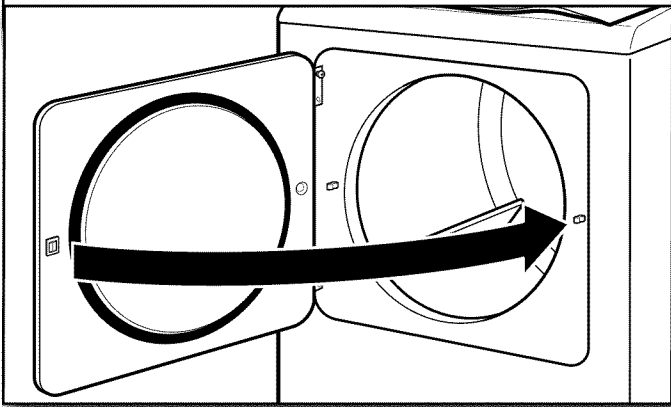
5. Insert screws in hinge holes on dryer cabinet



NOTE: Two people may be needed to reinstall door.

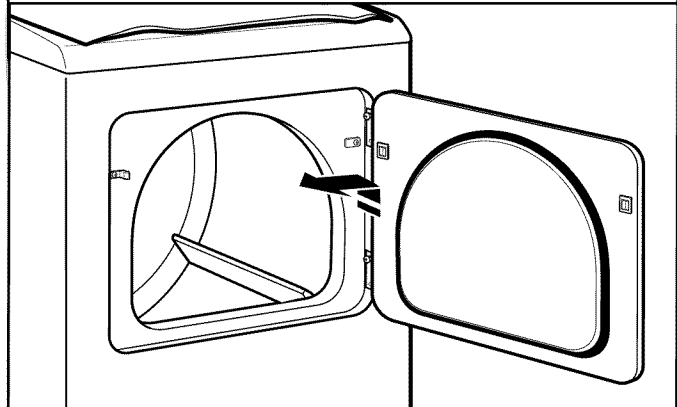
Insert screws into bottom holes on left side of dryer cabinet. Tighten screws halfway. Position door so large end of door hinge slot is over screws. Slide door up so screws are in bottom of slots. Tighten screws. Insert and tighten top screws in hinges.

6. Check door strike alignment



Close door and check that door strike aligns with door catch. If needed, slide door catch left or right within slot to adjust alignment.

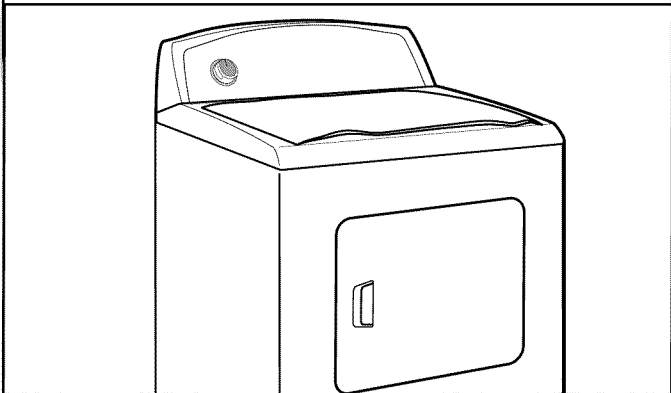
3. Lift door off top screws



Lift door until top screws in dryer cabinet are in large part of hinge slot. Pull door forward off screws. Set door (handle side up) on top of dryer. Remove top screws from dryer cabinet.

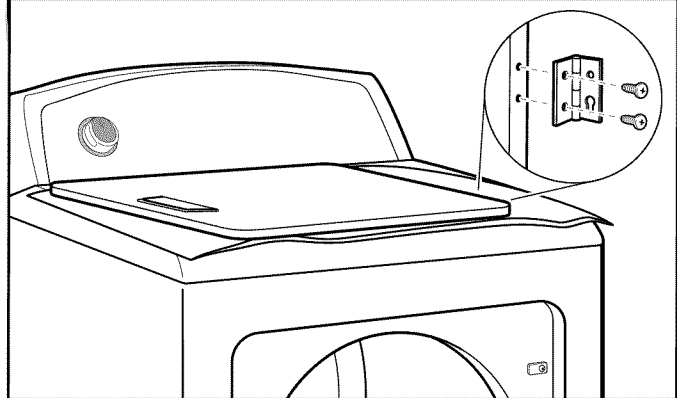
Super-Wide Side Swing Door

1. Place towel on dryer



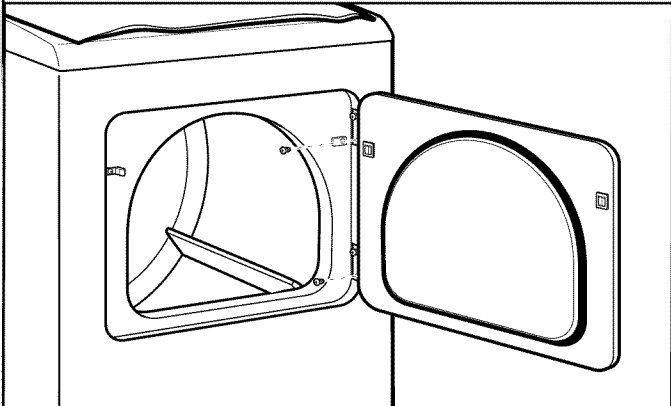
Place towel on top of dryer to avoid damaging the surface.

4. Remove screws from hinges



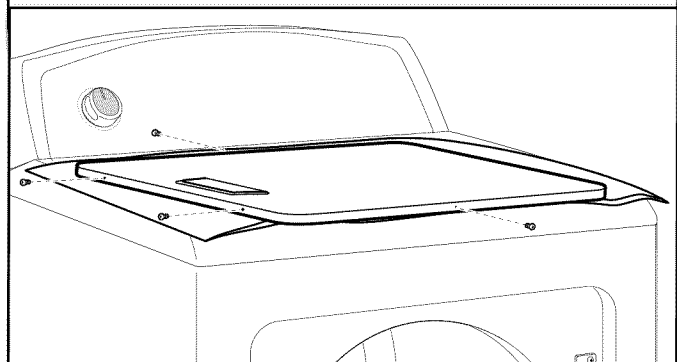
Remove screws attaching hinges to door.

2. Remove bottom screws



Open dryer door. Remove bottom screws from dryer cabinet side of hinges. Loosen (do not remove) top screws from dryer cabinet side of hinges.

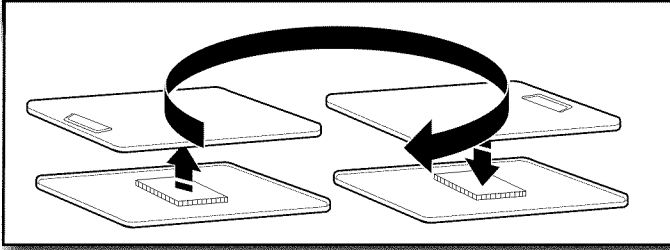
5. Remove screws from door



Remove screws at top, bottom, and side of door (4 screws). Keep door screws separate from hinge screws as they are different sizes. Holding door over towel on dryer, grasp sides of outer door and lift to separate it from inner door.

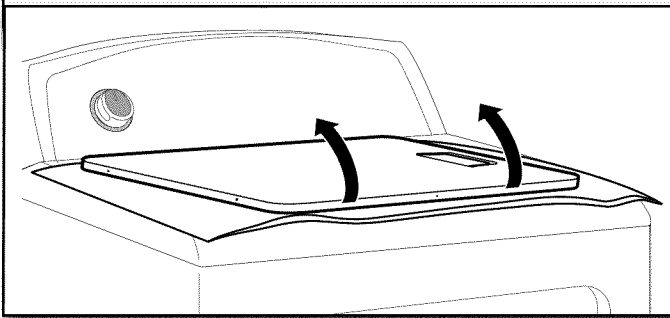
NOTE: Do not pry apart with putty knife or screwdriver. Do not pull on door seal or plastic door catches.

6. Rotate outer door



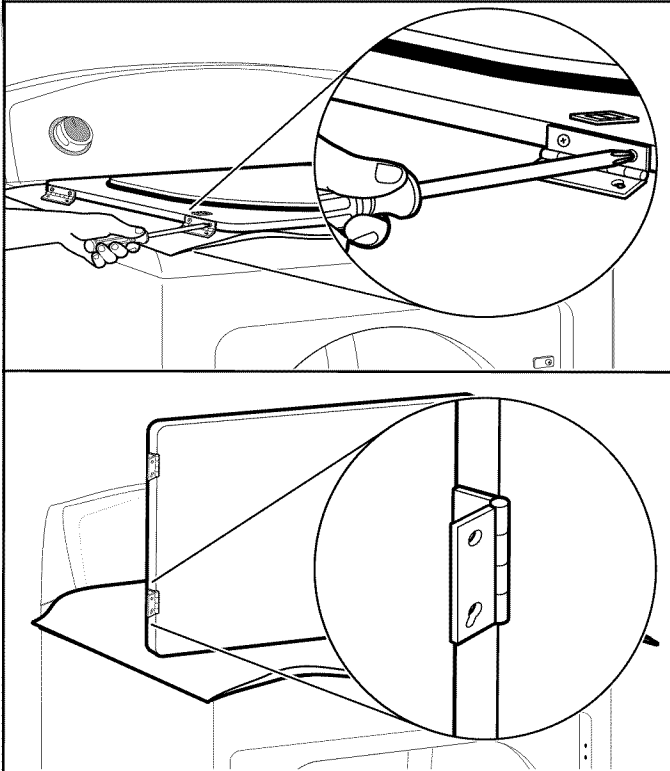
Take outer door and rotate in 180° and set it back down on inner door. Be certain to keep cardboard spacer centered between doors. Reattach outer door panel to inner door panel so handle is on the side where hinges were just removed. Insert 4 door screws.

7. Flip door over



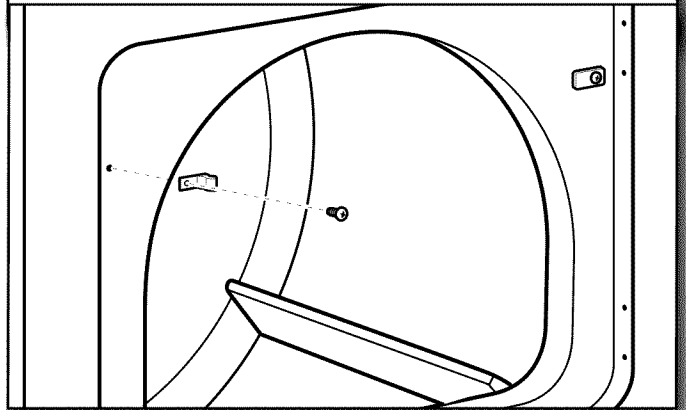
Flip door over so handle side is down.

8. Attach door hinges



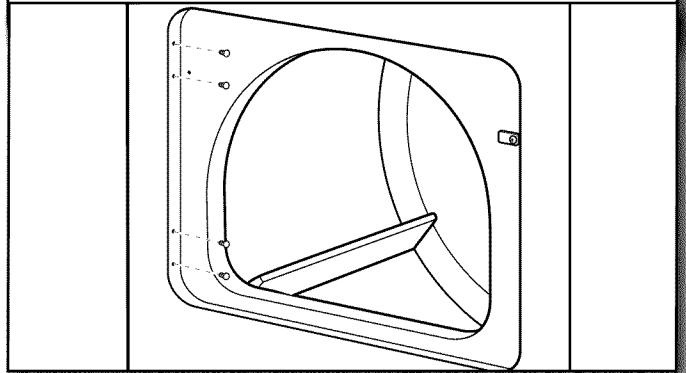
Reattach door hinges to dryer door so that the larger hole is at the bottom of the hinge.

9. Remove door strike



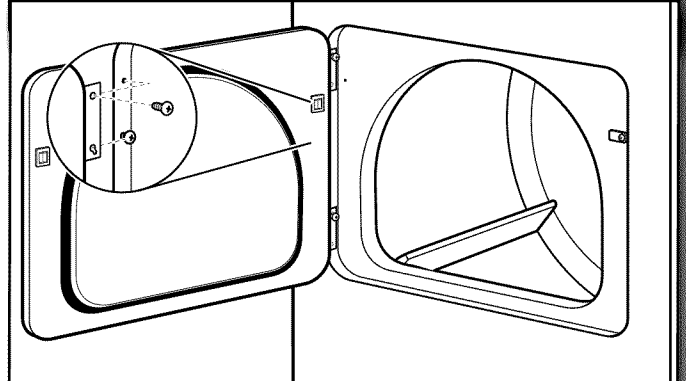
Remove door strike from dryer cabinet and set aside.

10. Remove and transfer hinge hole plugs



Use a small, flat-blade screwdriver to gently remove 4 hinge hole plugs on left side of dryer cabinet. Transfer plugs into hinge holes on opposite side of dryer cabinet.

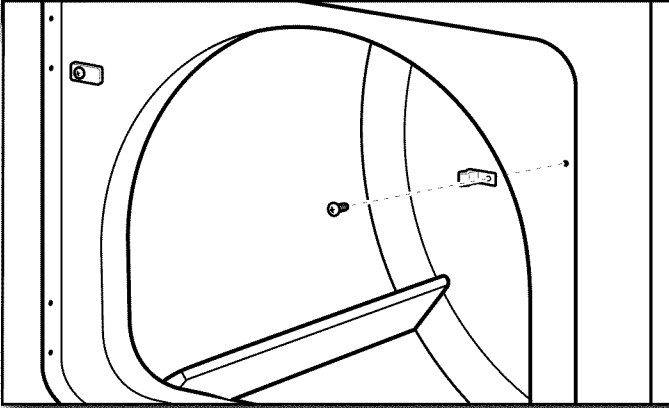
11. Insert screws in hinge holes on dryer cabinet



NOTE: Two people may be needed to reinstall door.

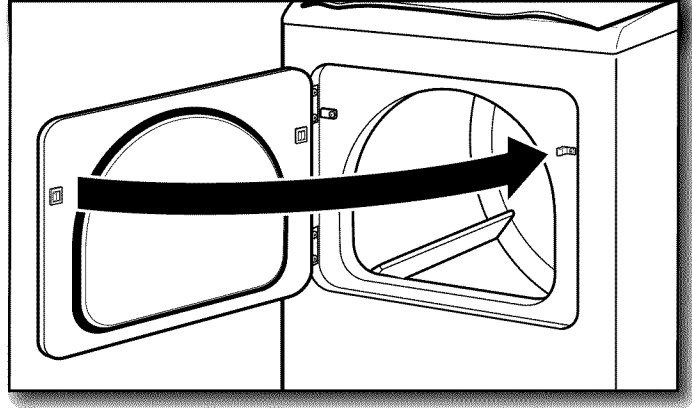
Insert screws into the bottom holes on left side of dryer cabinet. Tighten screws halfway. Position door so large end of door hinge slot is over screws. Slide door up so screws are in bottom of slots. Tighten screws. Insert and tighten top screws in hinges.

12. Remove door strike plug



Remove door strike plug. Insert the door strike removed in Step 9 into hole and secure with screw. Insert door strike plug into original door strike hole and secure with screw.

13. Check door strike alignment



Close door and check that door strike aligns with door catch. If it is needed, slide door catch left or right within slot to adjust alignment.

TROUBLESHOOTING

See "Use and Care Guide" or visit our website and reference Frequently Asked Questions to possibly avoid the cost of a service call.

SEGURIDAD DE LA SECADORA

Su seguridad y la seguridad de los demás es muy importante.

Hemos incluido muchos mensajes importantes de seguridad en este manual y en su electrodoméstico. Lea y obedezca siempre todos los mensajes de seguridad.



Este es el símbolo de advertencia de seguridad.

Este símbolo le llama la atención sobre peligros potenciales que pueden ocasionar la muerte o una lesión a usted y a los demás.

Todos los mensajes de seguridad irán a continuación del símbolo de advertencia de seguridad y de la palabra "PELIGRO" o "ADVERTENCIA". Estas palabras significan:

 **PELIGRO**

Si no sigue las instrucciones de inmediato, usted puede morir o sufrir una lesión grave.

 **ADVERTENCIA**

Si no sigue las instrucciones, usted puede morir o sufrir una lesión grave.

Todos los mensajes de seguridad le dirán el peligro potencial, le dirán cómo reducir las posibilidades de sufrir una lesión y lo que puede suceder si no se siguen las instrucciones.



ADVERTENCIA - "Riesgo de incendio"

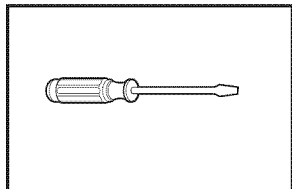
- La instalación de la secadora de ropa debe estar a cargo de un instalador competente.
- Instale la secadora de ropa según las instrucciones del fabricante y los códigos locales.
- No instale una secadora de ropa con materiales de ventilación de plástico flexible. Si se usa un conducto de metal flexible (de hoja de metal), éste deberá ser de un tipo específico, que esté identificado por el fabricante de electrodomésticos como apto para ser usado con secadoras de ropa. Es sabido que los materiales de ventilación flexible se derrumban, se aplastan con facilidad y atrapan pelusa. Estas condiciones obstruirán el flujo de aire de la secadora de ropa y aumentarán el riesgo de incendio.
- Para reducir el riesgo de lesiones severas o la muerte, siga todas las instrucciones de instalación.
- Guarde estas instrucciones.

INSTRUCCIONES DE INSTALACIÓN

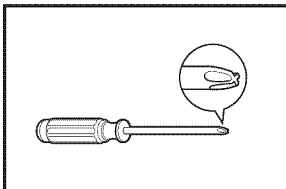
Herramientas y piezas

Reúna las herramientas y piezas necesarias antes de comenzar la instalación. Lea y siga las instrucciones provistas con cualquiera de las herramientas enlistadas aquí.

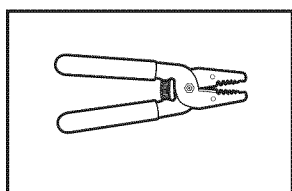
Herramientas necesarias:



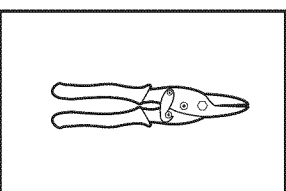
Destornillador de hoja plana (imantado)



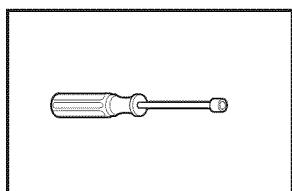
Destornillador Phillips # 2 (imantado)



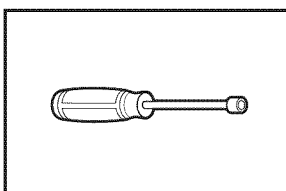
Desferrador de alambre (instalaciones de cableado directo)



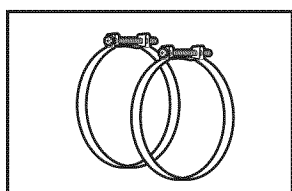
Tijeras de lata (instalaciones del nuevo ducto de escape)



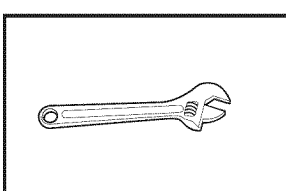
Llave de tuercas de 1/4" (se recomienda)



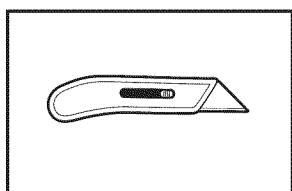
Llave de tuercas de 5/16" o llave de tubo (para quitar el tornillo de tierra de 4-cable de conexions)



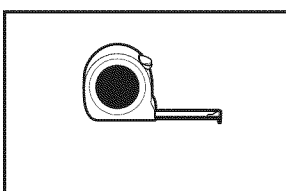
Abrazaderas para ducto



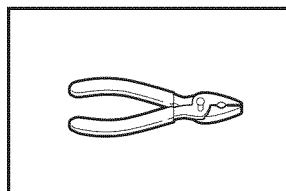
Llave de tuercas ajustable que se abra a 1" (25 mm) o una llave de cubo de cabeza hexagonal



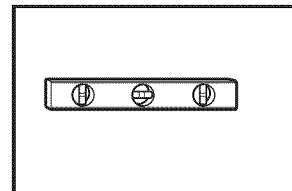
Cuchillo para uso general



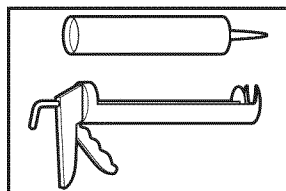
Cinta de medir



Pinzas

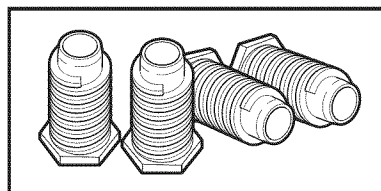


Nivel



Pistola y masilla para calafateo (para instalar el nuevo ducto de escape)

Piezas suministradas:



Patillas niveladoras (4)

El paquete con piezas está ubicado en el tambor de la secadora. Verifique que estén todas las piezas.

Piezas necesarias:

Verifique los códigos locales. Verifique el suministro eléctrico existente y la ventilación y vea "Requisitos eléctricos" y "Requisitos de ventilación" antes de comprar las piezas.

Las instalaciones en casas rodantes requieren herramientas del sistema de escape de metal, que se encuentran disponibles para ser compradas en el distribuidor donde compró la secadora. Para obtener más información, tome como referencia la sección "Ayuda o servicio técnico" de sus "Manual de uso y cuidado".

Si emplea un cable de suministro eléctrico:

Use un juego aprobado de UL para cable de suministro eléctrico que esté marcado para ser usado en secadoras de ropa. El juego deberá contener:

- Un cable de suministro eléctrico de 30 amperios aprobado de UL, con 120/240 voltios mínimo. El cable deberá ser del tipo SRD o SRDT y deberá tener un largo de por lo menos 4 pies (1,22 m). Los hilos que conectan con la secadora deberán terminar en terminales de anillo o de horquilla con los extremos hacia arriba.
- Un protector de cables aprobado de UL.

Requisitos de ubicación

⚠ ADVERTENCIA



Peligro de Explosión

Mantenga los materiales y vapores inflamables, como la gasolina, lejos de la secadora.

Coloque la secadora a un mínimo de 460 mm (18 pulgadas) sobre el piso para la instalación en un garaje.

No seguir estas instrucciones puede ocasionar la muerte, explosión o incendio.

Usted necesitará:

- Una ubicación que permita una instalación adecuada del ducto de escape. Consulte "Requisitos de ventilación".
- Un circuito separado de 30 amperios.
- Si está usando un cable de suministro de energía, un contacto con conexión a tierra ubicado a unos 2 pies (610 mm) de cualquiera de los lados de la secadora. Vea "Requisitos eléctricos".
- Un piso resistente para soportar la secadora con un peso total (secadora y carga) de 200 lbs (90,7 kgs). Asimismo se debe considerar el peso de otro artefacto que la acompañe.
- Un piso nivelado con un declive máximo de 1" (25 mm) debajo de la secadora completa. (Si el declive es mayor que 1" [25 mm], instale el Juego de extensión de patas de la secadora, Pieza No. 279810.) Si la secadora no está nivelada, la ropa quizás no rote adecuadamente y los ciclos del sensor automático posiblemente no funcionen debidamente.

No ponga a funcionar su secadora a temperaturas inferiores a 45°F (7°C). A temperaturas inferiores, es posible que la secadora no se apague al final de un ciclo automático. Los tiempos de secado pueden prolongarse.

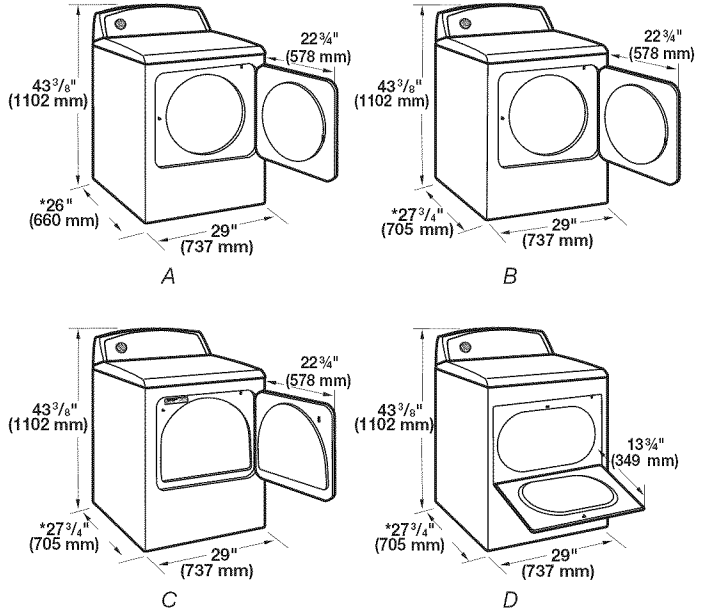
No debe instalarse ni guardarse la secadora en un área en donde pueda estar expuesta al agua y/o a la intemperie.

Verifique los requisitos de los códigos. Algunos códigos limitan, o no permiten, la instalación de la secadora en garajes, clósets, casas rodantes o en dormitorios. Póngase en contacto con el inspector de construcciones de su localidad.

Espacios de instalación:

La ubicación debe ser lo suficientemente grande para poder abrir completamente la puerta de la secadora.

Dimensiones de la secadora



A. Porte à pivotement latéral à grande ouverture
B. Porte à pivotement latéral à grande ouverture
C. Porte à pivotement latéral à large ouverture
D. Porte rabattable à large ouverture

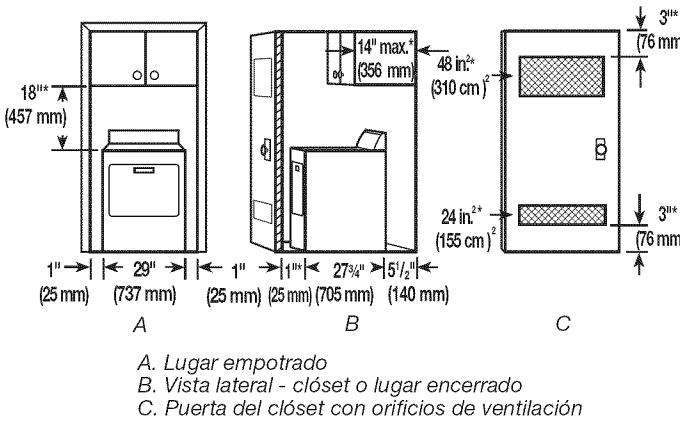
*La mayoría de las instalaciones requieren un espacio mínimo de 5½" (140 mm) detrás de la secadora para acomodar el ducto de escape con codo. Vea "Requisitos de ventilación".

Espacio mínimo para la instalación en un lugar empotrado o en un clóset

Las siguientes dimensiones ilustradas son para el espacio mínimo permitido.

- Debe considerarse el espacio adicional para facilitar la instalación y el servicio técnico.
- Se podrían necesitar espacios libres adicionales para la pared y las molduras de la pared, de la puerta y del piso.
- Se recomienda un espacio adicional de 1" (25 mm) en todos los lados de la secadora para reducir la transferencia de ruido.
- Para la instalación en clóset, con una puerta, se requieren aberturas de ventilación mínimas en la parte superior e inferior de la puerta. Se aceptan puertas tipo persianas con aberturas de ventilación equivalentes.
- También se debe considerar espacio adicional para otro electrodoméstico que le acompañe.

Espacio mínimo necesario



*Se recomienda espacio adicional

Requisitos de instalación adicionales para las casas rodantes

Esta secadora es apropiada para instalaciones en casas rodantes. La instalación debe ajustarse al Estándar de seguridad y construcción de casas fabricadas, Título 24 CFR, Parte 3280 (anteriormente conocido como Estándar federal para la seguridad y construcción de casas rodantes, Título 24, HUD Parte 280).

- Herramientas del sistema de escape de metal, que se encuentran disponibles para ser compradas en su distribuidor. Para obtener más información, vea "Manual de uso y cuidado".
- Se deben tomar medidas especiales en el caso de casas rodantes para introducir el aire del exterior en la secadora. La abertura (como la de una ventana adyacente) deberá ser por lo menos el doble de tamaño que la abertura de ventilación de la secadora.

Requisitos eléctricos

Usted es responsable de:

- Ponerse en contacto con un instalador eléctrico calificado.
- Asegurarse de que la conexión eléctrica sea adecuada y de conformidad con el Código Nacional Eléctrico, ANSI/NFPA 70 - última edición y con todos los códigos y ordenanzas locales.

El Código Nacional Eléctrico requiere una conexión de suministro eléctrico de 4 hilos para aquellos hogares construidos después de 1996, para los circuitos de secadora que se hayan reformado después de 1996 y todas las instalaciones de casas rodantes.

Usted puede obtener una copia de todas las normas arriba indicadas en: National Fire Protection Association, One Batterymarch Park, Quincy, MA 02269.

- Proveer el suministro eléctrico requerido de 3 ó 4 alambres, monofásico, de 120/240 voltios, 60 Hz, CA solamente (o un suministro eléctrico de 3 ó 4 alambres, de 120/208 voltios, si se especifica en la placa indicadora de corriente/de la serie) en un circuito separado de 30 amperios, protegido con fusibles en ambos lados de la línea. Se recomienda un fusible retardador o un cortacircuitos. Conéctela a un circuito derivado individual. No tenga un fusible en el circuito neutro o de conexión a tierra.
- No use un cable eléctrico de extensión.
- Si los códigos lo permiten y se emplea un alambre de conexión a tierra separado, es recomendable que un electricista calificado determine si la trayectoria de conexión a tierra es adecuada.

Conexión eléctrica

Para instalar su secadora adecuadamente, usted debe determinar el tipo de conexión eléctrica que va a usar y seguir las instrucciones que aquí se proveen para el caso.

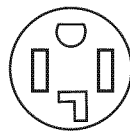
- Si los códigos locales no permiten la conexión de un conductor para conexión a tierra del equipo al alambre neutro, vea la sección "Conexión opcional de 3 hilos".
- Esta secadora ha sido manufacturada lista para ser instalada en una conexión de suministro de energía eléctrica de 3 hilos. El conductor neutro de puesta a tierra de la carcasa está permanentemente conectado al conductor neutro (cable blanco) dentro de la secadora. Si la secadora está instalada con una conexión de suministro eléctrico de 4 hilos, el conductor neutro de puesta a tierra de la carcasa se debe quitar del conductor de puesta a tierra exterior (tornillo verde) y ajustar debajo del terminal neutro (cable central o blanco) del bloque de terminal. Cuando el conductor neutro de puesta a tierra de la carcasa esté ajustado debajo del terminal neutro (cable central o blanco) del bloque de terminal, la carcasa de la secadora queda aislada del conductor neutro.
- Deberá usarse una conexión con suministro de energía de 4 hilos cuando la secadora esté instalada en una ubicación en la cual esté prohibida la conexión a tierra a través del conductor neutro. Está prohibido hacer la puesta a tierra a través del conductor neutro para (1) las nuevas instalaciones de circuito derivado, (2) casas rodantes, (3) vehículos de recreación y (4) áreas donde los códigos locales prohíben la conexión a tierra a través de conductores neutros.

Si emplea un cable de suministro eléctrico:

Use un juego aprobado de UL para cable de suministro eléctrico que esté marcado para ser usado en secadoras de ropa. El juego deberá contener:

- Un cable de suministro eléctrico de 30 amperios aprobado de UL, con 120/240 voltios mínimo. El cable deberá ser del tipo SRD o SRDT y deberá tener un largo de por lo menos 4 pies (1,22 m). Los hilos que conectan con la secadora deberán terminar en terminales de anillo o de horquilla con los extremos hacia arriba.
- Un protector de cables aprobado de UL

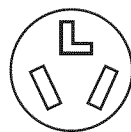
Si el contacto de pared luce como éste:



Contacto de 4 alambres (14-30R)

Entonces elija un cable de suministro eléctrico de 4 alambres con terminales de anillo o de horquilla y con protector de cables aprobado de UL. El cable de suministro eléctrico de 4 hilos, de por lo menos 4 pies (1,22 m) de largo, deberá tener 4 hilos de cobre de calibre 10 y coincidir con un receptáculo de 4 hilos tipo NEMA 14-30R. El hilo de conexión a tierra (conductor a tierra) puede ser verde o desnudo. El conductor neutro debe ser identificado con una cubierta blanca.

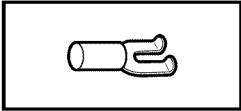
Si el contacto de pared luce como éste:



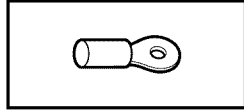
Contacto de 3 alambres (10-30R)

Entonces elija un cable de suministro eléctrico de 3 alambres con terminales de anillo o de horquilla y con protector de cables aprobado de UL. El cable de suministro eléctrico de 3 hilos, de por lo menos 4 pies (1,22 m) de largo, deberá tener 3 hilos de cobre de calibre 10 y coincidir con un receptáculo de 3 hilos tipo NEMA 10-30R.

Seleccione un conector estándar de cable de suministro de energía:



Conectores de horquilla



Conectores de anillo

Si hace la conexión con cableado directo:

El cable de suministro eléctrico debe ser igual al del suministro eléctrico (de 4 alambres o de 3 alambres) y debe ser:

- Cable blindado flexible o cable de cobre forrado no metálico (con alambre puesto a tierra), protegido con un conducto metálico flexible. Todos los alambres conductores de corriente deben estar aislados.
- Alambre de cobre sólido de calibre 10 (no utilice aluminio).
- Por lo menos 5 pies (1,52 m) de largo.

INSTRUCTIONS DE LIAISON À LA TERRE

- Pour une sècheuse reliée à la terre et connectée par un cordon :
Cette sècheuse doit être reliée à la terre. En cas de mauvais fonctionnement ou de panne, la liaison à la terre réduira le risque de choc électrique en offrant au courant électrique un acheminement d'évacuation de moindre résistance. Cette sècheuse est alimentée par un cordon électrique comportant un conducteur relié à la terre et une fiche de branchement munie d'une broche de liaison à la terre. La fiche doit être branchée sur une prise appropriée qui est bien installée et reliée à la terre conformément à tous les codes et règlements locaux.
- Pour une sècheuse raccordée en permanence :
Cette sècheuse doit être raccordée à un système de câblage permanent en métal relié à la terre ou un conducteur relié à la terre doit être en fonction avec les conducteurs de circuit et raccordé à la borne de liaison à la terre ou la borne sur la sècheuse.

AVERTISSEMENT : Le raccordement incorrect de cet appareil au conducteur de liaison à la terre peut susciter un risque de choc électrique. En cas de doute quant à la qualité de liaison à la terre de la sècheuse, consulter un électricien ou un technicien ou un personnel qualifié. Ne pas modifier la fiche de branchement fournie avec la sècheuse; si la fiche ne correspond pas à la configuration de la prise de courant, demander à un électricien qualifié d'installer une prise de courant appropriée.

CONSERVEZ CES INSTRUCTIONS

INSTALACION DE LAS PATAS NIVELADORAS

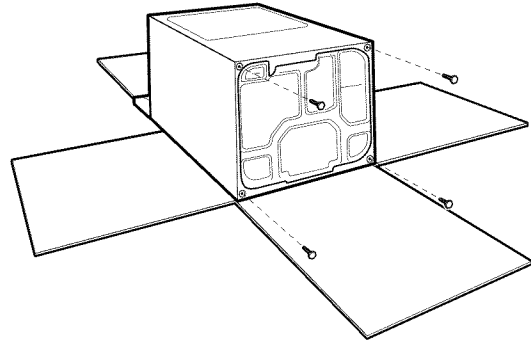
⚠ ADVERTENCIA

Peligro de Peso Excesivo

Use dos o más personas para mover e instalar la secadora.

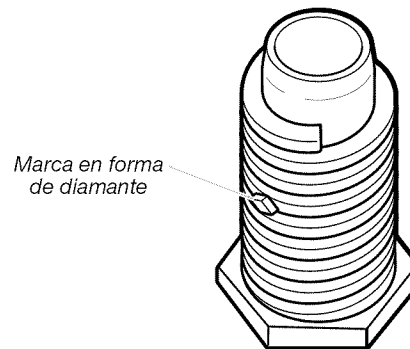
No seguir esta instrucción puede ocasionar una lesión en la espalda u otro tipo de lesiones.

1. Prepare la secadora para las patas niveladoras



Para evitar daños en el piso, use un pedazo de cartón grande y plano de la caja de la secadora; colóquelo debajo de todo el borde posterior de la secadora. Agarre con firmeza el cuerpo de la secadora (no el panel de la consola) y coloque la secadora suavemente sobre el cartón.

2. Atornille las patas niveladoras



Examine las patas niveladoras; localice la marca en forma de diamante. Atornille con la mano las patas en los orificios de las mismas y use una llave de tuercas para terminar de atornillar las patas hasta que la marca en forma de diamante no quede visible.

Ahora coloque la secadora en posición vertical. Deslice la secadora cerca de su ubicación final. Deje suficiente espacio para la conexión eléctrica y para conectar el ducto de escape.

CONEXION ELECTRICA

Cable de suministro eléctrico

⚠ ADVERTENCIA



Peligro de Incendio

Use un cable de suministro eléctrico nuevo de 30 amperes que esté en la lista de UL.

Use un protector de cables que esté en la lista de UL.

Desconecte el suministro eléctrico antes de hacer las conexiones eléctricas.

Conecte el alambre neutro (el blanco o el del centro) al terminal central (plateada).

El alambre de tierra (el verde o el no aislado) se debe conectar con el conector verde de tierra.

Conecte los 2 alambres de suministro restantes con las 2 terminales restantes (las doradas).

Apriete firmemente todas las conexiones eléctricas.

No seguir estas instrucciones puede ocasionar la muerte, incendio, o choque eléctrico.

Cable directo

⚠ ADVERTENCIA



Peligro de Incendio

Utilice alambres de cobre sólido de ancho 10.

Use un protector de cables que esté en la lista de UL.

Desconecte el suministro eléctrico antes de hacer las conexiones eléctricas.

Conecte el alambre neutro (el blanco o el del centro) a la terminal central (plateada).

El alambre de tierra (el verde o el no aislado) se debe conectar con el conector verde de tierra.

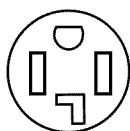
Conecte los 2 alambres de suministro restantes con las 2 terminales restantes (las doradas).

Apriete firmemente todas las conexiones eléctricas.

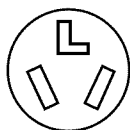
No seguir estas instrucciones puede causar la muerte, incendio o choque eléctrico.

Opciones para la conexión eléctrica

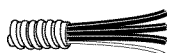
1. Seleccione el tipo de conexión eléctrica



Contacto de 4 hilos (Tipo NEMA 14-30R) para cable de suministro de energía: Vaya a "Conexión con cable de suministro de energía".



Contacto de 3 hilos (Tipo NEMA 10-30R) para cable de suministro de energía: Vaya a "Conexión con cable de suministro de energía".



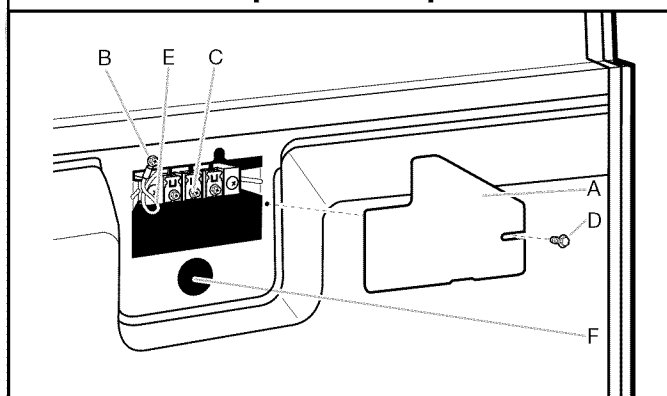
Conexión directa de 4 hilos: Vaya a "Conexión por cable directo".



Conexión directa de 3 hilos: Vaya a "Conexión por cable directo".

NOTA: Si los códigos locales no permiten la conexión de un conductor para conexión a tierra de la carcasa al alambre neutro, prosiga a "Conexión opcional de 3 hilos". Esta conexión se puede utilizar con una conexión por cable de suministro de energía o por cable directo.

2. Quite la tapa del bloque de terminal



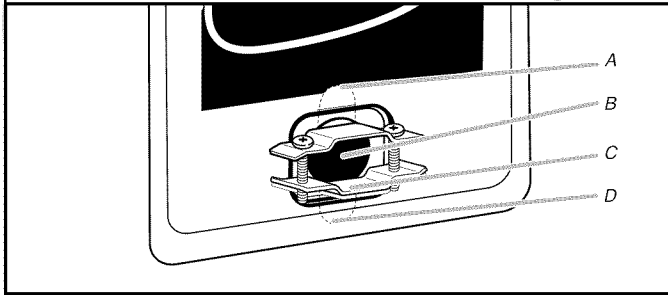
Desconecte el suministro de energía antes de comenzar. Quite el tornillo de sujeción (D) y la cubierta de la caja de terminal (A).

- A. Cubierta del bloque de terminal
- B. Tornillo conductor a tierra externo
- C. Tornillo del bloque de terminal del centro
- D. Tornillo de sujeción
- E. Alambre de conexión a tierra neutro
- F. Orificio debajo de la abertura del bloque de terminal

Conexión por cable de suministro de energía

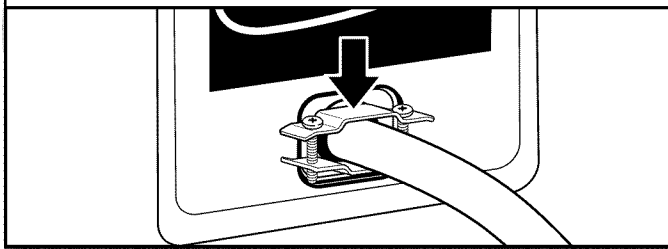
Protector de cables del cable de suministro de energía

1. Sujete el protector de cables del cable de suministro de energía



Quite los tornillos de un protector de cables de 3/4" (19 mm) que esté en la lista de UL (con la marca UL en el protector de cables). Coloque las lengüetas de las dos secciones de la abrazadera (C) en el orificio que está debajo de la abertura del bloque de terminal (B) de manera que una lengüeta esté apuntando hacia arriba (A) y la otra esté apuntando hacia abajo (D), y sujételas en su lugar. Apriete los tornillos del protector de cables sólo lo suficiente para mantener las dos secciones de la abrazadera juntas (C).

2. Sujete el cable de suministro de energía al protector de cables

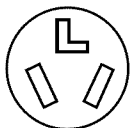


Haga pasar el cable de suministro de energía a través del protector de cables. Asegúrese de que el aislamiento de cables del cable de suministro de energía esté dentro del protector de cables. El protector de cables deberá encajar bien con la carcasa de la secadora y estar en posición horizontal. No ajuste más los tornillos del protector de cables en este momento.

Si el contacto de pared luce como éste:



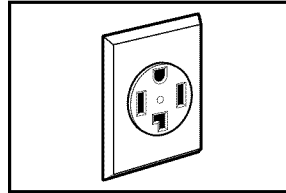
Contacto de 4 hilos (Tipo NEMA 14-30R) para cable de suministro de energía: Vaya a "Conexión con cable de suministro de energía de 4 hilos" en esta paginación.



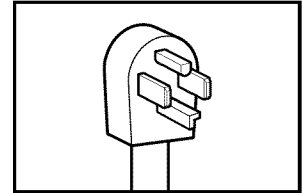
Contacto de 3 hilos (Tipo NEMA 10-30R) para cable de suministro de energía: Vaya a "Conexión con cable de suministro de energía de 3 hilos" en la paginación 28.

Conexión con cable de suministro de energía de 4 hilos

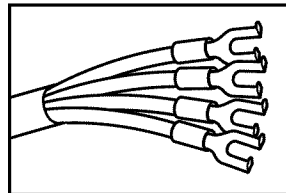
IMPORTANTE: Se necesita una conexión de alambre de 4 hilos para las casas rodantes y para los casos en que los códigos locales no permitan el uso de conexiones de 3 hilos.



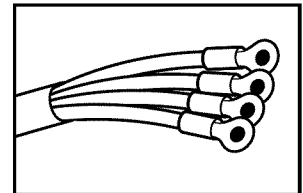
Contacto de 4 hilos (tipo NEMA 14-30R)



Enchufe de 4 terminales

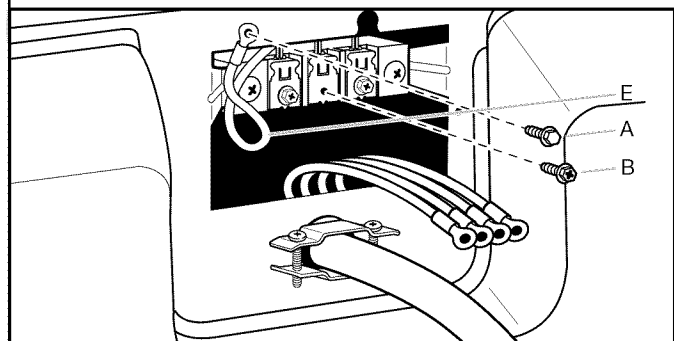


Terminales de horquilla con los extremos hacia arriba



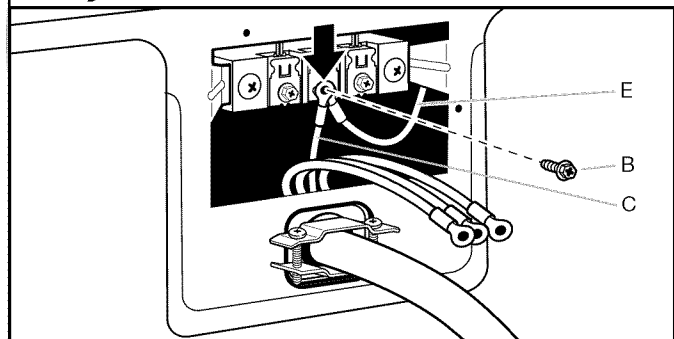
Terminales de anillo

1. Prepárese para conectar el cable neutro a tierra y el alambre neutro



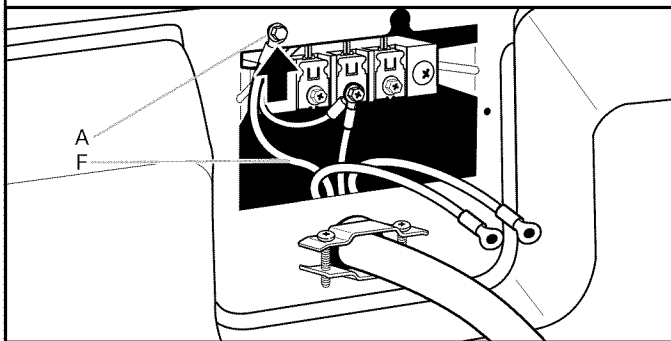
Saque el tornillo central del bloque de terminal (B). Saque el hilo neutro de puesta a tierra (E) del tornillo conductor a tierra externo (A).

2. Conecte el hilo neutro a tierra y el hilo neutro



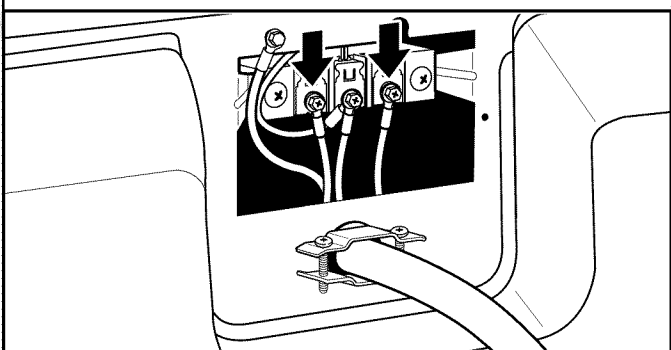
Conecte el hilo neutro de puesta a tierra (E) y el hilo neutro (hilo blanco) (C) del cable de suministro de energía debajo del tornillo central del bloque de terminal (B). Apriete el tornillo.

3. Conecte el hilo a tierra



Conecte el hilo de tierra (F) (verde o desnudo) del cable de suministro eléctrico al tornillo conductor de tierra externo (A). Apriete el tornillo.

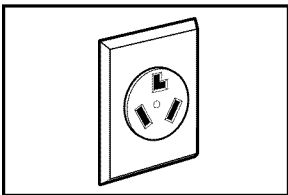
4. Conecte los hilos restantes



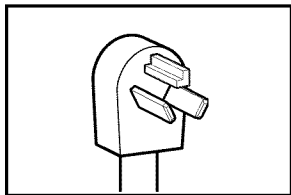
Conecte los hilos restantes a los tornillos externos del bloque de terminal. Apriete los tornillos. Por último vuelva a insertar la lengüeta de la tapa del bloque de terminal dentro de la ranura del panel posterior de la secadora. Asegure la tapa con un tornillo de sujeción. Ahora vaya a "Requisitos de ventilación".

Conexión con cable de suministro de energía de 3 hilos

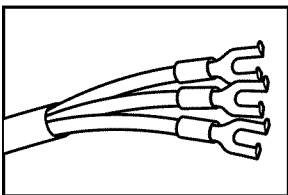
Use cuando los códigos locales permitan la conexión del conductor de tierra de la carcasa al hilo neutro.



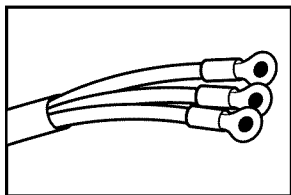
Contacto de 3 hilos (tipo NEMA 10-30R)



Enchufe de 3 terminales

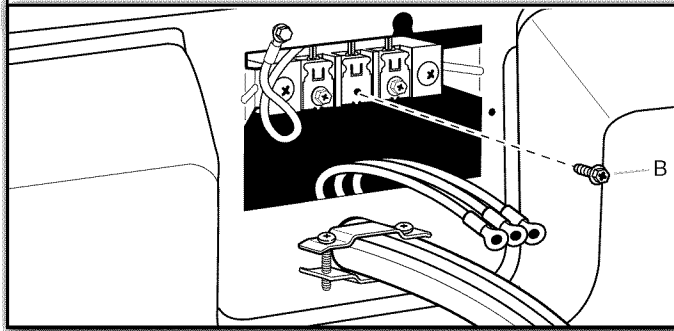


Terminales de horquilla con los extremos hacia arriba



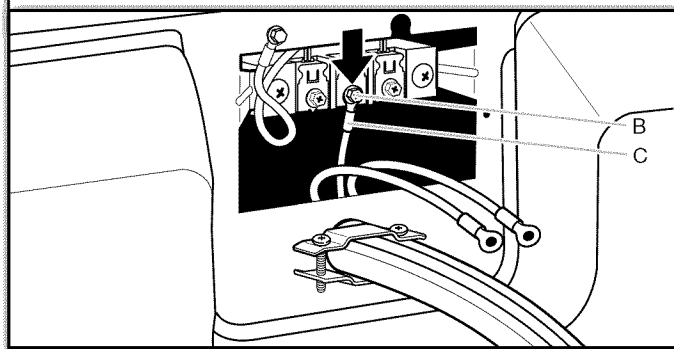
Terminales de anillo

1. Quite el tornillo central



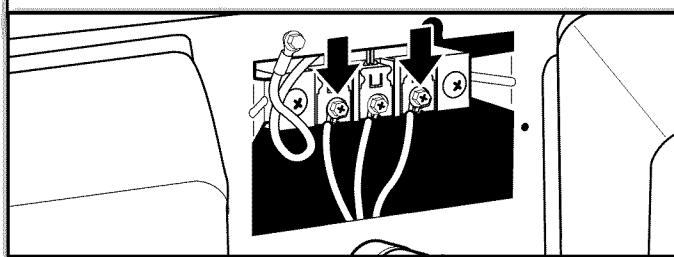
Saque el tornillo central del bloque de terminal (B).

2. Conecte el hilo neutro



Conecte el hilo neutro (C) (hilo blanco o central) del cable de suministro eléctrico al tornillo central (B) del bloque de terminal. Apriete el tornillo.

3. Conecte los hilos restantes

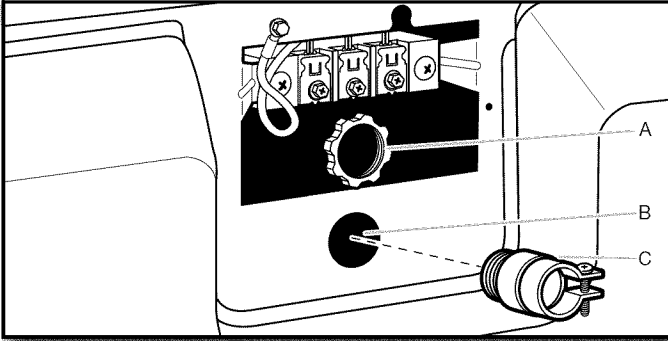


Conecte los hilos restantes a los tornillos externos del bloque de terminal. Apriete los tornillos. Por último vuelva a insertar la lengüeta de la tapa del bloque de terminal dentro de la ranura del panel posterior de la secadora. Asegure la tapa con un tornillo de sujeción. Ahora vaya a "Requisitos de ventilación".

Conexión por cable directo

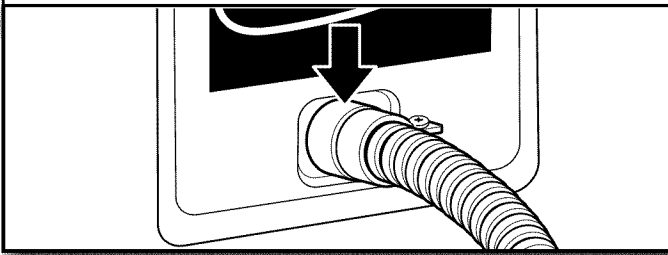
Protector de cables para cable directo

1. Sujete el protector de cables para cable directo



Desatornille el conector de conducto removible (A) y cualquier tornillo del protector de cables de 3/4" (19 mm) que esté en la lista de UL (con la marca UL en el protector de cables). Haga pasar la sección roscada del protector de cables (C) a través del orificio que está debajo de la abertura del bloque de terminal (B). Busque dentro de la abertura del bloque de terminal y atornille el conector de conducto removible (A) sobre las roscas del protector de cables.

2. Sujete el cable directo al protector de cables



Haga pasar el cable directo a través del protector de cables. El protector de cables deberá encajar bien con la carcasa de la secadora y estar en posición horizontal. Apriete el tornillo del protector de cables contra el cable directo.

Si el cableado luce como éste:



Conexión directa de 4 hilos:
Vaya a "Conexión por cable directo de 4 hilos" en esta paginación.

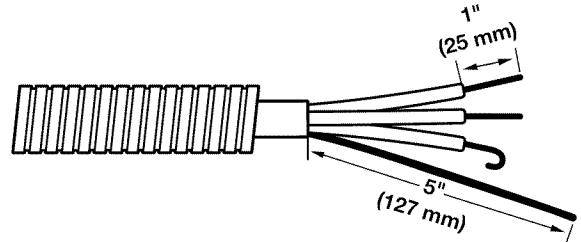


Conexión directa de 3 hilos:
Vaya a "Conexión por cable directo de 3 hilos" en la paginación 30.

Conexión por cable directo de 4 hilos

IMPORTANTE: Se necesita una conexión de alambre de cuatro hilos para las casas rodantes y para los casos en que los códigos locales no permitan el uso de conexiones de 3 hilos.

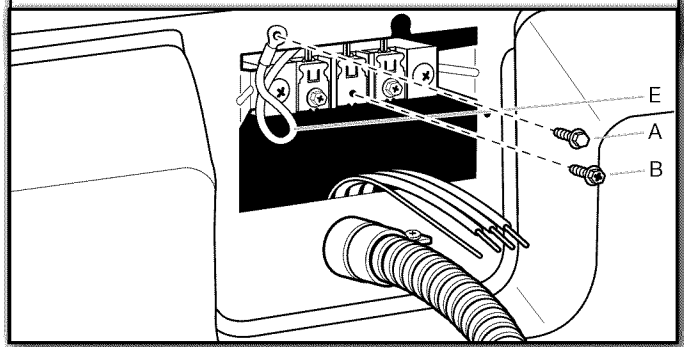
1. Prepare el cable de 4 hilos para la conexión directa



El cable de conexión directa debe tener 5 pies (1,52 m) extra de largo para poder mover la secadora si fuese necesario.

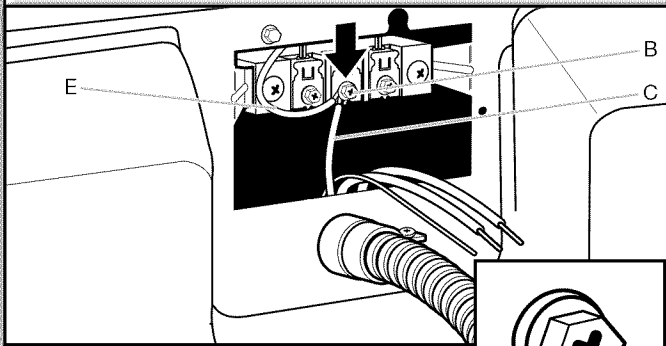
Pele 5" (127 mm) de la cubierta exterior desde el extremo del cable, dejando el hilo de tierra desnudo a 5" (127 mm). Corte 1½" (38 mm) de los 3 hilos restantes. Pele el aislamiento 1" (25 mm) hacia atrás. Doble los extremos de los hilos para formar un gancho.

2. Prepárese para conectar el cable neutro a tierra y el alambre neutro



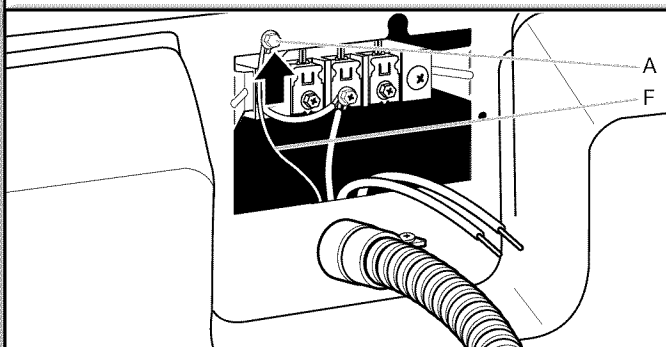
Saque el tornillo central del bloque de terminal (B). Saque el hilo de tierra neutro (E) del tornillo conductor de tierra externo (A).

3. Conecte el hilo neutro a tierra y el hilo neutro



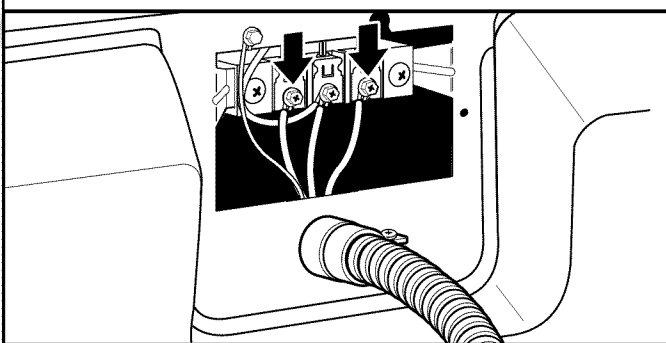
Conecte el hilo neutro de puesta a tierra (E) y coloque el extremo en forma de gancho (gancho mirando hacia la derecha) del hilo neutro (C) (blanco o central), del cable de conexión directa, debajo del tornillo central del bloque de terminal (B). Apriete y junte los extremos en forma de gancho. Apriete el tornillo.

4. Conecte el hilo a tierra



Conecte el hilo de tierra (F) (verde o desnudo) del cable directo de suministro eléctrico al tornillo del conductor de tierra externo (A). Apriete el tornillo.

5. Conecte los hilos restantes

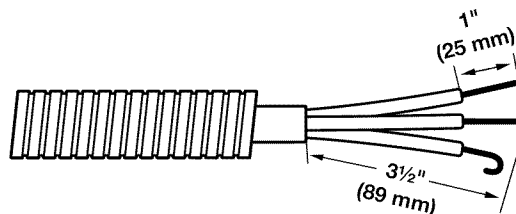


Coloque los extremos en forma de gancho de los hilos restantes del cable de conexión directa debajo de los tornillos exteriores del bloque de terminal (con los ganchos mirando hacia la derecha). Apriete los extremos en forma de gancho y apriete los tornillos. Por último vuelva a insertar la lengüeta de la tapa del bloque de terminal dentro de la ranura del panel posterior de la secadora. Asegure la tapa con un tornillo de sujeción. Ahora vaya a "Requisitos de ventilación".

Conexión por cable directo de 3 hilos

Use cuando los códigos locales permitan la conexión del conductor de tierra de la carcasa al hilo neutro.

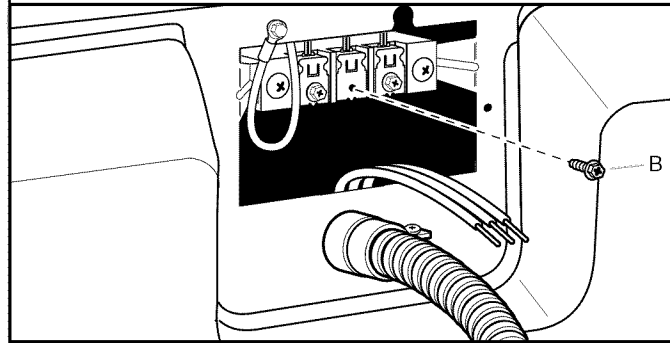
1. Prepare el cable de 3 hilos para la conexión directa



El cable de conexión directa debe tener 5 pies (1,52 m) extra de largo para poder mover la secadora si fuese necesario.

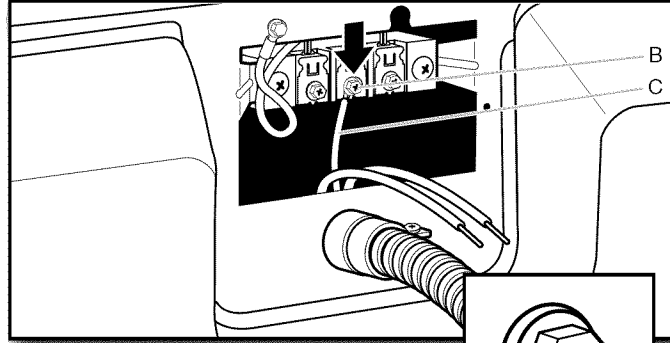
Pele $3\frac{1}{2}$ " (89 mm) de la cubierta exterior desde el extremo del cable. Pele el aislamiento 1" (25 mm) hacia atrás. Si usa un cable trifilar con hilo de tierra, corte el hilo desnudo para que quede nivelado con la cubierta exterior. Doble los extremos de los hilos para formar un gancho.

2. Quite el tornillo central



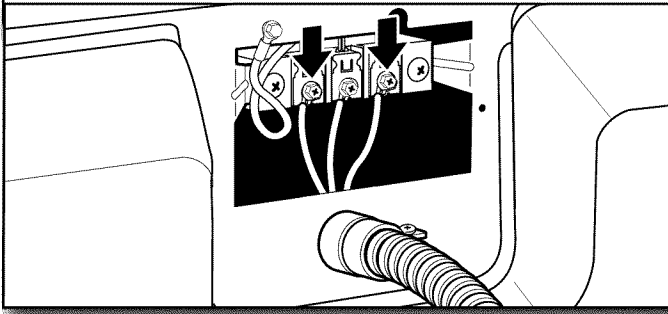
Saque el tornillo central del bloque de terminal (B).

3. Conecte el hilo neutro



Coloque el extremo en forma de gancho del hilo neutro (hilo blanco o central) (C) del cable directo debajo del tornillo central (B) del bloque de terminal. Apriete y junte el extremo en forma de gancho. Apriete el tornillo.

4. Conecte los hilos restantes

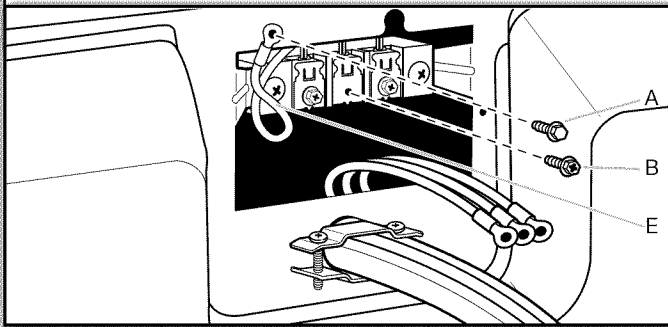


Coloque los extremos en forma de gancho de los hilos restantes del cable de conexión directa debajo de los tornillos exteriores del bloque de terminal (con los ganchos mirando hacia la derecha). Apriete los extremos en forma de gancho y apriete los tornillos. Por último vuelva a insertar la lengüeta de la tapa del bloque de terminal dentro de la ranura del panel posterior de la secadora. Asegure la tapa con un tornillo de sujeción. Ahora vaya a "Requisitos de ventilación".

Conexión opcional de 3 hilos

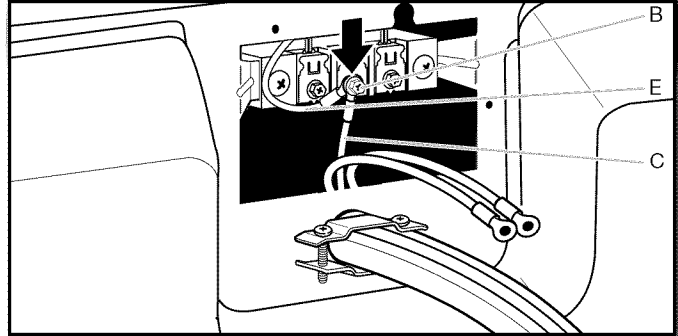
Antes de hacer la conexión, usted deberá verificar con un electricista competente que este método de conexión a tierra sea aceptable.

1. Prepárese para conectar el cable neutro a tierra y el alambre neutro



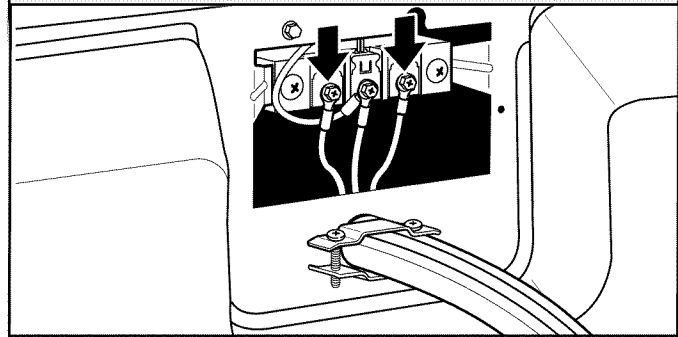
Saque el tornillo central del bloque de terminal (B). Saque el hilo de tierra neutro (E) del tornillo conductor de tierra externo (A).

2. Conecte el hilo neutro a tierra y el hilo neutro



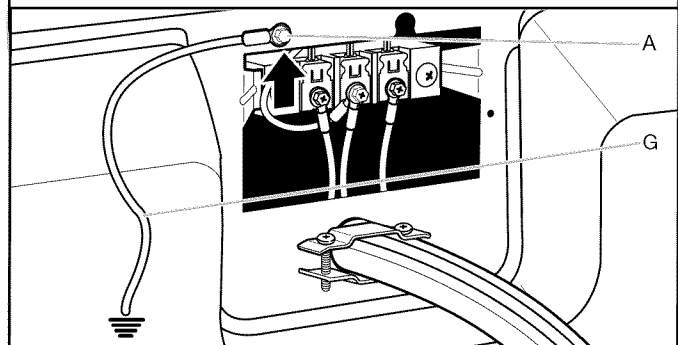
Conecte hilo neutro de tierra (E) y el hilo neutro (C) (hilo blanco o central) del cable de suministro eléctrico, debajo del tornillo central del bloque de terminal (B). Apriete el tornillo.

3. Conecte los hilos restantes



Coloque los extremos en forma de gancho de los hilos restantes debajo de los tornillos exteriores del bloque de terminal (con los ganchos mirando hacia la derecha). Apriete los tornillos.

4. Conecte el hilo externo a tierra



Conecte un hilo a tierra de cobre separado (G) desde el tornillo conductor a tierra externo (A) a una conexión a tierra adecuada. Por último vuelva a insertar la lengüeta de la tapa del bloque de terminal dentro de la ranura del panel posterior de la secadora. Asegure la tapa con un tornillo de sujeción. Ahora vaya a "Requisitos de ventilación".

VENTILACIÓN

Requisitos de ventilación

⚠️ ADVERTENCIA



Peligro de Incendio

Use un ducto de escape de metal pesado.

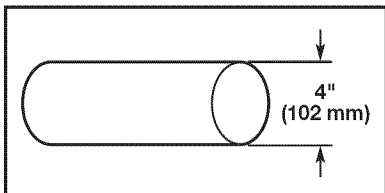
No use un ducto de escape de plástico.

No use un ducto de escape de aluminio.

No seguir estas instrucciones puede ocasionar la muerte o incendio.

ADVERTENCIA: Para reducir el riesgo de incendio, esta secadora DEBE VENTILARSE HACIA EL EXTERIOR. **IMPORTANTE:** Observe todas las normas y ordenanzas vigentes.

El ducto de escape de la secadora no debe conectarse en ningún ducto de escape de gas, chimenea, pared, techo, desván, espacio angosto o el espacio oculto de un edificio. Deberá usarse solamente un ducto de metal rígido o flexible para el escape.



Ducto de escape de metal pesado de 4" (102 mm)

- Sólo puede usarse un ducto de escape de metal pesado de 4" (102 mm) y abrazaderas.
- No use ducto de escape de plástico o de hoja de metal.

Ducto de escape de metal rígido:

- Se recomienda para un mejor desempeño en el secado y para evitar que se aplaste o se tuerza.

Ducto de escape de metal flexible: (Es aceptable sólo si es accesible para la limpieza)

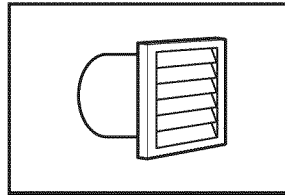
- Deberá extenderse por completo y tener soporte en la ubicación final de la secadora.
- Quite el exceso del mismo para evitar que se doble y se tuerza, lo cual podría dar lugar a una reducción del flujo de aire y a un rendimiento insuficiente.
- No instale un ducto de escape de metal flexible en paredes, techos o pisos encerrados.
- El largo total no debe exceder 7 ³/₄ pies (2,4 m).

NOTA: Si se usa un sistema de ventilación existente, limpie la pelusa que está en toda la longitud del sistema y asegúrese de que la capota de ventilación no esté obstruida con pelusa. Reemplace los ductos de escape de plástico o de hoja de metal por ductos de metal rígido o de metal flexible. Revise el cuadro del sistema de ventilación y si es necesario modifique el sistema de ventilación existente para lograr el mejor desempeño de secado.

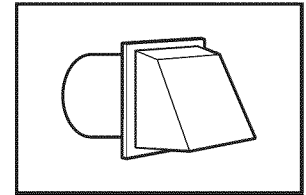
Capotas de ventilación:

- Deberán estar a por lo menos 12" (305 mm) desde el piso o cualquier objeto que pueda obstruir la salida (tales como flores, rocas, arbustos o nieve).

Estilos recomendados:

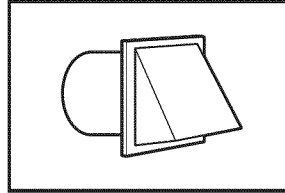


Capota tipo persiana



Capota tipo caja

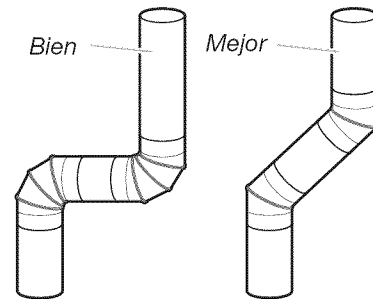
Estilo aceptable:



Capota angular

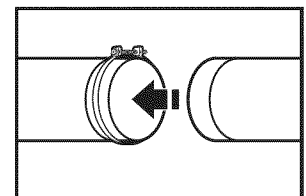
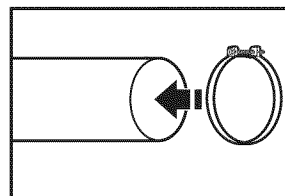
Codos:

- Los codos de 45° proveen un mejor flujo de aire que los codos de 90°.



Abrazaderas:

- Utilice abrazaderas para sellar todas las juntas.
- No debe conectarse ni asegurarse el ducto de escape con tornillos ni con ningún otro dispositivo que se extienda hacia el interior de dicho ducto y atrape pelusa. No utilice cinta adhesiva para conductos.



La ventilación inadecuada puede ocasionar la acumulación de humedad y pelusa en la casa, lo cual puede dar como resultado:

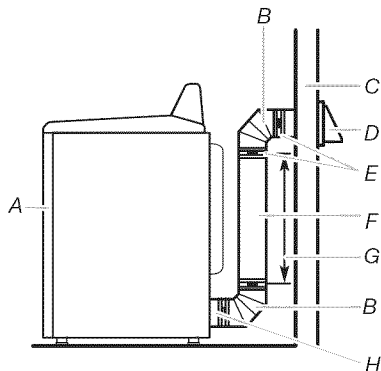
- Daños de humedad en la carpintería, muebles, pintura, empapelado, alfombras, etc.
- Problemas en la limpieza de la casa y de salud.

Para obtener más información, vea "Juegos de ventilación".

Planificación del sistema de ventilación

Instalaciones recomendadas de escape

Las instalaciones típicas tienen la ventilación en la parte posterior de la secadora. Otras instalaciones son posibles.



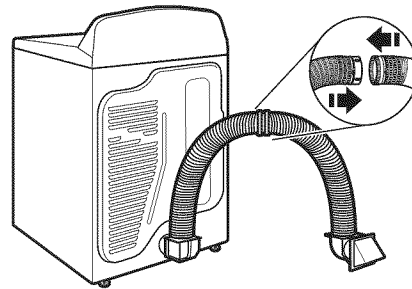
- | | |
|--------------------------|---|
| A. Secadora | E. Abrazaderas |
| B. Codo | F. Ducto de escape de metal rígido o de metal flexible |
| C. Pared | G. Longitud necesaria del ducto de escape para conectar los codos |
| D. Capota de ventilación | H. Salida de ventilación |

Instalaciones opcionales de escape:

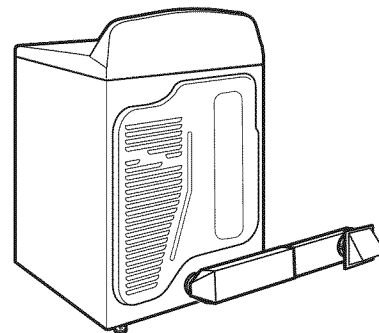
Cada juego incluye instrucciones paso a paso. Para obtener información sobre el pedido, vea "Juegos de ventilación".

Instalaciones alternas para espacios limitados

Los sistemas de ventilación vienen en una amplia gama. Seleccione el tipo más apropiado para su instalación. A continuación se ilustran dos tipos de instalación para espacios limitados. Consulte las instrucciones del fabricante.



Instalación en la parte superior (también está disponible con un codo de desviación)



Instalación de periscopio

NOTA: Se pueden adquirir los siguientes juegos para instalaciones alternas en espacios limitados.

⚠ ADVERTENCIA

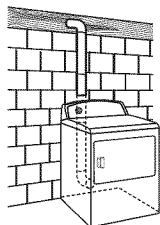


Peligro de incendio

Cubra los orificios de escape no usados con un juego de cubierta para orificios de escape del fabricante.

Comuníquese con su distribuidor local.

No seguir estas instrucciones puede ocasionar la muerte, incendio, choque eléctrico, o lesiones graves.



Instalación estándar con ventilación en la parte posterior

Juegos de ventilación

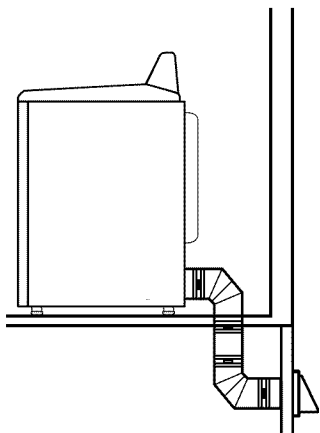
Para obtener más información, llame al **1-800-469-4663**, o visítenos en www.sears.com. En Canadá, llame al **1-800-469-4663** o visítenos en www.sears.ca.

Número de pieza	Descripciones
8171587RP	Periscopio metálico de 0" a 5"
4396037RP	Periscopio metálico de 0" a 18"
4396011RP	Periscopio metálico de 18" a 29"
4396014	Periscopio metálico de 29" a 50"
4392892	Periscopio metálico DuraVent™ para pared
4396028	Juego de ventilación Sure Connect™ (instalación por la parte superior)
4396009RP	Ducto de conexión universal de 5', ducto de escape flexible para secadora
4296010RP	Ducto escape de 6' SecureConnect™, ducto de escape flexible para secadora

Número de pieza	Descripciones
4396013RB	Juego para el instalador del ducto de escape para secadora
4396033RP	Ducto de escape flexible de 5' y abrazaderas
4396727RP	Ducto de escape flexible de 8' y abrazaderas
4396004	Codo de desviación para secadora
4396005	Codo de desviación para pared
4396006RW	Codo para espacios reducidos DuraSafe™
4396007RW	Capota de ventilación a través de la pared
4396008RP	Abrazaderas de acero de 4" para ducto de escape para secadora - paquete de 2
8212662	Capota de ventilación de montaje al ras tipo persiana de 4"

Previsiones especiales para las instalaciones en casas rodantes:

El ducto de escape deberá sujetarse firmemente en un lugar no inflamable de la estructura de la casa rodante y no debe terminar debajo de la casa rodante. El ducto de escape debe terminar en el exterior.



Determinación de la vía del ducto de escape:

- Seleccione la vía que proporcione el trayecto más recto y directo al exterior.
- Planifique la instalación a fin de usar el menor número posible de codos y vueltas.
- Cuando use los codos o haga vueltas, deje todo el espacio que sea posible.
- Doble el ducto gradualmente para evitar torceduras.
- Use la menor cantidad posible de vueltas de 90°.

Determinación de la longitud del ducto de escape y de los codos necesarios para obtener un óptimo rendimiento de secado:

- Use el cuadro del sistema de ventilación a continuación para determinar el tipo de material para ducto y la combinación de capota aceptable a usar.

NOTA: No use tendidos de ducto de escape más largos que los especificados en el cuadro del sistema de ventilación. Los sistemas de ventilación más largos que los especificados:

- Acortarán la vida de la secadora.
- Reducirán el rendimiento, dando lugar a tiempos de secado más largos y un aumento en el consumo de energía.

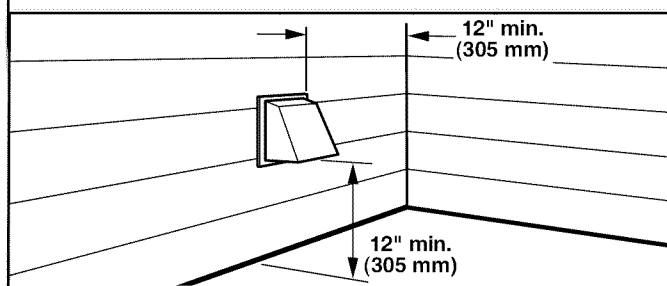
El cuadro del sistema de ventilación indica los requisitos de ventilación que le ayudarán a alcanzar el mejor rendimiento de secado.

Cuadro del sistema de ventilación			
No. de vueltas de 90° o codos	Tipo de ducto	Box/louvered hoods	Angled hoods
0	Metal rígido	64 pies (20 m)	58 pies (17,7 m)
1	Metal rígido	54 pies (16,5 m)	48 pies (14,6 m)
2	Metal rígido	44 pies (13,4 m)	38 pies (11,6 m)
3	Metal rígido	35 pies (10,7 m)	29 pies (8,8 m)
4	Metal rígido	27 pies (8,2 m)	21 pies (6,4 m)

NOTA: Para determinar la longitud máxima de ventilación, agregue una vuelta de 90° al cuadro.

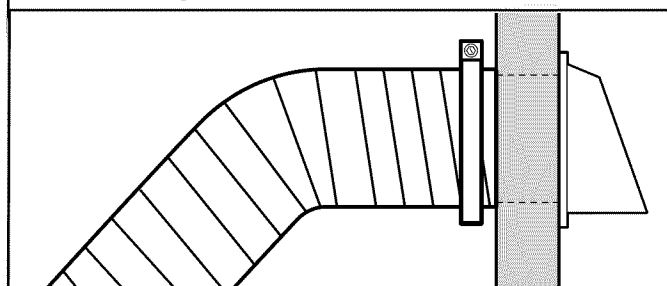
Instalación del sistema de ventilación

1. Instale la capota de ventilación



Instale la capota de ventilación y use compuesto para calafateo para sellar la abertura exterior de la pared alrededor de la capota de ventilación.

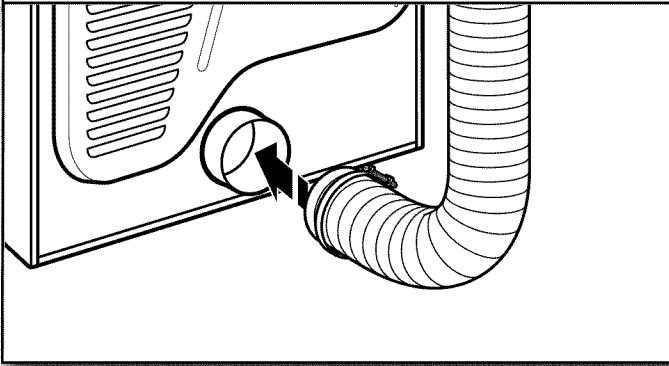
2. Conecte el ducto de escape a la capota de ventilación



El ducto de escape debe encajar sobre la capota de ventilación. Asegure el ducto de escape a la capota de ventilación con una abrazadera de 4" (102 mm). Extienda el ducto de escape a la ubicación de la secadora usando la trayectoria más recta que sea posible. Evite giros de 90°. Utilice abrazaderas para sellar todas las juntas. Para asegurar el ducto de escape, no use cinta para ductos, tornillos ni otros dispositivos de fijación que se extiendan hacia el interior de dicho ducto, ya que pueden atrapar pelusa.

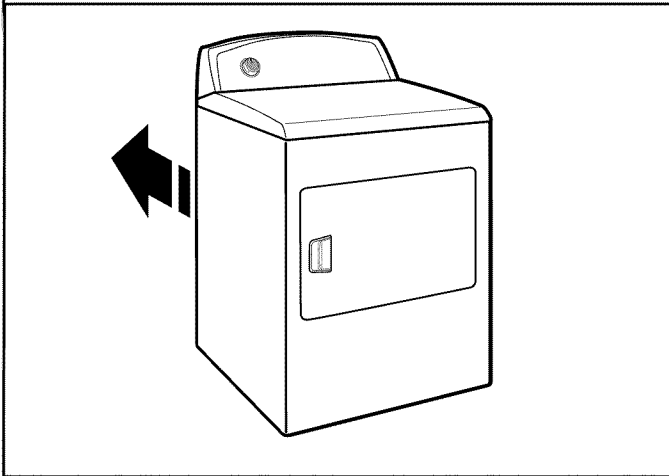
Conexión del ducto de escape

1. Conecte el ducto de escape a la salida de escape



Usando una abrazadera de 4" (102 mm), conecte el ducto de escape a la salida de aire de la secadora. Si se conecta a un ducto de escape existente, asegúrese de que el mismo esté limpio. El ducto de escape de la secadora debe encajar sobre la salida de aire de la secadora y dentro de la capota de ventilación. Cerciórese de que el ducto de escape esté asegurado a la capota de ventilación con una abrazadera de 4" (102 mm).

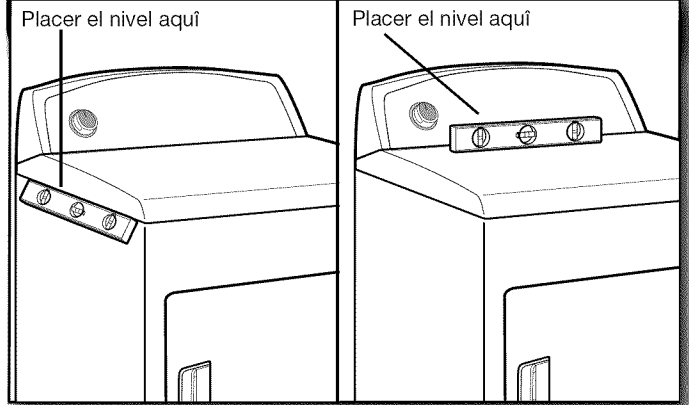
2. Traslade la secadora hacia su ubicación final



Traslade la secadora hacia su ubicación final. Evite aplastar o retorcer el ducto de escape. Después de que la secadora se encuentre en su ubicación final, quite los esquinales y el cartón que están debajo de la misma.

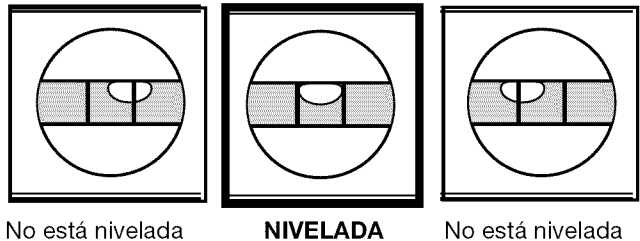
NIVELACION DE LA SECADORA

1. Nivele la secadora

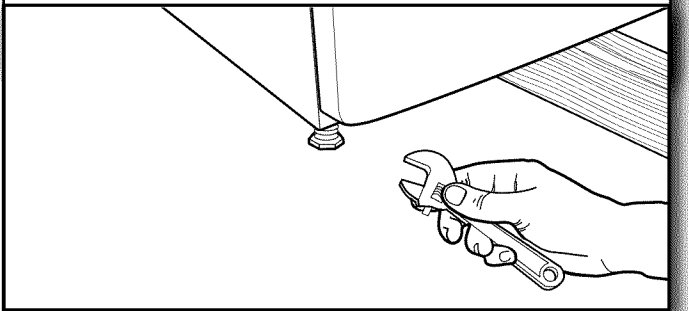


Revise la nivelación de la secadora de lado a lado. Repita el procedimiento de adelante hacia atrás.

NOTA: La secadora debe estar nivelada para que el sistema de detección de humedad funcione correctamente.



2. Regule las patas niveladoras



Si la secadora no está nivelada, levántela colocando un bloque de madera debajo de la misma, use una llave de tuercas para regular las patas hacia arriba o hacia abajo y revise nuevamente si está nivelada. Una vez que las patas estén niveladas, cerciórese de que las cuatro patas.

LISTA DE CONTROL DE LA INSTALACION TERMINADA

- Verifique que todas las piezas estén ahora instaladas. Si hay alguna pieza extra, vuelva a revisar todos los pasos para ver qué se omitió.
- Verifique que tenga todas las herramientas.
- Deshágase de todos los materiales de embalaje o recíclelos.
- Revise la ubicación final de la secadora. Asegúrese de que el ducto de escape no esté aplastado ni retorcido.
- Verifique que la estufa esté nivelada. Vea "Nivelación de la secadora".
- Quite la película que está en la consola y cualquier cinta adhesiva que haya quedado en la secadora.
- Limpie el interior del tambor de la secadora meticulosamente con un paño húmedo, para quitar residuos de polvo.
- Lea "Uso de la secadora" en el "Manual de uso y cuidado".
- Fije la secadora en un ciclo con calor máximo (no en un ciclo de aire) por 20 minutos y póngala en marcha.

Si la secadora no funciona, revise lo siguiente:

- Los controles están situados en un correr o posición "On".
 - Que la secadora esté conectada en un contacto de 3 terminales con conexión a tierra.
 - Que el suministro eléctrico esté conectado.
 - Que el fusible de la casa esté intacto y ajustado, o que no se haya disparado el cortacircuitos.
 - Que la puerta de la secadora esté cerrada.
- Cuando la secadora haya estado funcionando por 5 minutos, abra la puerta y sienta si hay calor. Si siente calor, cancele el ciclo y cierre la puerta.

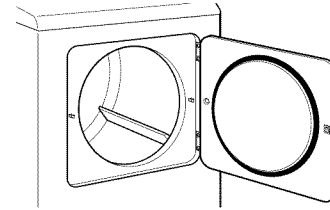
Si no siente calor, apague la secadora y verifique si la válvula de cierre de la línea de suministro de gas está abierta.

- Si la válvula de cierre de la línea de suministro de gas está cerrada, ábrala y repita la prueba de 5 minutos como se ha descrito arriba. Si la válvula de cierre de la línea de suministro de gas está abierta, contacte a un técnico calificado.

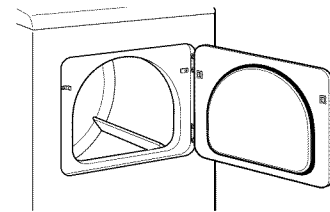
NOTA: Podrá notar un olor cuando la secadora se calienta por primera vez. Este olor es común cuando se usa por primera vez el elemento calefactor. El olor desaparecerá.

CAMBIO DEL SENTIDO DE ABERTURA DE LA PUERTA (OPCIONAL)

Si tiene la puerta grande de abertura lateral, siga los pasos 1 a 6.



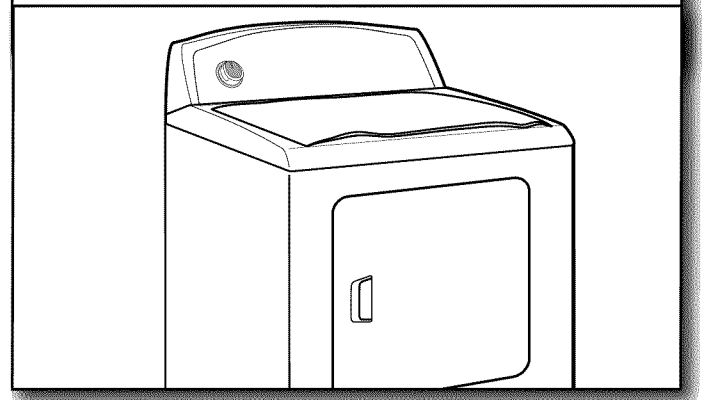
Si tiene la puerta extra ancha de abertura lateral, siga los pasos 1 a 13.



NOTA: Un destornillador imantado es útil.

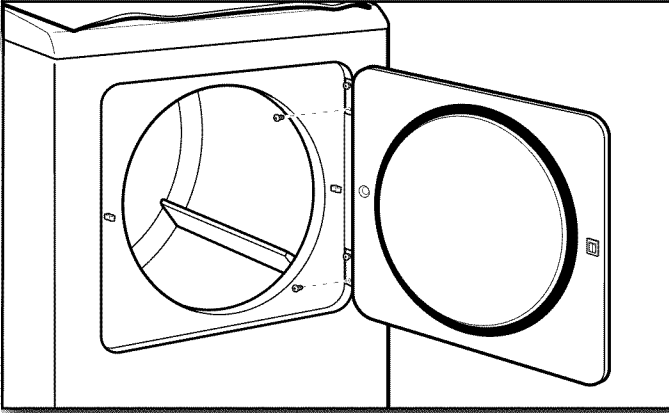
Modelo con puerta ancha de abertura lateral

1. Coloque una toalla sobre la secadora



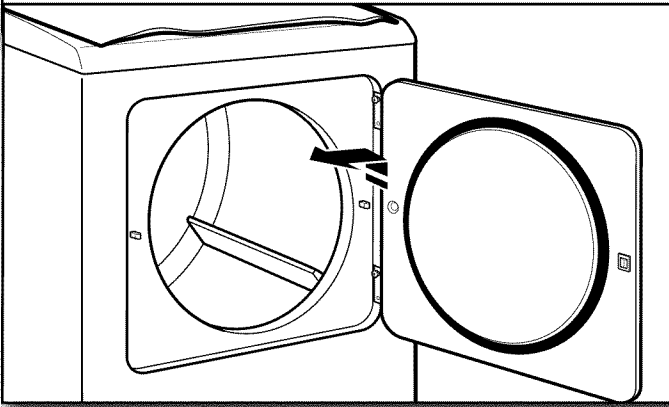
Coloque una toalla encima de la secadora para evitar dañar la superficie.

2. Quite los tornillos de la parte inferior



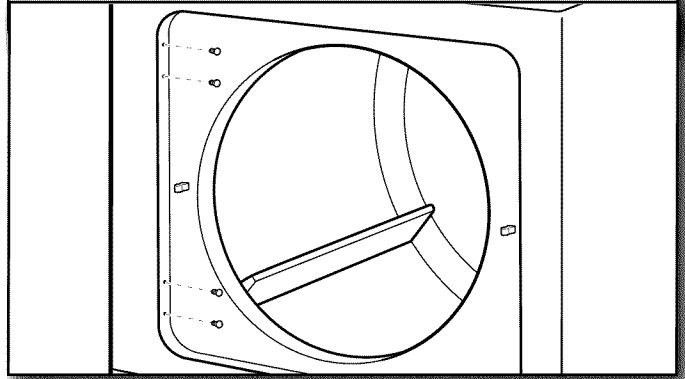
Abra la puerta de la secadora. Extraiga los tornillos inferiores de las bisagras del lado de la carcasa. Afloje (no extraiga) los tornillos superiores de las bisagras del lado de la carcasa.

3. Levante y quite la puerta de los tornillos de la parte superior



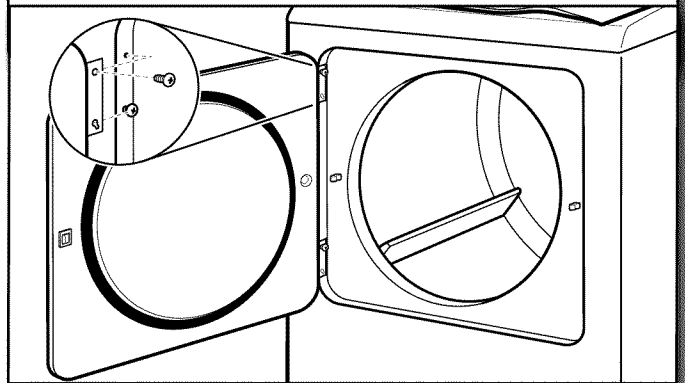
Levante la puerta hasta que los tornillos superiores de la carcasa estén en la parte grande de la ranura de la bisagra. Jale la puerta hacia adelante para separarla de los tornillos. Coloque la puerta encima de la secadora. Extraiga los tornillos superiores de la carcasa de la secadora.

4. Quite y transfiera los tapones de los orificios de la bisagra



Use un destornillador pequeño de hoja plana para quitar con cuidado los cuatro tapones de los orificios de la bisagra que están en el lado izquierdo de la carcasa. Introduzca los tapones en los orificios de la bisagra en el lado opuesto de la carcasa de la secadora.

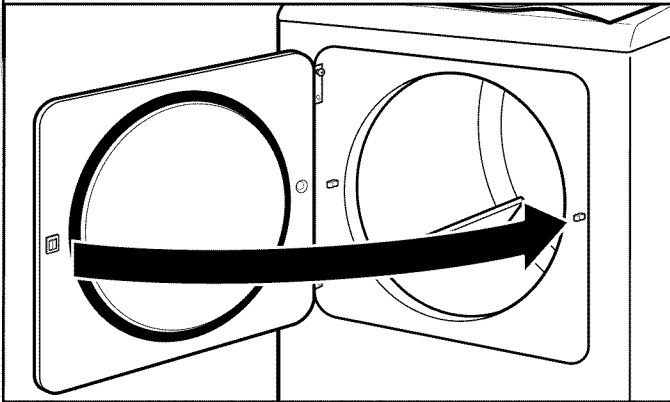
5. Inserte los tornillos en los orificios de la bisagra que está en la carcasa de la secadora



NOTA: Puede ser que necesite la ayuda de dos personas para volver a instalar la puerta.

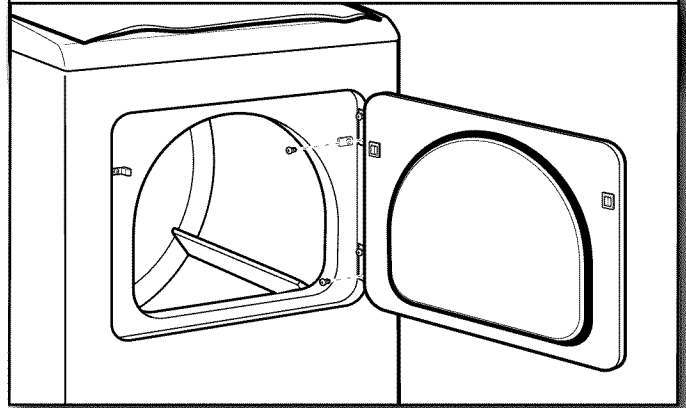
Introduzca los tornillos en los orificios inferiores en el lado izquierdo de la carcasa de la secadora. Atorníllelos por la mitad. Coloque la puerta de tal forma que el extremo grande de la ranura de la bisagra, y a su vez de la puerta, esté encima de los tornillos. Deslice la puerta hacia arriba para que los tornillos estén en la parte inferior de las ranuras. Apriete los tornillos. Introduzca y apriete los tornillos superiores en las bisagras.

6. Revise el alineamiento del tope de la puerta



Cierre la puerta y asegúrese de que el tope de la puerta está alineado con el seguro de la puerta. Si es necesario, deslice el seguro de la puerta hacia la izquierda o derecha dentro de la ranura para ajustar la alineación.

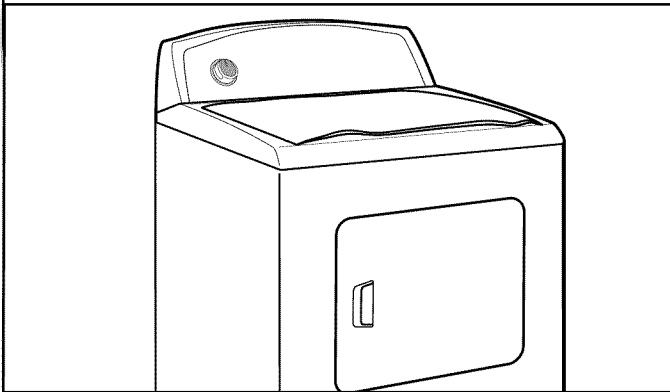
2. Quite los tornillos de la parte inferior



Abra la puerta de la secadora. Extraiga los tornillos inferiores de las bisagras del lado de la carcasa. Afloje (no extraiga) los tornillos superiores de las bisagras del lado de la carcasa de la secadora.

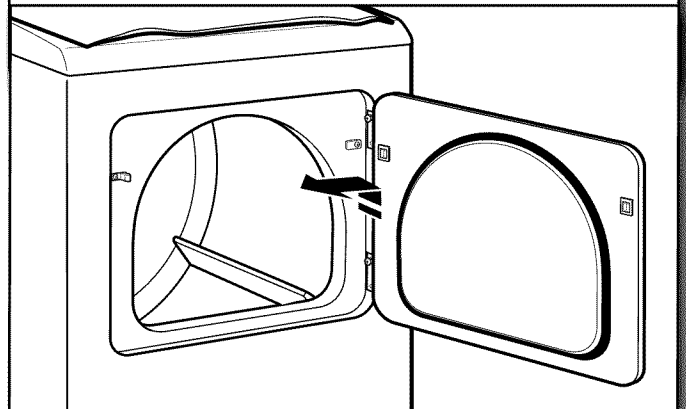
Puerta extra ancha de abertura lateral

1. Coloque una toalla sobre la secadora



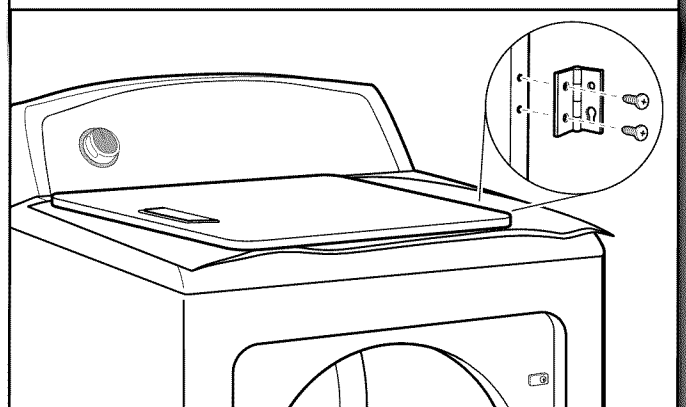
Coloque una toalla encima de la secadora para evitar dañar la superficie.

3. Levante y quite la puerta de los tornillos de la parte superior



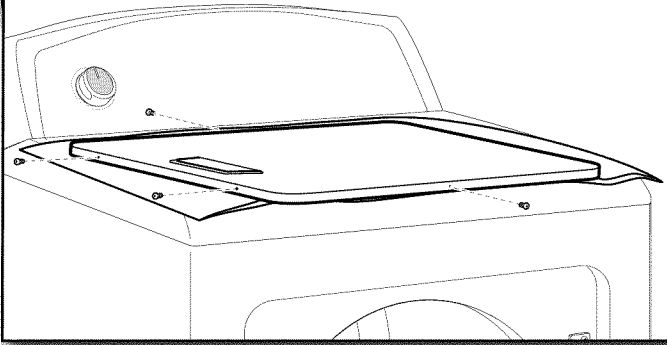
Levante la puerta hasta que los tornillos superiores de la carcasa estén en la parte grande de la ranura de la bisagra. Jale la puerta hacia adelante para separarla de los tornillos. Coloque la puerta (con el lado de la manija hacia arriba) encima de la secadora. Extraiga los tornillos superiores de la carcasa de la secadora.

4. Quite los tornillos de las bisagras



Quite los tornillos que unen las bisagras con la puerta.

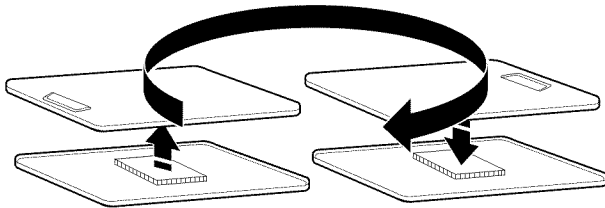
5. Quite los tornillos de la puerta



Quite los tornillos de la parte superior, inferior y lateral de la puerta (4 tornillos). Mantenga los tornillos de la puerta separados de los tornillos de la bisagra, ya que son de distintos tamaños. Sosteniendo la puerta sobre la toalla encima de la secadora, sujete los lados de la puerta exterior y levántela para separarla de la puerta interior.

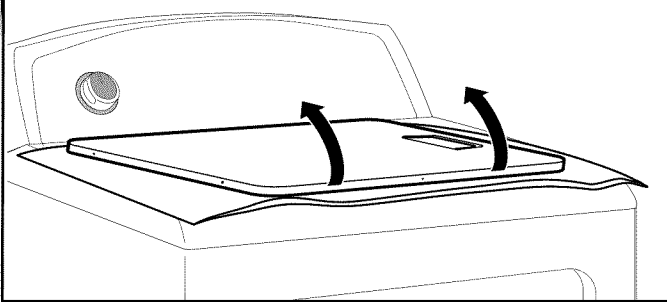
NOTA: No haga palanca con un cuchillo para masilla o un destornillador. No jale el sello de la puerta ni los seguros de plástico de la puerta.

6. Gire la puerta exterior



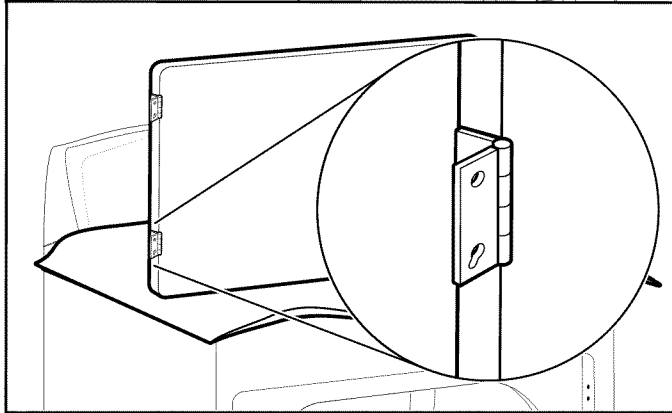
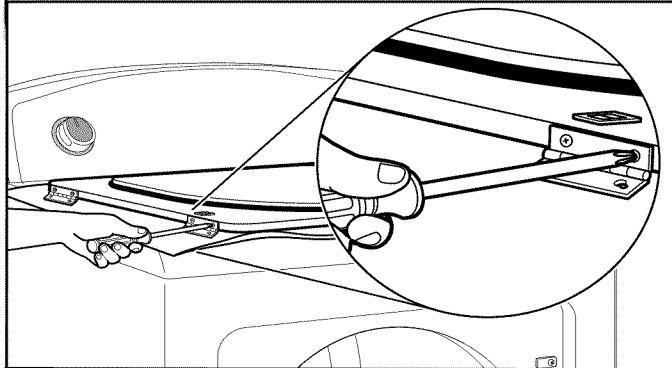
Tome la puerta exterior, gírela 180° y colóquela de nuevo sobre la puerta interior. Asegúrese de mantener el espaciador de cartón centrado entre las puertas. Vuelva a sujetar el panel exterior al panel interior de la puerta, de modo que la manija quede en el lado en donde recién se han quitado las bisagras. Inserte los 4 tornillos de la puerta.

7. Dé vuelta la puerta



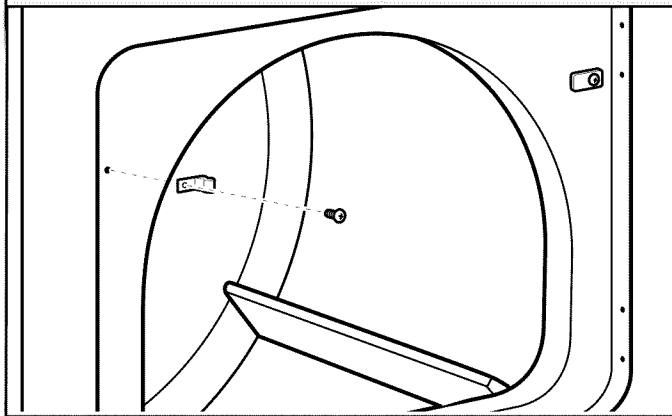
Dé vuelta la puerta de modo que la manija quede hacia abajo.

8. Sujete las bisagras de la puerta



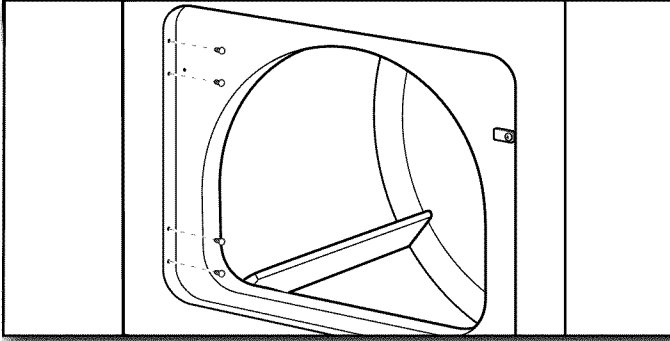
Fije las bisagras de la puerta a la puerta de la secadora, de manera que el orificio más grande quede en la parte inferior de la bisagra.

9. Quite el tope de la puerta



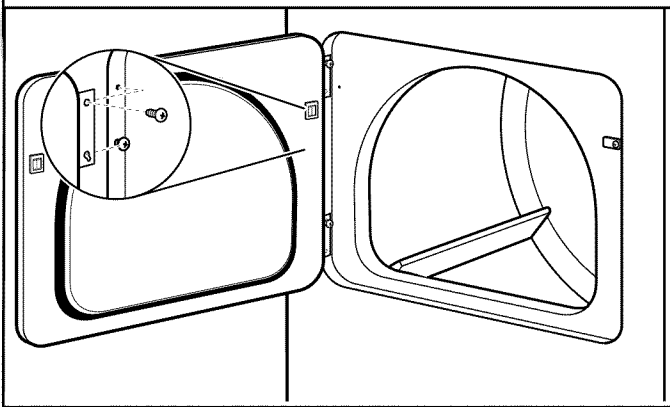
Quite el tope de la puerta de la carcasa de la secadora y colóquelo a un lado.

10. Quite y transfiera los tapones de los orificios de la bisagra



Use un destornillador pequeño de hoja plana para quitar cuidadosamente 4 tapones de los orificios de las bisagras en el lado izquierdo de la carcasa de la secadora. Mueva los tapones de los orificios de la bisagra al lado opuesto de la carcasa de la secadora.

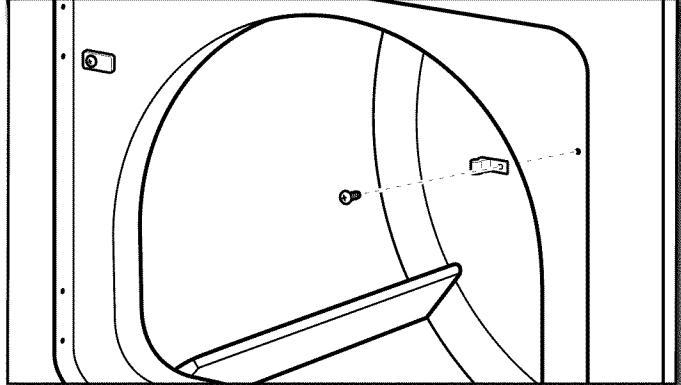
11. Inserte los tornillos en los orificios de la carcasa de la secadora



NOTA: Puede ser que necesite la ayuda de dos personas para instalar la puerta.

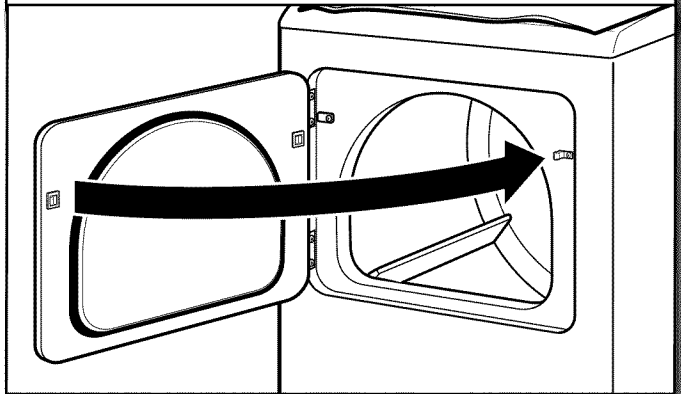
Introduzca los tornillos en los orificios inferiores del lado izquierdo de la carcasa de la secadora. Atorníllelos por la mitad. Coloque la puerta de tal forma que el extremo grande de la ranura de la bisagra esté sobre los tornillos. Deslice la puerta hacia arriba para que los tornillos estén en la parte de abajo de las ranuras. Apriete los tornillos. Introduzca y apriete los tornillos superiores en las bisagras.

12. Saque el tapón del tope de la puerta



Extraiga el tapón del tope de la puerta. Introduzca el tope de la puerta que usted quitó en el paso 9 en el orificio, y asegúrelo con un tornillo. Introduzca el tapón del tope de la puerta en el orificio original del tope de la puerta y asegúrelo con un tornillo.

13. Revise el alineamiento del tope de la puerta



Cierre la puerta y asegúrese de que el tope de la misma esté alineado con el seguro de la puerta. Si es necesario, deslice el seguro de la puerta hacia la izquierda o derecha dentro de la ranura a fin de ajustar la alineación.

SOLUCIÓN DE PROBLEMAS

Consulte "Manual de uso y cuidado" o visite nuestro sitio de internet y consulte Preguntas que se hacen con frecuencia, para evitar posiblemente el costo de una visita de servicio técnico.

NOTAS

NOTAS

NOTAS

Get it fixed, at your home or ours!

Your Home

For troubleshooting, product manuals and expert advice:



www.managemylife.com

For repair – **in your home** – of **all** major brand appliances, lawn and garden equipment, or heating and cooling systems, **no matter who made it, no matter who sold it!**

For the replacement parts, accessories and owner's manuals that you need to do-it-yourself.

For Sears professional installation of home appliances and items like garage door openers and water heaters.

1-800-4-MY-HOME[®] (1-800-469-4663)

Call anytime, day or night (U.S.A. and Canada)

www.sears.com www.sears.ca

Our Home

For repair of carry-in items like vacuums, lawn equipment, and electronics, call anytime for the location of your nearest

Sears Parts & Repair Service Center

1-800-488-1222 (U.S.A.)

www.sears.com

1-800-469-4663 (Canada)

www.sears.ca

To purchase a protection agreement on a product serviced by Sears:

1-800-827-6655 (U.S.A.)

1-800-361-6665 (Canada)

Para pedir servicio de reparación a domicilio, y para ordenar piezas:

1-888-SU-HOGAR[®]

(1-888-784-6427)

www.sears.com

Au Canada pour service en français:

1-800-LE-FOYER^{MC}

(1-800-533-6937)

www.sears.ca

The Sears logo, featuring the word "Sears" in a large, stylized, cursive font.

® Registered Trademark / TM Trademark of KCD IP, LLC in the United States, or Sears Brands, LLC in other countries

® Marca Registrada / TM Marca de Fábrica de KCD IP, LLC en Estados Unidos, o Sears Brands, LLC in otros países

^{MC} Marque de commerce / ^{MD} Marque déposée de Sears Brands, LLC

W10096997A

7/10
Printed in U.S.A.
Impreso en EE.UU.