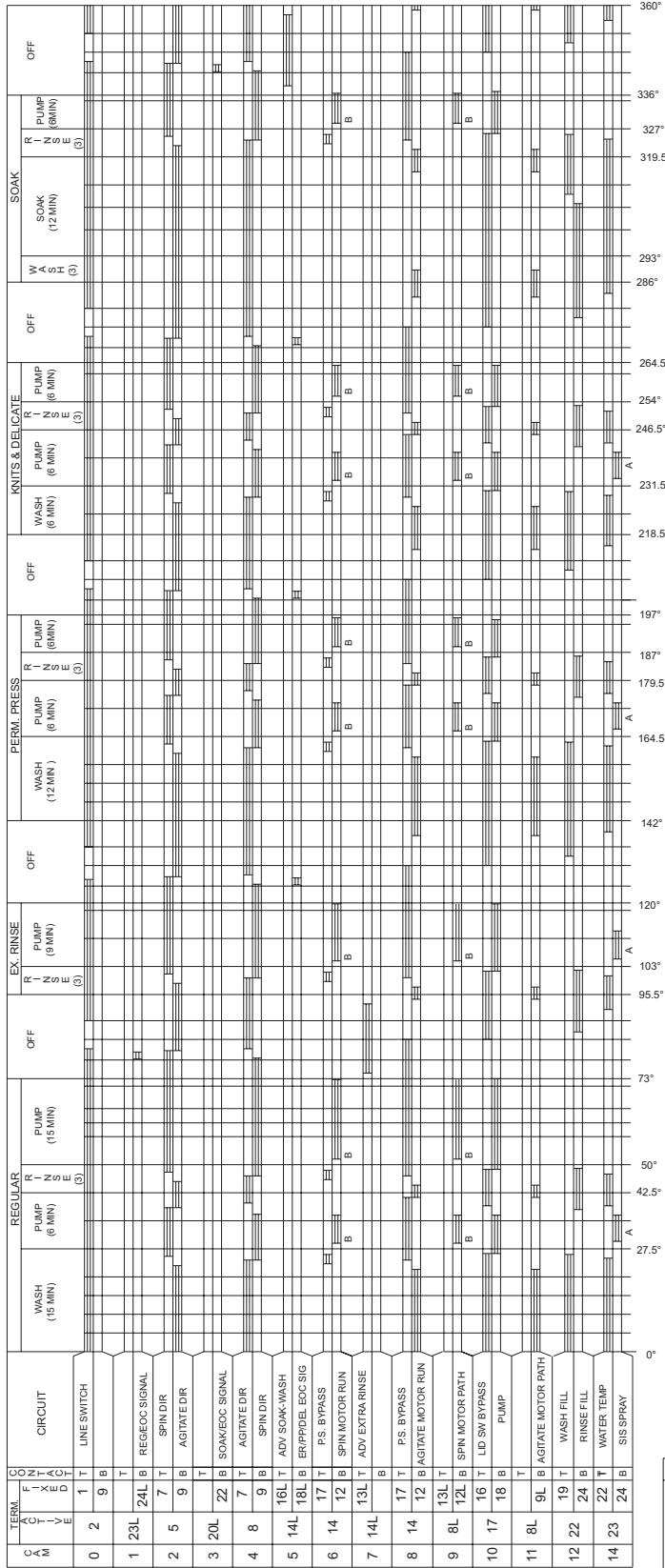
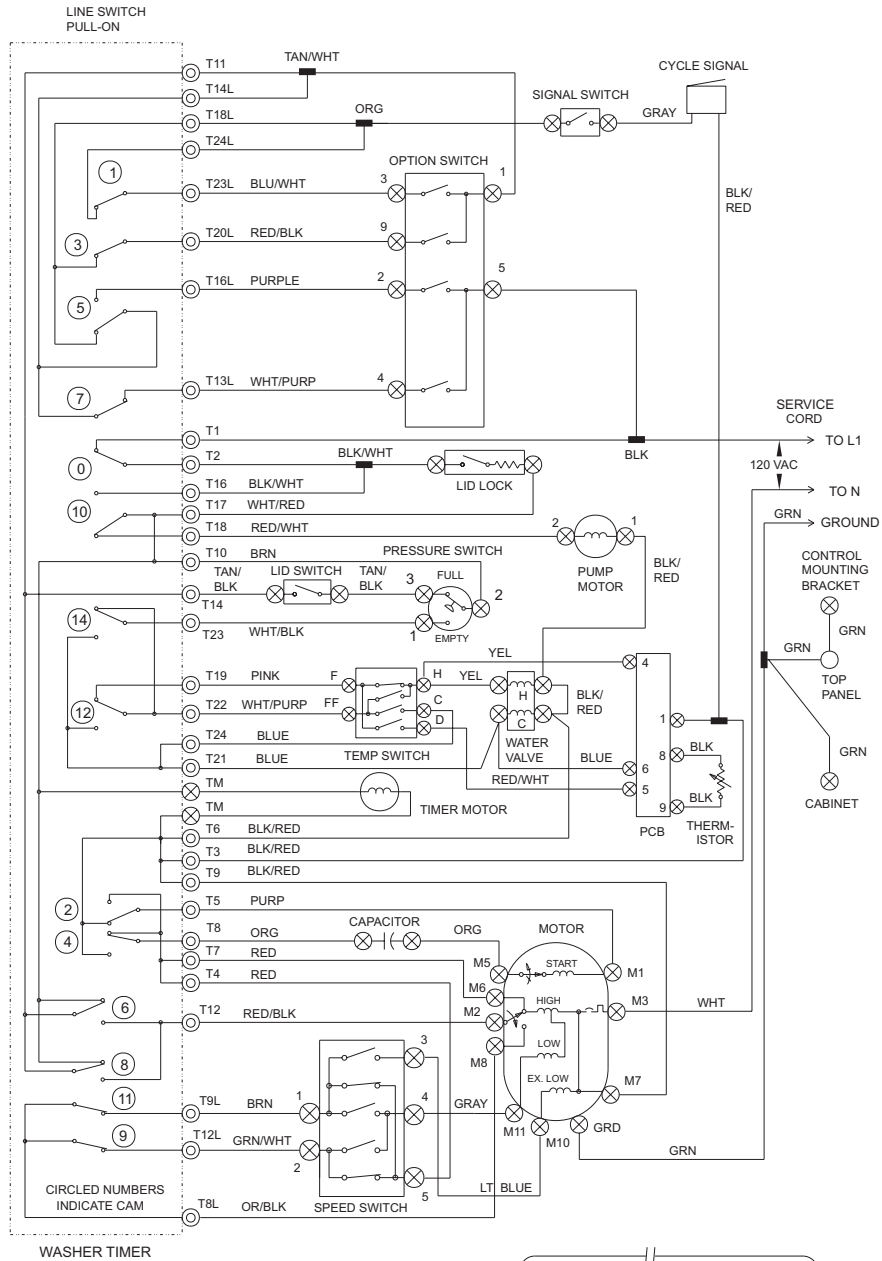


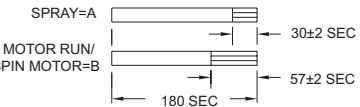
CAUTION: DISCONNECT ELECTRIC CURRENT BEFORE SERVICING



CAUTION: DISCONNECT ELECTRIC CURRENT BEFORE SERVICING



DETAIL FOR SPRAY SUBINTERVAL AND SPIN MOTOR CONTROL CIRCUITS.



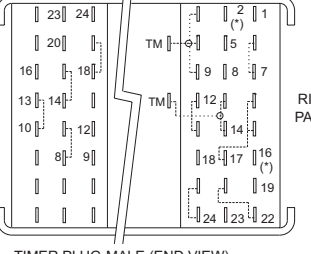
WIRING CODES

- ⊙ PLUG IN TIMER TERMINAL
- ⊗ QUICK DISCONNECT TERMINAL
- SCREW TERMINAL
- CONNECTION
- + NO CONNECTION
- ⊗ MOTOR SWITCH
- SPLICE
- ⊗ MOTOR PROTECTOR
- ⊕ CHASSIS (CABINET) GROUND

TEMPERATURE SWITCH CIRCUIT

WASH/RINSE	F-H	FF-H	FF-C	F-D
H/C	X			
W/C	X		X	
C/C			X	
W/W		X	X	
R C/C			X	X
R W/C	X			X
R W/W		X		X

H=HOT R=REGULATED
C=COLD
W=WARM



TIMER PLUG-MALE (END VIEW)

SPEED SWITCH CIRCUIT

AGIT/SPIN	1-5	1-4	2-4	2-5	1-3
N/F	X			X	
G/F		X		X	
G/S		X	X		
EG/S			X	X	X

N=NORMAL F=FAST EG=EXTRA GENTLE
G=GENTLE S=SLOW

OPTION SWITCH

POS	OPTION	1-9	1-3	5-4	5-2
1	POWER SCRUB/ EXTRA RINSE			X	X
2	EXTRA RINSE	X		X	
3	POWER SCRUB		X		X
4	OFF	X	X		

X=SWITCH CLOSED