

INSTALLATION INSTRUCTIONS 27" (68.6 CM) AND 30" (76.2 CM) ELECTRIC BUILT-IN CONVECTION MICROWAVE OVEN

INSTRUCTIONS D'INSTALLATION FOUR À MICRO-ONDES ENCASTRÉ ÉLECTRIQUE À CONVECTION DE 27" (68,6 CM) ET 30" (76,2 CM)

Table of Contents/Table des matières

BUILT-IN MICROWAVE OVEN SAFETY2	SÉCURITÉ DU FOUR À MICRO-ONDES ENCASTRÉ9
INSTALLATION REQUIREMENTS3	EXIGENCES D'INSTALLATION10
Tools and Parts3	Outils et pièces.....10
Location Requirements3	Exigences d'emplacement.....10
Electrical Requirements5	Spécifications électriques12
INSTALLATION INSTRUCTIONS6	INSTRUCTIONS D'INSTALLATION13
Prepare Built-In Microwave Oven6	Préparation du four à micro-ondes encastré.....13
Assemble Spacer Kit.....6	Assemblage de la trousse d'entretoise.....13
Install Spacer Kit6	Installation de la trousse d'entretoise13
Make Electrical Connection6	Raccordement électrique.....13
Install Microwave Oven8	Installation du four à micro-ondes15
Complete Installation8	Achever l'installation15

BUILT-IN MICROWAVE OVEN SAFETY

Your safety and the safety of others are very important.

We have provided many important safety messages in this manual and on your appliance. Always read and obey all safety messages.



This is the safety alert symbol.

This symbol alerts you to potential hazards that can kill or hurt you and others.

All safety messages will follow the safety alert symbol and either the word "DANGER" or "WARNING."

These words mean:

⚠ DANGER

You can be killed or seriously injured if you don't immediately follow instructions.

⚠ WARNING

You can be killed or seriously injured if you don't follow instructions.

All safety messages will tell you what the potential hazard is, tell you how to reduce the chance of injury, and tell you what can happen if the instructions are not followed.

INSTALLATION REQUIREMENTS

Tools and Parts

Gather the required tools and parts before starting installation. Read and follow the instructions provided with any tools listed here.

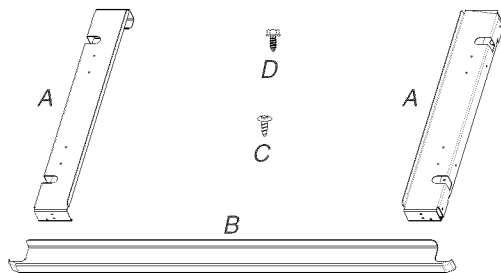
Tools needed

- Phillips screwdriver
- Measuring tape
- Level
- Drill
- 1/8" (3.2 mm) drill bit

Parts needed

- A UL listed or CSA approved conduit connector
- UL listed wire connectors

Parts supplied



- A. Spacer bars (2)
- B. Bottom vent (1)
- C. Phillips head screws (2)
- D. 3/4" pan head screws (4)

Check local codes. Check existing electrical supply. See "Electrical Requirements."

It is recommended that all electrical connections be made by a licensed, qualified electrical installer.

Location Requirements

IMPORTANT: Observe all governing codes and ordinances.

- Cabinet opening dimensions that are shown must be used. Given dimensions provide minimum clearance with microwave oven.
- Recessed installation area must provide complete enclosure around the recessed portion of the microwave oven.
- Grounded electrical supply is required. See "Electrical Requirements" section.
- Electrical supply junction box should be located 3" (7.6 cm) maximum below the support surface when the microwave oven is installed in a wall cabinet. A 1" (2.5 cm) minimum diameter hole should have been drilled in the right rear or left rear corner of the support surface to pass the appliance cable through to the junction box.

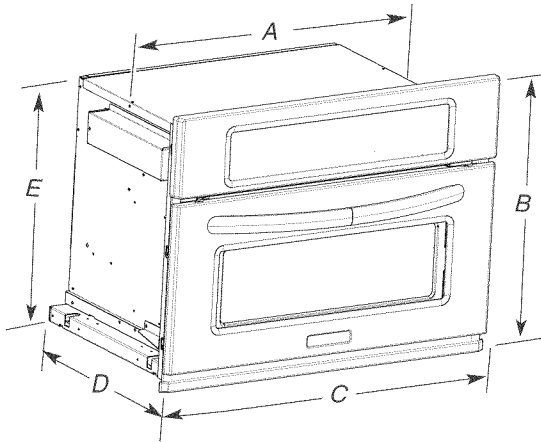
NOTE: For undercounter installations, it is recommended that the junction box be located in the adjacent right or left cabinet. If you are installing the junction box on the rear wall behind the microwave oven, the junction box must be recessed and located in the upper or lower right or left corner of the cabinet. Otherwise, the microwave oven will not fit into the cabinet opening.

- For installation above single built-in oven the junction box must be located inside upper cabinet.
- If you are installing the junction box on rear wall behind the microwave oven, the junction box must be recessed and located in the upper or lower right or left corner of the cabinet; otherwise, the microwave oven will not fit into the cabinet opening.
- Microwave oven support surface must be solid, level and flush with bottom of cabinet cutout. Floor must be able to support a weight of 110 lbs (50.0 kg).

IMPORTANT: To avoid damage to your cabinets, check with your builder or cabinet supplier to make sure that the materials used will not discolor, delaminate or sustain other damage. This oven has been designed in accordance with the requirements of UL and CSA International and complies with the maximum allowable wood cabinet temperatures of 194°F (90°C).

Product Dimensions

27" (68.6 cm) and 30" (76.2 cm) Microwave Ovens



27" (68.6 cm) models

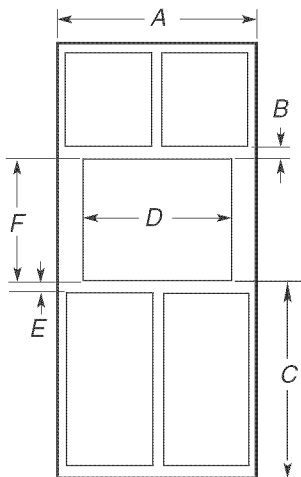
- A. 25 1/4" (64.1 cm) recessed width
- B. 20 5/16" (51.6 cm) overall height
- C. 26 3/4" (67.9 cm) overall width
- D. 22 7/16" (57.0 cm) max. recessed depth
- E. 17 3/4" (45.1 cm) recessed height including spacers

30" (76.2 cm) models

- A. 28 1/4" (71.8 cm) recessed width
- B. 20 5/16" (51.6 cm) overall height
- C. 29 3/4" (75.6 cm) overall width
- D. 22 7/16" (57.0 cm) max. recessed depth
- E. 17 3/4" (45.1 cm) recessed height including spacers

Cabinet Requirements

27" (68.6 cm) and 30" (76.2 cm) Microwave Ovens



27" (68.6 cm) models

- A. 27" (68.6 cm) min. cabinet width
- B. 1" (2.5 cm) top of cutout to bottom of upper cabinet door
- C. 40" (101.2 cm) bottom of cutout to floor (recommended)
- D. 25 1/2" (64.8 cm) cutout width
- E. 1 1/2" (3.8 cm) min. bottom of cutout to top of cabinet door
- F. 19 7/16" (49.4 cm) cutout height

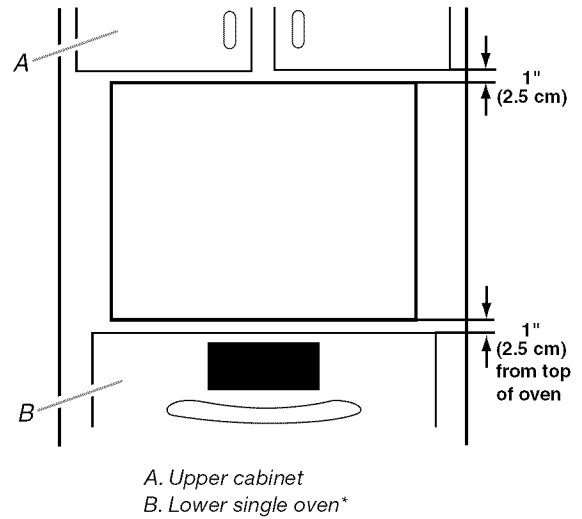
30" (76.2 cm) models

- A. 30" (76.2 cm) min. cabinet width
- B. 1" (2.5 cm) top of cutout to bottom of upper cabinet door
- C. 40" (101.2 cm) bottom of cutout to floor (recommended)
- D. 28 1/2" (72.4 cm) cutout width
- E. 1 1/2" (3.8 cm) min. bottom of cutout to top of cabinet door
- F. 19 7/16" (49.4 cm) cutout height

Minimum Installation Clearances

For proper installation the following minimum clearances must exist between the cabinet openings.

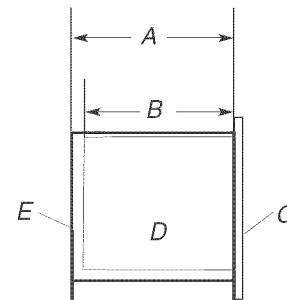
Installation Above Single Built-In Oven



- A. Upper cabinet
- B. Lower single oven*

*Approved models: KEBU107, KEBS107, KEBS177, KEBK101, KEBK171

Cabinet Side View



- A. 23 1/4" (59.1 cm) min. cutout depth
- B. 23" (58.4 cm) recessed oven depth
- C. Oven front
- D. Recessed oven
- E. Cabinet

Electrical Requirements

GROUNDING INSTRUCTIONS

For a permanently connected microwave oven:

The microwave oven must be connected to a grounded, metallic, permanent wiring system, or an equipment grounding conductor should be run with the circuit conductors and connected to the equipment grounding terminal or lead on the microwave oven.

SAVE THESE INSTRUCTIONS

If codes permit and a separate ground wire is used, it is recommended that a qualified electrical installer determine that the ground path and wire gauge are in accordance with local codes.

Check with a qualified electrical installer if you are not sure the microwave oven is properly grounded.

This microwave oven must be connected to a grounded metal, permanent wiring system.

Be sure that the electrical connection and wire size are adequate and in conformance with the National Electrical Code, ANSI/NFPA 70-latest edition or CSA Standards C22.1-94, Canadian Electrical Code, Part 1 and C22.2 No. 0-M91-latest edition, and all local codes and ordinances.

A copy of the above code standards can be obtained from:

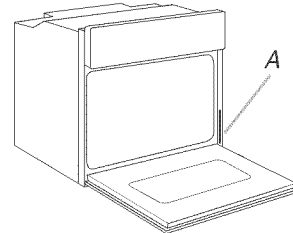
National Fire Protection Association
One Batterymarch Park
Quincy, MA 02269

CSA International
8501 East Pleasant Valley Road
Cleveland, OH 44131-5575

Electrical Connection

To properly install your microwave oven, you must determine the type of electrical connection you will be using and follow the instructions provided for it here.

- Microwave oven must be connected to the proper electrical voltage and frequency as specified on the model/serial number rating plate. The model/serial number rating plate is located on the right-hand microwave oven frame.



A. Model/serial number plate

- When a 4-wire, single phase 208/220 volt, 60 Hz, AC only electrical supply is required, a 20-amp maximum circuit protection is required, fused on both sides of the line.
- A time-delay fuse or circuit breaker is recommended.
- Connect directly to the fused disconnect (or circuit breaker box) through flexible, nonmetallic sheathed, copper cable (with grounding wire). See "Make Electrical Connection" section.
- Flexible cable from the microwave oven should be connected directly to the junction box.
- Do not cut the conduit. The length of conduit provided is for serviceability of the microwave oven.
- A UL listed or CSA approved conduit connector must be provided.
- If the house has aluminum wiring, follow the procedure below:
 1. Connect a section of solid copper wire to the pigtail leads.
 2. Connect the aluminum wiring to the added section of copper wire using special connectors and/or tools designed and UL listed for joining copper to aluminum.

Follow the electrical connector manufacturer's recommended procedure. Aluminum/copper connection must conform with local codes and industry accepted wiring practices.

INSTALLATION INSTRUCTIONS

Prepare Built-In Microwave Oven

1. Locate existing wiring to avoid drilling into or severing wiring during installation.

! WARNING

Excessive Weight Hazard

Use two or more people to move and install microwave oven.

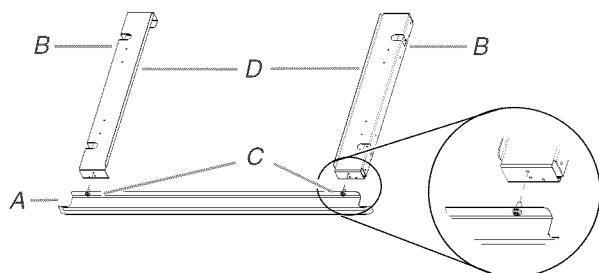
Failure to do so can result in back or other injury.

2. To avoid floor damage, set the microwave oven onto cardboard prior to installation. Do not use the handle or any portion of the front frame for lifting.
3. Remove the shipping materials and tape from the microwave oven.
4. Remove and set aside racks and other items from inside the microwave oven.
5. Remove the hardware package from inside the bag containing literature.
6. Move the microwave oven and cardboard close to the microwave oven's final location.

Assemble Spacer Kit

1. Attach the bottom vent to the spacer bars using two Phillips head screws. Be sure to use the top, center hole in the spacer bars.

NOTE: Guide flanges should face inward.

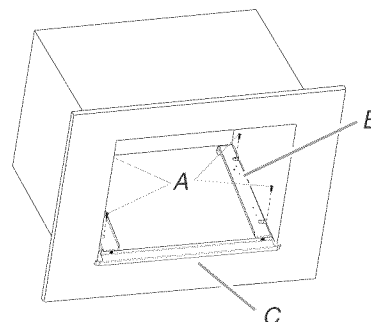


A. Bottom vent
B. Spacer bars
C. Phillips head screws
D. Guide flanges

Install Spacer Kit

1. Center the assembled microwave oven spacer kit in the cabinet cutout. Push the spacer kit back into the cabinet cutout until the bottom trim is flush with the cabinet front.
2. Using a 1/8" (3.2 mm) drill bit, drill through the mounting holes in the spacer bars into the microwave oven support surface to create pilot holes.
3. Attach the assembled spacer kit to the support surface using four 3/4" pan head screws provided. Do not overtighten the screws.

4. Remove the bottom vent (bottom vent will be reattached after the microwave oven is installed).



A. 3/4" pan head screws
B. Spacer kit assembly
C. Bottom vent

Make Electrical Connection

! WARNING



Electrical Shock Hazard

Disconnect power before servicing.

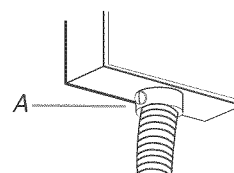
Use 12 gauge solid copper wire.

Electrically ground oven.

Failure to follow these instructions can result in death, fire, or electrical shock.

This microwave oven is manufactured with a neutral (white) power supply wire and a cabinet-connected green (or bare) ground wire twisted together.

1. Disconnect power.
2. Feed the flexible cable conduit from the microwave oven through the opening in the cabinet.
3. Remove junction box cover if it is present.
4. Install a UL listed or CSA approved conduit connector to the junction box.



A. UL listed or CSA approved conduit connector

5. Route the flexible cable conduit from the microwave oven to the junction box through a UL listed or CSA approved conduit connector.
6. Tighten screw on conduit connector.
7. See "Electrical Connection Options Chart" to complete installation for your type of electrical connection.

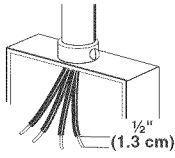
Electrical Connection Options Chart

If your home has:

Go to section:

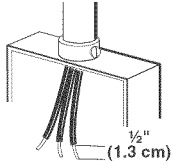
4-wire

4-wire Cable from Home Power Supply



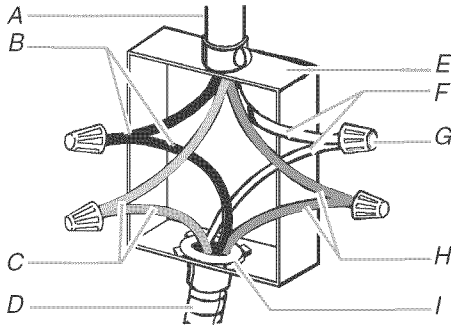
3-wire

3-wire Cable from Home Power Supply



4-Wire Cable from Home Power Supply

IMPORTANT: Use the 4-wire cable from home power supply in the U.S. where local codes do not allow grounding through neutral, New Branch circuit installations (1996 NEC), mobile homes and recreational vehicles, new construction and in Canada.

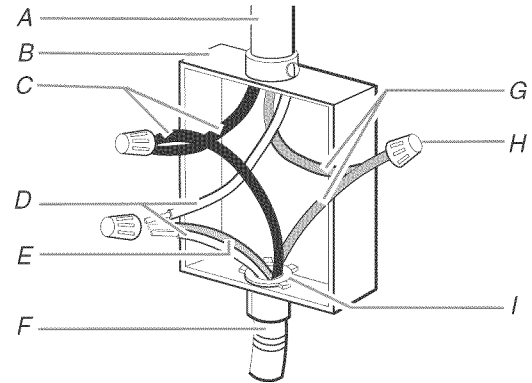


- | | |
|--|--|
| A. Cable from home power supply | F. White wires |
| B. Black wires | G. UL listed wire connectors |
| C. Red wires | H. Green (or bare) ground wires |
| D. 4-wire flexible cable from microwave oven | I. UL listed or CSA approved conduit connector |
| E. Junction box | |

1. Connect the 2 black wires (B) together using a UL listed wire connector.
2. Connect the 2 red wires (C) together using a UL listed wire connector.
3. Untwist white wire from green (or bare) ground wire coming from the microwave oven.
4. Connect the 2 white wires (F) together using a UL listed wire connector.
5. Connect the green (or bare) ground wire (H) from the oven cable to the green (or bare) ground wire (in the junction box) using a UL listed wire connector.
6. Install junction box cover.

3-Wire Cable from Home Power Supply - U.S. Only

IMPORTANT: Use the 3-wire cable from home power supply where local codes permit a 3-wire connection.



- | | |
|--|--|
| A. Cable from home power supply | F. 4-wire flexible cable from microwave oven |
| B. Junction box | G. Red wires |
| C. Black wires | H. UL listed wire connectors |
| D. White wires | I. UL listed or CSA approved conduit connector |
| E. Green (or bare) ground wire (from microwave oven) | |

1. Connect the 2 black wires (C) together using a UL listed wire connector.
2. Connect the 2 white wires (D) and the green (or bare) ground wire (of the microwave oven cable) using a UL listed wire connector.
3. Connect the 2 red wires (G) together using a UL listed wire connector.
4. Install junction box cover.

Install Microwave Oven

⚠ WARNING

Excessive Weight Hazard

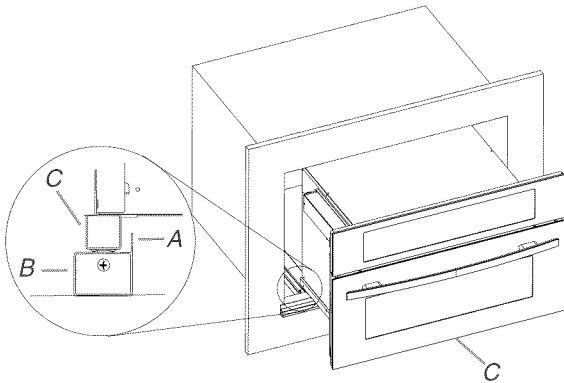
Use two or more people to move and install microwave oven.

Failure to do so can result in back or other injury.

1. Using 2 or more people, lift the microwave oven partially into the cabinet cutout above the spacer bars. Place the microwave oven on top of the spacer bars and to the outside of the guide flanges.

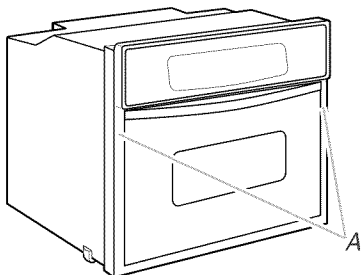
NOTE: Open the microwave oven door and push against the seal area of the microwave oven front frame when pushing the microwave oven into the cabinet. Do not push against the outside edges.

2. Push against the front frame of the microwave oven to push the oven into the cabinet. Push the microwave oven completely into the cabinet and center in the cabinet cutout.



A. Guide flange
B. Spacer bar
C. Microwave oven

3. Using a 1/8" (3.2 mm) drill bit, predrill pilot holes into the cabinet through the holes in the mounting rails on each side of the microwave oven.
4. Securely fasten microwave oven to cabinet using the 2 screws provided. Insert the screws through holes in mounting rails. Do not overtighten screws.



A. Two screws

5. Reattach the bottom vent that was removed in the "Install Spacer Kit" section.
6. Replace oven racks, turntable and support hub.
7. Reconnect power.
8. Display panel will light briefly, and "PF" should appear in the display.
9. If display panel does not light, please reference the "Assistance or Service" section of the Use and Care Guide or contact the dealer from whom you purchased your microwave oven.

Complete Installation

1. Check that all parts are now installed. If there is an extra part, go back through the steps to see which step was skipped.
2. Check that you have all of your tools.
3. Dispose of/recycle all packaging materials.
4. For microwave oven use and cleaning, read the Use and Care Guide.

Check Operation of Microwave Oven

1. Turn power on.
2. When "CLOCK ENTER TIME" appears in the display, press START/ADD A MINUTE.
3. Fill a microwave-safe container with 1 cup (250 mL) of water and place container inside microwave oven on the turntable. Close door firmly.
4. Touch START/ADD A MINUTE twice to set cooking time to "2:00" minutes. Microwave should begin cooking, interior light should be on, and the display should count down the remaining time.

If microwave does not operate, check the following:

- Household fuse is intact and tight; or circuit breaker has not tripped.
- Electrical supply is connected;
- See "Troubleshooting" section in the Use and Care Guide.
- If an error code ("F" followed by a number plus "E" followed by a number) appears in the display, turn off the microwave oven and contact a qualified technician.

When the display reads "1:00" minute, open the microwave oven door. The microwave should stop cooking. Close door firmly. The interior microwave oven light should turn off.

5. Press START/ADD A MINUTE to resume preset cycle. Microwave should begin cooking, and the microwave oven interior light should be on.

Let microwave oven complete cooking time. A tone will sound 3 times at the end of the cooking time.

6. Open microwave oven door and slowly remove container. Water in container should be hot.

If you need Assistance or Service:

Please reference the "Assistance or Service" section of the Use and Care Guide or contact the dealer from whom you purchased your built-in microwave oven.

SÉCURITÉ DU FOUR À MICRO-ONDES ENCASTRÉ

Votre sécurité et celle des autres est très importante.

Nous donnons de nombreux messages de sécurité importants dans ce manuel et sur votre appareil ménager. Assurez-vous de toujours lire tous les messages de sécurité et de vous y conformer.



Voici le symbole d'alerte de sécurité.

Ce symbole d'alerte de sécurité vous signale les dangers potentiels de décès et de blessures graves à vous et à d'autres.

Tous les messages de sécurité suivront le symbole d'alerte de sécurité et le mot "DANGER" ou "AVERTISSEMENT". Ces mots signifient :

! DANGER

Risque possible de décès ou de blessure grave si vous ne suivez pas immédiatement les instructions.

! AVERTISSEMENT

Risque possible de décès ou de blessure grave si vous ne suivez pas les instructions.

Tous les messages de sécurité vous diront quel est le danger potentiel et vous disent comment réduire le risque de blessure et ce qui peut se produire en cas de non-respect des instructions.

EXIGENCES D'INSTALLATION

Outils et pièces

Rassembler les outils et pièces nécessaires avant d'entreprendre l'installation. Lire et observer les instructions fournies avec chacun des outils de la liste ci-dessous.

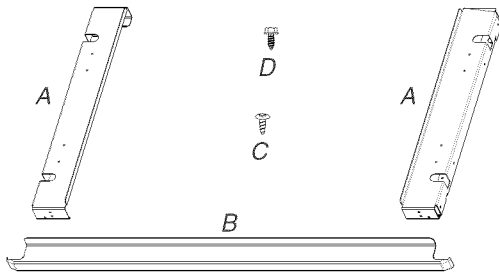
Outils nécessaires

- Tournevis Phillips
- Mètre ruban
- Niveau
- Perceuse
- Foret de 1/8" (3,2 mm)

Pièces nécessaires

- Un connecteur de conduit (homologation UL ou CSA)
- Connecteurs de fils (homologation UL)

Pièces fournies



- A. Barres de calage (2)
- B. Évent inférieur (1)
- C. Vis Phillips (2)
- D. Vis à tête bombée de 3/4" (4)

Consulter les codes locaux. Vérifier l'alimentation électrique existante. Voir "Spécifications électriques".

Il est recommandé de faire réaliser tous les raccordements électriques par un électricien qualifié agréé.

Exigences d'emplacement

IMPORTANT : Observer les dispositions de tous les codes et règlements en vigueur.

- Respecter les dimensions indiquées pour les ouvertures à découper dans les placards. Ces dimensions tiennent compte des dégagements de séparation minimaux nécessaires pour le four à micro-ondes.
- L'espace d'installation doit permettre la formation d'une enceinte complète autour de la partie encastrée du four à micro-ondes.
- Une source d'électricité avec liaison à la terre est nécessaire. Voir la section "Spécifications électriques".
- Le boîtier de connexion doit être situé à moins de 3" (7,6 cm) au-dessous de la surface de support lorsque le four à micro-ondes est installé dans un placard mural. Un trou de diamètre de 1" (2,5 cm) ou plus doit avoir été percé dans l'angle arrière gauche ou droit de la surface de support pour le passage du câble d'alimentation de l'appareil jusqu'au boîtier de connexion.

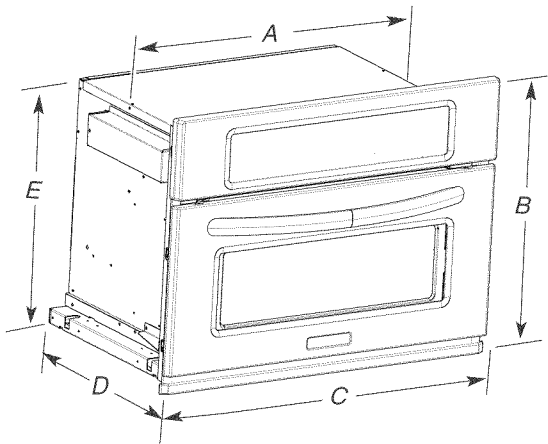
REMARQUE : Pour l'installation sous un plan de travail, on recommande que le boîtier de connexion soit situé dans le placard adjacent de droite ou de gauche. Dans le cas de l'installation du boîtier de connexion sur le mur arrière, derrière le four à micro-ondes, le boîtier de connexion doit être encastré et placé dans l'angle inférieur ou supérieur du placard, à gauche ou à droite. Sinon, le four à micro-ondes ne pourra pas passer dans l'ouverture de placard destinée à le recevoir.

- Pour l'installation au-dessus d'un four encastré simple, le boîtier de connexion doit être placé dans le placard supérieur.
- Dans le cas de l'installation du boîtier de connexion sur le mur arrière, derrière le four à micro-ondes, le boîtier de connexion doit être encastré et placé dans l'angle inférieur ou supérieur du placard, à gauche ou à droite; sinon, le four à micro-ondes ne pourra pas passer dans l'ouverture de placard destinée à le recevoir.
- La surface de support du four à micro-ondes doit être robuste, horizontale et en affleurement avec le bas de l'ouverture découpée dans le placard. Le plancher doit pouvoir supporter un poids de 110 lb (50 kg).

IMPORTANT : Afin d'éviter d'endommager les placards, consulter le constructeur de la maison ou le fabricant des placards pour déterminer si les matériaux utilisés peuvent subir un changement de couleur, une déstratification ou d'autres dommages. Ce four a été conçu conformément aux exigences des normes UL et CSA International et respecte les températures maximales permises de 194° F (90° C) pour les placards en bois.

Dimensions du produit

Fours à micro-ondes de 27" (68,6 cm) et 30" (76,2 cm)



Modèles de 27" (68,6 cm)

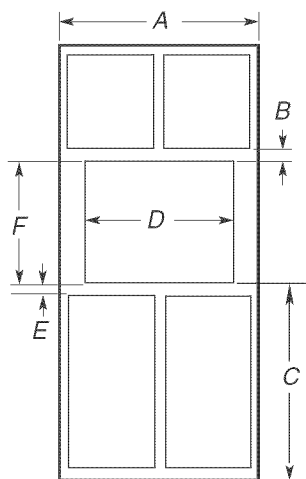
- A. 25 $\frac{1}{4}$ " (64,1 cm) de largeur d'encastrement
- B. 20 $\frac{5}{16}$ " (51,6 cm) de hauteur totale
- C. 26 $\frac{3}{4}$ " (67,9 cm) de largeur totale
- D. 22 $\frac{7}{16}$ " (57,0 cm) de profondeur d'encastrement max.
- E. 17 $\frac{3}{4}$ " (45,1 cm) de hauteur d'encastrement, cales d'espacement comprises

Modèles de 30" (76,2 cm)

- A. 28 $\frac{1}{4}$ " (71,8 cm) de largeur d'encastrement
- B. 20 $\frac{5}{16}$ " (51,6 cm) de hauteur totale
- C. 29 $\frac{3}{4}$ " (75,6 cm) de largeur totale
- D. 22 $\frac{7}{16}$ " (57,0 cm) de profondeur d'encastrement max.
- E. 17 $\frac{3}{4}$ " (45,1 cm) de hauteur d'encastrement, cales d'espacement comprises

Spécifications du placard

Fours à micro-ondes de 27" (68,6 cm) et 30" (76,2 cm)



Modèles de 27" (68,6 cm)

- A. 27" (68,6 cm) min. de largeur de placard
- B. 1" (2,5 cm) entre le sommet de l'encastrement et le bas de la porte du placard supérieur
- C. 40" (101,2 cm) du fond de l'encastrement au plancher (recommandé)
- D. 25 $\frac{1}{2}$ " (64,8 cm) de largeur d'encastrement
- E. 1 $\frac{1}{2}$ " (3,8 cm) min. du fond de l'encastrement au dessus de la porte du placard
- F. 19 $\frac{7}{16}$ " (49,4 cm) de hauteur d'encastrement

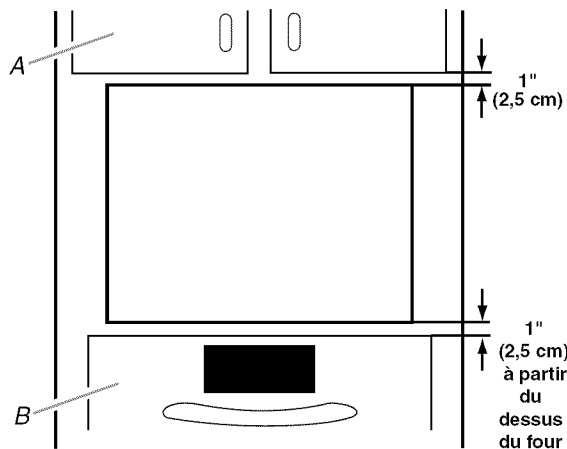
Modèles de 30" (76,2 cm)

- A. 30" (76,2 cm) min. de largeur de placard
- B. 1" (2,5 cm) entre le sommet de l'encastrement et le bas de la porte du placard supérieur
- C. 40" (101,2 cm) du fond de l'encastrement au plancher (recommandé)
- D. 28 $\frac{1}{2}$ " (72,4 cm) de largeur d'encastrement
- E. 1 $\frac{1}{2}$ " (3,8 cm) min. du fond de l'encastrement au dessus de la porte du placard
- F. 19 $\frac{7}{16}$ " (49,4 cm) de hauteur d'encastrement

Distances de dégagement minimales pour l'installation

Pour une installation correcte, les distances de dégagement minimales suivantes doivent être respectées entre les ouvertures du placard à découper.

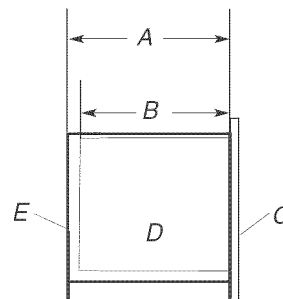
Installation au-dessus d'un four encastré simple



A. Placard supérieur
B. Four inférieur simple*

*Modèles approuvés : KEBU107, KEBS107, KEBS177, KEBK101, KEBK171

Vue latérale du placard



- A. 23 $\frac{1}{4}$ " (59,1 cm) min. de profondeur d'encastrement
- B. 23" (58,4 cm) de profondeur d'encastrement du four
- C. Avant du four
- D. Four encastré
- E. Placard

Spécifications électriques

INSTRUCTIONS DE LIAISON À LA TERRE

Pour un four à micro-ondes raccordé en permanence :

Le four à micro-ondes doit être raccordé à un système de câblage permanent en métal relié à la terre, ou le câblage d'alimentation doit inclure un conducteur de liaison à la terre connecté à la borne ou à un fil de liaison à la terre sur le four à micro-ondes.

CONSERVER CES INSTRUCTIONS

Si on utilise un conducteur distinct de liaison à la terre lorsque les codes le permettent, il est recommandé qu'un électricien qualifié vérifie que la liaison à la terre et le calibre pour fils sont conformes aux codes locaux.

En cas de doute quant à la qualité de la liaison à la terre du four à micro-ondes, consulter un électricien qualifié.

Ce four à micro-ondes doit être raccordé à un système permanent, métallique de câblage relié à la terre.

S'assurer que la connexion électrique et le calibre des fils sont appropriés et conformes au National Electrical Code, aux normes ANSI/NFPA 70 - dernière édition, ou aux normes CSA C22.1-94, au Code canadien de l'électricité, Partie 1 et C22.2 N° O-M91 - dernière édition, et à tous les codes et règlements locaux.

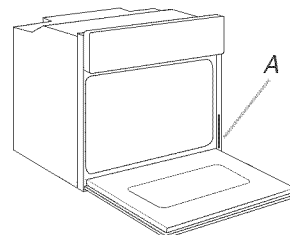
Pour obtenir un exemplaire de la norme des codes ci-dessus, contacter :

National Fire Protection Association
One Batterymarch Park
Quincy, MA 02269
CSA International
8501 East Pleasant Valley Road
Cleveland, OH 44131-5575

Raccordement électrique

Pour installer le four à micro-ondes correctement, il faut établir le type de raccords électriques que l'on utilisera et suivre les instructions indiquées ici.

- Le four à micro-ondes doit être alimenté par une source d'électricité appropriée (caractéristiques de tension et fréquence spécifiées sur la plaque signalétique). La plaque signalétique est située sur le côté droit du châssis du four à micro-ondes.



A. Plaque signalétique des numéros de modèle et de série

- L'appareil doit être alimenté par un circuit monophasé de 208/220 V CA seulement, 60 Hz à 4 fils, sur un circuit séparé de 20 ampères maximum, fusionné aux deux extrémités de la ligne.
- On recommande d'utiliser un fusible ou un disjoncteur temporisé.
- Raccorder l'appareil directement au tableau de distribution (fusible ou disjoncteur) par un câble à conducteur de cuivre et gaine non métallique flexible (avec conducteur de liaison à la terre). Voir la section "Raccordement électrique".
- Le câble flexible du four à micro-ondes doit être connecté directement dans le boîtier de connexion.
- Ne pas couper le conduit. La longueur du conduit fournie est destinée à faciliter l'entretien du four à micro-ondes.
- L'installateur doit fournir un connecteur de conduit (homologation UL ou CSA).
- Si le domicile est équipé d'un câblage en aluminium, suivre les instructions suivantes :
 1. Connecter une section de câble en cuivre massif aux conducteurs en queue de cochon.
 2. Connecter le câblage en aluminium à la section ajoutée de câblage en cuivre en utilisant des connecteurs et/ou des outils spécialement conçus et homologués UL pour fixer le cuivre à l'aluminium.

Appliquer la procédure recommandée par le fabricant des connecteurs. La connexion aluminium/cuivre doit être conforme aux codes locaux et aux pratiques de câblage acceptées par l'industrie.

INSTRUCTIONS D'INSTALLATION

Préparation du four à micro-ondes encastré

1. Repérer le câblage existant pour éviter de le percer ou de l'endommager lors de l'installation.

AVERTISSEMENT

Risque du poids excessif

Utiliser deux ou plus de personnes pour déplacer et installer le four à micro-ondes.

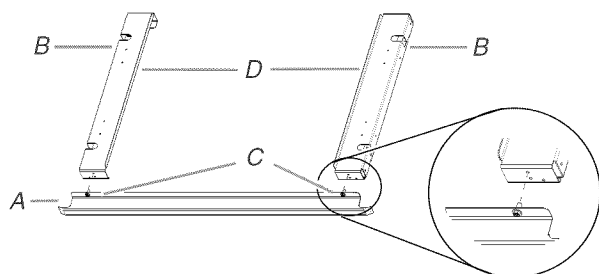
Le non-respect de cette instruction peut causer une blessure au dos ou d'autre blessure.

2. Pour éviter d'endommager le plancher, placer le four à micro-ondes sur une feuille de carton avant l'installation. Lors des opérations de levage, ne pas prendre prise sur la poignée ou sur une autre partie du châssis avant.
3. Retirer les matériaux d'emballage et les rubans adhésifs du four à micro-ondes.
4. Retirer et conserver à part les grilles et autres articles se trouvant à l'intérieur du four à micro-ondes.
5. Enlever le matériel à l'intérieur du sachet de documentation.
6. Approcher le four à micro-ondes et la feuille de carton de l'emplacement final du four à micro-ondes.

Assemblage de la trousse d'entretoise

1. Fixer l'évent inférieur aux barres de calage à l'aide de deux vis Phillips. Veiller à utiliser le trou supérieur et le trou central sur la barre de calage.

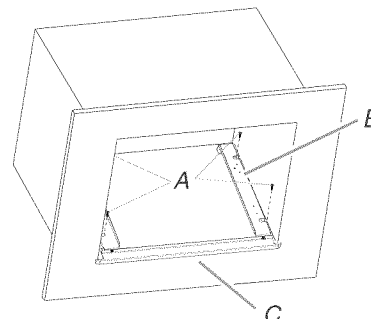
REMARQUE : Les tiges de guidage doivent être orientées vers l'intérieur.



A. Évent inférieur
B. Barres de calage
C. Vis Phillips
D. Tiges de guidage

Installation de la trousse d'entretoise

1. Centrer la trousse d'entretoise du four à micro-ondes assemblé dans l'ouverture découpée dans le placard. Repousser la trousse d'entretoise dans l'ouverture découpée dans le placard jusqu'à ce que l'habillage inférieur soit en affleurement avec l'avant du placard.
2. À l'aide d'un foret de $\frac{1}{8}$ " (3,2 mm), percer dans les trous de montage des barres de calage pour créer des avant-trous.
3. Fixer la trousse d'entretoise assemblée au placard à l'aide des quatre vis à tête cylindrique bombée de $\frac{3}{4}$ " fournies. Ne pas serrer excessivement les vis.
4. Réinstaller l'évent inférieur (l'évent inférieur doit être fixé à nouveau au four à micro-ondes une fois le four installé).



A. Vis à tête cylindrique bombée de $\frac{3}{4}$ "
B. Trousse d'entretoise
C. Évent inférieur

Raccordement électrique

AVERTISSEMENT



Risque de choc électrique

Déconnecter la source de courant électrique avant d'entreprendre le travail.

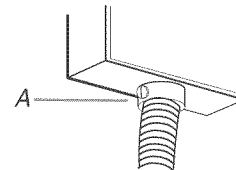
Utiliser du fil en cuivre rigide de calibre 12.

Relier le four à la terre.

Le non-respect de ces instructions peut causer un décès, un incendie ou un choc électrique.

Le câblage d'alimentation de ce four à micro-ondes comporte un conducteur neutre (blanc) et un conducteur vert (ou nu) de liaison à la terre connecté à la caisse; ces deux conducteurs sont torsadés.

1. Déconnecter la source de courant électrique.
2. Faire passer le conduit de câble flexible depuis le four à micro-ondes jusqu'à l'espace d'installation dans le placard.
3. Le cas échéant, enlever le couvercle du boîtier de connexion.
4. Installer un connecteur de conduit (homologation UL ou CSA) sur le boîtier de connexion.

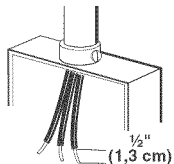
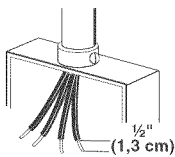


A. Connecteur de conduit (homologation UL ou CSA)

5. Acheminer le conduit de câble flexible depuis le four jusqu'au boîtier de connexion - utiliser un connecteur de conduit (homologation UL ou CSA).
6. Serrer les vis sur le connecteur de conduit.
7. Voir "Tableau des options de raccordement électrique" pour terminer l'installation correspondant à votre type de raccordement électrique.

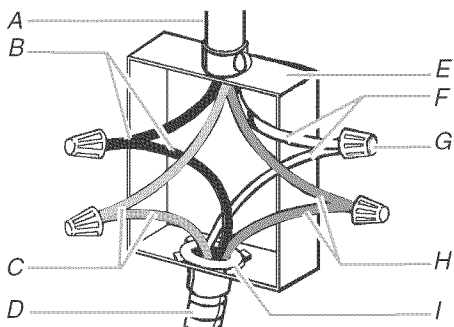
Tableau des options de raccordement électrique

Câblage de la maison :	Voir la section :
4 conducteurs	Câble à 4 conducteurs depuis le point de distribution du domicile
3 conducteurs	Câble à 3 conducteurs depuis le point de distribution du domicile



Câble à 4 conducteurs depuis le point de distribution du domicile

IMPORTANT : Utiliser le câble à 4 conducteurs provenant du point de distribution du domicile aux États-Unis lorsque les codes ne permettent pas la mise à la terre par l'intermédiaire du conducteur neutre, en cas de nouvelle installation avec alimentation par un circuit secondaire (1996 NEC), dans les résidences mobiles et les véhicules récréatifs, dans les nouvelles constructions, et au Canada.

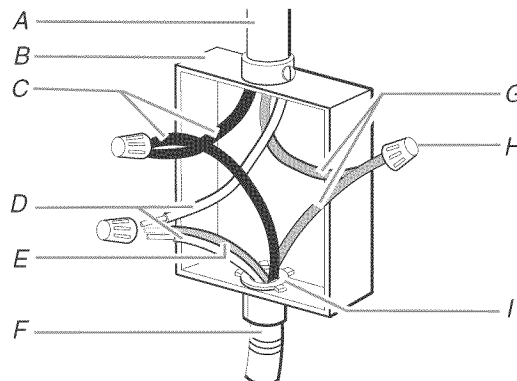


- | | |
|--|---|
| A. Câble depuis le point de distribution du domicile | F. Conducteurs blancs |
| B. Conducteurs noirs | G. Connecteurs de fils (homologation UL) |
| C. Conducteurs rouges | H. Conducteurs verts (ou nus) de liaison à la terre |
| D. Câble flexible à 4 conducteurs depuis le four à micro-ondes | I. Connecteur de conduit (homologation UL ou CSA) |
| E. Boîtier de connexion | |

1. Connecter ensemble les 2 conducteurs noirs (B) avec un connecteur de fils (homologation UL).
2. Connecter ensemble les 2 conducteurs rouges (C) avec un connecteur de fils (homologation UL).
3. Détorsader le conducteur blanc du conducteur vert (ou nu) de liaison à terre provenant du four à micro-ondes.
4. Connecter ensemble les 2 conducteurs blancs (F) avec un connecteur de fils (homologation UL).
5. Connecter le conducteur vert (ou nu) de liaison à la terre (H) du câble du four à micro-ondes au conducteur vert (ou nu) de liaison à la terre dans le boîtier de connexion - utiliser un connecteur de fils (homologation UL).
6. Installer le couvercle du boîtier de connexion.

Câble à 3 conducteurs depuis le point de distribution du domicile - É.-U. seulement

IMPORTANT : Utiliser le câble à 3 conducteurs depuis le point de distribution du domicile lorsque les codes locaux autorisent un tel raccordement.



- | | |
|---|--|
| A. Câble depuis le point de distribution du domicile | F. Câble flexible à 4 conducteurs depuis le four à micro-ondes |
| B. Boîtier de connexion | G. Conducteurs rouges |
| C. Conducteurs noirs | H. Connecteurs de fils (homologation UL) |
| D. Conducteurs blancs | I. Connecteur de conduit (homologation UL ou CSA) |
| E. Conducteur vert (ou nu) de liaison à la terre (depuis le four à micro-ondes) | |

1. Connecter ensemble les 2 conducteurs noirs (C) avec un connecteur de fils (homologation UL).
2. Connecter les 2 conducteurs blancs (D) et le conducteur vert ou nu de liaison à la terre (du câble du four à micro-ondes) avec un connecteur de fils (homologation UL).
3. Connecter ensemble les 2 conducteurs rouges (G) avec un connecteur de fils (homologation UL).
4. Installer le couvercle du boîtier de connexion.

Installation du four à micro-ondes

⚠ AVERTISSEMENT

Risque du poids excessif

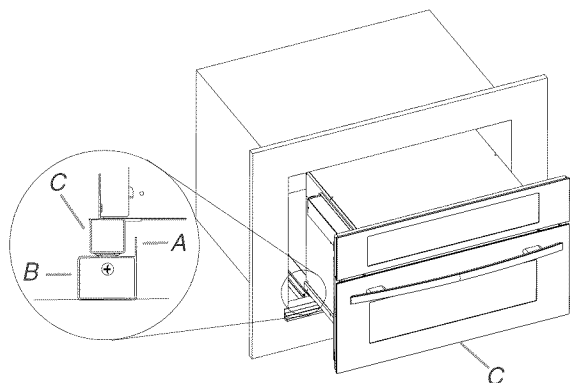
Utiliser deux ou plus de personnes pour déplacer et installer le four à micro-ondes.

Le non-respect de cette instruction peut causer une blessure au dos ou d'autre blessure.

1. À l'aide d'au moins 2 personnes, soulever partiellement le four à micro-ondes dans l'ouverture découpée du placard au-dessus des barres de calage. Installer le four à micro-ondes sur les barres de calage, à l'extérieur des tiges de guidage.

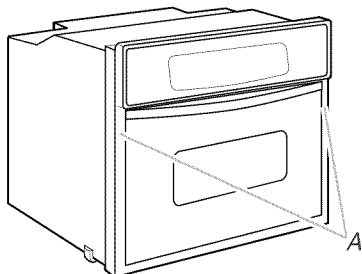
REMARQUE : Ouvrir la porte du four à micro-ondes et pousser sur la zone du joint du châssis avant du four à micro-ondes lorsque l'on introduit le four à micro-ondes dans le placard. Ne pas pousser contre les bords externes.

2. Pousser contre le châssis avant du four à micro-ondes pour introduire le four dans le placard. Enfoncer complètement le four à micro-ondes dans le placard et le centrer dans la cavité du placard.



A. Tige de guidage
B. Barre de calage
C. Four à micro-ondes

3. À l'aide d'un foret de 1/8" (3,2 mm), percer dans les trous des glissières de montage situées de chaque côté du four à micro-ondes à l'intérieur du placard pour créer des avant-trous.
4. Fixer solidement le four à micro-ondes au placard à l'aide des 2 vis fournies. Insérer les vis à travers les trous des rails de montage. Ne pas serrer excessivement les vis.



A. Deux vis

5. Réinstaller l'évent inférieur retiré à la section "Installation de la trousse d'entretoise".
6. Réinstaller les grilles du four, le plateau rotatif et l'axe de support.
7. Reconnecter la source de courant électrique.
8. Le tableau d'affichage s'allume brièvement et "PF" devrait apparaître sur l'affichage.
9. Si le tableau d'affichage ne s'allume pas, consulter la section "Assistance ou service" du Guide d'utilisation et d'entretien ou contacter le marchand qui vous a vendu le four à micro-ondes.

Achever l'installation

1. Vérifier que toutes les pièces sont maintenant installées. S'il reste une pièce, passer en revue les différentes étapes pour découvrir laquelle aurait été oubliée.
2. Vérifier la présence de tous les outils.
3. Éliminer/recycler tous les matériaux d'emballage.
4. Pour l'utilisation et le nettoyage du four, lire le Guide d'utilisation et d'entretien.

Vérification du fonctionnement du four à micro-ondes

1. Mettre l'appareil sous tension.
2. Lorsque "CLOCK ENTER TIME" s'affiche, appuyer sur START/ADD A MINUTE.
3. Remplir un contenant adapté aux micro-ondes avec 1 tasse (250 mL) d'eau et placer le contenant dans le four à micro-ondes, sur le plateau rotatif. Bien fermer la porte.
4. Appuyer deux fois sur START/ADD A MINUTE pour régler une durée de cuisson de "2:00" minutes. La cuisson doit débiter dans le four à micro-ondes, la lampe intérieure doit être allumée et le compte à rebours de la durée restante doit s'afficher.

Si le four à micro-ondes ne fonctionne pas, contrôler ce qui suit :

- Les fusibles du domicile sont intacts et serrés; le disjoncteur n'est pas déclenché.
- L'alimentation électrique est raccordée;
- Voir la section "Dépannage" dans le guide d'utilisation et d'entretien.
- Si un code d'anomalie ("F" suivi d'un chiffre plus "E" suivi d'un chiffre) apparaît sur l'afficheur, éteindre le four à micro-ondes et contacter un technicien qualifié.

Lorsque l'afficheur indique "1:00" minute, ouvrir la porte du four à micro-ondes. La cuisson par les micro-ondes devrait cesser. Bien fermer la porte. La lampe intérieure du four à micro-ondes doit s'éteindre.

5. Appuyer sur START/ADD A MINUTE pour reprendre le programme programmé. La cuisson doit débiter dans le four à micro-ondes et la lampe intérieure du four à micro-ondes doit être allumée.

Laisser le four à micro-ondes terminer la durée de cuisson. Un signal sonore sera émis 3 fois à la fin de la durée de cuisson.

6. Ouvrir la porte du four à micro-ondes et retirer lentement le contenant. L'eau dans le contenant doit être chaude.

Si vous avez besoin d'assistance ou de service :

Consulter la section "Assistance ou service" du Guide d'utilisation et d'entretien ou contacter le marchand chez qui le four à micro-ondes encastré a été acheté.

W10355490A

© 2010 Whirlpool Corporation.
All rights reserved.
Tous droits réservés.

12/10
Printed in U.S.A.
Imprimé aux É.-U.