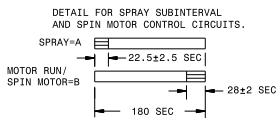
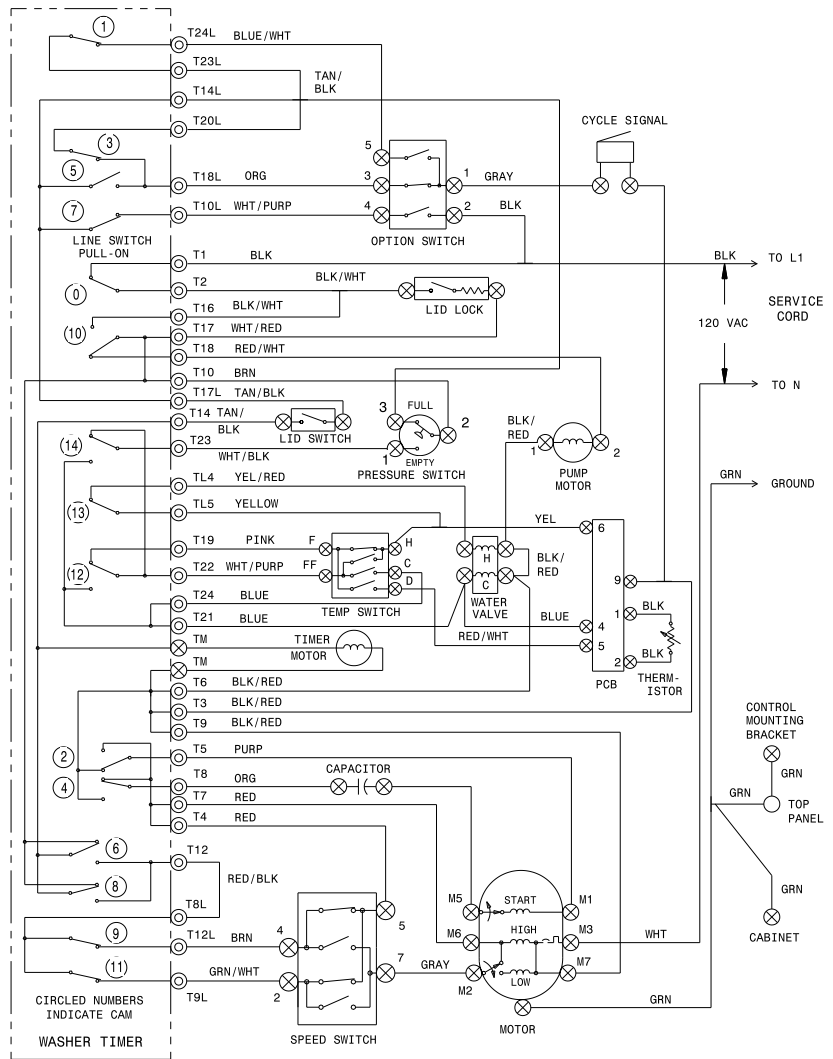
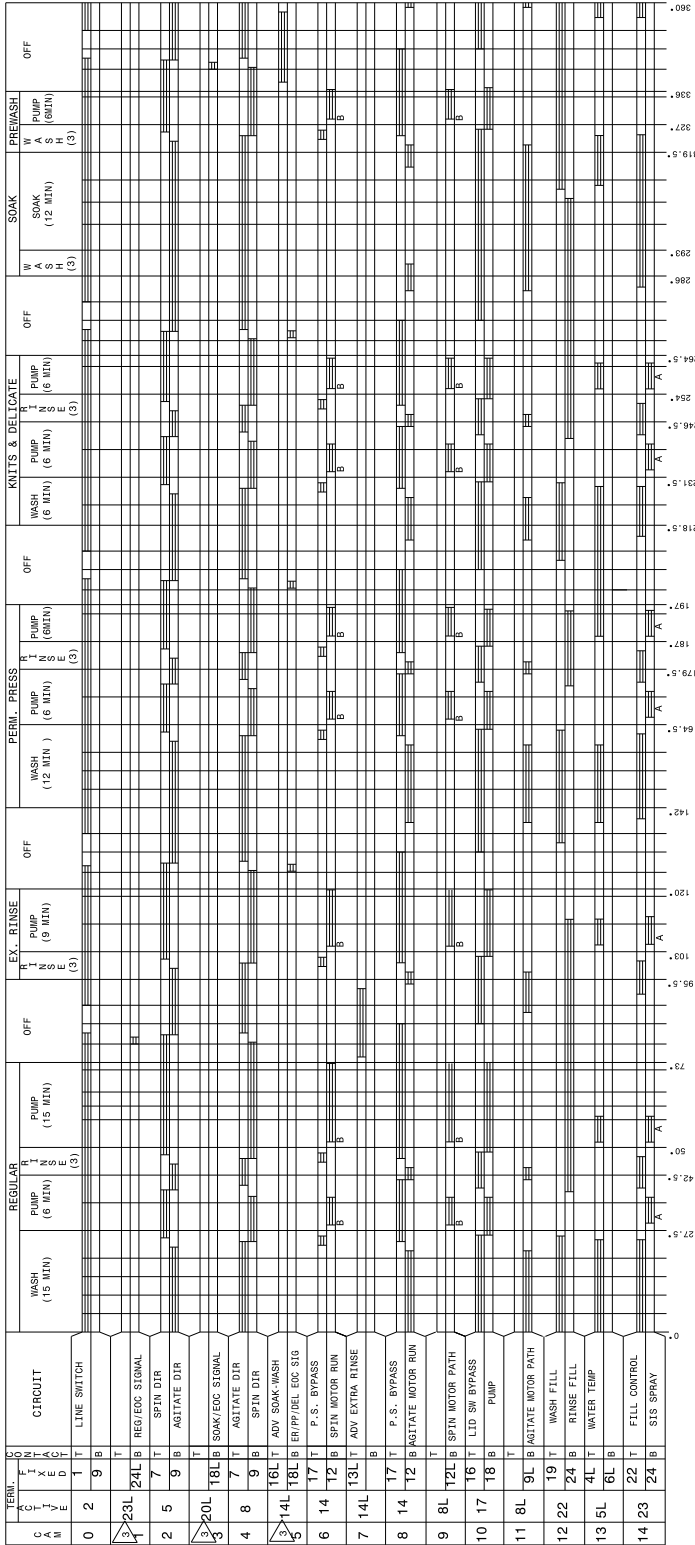


CAUTION: DISCONNECT ELECTRIC CURRENT BEFORE SERVICING

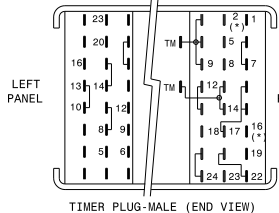


WASH/RINSE	F-H	FF-H	FF-C	F-D
H/C	X			
W/C *	X		X	
C/C *			X	
W/W *		X	X	
R C/C		X	X	
R W/C	X			X
R W/W		X		X

H=HOT C=COLD W=WARM R=REGULATED * =NOT ON ALL MODELS

POSITION	2-4	1-5	1-3
EXTRA RINSE	X		
EX RINSE/EOC SIG	X		X
EOC SIGNAL		X	X
OFF			

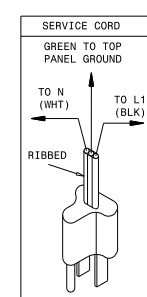
X=CLOSED



⊙	PLUG IN TIMER TERMINAL
⊗	QUICK DISCONNECT TERMINAL
⊖	SCREW TERMINAL
+	CONNECTION
+	NO CONNECTION
⊕	MOTOR SWITCH
⊕	SPLICE
⊕	MOTOR PROTECTOR
⊕	CHASSIS (CABINET) GROUND

AGIT/SPIN	2-5	2-7	4-7	4-5
N/N	X			X
N/S	X		X	
S/N (OPT)		X		X
S/S	X	X	X	

N=NORMAL S=SLOW X=CLOSED



CAUTION: DISCONNECT ELECTRIC CURRENT BEFORE SERVICING

WIRING DIAGRAM
PART NO. 134286800