

TimeSmart[®]
Tips Inside!

Use & Care

G U I D E

Microwave Ovens

A Note to You..... 2

Microwave Oven
Safety..... 3-4

Installation
Instructions..... 5

Getting to Know Your
Microwave Oven..... 7

Standard Microwave
Cooking..... 18

Sensor Cooking..... 30

Caring for Your
Microwave Oven..... 33

Cooking Guide..... 34

Questions and
Answers..... 39

Troubleshooting..... 40

Requesting
Assistance or
Service..... 42

Index..... 43

Warranty..... 44

1-800-253-1301

Call our Consumer Assistance Center
with questions or comments.



A JOB WELL DONE.™

www.whirlpool.com

MODELS MT1135SG MT1195SG

PART NO. 3828W5A0589/4359605

A NOTE TO YOU

Thank you for buying a WHIRLPOOL® appliance.

The Whirlpool Brand is committed to designing quality products that consistently perform for you to make your life easier. To ensure that you enjoy years of trouble-free operation, we developed this Use and Care Guide. It is full of valuable information about how to operate and maintain your appliance properly and safely. Please read it carefully.

Also, complete and mail the **Product Registration Card** provided with your appliance. The card helps us notify you about any new information on your appliance.

Please record your model's information.

Whenever you call to request service for your appliance, you need to know your complete model number and serial number. You can find this information on the model and serial number label/plate (see the diagram in the "Getting to Know" section). Also, record the other information shown in the next column.

TimeSmart® TIPS

Look for these tips!

Look for these Time Smart Tips located throughout your Use and Care Guide. They will help you save time and make the most of your new appliance.

Model Number _____

Serial Number _____

Purchase Date _____

Dealer Name _____

Dealer Address _____

Dealer Phone _____

Keep this book and the sales slip together in a safe place for future reference.

Our Consumer Assistance Center number is toll free. **1-800-253-1301**

To find detailed product information, the location of the nearest Whirlpool dealer or authorized servicer, to purchase an accessory item, or register your appliance on-line, please visit our Web site at www.whirlpool.com

MICROWAVE OVEN SAFETY

Your safety and the safety of others is very important.

We have provided many important safety messages in this manual and on your appliance. Always read and obey all safety messages.



This is the safety alert symbol.

This symbol alerts you to hazards that can kill or hurt you and others.

All safety messages will be preceded by the safety alert symbol and the word “DANGER” or “WARNING.” These words mean:

⚠ DANGER

You will be killed or seriously injured if you don't follow instructions.

⚠ WARNING

You can be killed or seriously injured if you don't follow instructions.

All safety messages will identify the hazard, tell you how to reduce the chance of injury, and tell you what can happen if the instructions are not followed.

IMPORTANT SAFETY INSTRUCTIONS

When using electrical appliances basic safety precautions should be followed, including the following:

WARNING – To reduce the risk of burns, electric shock, fire, injury to persons or exposure to excessive microwave energy:

- Read all instructions before using the microwave oven.
- Read and follow the specific “PRECAUTIONS TO AVOID POSSIBLE EXPOSURE TO EXCESSIVE MICROWAVE ENERGY” found in this section.
- The microwave oven must be grounded. Connect only to properly grounded outlet. See “GROUNDING INSTRUCTIONS” found in the “Installation Instructions” section.
- Install or locate the microwave oven only in accordance with the installation instructions.
- Some products such as whole eggs and sealed containers – for example, closed glass jars – may explode and should not be heated in the microwave oven.
- Use the microwave oven only for its intended use as described in this manual. Do not use corrosive chemicals or vapors in the microwave oven. This type of oven is specifically designed to heat, cook, or dry food. It is not designed for industrial or laboratory use.
- As with any appliance, close supervision is necessary when used by children.
- Do not operate the microwave oven if it has a damaged cord or plug, if it is not working properly, or if it has been damaged or dropped.
- The microwave oven should be serviced only by qualified service personnel. Call an authorized service company for examination, repair or adjustment.
- Do not cover or block any openings on the microwave oven.
- Do not store the microwave oven outdoors. Do not use the microwave oven near water – for example, near a kitchen sink, in a wet basement, or near a swimming pool, and the like.
- Do not immerse cord or plug in water.
- Keep cord away from heated surfaces.
- Do not let cord hang over edge of table or counter.
- See door surface cleaning instructions in the “Caring for Your Microwave Oven” section.

– SAVE THESE INSTRUCTIONS –

continued on next page

IMPORTANT SAFETY INSTRUCTIONS

- Do not mount over a sink.
- Do not store anything directly on top of the microwave oven surface when the microwave oven is in operation.
- To reduce the risk of fire in the oven cavity:
 - Do not overcook food. Carefully attend the microwave oven if paper, plastic, or other combustible materials are placed inside the oven to facilitate cooking.
 - Remove wire twist-ties from paper or plastic bags before placing bag in oven.
 - If materials inside the oven should ignite, keep oven door closed, turn oven off, and disconnect the power cord, or shut off power at the fuse or circuit breaker panel.
 - Do not use the cavity for storage purposes. Do not leave paper products, cooking utensils, or food in the cavity when not in use.

– SAVE THESE INSTRUCTIONS –

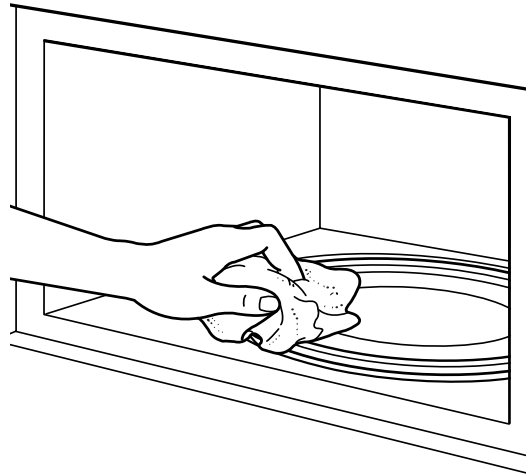
PRECAUTIONS TO AVOID POSSIBLE EXPOSURE TO EXCESSIVE MICROWAVE ENERGY

- (a)** Do not attempt to operate this oven with the door open since open-door operation can result in harmful exposure to microwave energy. It is important not to defeat or tamper with the safety interlocks.
- (b)** Do not place any object between the oven front face and the door or allow soil or cleaner residue to accumulate on sealing surfaces.
- (c)** Do not operate the oven if it is damaged. It is particularly important that the oven door close properly and that there is no damage to the:
 - (1) door (bent),
 - (2) hinges and latches (broken or loosened),
 - (3) door seals and sealing surfaces.
- (d)** The oven should not be adjusted or repaired by anyone except properly qualified service personnel.

INSTALLATION INSTRUCTIONS

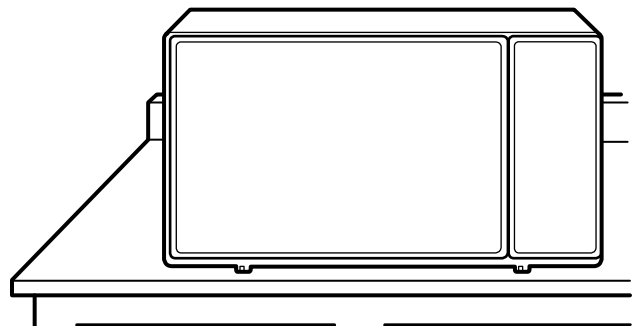
Before you begin operating the oven, carefully read the following instructions.

- 1. Empty** the microwave oven and **clean** inside it with a soft, damp cloth. **Check** for damage such as a door that isn't lined up correctly, damage around the door, or dents inside the oven or on the exterior. If there is any damage, do not operate the oven until an authorized service technician has checked it and made any needed repairs.



- 2. Put** the oven on a cart, counter, table, or shelf that is strong enough to hold the oven and the food and utensils you put in it. **(The control side of the unit is the heavy side. Use care when handling the oven.)** The weight of the oven is about 40 lbs. The microwave oven should be at a temperature above 50°F for proper operation.

NOTE: You can build your microwave oven into a wall or cabinet by using one of the trim kits listed in the "Built-in kits" section.



⚠️ WARNING

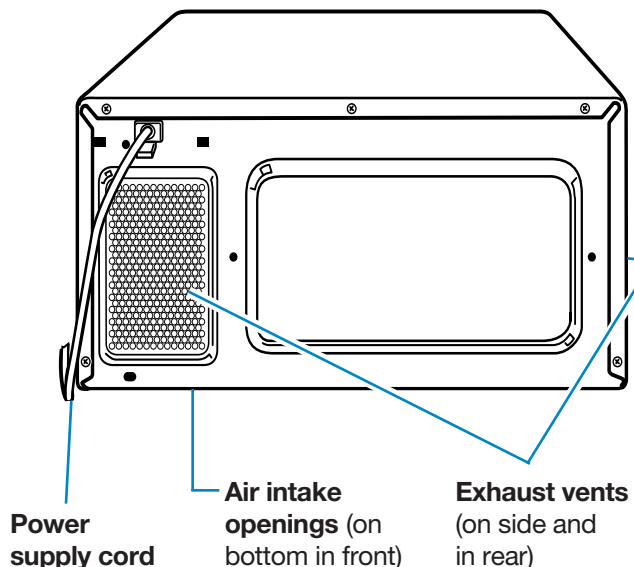


Fire Hazard

Do not install the oven next to or over a heat source without a UL approved trim kit.

Doing so can result in death, fire, or electrical shock.

NOTE: Do not block the exhaust vents or air intake openings. Allow a few inches of space at the back and side of the oven where the exhaust vents are located. Blocking the exhaust vents could cause damage to the oven and poor cooking results. Make sure the microwave oven legs are in place to ensure proper airflow. If vents are blocked, a sensitive thermal safety device automatically turns the oven off. The oven will not work until it has cooled enough.



Power supply cord

Air intake openings (on bottom in front)

Exhaust vents (on side and in rear)

ELECTRICAL REQUIREMENTS

Observe all governing codes and ordinances. A 120 Volt, 60 Hz, AC only, 15 amp fused electrical supply is required. (A time-delay fuse is recommended.) It is recommended that a separate circuit serving only this appliance be provided.

⚠ WARNING



Electrical Shock Hazard
Plug into a grounded 3 prong outlet.
Do not remove ground prong.
Do not use an adapter.
Do not use an extension cord.
Failure to follow these instructions can result in death, fire, or electrical shock.

GROUNDING INSTRUCTIONS

For all cord connected appliances:
The microwave oven must be grounded. In the event of an electrical short circuit, grounding reduces the risk of electric shock by providing an escape wire for the electric current. The microwave oven is equipped with a cord having a grounding wire with a grounding plug. The plug must be plugged into an outlet that is properly installed and grounded.

WARNING – Improper use of the grounding can result in a risk of electric shock.

Consult a qualified electrician or serviceman if the grounding instructions are not completely understood, or if doubt exists as to whether the microwave oven is properly grounded.

Do not use an extension cord. If the power supply cord is too short, have a qualified electrician or serviceman install an outlet near the microwave oven.
For a permanently connected appliance:
The microwave oven must be connected to a grounded, metallic, permanent wiring system, or an equipment grounding conductor should be run with the circuit conductors and connected to the equipment grounding terminal or lead on the microwave oven.

GETTING TO KNOW YOUR MICROWAVE OVEN

This section discusses the concepts behind microwave cooking. It also shows you the basics you need to know to operate your microwave oven. Please read this information before you use your oven.



! WARNING

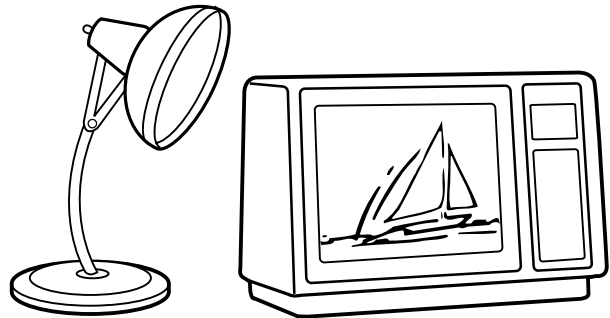
Explosion Hazard

Do not store flammable materials such as gasoline near the microwave oven. Doing so can result in death, explosion, or fire.

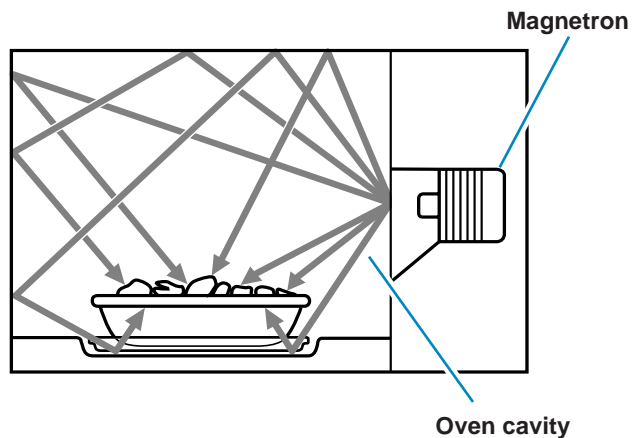
HOW YOUR MICROWAVE OVEN WORKS

Microwave ovens are safe. Microwave energy is not hot. It causes food to make its own heat, and it's this heat that cooks the food.

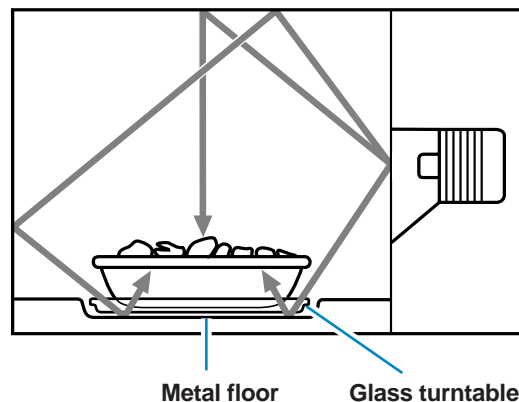
Microwaves are like TV waves or light waves. You cannot see them, but you can see what they do.



A magnetron in the microwave oven produces microwaves. The microwaves move into the oven where they contact food as it turns on the turntable.



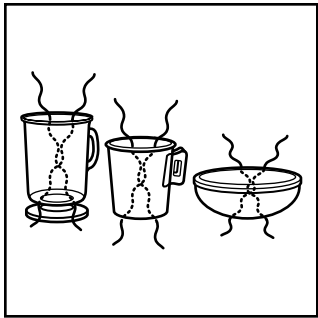
The glass turntable of your microwave oven lets microwaves pass through. Then they bounce off a metal floor, back through the glass turntable, and are absorbed by the food.



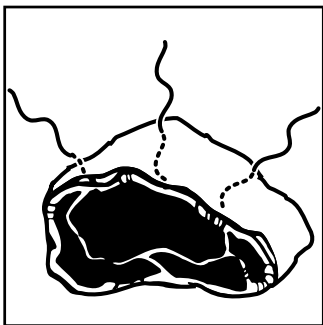
continued on next page

HOW YOUR MICROWAVE OVEN WORKS (CONT.)

Microwaves pass through most glass, paper, and plastics without heating them so food absorbs the energy. Microwaves bounce off metal containers so food does not absorb the energy.



Microwaves may not reach the center of a roast. The heat spreads to the center from the outer, cooked areas just as in regular oven cooking. This is one of the reasons for letting some foods (for example, roasts or baked potatoes) stand for a while after cooking, or for stirring some foods during the cooking time.



The microwaves disturb water molecules in the food. As the molecules bounce around bumping into each other, heat is made, like rubbing your hands together. This is the heat that does the cooking.

TimeSmart® TIPS

For the best cooking results

- Always cook food for the shortest cooking time recommended. Check to see how the food is cooking. If needed, touch ADD MINUTE while the oven is operating or after the cooking cycle is over (see the “Using ADD MINUTE” section).
- Stir, turn over, or rearrange the food being cooked about halfway through the cooking time for all recipes. This will help make sure the food is evenly cooked.
- If you do not have a cover for a dish, use wax paper, or microwave-approved paper towels or plastic wrap. Remember to turn back a corner of the plastic wrap to vent steam during cooking.

NOTE: Do not deep fry in the oven. Microwavable cookware is not suitable and it is difficult to maintain appropriate deep-frying temperatures.

RADIO INTERFERENCE

Using your microwave oven may cause interference to your radio, TV, or similar equipment. When there is interference, you can reduce it or remove it by:

- Cleaning the door and sealing surfaces of the oven.
- Adjusting the receiving antenna of the radio or television.
- Moving the radio/TV away from the microwave oven.
- Plugging the microwave oven into a different outlet so that the microwave oven and radio/TV are on different branch circuits.

TESTING YOUR MICROWAVE OVEN

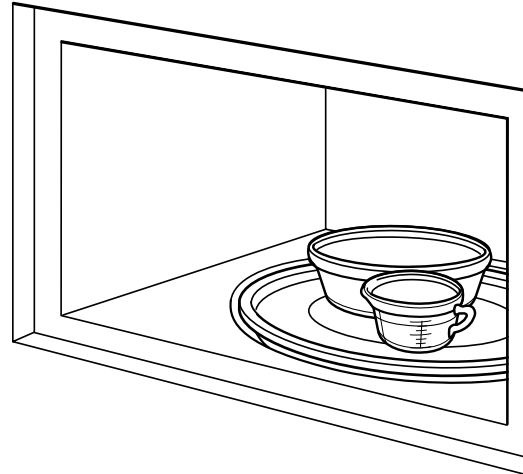
To test the oven put about 1 cup of cold water in a glass container in the oven. Close the door. Make sure it latches. Follow the directions in “Cooking at high cook power” in the “Using Your Microwave Oven” section to set the oven to cook for 2 minutes. When the time is up, the water should be heated.



TESTING YOUR DINNERWARE OR COOKWARE

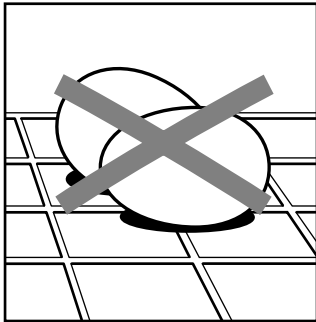
Test dinnerware or cookware before using.

To test a dish for safe use, put it into the oven with a cup of water beside it. Cook at 100% cook power for one minute. **If the dish gets hot and water stays cool, do not use it.** Some dishes (melamine, some ceramic dinnerware, etc.) absorb microwave energy, becoming too hot to handle and slowing cooking times. Cooking in metal containers not designed for microwave use could damage the oven, as could containers with hidden metal (twist-ties, foil lining, staples, metallic glaze or trim).



OPERATING SAFETY PRECAUTIONS

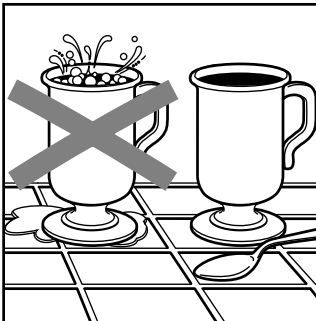
Never cook or reheat a whole egg inside the shell.



Steam buildup in whole eggs may cause them to burst and burn you, and possibly damage the oven. **Slice** hard-boiled eggs before heating. In rare cases, poached eggs have been known to explode. **Cover** poached eggs and

allow a standing time of one minute before cutting into them.

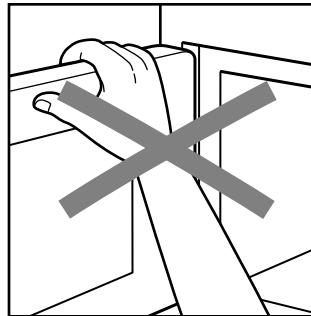
For best results, stir any liquid several times during heating or reheating.



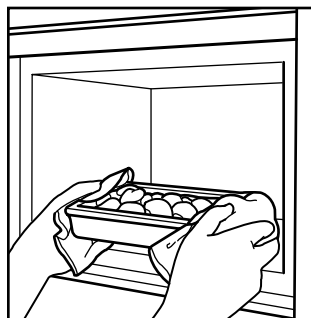
Liquids heated in certain containers (especially containers shaped like cylinders) may become overheated. The liquid may splash out with a loud noise during or after heating or when adding ingredients

(coffee granules, tea bags, etc.). This can harm the oven and possibly injure someone.

Never lean on the door or allow a child to swing on it when the door is open. Injury could result.



Use hot pads.

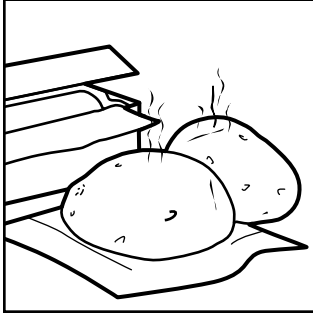


Microwave energy does not heat containers, but the heat from the food can make the container hot.

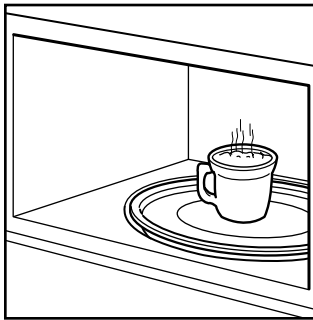
continued on next page

OPERATING SAFETY PRECAUTIONS (CONT.)

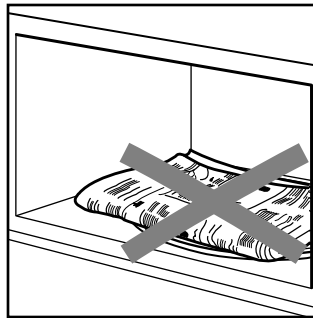
Do not overcook potatoes. Fire could result. At the end of the recommended cooking time, potatoes should be slightly firm because they will continue cooking during standing time. **After microwaving, let** potatoes stand for 5 minutes. They will finish cooking while standing.



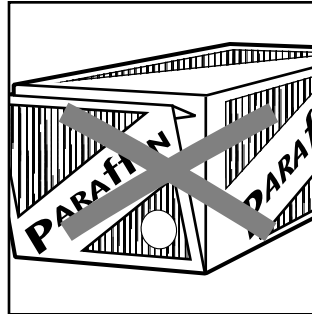
Do not start a microwave oven when it is empty. Product life may be shortened. If you practice programming the oven, **put** a container of water in the oven or use the Demo Feature (see the "Using PERSONAL CHOICE" section). It is normal for the oven door to look wavy after the oven has been running for a while.



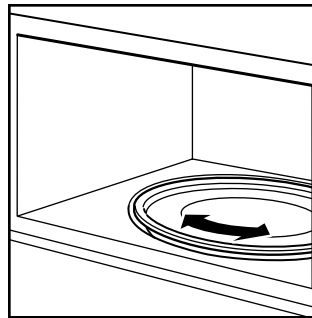
Do not use newspaper or other printed paper in the oven. Fire could result. **Do not** dry flowers, fruit, herbs, wood, paper, gourds, or clothes in the oven. Fire could result.



Do not try to melt paraffin wax in the oven. Paraffin wax will not melt in a microwave oven because it allows microwaves to pass through it.



Do not operate the microwave oven unless the glass turntable is securely in place and can rotate freely on the support rollers. The turntable can rotate in either direction. **Make sure** the rollers are completely inside the center circle of the turntable; this will let the turntable rotate properly.



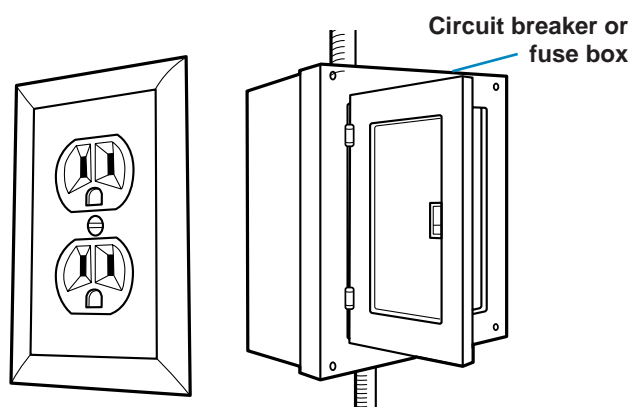
Make sure the turntable is correct-side up in the oven. **Carefully place** the cookware on your turntable to avoid possibly breaking it.

Handle your turntable with care when removing it from the oven to avoid possibly breaking it. If your turntable cracks or breaks, contact your dealer for a replacement.

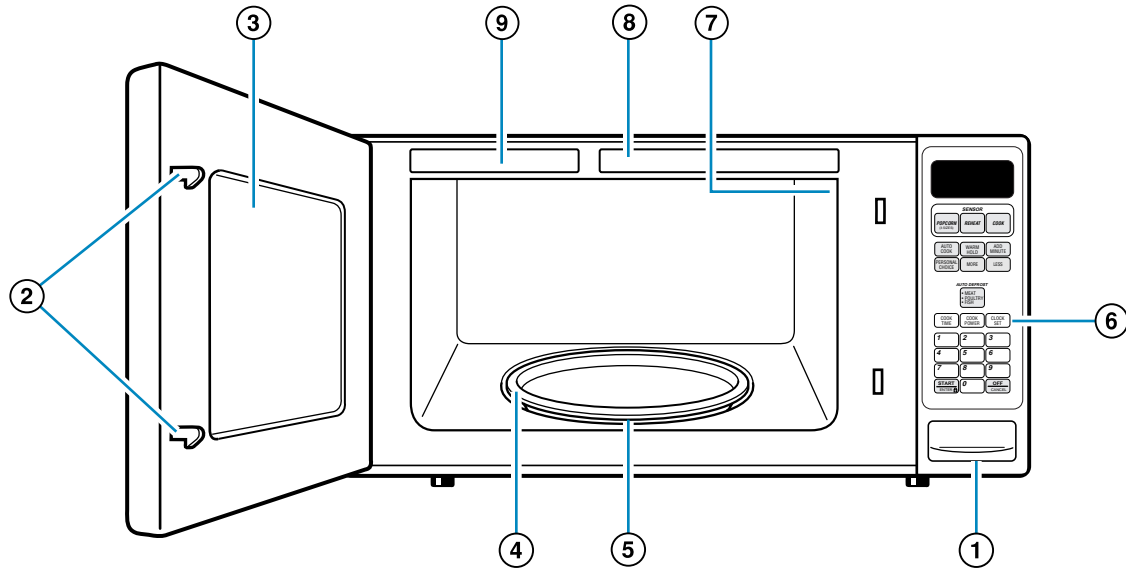
When you use a browning dish, the browning dish bottom must be at least $\frac{3}{16}$ inch above the turntable. Follow the directions supplied with the browning dish.

ELECTRICAL CONNECTION

If your electric power line or outlet voltage is less than 110 volts, cooking times may be longer. Have a qualified electrician check your electrical system.



MICROWAVE OVEN FEATURES



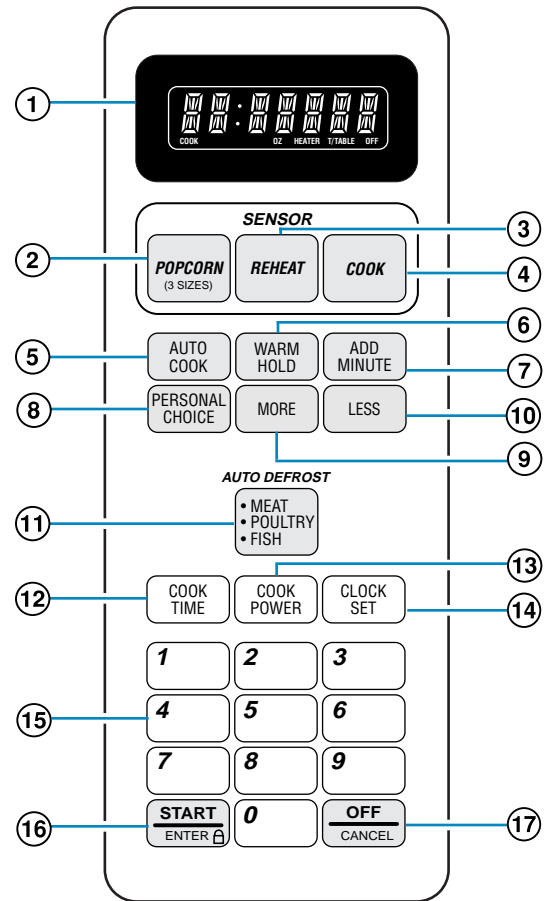
Your microwave oven is designed to make your cooking experience enjoyable and productive. To help get you up and running quickly, the following is a list of the oven's basic features:

- 1. One-Touch Door Open Button.** Push this button to open the door.
- 2. Door Safety Lock System.** The oven will not work unless the door is securely closed.
- 3. Window with Metal Shield.** The shield prevents microwaves from escaping. It is designed as a screen to allow you to view food as it cooks.
- 4. Glass Turntable.** This turntable turns food as it cooks for more even cooking. It must be in the oven during operation. The turntable is sunken into the cavity floor to give you more cooking space and better cooking results. See pages 7, 10, 33, and 39 for more details.
- 5. Removable Turntable Support** (under turntable).
- 6. Control Panel.** Touch pads on this panel to perform all functions. See pages 12-13 for more information.
- 7. Light** (not shown). The light automatically turns on when the door is opened or when the oven is running.
- 8. Cooking Guide Label.**
- 9. Model and Serial Number Plate.**

CONTROL PANEL FEATURES

Your microwave oven control panel lets you choose the cooking function you want quickly and easily. All you have to do is touch the necessary Command pad. The following is a list of all the Command and Number pads located on the control panel. For more information, see pages 14-32.

- 1. Display.** This display includes a clock and scrolling words to tell you what to do when you touch a pad.
- 2. POPCORN.** Touch this pad to pop popcorn, without entering a cook power or time. The oven's sensor will tell the oven how long to cook depending on the amount of humidity it detects from the popcorn. See page 32 for more information.
- 3. REHEAT.** Touch this pad to reheat food, without entering a cook power or time. The oven's sensor will tell the oven how long to reheat depending on the amount of humidity it detects from the food. See page 32 for more information.
- 4. COOK.** Touch this pad to cook food, without entering a cook power or time. The oven's sensor will tell the oven how long to cook depending on the amount of humidity it detects from the food. See page 30 for more information.
- 5. AUTO COOK.** Touch this pad to cook food, without entering a cook power or time. See page 23 for more information.
- 6. WARM HOLD.** Touch this pad to keep hot, cooked foods safely warm in your microwave oven for up to 99 minutes, 99 seconds. You can use WARM HOLD by itself, or to automatically follow a cooking cycle. See page 29 for more information.
- 7. ADD MINUTE.** Touch this pad to cook for 1 minute at 100% cook power. See page 28 for more information.
- 8. PERSONAL CHOICE.** Touch this pad and a Number pad to turn off tones, turn off the clock, change scroll speed, change weight measurement to kilograms, or turn on the demonstration mode. See page 14 for more information.
- 9. MORE.** Each time you touch this pad you will add 10 seconds to Auto Cook or regular timed cooking. See page 28 for more information.
- 10. LESS.** Each time you touch this pad you will subtract 10 seconds from Auto Cook or regular timed cooking. See page 28 for more information.



CONTROL PANEL FEATURES (CONT.)

- 11. AUTO DEFROST.** Touch this pad to thaw frozen food by weight. See page 24 for more information.
- 12. COOK TIME.** Touch this pad followed by Number pads to set a cooking time. See pages 16, 18, and 20 for more information.
- 13. COOK POWER.** Touch this pad, after the cook time has been set, followed by a Number pad to set the amount of microwave energy released to cook the food. The higher the number, the higher the power or faster the “cooking speed.” See page 19 for more information. See the “Microwave cooking guide” on page 34 for specific cook powers to use for the foods you are cooking.
- 14. CLOCK SET.** Touch this pad to enter the correct time of day. See page 15 for more information.
- 15. Number pads.** Touch Number pads to enter cooking times, cook powers, quantities, or weights.
- 16. START/ENTER.** Touch this pad to start a function you have set.
- 17. OFF/CANCEL.** Touch this pad once to erase an incorrect command or twice to cancel a program during cooking. This pad will not erase the time of day.

NOTE: If you try to enter unacceptable instructions, “ERROR” will appear on the display. Touch OFF/CANCEL and re-enter the instructions.

Audible signals

Your microwave oven comes with audible signals that can guide you when setting and using your oven:

- A programming tone will sound each time you touch a pad.
- Three tones signal the end of a cooking cycle or Minute Timer function.

Interrupting cooking

You can stop the oven during a cycle by opening the door. The oven stops heating and the fan stops, but the light stays on. To restart cooking, close the door and

TOUCH



If you do not want to continue cooking:

- Close the door and the light goes off.

THEN

- **TOUCH**



NOTE: Before setting a function, touch OFF/CANCEL to make sure no other function is on.

Using the child lock

The Child Lock locks the control panel so children cannot use the microwave when you do not want them to.

To lock the control panel:

TOUCH



until LOCKED appears and 2 tones sound (4 seconds)

“LOCKED” will appear on the display if a pad is touched.

To unlock the control panel:

TOUCH



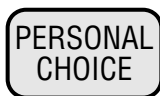
until LOCKED disappears and 2 tones sound (4 seconds)

USING PERSONAL CHOICE

PERSONAL CHOICE lets you turn on or off tones, the clock, or the demonstration mode; change scroll speed; or switch weight measurement back and forth between pounds and kilograms.

1. Touch PERSONAL CHOICE.

TOUCH



YOU SEE

your display scrolls through the options

2. Touch a Number pad.

TOUCH NUMBER PAD	TO SET	THEN TOUCH
1	sound on/off	1 for on, 2 for off
2	clock on/off	1 for on, 2 for off
3	scroll speed	1 for slow, 2 for normal, 3 for fast
4	lbs/kg choice	1 for lbs, 2 for kg
5	demo on/off	1 for on, 2 for off

NOTE: When you first plug in your microwave oven, tones are set on, the clock is set on, the scroll speed is set at normal, the weight measurement is set at lbs, and the demonstration mode is off.

BUILT-IN KITS

You can build in your microwave oven by using one of the following trim kits.* These kits are available from your dealer. If your dealer does not stock the kit you can order it, by kit part number, by calling **1-800-253-1301** and following the instructions and telephone prompts you hear.

SIZE	COLOR	KIT MODEL NO.	FOR INSTALLATION OVER WHIRLPOOL OVEN MODEL
24"	Black	MK1134XGB	RBS240PD RBS245PD
27"	Black	MK1137XGB	RBS270PD RBS275PD RBS277PD
27"***	Black	MK1197XGB	RBS270PD RBS275PD RBS277PD
30"	Black	MK1130XGB	RBS305PD RBS307PD
30"***	Black	MK1190XGB	RBS305PD RBS307PD
24"	White	MK1134XGQ	RBS240PD RBS245PD
27"	White	MK1137XGQ	RBS270PD RBS275PD RBS277PD
27"***	White	MK1197XGQ	RBS270PD RBS275PD RBS277PD
30"	White	MK1130XGQ	RBS305PD RBS307PD
30"***	White	MK1190XGQ	RBS305PD RBS307PD

* Whirlpool-approved, electric single ovens only

** Model MT1195SG only

SETTING THE CLOCK

When you first plug in your microwave oven, the display tells you to “PLEASE SET TIME OF DAY.” Then the display shows “:”. If the electric power ever goes off, the display will repeat this message when the power comes back on.

NOTE: You can cook without setting the clock, but the display will not show the correct time of day after cooking.

1. Choose the setting.

TOUCH



YOU SEE

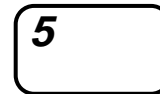
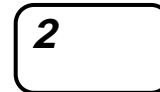
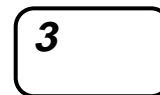
display scrolls the words “(AM or PM) ENTER TIME OF DAY”

NOTE: You can switch between AM and PM by touching CLOCK SET.

2. Enter the time of day.

Example for 3:25:

TOUCH



YOU SEE



3. Complete your entry.

TOUCH



YOU SEE



USING THE MINUTE TIMER

You can use your microwave oven as a kitchen timer. Use the Minute Timer for timing up to 99 minutes, 99 seconds.

NOTE: If you want to use other Command pads while the Minute Timer is counting down, touch OFF/CANCEL to cancel the Minute Timer.

1. Touch COOK TIME.

TOUCH

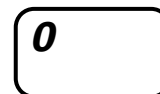
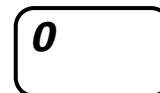
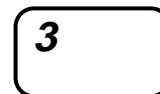


YOU SEE

display scrolls the words
"ENTER COOKING TIME"

2. Enter the time to be counted down.
Example for 3 minutes:

TOUCH



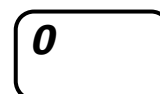
YOU SEE



display scrolls the words
"TOUCH START OR POWER"

3. Set a "0" cook power.

TOUCH



YOU SEE

display scrolls the words
"ENTER POWER LEVEL 1 TO 10"



USING THE MINUTE TIMER (CONT.)

4. Start the countdown.

TOUCH



YOU SEE



(display counts down set time)

5. At the end of the set time:

YOU SEE



(3 tones sound)

The display will show the time of day when you touch OFF/CANCEL.

TOUCH



YOU SEE



(time of day)

STANDARD MICROWAVE COOKING

This section gives you instructions for standard microwave cooking. Please read these instructions carefully.

COOKING AT HIGH COOK POWER

1. Put the food in the oven and close the door.

2. Set the cooking time.

Example for 1 minute, 30 seconds:

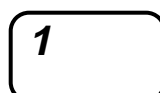
TOUCH



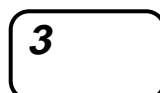
YOU SEE

display scrolls the words
"ENTER COOKING TIME"

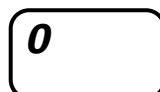
TOUCH



YOU SEE



display scrolls the words
"TOUCH START OR POWER"



3. Start the oven.

TOUCH



YOU SEE



4. At the end of the cooking time:

The display will show the time of day when you touch OFF/CANCEL.

TOUCH



YOU SEE



(3 tones sound)

YOU SEE



(time of day)

COOKING AT DIFFERENT COOK POWERS

For best results, some recipes call for different cook powers. The lower the cook power, the slower the cooking. Each Number pad also stands for a different percentage of cook power. Many microwave cookbook recipes tell you by number, percent, or name which cook power to use.

The following chart gives the percentage of cook power each Number pad stands for, and the cook power name usually used. It also tells you when to use each cook power. Follow recipe or food package instructions if available.

NOTE: Refer to a reliable cookbook for cooking times.

COOK POWER	NAME	WHEN TO USE IT
100% of full power (automatic)	High	<ul style="list-style-type: none"> ● Quick heating many convenience foods and foods with high water content, such as soups and beverages ● Cooking small tender pieces of meat, ground meat, poultry pieces, fish fillets, and vegetables
9=90% of full power	Medium-High	● Heating cream soups
8=80% of full power		● Heating rice, pasta, or casseroles
7=70% of full power		<ul style="list-style-type: none"> ● Cooking and heating foods that need a cook power lower than high (for example, whole fish and meat loaf) or when food is cooking too fast ● Reheating a single serving of food
6=60% of full power	Medium	<ul style="list-style-type: none"> ● Cooking requiring special care, such as cheese and egg dishes, pudding, and custards ● Finishing cooking casseroles
5=50% of full power		<ul style="list-style-type: none"> ● Cooking ham, whole poultry, and pot roasts ● Melting chocolate
4=40% of full power	Medium-Low, Defrost	<ul style="list-style-type: none"> ● Simmering stews ● Heating pastries
3=30% of full power		<ul style="list-style-type: none"> ● Defrosting foods, such as bread, fish, meats, poultry, and precooked foods
2=20% of full power	Low	● Softening butter, cheese, and ice cream
1=10% of full power		<ul style="list-style-type: none"> ● Keeping food warm ● Taking chill out of fruit

NOTE: Once cook time has been entered you can also use the COOK POWER pad as a second Minute Timer by entering "0" for the cook power. The oven will count down the cooking time you set without cooking.

continued on next page

COOKING AT DIFFERENT COOK POWERS (CONT.)

1. Put your food in the oven and close the door.

2. Set the cooking time.

Example for 7 minutes, 30 seconds:

TOUCH



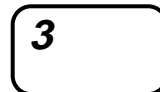
YOU SEE

display scrolls the words
"ENTER COOKING TIME"

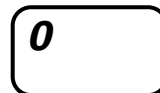
TOUCH



YOU SEE



display scrolls the words
"TOUCH START OR POWER"



3. Set the cook power.

Example for 50% cook power:

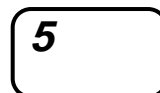
TOUCH



YOU SEE

display scrolls the words
"ENTER POWER LEVEL 1 TO 10"

TOUCH



YOU SEE



4. Start the oven.

TOUCH



YOU SEE



COOKING AT DIFFERENT COOK POWERS (CONT.)

5. At the end of the cooking time:

The display will show the time of day when you touch OFF/CANCEL.

TOUCH



YOU SEE



(3 tones sound)

YOU SEE



(time of day)

COOKING IN STAGES

For best results, some recipes call for one cook power for a certain length of time, and another cook power for another length of time. Your oven can be set to change from one to another automatically, for up to 2 stages.

You can set your chosen cook functions in any order. However, when you use AUTO DEFROST, it must be the first stage.

1. Put your food in the oven and close the door.

2. Set the cooking time for the first stage.

Example for 7 minutes, 30 seconds:

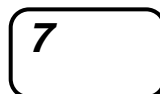
TOUCH



YOU SEE

display scrolls the words "ENTER COOKING TIME"

TOUCH



YOU SEE



display scrolls the words "TOUCH START OR POWER"

continued on next page

COOKING IN STAGES (CONT.)

3. Set the cook power for the first stage.

Example for 50% cook power:

TOUCH

COOK
POWER

YOU SEE

display scrolls the words
"ENTER POWER LEVEL 1 TO 10"

TOUCH

5

YOU SEE

P - 50

TOUCH

5 START

4. Repeat Steps 2 and 3 to set the cooking time and cook power for the second stage.

5. Start the oven.

After the first stage is over, 2 tones sound and the next stage will count down.

TOUCH

START
ENTER

YOU SEE

7:30

COOK

(first stage)

6. At the end of the cooking time:

The display will show the time of day when you touch OFF/CANCEL.

TOUCH

OFF
CANCEL

YOU SEE

END

(3 tones sound)

YOU SEE

3:25

(time of day)

USING AUTO COOK

AUTO COOK lets you cook common microwave-prepared foods without needing to set times and cook powers. AUTO COOK has preset times and cook power for six major types of food.

NOTE: If you want to cook by entering a time and cook power, see the “Microwave cooking guide” in the “Cooking Guide” section.

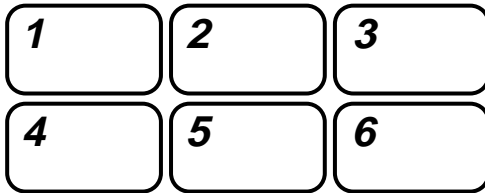
To use **AUTO COOK**:

1. Put your food in the oven and close the door.

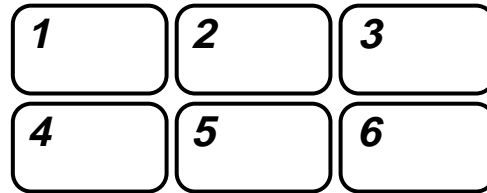
2. Touch



3. Touch one of these Number pads to choose the type of food.



4. Touch one or more of these Number pads to enter the amount.



This chart tells you how to choose a food type and what amounts you can cook.

NUMBER PAD	FOOD	INSTRUCTIONS	AMOUNT
1	Bacon	Place bacon strips on a paper plate or dinner plate lined with paper towels or on a microwave bacon rack.	2 to 6 slices
2	Frozen Roll/Muffin	Remove from the package and place on a plate. If baked good size is over 3 oz each, enter serving size as “2”.	1 to 6 each (2 to 3 ounces each)
3	Fresh Roll/Muffin	Remove from the package and place on a plate. If baked good size is over 3 oz each, enter serving size as “2”.	1 to 6 each (2 to 3 ounces each)
4	Beverage	Stir liquid several times during heating. Be careful when removing the beverage. It will be very hot.	1 to 2 cups
5	Chicken Pieces	Place the chicken pieces in a microwavable container. Cover with plastic wrap and vent.	½ to 2.0 lbs
6	Hot Cereal	Prepare as directed on the package and cook. Stir before eating. Use only instant hot cereal.	1 to 6 servings

NOTE: If you open the door or touch OFF/CANCEL during cooking, the oven will stop cooking and you will have to touch START/ENTER.

Using AUTO DEFROST

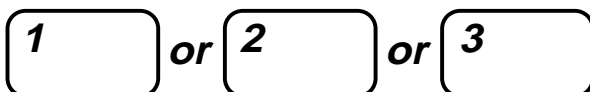
You can defrost food by choosing a category and setting a weight. AUTO DEFROST has preset times and cook powers for 3 categories: Meat, Poultry, and Fish.

To use **AUTO DEFROST**, follow the steps below:

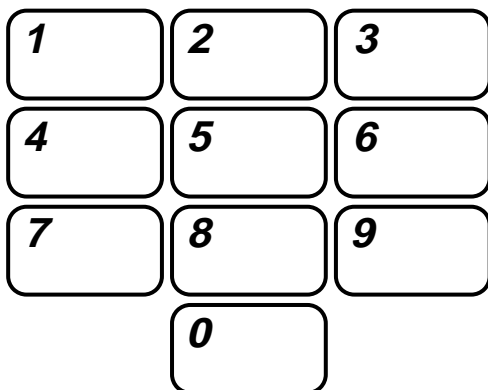
1. Touch

- MEAT
- POULTRY
- FISH

2. Touch one of three Number pads to choose the type of food.



3. Touch Number pad(s) to enter the weight.



4. Touch



NOTES:

- See the “Auto defrost chart” later in this section for defrosting directions for each food.
- To defrost items not listed in the “Auto defrost chart,” use 30% cook power. Refer to a reliable cookbook for defrosting information.
- Twice during defrosting, the display will ask you to turn food over. After you do so, close the door and touch START/ENTER to continue defrosting. See the “Auto defrost chart” later in this section for instructions on what to do when you see this message.

TimeSmart® TIPS

For even, complete defrosting

- The shape of the package affects how quickly food will defrost. Shallow packages will defrost more quickly than a deep block.
- As food begins to defrost, separate the pieces. Separated pieces defrost more evenly.
- Use small pieces of aluminum foil to shield parts of food such as chicken wings, leg tips, fish tails, or areas that start to get warm. Make sure the foil does not touch the sides, top, or bottom of the oven.

This chart shows you how to choose a type of food and the weights you can set for each type.

FOOD	TOUCH NUMBER PAD	WEIGHTS YOU CAN SET (tenths of a pound)
Meat	1	.1 to 6.0
Poultry	2	.1 to 6.0
Fish	3	.1 to 6.0

AUTO DEFROST CHART

I. Meat setting

FOOD	WHEN YOU SEE MESSAGE	SPECIAL INSTRUCTIONS
Beef		Meat of irregular shape and large, fatty cuts of meat should have the narrow or fatty areas shielded with foil at the beginning of a defrost cycle.
Ground Beef, Bulk	Remove thawed portions with fork. Turn over. Return remainder to oven.	Do not defrost less than ¼ lb.
Ground Beef, Patties	Separate and rearrange.	Do not defrost less than two 4 oz patties.
Round Steak	Turn over. Cover warm areas with aluminum foil.	Place on a microwavable roasting rack.
Tenderloin Steak	Turn over. Cover warm areas with aluminum foil.	Place on a microwavable roasting rack.
Stew Beef	Remove thawed portions with fork. Separate remainder. Return remainder to oven.	Place in a microwavable baking dish.
Pot Roast, Chuck Roast	Turn over. Cover warm areas with aluminum foil.	Place on a microwavable roasting rack.
Rib Roast	Turn over. Cover warm areas with aluminum foil.	Place on a microwavable roasting rack.
Rolled Rump Roast	Turn over. Cover warm areas with aluminum foil.	Place on a microwavable roasting rack.
Lamb		
Cubes for Stew	Remove thawed portions with fork. Return remainder to oven.	Place in a microwavable baking dish.
Chops (1 inch thick)	Separate and rearrange.	Place on a microwavable roasting rack.
Pork		
Chops (½ inch thick)	Separate and rearrange.	Place on a microwavable roasting rack.
Hot Dogs	Separate and rearrange.	Place on a microwavable roasting rack.
Spareribs, Country-Style Ribs	Turn over. Cover warm areas with aluminum foil.	Place on a microwavable roasting rack.
Sausage, Links	Separate and rearrange.	Place on a microwavable roasting rack.
Sausage, Bulk	Remove thawed portions with fork. Turn over. Return remainder to oven.	Place in a microwavable baking dish.
Loin Roast, Boneless	Turn over. Cover warm areas with aluminum foil.	Place on a microwavable roasting rack.

continued on next page

AUTO DEFROST CHART

2. Poultry setting

FOOD	WHEN YOU SEE MESSAGE	SPECIAL INSTRUCTIONS
Chicken		
Whole	Turn over (finish defrosting breast-side down). Cover warm areas with aluminum foil.	Place chicken breast-side up on a microwavable roasting rack. Finish defrosting by immersing in cold water. Remove giblets when chicken is partially defrosted.
Cut Up	Separate pieces and rearrange. Turn over. Cover warm areas with aluminum foil.	Place on a microwavable roasting rack. Finish defrosting by immersing in cold water.
Cornish Hens		
Whole	Turn over. Cover warm areas with aluminum foil.	Place on a microwavable roasting rack. Finish defrosting by immersing in cold water.
Turkey		
Breast	Turn over. Cover warm areas with aluminum foil.	Place on a microwavable roasting rack. Finish defrosting by immersing in cold water.

3. Fish setting

FOOD	WHEN YOU SEE MESSAGE	SPECIAL INSTRUCTIONS
Fish		
Fillets	Turn over. Separate fillets when partially thawed.	Place in a microwavable baking dish. Carefully separate fillets under cold water.
Steaks	Separate and rearrange.	Place in a microwavable baking dish. Run cold water over to finish defrosting.
Whole	Turn over.	Place in a microwavable baking dish. Cover head and tail with foil; do not let foil touch sides of microwave oven. Finish defrosting by immersing in cold water.
Shellfish		
Crabmeat	Break apart. Turn over.	Place in a microwavable baking dish.
Lobster Tails	Turn over and rearrange.	Place in a microwavable baking dish.
Shrimp	Separate and rearrange.	Place in a microwavable baking dish.
Scallops	Separate and rearrange.	Place in a microwavable baking dish.

DEFROSTING TIPS

- When using AUTO DEFROST, you need to enter the net weight (the weight of the food minus the container). Enter the weight to the nearest $\frac{1}{10}$ lb.
- Only use AUTO DEFROST for raw food. AUTO DEFROST gives best results when the food to be thawed is completely frozen. If the food is partially defrosted, always set a lower food weight (for a shorter defrosting time) to prevent cooking the food.
- For better results, a preset standing time is included in the defrosting time. This may make the defrosting time seem longer than expected. (For more information on standing time, see the “Microwave cooking tips” in the “Cooking Guide” section.)

Weight conversion chart

You are probably used to food weights as being in pounds and ounces that are fractions of a pound (for example 4 ounces equals $\frac{1}{4}$ pound). However, in order to enter food weight in AUTO DEFROST, you must specify pounds and tenths of a pound.

If the weight on the food package is in fractions of a pound, you can use the following chart to convert the weight to decimals.

DECIMAL WEIGHT	EQUIVALENT OUNCE WEIGHT	EQUIVALENT GRAM WEIGHT
.10	1.6	45
.20	3.2	91
.25 One-Quarter Pound	4.0	113
.30	4.8	136
.40	6.4	181
.50 One-Half Pound	8.0	227
.60	9.6	272
.70	11.2	318
.75 Three-Quarters Pound	12.0	340
.80	12.8	363
.90	14.4	408
1.00 One Pound	16.0	454

USING ADD MINUTE

ADD MINUTE lets you cook food for 1 minute at 100% cook power.

NOTES:

- Each time you touch ADD MINUTE, it will add 1 minute.

- You can enter ADD MINUTE only after closing the door or after touching OFF/CANCEL.
- You can only use ADD MINUTE to start the oven if no other cooking function is running.

1. Make sure your food is in the oven.

2. Touch ADD MINUTE.

Example when cooking for one minute:

TOUCH



once

YOU SEE



3. At the end of the cooking time:

The display will show the time of day when you touch OFF/CANCEL.

TOUCH



YOU SEE



(3 tones sound)

YOU SEE



USING MORE OR LESS

If a preset cooking time is too long or too short, you can lengthen or shorten the cooking time during the cooking cycle.

To add 10 seconds to a remaining cook time of 1 minute:

TOUCH



YOU SEE



To subtract 10 seconds from a remaining cook time of 1 minute:

TOUCH



YOU SEE



NOTE: You can only use MORE and LESS with Auto Cook or regular timed cooking.

USING WARM HOLD

You can safely keep hot, cooked food warm in your microwave oven for up to 99 minutes, 99 seconds. You can use WARM HOLD by itself, or to automatically follow a cooking cycle.

NOTES:

- WARM HOLD operates for up to 99 minutes, 99 seconds.
- Opening the oven door cancels WARM HOLD. Close the door and touch WARM HOLD, then touch START/ENTER if additional WARM HOLD time is desired.

- Food cooked covered should be covered during WARM HOLD.
- Pastry items (pies, turnovers, etc.) should be uncovered during WARM HOLD.
- Complete meals kept warm on a dinner plate should be covered during WARM HOLD.
- Do not use more than 1 complete WARM HOLD cycle (about 1 hour, 40 minutes). The quality of some foods will suffer with extended time.

1. Put hot, cooked food in the oven and close the door.

2. Touch WARM HOLD.

TOUCH



YOU SEE



3. Start the oven.

TOUCH



YOU SEE



To make WARM HOLD automatically follow another cycle:

- While you are entering cooking instructions, touch WARM HOLD before touching START/ENTER.
- When the last cooking cycle is over, you will hear 2 tones. "WARM" will come on while the oven continues to run.

SENSOR COOKING

Your microwave oven has a sensor that detects the humidity released by the food. The amount of humidity detected tells the oven how long to cook or heat your food. The sensor is used by 3 special functions: **SENSOR COOK**, **SENSOR REHEAT**, and **SENSOR POPCORN**. The simple instructions for these functions are on the following pages.

USING SENSOR COOK

SENSOR COOK has preset cook powers for cooking 10 different types of food.

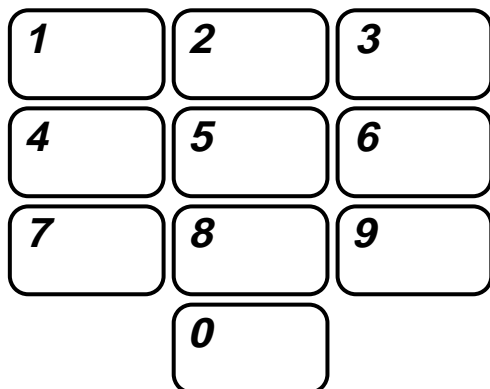
To use **SENSOR COOK**:

1. Put the food in the oven and close the door.
2. Touch



3. Touch a Number pad to choose the type of food.

NOTE: See the chart below for the types of food to choose from.



NOTES:

- If you want to cook by entering a time and cook power, see “Microwave cooking guide” in the “Cooking Guide” section.
- The oven should be plugged in at least 5 minutes before sensor cooking.
- Room temperature should not exceed 95°F.
- Be sure the exterior of the cooking container and the interior of the oven are dry. Wipe off each with a paper towel.
- The oven will not generate microwave energy for approximately 28 seconds at the beginning of the sensor cooking cycle.

This chart tells you how to choose a food type and what amounts you can cook.

NUMBER PAD	FOOD	INSTRUCTIONS	AMOUNT
1	Potato	Pierce each potato with a fork and place on the oven tray around the edge, at least 1 inch apart.	1 to 4 medium, about 8 to 10 oz each
2	Fresh Vegetable	Place moist vegetables in a microwavable container. Cover with plastic wrap and vent.	1 to 4 cups
3	Frozen Vegetable	Remove from package. Place vegetables in a microwavable container. Cover with plastic wrap and vent.	1 to 4 cups

USING SENSOR COOK (CONT.)

NUMBER PAD	FOOD	INSTRUCTIONS	AMOUNT
4	Frozen Entrée	Remove from outer package. Loosen cover on three sides. If entrée is not in a microwave-safe container, place it on a plate, cover with plastic wrap and vent.	Works best if entrée is 10 to 20 oz.
5	Rice	Follow measurements on package for ingredient amounts. Place rice and liquid (water or chicken or vegetable stock) in a microwavable dish. Cover with plastic wrap. When cooking is complete, allow rice to stand 5 minutes or until liquid is absorbed. Stir rice.	½ to 2 cups of dry rice Use medium or long grain rice. Cook instant rice according to directions on the package.
6	Casserole	Combine the ingredients per the recipe in a 1- to 2-quart casserole. Cover with plastic wrap and vent. After cooking is complete, allow 5 minutes standing time.	1 to 3 cups
7	Ground Meat	Crumble meat into a microwavable container. Season and cover with plastic wrap. Vent cover for well-done meat.	¼ to 2 lbs
8	Fish, Seafood	Place the food around the sides of a microwave-safe container. Season and add ¼- to ½-cup liquid (wine, water, salsa, etc.) if desired. Cover with plastic wrap, vented.	¼ to 2 lbs
9	Eggs, Scrambled	Break eggs into a 4-cup measuring cup or 1-quart casserole. Add 1 tablespoon milk or water per egg and beat. Cover with plastic wrap, vented. When cooking is complete, remove from oven, stir, and allow 1 to 2 minutes standing time.	1 to 4 eggs
0	Frozen Pizza	Follow package directions.	1 to 2 servings

NOTE: If you open the door or touch OFF/CANCEL during cooking, the oven will stop cooking and you will have to touch START/ENTER.

USING SENSOR REHEAT

SENSOR REHEAT has preset cook powers for 3 different types of food.

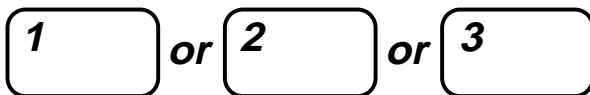
NOTE: If you want to reheat by entering a time and cook power, see the “Heating/reheating chart” in the “Cooking Guide” section.

To use **SENSOR REHEAT**:

1. Put the food in the oven and close the door.
2. Touch



3. Touch one of three Number pads to choose the type of food.



This chart tells you how to choose a food type and what amounts you can reheat.

NUMBER PAD	FOOD	INSTRUCTIONS	AMOUNT
1	Dinner Plate	Place food to be heated on a dinner plate or similar dish. Cover with plastic wrap.	about 8 to 16 oz
2	Soup/ Sauce	Place food to be heated in a microwave container. Cover with plastic wrap.	1 to 4 cups
3	Casserole	Place food to be heated in a microwave container. Cover with plastic wrap.	1 to 2 cups

USING SENSOR POPCORN

SENSOR POPCORN lets you pop commercially packaged microwave popcorn by touching just 1 pad.

NOTES:

- Pop only 1 package at a time.
- If you are using a microwave popcorn popper, follow manufacturer’s instructions.

To use **SENSOR POPCORN**:

1. Place the bag in the center of the turntable and close the door.
2. Touch



TimeSmart® TIPS

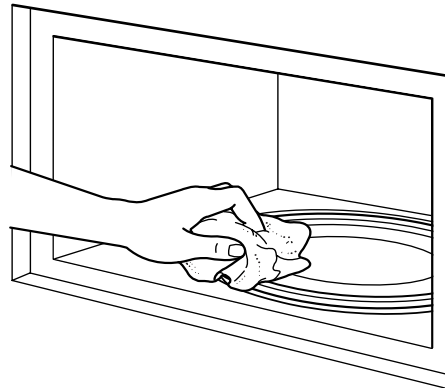
Popcorn brands make a difference

How well your popcorn cooks will depend on the brand of popcorn and how much fat it has in it. Try several brands to decide which pops the best. For best results use fresh bags of popcorn.

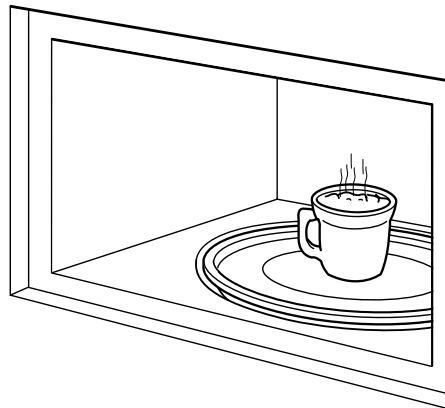
CARING FOR YOUR MICROWAVE OVEN

To make sure your microwave oven looks good and works well for a long time, you should maintain it properly. For proper care, please follow these instructions carefully.

For interior surfaces: Wash often with warm, sudsy water and a sponge or soft cloth. **Use** only mild, nonabrasive soaps or a mild detergent. **Be sure to keep the areas clean where the door and oven frame touch when closed.** Wipe well with clean water. Over time, stains can occur on the surfaces as the result of food particles spattering during cooking. This is normal.



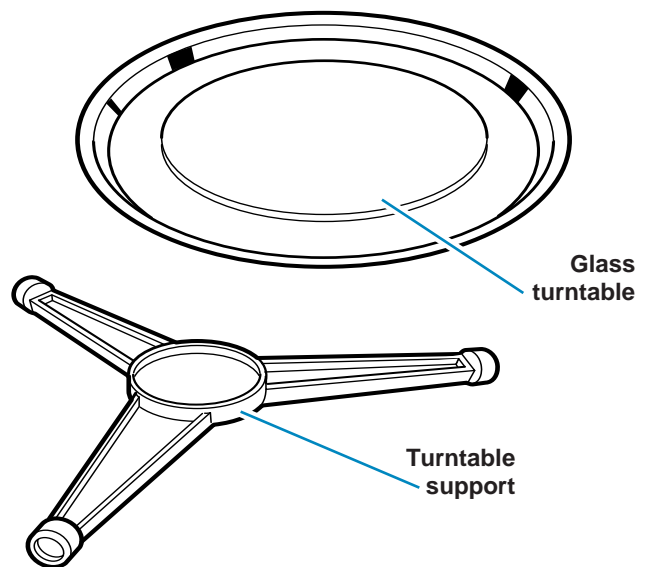
For stubborn soil, **boil** a cup of water in the oven for 2 or 3 minutes. Steam will soften the soil. To get rid of odors inside the oven, **boil** a cup of water with lemon juice or vinegar.



For exterior surfaces and control panel: Use a soft cloth with spray glass cleaner. Apply the spray glass cleaner to the soft cloth; do not spray directly on the oven.

NOTE: Abrasive cleansers, steel-wool pads, gritty wash cloths, some paper towels, etc., can damage the control panel and the interior and exterior oven surfaces.

To clean turntable and turntable support, wash in mild, sudsy water; for heavily soiled areas **use** a mild cleanser and scouring sponge. The turntable and turntable support are dishwasher-safe.



COOKING GUIDE

MICROWAVE COOKING GUIDE

NOTES:

- Do not use aluminum foil during the cooking cycle.
- See “Using SENSOR COOK” in the “Sensor Cooking” section for instructions on how to cook without cooking time and cook power.

Meat

1. Prepare the roast as you normally would and season it if you want. Defrost meat completely before cooking.
2. Place the meat on a microwave roasting rack or oven proof plate and place on the turntable.
3. Cook by following the “Meat cooking chart” below. Use the longer time for large meats and the shorter time for smaller meats. For thicker chops, use the longer time.
4. Turn the meat once halfway through the cooking time.
5. **After cooking, let stand** for 5 to 10 minutes wrapped in foil before serving. The standing time is very important because it finishes the cooking.
6. Use a meat thermometer. Make sure meat, especially pork, is completely cooked before eating.

Meat cooking chart

CUT	COOK POWER	COOKING TIME PER POUND (IN MINUTES)
Beef		
Standing/Rolled Rib		
– Rare	8	8½ to 9
– Medium	8	9 to 10
– Well-done	8	11 to 12½
Hamburgers, Fresh or Defrosted (4 oz each)		
– 2 patties	HIGH (100%)	2 to 4
– 4 patties	HIGH (100%)	3 to 5
Pork		
Loin, Leg	8	12 to 15

NOTE: Use the above times only as a guide. Change times as needed to suit your taste. The times may vary due to the shape, cut, and quality of the meat.

Poultry

1. Prepare the poultry as you normally would and season it if you want.
2. Make sure poultry is completely defrosted. Remove giblets and any metal clamps.
3. Prick the skin. Brush the skin lightly with vegetable oil, unless the poultry is self basting.
4. Place all poultry on a microwave roasting rack or microwave-proof plate. Then place on the turntable.
5. Cook by following the “Poultry cooking chart” below. Turn the bird over halfway through the cooking time. Poultry, because of its shape, tends to cook unevenly, especially in very bony parts. Turning the bird during roasting helps to cook these areas evenly.
6. **After cooking, let stand** for 5 to 10 minutes wrapped in foil before carving. The standing time is very important because it finishes the cooking.
7. Use a meat thermometer. Make sure poultry is completely cooked before eating. Whole poultry is completely cooked when the internal temperature is 180°F and the juices run clear from the inside thigh when it is pierced with a sharp knife. Pierce poultry portions through the thickest part to make sure that the juices are clear and flesh is firm.

Poultry cooking chart

POULTRY	COOK POWER	COOKING TIME PER POUND (IN MINUTES)
Chicken		
Whole	8	10 to 12
Breast (boned) Portions	8	9 to 11 10 to 13
Turkey		
Whole	8	10 to 12

NOTES:

- Use the above times only as a guide. Change times as needed to suit your taste. The times may vary due to the shape, cut, and quality of the food.
- If whole birds are stuffed, use the weight of the stuffed bird when figuring the cooking time.

MICROWAVE COOKING GUIDE (CONT.)

Fish

1. Arrange fish in a large, shallow, nonmetallic dish or casserole.
2. Cover with pierced microwave plastic film or casserole lid.
3. Place the dish on the turntable.
4. Cook by following the “Fresh fish cooking chart” below. You can add flakes of butter to the fish if you want.
5. **After cooking, let stand** before serving. The standing time is very important because it finishes the cooking.
6. After standing time, check to see that the fish is completely cooked. The fish should not look clear and should flake easily.

HEATING/REHEATING CHART

For best heating or reheating results in your microwave oven, follow these guidelines:

- Measure the amount of food to determine the time needed to reheat.
- Arrange the food in a circular pattern.
- Take canned foods out of the can and place them in a microwavable container.

- For more even heating, cover food with a microwavable lid or plastic wrap, vented. Remove the cover carefully to prevent steam burns.

NOTE: See “Using SENSOR REHEAT” in the “Sensor Cooking” section for instructions on how to reheat without cooking time and cook power.

Use the following chart as a guide for reheating cooked food.

FOOD	COOKING TIME (IN MINUTES AT HIGH)	INSTRUCTIONS
Sliced Meat 3 slices (¼ inch thick)	1 to 1½	Place sliced meat on a microwavable dish. Cover with plastic wrap and vent. NOTE: Gravy or sauce helps to keep meat juicy.
Chicken Pieces 1 breast 1 leg and thigh	2 to 3 1½ to 2½	Place chicken pieces on microwavable dish. Cover with plastic wrap and vent.
Fish Fillet (6 to 8 oz)	2 to 3	Place fish on microwavable dish. Cover with plastic wrap and vent.
Lasagna 1 serving (10½ oz)	4 to 5½	Place lasagna on microwavable dish. Cover with plastic wrap and vent.

continued on next page

HEATING/REHEATING CHART (CONT.)

FOOD	COOKING TIME (IN MINUTES AT HIGH)	INSTRUCTIONS
Sloppy Joe or Barbecued Beef 1 sandwich (½-cup meat filling) without bun	1 to 2	Reheat filling and bun separately. Heat filling covered in microwavable dish. Stir once. Heat bun separately.
Mashed Potatoes 1 cup 4 cups	1½ to 2½ 5 to 7	Heat covered in microwavable dish. Stir once halfway through cooking.
Baked Beans 1 cup	1½ to 2½	Heat covered in microwavable dish. Stir once halfway through cooking.
Ravioli or Pasta in Sauce 1 cup 4 cups	2½ to 3½ 7½ to 10½	Heat covered in microwavable dish. Stir once halfway through cooking.
Rice 1 cup 4 cups	1½ to 3 4½ to 6	Heat covered in microwavable dish. Stir once halfway through cooking.

MICROWAVE COOKING TIPS

Amount of food

- **If you increase or decrease** the amount of food you prepare, the time it takes to cook that food will also change. For example, if you double a recipe, add a little more than half the original cooking time. Check for doneness and, if necessary, add more time in small increments.

Starting temperature of food

- **The lower the temperature** of the food being put into the microwave oven, the longer it takes to cook. Food at room temperature will be reheated more quickly than food at refrigerator temperature.

Composition of food

- **Food with a lot of fat and sugar** will be heated faster than food containing a lot of water. Fat and sugar will also reach a higher temperature than water in the cooking process.
- **The more dense the food**, the longer it takes to heat. “Very dense” food like meat takes longer to reheat than lighter, more porous food like sponge cakes.

Size and shape

- **Smaller pieces of food** will cook faster than larger pieces. Also, same-shaped pieces cook more evenly than different-shaped pieces.
- **With foods that have different thicknesses**, the thinner parts will cook faster than the thicker parts. **Place** the thinner parts of chicken wings and legs in the center of the dish.

Stirring, turning foods

- **Stirring and turning foods** spreads heat quickly to the center of the dish and avoids overcooking at the outer edges of the food.

Covering food

Cover food to:

- **Reduce** splattering
- **Shorten** cooking times
- **Keep** food moist

You can use any covering that lets microwaves pass through.

Releasing pressure in foods

- **Several foods** (for example: baked potatoes, sausages, egg yolks, and some fruits) are tightly covered by a skin or membrane. Steam can build up under the membrane during cooking, causing the food to burst. To relieve the pressure and to prevent bursting, **pierce** these foods before cooking with a fork, cocktail pick, or toothpick.

Using standing time

- **Always allow food to stand** after cooking. Standing time after defrosting and cooking allows the temperature to evenly spread throughout the food, improving the cooking results.
- **The length of the standing time** depends on how much food you are cooking and how dense it is. Sometimes it can be as short as the time it takes you to remove the food from the oven and take it to the serving table. However, with larger, denser food, the standing time may be as long as 10 minutes.

continued on next page

MICROWAVE COOKING TIPS (CONT.)

Arranging food

For best results, place food evenly on the plate. You can do this in several ways:

- **If you are cooking several items of the same food**, such as baked potatoes, **place** them in a ring pattern for uniform cooking.
- **When cooking foods of uneven shapes or thickness, such as chicken breasts, place** the smaller or thinner area of the food towards the center of the dish where it will be heated last.
- **Layer thin slices of meat** on top of each other.
- **When you cook or reheat whole fish, score** the skin – this prevents cracking.
- **Do not** let food or a container touch the top or sides of the oven. This will prevent possible arcing.

Using aluminum foil

Metal containers should not be used in a microwave oven. There are, however, some exceptions. If you have purchased food which is prepackaged in an aluminum foil container, refer to the instructions on the package. When using aluminum foil containers, cooking times may be longer because microwaves will only penetrate the top of the food.

If you use aluminum containers without package instructions, follow these guidelines:

- **Place** the container in a glass bowl and add some water so that it covers the bottom of the container, not more than $\frac{1}{4}$ inch high. This ensures even heating of the container bottom.
- **Always remove** the lid to avoid damage to the oven.
- **Use only** undamaged containers.
- **Do not use** containers taller than $\frac{3}{4}$ inch.
- **Container must be** half filled.
- **To avoid arcing**, there must be a minimum $\frac{1}{4}$ inch between the aluminum container and the walls of the oven and also between two aluminum containers.
- **Always place** the container on the turntable.
- **Reheating food** in aluminum foil containers usually takes up to double the time compared to reheating in plastic, glass, china, or paper containers. The time when food is ready will vary depending upon the type of container you use.
- **Let food stand** for 2 to 3 minutes after heating so that heat is spread evenly throughout container.

Cooking you should not do in your microwave oven

- **Do not** do canning of foods in the oven. Closed glass jars may explode, resulting in damage to the oven or possible personal injury.
- **Do not** use the microwave oven to sterilize objects (baby bottles, etc.). It is difficult to keep the oven at the high temperature needed for safe sterilization.

QUESTIONS AND ANSWERS

QUESTIONS	ANSWERS
Can I operate my microwave oven without the turntable or turn the turntable over to hold a large dish?	No. If you remove or turn over the turntable, you will get poor cooking results. Dishes used in your oven must fit on the turntable.
Can I use a rack in my microwave oven so that I may reheat or cook on two levels at a time?	You can use a rack only if the rack is supplied with your microwave oven. If you use a rack not supplied with the microwave oven, you can get poor cooking performance and/or arcing.
Can I use either metal or aluminum pans in my microwave oven?	You can use aluminum foil for shielding (use small, flat pieces), small skewers, and shallow foil trays (if tray is not taller than $\frac{3}{4}$ inch deep and half filled with food to absorb microwave energy). Never allow metal to touch walls or door. (For more information, see "Using aluminum foil" in the "Cooking Guide" section.)
Is it normal for the turntable to turn in either direction?	Yes. The turntable rotates clockwise or counter-clockwise, depending on the rotation of the motor when the cooking cycle begins.
Sometimes the door of my microwave oven appears wavy. Is this normal?	This appearance is normal and does not affect the operation of your oven.
What are the humming noises that I hear when my microwave oven is operating?	You hear the sound of the transformer when the magnetron tube cycles on.
Why does the dish become hot when I microwave food in it? I thought that this should not happen.	As the food becomes hot it will conduct the heat to the dish. Be prepared to use hot pads to remove food after cooking.
What does "standing time" mean?	"Standing time" means that food should be removed from the oven and covered for additional time to allow it to finish cooking. This frees the oven for other cooking.
Why does steam come out of the air exhaust vent?	Steam is normally produced during cooking. The microwave oven has been designed to vent this steam out the vents.
Can I pop popcorn in my microwave oven? How do I get the best results?	Yes. Pop packaged microwave popcorn following manufacturer's guidelines or use the sensor POPCORN pad. Do not use regular paper bags. Use the "listening test" by stopping the oven as soon as the popping slows to a "pop" every 1 or 2 seconds. Do not repop unpopped kernels. Do not pop popcorn in glass cookware.

TROUBLESHOOTING

Most cooking problems often are caused by little things you can find and fix without tools of any kind. Check the lists below and on the next page before calling for assistance or service. If you still need help, see the “Requesting Assistance or Service” section on page 42.

MICROWAVE OVEN DOES NOT WORK

PROBLEM	CAUSE
Nothing works.	<ul style="list-style-type: none">• The power supply cord is not plugged into a live circuit with the proper voltage. (See the “Electrical requirements” on page 6 and “Electrical connection” on page 10.)• A household fuse has blown or a circuit breaker has tripped.• The electric company has had a power failure.
The microwave oven will not run.	<ul style="list-style-type: none">• You are using the oven as a timer. Touch OFF/CANCEL to cancel the Minute Timer.• The door is not firmly closed and latched.• You did not touch START/ENTER.• You did not follow directions exactly.• An operation that you set earlier is still running. Touch OFF/CANCEL to cancel that operation.

COOKING TIMES

PROBLEM	CAUSE
Food is not cooked enough.	<ul style="list-style-type: none">• The electric supply to your home or wall outlets is low or lower than normal. Your electric company can tell you if the line voltage is low. Your electrician or service technician can tell you if the outlet voltage is low.• The cook power is not at the recommended setting. Check the “Microwave cooking guide” section on page 34.• You have not allowed enough cooking time for the amount of food being cooked. Larger amounts of food need longer cooking times.
The display shows a time counting down but the oven is not cooking.	<ul style="list-style-type: none">• You have set the controls as a minute timer. Touch OFF/CANCEL to cancel the Minute Timer.

TURNTABLE

PROBLEM	CAUSE
The turntable will not turn.	<ul style="list-style-type: none"> • The turntable is not correctly in place. It should be correct-side up. • The support is not operating correctly. Remove the turntable and restart the oven. If the support still does not move, call an authorized service technician for repair. Cooking without the turntable can give you poor results.

TONES

PROBLEM	CAUSE
You do not hear the programming or end-of-cycle tone.	<ul style="list-style-type: none"> • You have not entered the correct command. • You have turned off the tone. See “Audible signals” on page 13 and “Using PERSONAL CHOICE” section on page 14.

FAN PROBLEMS

PROBLEM	CAUSE
The fan seems to be running slower than usual.	<ul style="list-style-type: none"> • The oven has been stored in a cold area. The fan will run slower until the oven warms up to normal room temperature.

DISPLAY MESSAGES

PROBLEM	CAUSE
The display is scrolling “PLEASE SET TIME OF DAY”.	<ul style="list-style-type: none"> • There has been a power interruption. Reset the clock. (See the “Setting the clock” section on page 15.)

If none of these items are causing your problem, see the “Requesting Assistance or Service” section on page 42.

REQUESTING ASSISTANCE OR SERVICE

To avoid unnecessary service calls, please check the “Troubleshooting” section. It may save you the cost of a service call. If you still need help, follow the instructions below.

IF YOU NEED ASSISTANCE OR SERVICE

Call the Whirlpool Consumer Assistance Center toll free at 1-800-253-1301. Our consultants are available to assist you.



When calling:

Please know the purchase date, and the complete model and serial number of your appliance (see the “A Note to You” section). This information will help us better respond to your request.

Our consultants provide assistance with:

- Features and specifications on our full line of appliances
- Installation information

- Use and maintenance procedures
- Accessory and repair parts sales
- Specialized customer assistance (Spanish speaking, hearing impaired, limited vision, etc.)
- Referrals to local dealers, service companies, and repair parts distributors

Whirlpool service technicians are trained to fulfill the product warranty and provide after-warranty service, anywhere in the United States.

To locate the authorized Whirlpool service company in your area, you can also look in your telephone directory Yellow Pages.

FOR FURTHER ASSISTANCE

If you need further assistance, you can write to Whirlpool with any questions or concerns at:

Whirlpool Brand Home Appliances
Consumer Assistance Center
c/o Correspondence Dept.
2000 North M-63
Benton Harbor, MI 49022-2692

Please include a daytime phone number in your correspondence.

INDEX

This index is alphabetical. It contains all the topics included in this manual, along with the page(s) on which you can find each topic.

TOPIC	PAGE	TOPIC	PAGE
ALUMINUM FOIL	38	ELECTRICAL REQUIREMENTS	6, 10
AUDIBLE SIGNALS	13	ERROR SIGNALS	13
BUILT-IN KITS	14	GROUNDING INSTRUCTIONS	6
CARING FOR YOUR MICROWAVE OVEN	33	HOW YOUR MICROWAVE OVEN WORKS	7-8
CHARTS		INSTALLATION INSTRUCTIONS	5
Auto cook	23	PARTS AND FEATURES	
Auto defrost	24, 25, 26	Cooking guide label	11
Heating/reheating	35	Door open button	11
Meat cooking	34	Door safety lock system	11
Poultry cooking	34	Light	11
Sensor cook	30	Magnetron	7, 39
Sensor reheat	32	Model and serial number plate	11
Weight conversion	27	Turntable	7, 10, 11, 33, 39
CONTROL PANEL	12, 13	Vents (exhaust & air intake openings)	5
ADD MINUTE	28	Window	11
Audible signals	13	QUESTIONS AND ANSWERS	39
AUTO COOK	23	RACK	39
AUTO DEFROST	24	RADIO INTERFERENCE	8
Child lock	13	REQUESTING ASSISTANCE OR SERVICE	42
CLOCK SET	15	SAFETY	3-4, 9-10
Cooking at different cook powers	19	STANDING TIME	27, 37, 39
Cooking at high cook power	18	TESTING YOUR DINNERWARE OR COOKWARE	9
Cooking in stages	21	TESTING YOUR MICROWAVE OVEN	8
COOK POWER	19, 20, 22	TIPS	
COOK TIME	18, 20, 21	Cooking	8, 37
Interrupting cooking	13	Defrosting	24, 27
Minute timer	16	Popcorn	32
MORE/LESS	28	TROUBLESHOOTING	40-41
Number pads	13	WARRANTY	44
OFF/CANCEL	13		
PERSONAL CHOICE	14		
SENSOR COOK	30		
SENSOR POPCORN	32		
SENSOR REHEAT	32		
START/ENTER	13		
WARM HOLD	29		

WARRANTY

WHIRLPOOL® MICROWAVE OVEN

LENGTH OF WARRANTY	WHIRLPOOL WILL PAY FOR
FULL ONE-YEAR WARRANTY FROM DATE OF PURCHASE	FSP® replacement parts and repair labor to correct defects in materials or workmanship. Service must be provided by an authorized Whirlpool service company.
LIMITED FOUR-YEAR WARRANTY SECOND THROUGH FIFTH YEAR FROM DATE OF PURCHASE	FSP replacement magnetron tube on microwave ovens if defective in materials or workmanship.
WHIRLPOOL WILL NOT PAY FOR	
<p>A. Service calls to:</p> <ol style="list-style-type: none"> 1. Correct the installation of your microwave oven. 2. Instruct you how to use your microwave oven. 3. Replace house fuses or correct house wiring. 4. Replace owner-accessible light bulbs. <p>B. Repairs when your microwave oven is used in other than normal, single-family household use.</p> <p>C. In-home service. Your microwave oven must be taken to an authorized Whirlpool service company, except when your microwave oven is installed over an approved Whirlpool oven using an approved built-in kit. (See the “Built-In kits” section for a list of approved built-in kits.)</p> <p>D. Damage to your microwave oven caused by accident, misuse, fire, flood, acts of God, or use of products not approved by Whirlpool.</p> <p>E. Any labor costs during limited warranty.</p> <p>F. Repairs to parts or systems resulting from unauthorized modifications made to the appliance.</p>	

9/97

WHIRLPOOL CORPORATION SHALL NOT BE LIABLE FOR INCIDENTAL OR CONSEQUENTIAL DAMAGES. Some states do not allow the exclusion or limitation of incidental or consequential damages, so this exclusion or limitation may not apply to you. This warranty gives you specific legal rights, and you may also have other rights which vary from state to state.

Outside the United States, a different warranty may apply. For details, please contact your authorized Whirlpool dealer.

If you need service, first see the “Troubleshooting” section of this book. After checking “Troubleshooting,” additional help can be found by checking the “Requesting Assistance or Service” section or by calling our Consumer Assistance Center telephone number, **1-800-253-1301**, from anywhere in the U.S.A.