



Frigidaire

Factory Parts Catalog

Product No.	CFMV156DBE	CFMV156DCF	CFMV156DSE
Market	Canada	Canada	Canada
Color	black	stainless steel	white
Volts	120	120	120
Watts	950	950	950
Wiring Diagram	5995520854	5995520854	5995520854
Owner's Guide	316137230	316137230	316137230
Installation Instructions	316137233	316137233	316137333



Electrolux Major Appliances
 North & Latin America
 5855 TERRY FOX WAY
 MISSISSAUGA, ONTARIO, CANADA L5V
 3E4

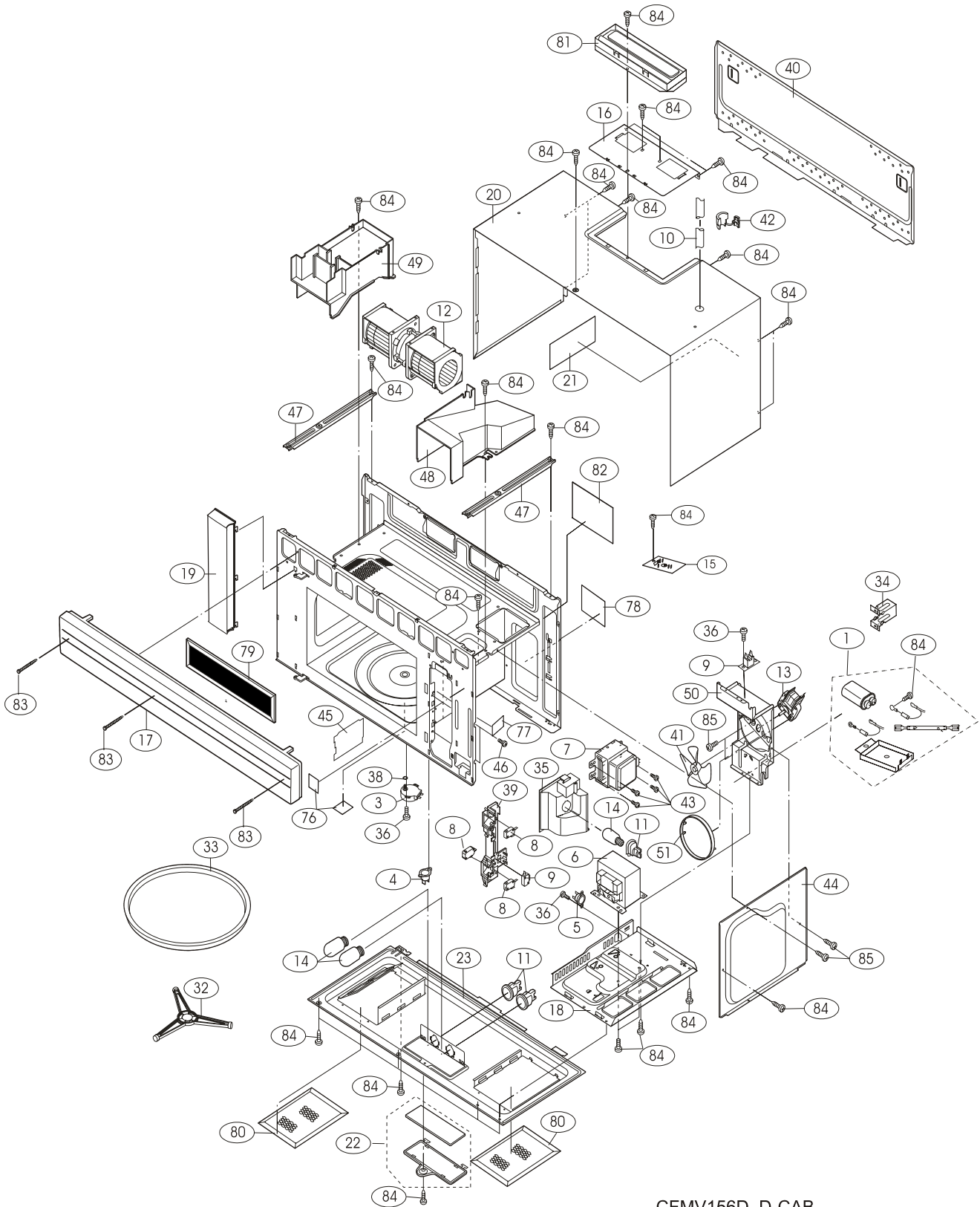
Publication No.
5995520854
 08/08/13
 (EN/SERVICE/KC)
 099

**OVER-RANGE
 MICROWAVE**

Model No.
CFMV156D

Copyright © 2008 Electrolux Home Products, Inc.
 All rights reserved.

OVEN, CABINET



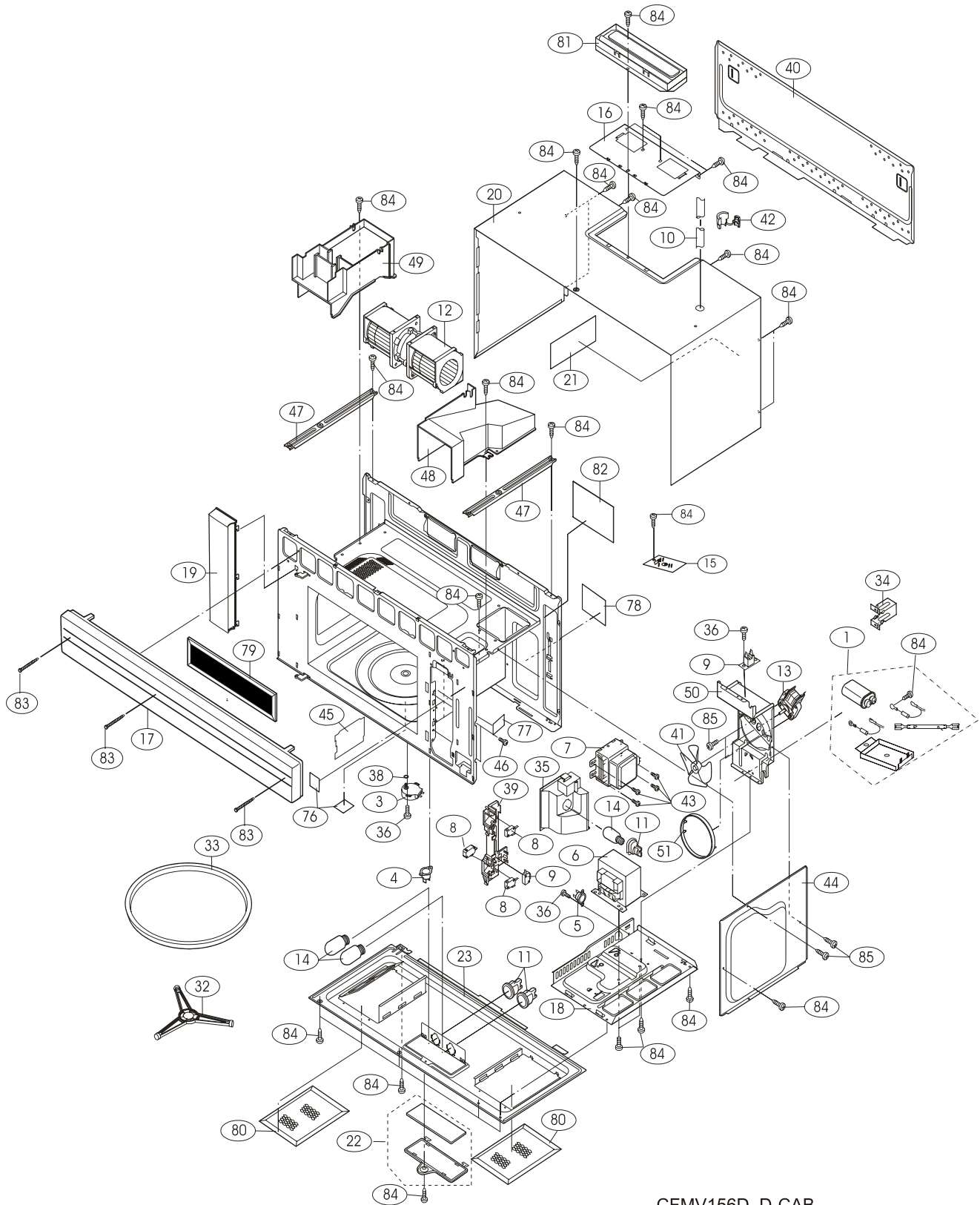
CFMV156D_D-CAB

OVEN,CABINET

Model Index: A CFMV156D (CFMV156DBE)
 B CFMV156D (CFMV156DCF)
 C CFMV156D (CFMV156DSE)

POS. NO	PART NO.		DESCRIPTION
1 #	5304461681	A B C	HV Assy, incl rectifier, capacitor, wire
3 #	5304448488	A B C	Motor, turntable
4 #	5304440032	A B C	Thermal Cutout, oven cavity
5 #	5304440023	A B C	Thermal Cutout, hood
6 #	5304461585	A B C	Transformer, power
7 #	5304448837	A B C	Magnetron
8 #	5304440026	A B C	Switch, interlock, door sensor
9 #	5304440027	A B C	Switch Kit, monitor, with CT fuse
10 #	5304440028	A B C	Power Cord, electric
11 #	5303319561	A B C	Receptacle, lamp socket, oven
12 #	5304441847	A B C	Motor, hood fan
13 #	5304441848	A B C	Motor, cooling fan
14	5304440031	A B C	Lamp, incandescent, 20 W, (3)
15 #	5303322968	A B C	Filter, noise, electronic
16	5304441849	A B C	Plate, rear stay
17	5304458567	A B -	Grille, exhaust louver, black
17	5304461264	- - C	Grille, exhaust louver, white
18	5304461266	A B C	Base, transformer, right side
19	5304451942	A - -	Panel, front trim, black, LS
19	5304448841	- B -	Panel, front trim, stainless, LS
19	5304441857	- - C	Panel, front trim, white, LS
20	5304441858	A B -	Cabinet, outer casing, black
20	5304441860	- - C	Cabinet, outer casing, white
21	5304441905	A B C	Wiring Diagram, schematic
22	5303319573	A B -	Lens/Frame Assy, lamp
22	5304458209	- - C	Lens/Frame Assy, lamp, white
23	5304451815	A B -	Cover, unit base, black
23	5304451816	- - C	Cover, unit base, white
32	5304440284	A B C	Support Assy, turntable
33	5304441872	A B C	Tray, turntable, glass
34	5304441873	A B C	Retainer, capacitor strap
35	5304441874	A B C	Duct, magnetron
36	5304453725	A B C	Screw, 3mm x 8mm
38	5304440288	A B C	Bushing, motor shaft, turntable
39	5304440289	A B C	Latch Hook
40	5304461267	A B C	Bracket, mounting plate, rear
41 #	5304440843	A B C	Fan Blade, cooling fan
42	5303319605	A B C	Bushing, grommet, power cord
43	5303319636	A B C	Screw
44	5304441876	A B C	Duct, hood intake, right side
45	5304440845	A B C	Cover, waveguide
46	5303319641	A B C	Screw
47	5304463149	A B C	Support, chassis
48	5304441878	A B C	Duct, hood intake, right side
49	5304441879	A B C	Duct, exhaust hood, left side
50	5304461586	A B C	Duct, cooling fan
51	5304441881	A B C	Ring, fan orifice
76	5304441900	A B C	Label, Caution-DHHS

OVEN, CABINET



CFMV156D_D-CAB

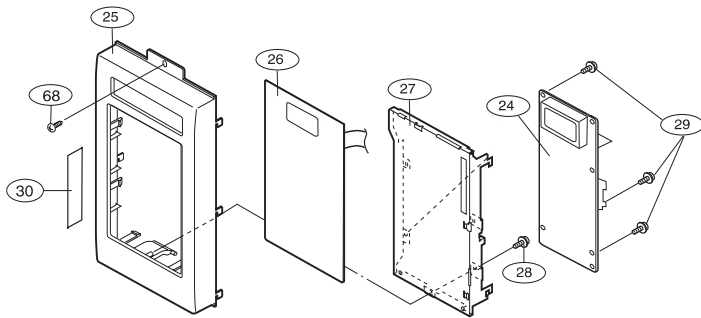
OVEN,CABINET

Model Index: A CFMV156D (CFMV156DBE)
 B CFMV156D (CFMV156DCF)
 C CFMV156D (CFMV156DSE)

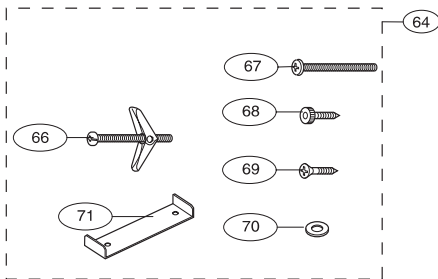
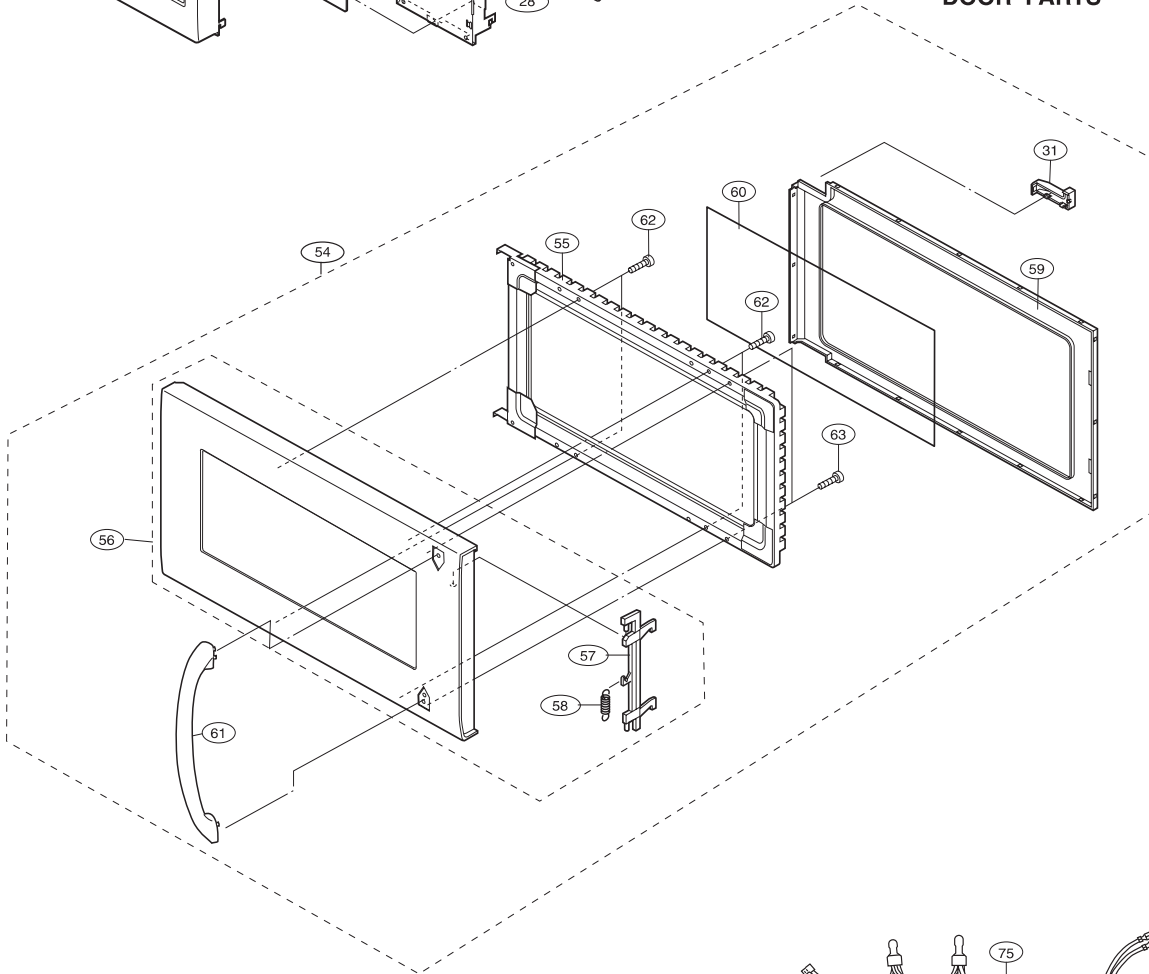
POS. NO	PART NO.		DESCRIPTION
77	5304440334	A B C	Label, Caution-monitor
78	5304440333	A B C	Label, Caution-DHHS
79	5304456425	A B C	Filter, inside exhaust, charcoal
80	5303319568	A B C	Filter, grease, (2)
81	5304440283	A B C	Damper Assy, exhaust
82	5304451533	A B C	Label, NHW caution
83	5303319640	A B -	Screw, black
83	5303319663	- - C	Screw, white
84	5304451553	A B C	Screw, 4 mm x 12 mm
85	5304450253	A B C	Screw, 4 mm x 8 mm

CONTROL PANEL, DOOR, MISC.

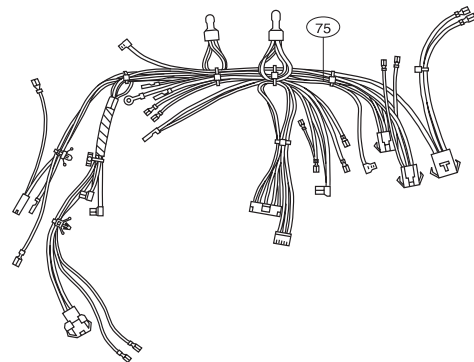
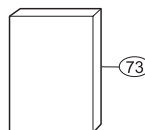
CONTROL PANEL PARTS



DOOR PARTS



MISCELLANEOUS



CFMV156D_E Controls

CONTROL PANEL,DOOR,MISC.

Model Index: A CFMV156D (CFMV156DBE)
 B CFMV156D (CFMV156DCF)
 C CFMV156D (CFMV156DSE)

POS. NO	PART NO.		DESCRIPTION
24 #	5304441863	A B C	Control Board, printed circuit
25	5304450254	A - -	Frame, control panel, black
25	53044448513	- B -	Frame, control panel, stainless steel
25	5304441867	- - C	Frame, control panel, white
26 #	5304441868	A B -	Switch, touch pad, black
26 #	5304441870	- - C	Switch, touch pad, white
27	5304440281	A B C	Panel, control mount
28	5304458568	A B C	Screw, 3 mm x 10 mm
29	5304456930	A B C	Screw, 3 mm x 10 mm
30	5304440346	A B C	Label, User Caution
31	5304441871	A B C	Door Stop
54	5304455603	A - -	Door Assy, black, w/handle
54	5304447862	- B -	Door Assy, stainless, w/handle
54	5304461268	- - C	Door Assy, white, w/handle
55	5304441887	A B -	Panel, inner door, black
55	5304441889	- - C	Panel, inner door, white
56	5304461334	A - -	Frame Assembly, door, black, w/glass & latch
56	5304453721	- B -	Frame Assembly, door, stainless, w/glass & latch
56	5304461270	- - C	Frame Assembly, door, white, w/glass & latch
57	5304440314	A B C	Latch, door
58	5304440316	A B C	Spring, door latch
59	5304441894	A B C	Frame, choke cover, inner door
60	5304440860	A B C	Seal, door, film
61	5304440323	A B -	Handle, door, black
61	5304440324	- - C	Handle, door, white
62	5304451561	A B C	Screw, 4 mm x 8 mm
63	5304440326	A B C	Screw, 4mm x 12mm
64	5304461272	A B C	Hardware, installation, kit
66	5303318762	A B C	Screw, toggle
67	5304453895	A B C	Screw, 5mm x 85mm
68	5304451553	A B C	Screw, 4 mm x 12 mm
69	5304453723	A B C	Screw, 5mm x 35mm
70	5304453724	A B C	Washer
71	5304441896	A B C	Bracket, scale plate
73	5304458571	A B C	Template, installation, top/wall
75 #	5304441907	A B C	Wiring Harness, main

WIRING SCHEMATIC

SCHMATIC
 NOTE: CONDITION OF OVEN
 1. DOOR CLOSED.
 2. CLOCK APPEARS ON DISPLAY.

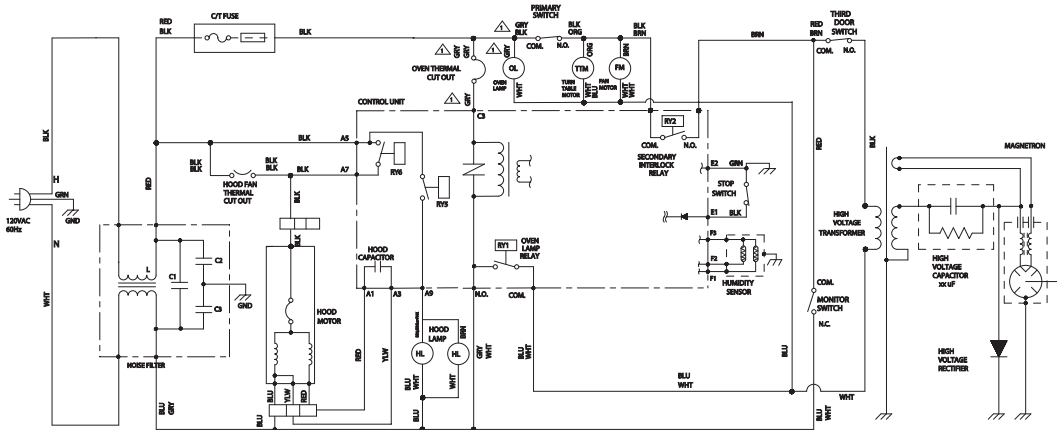


Figure O-1. Oven Schematic-Off Condition

SCHMATIC
 NOTE: CONDITION OF OVEN
 1. DOOR CLOSED.
 2. COOKING TIME PROGRAMMED.
 3. VARIABLE COOKING CONTROL "HIGH".

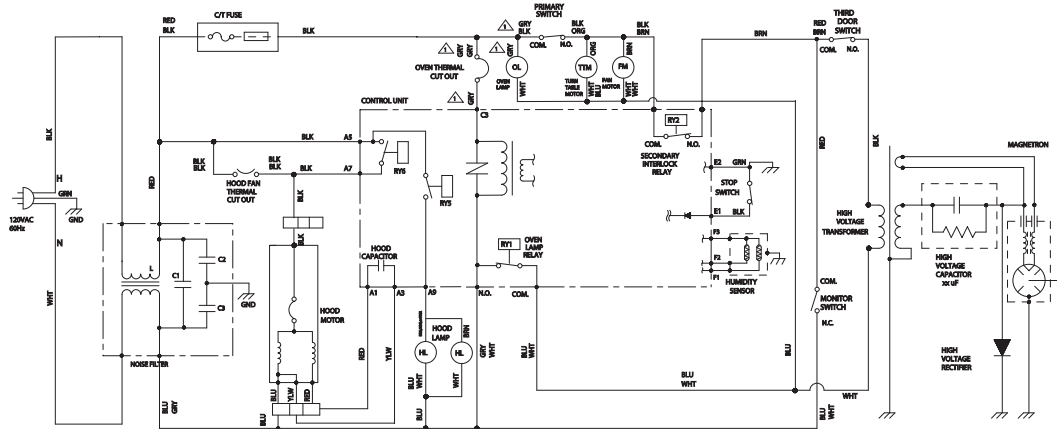


Figure O-2. Oven Schematic-Cooking Condition

CFMV156D_C Wiring