



# Water Filtration System

**Owner's Manual and Installation**

**La section française commence à la page 13**

**La sección en español empieza en la página 25**

GN1S04C  
GX1S04C  
GX1S15C

**Safety Information** .....2

**Operating Instructions** .....3

Using the System .....3

Specification Guidelines .....3

**Installation Instructions** ... 4-9

Important Recommendations .....4

Tools/Materials Required .....4

Feed Water Supply .....5

Step-by-Step Instructions .....6-7

Faucet Installation .....6

Wall Mounting .....7

Tubing Connections .....7

Filter Cartridge Installation or Replacement .....8

Flush Procedure .....9

**Troubleshooting Tips**

Before You Call For Service .....10

**Customer Service**

Parts List/Catalog .....11

Service Telephone Numbers .....12

Warranty .....12



GN1S04C/GX1S04C is Tested and Certified by NSF International against ANSI/NSF Standard 42 for the reduction of Particulate Class I, Chlorine Class I, and Taste/Odor.

GX1S15C is Tested and Certified by NSF International against ANSI/NSF Standard 42 for the reduction of Particulate Class I, Chlorine Class I, and Taste/Odor and Standard 53 for the reduction of Lead, Cyst, Turbidity, Asbestos, and Lindane.



## IMPORTANT!

Fill out and return the Consumer Product Registration Card that is packed with this product.

**Write the model and serial numbers here:**

# \_\_\_\_\_

# \_\_\_\_\_

You can find them on the sump bracket.

**Staple sales slip or cancelled check here.**

Proof of the original purchase date is needed to obtain service under the warranty.

## IF YOU NEED SERVICE

Inside you will find many helpful hints on how to use and maintain your water system properly. You'll find many answers to common problems in the *Before You Call For Service* section. If you review our chart of *Troubleshooting Tips* first, you may not need to call for service at all.

If you do need service, you can relax knowing help is only a phone call away. A list of toll-free customer service numbers is included in the back section.

## IMPORTANT SAFETY INFORMATION. READ ALL INSTRUCTIONS BEFORE USING.

**▲ WARNING!** *For your safety, the information in this manual must be followed to minimize the risk of property damage or personal injury.*

## SAFETY PRECAUTIONS

- Check with your local public works department for plumbing codes. You must follow these guidelines as you install the Water Filtration system.
- Use the Water Filtration system on a potable, safe-to-drink, home *COLD* water supply only. The filter cartridges will not purify the water, or make it safe to drink.
- **Do not** use on a hot water supply (100°F. max.).

**▲ WARNING:** Do not use with water that is microbiologically unsafe or of unknown quality without adequate disinfection before or after the system. Systems certified for cyst reduction may be used on disinfected water that may contain filterable cysts.

## PROPER INSTALLATION

*This Water Filtration system must be properly installed and located in accordance with the Installation Instructions before it is used.*

- Install or store where it will not be exposed to temperatures below freezing or exposed to any type of weather. Water freezing in the system will damage it. Do not attempt to treat water over 100°F.

- Your Water Filtration system will withstand up to 125 pounds per square inch (psi) water pressure. If your house water supply pressure is higher than 100 psi, install a pressure reducing valve before installing the Water Filtration system.

**▲ WARNING:** Discard all unused and packaging material after installation. Small parts remaining after installation could be a choke hazard.

*Read and follow this Safety Information carefully.*

## SAVE THESE INSTRUCTIONS

# About the water filtration system.

## Using the Water Filtration System and About the Filter Cartridge

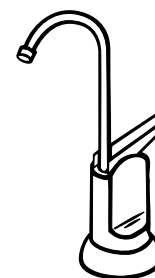
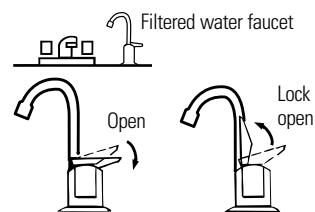
The countertop faucet dispenses filtered drinking water when opened. It has a hand-operated, spring-loaded closed lever to prevent waste. You can keep the faucet open by pushing upward on the lever to lock it against the faucet spout.

**Filter Cartridge Life**—Several variables determine how long the cartridges will last in your Water Filtration system. These include:

- 1 How much water you use.
- 2 How much sediment, taste and/or odor, lead, or other unwanted substance, is in the water.

No matter which Water Filtration system you have, you should replace the cartridges every six months. In extremely poor water supplies, you may notice the return of the unwanted substance in your water before the six months are up. In this case the cartridges should be replaced immediately. If the system is also for lead or chemical contaminant removal, it is **MORE IMPORTANT** to replace the cartridges at least every six months.

**NOTE:** If the water supply contains high amounts of sediments, the carbon filters may plug prematurely, reducing filtered water flow to the system faucet. *Cartridge replacement is needed to restore flow.*



## Specification guidelines.

Many bad tastes and/or odors are removed from water using activated carbon filter cartridges. They are most often used to remove a chlorine taste and odor. They can also reduce other undesirable elements from drinking water supplies, such as organic chemical contaminants and lead.

**NOTE:** Small amounts of hydrogen sulfide (noticeable as “rotten egg” odor) may be reduced by taste and odor filters for a short time, but the carbon media is quickly exhausted. Other water conditioning equipment is usually required for the continuous treatment of hydrogen sulfide.

### The Water Filtration system uses the following filter cartridges:

#### I. FXUTC—Taste & Odor Cartridge (3000-Gallon Capacity)

White with magenta end caps

- Reduces dirt, rust and sediment
- Reduces unpleasant tastes and odors
- Reduces chlorine
- 1-micron nominal particulate reduction

#### II. FXULC—Lead/Cyst Cartridge (1250-Gallon Capacity)

White with yellow end caps

- Reduces dirt, rust and sediment
- Reduces unpleasant tastes and odors
- Reduces Chlorine
- Reduces Lead
- Reduces Asbestos
- Reduces filterable cysts (such as cryptosporidium and giardia)
- Reduces Lindane (a pesticide)
- 0.5 micron nominal particulate reduction

Minimum - Maximum Supply Water Pressure—40–125 pounds per square inch (psi)

Minimum - Maximum Supply Water Temperature—40–100°F.

Inlet - Outlet—3/8" NPT

Rated Service Flow: 1.0 gpm (GN1S04C & GX1S04C)

0.6 gpm (GX1S15C)

Depending on the treatment needed for a specific water supply, the water filtration system can be customized using any combination of the preceding filter cartridge sets.

# Installation Instructions.

## Important Installation Recommendations

Read entire manual. Failure to follow all guides and rules could cause personal injury or property damage.

- **Check with your local public works department for plumbing codes. You must follow their guides as you install the Water Filtration system.**
- **Use the Water Filtration system on a potable, safe-to-drink, home COLD water supply only. The filter cartridges will not purify water or make unsafe water safe to drink. DO NOT use on HOT water (100° F. max.).**
- **Protect the Water Filtration system and piping from freezing. Water freezing in the system will damage it.**
- **Your Water Filtration system will withstand up to 125 psi water pressure. If your house water supply pressure is higher than 100 psi during the day (it may reach higher levels at night), install a pressure reducing valve before the system.**

**⚠ WARNING:** Do not use with water that is microbiologically unsafe or of unknown quality without adequate disinfection before or after the system. GX1S15C is certified for cyst reduction and may be used on disinfected water that may contain filterable cysts. The water should be tested periodically to verify that the system is performing satisfactorily. Small parts remaining after the installation could be a choke hazard. Discard safely.

## Tools and Materials Required for Installation

- Slotted and Phillips screwdrivers
- Pliers and adjustable jaw wrench
- Hand or battery powered drill and 1/4" bit (saddle valve installation)
- Electric drill and drill bit to drill 3/4" hole (type as required) if mounting hole is needed for faucet

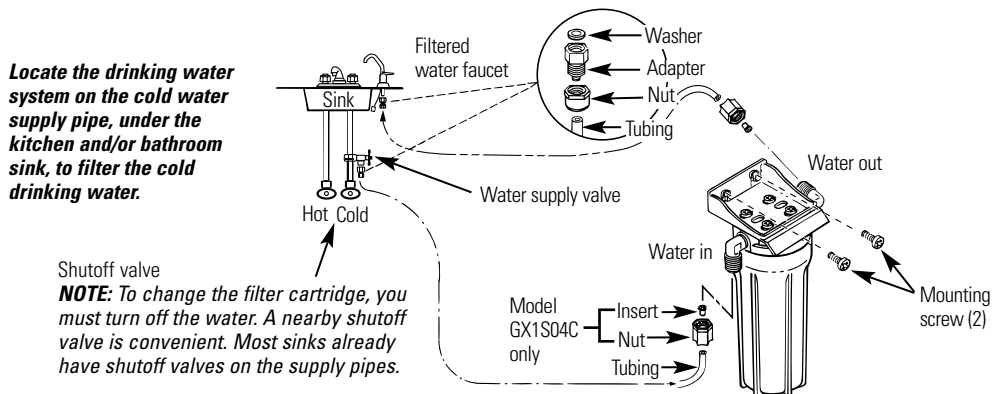
**Be sure to use the proper procedure for drilling porcelain or stainless steel. Special drill bits may be needed.**

**⚠ CAUTION:** To avoid damaging the sink, consult a qualified plumber or installer for drilling procedures. Special drill bits may be needed for porcelain or stainless steel.

### Contents included with the product:

- Water filter assembly, including mounting bracket and screws
- Product Literature (Owner's Manual and Installation, Product Data Sheet, Owner Product Registration Card)
- Water supply/saddle valve
- Filtered water faucet, for sink or countertop mounting
- 3/8" tubing and fittings to make all needed connections
- Sump wrench

## Installation Overview

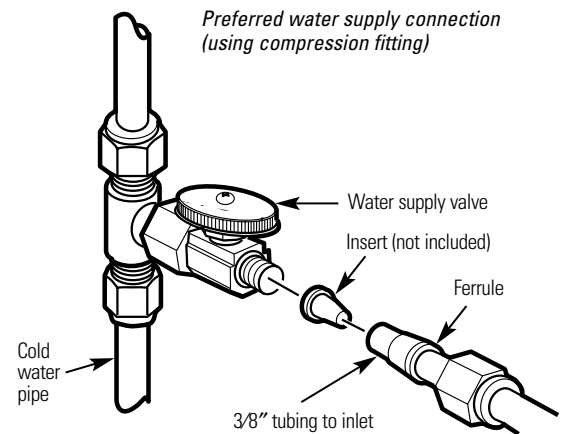
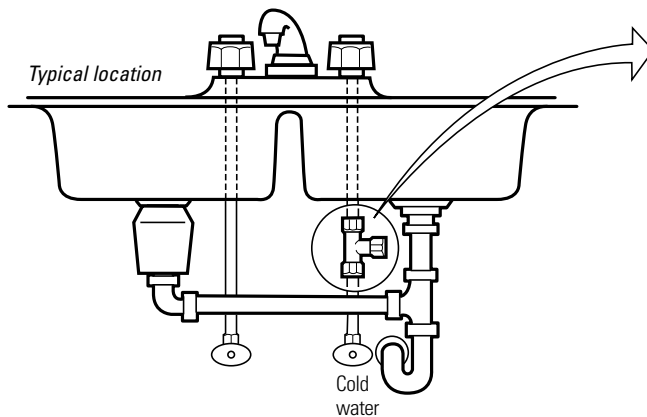


## Feed Water Supply

**Check and comply with local plumbing codes** as you plan, then install a cold feed water supply fitting. For new home installation using standard plumbing fittings, see first two illustrations below. A typical installation for existing homes using the saddle valve is shown in third illustration below.

### A. PREFERRED INSTALLATION

- 1 Turn off the cold water supply.
- 2 Complying with plumbing codes, install a fitting on the cold water pipe to adapt 3/8" OD tubing. A typical connection is shown in illustrations at right (parts not included). Make sure a water supply valve is used.



### B. OPTIONAL HOME INSTALLATION Where codes permit

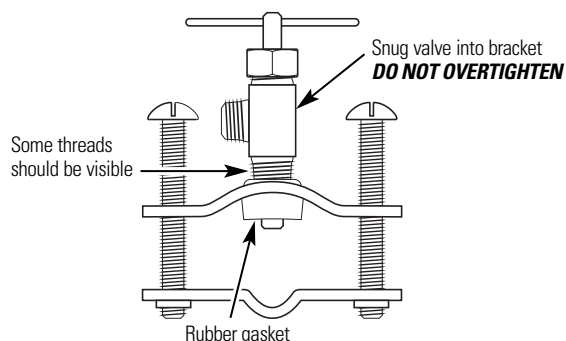
**\*For 1/2" OD or larger metal tubing only.**

**NOTE: Codes in the state of Massachusetts require installation by a licensed plumber and do not permit the use of the saddle valve. For installation, use plumbing code 248-CMR of the Commonwealth of Massachusetts.**

- 1 Turn off the cold water supply and attach saddle valve as shown in illustration at right.

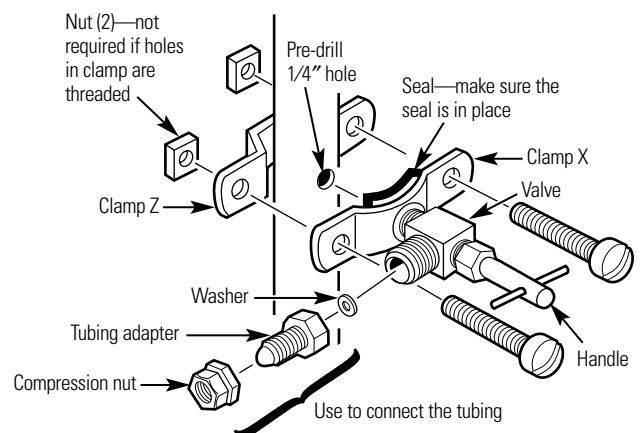
**⚠ DANGER: To protect yourself from serious injury or fatal shock, use a battery-powered hand drill only to make the hole. DO NOT USE AN ELECTRIC DRILL.**

- 2 Close the water supply valve by turning the handle clockwise.
- 3 Open the main water supply valve and several house faucets to purge air from the system. Close faucets when water runs smoothly.



*Optional water supply connection (using saddle valve)\**

**\*For 1/2" OD or larger metal tubing only.**



# Step-by-step installation instructions.

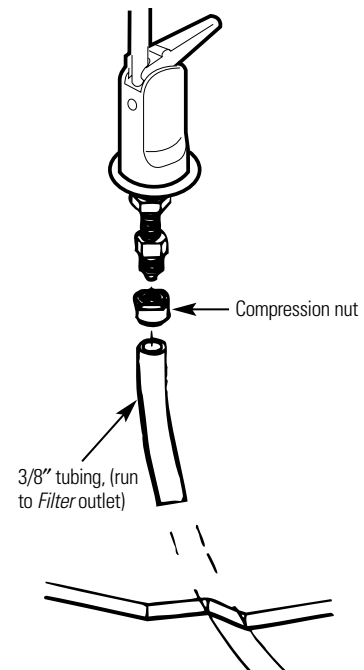
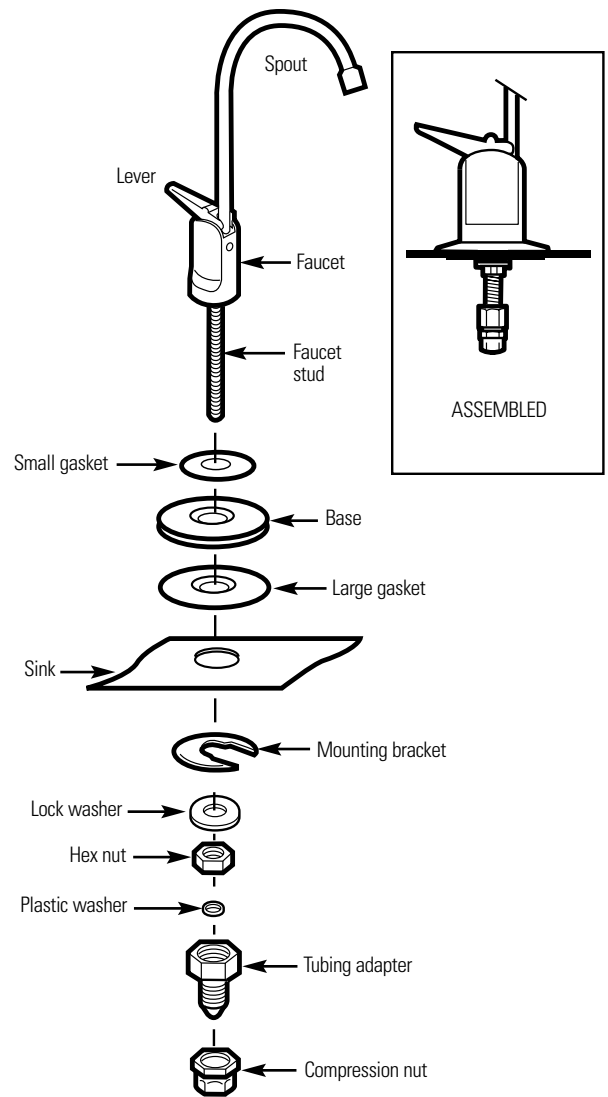
## Faucet Installation

Be sure there is room underneath the sink to make the needed connections. Select one of the following places to install the faucet:

- IN an existing sink spray attachment or soap dispenser hole.
- IN a hole to be drilled in the sink top.
- IN a hole to be drilled in the countertop, next to the sink.

**NOTE:** Looking at second illustration at right, be sure the faucet base will fit flat against the surface at the selected location so the gasket will seal.

- 1 If drilling is needed, make a 3/4" dia. hole. **Be sure to use the proper procedure for drilling porcelain or stainless steel. Special drill bits may be needed.**
- 2 Place small gasket, base and large gasket (in that order) onto the faucet stem. Next, place lock washer and hex nut onto faucet stud.
- 3 Insert washer into tubing adapter. Securely tighten to faucet stud.
- 4 Feed the length of 3/8" OD tube from the bottom, up through the mounting hole. Connect to the tubing adapter as shown in second illustration, tightening the compression nut securely.
- 5 Remove the short shipping tube and insert the spout into the faucet body. Rotate spout into place.
- 6 Lower the faucet assembly into place on the underside of the mounting hole. Place the mounting bracket above the lock washer. While holding the mounting bracket in place, securely tighten the hex nut.

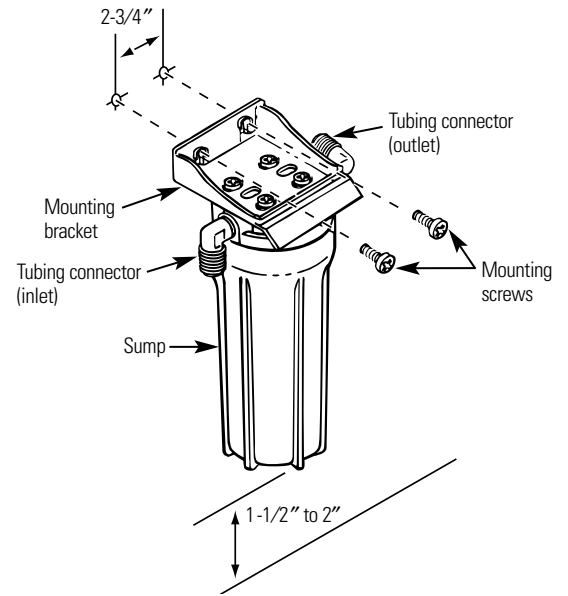


## Mounting Bracket to Cabinet Wall

The bracket can be used as a template for marking the location of the mounting screws. When determining the location of the bracket make sure you leave 1-1/2" to 2" of free area under the sumps to allow for sump removal and enough space on either side to make the tubing connections.

## Tubing Connections—Compression Style (Models GX1S04C and GN1S04C)

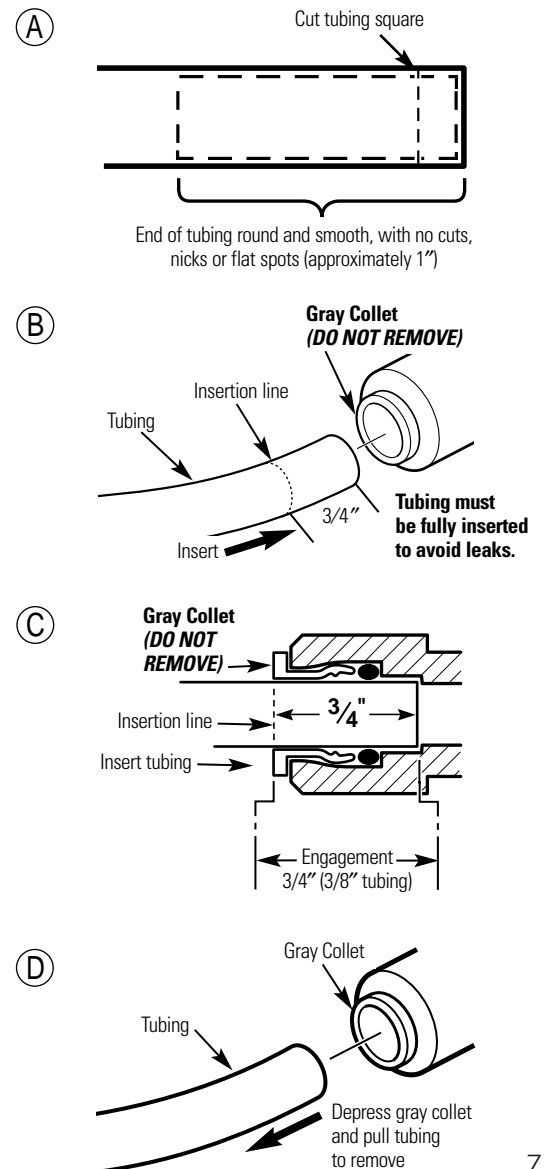
- 1 Run the length of 3/8" tubing, connected to the bottom of faucet, to the filter system outlet. Allow enough slack in the tubing so the unit can be easily removed for filter changes. Measure and cut the end of the tubing square.
- 2 Slide a compression nut onto the end of the tubing and push a tubing insert into the tubing.
- 3 Connect the tubing and tighten the compression nuts securely.
- 4 Repeat the preceding steps to connect a length of tubing between the filter system inlet and the water supply/saddle valve (illustration in the *Installation Overview* section).



## Tubing Connections—Push-In Style (Model GX1S15C)

- 1 Run the length of the 3/8" tubing, connected to the bottom of the faucet, to the filter system outlet (illustration above). Allow enough slack in the tubing so that the unit can be easily removed.
- 2 Measure and cut the end of the tubing square using a sharp cutter or knife. Remove any burrs (illustration A).
- 3 Inspect the end of the tubing, about 1 inch, to be sure there are no imperfections. It may be necessary to cut the tubing again.
- 4 Mark the tubing for length of insertion. For 3/8" OD tubing the insertion length should be approximately 3/4 of an inch. **Tubing must be fully inserted to avoid leaks.**
- 5 **DO NOT REMOVE GRAY COLLET.** Push the tubing all the way into the fitting until it bottoms out. The insertion line should be hidden or barely visible (illustration B and C). Slightly pull on the tubing to verify engagement.
- 6 Repeat the procedure to connect the tubing between the filter system inlet and the water supply/saddle valve (illustration in the *Installation Overview* section).
- 7 To remove tubing (illustration D), depress and hold gray collet. Pull tubing to remove.

**NOTE:** Avoid installing the unit where the tubing is pulled at a sharp angle. This type of installation may cause the fittings to leak. If using tubing other than what is supplied, be sure it is high quality, exact size and roundness, and has a smooth surface.





# About the water filtration system.

## Filter Cartridge Installation or Replacement

**⚠ CAUTION:** Never remove the sumps when water pressure is in the Water Filtration system.

1 **Close the water supply/saddle valve to the filter.** (See illustration in the *Installation Overview* section for location of the water supply valve.)  
Open the filtered water faucet.

2 Remove the sump, using the sump wrench tool\*, from the filter head by rotating the sump as shown. Be careful, the sump may be full of water. Be sure to keep the large o-ring seal.

3 If you are replacing a filter cartridge, remove and discard the used filter cartridge.

4 Be sure the inside of the sump is clean. Thoroughly wash the inside of the sump with hot, soapy water and rinse.

5 Remove the wrapper from the new filter cartridge and insert the filter cartridge in the sump. Some cartridges fit either way, while others fit only one way. Observe markings on the cartridge.

**NOTE:** The Water Filtration system uses two different types of filter cartridges. Be sure to install them correctly. See *Specification Guidelines* for a complete list of filter performance characteristics.

6 Lightly lubricate the o-ring seal in the sump with clean food grade silicone grease (silicone grease is available through GE Parts and Services: 1-800-626-2002 Part number: WS60X10005). Be sure it is fully seated in its groove.

7 Hold the sump up to the filter head, aligning the center hole in the cartridge with the protrusion on the bottom of the head. Failure to obtain proper alignment may cause damage to the filter and/or filtration system, which will degrade filter performance.

8 Being careful not to cross-thread, rotate the sump onto the filter head and tighten securely by hand.

**NOTE: If the sump will not tighten up to the head or if you feel resistance, you may have the cartridge in upside down or misaligned. Take the cartridge out and check for correct orientation or alignment and reassemble.**

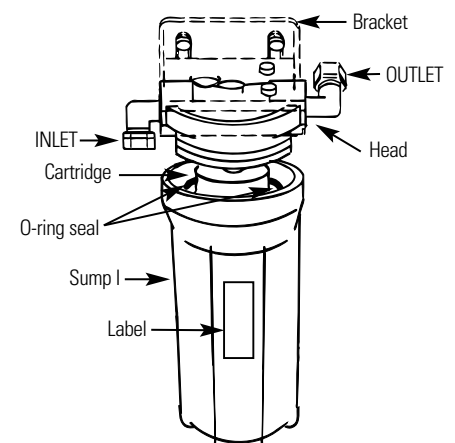
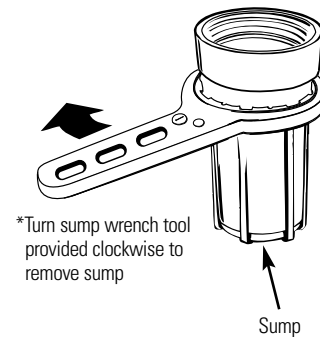
9 Turn on the filtered water faucet. Then, slowly open the water supply valve and allow the filter housing to fill.

10 Close the filtered water faucet. Then, check for leaks between the sump and the head.

**NOTE:** If leaking, turn off the water supply and turn on the filtered water faucet. Disassemble the filter housing and check the o-ring for cuts, flat spots, etc., and sealing surfaces for foreign material. Clean the o-ring and lightly lubricate with clean silicone grease. Carefully press into the groove in the sump. Reassemble and check for leaks.

11 The filter cartridges contain activated carbon. When new, turn on the filtered water faucet for five minutes to flush the system.

12 Place filter change label on sump, inside cabinet door, or in another convenient location. Write in date of filter change for future reference. Filters should be changed every six months.





---

## ***Flush Procedure***

Whenever water of unknown quality is passed through the GE Water Filtration system, filter elements should be discarded and the filtration system flushed.

### ***Circumstances that may require flushing the system are:***

- Boil-water advisory.
- Flooding of the GE Water Filtration system.
- Long-term non-use.

### ***The procedure for flushing the GE Water Filtration system is:***

- 1 See *Filter Cartridge Replacement* section and follow steps 1, 2, 3, and 4.
- 2 Next, reinstall the sumps (without the filter elements), turn water on, and flush water through the faucet for one minute.
- 3 Then, turn water off, remove sumps, empty water out of sumps and install new filter elements.
- 4 Follow steps 5-10 in the *Filter Cartridge Replacement* section to complete.

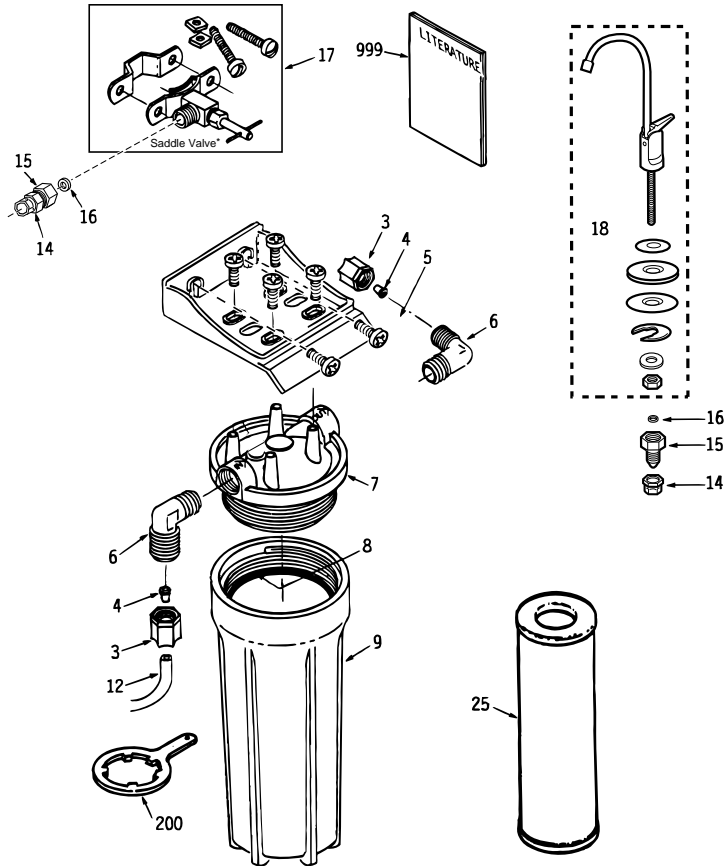
## Before you call for service...



*Troubleshooting Tips*  
*Save time and money! Review the chart below first and you may not need to call for service.*

<b>Problem</b>	<b>Possible Causes</b>	<b>What To Do</b>
<b>Water contains tiny black particles</b>	New filter cartridges contain activated carbon, which is a harmless black powder.	<ul style="list-style-type: none"> <li>• Turn on the filtered water faucet and allow these harmless carbon particles to purge from the cartridge. Turn off the faucet when the water is clear.</li> </ul>
<b>Water has air bubbles and is cloudy</b>	Air in system after installation.	<ul style="list-style-type: none"> <li>• Will go away after water runs for a while.</li> </ul>
<b>Chlorine taste and/or odor in the product water</b>	The filter cartridge is no longer removing chlorine from the water supply.	<ul style="list-style-type: none"> <li>• Replace filter cartridge.</li> </ul>
<b>Water dispenses very slowly</b>	Filter may have an integral flow restrictor.	<ul style="list-style-type: none"> <li>• A slower flow (approx. 0.6 g/min.) is normal with this style of filter. If flow rate is unacceptable replace the filter with one that does not have an integral flow restrictor.</li> </ul>
	The filter has been installed for too long.	<ul style="list-style-type: none"> <li>• A six-month change-out period is recommended. Replace filter cartridge.</li> </ul>
	The filter cartridge has become clogged.	<ul style="list-style-type: none"> <li>• High sediment levels can cause premature clogging. Replace filter cartridge.</li> </ul>
<b>Push-in fittings are leaking (GX1S15C)</b>	Tubing may not be installed properly.	<ul style="list-style-type: none"> <li>• Fully follow the installation instructions (page 7) and be sure the tubing is installed to the proper depth.</li> </ul>
	Tubing may be damaged.	<ul style="list-style-type: none"> <li>• Examine the end of tubing (approx. 1 inch) for defects such as scratches, grooves, roundness, etc. Trim tubing and fully reinstall.</li> </ul>

# Parts List.



**\*NOTE: Codes in the state of Massachusetts require installation by a licensed plumber and do not permit the use of the saddle valve. For installation, use plumbing code 248-CMR of the Commonwealth of Massachusetts.**

## General Electric parts catalog.

REF. NO.	PART NO.	PART DESCRIPTION	G	G	G
0001	WS02X10001	SCREW #10-14 X 3/4"	4	4	8
0002	WS28X10010	MOUNTING BRACKET	1	1	1
0003	WS22X10008	NUT 3/8" TUBE	2	-	-
0004	WS22X10007	INSERT 3/8" TUBE	-	2	-
0005	WS02X10003	SCREW #10-14 X 1-1/4"	2	2	2
0006	WS22X10002	ELBOW 3/8" NPT X 3/8" (compression)	2	-	-
0006	WS22X10032	ELBOW 3/8" NPT X 3/8" (push-in)	-	2	2
0007	WS19X10011	HEAD	1	1	1
0008	WS03X10001	O-RING 3-3/8" X 3-5/8"	1	1	1
0009	WS30X10002	SUMP	1	1	1
0012	WS07X10008	TUBING 3/8" X 20 FT-WH	1	1	1
0014	WS02X10004	NUT 3/8"	2	2	2
0015	WS03X10003	ADAPTER TUBING	2	2	2
0016	WS03X10002	WASHER	2	2	2
0017	WS15X10008	SADDLE VALVE /SUPPLY	1	1	1
0018	WS15X10022	FAUCET ASM. (nonmonitored)	1	1	-
0025	FXUTC	FILTER SET-TASTE & ODOR	1	-	-
	FXULC	FILTER SET-LEAD/CYST	-	1	-
0200	WX5X140	WRENCH SUMP	1	1	-
0999	49-50040	PM MANUAL USE & CARE/ INSTALLATION	1	1	1

## Service Telephone Numbers.

---



### GE Answer Center® 800.626.2000

The GE Answer Center® is open 24 hours a day, 7 days a week.

---



### In-Home Repair Service 800-GE-CARES (800-432-2737)

Expert GE repair service is only a phone call away.

---



### Special Needs Service 800.626.2000

#### 800-TDD-GEAC (800-833-4322)

GE offers, free of charge, a brochure to assist in planning a barrier-free kitchen for persons with limited mobility.

---



### Service Contracts 800-626-2224

Purchase a GE service contract while your warranty is still in effect and you'll receive a substantial discount. GE Consumer Service will still be there after your warranty expires.

---



### Parts and Accessories 800-626-2002

Individuals qualified to service their own appliances can have parts or accessories sent directly to their homes (VISA, MasterCard and Discover cards are accepted).

**Instructions contained in this manual cover procedures to be performed by any user. Other servicing generally should be referred to qualified service personnel. Caution must be exercised, since improper servicing may cause unsafe operation.**

---



### Service Satisfaction

If you are not satisfied with the service you receive from GE:

**First**, contact the people who serviced your appliance.

**Next**, if you are still not pleased, write all the details—including your phone number—to:

Manager, Consumer Relations, GE Appliances, Appliance Park, Louisville, KY 40225

---

## GE Water Filtration System Warranty.

---



All warranty service provided by our SmartWater™ Authorized Servicer Network.

For service, call 800-GE-CARES.

---

### For The Period Of: GE Will Replace:

---

#### One Year

From the date of the original purchase

**Any part** of the Water Filtration system (excluding filters) which fails due to a defect in materials or workmanship.

During this **limited one-year warranty**, GE will also provide, **free of charge**, all labor (does not include service trip to home) to replace the defective part.

---

### What GE Will Not Cover:

---

- Service trips to your home to teach you how to use the product.
  - Improper installation.
  - Failure of the product if it is abused, misused, or used for other than the intended purpose or used commercially.
  - Use of this product where water is microbiologically unsafe or of unknown quality, without adequate disinfection before or after the system. Systems certified for cyst reduction may be used on disinfected water that may contain filterable cysts.
  - Filter cartridges.
  - Replacement of house fuses or resetting of circuit breakers.
  - Damage to the product caused by accident, fire, floods or acts of God.
  - Incidental or consequential damage to personal property caused by possible defects with this appliance.
- 

*This warranty is extended to the original purchaser and any succeeding owner for products purchased for home use within the USA. In Alaska, the warranty excludes the cost of shipping or service calls to your home.*

*Some states do not allow the exclusion or limitation of incidental or consequential damages. This warranty gives you specific legal rights, and you may also have other rights which vary from state to state. To know what your legal rights are, consult your local or state consumer affairs office or your state's Attorney General.*

<b>Information de sécurité</b> .....	14
<b>Instructions d'utilisation</b> .....	15
Utilisation du système .....	15
Spécifications .....	15
<b>Instructions d'installation</b> .....	16–21
Recommandations importantes .....	16
Outillage/matériel nécessaire .....	16
Source d'alimentation du filtre .....	17
Étapes de l'installation .....	18–19
Installation du robinet .....	18
Montage mural .....	19
Raccordement des tubes .....	19
Cartouches de filtration–installation ou remplacement .....	20
Processus de rinçage .....	21
<b>Avant de contacter un dépanneur</b>	
Conseils pour le diagnostic .....	22
<b>Service-client</b>	
Liste des pièces/catalogue .....	23
Numéros de téléphone pour service après-vente .....	24
Garantie .....	24



Le produit GN1S04C/GX1S04C a été testé et homologué par NSF International, selon la norme ANSI/NSF n° 42 pour la réduction de la concentration de particules (classe I), la réduction de la concentration de chlore (classe I) et la suppression des goûts et odeurs.

Le produit GN1S15C a été testé et homologué par NSF International, selon la norme ANSI/NSF n° 42 pour la réduction de la concentration de particules (classe I), la réduction de la concentration de chlore (classe I) et la suppression des goûts et odeurs, et selon la norme n° 53 pour la réduction de la turbidité et des concentrations de plomb, spores, amiante, et Lindane.

## IMPORTANT!

Compléter et retourner la carte d'enregistrement du produit, qui accompagne ce produit.

**Inscrire ci-dessous le numéro de modèle et le numéro de série :**

N°

N°

On trouve ces numéros sur la bride du corps de filtre.

**Agrafer ici le bordereau de vente ou chèque encaissé.**

Une preuve de la date de l'achat initial sera nécessaire pour l'obtention des services sous garantie.

## SI UN DÉPANNAGE EST NÉCESSAIRE

On présente dans cette brochure de nombreux conseils sur l'utilisation et l'entretien adéquats du système de filtration d'eau. La section *Avant de contacter un dépanneur* présente des solutions à l'égard des problèmes communs. Consulter d'abord le tableau *Conseils pour le diagnostic* – cela pourra peut-être éviter de recourir à un dépanneur.

Si une réparation est nécessaire, il suffit d'un appel téléphonique pour l'obtenir. La liste des numéros d'appel sans frais est présentée en dernière page.

## INFORMATION DE SÉCURITÉ IMPORTANTE. LIRE LA TOTALITÉ DES INSTRUCTIONS AVANT D'UTILISER LE PRODUIT.

**▲ AVERTISSEMENT!** Observer toutes les instructions présentées dans ce manuel pour assurer la sécurité et minimiser les risques de dommages matériels ou corporels.

## MESURES DE SÉCURITÉ

- Consulter le service local des travaux publics au sujet des codes de plomberie. L'installation du système de filtration d'eau doit être conforme aux prescriptions du code de plomberie local.
- Utiliser le système de filtration d'eau uniquement sur une canalisation d'eau potable *FROIDE*. Les cartouches de filtration ne purifient pas l'eau et ne peuvent rendre potable une eau qui ne l'est pas.
- **Ne pas** utiliser ce produit sur une canalisation d'eau chaude (100°F maximum).

**▲ AVERTISSEMENT :** Ne pas utiliser ce produit avec de l'eau microbiologiquement polluée ou de qualité inconnue sans avoir installé un dispositif de désinfection approprié avant ou après le système. Les systèmes homologués pour la retenue des spores peuvent être utilisés pour la filtration d'une eau désinfectée qui peut contenir des spores filtrables.

## INSTALLATION

*Avant toute utilisation, on doit installer le système de filtration d'eau soit à un emplacement adéquat conformément aux instructions d'installation.*

- Installer ou remiser le produit à un emplacement qui n'est pas exposé au gel ou aux intempéries. Le gel de l'eau fera subir des détériorations au produit. Ne pas tenter de traiter une eau dont la température est supérieure à 100°F.
  - Le système de filtration d'eau peut résister à une pression maximale de 125 lb/po<sup>2</sup>. Si la pression de distribution locale est supérieure à 100 lb/po<sup>2</sup>, installer un robinet de réduction de pression en amont du système de filtration d'eau.
- ▲ AVERTISSEMENT :** Éliminer après l'installation tous les matériaux d'emballage et matériaux non utilisés; les petites pièces qui ne sont pas utilisées pourraient susciter un danger d'étouffement pour un enfant.

*Lire attentivement et respecter ces prescriptions de sécurité.*

## CONSERVER CES INSTRUCTIONS

# Description sommaire du système de filtration d'eau.

## Utilisation du système de filtration, et description des cartouches de filtration

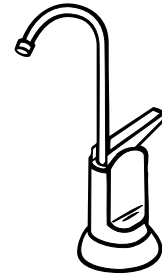
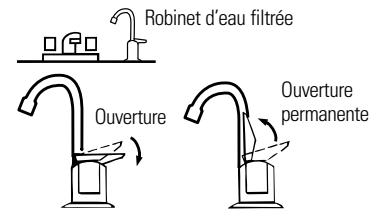
Le robinet installé sur le plan de travail d'une cuisine permet de puiser de l'eau de consommation filtrée. Il comporte une manette à manoeuvre manuelle chargée par ressort, qui permet la fermeture automatique. Pour maintenir le robinet ouvert, pousser la manette vers le haut pour la mettre en appui contre le col de cygne.

**Longévité de la cartouche de filtration**—La longévité en service de la cartouche de filtration dépend de divers paramètres, comme les suivants :

- 1 **Volume de consommation d'eau.**
- 2 **Quantité dans l'eau de sédiments, composés responsables de goûts et/ou odeurs, plomb et autres substances indésirables.**

Quel que soit le système de filtration utilisé, on doit remplacer les cartouches de filtration à intervalles de six mois. Si l'eau traitée est de très médiocre qualité, on peut observer la réapparition de substances indésirables dans l'eau avant l'expiration d'une période de six mois. Dans ce cas on doit immédiatement remplacer les cartouches de filtration. Si le système est utilisé également pour l'élimination du plomb et de contaminants chimiques, il est **PLUS IMPORTANT** de remplacer les cartouches à intervalles de six mois ou moins.

**NOTE :** Si l'eau traitée contient une quantité élevée de sédiments les filtres à charbon peuvent s'obstruer prématurément, ce qui réduit le débit d'eau filtrée au niveau du robinet de puisage. On doit remplacer la cartouche pour rétablir le débit usuel.



## Spécifications.

Des cartouches de filtration au charbon actif permettent d'éliminer de l'eau des composés responsables de goûts ou odeurs désagréables. On utilise fréquemment ces filtres pour éliminer les goûts et odeurs imputables au chlore. Les filtres permettent également de réduire la concentration d'autres éléments indésirables dans l'eau de consommation, comme composés organiques et plomb.

**NOTE :** Les filtres pour goûts et odeurs peuvent supprimer pendant quelque temps de petites quantités de sulfure d'hydrogène (responsable d'une odeur caractéristique d'oeufs pourris), mais le charbon actif s'épuise rapidement. Pour l'élimination en permanence du sulfure d'hydrogène, on doit utiliser un autre équipement de conditionnement de l'eau.

### Le système de filtration de l'eau utilise les cartouches de filtration suivantes :

**I. FXUTC—Cartouche pour goûts et odeurs**  
(capacité 3000 gallons)

Blanc, avec embouts violets

- Réduction de souillures, rouille et sédiments
- Réduction des goûts et odeurs désagréables
- Réduction du chlore
- Réduction des particules—1 micron (nominal)

**II. FXULC—Cartouche pour plomb et spores**  
(capacité 1250 gallons)

Blanc, avec embouts jaunes

- Réduction de souillures, rouille et sédiments
- Réduction des goûts et odeurs désagréables
- Réduction du chlore
- Réduction du plomb
- Réduction de l'amiante
- Réduction des spores filtrables, comme cryptosporidium et giardia
- Réduction du Lindane (pesticide)
- Réduction des particules—0.5 micron (nominal)

Pression d'arrivée d'eau (mini – maxi)—40–125 livres par pouce carré

Température de l'eau traitée (mini – maxi)—40–100°F

Raccords entrée-sortie—3/8 po NPT

Débit nominal : 1 gallon par minute (GN1S04C et GX1S04C)

0,6 gallon par minute (GX1S15C)

On peut personnaliser un système de filtration d'eau au moyen de toute combinaison des cartouches de filtration mentionnées ci-dessus, selon le traitement nécessaire pour une eau particulière.



# Instructions d'installation.

## Recommandations importantes concernant l'installation

Lire la totalité du manuel. Le non-respect de certaines instructions ou règles pourrait susciter des dommages matériels ou corporels.

- **Consulter le service local des travaux publics au sujet des codes de plomberie. L'installation du système de filtration d'eau doit être conforme aux prescriptions du code de plomberie local.**
- **Utiliser le système de filtration d'eau uniquement sur une canalisation d'eau potable FROIDE. Les cartouches de filtration ne purifient pas l'eau et ne peuvent rendre potable une eau qui ne l'est pas. NE PAS utiliser ce produit sur une canalisation d'eau CHAUDE (100°F maximum).**
- **Protéger le système de filtration d'eau et la tuyauterie contre le gel. La congélation d'eau dans le système lui fera subir des dommages.**
- **Le système de filtration d'eau peut résister à une pression maximale de 125 lb/po<sup>2</sup>. Si la pression de distribution locale est supérieure à 100 lb/po<sup>2</sup> durant la journée (elle peut atteindre un niveau plus élevé la nuit), installer un robinet de réduction de pression en amont du système de filtration d'eau.**

**AVERTISSEMENT :** Ne pas utiliser ce produit avec de l'eau microbiologiquement polluée ou de qualité inconnue sans avoir installé un dispositif de désinfection approprié avant ou après le système. Le système de filtration GX1S15C est homologué pour la rétention des spores; on peut l'utiliser pour la désinfection d'une eau qui peut contenir des spores filtrables. Tester périodiquement l'eau filtrée pour vérifier que la performance du système demeure satisfaisante. Éliminer en sécurité les petites pièces qui peuvent rester inutilisées après l'installation; elles peuvent susciter un danger d'étouffement pour les jeunes enfants.

## Outillage et matériel nécessaires pour l'installation

- Tournevis Phillips et à lame plate
- Pince et clé à molette
- Perceuse électrique ou à piles, et foret de 1/4 po (pour l'installation du robinet de prise en charge)
- Perceuse électrique et foret pour trou de 3/4 po (type approprié), si un trou de montage est nécessaire pour l'installation du robinet.

**Veiller à employer la méthode convenable pour le perçage dans l'acier inoxydable ou un matériau émaillé; l'emploi d'un foret spécial peut être nécessaire.**

**MISE EN GARDE :** Pour éviter d'endommager l'évier, consulter un installateur ou plombier qualifié au sujet de la méthode de perçage; l'emploi d'un foret spécial peut être nécessaire pour le perçage sur acier inoxydable ou matériau émaillé.

## Articles fournis avec le produit :

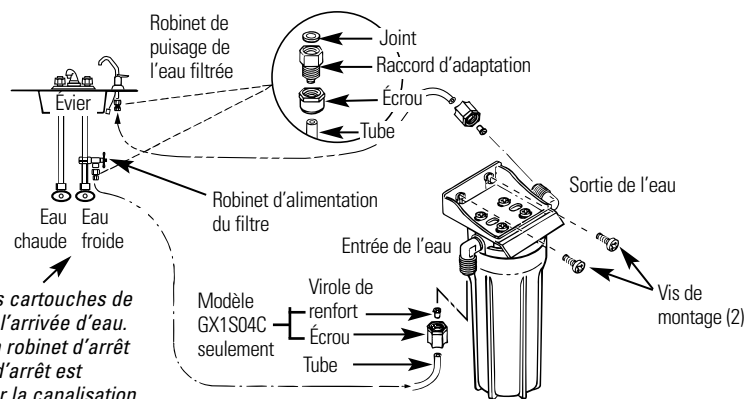
- Système de filtration d'eau, avec bride de montage et vis
- Brochures descriptives du produit (manuel de l'utilisateur, instructions d'installation, fiche technique du produit, carte d'enregistrement du produit)
- Robinet de prise en charge
- Robinet de puisage de l'eau filtrée—montage sur évier ou plan de travail
- Tube de 3/8 po et raccords, pour les raccordements
- Clé pour corps de filtre

## Illustration de l'installation

**Installer le système de filtration d'eau sur la canalisation d'eau froide, sous l'évier de cuisine et/ou salle de bains, pour filtrer l'eau de consommation froide.**

Robinet d'arrêt

**NOTE :** Pour changer les cartouches de filtration, on doit fermer l'arrivée d'eau. Il est pratique d'avoir un robinet d'arrêt à proximité. Un robinet d'arrêt est fréquemment installé sur la canalisation d'alimentation du robinet principal de l'évier.

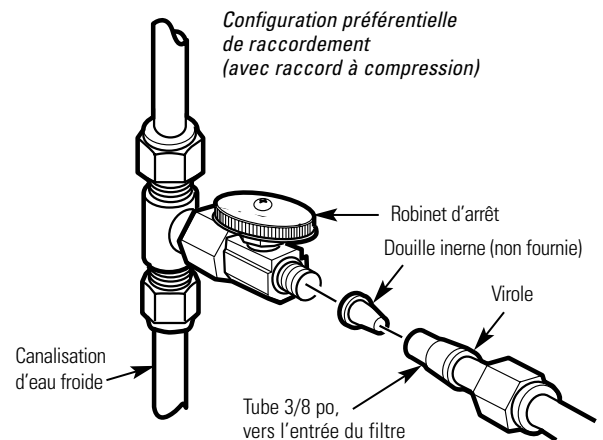
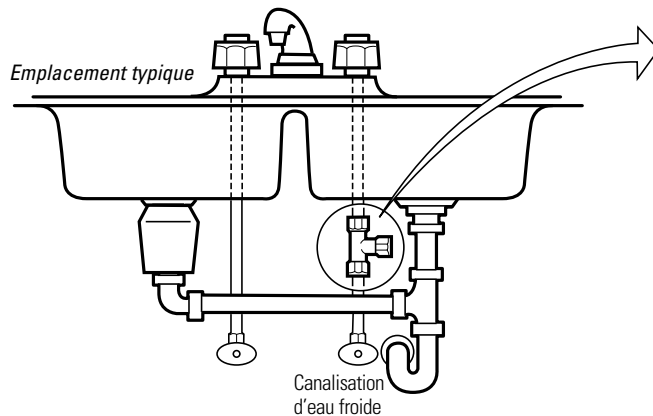


## Source d'alimentation du filtre

**Consulter et respecter le code de plomberie local** lors de la planification et de l'installation de la canalisation d'alimentation du filtre en eau froide. Pour l'installation dans une résidence neuve avec des raccords de plomberie standard, voir les deux premières illustrations ci-dessous. La troisième illustration ci-dessous décrit une installation typique dans une résidence existante, avec robinet de prise en charge.

### A. CONFIGURATION D'INSTALLATION PRÉFÉRENTIELLE

- 1 Fermer l'arrivée d'eau froide.
- 2 Respecter les prescriptions du code de plomberie; installer un raccord sur la canalisation d'eau froide pour le raccordement du tube de diamètre extérieur 3/8 po. Un raccordement typique est illustré à droite (pièces non fournies). Ne pas oublier d'utiliser un robinet d'arrêt.



### B. AUTRE OPTION POUR INSTALLATION RÉSIDENTIELLE—

Lorsque le code local le permet

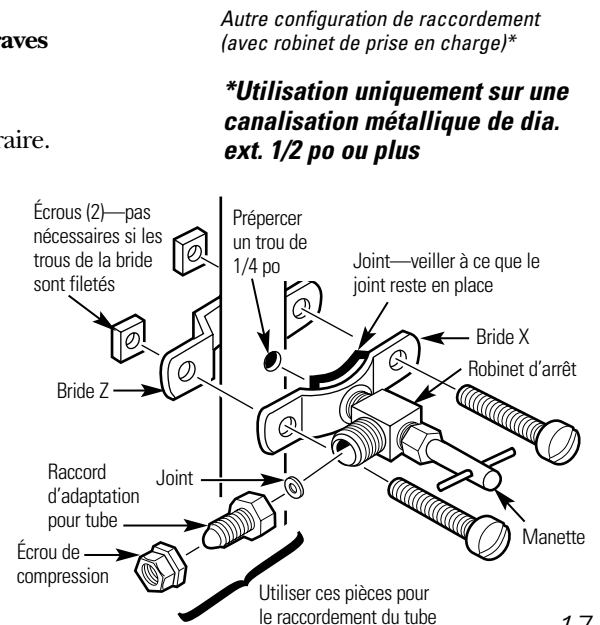
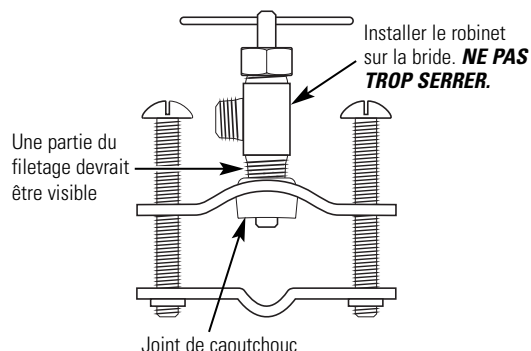
**\*Utilisation uniquement sur une canalisation métallique de dia. ext. 1/2 po ou plus**

**NOTE :** Dans l'État du Massachusetts, les codes en vigueur exigent que cet équipement soit installé par un plombier licencié, et que le raccordement à la canalisation d'alimentation ne soit pas effectué par un robinet de prise en charge. Avant l'installation, consulter le code de plomberie 248-CMR du Commonwealth of Massachusetts.

- 1 Fermer l'arrivée d'eau froide; installer le robinet de prise en charge selon les indications de l'illustration à droite.

**⚠ DANGER :** À titre de protection contre un choc électrique mortel ou de graves blessures, utiliser uniquement une perceuse à piles pour percer le trou.  
**NE PAS UTILISER UNE PERCEUSE ÉLECTRIQUE.**

- 2 Fermer le robinet de prise en charge—rotation de la manette dans le sens horaire.
- 3 Ouvrir le robinet d'arrêt et plusieurs robinets dans la maison pour permettre l'évacuation de l'air du système. Fermer les robinets lorsque l'eau s'écoule sans turbulence.



# Étapes de l'installation.

## Installation du robinet

Vérifier qu'il y a suffisamment d'espace sous l'évier pour les raccordements. Choisir l'un des emplacements suivants pour l'installation du robinet.

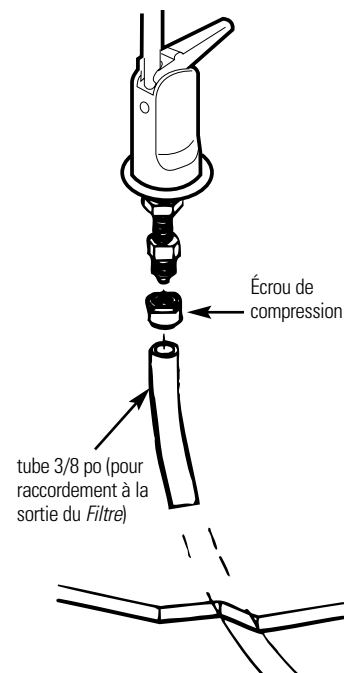
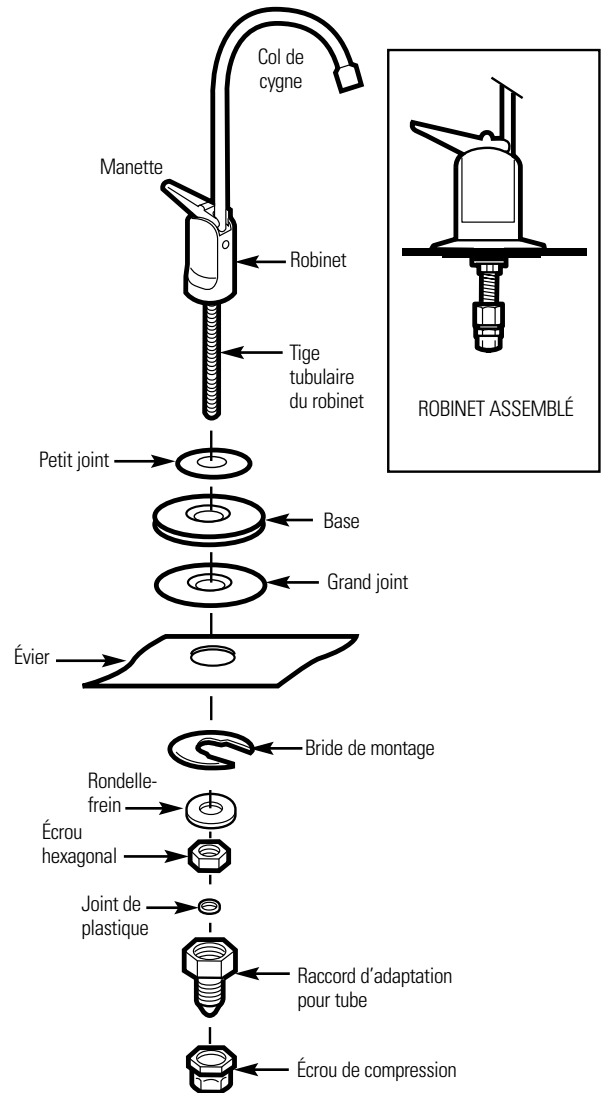
—Trou existant pour douchette d'évier ou distributeur de savon.

—Trou à percer dans le rebord de l'évier.

—Trou à percer dans le plan de travail, près de l'évier.

**NOTE :** Consulter la seconde illustration à droite; vérifier que la base du robinet d'arrêt reposera à plat contre la surface d'appui à l'emplacement choisi, pour que les joints assurent une bonne étanchéité.

- 1 Si une opération de perçage est nécessaire, percer un trou de 3/4 po. **Veiller à employer la méthode convenable pour le perçage dans l'acier inoxydable ou l'émail. Il peut être nécessaire d'utiliser un foret spécial.**
- 2 Enfiler les pièces suivantes sur la tige tubulaire du robinet, dans l'ordre indiqué : petit joint, base et grand joint. Placer ensuite la rondelle-frein et l'écrou hexagonal sur la tige tubulaire du robinet.
- 3 Insérer le joint dans le raccord d'adaptation du tube. Bien serrer sur la tige du robinet.
- 4 Par le dessous et à travers le trou de montage, faire passer la section de tube de dia. ext. 3/8 po. Installer l'adaptateur (voir la seconde illustration); bien serrer l'écrou de compression.
- 5 Enlever le tube d'emballage court; insérer le col de cygne dans le corps du robinet. Faire pivoter le col de cygne pour le mettre en place.
- 6 Mettre le robinet en place. Par le dessous du trou de montage, placer la bride de montage au-dessus de la rondelle-frein. Tout en immobilisant la bride de montage, bien serrer l'écrou hexagonal.

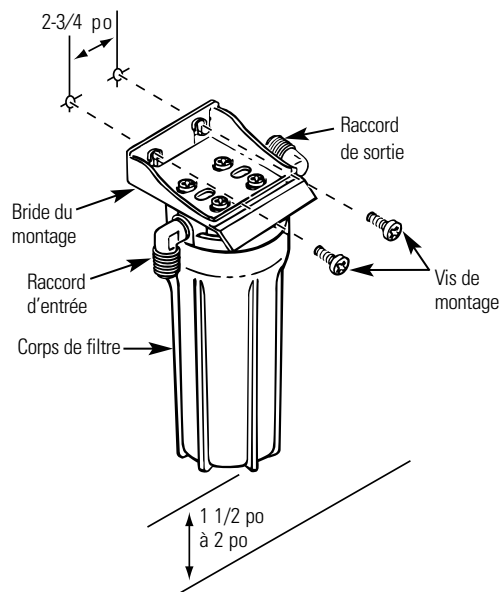


## Fixation de la bride de montage sur la paroi du placard

On peut utiliser la bride de montage comme un gabarit pour marquer l'emplacement des vis de fixation. Lors du choix de l'emplacement de fixation de la bride de montage, veiller à disposer d'un espace libre de 1 1/2 po à 2 po au-dessous des corps de filtre pour permettre leur démontage, et d'un espace suffisant sur les deux côtés pour le raccordement des tubes.

## Raccordement des tubes—raccord à compression (modèles GX1S04C et GN1S04C)

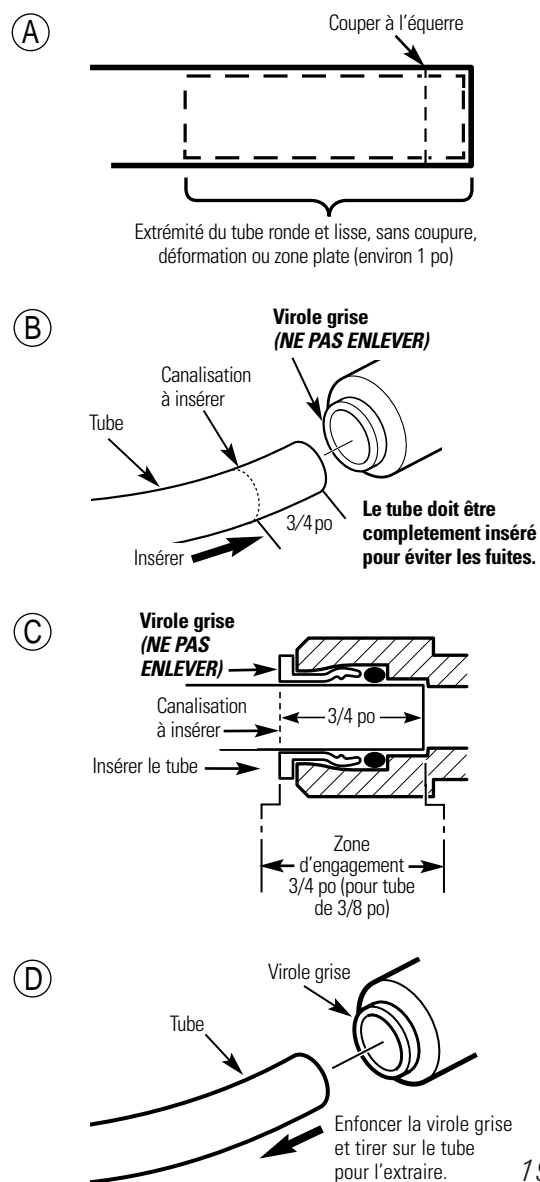
- 1 Installer une section de tube de 3/8 po entre le robinet et la sortie du système de filtration. Utiliser une section de tube suffisamment longue pour qu'il soit facile de démonter l'ensemble pour le changement des cartouches de filtration. Mesurer, et couper le tube à l'équerre.
- 2 Enfiler un écrou de compression sur l'extrémité du tube; insérer une virole de renfort dans le tube.
- 3 Connecter le tube; bien serrer les écrous de compression.
- 4 Répéter les étapes précédentes pour installer une section de tube entre l'entrée du système de filtration et le robinet de prise en charge ou le point d'arrivée d'eau (voir l'illustration à la section *Illustration de l'installation*).



## Raccordement des tubes par enfoncement (modèle GX1S15C)

- 1 Installer une section de tube de 3/8 po entre le robinet et la sortie du système de filtration (voir l'illustration ci-dessus). Utiliser une section de tube suffisamment longue pour qu'il soit facile de démonter l'ensemble.
- 2 Mesurer, et couper l'extrémité du tube à l'équerre avec un couteau acéré ou un autre instrument. Éliminer les bavures (illustration A).
- 3 Inspecter l'extrémité du tube; il faut que sur une distance de 1 po il n'y ait pas d'imperfection. Il peut être nécessaire de couper le tube de nouveau.
- 4 Marquer la limite d'insertion sur le tube. Pour un tube de diamètre externe 3/8 po, la distance d'insertion est d'environ 3/4 po. **Le tube doit être complètement inséré pour éviter les fuites.**
- 5 **NE PAS ENLEVER LA VIROLE GRISE.** Enfoncer complètement le tube dans le raccord, jusqu'à la position de butée. La limite d'insertion devrait être cachée ou à peine visible (illustration B et C). Tirer légèrement sur le tube pour vérifier l'engagement.
- 6 Répéter les étapes précédentes pour installer une section de tube entre l'entrée du système de filtration et le robinet de prise en charge ou le point d'arrivée d'eau (voir l'illustration à la section *Illustration de l'installation*).
- 7 Pour enlever le tube (illustration D), enfoncer et maintenir la virole grise. Tirer sur le tube pour l'extraire.

**NOTE :** Éviter une configuration d'installation dans laquelle le tube devrait former un angle. Ce type d'installation pourrait produire des fuites au niveau des raccords. Dans le cas de l'utilisation de tube flexible autre que celui qui est fourni, veiller à ce qu'il s'agisse d'un produit de grande qualité, à surface lisse, parfaitement rond et de même taille.



# Utilisation du système de filtration de l'eau.

## Cartouches de filtration—Installation ou remplacement

**▲ MISE EN GARDE :** Ne jamais enlever le corps de filtre lorsque le système de filtration est pressurisé.

- 1 **Fermer le robinet d'arrêt de la canalisation qui alimente le filtre.** (Pour l'emplacement de ce robinet, voir l'illustration à la section *Illustration de l'installation*). Ouvrir le robinet de puisage de l'eau filtrée.
- 2 Pour enlever le filtre, faire tourner le corps de filtre selon les indications de l'illustration, avec l'outil spécial\*. Travailler prudemment—le corps de filtre peut être plein d'eau. Veiller à conserver le grand joint torique.
- 3 Pour le remplacement de la cartouche de filtration, enlever et jeter la cartouche usée.
- 4 Vérifier la propreté de l'intérieur du corps de filtre. Laver parfaitement l'intérieur du corps de filtre avec de l'eau chaude savonneuse, puis rincer.
- 5 Retirer la cartouche de filtration neuve de son emballage; insérer la cartouche dans le corps de filtre. Il peut être nécessaire de respecter une orientation particulière; ceci est alors indiqué par des marques apposées sur la cartouche.

**NOTE :** Diverses cartouches de filtration sont utilisables avec le système de filtration d'eau. Veiller à installer chaque type de cartouche correctement. Pour les caractéristiques de performance des filtres, voir la section *Spécifications*.

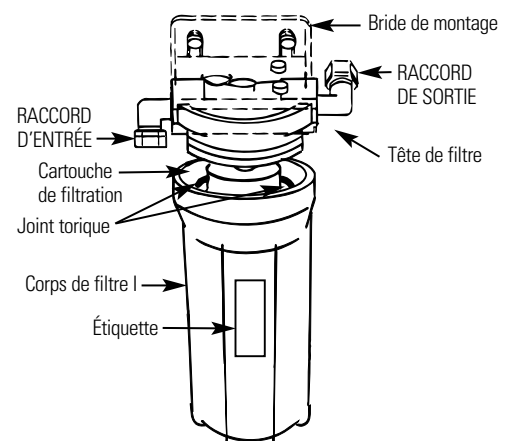
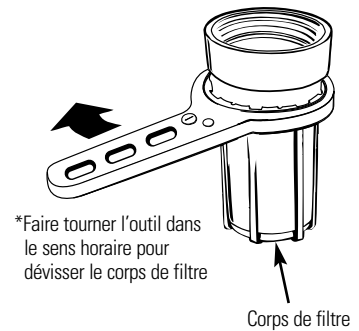
- 6 Lubrifier légèrement le joint torique avec une graisse aux silicones de qualité alimentaire (graisse aux silicones disponible auprès de GE—Pièces et services au : 1-800-626-2002 Numéro de pièce : W560X10005.) Veiller à ce que le joint soit bien placé dans la rainure.
- 7 Tenir le corps de filtre sous la tête de montage; aligner le trou central de la cartouche avec la pièce en saillie sous la tête. Un défaut d'alignement pourrait faire subir des dommages au filtre et/ou au système de filtration, ce qui en dégraderait la performance.
- 8 Visser le corps de filtre sur la tête de montage—veiller à ne pas détériorer le filetage; bien serrer à la main.

**NOTE :** Si on perçoit une résistance ou si le corps de filtre ne se visse pas bien, c'est peut-être parce que la cartouche de filtration n'est pas correctement alignée, ou est incorrectement orientée. Retirer la cartouche et veiller à l'orienter correctement avant de visser le corps de filtre.

- 9 Ouvrir le robinet d'eau filtrée. Ouvrir ensuite lentement le robinet d'arrêt sur la canalisation, et laisser le corps de filtre se remplir d'eau.
- 10 Fermer le robinet d'eau filtrée. Rechercher ensuite d'éventuelles fuites entre le corps de filtre et la tête de montage.

**NOTE :** S'il y a une fuite, fermer l'arrivée d'eau et ouvrir le robinet d'eau filtrée. Démontez le corps du filtre; rechercher d'éventuelles détériorations du joint torique (coupure, zone d'écrasement, etc.) ou la présence de matières étrangères sur les surfaces d'étanchéité. Nettoyer le joint torique; lubrifier légèrement le joint avec de la graisse aux silicones propre. Veiller à bien placer le joint dans la rainure du corps de filtre. Visser le corps de filtre; puis inspecter pour rechercher des fuites.

- 11 Les cartouches de filtration contiennent du charbon actif. Laisser initialement le robinet d'eau filtrée ouvert pendant cinq minutes pour rincer le système.
- 12 Inscire la date de changement du filtre sur l'étiquette, et placer l'étiquette sur le corps du filtre, à l'intérieur de la porte du placard ou en un autre endroit pratique. On devrait changer les filtres à intervalles de six mois.



---

## **Processus de rinçage**

Chaque fois que le système de filtration GE est exposé à de l'eau de qualité inconnue, on devrait jeter les éléments de filtration et rincer le circuit.

### **Circonstances qui peuvent nécessiter un rinçage du circuit :**

- Notification de la nécessité de faire bouillir l'eau.
- Inondation du système de filtration d'eau GE.
- Inutilisation prolongée.

### **Méthode de rinçage du système de filtration GE :**

- 1 Voir la section *Cartouches de filtration–Installation ou remplacement*, exécuter les étapes 1, 2, 3 et 4.
- 2 Réinstaller le corps de filtre (sans l'élément de filtration); faire circuler l'eau et laisser l'eau s'écouler par le robinet.
- 3 Fermer l'arrivée d'eau; enlever les corps de filtre; vider toute l'eau des corps de filtre, puis installer des éléments de filtration neufs.
- 4 Pour terminer le processus, voir la section *Cartouches de filtration–Installation ou remplacement*; exécuter les étapes 5–10.

## Avant de contacter un dépanneur...

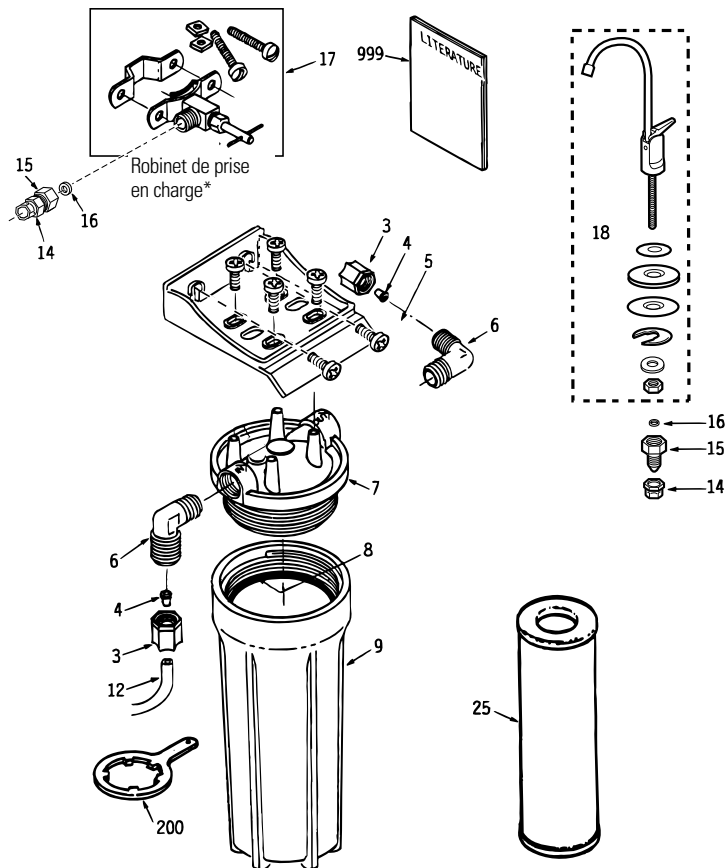


*Conseils pour le diagnostic  
Pour économiser temps et argent! Consulter  
d'abord le tableau ci-dessous. ...cela permettra  
peut-être d'éviter l'intervention d'un dépanneur.*

<b>Problème</b>	<b>Causes possibles</b>	<b>Remèdes</b>
<b>Présence de petites particules noires dans l'eau</b>	Les cartouches de filtration neuves contiennent du charbon actif; il s'agit d'une poudre noire inoffensive.	<ul style="list-style-type: none"><li>• Ouvrir le robinet de puisage de l'eau filtrée; laisser l'eau entraîner les particules de carbone. Refermer le robinet lorsque l'eau est limpide.</li></ul>
<b>Présence de bulles dans l'eau, et apparence trouble</b>	Présence d'air dans le système après l'installation.	<ul style="list-style-type: none"><li>• Ceci cessera après le puisage d'une quantité d'eau suffisante.</li></ul>
<b>Goût et/ou odeur de chlore dans l'eau filtrée</b>	Les cartouches de filtration ne retiennent plus le chlore contenu dans l'eau.	<ul style="list-style-type: none"><li>• Remplacer la cartouche de filtration.</li></ul>
<b>Débit d'eau réduit</b>	Le filtre comporte peut-être un dispositif de limitation du débit.	<ul style="list-style-type: none"><li>• Un débit modéré (environ 0,6 g/min) est normal avec ce type de filtre. Si ce débit est insuffisant, remplacer les filtres par des filtres qui ne comportent pas un dispositif de limitation du débit.</li></ul>
	Les filtres sont en service depuis trop longtemps.	<ul style="list-style-type: none"><li>• On recommande de remplacer les deux cartouches de filtration à intervalles de six mois.</li></ul>
	Les cartouches de filtration sont obstruées.	<ul style="list-style-type: none"><li>• Une concentration élevée de sédiments peut provoquer une obstruction prématurée. Remplacer les deux cartouches de filtration.</li></ul>
<b>Fuites au niveau des raccords (GX1S15C)</b>	Les tubes n'ont pas été installés correctement.	<ul style="list-style-type: none"><li>• Respecter scrupuleusement les instructions d'installation (page 19) et vérifier que le tube est installé à la profondeur correcte.</li></ul>
	Les tubes peuvent être endommagés.	<ul style="list-style-type: none"><li>• Examiner l'extrémité du tube (environ 1 po) pour rechercher des défauts comme éraflures, rayures, défauts de rondeur, etc. Si nécessaire, couper l'extrémité du tube et réinstaller.</li></ul>



## Liste des pièces.



**\*NOTE :** Dans l'État du Massachusetts, les codes en vigueur exigent que cet équipement soit installé par un plombier licencié, et que le raccordement à la canalisation d'alimentation ne soit pas effectué par un robinet de prise en charge. Avant l'installation, consulter le code de plomberie 248-CMR du Commonwealth of Massachusetts.

## Catalogue des pièces General Electric.

N° DE RÉF.	N° DE PCE	DESCRIPTION	G	G	G
0001	WS02X10001	Vis n° 10-14 x 3/4 po	4	4	8
0002	WS28X10010	Bride de montage	1	1	1
0003	WS22X10008	Écrou - tube 3/8 po	2	-	-
0004	WS22X10007	Virole de renfort - tube 3/8 po	-	2	-
0005	WS02X10003	Vis n° 10-14 x 1 1/4 po	2	2	2
0006	WS22X10002	Coude 3/8 po NPT x 3/8 po (compression)	2	-	-
0006	WS22X10032	Coude 3/8 po NPT x 3/8 po (enfonce-ment)	-	2	2
0007	WS19X10011	Tête de filtre	1	1	1
0008	WS03X10001	Joint torique 3 3/8 po x 3 5/8 po	1	1	1
0009	WS30X10002	Corps de filtre	1	1	1
0012	WS07X10008	Tube 3/8 po x 20 pi (blanc)	1	1	1
0014	WS02X10004	Écrou 3/8 po	2	2	2
0015	WS03X10003	Raccord d'adaptation pour tube	2	2	2
0016	WS03X10002	Joint	2	2	2
0017	WS15X10008	Robinet de prise en charge	1	1	1
0018	WS15X10022	Robinet de puisage (sans témoin)	1	1	-
0025	FXUTC	Cartouche de filtration - goût et odeur	1	-	-
	FXULC	Cartouche de filtration - plomb/spores	-	1	-
0200	WX5X140	Clé pour corps de filtre	1	1	-
0999	49-50040	Manuel - Utilisation et entretien/ installation	1	1	1

## Numéros de service.



### GE Answer Center® 800.626.2000

Notre service d'information est ouvert 24 heures par jour, 7 jours par semaine.



### Réparations à domicile 800-GE-CARES (800-432-2737)

Pour faire réparer votre électroménager GE, il suffit de nous téléphoner.



### Pour les besoins particuliers 800.626.2000

#### 800-TDD-GEAC (800-833-4322)

Sur demande, GE peut fournir sans frais des commandes avec inscription en braille ou une brochure sur l'aménagement d'une cuisine pour les personnes à mobilité réduite.



### Contrats d'entretien 800-626-2224

Achetez un contrat d'entretien GE avant que votre garantie n'expire et bénéficiez d'un rabais substantiel. Ainsi le service après-vente GE sera toujours là après expiration de la garantie.



### Pièces et accessoires 800-626-2002

Ceux qui désirent réparer eux-mêmes leurs électroménagers peuvent recevoir pièces et accessoires directement à la maison (cartes VISA, MasterCard et Discover acceptées).

**Les directives stipulées dans le présent manuel peuvent être effectuées par n'importe quel utilisateur. Les autres réparations doivent généralement être effectuées par un technicien qualifié. Soyez prudent, car une réparation inadéquate peut affecter le fonctionnement sécuritaire de l'appareil.**



### Un service satisfaisant

Si vous n'êtes pas satisfait du service après-vente dont vous avez bénéficié :

**Premièrement**, communiquez avec les gens qui ont réparé votre appareil.

**Ensuite**, si vous n'êtes toujours pas satisfait, envoyez tous les détails—numéro de téléphone compris—au Manager, Consumer Relations, GE Appliances, Appliance Park, Louisville, KY 40225.

## Système de filtration d'eau GE—Garantie.



Tous les services sous garantie sont fournis par notre réseau d'agences agréées SmartWater™. Pour obtenir les services nécessaires, téléphoner au 800-GE-CARES.

### Pendant une période de : GE remplacera :

**Un an**  
à compter de la date  
de l'achat initial

**Tout composant** du système de filtration d'eau (sauf les filtres) manifestant une défaillance imputable à un vice de matériau ou de fabrication. Durant cette **période de garantie limitée d'une année**, GE fournira **sans** également **frais** la main-d'œuvre nécessaire pour le remplacement de la pièce défectueuse (ceci ne comprend pas les frais de déplacement pour une réparation sur place).

### Ce que la garantie GE ne couvre pas :

- Visite chez l'utilisateur pour lui enseigner comment utiliser le produit.
- Installation incorrecte.
- Défaillance du produit imputable à emploi incorrect ou abusif, ou utilisation commerciale ou dans une application non prévue.
- Utilisation du produit pour la filtration d'eau microbiologiquement polluée ou de qualité inconnue, sans désinfection adéquate avant ou après le système. Les systèmes homologués pour la rétention des spores peuvent être utilisés pour la filtration d'une eau désinfectée qui peut contenir des spores filtrables.

- Cartouches de filtration.
- Remplacement des fusibles ou réarmement des disjoncteurs.
- Détérioration du produit imputable à accident, incendie, inondation ou catastrophe naturelle.
- Dommages matériels secondaires ou indirects imputables à d'éventuels défauts de cet appareil.

Cette garantie est accordée à l'acquéreur initial du produit et à tout propriétaire ultérieur d'un produit acheté pour installation dans une résidence sur le territoire des É.-U. En Alaska la garantie ne couvre pas le coût d'expédition ou de la réparation sur place.

Certaines provinces ne permettent pas l'exclusion ou la limitation des dommages secondaires ou indirects. Cette garantie vous confère des droits juridiques spécifiques; vous pouvez également jouir d'autres droits, variables d'une province à une autre. Pour mieux connaître vos droits, vous pouvez consulter les autorités locales responsables de la protection des consommateurs.

<b>Información de seguridad</b> .....	.26
<b>Instrucciones de funcionamiento</b> .....	.27
<i>Cómo usar el sistema</i> .....	.27
<i>Guías de especificaciones</i> .....	.27
<b>Instrucciones de instalación</b> .....	.28-33
<i>Recomendaciones importantes</i> .....	.28
<i>Herramientas/Materiales requeridos</i> .....	.28
<i>Abastecimiento de agua</i> .....	.29
<i>Instrucciones paso a paso</i> .....	.30, 31
<i>Instalación de la llave de agua</i> .....	.30
<i>Montaje sobre la pared</i> .....	.31
<i>Conexiones de los tubos</i> .....	.31
<i>Instalación o reemplazo del cartucho del filtro</i> .....	.32
<i>Procedimiento para lavado</i> .....	.33
<b>Consejos para detectar problemas</b>	
<i>Antes de llamar para un servicio</i> .....	.34
<b>Servicio del consumidor</b>	
<i>Lista/Catálogo de partes</i> .....	.35
<i>Teléfono de servicio Números</i> .....	.36
<i>Garantía</i> .....	.36



GN1S04C/GX1S04C está probados y certificados por NSF Internacional, contra la norma 42 de ANSI/NSF para la reducción de Partículas Clase I, Cloro Clase I, y Sabor/Olor.

GN1S15C está probados y certificado por NSF Internacional contra la norma 42 de ANSI/NSF para la reducción de Partículas Clase I, Cloro Clase I, y Sabor/Olor y la norma 53 para la reducción de plomo, quistes, turbidez, asbestos, y lindano.

## ¡IMPORTANTE!

Llene y devuelva la Tarjeta de Registración del Producto del Cliente que está empacado con este producto.

**Escriba los números de modelo y serie aquí:**

# \_\_\_\_\_

# \_\_\_\_\_

Los puede encontrar en la abrazadera del receptáculo.

**Engrape el recibo de venta o el cheque cancelado aquí.**

La prueba de fecha de compra original se necesita para obtener un servicio bajo la garantía.

## SI NECESITA SERVICIO

Adentro usted encontrará muchos consejos sobre cómo usar y mantener su sistema de agua adecuadamente. Usted encontrará muchas respuestas a problemas comunes en la sección *Antes de Llamar para un Servicio*. Si usted revisa primero la tabla *Consejos para Detectar Problemas*, es posible que no necesite llamar para un servicio.

Si necesita un servicio, usted puede relajarse sabiendo que la ayuda está a un llamado telefónico de distancia. Una lista de números gratis para el servicio del consumidor se incluye en la sección de atrás.

## INFORMACION IMPORTANTE DE SEGURIDAD. LEA TODAS LAS INSTRUCCIONES ANTES DEL USO.

**⚠ ¡ADVERTENCIA!** *Para su seguridad, la información en este manual debe ser seguida para minimizar el riesgo de daño a la propiedad o herida personal.*

## PRECAUCIONES DE SEGURIDAD

- Consulte con su departamento local de obras públicas para los códigos de plomería. Usted debe seguir estas reglas cuando instale su Sistema de Filtración de Agua.
- Use el sistema de Filtración de Agua con una línea de abastecimiento de agua FRIA de hogar, potable y segura para beber.
- No lo use con una línea de agua caliente (100°F. máx.).

**⚠ ADVERTENCIA:** No use con agua que sea microbiológicamente insegura o de calidad desconocida sin una desinfección adecuada antes o después del sistema. Sistemas certificados para reducción de quistes pueden ser usados en agua desinfectada que podrían contener quistes filtrables.

## INSTALACION ADECUADA

*Este sistema de Filtración de Agua debe ser instalado y ubicado adecuadamente de acuerdo con las Instrucciones de Instalación antes de ser usado.*

- Instale o guarde donde no estará expuesto a temperaturas bajo el punto de congelación o expuesto a cualquier tipo de clima.  
El agua que se congele en el sistema lo dañará. No trate de tratar el agua a más de 100°F.

- Su sistema de Filtración de Agua soportará hasta 125 libras de presión de agua por pulgada cuadrada (psi). Si la presión de la línea de agua de su casa es más alta que 100 psi, instale una válvula reductora de presión antes de instalar el sistema de Filtración de Agua.

**⚠ ADVERTENCIA:** Bote todos los materiales sin usar y de empaque después de la instalación. Las partes pequeñas que quedan después de la instalación podrían ser un peligro para atragantarse.

*Lea y siga esta Información de Seguridad cuidadosamente.*

## GUARDE ESTAS INSTRUCCIONES

# Acerca del sistema de filtración de agua.

## Cómo usar el sistema de filtración de agua y acerca del cartucho del filtro

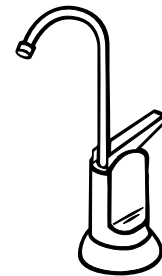
La llave de agua de la superficie del gabinete dispensa agua para beber filtrada. Tiene una manilla cerrada manual a resorte para prevenir pérdida. Usted puede mantener la llave abierta empujando la manilla hacia arriba para engancharla en la punta de la llave.

**Vida del cartucho del filtro**—Varias variables determinan cuánto durarán los cartuchos en su sistema de Filtración de Agua. Estas incluyen:

- 1 **Cuánta agua usa.**
- 2 **Cuánto sedimento, sabor y/u olor, plomo u otra sustancia indeseada hay en el agua.**

Sin importar qué sistema de Filtración de Agua usted tiene, usted debería reemplazar los cartuchos cada seis meses. En abastecimientos de agua extremadamente malos, usted podría notar el retorno de sustancias indeseadas en sus agua antes que terminen los seis meses. En este casos los cartuchos deberían ser cambiados inmediatamente. Si el sistema es también para sacar plomo o contaminantes químicos, es **MAS IMPORTANTE** reemplazar los cartuchos por lo menos cada seis meses.

**NOTA:** Si la línea de agua contiene altas cantidades de sedimento, los filtros de carbón se podrían tapar prematuramente, reduciendo el paso del agua filtrada a la llave del sistema. *El reemplazo del cartucho es necesario para restaurar el paso.*



## Guía de especificaciones.

Muchos sabores y/u olores malos se sacan del agua usando cartuchos de filtro de carbón activado. Se usan más a menudo para sacar el sabor y olor a cloro. También pueden reducir otros elementos indeseables de las líneas de agua para tomar, tales como contaminantes químicos orgánicos y plomo.

**NOTA:** Pequeñas cantidades de sulfato de hidrógeno (se nota como olor a “huevo podrido”) podrían ser reducidas por filtros para sabor y olor por un corto tiempo, pero el medio de carbón se gasta rápidamente. Otro equipo para acondicionamiento de agua generalmente se requiere para el tratamiento continuo del sulfato de hidrógeno.

### El sistema de Filtración de Agua usa los siguientes cartuchos de filtros.

**I. FXUTC**—Cartucho para sabor/olor  
(3000 galones de capacidad)

Blanco con puntas color magenta

- Reduce polvo, herrumbe y sedimento
- Reduce malos sabores y olores
- Reduce de cloro
- Reducción de partículas nominales de 1 microne

**II. FXULC**—Cartucho para plomo/quistes  
(1250 galones de capacidad)

Blanco con puntas amarillas

- Reduce polvo, herrumbe y sedimento
- Reduce malos sabores y olores
- Reduce del cloro
- Reduce del plomo
- Reduce de asbesto
- Reduce de quistes filtrables (tales como cryptosporidium y giardia)
- Reduce de lindano (un pesticida)
- Reducción de partículas nominales de 0.5 microne

Presión mínima-máxima de línea de agua—40-125 libras por pulgada cuadrada (psi)

Temperatura mínima-máxima de línea de agua—40-100°F.

Entrada-Salida—3/8" NPT

Valor del paso de servicio: 1.0 gpm (GN1S04C & GX1S04C)

0.6 gpm (GX1S15C)

Dependiendo del tratamiento necesitado para un abastecimiento de agua específico, el sistema de filtración de agua puede ser hecho a la medida usando cualquier combinación de juegos de cartuchos de filtro.

# Instrucciones de instalación.

## Recomendaciones importantes de instalación

Lea el manual completo. La falla de seguir todas las guías y reglas podría causar heridas personales o daño a la propiedad.

- **Consulte con su departamento local de obras públicas para los códigos de plomería. Usted debe seguir sus guías a medida que instala el sistema de Filtración de Agua.**
- **Use el sistema de Filtración de Agua solamente en una línea de agua FRIA de casa, potable, segura para beber. Los filtros de agua no purificarán el agua o harán que el agua mala sea buena para beber. NO use con agua CALIENTE (100°F. Máx.).**
- **Proteja el sistema de Filtración de Agua y las cañerías del congelamiento. El agua que se congele en el sistema lo dañará.**
- **Su sistema de Filtración de Agua soportará hasta 125 psi de presión de agua. Si la presión de agua en su casa es más de 100 psi durante el día (podría alcanzar ese nivel durante la noche), instale una válvula reductora de presión antes del sistema.**

**⚠️ ADVERTENCIA:** No use con agua que sea microbiológicamente insegura o de calidad desconocida sin una desinfección adecuada antes o después del sistema. GX1S15C está certificado para reducción de quistes y podría ser usado con agua desinfectada que podría contener quistes filtrables. El agua debería ser inspeccionada periódicamente para verificar que el sistema está funcionando satisfactoriamente. Las partes pequeñas que sobren después de la instalación podrían ser un peligro para atragantarse. Desheche en forma segura.

## Herramientas y Materiales requeridas para la instalación

- Destornilladores “slotted” y Phillips.
- Alicates y llaves inglesas ajustables.
- Taladro y punta de 1/4” manual o a batería (instalación de la válvula tipo “saddle”).
- Taladro eléctrico y punta para hacer un hoyo de 1” a 1-1/4” (tipo como sea requerido) si se necesita un hoyo para el montaje de la llave de agua.

**Asegúrese de usar el procedimiento adecuado para hacer hoyos en porcelana o acero inoxidable. Se podrían necesitar puntas de taladros especiales.**

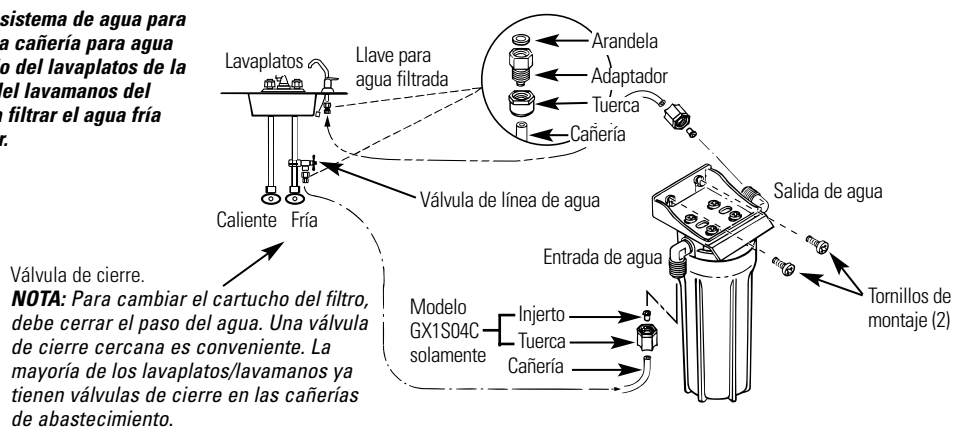
**⚠️ PRECAUCION:** Para evitar daño al lavaplatos, consulte con un plomero o un instalador para los procedimientos para hacer los hoyos. Taladros especiales podrían ser necesarios para porcelana o acero inoxidable.

### Contenidos incluidos con el producto:

- Juego de filtro de agua, incluyendo abrazaderas de montaje y tornillos.
- Literatura sobre el producto (Manual del Consumidor e Instalación, Hoja de Información del Producto, Tarjeta de Registro del Producto del Cliente).
- Válvula tipo “saddle”/línea de agua.
- Llave para el agua filtrada, para instalación en el lavaplatos o sobre el gabinete.
- Tubos y uniones de 3/8” para hacer todas las conexiones necesarias.
- Llave inglesa para el receptáculo.

## Sumario de la instalación

**Ubique el sistema de agua para tomar en la cañería para agua fría, debajo del lavaplatos de la cocina o del lavamanos del baño, para filtrar el agua fría para tomar.**



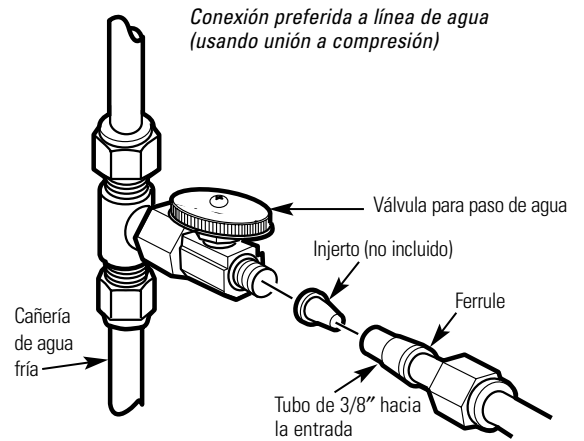
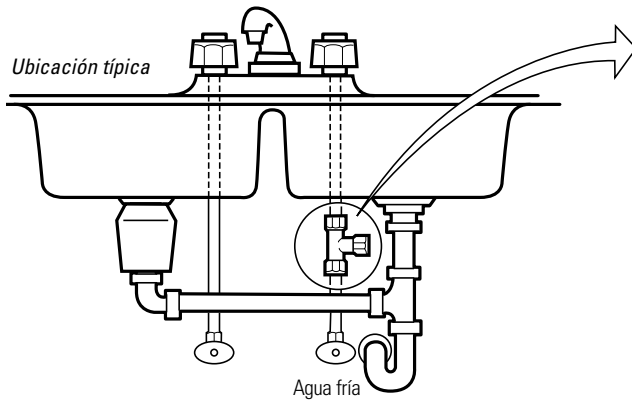


## Línea de abastecimiento de agua

Consulte y cumpla con los códigos de plomería locales a medida que planee, luego instale una unión para abastecimiento de agua fría. Para la instalación en una casa nueva usando uniones de plomería normales, vea primero las dos ilustraciones de abajo. Una instalación típica para casas existentes usando la válvula tipo “saddle” se muestra en la tercera ilustración de abajo.

### A. INSTALACION PREFERIDA

- 1 Cierre el paso de agua fría.
- 2 Cumpliendo con los códigos de plomería, instale una unión en la cañería de agua fría para adaptar una cañería OD de 3/8". Una conexión típica se muestra en la ilustración de la derecha (partes no incluidas). Asegúrese de usar una válvula para paso de agua.



### B. INSTALACION DE CASA OPCIONAL donde lo permitan los códigos

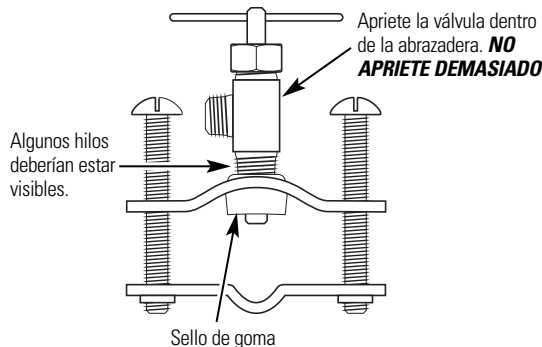
**\*Para un tubo OD de 1/2" o más grande solamente.**

**NOTA:** Los códigos del estado de Massachusetts requieren que la instalación sea hecha por un plomero licenciado y no permiten el uso de una válvula tipo “saddle.” Para la instalación, use el código de plomería 248-CMR del Commonwealth de Massachusetts.

- 1 Cierre el paso de agua fría y coloque la válvula tipo “saddle” como se muestra en la ilustración de la derecha.

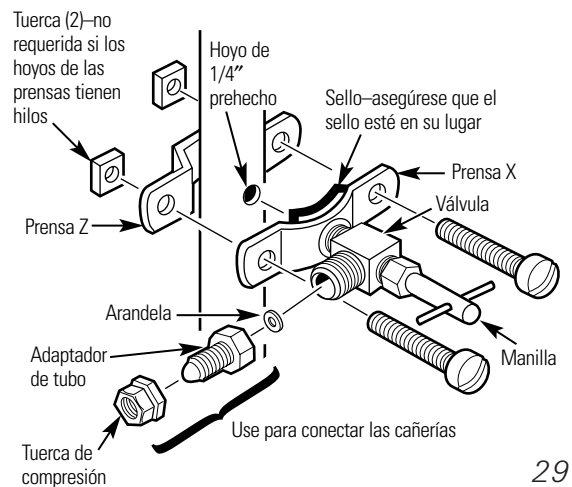
**⚠ PELIGRO:** Para protegerse de una herida seria o un golpe de corriente fatal, use solamente un taladro manual o a baterías para hacer el hoyo. **NO USE UN TALADRO ELECTRICO.**

- 2 Cierre el paso del agua haciendo girar la manilla en dirección del reloj.
- 3 Abra la válvula de paso principal del agua y varias llaves de agua de la casa para sacar el aire del sistema. Cierre las llaves cuando el agua corra suavemente.



Conexión opcional a línea de agua (usando una válvula “saddle”)\*

**\*Para un tubo OD de 1/2" o más grande solamente.**





# Instrucciones de instalación paso a paso.

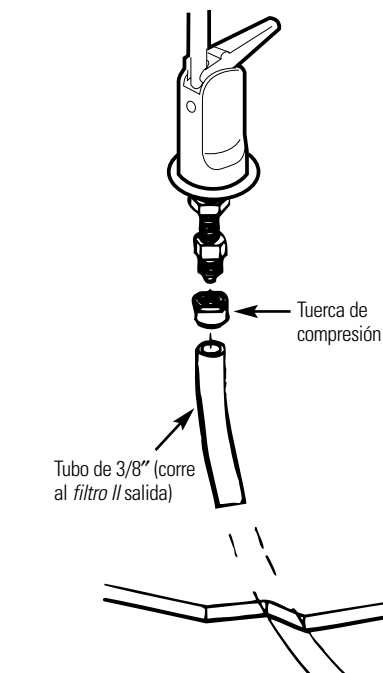
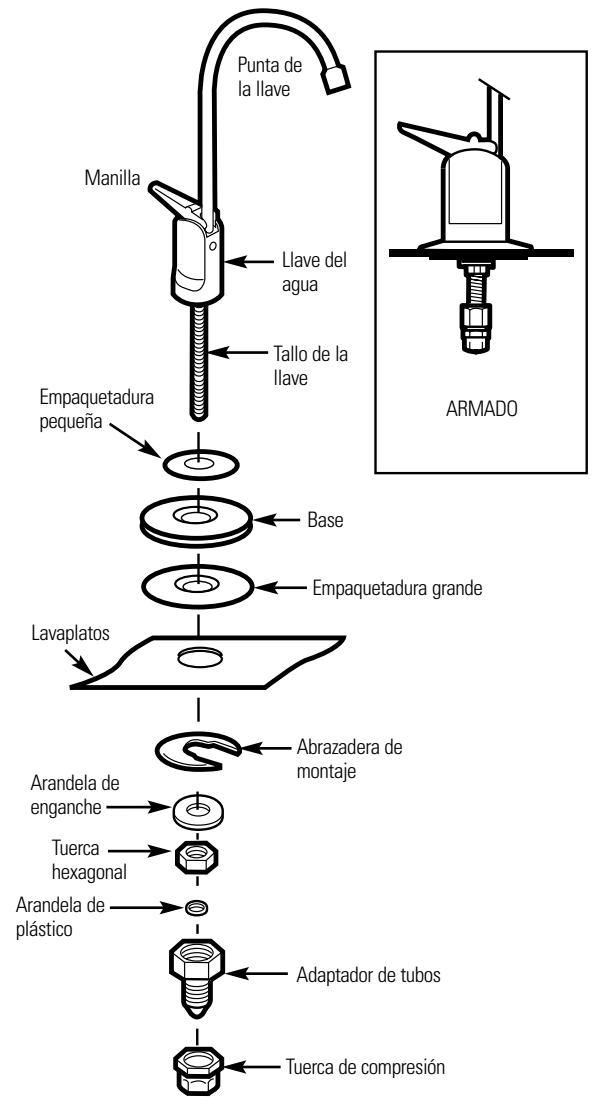
## Instalación de llaves de agua

Asegúrese de que haya lugar debajo del lavaplatos/lavamanos para hacer las conexiones necesarias. Seleccione uno de los siguientes lugares para instalar la llave:

- EN un hoyo de rociador o dispensador de jabón de lavaplatos existente.
- EN un hoyo que se hará en la superficie del lavaplatos.
- EN un hoyo que se hará sobre la superficie del gabinete, al lado del lavaplatos.

**NOTA:** Mirando la segunda ilustración de la derecha, asegúrese que la base de la llave quedará puesta en forma plana contra la superficie de la ubicación seleccionada para que la empaquetadura selle.

- 1 Si se necesita hacer un hoyo, haga un hoyo de 3/4" de diámetro. **Asegúrese de usar el procedimiento adecuado para hacer hoyos en la porcelana o acero inoxidable. Se podrían necesitar puntas de taladro especiales.**
- 2 Coloque la empaquetadura pequeña, la base y la empaquetadura grande (en ese orden) en el tallo de la llave. Luego, coloque la arandela de enganche y la tuerca hexagonal en el tallo de la llave.
- 3 Inserte la arandela en el adaptador del tubo. Apriete bien al tallo de la llave.
- 4 Haga pasar el largo del tubo OD de 3/8" desde el fondo, a través del hoyo de montaje. Conecte el adaptador del tubo como se muestra en la segunda ilustración, apretando bien la tuerca de compresión.
- 5 Saque el tubo corto de empaque y meta la punta en el cuerpo de la llave. Haga girar la punta hacia su lugar.
- 6 Baje el juego de la llave a su lugar sobre el lado de abajo del hoyo de montaje. Coloque la abrazadera de montaje sobre la arandela de enganche. Mientras sujete la arandela de montaje en su lugar, apriete bien la tuerca hexagonal.

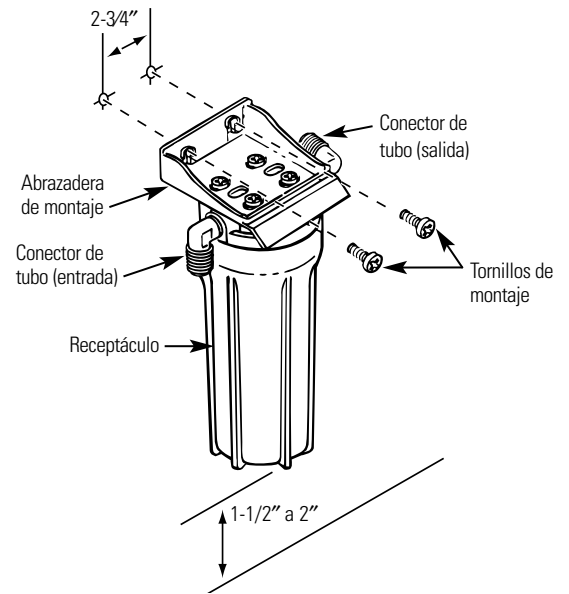


## Cómo montar la abrazadera en la pared del gabinete

La abrazadera se puede usar como molde para marcar la ubicación de los tornillos de montaje. Cuando determine la ubicación de la abrazadera asegúrese de dejar un área libre de 1-1/2" a 2" debajo de los receptáculos para permitir sacar los receptáculos y espacio suficiente en cualquiera de los lados para hacer las conexiones de los tubos.

### Conexiones de los tubos—Estilo compresión (Modelos GX1S04C y GN1S04C)

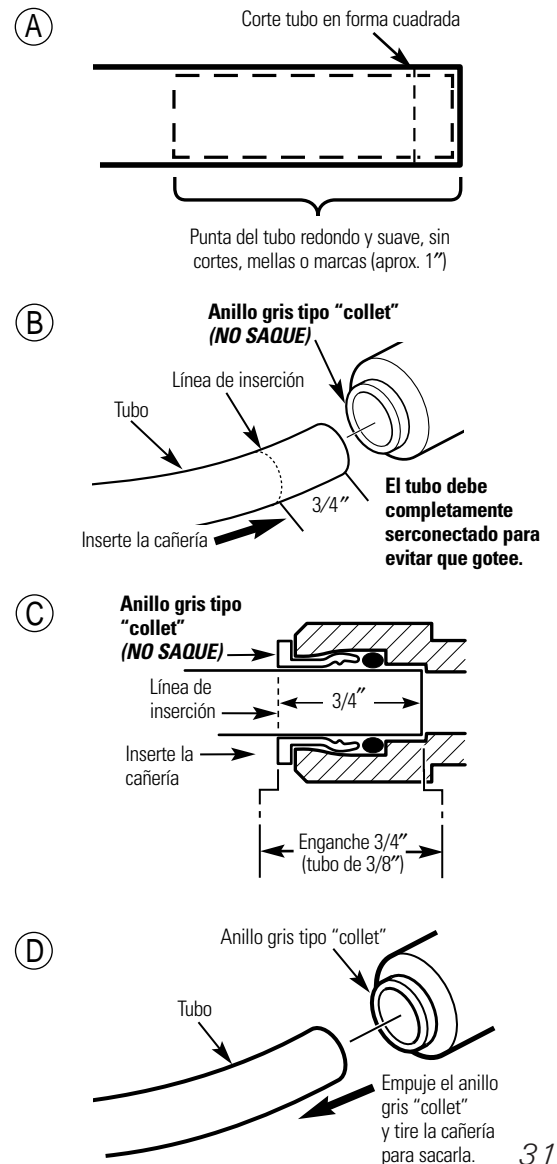
- 1 Pase el largo del tubo de 3/8", conectado al fondo de la llave, a la salida del sistema de filtro. Permita una soltura suficiente en el tubo para que la unidad se pueda sacar fácilmente para cambiar los filtros. Mida y corte las puntas de los tubos en forma cuadrada.
- 2 Deslice la tuerca de compresión en la punta del tubo y empuje el injerto del tubo dentro del tubo.
- 3 Conecte el tubo y apriete bien la tuerca de compresión.
- 4 Repita los pasos anteriores para conectar el largo del tubo entre la entrada del sistema del filtro y la línea del agua/válvula "saddle" (ilustración en la sección *Sumario de la Instalación*).



### Conexiones de los tubos—Estilo empuje (Modelo GX1S15C)

- 1 Pase el largo del tubo de 3/8", conectado al fondo de la llave, a la salida del sistema de filtro (ilustración arriba). Permita suficiente soltura en el tubo para sacar fácilmente la unidad.
- 2 Mida y corte la punta de los tubos en forma cuadrada usando un cortador o un cuchillo afilado. Saque las astillas (ilustración A).
- 3 Inspeccione la punta del tubo, como 1 pulgada, para estar seguro de que no hayan imperfecciones. Podría ser necesario cortar el tubo nuevamente.
- 4 Marque el tubo para el largo de la inserción. Para tubos OD de 3/8" el largo de la inserción debería ser aproximadamente 3/4". **El tubo debe completamente serconectado para evitar que gotee.**
- 5 **NO SAQUE EL ANILLO GRIS TIPO "COLLET"**. Empuje el tubo hasta el fondo de la unión. La línea de inserción debería quedar escondida o casi invisible (ilustración B y C). Tire suavemente el tubo para ver si está bien enganchado.
- 6 Repita el procedimiento para conectar el tubo entre la entrada del sistema de filtro y la línea de agua/válvula "saddle" (ilustración en la sección *Sumario de la Instalación*).
- 7 Para sacar la cañería (ilustración D), empuje y sujete el anillo gris "collet". Tire la cañería para sacarla.

**NOTA:** Evite instalar la unidad donde el tubo se tire en un ángulo cerrado. Este tipo de instalación podría causar que las uniones goteen. Si se usa otro tipo de tubo fuera del que se provee, asegúrese de que sea de alta calidad, tamaño y redondés exacta, y que tenga una superficie suave.



# Acerca del sistema de filtración de agua.

## Instalación o reemplazo del cartucho del filtro

**⚠ PRECAUCIÓN:** Nunca saque los receptáculos cuando hay presión de agua en el sistema de filtración.

**1** Cierre el paso del agua/válvula "saddle" hacia el filtro. (Vea la ilustración en la sección *Sumario de la Instalación* para la ubicación de la válvula de la línea de abastecimiento del agua.) Abra la llave del agua filtrada.

**2** Saque el receptáculo, usando la llave para receptáculo que se provee, de la cabeza del filtro haciendo girar el receptáculo como se muestra. Tenga cuidado, el receptáculo podría estar lleno de agua. Asegúrese de guardar el sello de anillo grande.

**3** Si está reemplazando un cartucho de filtro, saque y bote el cartucho del filtro usado.

**4** Asegúrese que el interior del receptáculo esté limpio. Lave bien el interior del receptáculo con agua caliente con jabón y enjuague.

**5** Saque el envoltorio del cartucho del filtro nuevo y meta el cartucho del filtro en el receptáculo. Algunos cartuchos calzan de cualquier forma, mientras otros calzan sólo de una manera. Observe las marcas sobre el cartucho.

**NOTA:** El sistema de filtración de agua usa dos tipos diferentes de cartuchos de filtro. Asegúrese de instalarlos correctamente. Vea la página 27 para una lista completa de las características de funcionamiento del filtro.

**6** Lubrique levemente el sello tipo anillo en el receptáculo con grasa de silicón limpia para cocinar. (La grasa de silicón se puede comprar a través de las Partes y Servicios GE: 1-800-626-2002 Parte número: WS60X10005). Asegúrese que quede bien puesto en la ranura.

**7** Sujete el receptáculo hacia la cabeza del filtro, alineando el centro del hoyo del cartucho con la marca sobre el fondo de la cabeza. La falla de obtener un alineamiento adecuado podría causar daño al filtro y/o el sistema de filtración, lo cual degradará el funcionamiento del filtro.

**8** Teniendo cuidado de no cruzar los hilos, haga rotar el receptáculo sobre la cabeza del filtro y apriete bien con la mano.

**NOTA:** Si el receptáculo no se aprieta a la cabeza o si usted siente resistencia, es posible que usted tenga el cartucho invertido o fuera de alineamiento. Saque el cartucho y revise la correcta orientación o alineamiento y arme nuevamente.

**9** Abra la llave del agua filtrada. Luego, lentamente abra la válvula de paso del agua y permita que la caja del filtro se llene.

**10** Cierre la llave del agua filtrada. Luego, revise que no hayan goteras entre el receptáculo y la cabeza.

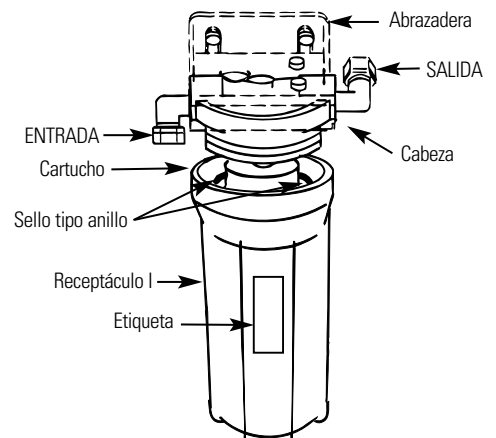
**NOTA:** Si hay goteras, cierre el paso del agua y abra la llave del agua filtrada. Desarme la caja del filtro y revise el sello tipo anillo por cortaduras, marcas planas, etc., y las superficies por materias extrañas. Limpie el anillo del sello y lubrique levemente con grasa limpia de silicón. Cuidadosamente empuje hacia la ranura del receptáculo. Rearme y revise para que no hayan goteras.

**11** Los cartuchos del filtro contienen carbón activado. Cuando están nuevos, abra la llave del agua filtrada por cinco minutos para lavar el sistema.

**12** Coloque la etiqueta para cambio del filtro sobre el receptáculo, dentro del puerta del gabinete, o en otro lugar conveniente. Escriba la fecha del cambio del filtro para referencia futura. Los filtros deberían ser cambiados cada seis meses.



\*Haga girar la llave para el receptáculo que se provee en dirección del reloj para sacar el receptáculo.



---

### ***Procedimiento para lavar.***

Cada vez que agua de calidad desconocida es pasada a través del sistema de Filtración de Agua GE, los elementos del filtro deberían ser deshechados y el sistema de filtración lavado.

#### ***Las circunstancias que podrían requerir el lavado del sistema son:***

- Advertencia de que hay que hervir el agua.
- Inundación del sistema de Filtración de Agua GE.
- Largo tiempo sin ser usado.

#### ***El procedimiento para lavar el sistema de Filtración de Agua GE es:***

- 1 Vea la sección de *Reemplazo del Cartucho del Filtro* y siga los pasos 1, 2, 3, y 4.
- 2 Luego, reinstale los receptáculos (sin los elementos del filtro), abra el agua, y lave a través de la llave por un minuto.
- 3 Entonces, cierre el agua, saque los receptáculos, vacíe el agua de los receptáculos e instale elementos de filtro nuevos.
- 4 Siga los pasos 5-11 en la sección *Reemplazo del Cartucho del Filtro* para completar.

## Antes de llamar para un servicio...

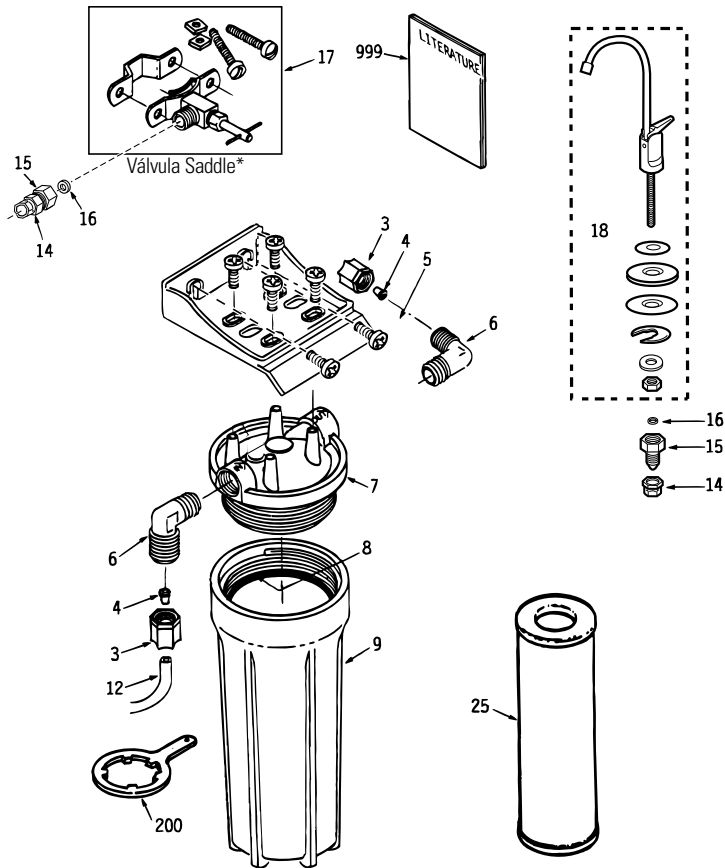


Consejos para detectar problemas

¡Ahorre tiempo y dinero! Revise la tabla de abajo primero y es posible que no necesite llamar para un servicio.

<b>Problema</b>	<b>Posibles causas</b>	<b>Qué hacer</b>
<b>El agua contiene pequeñas partículas negras</b>	Los cartuchos de filtros nuevos contienen carbón activado, lo cual es un polvo negro que no hace daño.	<ul style="list-style-type: none"><li>• Abra la llave del agua filtrada y permita que estas partículas de carbón que no hacen daño salgan del cartucho. Cierre la llave cuando el agua esté limpia.</li></ul>
<b>Agua tiene burbujas de agua y está turbia</b>	Aire en el sistema después de la instalación.	<ul style="list-style-type: none"><li>• Desaparecerán después que el agua corra un poco.</li></ul>
<b>Sabor y/u olor a cloro en el agua que se produce</b>	El cartucho del filtro ya no está sacando el cloro de la línea del agua.	<ul style="list-style-type: none"><li>• Reemplace el cartucho del filtro.</li></ul>
<b>Agua sale muy lentamente</b>	El filtro podría tener un restrictor de paso integrado.	<ul style="list-style-type: none"><li>• Un paso lento (approx. 0.6 g/min.) es normal con este tipo de filtro. Si la cantidad de paso es inaceptable reemplace el filtro con uno que no tenga un restrictor de paso integrado.</li></ul>
	El filtro ha estado instalado por demasiado tiempo.	<ul style="list-style-type: none"><li>• Un período de cambio de cada seis meses es recomendado. Reemplace el cartucho del filtro.</li></ul>
	El cartucho del filtro está tapado.	<ul style="list-style-type: none"><li>• Niveles altos de sedimento pueden causar un tapado prematuro. Reemplace el cartucho del filtro.</li></ul>
<b>Las uniones a presión están goteando (GX1S15C)</b>	El tubo podría estar instalado incorrectamente.	<ul style="list-style-type: none"><li>• Siga las instrucciones de instalación (página 31) completamente y que el tubo esté instalado a la profundidad adecuada.</li></ul>
	El tubo podría estar dañado.	<ul style="list-style-type: none"><li>• Examine la punta del tubo (approx. 1") por defectos como rayas, ranuras, redondés, etc. Recorte el tubo y reinstale completamente.</li></ul>

# Lista de partes.



**\*NOTA:** Los códigos del estado de Massachusetts requieren que la instalación sea hecha por un plomero licenciado y no permiten el uso de una válvula tipo "saddle". Para la instalación, use el código de plomería 248-CMR del Commonwealth de Massachusetts.

# Catálogo de partes General Electric.

Nº de RÉF.	PARTE Nº	DESCRIPCION DE PARTE	G	G	G
0001	WS02X10001	TORNILLO #10-14 X 3/4"	4	4	8
0002	WS28X10010	ABRAZADERA DE MONTAJE	1	1	1
0003	WS22X10008	TUBO DE TUERCA 3/8"	2	-	-
0004	WS22X10007	INJERTO DE TUBO 3/8"	-	2	-
0005	WS02X10003	TORNILLO #10-14 X 1 1/4"	2	2	2
0006	WS22X10002	CODO 3/8" NPT X 3/8" (compresión)	2	-	-
0006	WS22X10032	CODO 3/8" NPT X 3/8" (empuje)	-	2	2
0007	WS19X10011	CABEZA	1	1	1
0008	WS03X10001	ANILLO-O 3-3/8" X 3-5/8"	1	1	1
0009	WS30X10002	RECEPTACULO	1	1	1
0012	WS07X10008	TUBO 3/8" X 20FT-WH	1	1	1
0014	WS02X10004	TUERCA 3/8"	2	2	2
0015	WS03X10003	ADAPTADOR DE TUBO	2	2	2
0016	WS03X10002	ARANDELA	2	2	2
0017	WS15X10008	VALVULA SADDLE/LINEA DE AGUA	1	1	1
0018	WS15X10022	JUEGO DE LLAVE (sin monitor)	1	1	-
0025	FXUTC	JUEGO DE FILTRO-SABOR & OLOR	1	-	-
	FXULC	JUEGO DE FILTRO-PLOMO/QUISTE	-	1	-
0200	WX5X140	LLAVE PARA RECEPTACULO	1	1	-
0999	49-50040	MANUAL DE USO Y CUIDADO/ INSTALACION	1	1	1

## Números de servicio.



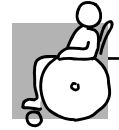
### GE Answer Center® En los EE.UU.: 800.626.2000

El GE Answer Center® está abierto las 24 horas del día, los 7 días de la semana.



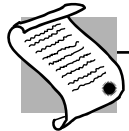
### Reparaciones en su hogar En los EE.UU.: 800-432-2737

Para reparar su aparato GE, sólo llame por teléfono.



### Necesidades especiales En los EE.UU.: 800.626.2000

**TDD 800-TDD-GEAC (800-833-4322).** GE le ofrece, sin costo, un folleto de ayuda en planear cocinas para personas limitadas en su movilidad. **En los EE.UU., llame 800-TDD-GEAC (800-833-4322).**



### Contratos de servicio En los EE.UU.: 800-626-2224

Compre un contrato GE antes de que su garantía expire, y recibirá un descuento considerable. Así el servicio al consumidor GE estará allí aún después de que expire su garantía.



### Partes y accesorios En los EE.UU.: 800-626-2002

Las personas calificadas para dar servicio a sus aparatos pueden recibir partes y accesorios a sus hogares (se aceptan VISA, MasterCard y Discover). **Las instrucciones de mantenimiento para el usuario que contiene este manual, le puede realizar cualquier usuario. Otro tipo de servicios los deberá ejecutar un personal calificado. Tenga precaución, un servicio inadecuado puede ser causa de peligros en la operación.**



### Servicio satisfactorio

Si no quedara satisfecho con el servicio GE: **Primero**, contacte las personas que le dieron servicio. **Después**, si sigue insatisfecho, **en los EE.UU.**, escriba todos los detalles—incluso su número de teléfono—a: Manager, Consumer Relations, GE Appliances, Appliance Park, Louisville, KY 40225.

## Garantía del sistema de Filtración de Agua GE.



Todo el servicio de garantía es proveído por nuestra Red de Servicio Autorizado "SmartWater". Para servicio, llame al 800-GE-CARES.

### Por el período de: GE reemplazará:

Un año desde la fecha de compra original

Cualquier parte del sistema de Filtración de Agua (excluyendo los filtros) que fallen debido a un defecto de materiales u obra de mano. Durante esta **garantía limitada de un año**, GE también proveerá, **sin costo**, todo el trabajo (no incluye el viaje de servicio a la casa) para reemplazar la parte defectuosa.

### Lo que GE no cubrirá:

- Viajes de servicio a su casa para enseñarle a usar el producto.
- Instalación inadecuada.
- Falla del producto si es abusado, mal usado, o usado con otros propósitos diferentes a los cuales está diseñado o usado comercialmente.
- Uso de este producto donde el agua no es microbiológicamente segura o de calidad desconocida, sin una desinfección adecuada antes o después del sistema. Los sistemas certificados para reducción de quistes podrían ser usados en aguas desinfectadas que podrían contener ciertos quistes filtrables.
- Cartuchos de filtros.
- Reemplazo de fusibles de casa o reposición de interruptores de circuito.
- Daño al producto causado por accidente, incendio, inundación o actos de Dios.
- Daño incidental o concecuencial a la propiedad personal causado por posibles defectos con este aparato.

Esta garantía es extendida al comprador original y cualquier dueño siguiente para productos comprados para uso de hogar dentro de E.E.U.U. En Alaska, la garantía excluye el costo de fletes o llamados de servicio a su hogar.

Algunos estados no permiten la exclusión o limitación de daños incidentales o concecuenciales. Esta garantía le da derechos legales específicos, y usted también podría tener otros derechos que varían de estado a estado. Para saber cuáles son sus derechos legales, consulte con su oficina de asuntos del consumidor local o estatal o con la oficina del Fiscal del Estado.