



Frigidaire

Factory Parts Catalog

Product No.	CPLMZ169HCA
Market	Canada
Color	stainless steel
Volts	117
Watts	1000
Wiring Diagram	5995518791
Owner's Guide	TINSEB150WRRZ
Installation Instructions	TINSEB151WRRZ

 **Electrolux**

Electrolux Major Appliances
North & Latin America
5855 TERRY FOX WAY
MISSISSAUGA, ONTARIO, CANADA L5V
3E4

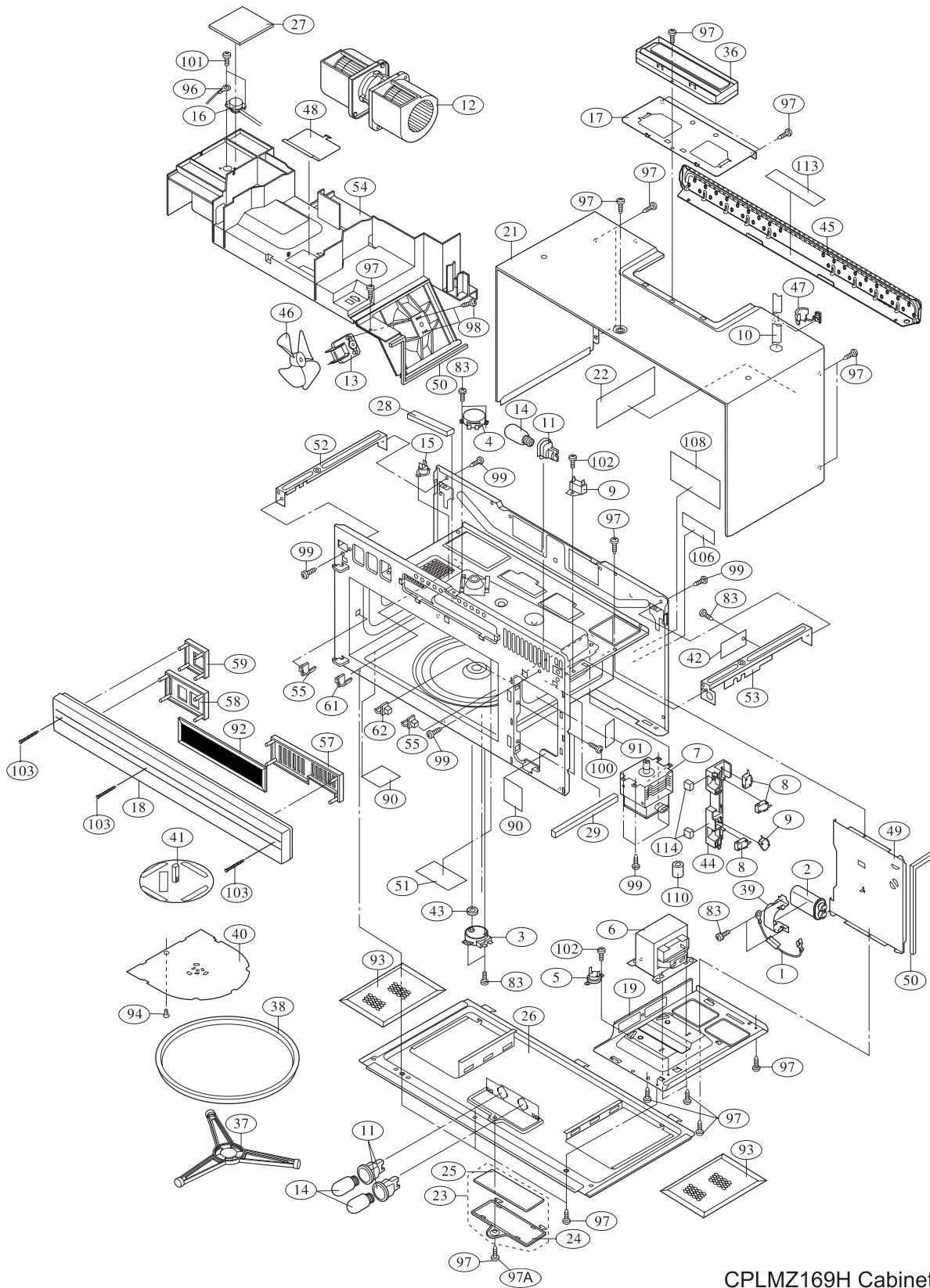
Publication No.
5995518791
08/07/15
(EN/SERVICE/KC)
099

**OVER-RANGE
MICROWAVE**

Model No.
CPLMZ169H

Copyright © 2008 Electrolux Home Products, Inc.
All rights reserved.

OVEN, CABINET

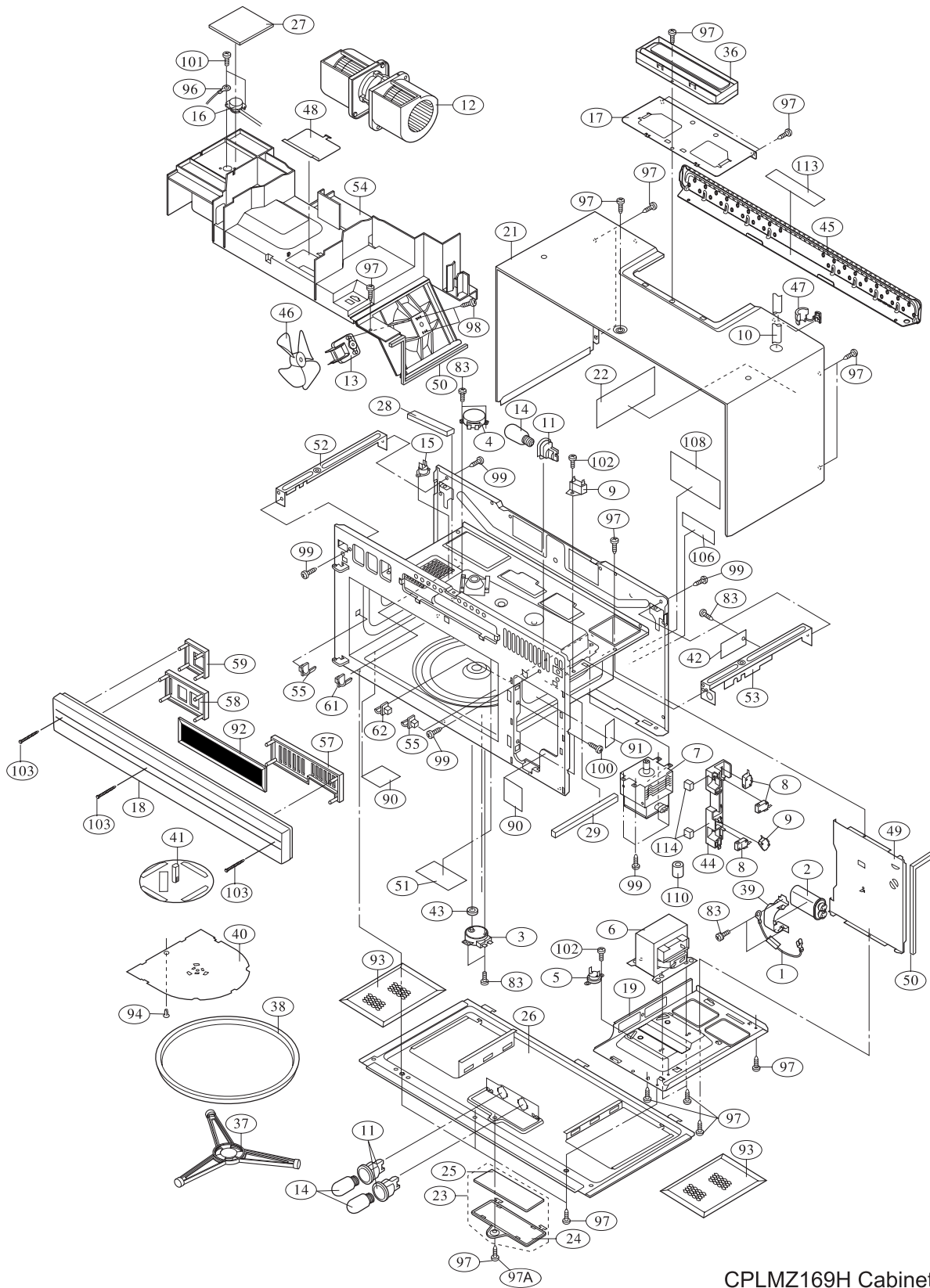


CPLMZ169H Cabinet

OVEN,CABINET

POS. NO	PART NO.	DESCRIPTION
1 #	5304467670	Rectifier, high voltage
2 #	5304468223	Capacitor
3 #	5304448488	Motor, turntable
4 #	5304448489	Motor, stirrer fan
5 #	5304440023	Thermal Cutout, hood
6 #	5304468156	Transformer, power
7 #	5304463439	Magnetron
8 #	5304440026	Switch, interlock, door sensor
9 #	5304468224	Switch, monitor, w/ceramic fuse
10 #	5304440028	Power Cord, electric
11 #	5304461117	Socket, oven lamp
12 #	5304440029	Motor, hood fan
13 #	5304448490	Motor, cooling fan
14	5304440031	Lamp, incandescent, 20 W, (3)
15 #	5304440032	Thermal Cutout, oven cavity
16 #	5304440033	Sensor, humidity, cook control
17	5304468162	Plate, rear stay
18	5304468160	Grille, exhaust, stainless steel
19	5304468161	Plate, base, right
21	5304468164	Cabinet, outer casing, black
22	5304468225	Wiring Diagram, schematic, label
23	5303319573	Lens/Frame Assy, lamp
24	5303319574	Frame, lens holder
25	5303319575	Lens, cooktop lamp, glass
26	5304468168	Cover, unit base, black
27	5304468170	Cushion, hood duct
28	5304468173	Cushion, top panel, rubber
29	5304451500	Cushion, magnetron
36	5304464343	Damper Assembly, exhaust
37	5304467717	Support Assy, turntable, roller
38	5304440285	Tray, turntable, glass
39	5304468174	Retainer, capacitor strap
40	5304468175	Cover, stirrer fan
41 #	5304468176	Stirrer Assembly
42 #	5303322968	Filter, noise, electronic
43	5304467718	Bushing, motor shaft, turntable
44	5304440289	Latch Hook
45	5304468135	Bracket, mounting plate, rear
46 #	5304468177	Fan Blade, mag cooling fan
47	5304467721	Bushing, grommet, power cord
48	5304468178	Cover, oven lamp
49	5304468179	Duct, hood intake, right side
50	5304468180	Cushion, intake duct, seal
51	5304467727	Lens, lamp filter
52	5304468181	Support, chassis, left side
53	5304468182	Support, chassis, right side
54	5304468183	Duct, exhaust hood
55	5304467733	Support, rack, front
57	5304468184	Cover A, grille louver
58	5304468185	Cover B, grille louver
59	5304468186	Cover C, grille louver

OVEN, CABINET

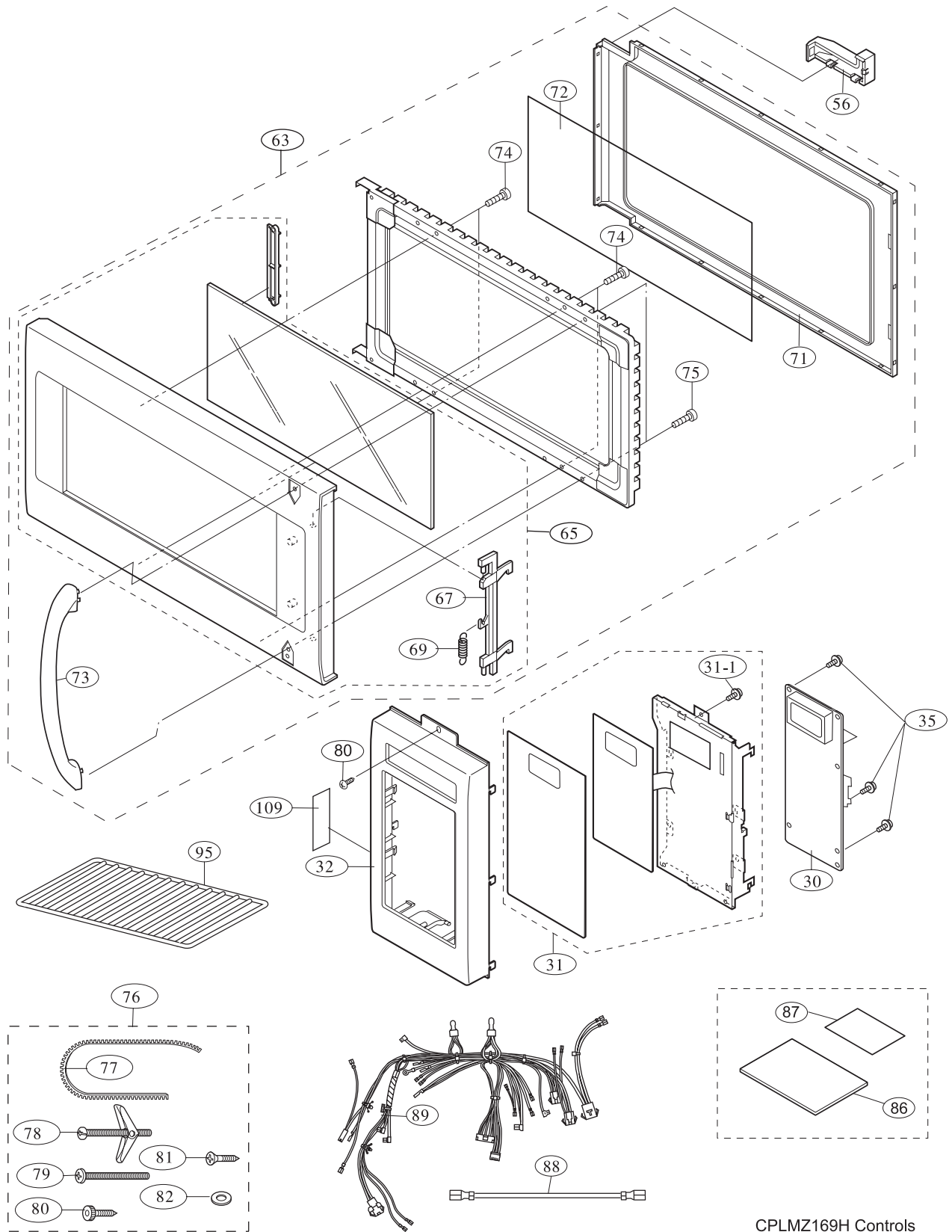


CPLMZ169H Cabinet

OVEN,CABINET

POS. NO	PART NO.	DESCRIPTION
61	5304467762	Support, rack, left rear
62	5304467763	Support, rack, right rear
83	5304451550	Screw, 4 mm x 8 mm
90	5304468226	Label, Caution-DHHS
91	5304468227	Label, Caution-monitor
92	5304440335	Filter, inside exhaust, charcoal
93	5303319568	Filter, grease, (2)
94	5304467773	Clip, canoe type, stirrer cover
96 #	5304467828	Wire, ground
97	5304451552	Screw, 4 mm x 8 mm, white
97A	5304467777	Screw, 4 mm x 8 mm, black
98	5304462315	Screw, 4 mm x 12 mm, ground
99	5304467780	Screw, 4 mm x 8 mm, Tap Tight
100	5303319641	Screw
101	5304467778	Screw, 3 mm x 8 mm
102	5304467781	Screw, 3 mm x 6 mm
103	5304468189	Screw, black
106	5304468229	Label, Ground-Caution
108	5304468230	Label, HWC Caution
110	5304468222	Clamp, ferrite
113	5304468231	Label, installation, caution
114	5304467769	Cushion, latch hook, pad

CONTROL PANEL, DOOR, MISC.



CPLMZ169H Controls

CONTROL PANEL,DOOR,MISC.

POS. NO	PART NO.	DESCRIPTION
30 #	5304468192	Control Board, printed circuit
31 #	5304468212	Control Panel Assy, w/touch pad
31-1	5304456930	Screw, 3 mm x 10 mm
32	5304461361	Frame, control panel, stainless steel
35	5304467710	Screw, 3 mm x 8 mm
56	5304468199	Door Stop
63 #	5304461371	Door Assy, stainless, w/handle
65	5304468210	Frame Assembly, door, stainless
67	5304440314	Latch, door
69	5304440316	Spring, door latch
71	5304440320	Frame, choke cover, inner door
72	5304440321	Seal, door, film
73	5304456145	Handle, door, stainless steel
74	5304468233	Screw, 4 mm x 8 mm
75	5304468213	Screw, 4 mm x 15 mm
76	5304467765	Hardware Kit, installation
77	5303318761	Sleeve, power cord, grommet
78	5303318762	Screw, toggle
79	5304453895	Screw, 5mm x 85mm
80	5304451552	Screw, 4 mm x 8 mm, white
81	5304453723	Screw, 5mm x 35mm
82	5304453724	Washer
86	5304468216	Template, installation, top
87	5304468217	Template, installation, wall
88 #	5304468214	Wire, ground
89 #	5304468228	Wiring Harness, main
95	5304440338	Rack, microwave oven, wire
109	5304468232	Label, User Caution

WIRING SCHEMATIC

1. Off Condition

SCHEMATIC
NOTE: CONDITION OF OVEN
1. DOOR CLOSED
2. CLOCK APPEARS ON DISPLAY

NOTE: "★" indicates components with potentials above 250V

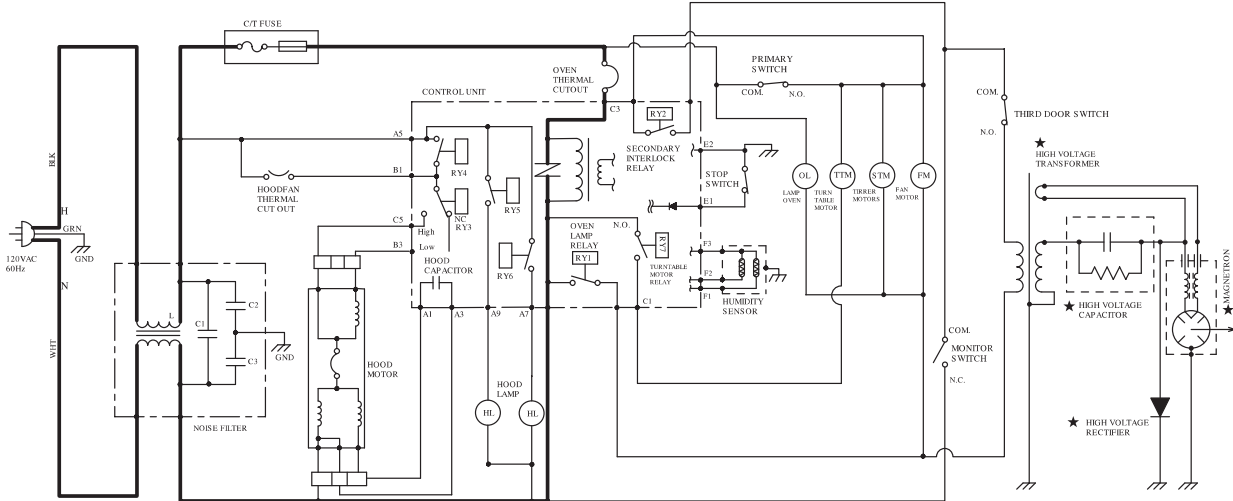


Figure O-1. Oven Schematic-Off Condition

2. Cooking Condition

SCHEMATIC
NOTE: CONDITION OF OVEN
1. DOOR CLOSED.
2. COOKING TIME PROGRAMMED.
3. VARIABLE COOKING CONTROL "P-HI".
4. START PAD TOUCHED.

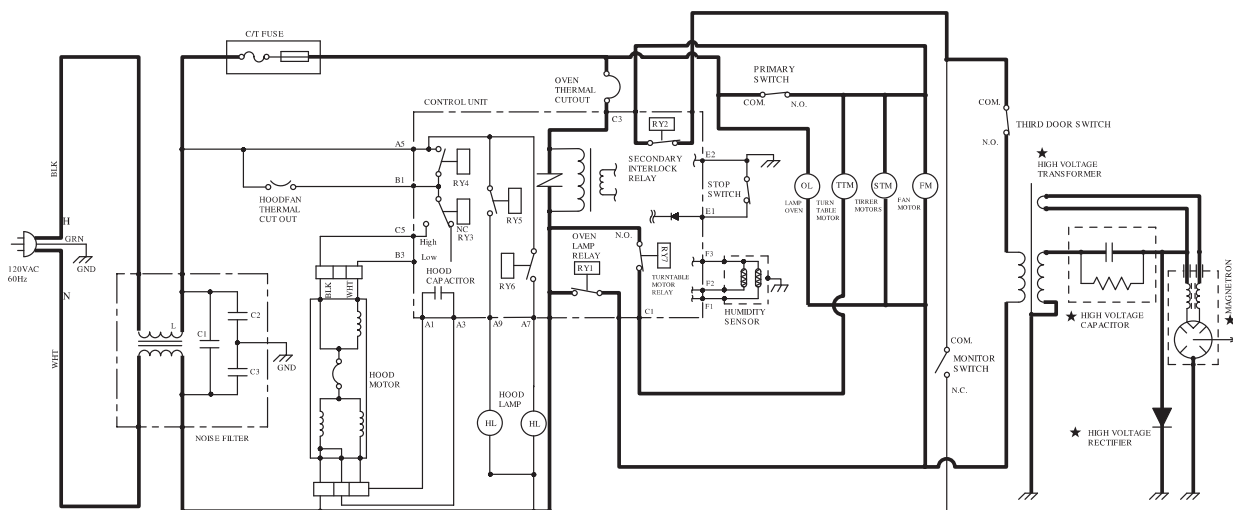


Figure O-2. Oven Schematic-Cooking Condition

CGLMV169H Wiring