

**INSTALLER: LEAVE THESE INSTRUCTIONS WITH THE HOMEOWNER.
HOMEOWNER: RETAIN THESE INSTRUCTIONS FOR FUTURE REFERENCE.**

Wiring Diagrams are included in this package.



INSTALLATION INSTRUCTIONS

FOR 30" GAS BUILT-IN SURFACE UNIT

Before you begin, read the following instructions completely and carefully. If followed, they will simplify the installation job.

IMPORTANT: OBSERVE ALL GOVERNING CODES AND ORDINANCES.

FOR YOUR SAFETY...

IF YOU SMELL GAS:

- 1. OPEN WINDOWS.**
- 2. DON'T TOUCH ELECTRICAL SWITCHES.**
- 3. EXTINGUISH ANY OPEN FLAME.**
- 4. IMMEDIATELY CALL YOUR GAS SUPPLIER.**

FOR YOUR SAFETY

DO NOT STORE OR USE GASOLINE OR OTHER FLAMMABLE VAPORS AND LIQUIDS IN THE VICINITY OF THIS OR ANY OTHER APPLIANCE.

INSTALLATION REQUIREMENTS

This installation must conform with the American National Standard, National Fuel Gas Code ANSI Z223.1-1980 * and local codes and ordinances.

MOBILE HOME INSTALLATION REQUIREMENTS ARE LISTED BELOW ON PAGE 4.

Input ratings shown on the rating plate (serial tag) are for elevations up to 2,000 feet. For elevations above 2,000 feet, ratings should be reduced at a rate of 4% for each 1,000 feet above sea level.

PROPER GAS SUPPLY

1. This unit is manufactured for use with NATURAL GAS. It can be converted for use on LP GAS. The rating plate located under the main top has the information on the type of gas this unit can be used with. When in doubt check with your local gas supplier.
2. Provide a gas supply line to the unit location. We suggest using a 3/4" rigid pipe, as smaller size pipe on long runs may result in the gas supply not being sufficient. Pipe joint compounds resistant to the action of LP gas must be used.
3. The supply line should be equipped with a shutoff valve. This valve should always be located in the same room as the range and should be in a location that allows ease of opening and closing. Do not block access to the shutoff valve.
4. If local codes permit, it is recommended that flexible metal tubing design-certified by the American Gas Association, be used for connecting the appliance to the gas supply line. (The gas valve connection will accept a 1/2" male pipe thread.)
5. If rigid pipe is used as a gas supply line, a combination of pipe fittings must be used to obtain an in-line connection to the unit.
6. The gas pressure regulator on this model is convertible and must be used. This regulator can be used on either NATURAL or LP gases. The pressure regulator has fixed outlet pressure at NATURAL and LP settings and these cannot be changed. The fixed outlet pressure on NATURAL gas setting is 4 inches W.C. On the LP gas setting the outlet pressure is 10 inches W.C.

* Copies of the standard listed above may be obtained from:

AMERICAN GAS ASSOCIATION
1515 Wilson Boulevard
Arlington, Virginia 22209

INLET PRESSURE

The inlet pressure to the regulator should be as follows for both operation and checking regulator setting:

NATURAL GAS:

Minimum pressure 5 inches W.C.
Maximum pressure 14 inches W.C.

LP GAS:

Minimum pressure 11 inches W.C.
Maximum pressure 14 inches W.C.

LINE PRESSURE TESTING

a. Testing ABOVE 1/2 Pound Per Square Inch (Gauge)

The appliance and its individual shutoff valve must be disconnected from the gas supply piping system during any pressure testing of that system at test pressures in excess of 1/2 psig.

b. Testing AT 1/2 Pound Per Square Inch (Gauge) OR LOWER

The appliance must be isolated from the gas supply piping system by closing its individual manual shutoff valve during pressure testing of the gas supply piping system at test pressure equal to or less than 1/2 psig.

To convert from NATURAL to LP gas.

- Change pressure regulator setting from NATURAL to LP (See To Convert Pressure Regulator.)
- Screw the burner orifices hoods down tight against the orifice pins. DO NOT OVER TORQUE.
- Top burner pilots (for models with pilot ignition only) adjust top burner pilot to be approximately 1/4-inch high.
- Adjust the burner air shutters to the widest opening that will not cause the flame to lift or blow off of the burner.

To convert the pressure regulator. Note: The type of gas for which the regulator is set is stamped on the aluminum plug on the top of the regulator (either NAT. or LP).

To change the regulator setting:

Remove the aluminum hex nut (plug) with a wrench or coin. Turn the hex nut or plug over and screw it back into the regulator. Caution: Do not over tighten.

If the unit is to be used on a NATURAL gas, NAT should be visible on the regulator plug. If the unit is to be used on LP gas, LP should be visible on the regulator plug.

OBSERVE ALL GOVERNING CODES AND ORDINANCES

ELECTRICAL REQUIREMENTS

**FOR ELECTRIC IGNITION MODELS ONLY:
POLARIZED OUTLET MUST BE INSTALLED IN REAR WALL BELOW UNIT, VISIBLE THROUGH CABINET DOORS BELOW UNIT. (DISCONNECT ELECTRIC SUPPLY BEFORE SERVICING)**

A 115 Volt, 60 Hz, AC only, 15 Ampere fused electrical supply is required (time delay fuse or circuit breaker is recommended). It is recommended that a separate circuit serving only this appliance be provided. DO NOT use an extension cord.

RECOMMENDED GROUNDING METHOD

Electrical ground is required on this appliance.

DO NOT, UNDER ANY CIRCUMSTANCES, CUT OR REMOVE THE POWER SUPPLY CORD GROUND PRONG.

NOTE!

**POWER CORD LOCATED ON RIGHT SIDE-CENTER OF UNIT.
(SPARK IGNITION MODELS)**

For your personal safety, electric ignition model must be grounded. This appliance is equipped with a power supply cord having a 3-prong grounding plug. To minimize possible shock hazard, the cord must be plugged into a mating 3-prong grounding type wall receptacle, grounded in accordance with the National Electrical Code, ANSI/NFPA NO. 70-1981** and local codes and ordinances. If a mating wall receptacle is not available, it is the personal responsibility and obligation of the customer to have a properly grounded 3-prong wall receptacle installed by a qualified electrician. See Figure 2.1.

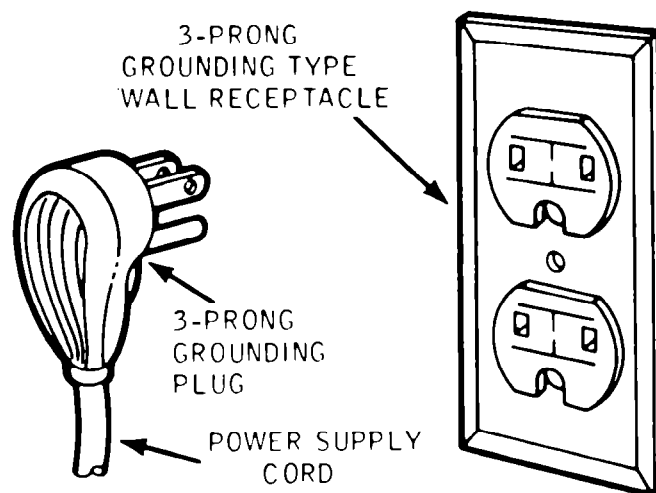


FIGURE 1

**Copies of the standard listed above may be obtained from:

NATIONAL FIRE PROTECTION ASSOCIATION
470 Atlantic Avenue
Boston, Massachusetts 02210

SPACE REQUIREMENTS

1. MINIMUM HORIZONTAL DISTANCES FROM SIDES AND BACK OF UNIT TO ADJACENT VERTICAL COMBUSTIBLE WALLS EXTENDING ABOVE THE COOK TOP: $\frac{1}{2}$ -INCH FROM THE RIGHT SIDE WALL, $2\frac{1}{4}$ -INCHES FROM THE LEFT SIDE WALL, 3 INCHES FROM REAR WALL
2. THE MINIMUM SPACING BETWEEN TWO INDIVIDUAL BUILT-IN SURFACE UNITS IS 4 INCHES.
3. MAXIMUM DEPTH OF OVERHEAD CABINETS IS 13".

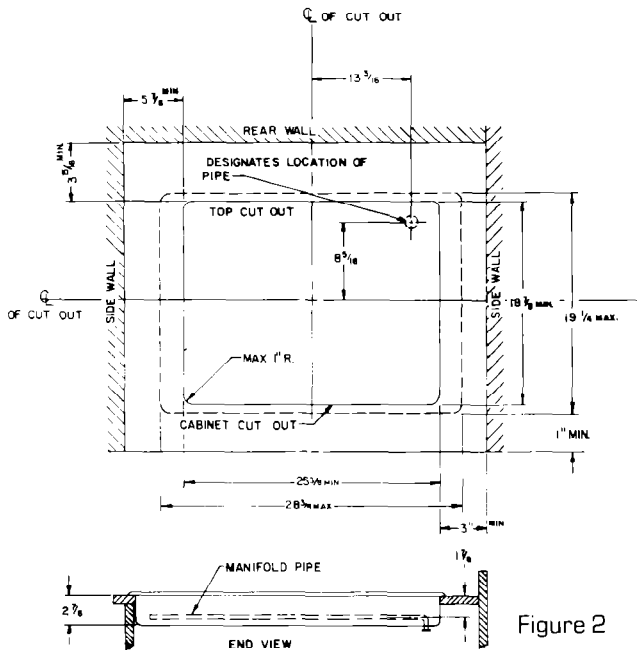


Figure 2

REMOVE PACKING MATERIAL

Remove all packing material, tape and protective film on some chrome plated or stainless steel parts before unit is installed.

INSTALLATION PROCEDURE

1. Mount hinges to main top as shown in Figure 3. NOTE: Hinges and attaching bolts, nuts, washer are in plastic bag inside of burner box.

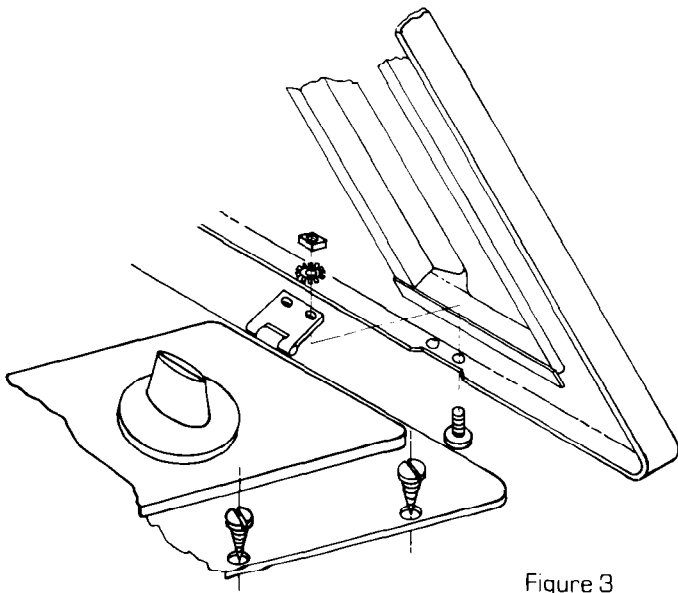


Figure 3

2. Set unit in cutout opening.
3. Connect the gas supply line. When the unit is connected, and all gas valves have been closed, turn on main supply, but before lighting unit or putting it to use, test all supply line connections and unit itself for leaks. This unit has been factory tested for leaks, but sometimes connections work loose in transit. **NEVER TEST FOR LEAKS WITH A LIGHTED MATCH OR OTHER FLAME.** Apply a thin solution of soapy water, if any leaks are present, bubbles will form at the point of leakage. If a leak is discovered it must be stopped before the unit is put into operation. Joint compounds used must be resistant to the action of liquified petroleum gases.
4. Plug the unit's power supply cord (if so equipped) into grounded receptacle.
5. Remove four (4) shipping screws from burners and use them with the six (6) additional screws (from same plastic bag in which hinges were packed) to attach burner box flanges to counter top, as shown in Fig. 4.

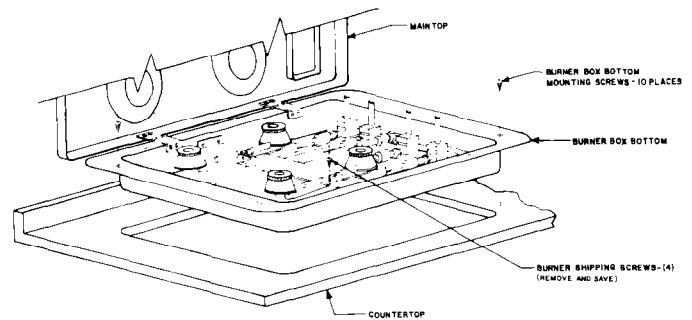


Figure 4

GAS ADJUSTMENTS

When unit is installed, adjust the top burner pilots to $\frac{1}{4}$ -inch in height. Refer to Use & Care Guide to light pilots. Correctly adjusted and top burner flames are shown below:

SURFACE BURNER PILOT



Adjust the burner air shutters to the widest opening that will not cause the flame to lift or blow off of the burner.

SURFACE BURNER OPERATION FOR ELECTRIC IGNITION MODELS ONLY

1. Push in and turn knob counterclockwise to the "start" position.
2. When the burner lights, turn the knob clockwise to the desired setting. **Do not leave the knob in the maximum counterclockwise position once the burner lights.**
3. If the flame should go out during the cooking operation, turn burner off. If gas has accumulated and a strong odor is detected, wait five minutes for odor to disappear. To relight burners repeat steps 1 and 2 above.

WARNING:

Due to safety considerations the following precautions should be observed:

1. The top burner flame size should be adjusted so that it does not extend beyond the edge of the cooking utensil.
2. Storage in cabinets above the range can be potentially

hazardous due to heat and to the fact that children might climb on the unit to reach cabinets.

3. Do not use the burners for space heating.

WIRING DIAGRAM LOCATION

Wiring diagram is located on the under side of the of the control panel inlay and with these instructions please examine before attempting service work.

INSTRUCTIONS FOR DISCONNECTING POWER SUPPLY:

Unplug power supply cord through cabinet access below unit.

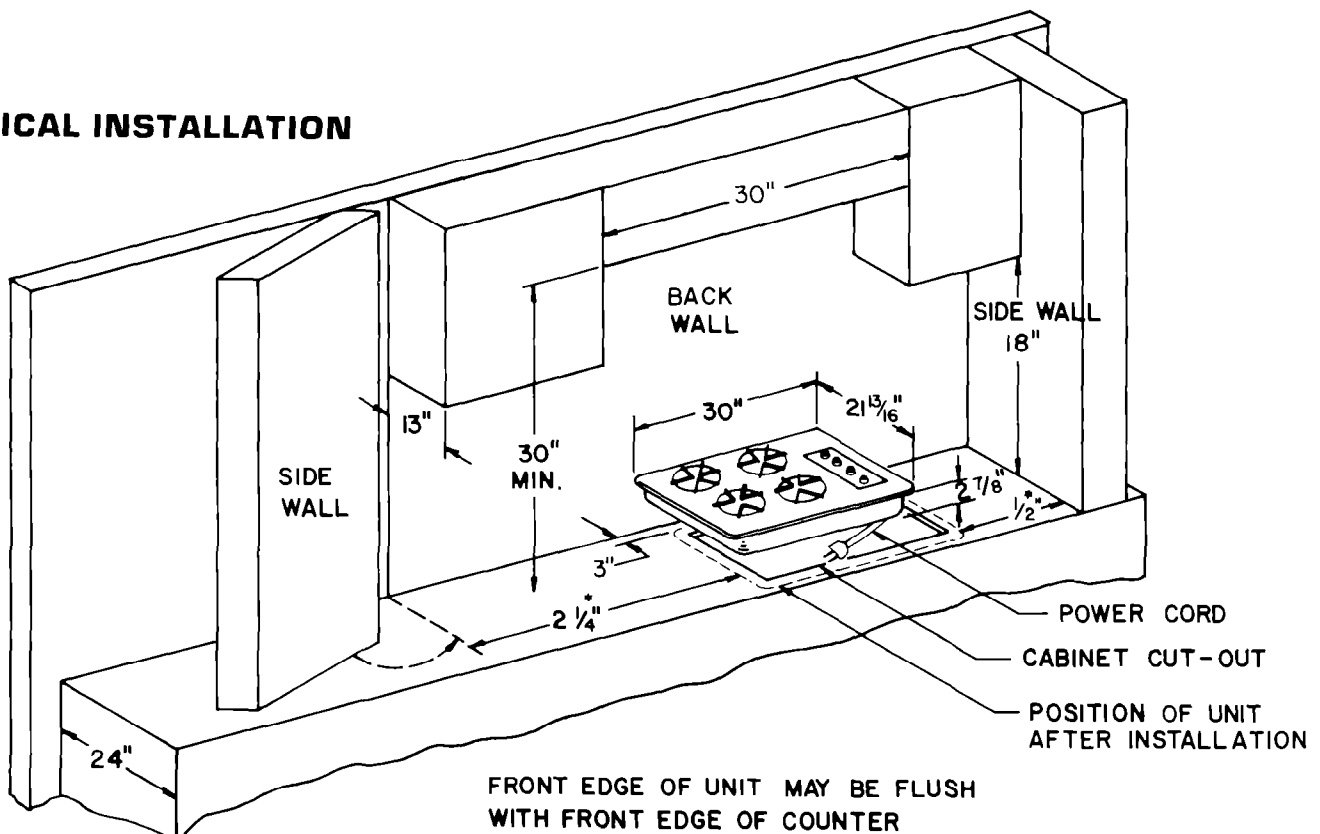
FOR INSTALLATION IN MOBILE HOME

If unit is installed in a mobile home the installation must conform with the Federal Standard for Mobile Home Construction and Safety, Title 24, HUD (Part 280) or, when such standard is not applicable, with local codes.


TO RECONVERT RANGE FROM LP TO NAT. GAS

1. Change pressure regulator setting from LP to NAT. (See To Convert Pressure Regulator).
2. Screw the burner orifice hoods away from the orifice pins.
3. Top burner pilots (for models with pilot ignition only) adjust top burner pilot to be approximately 1/4-inch high.
4. Adjust the burner air shutters to the widest opening that will not cause the flame to lift or blow off of the burner.

TYPICAL INSTALLATION



• THESE DIMENSIONS ARE NOT PROPORTIONAL TO DRAWING



Whirlpool
TECH-CARE
FRANCHISED SERVICE

In the event your WHIRLPOOL appliance should need service, call the dealer from whom you purchased the appliance or a WHIRLPOOL franchised TECH-CARE® service company. He is in the Yellow Pages of your telephone directory listed under: Appliance - Household - Major - service and repair. You can also obtain his name and number by dialing free, within the continental United States (except Alaska) the Whirlpool COOL-LINE® Service (800) 253-1301. When calling from Michigan, dial (800) 632-2243. From Alaska or Hawaii, dial (800) 253-1121. Dial just as you normally dial long distance. A special operator will tell you the name and number of your nearest Whirlpool TECH-CARE service outlet. During normal working hours, Whirlpool consultants at this same number will also answer any questions about operating or maintaining your appliance which are not covered in your Use and Care Guide.

Learn the benefits of using TECH-CARE service for maintaining the quality originally built into your WHIRLPOOL appliance.

