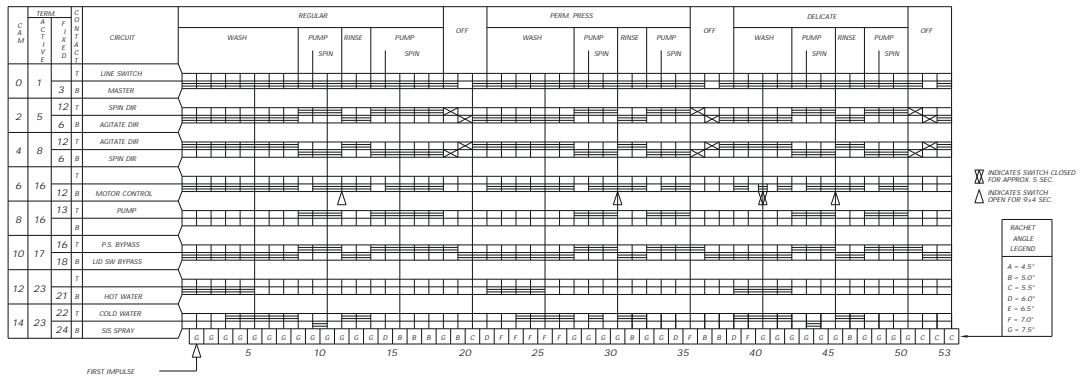
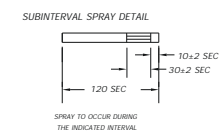
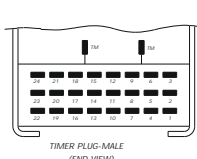
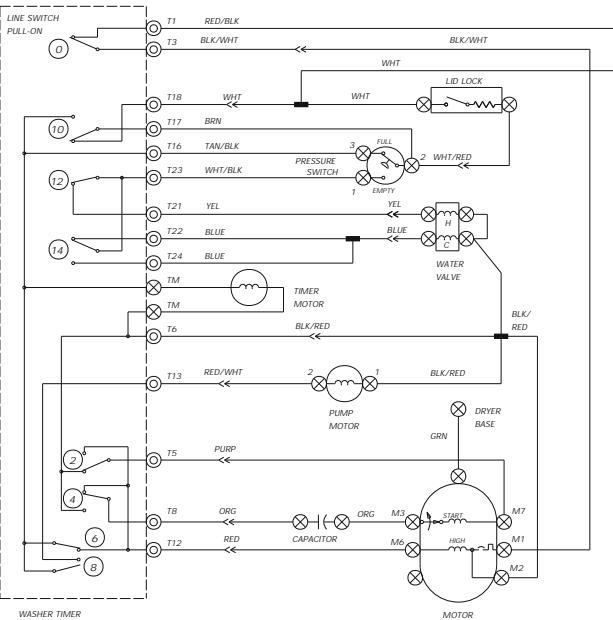


CAUTION: DISCONNECT ELECTRIC CURRENT BEFORE SERVICING. LABEL ALL WIRES PRIOR TO DISCONNECTION WHEN SERVICING CONTROLS. WIRING ERRORS CAN CAUSE IMPROPER AND DANGEROUS OPERATION. VERIFY PROPER OPERATION AFTER SERVICING.



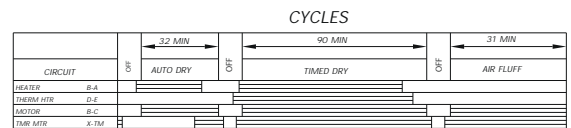
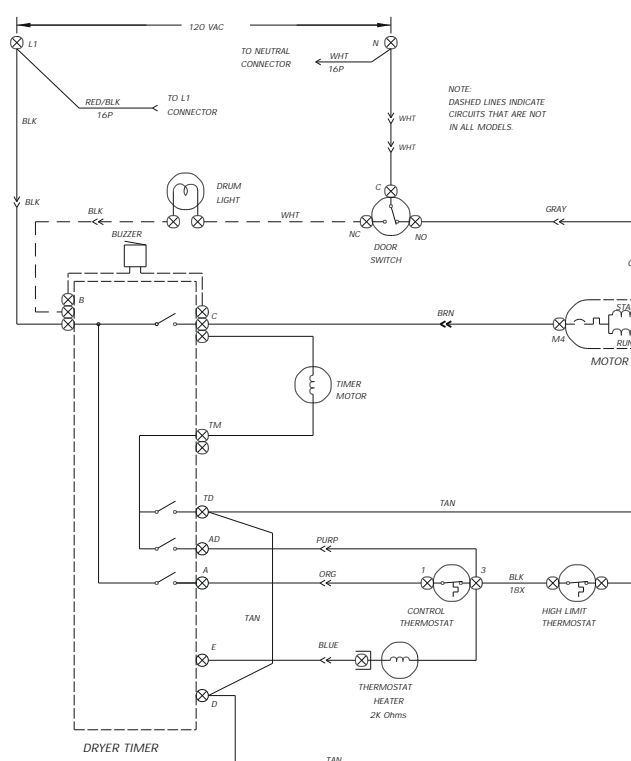
CIRCLED NUMBERS INDICATE CAM



WIRING CODES

- ⊙ PLUG-IN TIMER
- ⊗ QUICK DISCONNECT TERMINAL
- CONNECTION
- NO CONNECTION
- ⊕ MOTOR SWITCH
- SPICE
- ⊕ MOTOR PROTECTOR
- ⊕ CHASSIS (CABINET) GROUND
- ⊕ SCREW TERMINAL
- HARNESS CONNECTOR TERMINAL
- ⊕ INSULATED TERMINAL

- NOTES:**
- ALL WIRING MUST CONFORM TO LOCAL ELECTRICAL CODES.
 - CONNECT DRYER TO 15 AMP INDIVIDUAL BRANCH CIRCUIT.
 - DRYER TIMER SHOWN IN OFF POSITION. DOOR SWITCH CLOSED, MOTOR AT REST, AN THERMOSTAT CLOSED.
- WASHER TIMER SHOWN IN ON POSITION AND PRESSURE SWITCH FULL.



THE BAR CHART ABOVE REPRESENTS ONE COMPLETE REVOLUTION OF TIMER SHAFT.

SHADED PORTION OF BAR CHART INDICATES THE PROPORTIONAL TIMES THAT INTERNAL TIMER CONTACTS ARE CLOSED.

WIRE SPECIFICATIONS

CODE	WIRE GAUGE A.W.G.	INSULATION MATERIAL
18P	18	
16P	16	105°C PNC (POLYVINYLCHLORIDE)
14P	14	
18X	18	125°C X-LINK

NOTE: ALL UNSPECIFIED WIRE CODES ARE 18P.