

# INSTALLATION INSTRUCTIONS

## 36" GAS RANGE

**INSTALLATION AND SERVICE MUST BE PERFORMED BY A QUALIFIED INSTALLER.  
IMPORTANT: SAVE FOR LOCAL ELECTRICAL INSPECTOR'S USE.  
READ AND SAVE THESE INSTRUCTIONS FOR FUTURE REFERENCE.**

**⚠ WARNING** FOR YOUR SAFETY: Do not store or use gasoline or other flammable vapors and liquids in the vicinity of this or any other appliance.



### Table of Contents

Important Safety Instructions.....	2-4	Install Oven Racks.....	11
Product Dimensions .....	5	Level the Range .....	11
Cabinet Dimensions .....	6	Install Anti-Tip Bracket.....	12-13
Cabinet Construction.....	7	Prepare Burner Assemblies.....	14-15
Electrical Requirements.....	7-8	Adjust Oven Burners .....	15
Power Supply Cord.....	8	Check Oven Operation.....	16
Fuel Supply Requirements .....	9	After Installation.....	16
Connect Fuel Supply .....	10	Serial Plate Location (Model & Serial Number).....	16

### Important Notes to the Installer

1. Read all instructions contained in these installation instructions before installing range.
2. Remove all packing material from the oven and the drawer compartments before connecting the electrical supply to the range.
3. The anti-tip bracket supplied with the appliance must be installed.
4. Observe all governing codes and ordinances.
5. Be sure to leave these instructions with the consumer.

### Important Note to the Consumer

1. Keep these instructions with your owner's guide for future reference.
2. When using any appliance generating heat, there are safety precautions you must follow. These precautions are explained in your Use and Care manual. Read your manual carefully.
3. Be sure your appliance is installed and grounded by a qualified installer or service technician.

# 36" GAS RANGE INSTALLATION INSTRUCTIONS

## IMPORTANT SAFETY INSTRUCTIONS

**This appliance must be installed, grounded, and serviced by a qualified installer or service technician.**

This manual contains important safety symbols and instructions. Please pay attention to these symbols and follow all instructions given. Do not attempt to install or operate your appliance until you have read the safety precautions in this manual. Safety items throughout this manual are labeled with a WARNING or CAUTION statement based on the risk type.

Warnings and important instructions appearing in this guide are not meant to cover all possible conditions and situations that may occur. Common sense, caution, and care must be exercised with installing, maintaining, or operating your appliance.

**⚠** This is the safety alert symbol. It is used to alert you to potential personal injury hazards. Obey all safety messages that follow this symbol to avoid possible injury or death.

**⚠ WARNING** Indicates a potentially hazardous situation which, if not avoided, may result in death or serious injury.

**⚠ CAUTION** Indicates a potentially hazardous situation which, if not avoided, may result in minor or moderate injury.

**IMPORTANT:** Indicates installation, operation, maintenance, or valuable information that is not hazard related.

### **⚠ WARNING** Tip Over Hazard

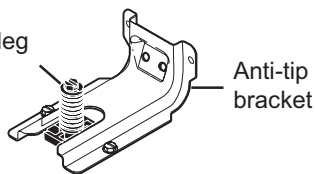


- A child or adult can tip the range and be killed.
- Verify the anti-tip device has been installed to floor or wall.

- Ensure the anti-tip device is re-engaged to floor or wall when the range is moved.
- Do not operate the range without the anti-tip device in place and engaged.
- Failure to follow these instructions can result in death or serious burns to children and adults.



Range leveling leg



To check if the anti-tip bracket is installed properly, use both arms to grasp the rear edge of the range back. Carefully attempt to tilt range forward. When properly installed, the range should not tilt forward.

Refer to the anti-tip bracket installation instructions supplied with your range for proper installation.

**⚠ WARNING** If the information in this manual is not followed exactly, a fire or explosion may result causing property damage, personal injury or death.

### FOR YOUR SAFETY:

- Do not store or use gasoline or other flammable vapors and liquids in the vicinity of this or any other appliance.
- WHAT TO DO IF YOU SMELL GAS:
  - Do not try to light any appliance.
  - Do not touch any electrical switch; do not use any phone in your building.
  - Immediately call your gas supplier from a neighbor's phone. Follow the gas supplier's instructions.
  - If you cannot reach your gas supplier, call the fire department.
- Installation and service must be performed by a qualified installer, servicer or the gas supplier.

# 36" GAS RANGE INSTALLATION INSTRUCTIONS

## WARNING

- **Excessive Weight Hazard**--Use two or more people to move and install range. Failure to follow this instruction can result in back or other injury.
- **Storage In or On Appliance**—Flammable materials should not be stored in an oven or microwave, near surface burners or elements, or in the storage or warmer drawer (if equipped). This includes paper, plastic, and cloth items, such as cookbooks, plastic ware, and towels, as well as flammable liquids. Do not store explosives, such as aerosol cans, on or near the appliance.
- **Do not leave children alone** - Children should not be left alone or unattended in the area where appliance is in use. They should never be allowed to sit or stand on any part of the appliance, including the storage drawer, lower broiler drawer, warmer drawer, or lower double oven.
- Do not store items of interest to children in the cabinets above the appliance or on the backguards of ranges. Children climbing on or near the appliance to reach items could be seriously injured.
- Stepping, leaning, or sitting on the door or drawers of this appliance can result in serious injuries and also cause damage to the appliance.
- Do not use oven or warmer drawer (if equipped) for storage.
- Never use your appliance as a space heater to heat or warm the room. Doing so may result in carbon monoxide poisoning and overheating of the appliance.
- Do not store or use gasoline or other flammable vapors and liquids in the vicinity of this or any other appliance.
- Never cover any slots, holes, or passages in the oven bottom or cover an entire oven rack with any materials, such as aluminum foil or aftermarket oven liners. Aluminum foil and other liners may trap heat, causing a fire hazard.
- Air curtain or other overhead range hoods which operate by blowing a downward air flow onto a range or cooktop, shall not be used in conjunction with gas ranges or cooktops other than when the range or cooktop and hood have been designed, tested, and listed by an independent test laboratory for use in combination with each other.

## IMPORTANT INSTRUCTIONS FOR UNPACKING AND INSTALLATION

Read and follow the below instructions and precautions for unpacking, installing, and servicing your appliance:

- Destroy the carton and plastic bags after unpacking the appliance. Never allow children to play with packaging material. Do not remove the wiring label and other literature attached to the appliance. Do not remove model/serial number plate.

- Cold temperatures can damage the electronic control. When using this appliance for the first time, or when the appliance has not been used for an extended period of time, be sure the appliance has been in temperatures above 32°F (0°C) for at least 3 hours before turning on the power to the appliance.
- Never modify or alter the construction of the appliance by removing the leveling legs, panels, wire covers, anti-tip brackets/screws, or any other part of the appliance.
- Proper Installation—Be sure your appliance is properly installed and grounded by a qualified technician. In the United States, install in accordance with the National Fuel Gas Code ANSI Z223.1/NPFA No. 54, latest edition and National Electrical Code NFPA No. 70 latest edition, and local electrical code requirements. In Canada, install in accordance with CAN/CGA B149.1 and CAN/CGA B149.2 and CSA Standard C22.1, Canadian Electrical code, Part 1-latest editions and local electrical code requirements. Install only per installation instructions provided in the literature package for this appliance.
- The installation of appliances designed for manufactured (mobile) home installation must conform with Manufactured Home Construction and Safety Standard, title 24CFR, part 3280 [Formerly the Federal Standard for Mobile Home Construction and Safety, title 24, HUD (part 280)] or when such standard is not applicable, the Standard for Manufactured Home Installation 1982 (Manufactured Home Sites, Communities and Setups), ANSI Z225.1/ NFPA 501A-latest edition, or with local codes in United States and with CAN/CSA-Z240 MH in Canada.
- Before installing the range in an area covered with linoleum or any other synthetic floor covering, make sure the floor covering can withstand heat at least 90°F (32.2°C) above room temperature without shrinking, warping or discoloring. Do not install the range over carpeting unless you place an insulating pad or sheet of ¼" (0,64 cm) thick plywood between the range and carpeting.
- Make sure the wall coverings and cabinet materials around the range can withstand the heat generated by the appliance.
- To eliminate the risk of burns or fire by reaching over heated surface units, cabinet storage space above the surface unit should be avoided. If cabinet storage is to be provided the risk can be reduce by installing a range hood that projects horizontally a minimum of 5 inches beyond the bottom of the cabinet.
- Do not obstruct airflow at the oven vent, around the base, or beneath the lower front panel of the appliance. This appliance requires fresh air for proper operation.
- Be sure to have an appropriate foam-type fire extinguisher available, visible, and easily accessible located near the appliance.

# 36" GAS RANGE INSTALLATION INSTRUCTIONS

## SPECIAL INSTRUCTIONS FOR APPLIANCES INSTALLED IN THE STATE OF MASSACHUSETTS

This appliance can only be installed in the State of Massachusetts by a Massachusetts licensed plumber or gas fitter. When using a flexible gas connector, it must not exceed 3 feet (36 inches) in length. A "T" handle type manual gas valve must be installed in the gas supply line to this appliance.

### CONVERSION TO L.P. GAS

This appliance allows for conversion to Liquefied Petroleum (L.P.) Gas.

**⚠ WARNING** Personal injury or death from electrical shock may occur if the conversion to L.P. gas is not made by a qualified installer or electrician. Any additions, changes or conversions required in order for this appliance to satisfactorily meet the application needs must be made by a qualified technician.

If L.P. conversion is needed, contact your local L.P. Gas provider for assistance. The L.P. conversion kit is provided with this appliance and is located on the lower REAR (back side) panel of the range. Before installing the kit be sure to read the L.P. Installation Instructions and follow them carefully when making the installation.

## IMPORTANT INSTRUCTIONS FOR SERVICE AND MAINTENANCE

- Do not repair or replace any part of the appliance unless specifically recommended in the manuals. All other servicing should be done only by a qualified technician. This reduces the risk of personal injury and damage to the appliance.
- Always contact your dealer, distributor, service agent, or manufacturer about problems or conditions you do not understand.
- Ask your dealer to recommend a qualified technician and an authorized repair service. Know how to disconnect the power to the appliance at the circuit breaker or fuse box in case of an emergency.
- Remove the oven door from any unused oven if it is to be stored or discarded.
- Do not touch a hot oven light bulb with a damp cloth. Doing so could cause the bulb to break. Handle halogen lights (if equipped) with paper towels or soft gloves. Disconnect the appliance or shut off the power to the appliance before removing and replacing the bulb.

# 36" GAS RANGE INSTALLATION INSTRUCTIONS

## Product Dimensions

**⚠ WARNING** Do not install the unit in the cabinet before reading next two pages.

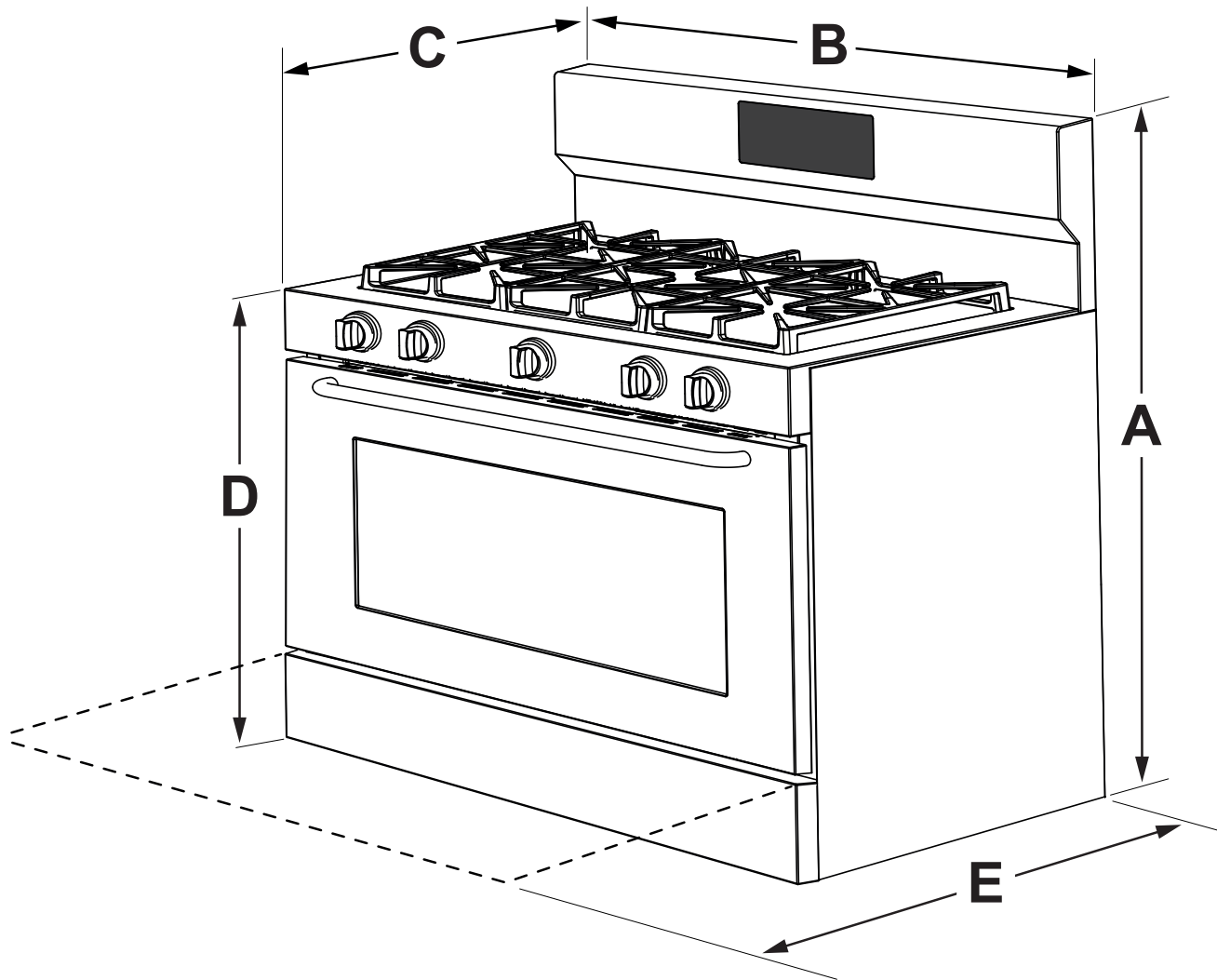


Figure 1: Product Dimensions

MODEL	A. HEIGHT	B. WIDTH	C. DEPTH TO FRONT OF RANGE	D. HEIGHT OF COOKTOP	E. DEPTH WITH DOOR OPEN
36"	49" (124.5cm) Max.	36" (91.4cm)	28 1/2" (72.4cm) Max.	36" (91.4cm) Max.	47 3/4" (121.3 cm)

# 36" GAS RANGE INSTALLATION INSTRUCTIONS

## Cabinet Dimensions

### Clearances and Dimensions

- Provide adequate clearances between the appliance and adjacent combustible surfaces.
- Location - Check location where the appliance will be installed. Check for proper electrical supply and floor stability.
- Dimensions shown must be used. Given dimensions provide minimum clearance. Contact surface must be solid and level.

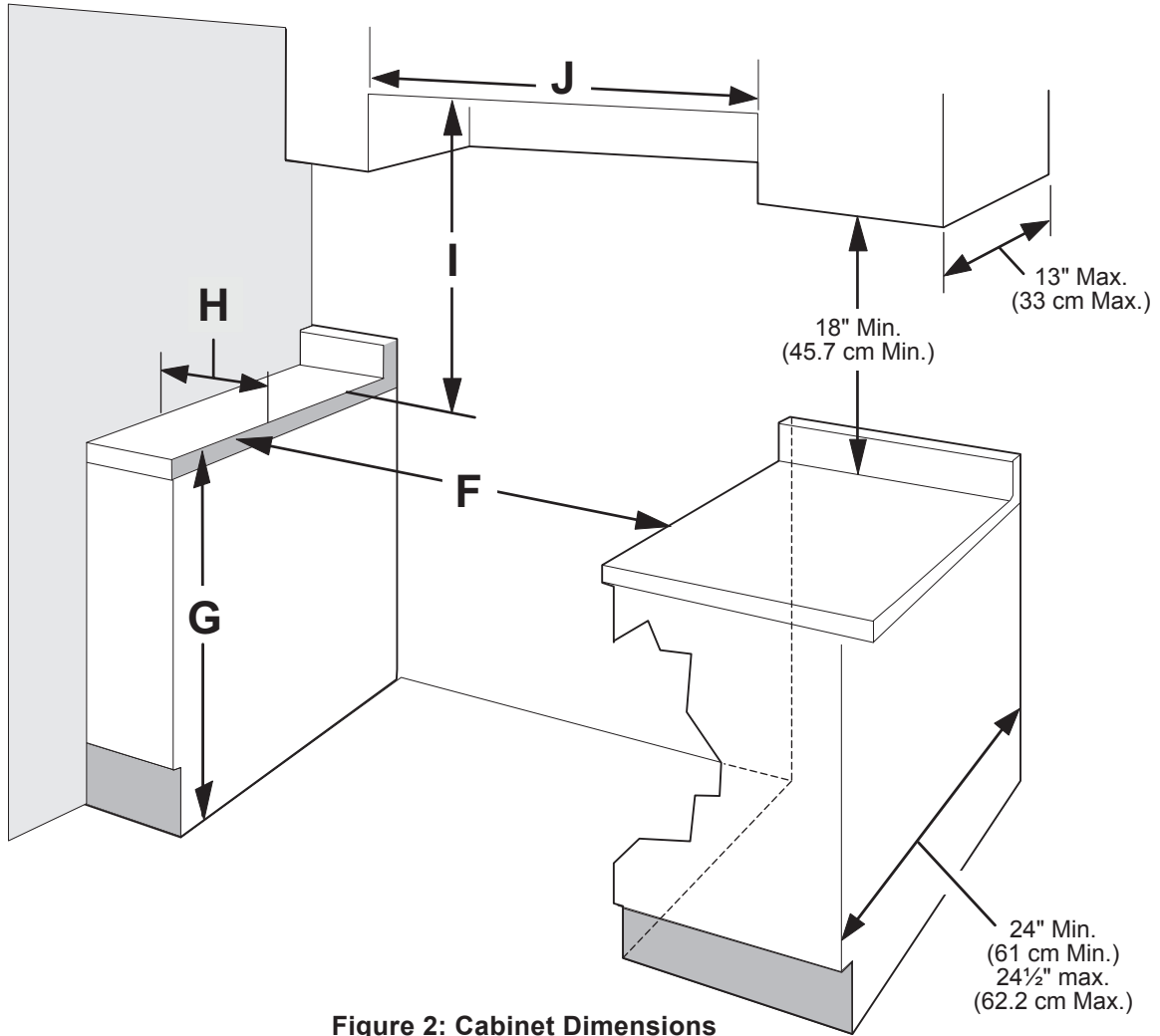


Figure 2: Cabinet Dimensions

MODEL	F. MINIMUM CUTOUT WIDTH	G. HEIGHT OF COUNTERTOP	H. CLEARANCE FROM SIDE WALLS <sup>2</sup>	I. CLEARNACE FROM COOKTOP AND CABINET BOTTOM <sup>3</sup>	J. CLEARANCE WIDTH OF OVERHEAD CABINETS
36"	36 1/4" (92.1cm)	36" (91.4cm) Standard 35 3/4" (90.8cm) Min.	5" (12.7cm) Min.	36" (91.4cm) Min.	36" (91.4cm) Min.

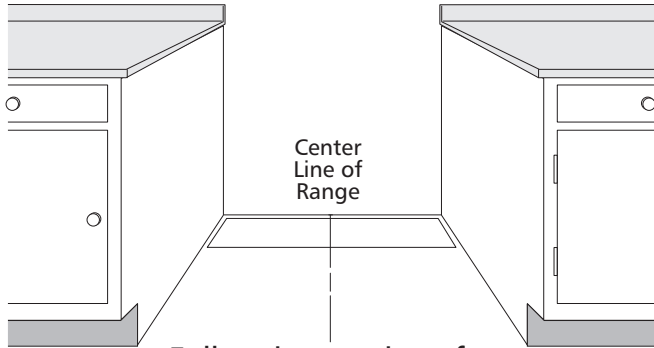
### NOTES:

1. Do not seal the range to the side cabinets.
2. Clearance from adjacent walls or other vertical surfaces or structures such as cabinets.
3. Measurements listed are minimum clearance between the cooktop and the bottom of the cabinet.
4. 0" clearance between range and cabinets or vertical surfaces that are below the cooktop height.
5. 0" clearance between range back and rear wall or cabinet.

# 36" GAS RANGE INSTALLATION INSTRUCTIONS

## 1 Cabinet Construction

**⚠ CAUTION** To eliminate the risk of burns or fire by reaching over heated surface units, do not have cabinet storage space above the range. If there is cabinet storage space above range, reduce risk by installing a range hood that projects horizontally a minimum of 5" (12.7 cm) beyond the bottom of the cabinet.



Follow instructions for the type of installation you have

Figure 3: Cabinet construction

### 1.1 Installation: Cabinet on Both Sides

1. If range will be installed with a cabinet on both sides, Draw a center line on the floor between the cabinets (Figure 3).
2. If back of range will not be flush with the wall (the location of the outlet may not allow the range to be positioned against the wall), draw a line on the floor where the back edge of the range will be.
3. Install anti-tip brackets (see "Anti-Tip Bracket Installation").

### 1.2 Installation: Cabinet on One Side Only

1. If range will be installed with a cabinet on one side only, move the range into final position.
2. Draw a line on the floor along the side of the range that is not against the cabinet. If back of range will not be flush with the wall (the location of the outlet may not allow the range to be positioned against the wall), draw a line on the floor where the back edge of the range will be.
3. Install anti-tip brackets (see "Anti-Tip Bracket Installation").

### 1.3 Installation: Without Cabinet

1. If range will not be installed against a cabinet, move range into final position.
2. Mark on the floor along both sides of the range. If back of range will not be flush with the wall (the location of the outlet may not allow the range to be positioned against the wall), draw a line on the floor where the back edge of the range will be.
3. Install anti-tip brackets (see "Anti-Tip Bracket Installation").

## 2 Electrical Requirements

### ⚠ WARNING

**Electrical Shock Hazard** –Electrical ground is required on this appliance. Use only the power cord supplied with the appliance. Improper connections and grounding may result in electric shock, damage to the appliance, personal injury, fire or death.

### Grounding Requirements

This appliance must be installed and grounded by a qualified technician.

In the United States, install in accordance with the National Fuel Gas Code ANSI Z223.1/NPFA No. 54, latest edition and National Electrical Code NFPA No. 70 latest edition, and local electrical code requirements. In Canada, install in accordance with CAN/CGA B149.1 and CAN/CGA B149.2 and CSA Standard C22.1, Canadian Electrical code, Part 1-latest editions and local electrical code requirements.

This appliance requires a dedicated, properly grounded and polarized branch circuit protected by a 15 amp GFI (ground fault interrupter) circuit breaker or time delay fuse. See serial plate for proper voltage.

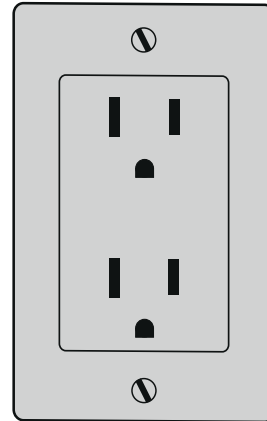


Figure 4: 3-Prong Grounded Electrical Outlet

For personal safety, this appliance must be properly grounded. For maximum safety, the power cord must be plugged into an electrical outlet that is the correct voltage, is correctly polarized and properly grounded in accordance with local codes. It is the personal responsibility of the consumer to have the appropriate outlet with the correct, properly grounded wall receptacle installed by a qualified electrician.

Be sure the wall receptacle is within reach of the appliance's final installed location.

Do not pinch the power supply cord between the range and the wall.

# 36" GAS RANGE INSTALLATION INSTRUCTIONS

## Recommended Wall Outlet Installation Locations

Suggested location of the wall outlet is shown in Figure 5. The outlet may also be located in the lower corner of the adjacent cabinets, as shown in Figure 6.

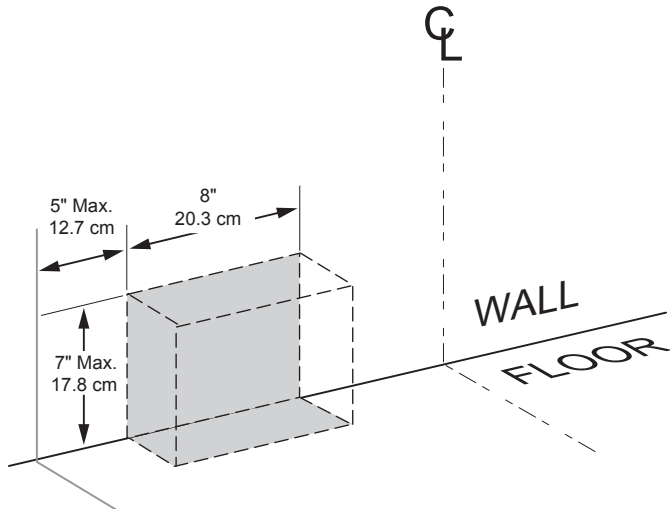


Figure 5: Outlet location behind range

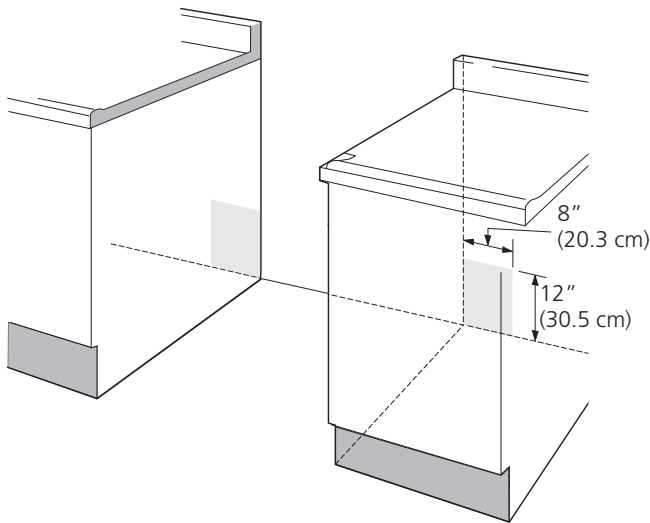


Figure 6: Adjacent cabinet outlet location

## 3 Power Supply Cord

### ⚠ WARNING

**Electrical Shock Hazard** –Do not attempt to install the appliance directly to a junction box, modify the factory-installed cord, or connect a different power cord to the appliance. If the wall outlet is not sufficient to support the requirements of this appliance, it is the responsibility of the consumer to have the appropriate outlet installed by an electrician. Improper installation and electrical connections can result in electric shock, damage to the appliance, personal injury, fire, or death.

This appliance is equipped with a 3-prong grounding plug for your protection against shock hazard and should be plugged directly into a properly grounded receptacle. Do not cut or remove the grounding prong from this plug.

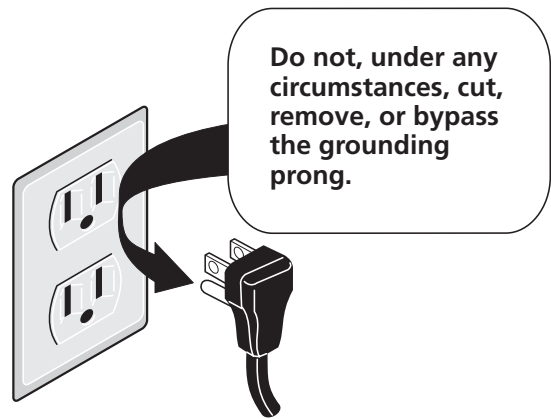


Figure 7: Factory connected power supply cord

For personal safety, the appliance must be properly grounded. For maximum safety, the power cord must be plugged into an electrical outlet that is correctly polarized and properly grounded.

If a 2-prong wall receptacle is the only available outlet, it is the personal responsibility of the consumer to have it replaced with a properly grounded 3-prong wall receptacle, installed by a qualified technician.



# 36" GAS RANGE INSTALLATION INSTRUCTIONS

## 4 Fuel Supply Requirements

This unit is designed to operate on 4" (10.16 cm) water column (1.0 kPa) natural gas manifold pressure.

A convertible pressure regulator is connected to the range manifold and **MUST** be connected in series with the gas supply line. The regulator is located as shown on Figure 8.

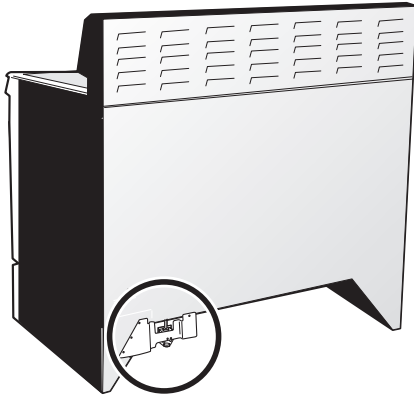


Figure 8: Regulator location

For proper operation, the maximum inlet pressure to the regulator should be no more than 14" (35.56 cm) of water column pressure (3.5 kPa).

The inlet pressure to the regulator must be at least 1" (0.25 kPa) greater than the regulator manifold pressure setting. The regulator is set for 4" (10.16 cm) water column (1.0 kPa) Natural gas manifold pressure; the inlet pressure must be at least 5" (12.60 cm) water column (1.25 kPa) Natural gas.

For operation at 2000 ft. above sea level, appliance rating is reduced by 4 percent for each additional 1000 ft.

### 4.1 Gas Supply Location

The gas supply piping can be through the side walls of the adjacent cabinets. Cabinets are ideal locations for the main shutoff valve if the appliance is installed between cabinets.

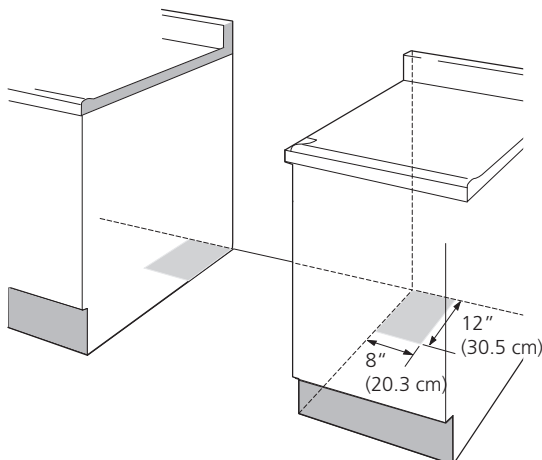


Figure 9: Recommended gas supply location

### 4.2 Shutoff Valve

The supply line should be equipped with an approved shutoff valve as shown in Figure 10. This valve should be located in the same room as the range and should be in a location that allows ease of opening and closing. Do not block access to the shutoff valve. The valve is for turning on or shutting off gas to the appliance.

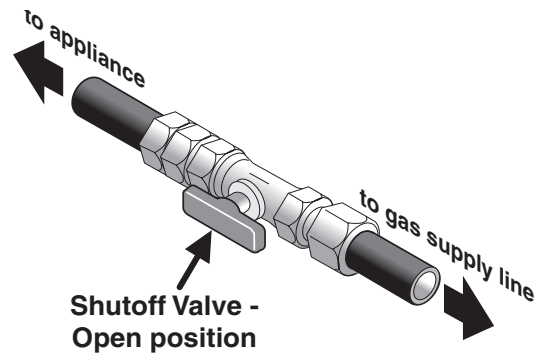


Figure 10: Shutoff valve

The gas supply between the shutoff valve and the regulator may be connected by rigid piping or by A.G.A./C.G.A.- approved flexible metallic union-connected piping where local codes permit use.

The user must know the location of the main shutoff valve and have easy access to it.

### 4.3 Conversion to Liquefied Petroleum (L.P.) Gas

This appliance allows for conversion to Liquefied Petroleum (L.P.) Gas.

**⚠ WARNING** Personal injury or death from electrical shock may occur if the conversion to L.P. gas is not made by a qualified installer or electrician. Any additions, changes or conversions required in order for this appliance to satisfactorily meet the application needs must be made by a qualified technician.

If L.P. conversion is needed, contact your local L.P. Gas provider for assistance. The L.P. conversion kit is provided with this appliance and is located on the lower REAR (back side) panel of the range. Before installing the kit be sure to read the L.P. Installation Instructions and follow them carefully when making the installation.

For LP/Propane gas, the regulator must be set for 10" (25.4 cm) water column (2.5 kPa) manifold pressure; the inlet pressure must be at least 11" (27.9 cm) water column (2.75 kPa).

# 36" GAS RANGE INSTALLATION INSTRUCTIONS

## 5 Connect Fuel Supply

### 5.1 Fuel Supply Connection

**⚠ WARNING** This appliance must be installed, grounded, and serviced by a qualified installer or service technician.

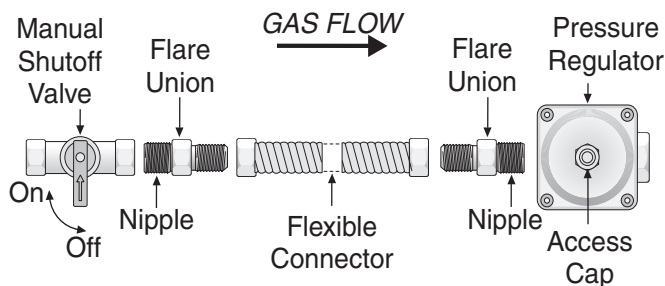
**⚠ CAUTION** Do not make connections too tight. The regulator is die cast. Overtightening may crack the regulator resulting in a gas leak and possible fire or explosion.

This appliance includes a regulator. The gas supply line requires the following parts which are not supplied with the appliance:

- Manual shutoff valve
- 1/2" nipples (2)
- 1/2" flare union adapter (2)
- Flexible connector

The gas supply line to the shutoff valve should be 1/2"(1.27 cm) or 3/4"(1.9 cm) solid pipe.

Install the gas supply pipe to the pressure regulator in the order shown in Figure 11. All connections should be tightened with a wrench.



**Figure 11: Fuel supply connection flow**

When using flexible gas conduit on the range, allow sufficient slack to pull the range outside the cutout for cleaning or servicing.

Use pipe-joint compound made for use with Natural and LP/Propane gas to seal all gas connections. If flexible connectors are used, be certain connectors are not kinked.

Do not allow the flexible conduit to get pinched between the wall and the range.

### 5.2 Check For Leaks

**⚠ WARNING** Do not use a flame to check for leaks from gas connections. Checking for leaks with a flame may result in a fire or explosion.

After connecting the range to the gas supply, check the system for leaks with a manometer. If a manometer is not available, turn on the gas supply and use a liquid leak detector (or soap and water) at all joints and connections to check for leaks. Leaks will be indicated by bubbles appearing at the connections or joints.

All openings in the wall or floor where the range is to be installed must be sealed.

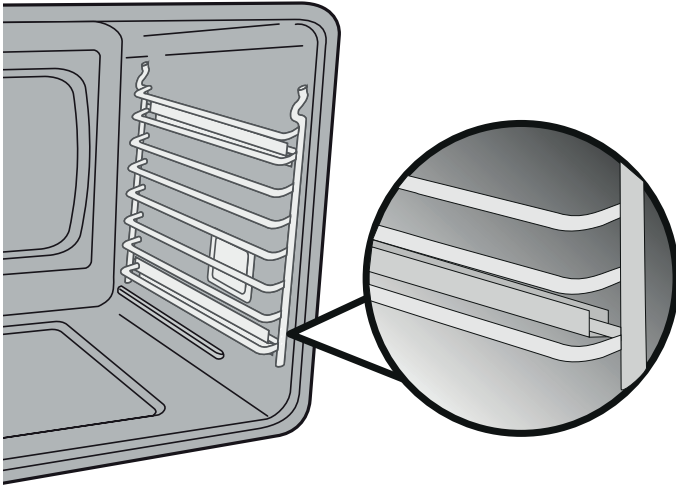
1. Tighten all connections if necessary to prevent gas leakage in the cooktop or supply line.
2. Disconnect this range and its individual shutoff valve from the gas supply piping system during any pressure testing of the system at test pressures greater than 1/2 psig (3.5 kPa or 14"(35.56 cm) water column).
3. Isolate the range from the gas supply piping system by closing its individual manual shutoff valve during any pressure testing of the gas supply piping system at test pressures equal to or less than 1/2 psig (3.5 kPa or 14"(35.56 cm) water column).

# 36" GAS RANGE INSTALLATION INSTRUCTIONS

## 6 Install the Oven Racks

The oven racks are supported inside the oven cavity by two ladder racks, installed on the oven walls.

1. Place the ladder racks hook-side up into the support brackets located on the oven sides (see Figure 12).



**Figure 12: Ladder rack supports**

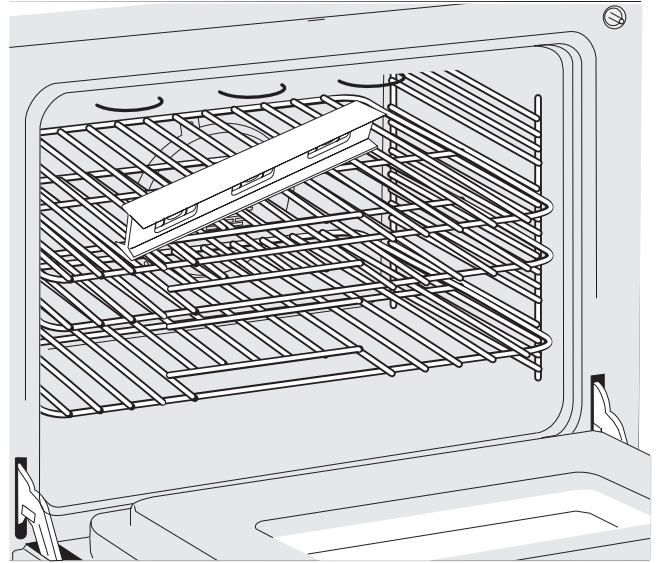
2. Place the flat oven racks into the desired positions.

To aid installation and movement of oven racks, apply a thin layer of cooking oil to the sides of the oven racks that contact the ladder supports.

## 7 Level the Range

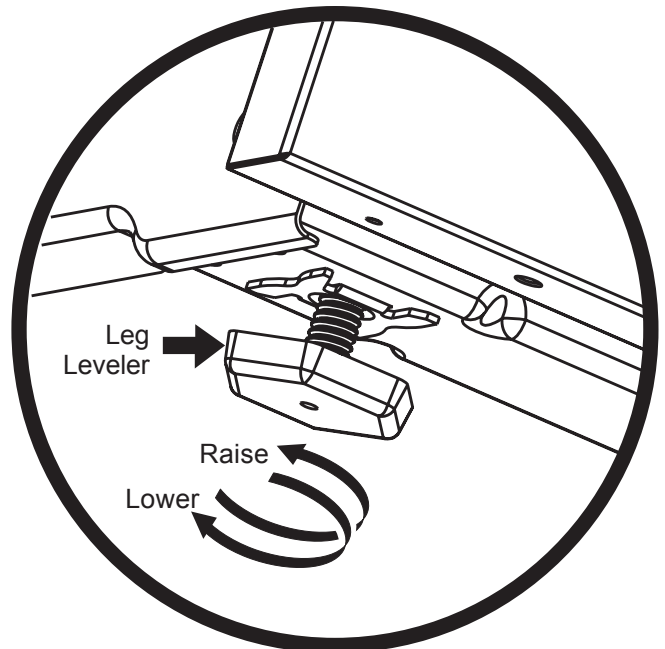
Level the range and set cooktop height before installation in the cut-out opening (if applicable).

1. Install an oven rack in the center of the oven.
2. Place a level on the rack (Figure 13). Take two readings with the level placed diagonally in one direction and then the other.



**Figure 13: Use the oven racks to level appliance**

3. Level the range, if necessary, by adjusting the four leg levelers with a wrench (Figure 14).
4. Slide range into cut-out opening and double check for levelness. If the range is not level, pull unit out and readjust leveling legs, or make sure floor is level.



**Figure 14: Adjusting appliance height**

# 36" GAS RANGE INSTALLATION INSTRUCTIONS

## 8 Install Anti-Tip Bracket

**⚠ WARNING** To reduce the risk of tipping the appliance, the appliance must be secured to the floor by the properly installed anti-tip bracket and screws packed with the range. These parts are located in the oven. Failure to install the anti-tip bracket will allow the range to tip over if excessive weight is placed on an open door or if a child climbs on it. Serious injury might result from spilled hot liquids or from the range itself.

If range is ever moved to a different location, the anti-tip brackets must also be moved and installed with the range.

### Tools Required:

- Adjustable Wrench
- Ratchet
- Drill & 1/8" (0.32 cm) bit
- 5/16" (0.8 cm) Nut driver
- Level

### 8.1 Locate the Bracket Using the Template

Bracket may be located on either the left or right side of the range. Mark the floor or wall where left or right side of the range will be located.

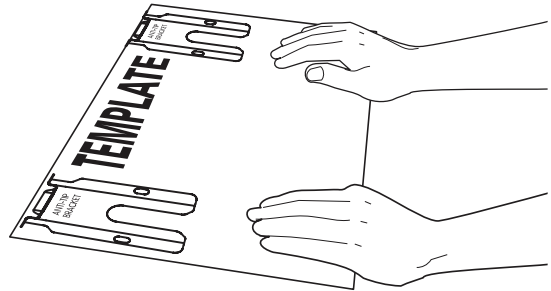


Figure 15: Bracket template

If rear of range is against the wall or no further than 1 1/4" (3.2 cm) from wall when installed, you may use the wall or floor mount method. If moulding is installed and does not allow the bracket to fit flush against the wall, remove moulding or mount bracket to the floor.

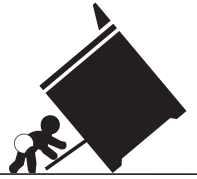
For wall mount, locate the bracket by placing the back edge of the template against the rear wall and the side edge of template on the mark made referencing the side of the range. Place bracket on top of template and mark location of the screw holes in wall.

If rear of range is further than 1 1/4" (3.2 cm) from the wall when installed, attach bracket to the floor. For floor mount, locate the bracket by placing back edge of the template where the rear of the range will be located.

Mark the location of the screw holes shown in template.

### ⚠ WARNING

### Tip Over Hazard

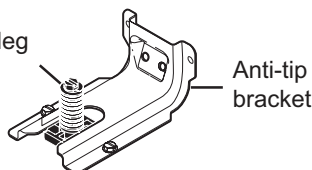


- A child or adult can tip the range and be killed.
- Verify the anti-tip device has been installed to floor or wall.

- Ensure the anti-tip device is re-engaged to floor or wall when the range is moved.
- Do not operate the range without the anti-tip device in place and engaged.
- Failure to follow these instructions can result in death or serious burns to children and adults.



Range leveling leg



Anti-tip bracket

To check if the anti-tip bracket is installed properly, use both arms to grasp the rear edge of the range back. Carefully attempt to tilt range forward. When properly installed, the range should not tilt forward.

Refer to the anti-tip bracket installation instructions supplied with your range for proper installation.

# 36" GAS RANGE INSTALLATION INSTRUCTIONS

## 8.2 Drill Pilot Holes and Fasten Bracket

Drill a 1/8" pilot hole where screws are to be located. If bracket is to be mounted to the wall, drill pilot hole at an approximate 20° downward angle. If bracket is to be mounted to masonry or ceramic floors, drill a 3/16" (4.8 mm) pilot hole 1-3/4" deep.

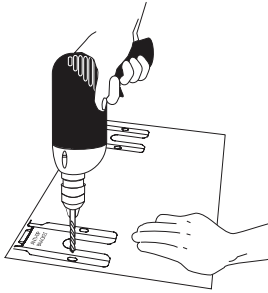


Figure 16: Drill pilot holes

The screws provided may be used in wood or concrete material. Use a 5/16" nut-driver or flat head screwdriver to secure the bracket in place.

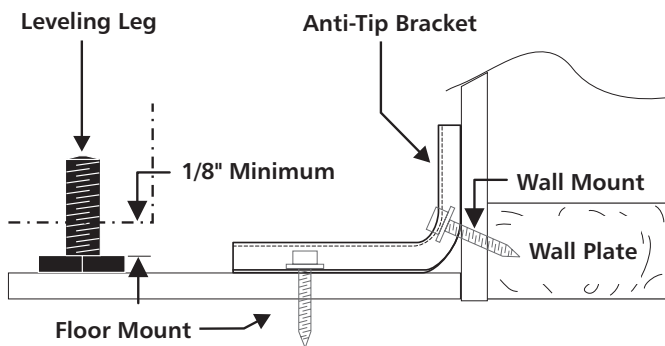


Figure 17: Fastening the bracket

## 8.3 Check Level and Position the Range

Check the level of the final installation. Note: A minimum clearance of 1/8" is required between the bottom of the range and the levelling leg to allow room for the bracket. Use a spirit level to check your adjustments.

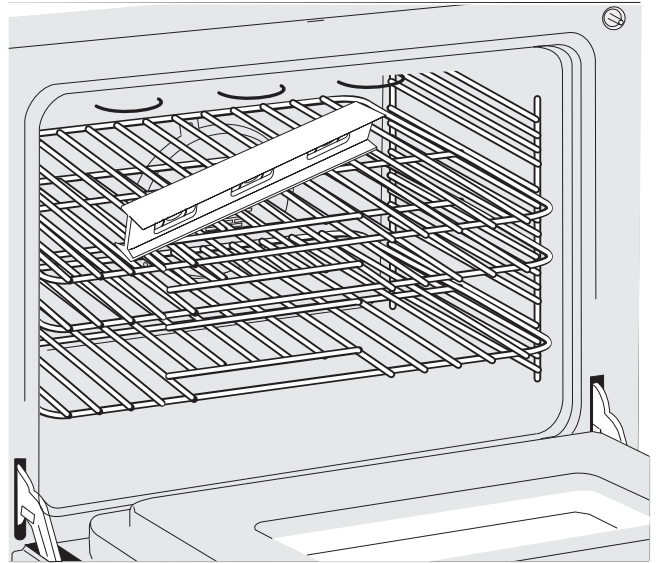


Figure 18: Use the oven racks to level appliance

Slide range into position.

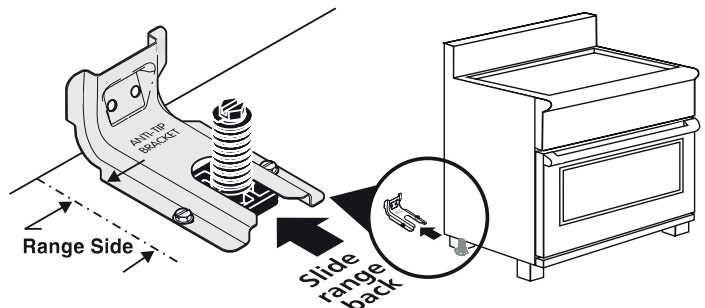


Figure 19: Slide appliance into bracket

To check if the anti-tip bracket is installed properly, use both arms and grasp the rear edge of range back. Carefully attempt to tilt range forward. When properly installed, the range should not tilt forward.

If range is moved to a different location, the anti-tip brackets must also be moved and installed with the range.

# 36" GAS RANGE INSTALLATION INSTRUCTIONS

## 9 Prepare Burner Assemblies

### 9.1 Install Burner Caps

**CAUTION** To prevent flare-ups use the cooktop with all burner caps properly installed.

1. Place a burner cap on each burner head, matching the cap size to the head size (see Figure 20). The cap for each burner has an inner locating ring which centers the cap correctly on the burner head.

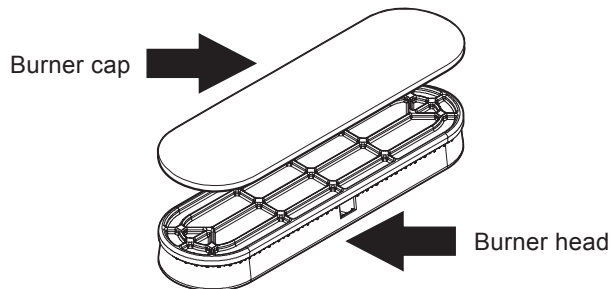
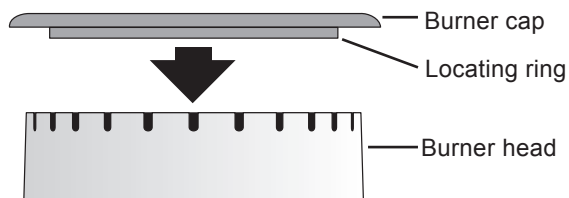


Figure 20: Burner cap assembly

2. Make sure each burner cap is properly aligned and level, as shown in Figure 21. Burners may not light or burn evenly if the burner caps are not correctly placed on the head.

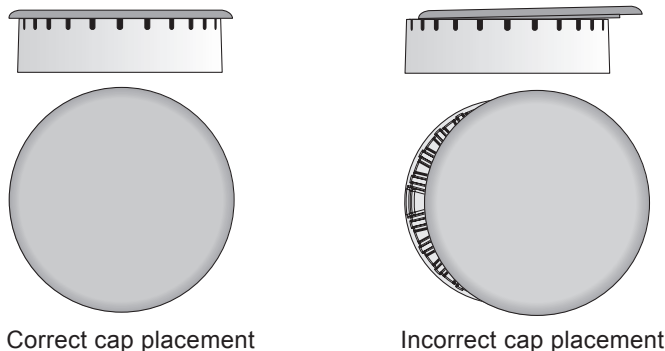


Figure 21: Burner cap placement

### 9.2 Check Ignition on Surface Burners

Operation of electric igniters should be checked after range and supply line connectors have been carefully checked for leaks and range has been connected to electric power.

To check for proper lighting:

1. Push in and turn a surface burner knob to the sparking position. All electronic surface igniters will spark at the same time. Only the burner you are turning on will ignite.
2. The surface burner should light once the flow of gas reached the surface burner. Each burner should light within four seconds in normal operation after air has been purged from supply lines. Visually check that burner has lit.
3. Once the burner lights, the control knob should be turned out of the LITE position.

Turn on each of the surface burners and check to see that they light properly and that the flames are even. Adjust settings if necessary.

### 9.3 Adjusting Low Settings on Surface Burners

To adjust the low setting of surface burners:

1. Push in and turn control to LITE until burner ignites.
2. Quickly turn knob to LOWEST POSITION.
3. If burner goes out, reset control to OFF.
4. Remove the surface burner control knob.
5. Insert a thin-bladed screwdriver into the hollow valve stem and engage the slotted screw inside as shown in Figure 22. Flame size can be increased or decreased by turning the screw.
6. Adjust flame until you can quickly turn knob from the

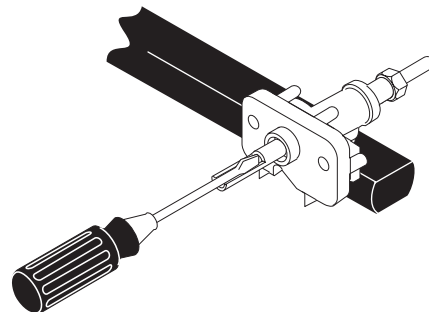


Figure 22: Turn to adjust surface flame

sparkling position to the lowest flame position without extinguishing the flame. Flame should be as small as possible without going out.

**Notes:**

- Air mixture adjustment is not required on surface burners.
- Some models have two flames on a burner. The center flame on these burners is not adjustable.

# 36" GAS RANGE INSTALLATION INSTRUCTIONS

## 10 Adjusting Oven Burners

### 10.1 Electric Ignition Burners

Operation of electric igniters should be checked after range and supply line connectors have been carefully checked for leaks, and range has been connected to electric power. The oven burner is equipped with an electric control system as well as an electric oven burner igniter. If your model is equipped with a waist-high broil burner igniter, it will also have an electric burner igniter. These control systems require no adjustment. When the oven is set to operate, current will flow to the igniter. It will "glow" similar to a light bulb. When the igniter has reached a temperature sufficient to ignite gas, the electrically controlled oven valve will open and flame will appear at the oven burner. There is a time lapse from 30 to 60 seconds after thermostat is turned ON before the flame appears at the oven burner. When the oven reaches the display setting, the glowing igniter will go off. The burner flame will go "out" in 20 to 30 seconds after igniter goes "OFF". To maintain any given oven temperature, this cycle will continue as long as the display is set to operate.

After removing all packing materials and literature from the oven:

1. Set the oven to BAKE at 300°F. See Use & Care Guide for operating instructions.
2. Within 60 seconds the oven burner should ignite. Check for proper flame (see 10.2), and allow the burner to cycle once. Reset controls to off.
3. If your model is equipped with a waist-high broiler burner, set oven to broil. See Use & Care Guide for operating instructions.
4. Within 60 seconds the broil burner should ignite. Check for proper flame. Reset controls to off.

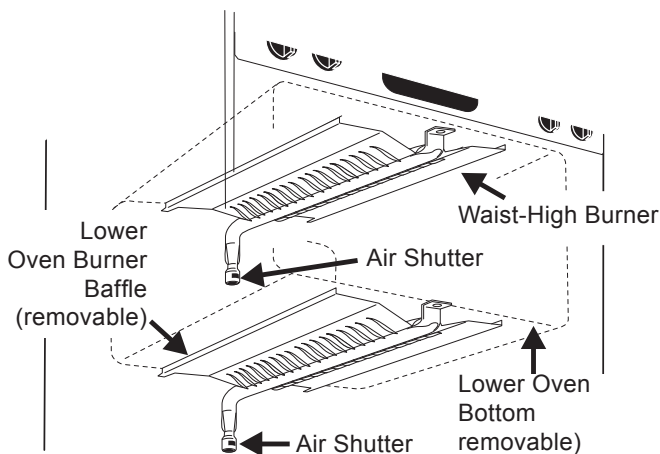


Figure 23: Oven Burners

### 10.2 Oven Burner Flame Adjustment

The approximate oven burner flame length is 1 inch (distinct inner cone of blue flame).

To determine if the oven burner flame is proper, remove the oven bottom and burner baffle and set the oven to bake at 300°F.

To remove the oven bottom, remove the oven racks and the ladder racks. Slide the oven bottom forward to disengage the back tab. Lift and slide back to disengage front of oven bottom from oven front frame. Pull the oven bottom out of the cavity. The baffle is attached to the oven bottom and requires no further disassembly.

If the flame is yellow, increase air shutter opening size (see "2" in Figure 24). If the entire flame is blue, reduce the air shutter opening size.

To adjust flame loosen lock screw (see "3" in Figure 24), reposition air shutter, and tighten lock screw. Replace oven bottom.

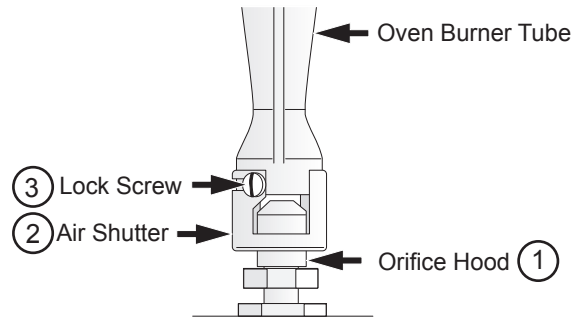


Figure 24: Oven Burner Adjustments

### 10.3 Broil Burner Flame Adjustment

The approximate flame length of the burner is 1 inch (distinct inner cone of blue flame). To determine if the broil burner flame is proper, set the oven to broil. If flame is yellow, increase air shutter opening size (see "2" in Figure 24). If the entire flame is blue, reduce the air shutter opening size. To adjust, loosen lock screw (see "3" in Figure 24), reposition air shutter, and tighten lock screw.

# 36" GAS RANGE INSTALLATION INSTRUCTIONS

## 11 Check Oven Operation

Refer to the Use and Care Guide packaged with the range for operating instructions and for care and cleaning of your range.

Remove all packaging from the oven before testing.

The oven is equipped with an electronic oven control. Each of the functions has been factory checked before shipping. However, it is suggested that you verify the operation of the electronic oven controls once more. Refer to the Owner's Guide for operation. Follow the instructions for the Clock, Timer, Bake, Broil, Convection, and Clean functions.

**Bake**—After setting the oven to 350°F (177°C) for baking, the bake burner should ignite and the floor of the oven cavity should become warm.

**Broil**—When the oven is set to BROIL, the upper element in the oven should ignite.

**Clean**—When the oven is set for a self-cleaning cycle, the bake burner should ignite during the preheat portion of the cycle. The floor of the oven cavity should become very hot.

**Convection**—When the oven is set to CONV. BAKE/ROAST at 350°F (177°C), the bake burner and the convection element cycle on and off. The convection fan will begin to run a few minutes into the preheat cycle. The convection fan will stop turning when the oven door is opened during convection baking or roasting.

## 12 After Installation

### When All Hookups are Complete

Make sure all controls are left in the OFF position.

### Model and Serial Number Location

The serial plate is located on top of the range's lower front panel, and can be clearly viewed when the door is open. When ordering parts for or making inquiries about your range, have the model and serial numbers ready. (Figure 25).

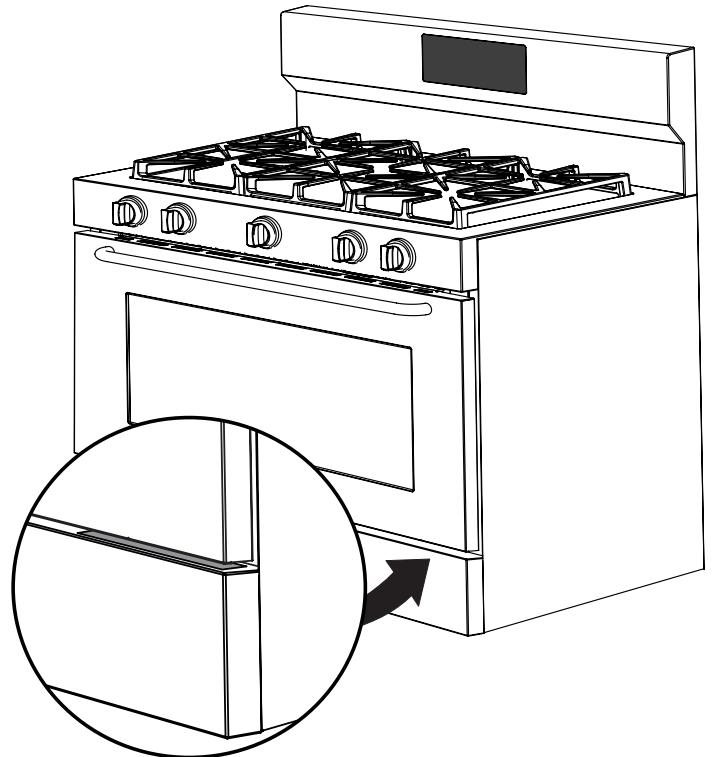


Figure 25: Model, serial number location

### Before You Call for Service

Read the Avoid Service Checklist and operating instructions in your Owner's Guide. It may save you time and expense. The list includes common occurrences that are not the result of defective workmanship or materials in this appliance.

Refer to the warranty and service information in your Owner's Guide for our phone number and address. Please call or write if you have inquiries about your range product and/or need to order parts.



# INSTRUCCIONES DE INSTALACIÓN COCINA DE GAS 36"

**LAS TAREAS DE INSTALACIÓN Y SERVICIO DEBERÁN  
SER REALIZADAS POR UN INSTALADOR CUALIFICADO.  
IMPORTANTE: CONSERVAR PARA USO POR PARTE  
DE LOS INSPECTORES DE ELECTRICIDAD.  
LEA Y CONSERVE ESTAS INSTRUCCIONES PARA SU CONSULTA FUTURA.**

**⚠ ADVERTENCIA** PARA SU SEGURIDAD: No almacene ni utilice gasolina ni otros vapores y líquidos inflamables cerca de este dispositivo o cualquier otro.



## Tabla de contenido

Instrucciones importantes para la seguridad.....	18-20	Instalación de las parrillas del horno .....	27
Dimensiones del producto .....	21	Nivelado de la cocina .....	27
Dimensiones del gabinete .....	22	Instalación del soporte antivuelco .....	28-29
Construcción del gabinete .....	23	Preparación de los conjuntos de quemador .....	30-31
Requisitos eléctricos.....	23-24	Ajuste de los quemadores del horno .....	31-32
Cable eléctrico.....	24	Comprobación de la operación del horno.....	32
Requisitos de combustible.....	25	Después de la instalación.....	32
Conexión de suministro de combustible.....	26	Ubicación de la placa de número de serie (modelo y número de serie).....	32

## Notas importantes para el instalador

1. Lea todas las indicaciones de estas instrucciones de instalación antes de instalar la cocina.
2. Elimine todo el material de empaçado del horno y los compartimentos de cajones antes de conectar el suministro eléctrico a la cocina.
3. Es obligatorio instalar el soporte antivuelco suministrado con el electrodoméstico.
4. Observe todas las normas aplicables.
5. Asegúrese de dejar estas instrucciones al consumidor.

## Aviso importante al consumidor

1. Conserve estas instrucciones con su guía del propietario para referencia futura.
2. Cuando use cualquier electrodoméstico que genere calor debe seguir precauciones de seguridad. Estas precauciones se explican en el manual de uso y cuidado. Lea atentamente el manual.
3. Asegúrese de que el electrodoméstico sea adecuadamente instalado y conectado a tierra por un instalador o técnico de servicio cualificado.

# INSTRUCCIONES DE INSTALACIÓN DE COCINA DE GAS DE 36"

## INSTRUCCIONES DE SEGURIDAD IMPORTANTES

**Este electrodoméstico debe haberse instalado y conectado a tierra adecuadamente por un instalador o técnico de servicio cualificado.**

Este manual contiene símbolos e instrucciones de seguridad importantes. Se recomienda prestar atención a los símbolos y seguir todas las instrucciones indicadas en el mismo. No intente instalar o usar su producto hasta haber leído las precauciones de seguridad indicadas en este manual. Las indicaciones de seguridad en este manual llevan un símbolo de ADVERTENCIA o PRECAUCIÓN en función del tipo de riesgo.

Las advertencias e instrucciones importantes que aparecen en esta guía no pretenden cubrir todas las posibles condiciones y situaciones que pueden producirse. Utilice el sentido común, precaución y cuidado al instalar, mantener o hacer funcionar su electrodoméstico.

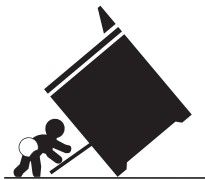
**!** Este es el símbolo de alerta de seguridad. Se utiliza para alertarle de potenciales peligros de lesiones personales. Obedezca todos los mensajes de seguridad que lleven este símbolo para evitar posibles lesiones o la muerte.

**!** **ADVERTENCIA** Indica una situación potencialmente peligrosa que, si no se evita, podría causar lesiones graves o la muerte.

**!** **PRECAUCIÓN** Indica una situación potencialmente peligrosa que, si no se evita, podría causar lesiones personales leves o moderadas.

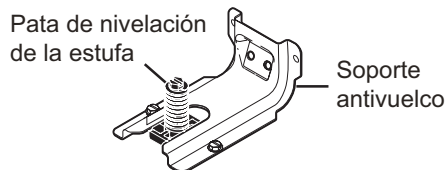
**IMPORTANTE:** Indica información importante, de instalación, de operación o de mantenimiento que no está relacionada con situaciones de peligro.

### **!** **ADVERTENCIA** Peligro de volcado



- Un niño o un adulto pueden volcar la cocina y morir.
- Verifique que el dispositivo antivuelco se ha instalado en el piso o un muro.

- Asegúrese de volver a engarzar el dispositivo antivuelco en el piso o en el muro al mover la cocina.
- No haga operar la estufa sin el dispositivo antivuelco colocado y operativo.
- El incumplimiento de estas instrucciones puede provocar la muerte o quemaduras graves a niños y adultos.



Para comprobar si el soporte antivuelco se ha instalado correctamente, sostenga con ambas manos el borde trasero de la parte trasera de estufa. Con cuidado, trate de inclinar la estufa hacia delante. Si está correctamente instalada, la estufa no se inclinará hacia delante.

Consulte la instalación adecuada del soporte antivuelco en las instrucciones de instalación suministradas con el electrodoméstico.

**!** **ADVERTENCIA** Si no sigue con exactitud la información de este manual, puede producirse un incendio o una explosión que provoquen daños a propiedades, daños a personas o la muerte.

### PARA SU SEGURIDAD:

- No almacene ni utilice gasolina ni otros vapores y líquidos inflamables cerca de este dispositivo o cualquier otro.
- **QUÉ HACER SI HUELE A GAS:**
  - No trate de encender ningún electrodoméstico.
  - No toque ningún interruptor eléctrico; no utilice ningún teléfono dentro del edificio.
  - Llame inmediatamente a su proveedor de gas desde el teléfono de algún vecino. Siga las instrucciones del suministrador de gas.
  - Si no logra contactar con su proveedor de gas, llame al departamento de bomberos.
- La instalación y el servicio deben realizarlas un instalador cualificado, personal de servicio técnico o el suministrador de gas.

# INSTRUCCIONES DE INSTALACIÓN DE COCINA DE GAS DE 36"

## ADVERTENCIA

- **Riesgo de peso excesivo**--Para mover e instalar la cocina se necesitan dos o más personas. El incumplimiento de estas instrucciones puede provocar lesiones en la espalda o de otro tipo.
- **Almacenamiento dentro o sobre el electrodoméstico**—No deben almacenarse materiales inflamables dentro de un horno o microondas, cerca de los quemadores de superficie o las resistencias ni en el cajón de calentar y servir (en su caso). Esto incluye artículos de papel, plástico y tela, tales como libros de cocina, objetos de plástico y toallas, así como líquidos inflamables. No guarde explosivos, como latas de productos en aerosol, sobre o cerca del aparato.
- **No deje a los niños solos** - Los niños deben estar siempre acompañados y atendidos por un adulto cuando haya un electrodoméstico en uso. Nunca permita que los niños se sienten o se paren sobre ninguna pieza del electrodoméstico, incluyendo el cajón de almacenamiento, el cajón asador inferior, el cajón calentador o el horno doble inferior.
- No guarde artículos atractivos para los niños en los gabinetes que estén arriba del electrodoméstico o en el protector trasero. Si los niños se suben o acercan al electrodoméstico para alcanzar dichos artículos podrían sufrir lesiones graves.
- Pararse, apoyarse o sentarse en la puerta o los cajones de este electrodoméstico puede causar lesiones graves y además dañar el electrodoméstico.
- No utilice el horno ni el cajón de calentar (en su caso) para almacenaje.
- Nunca utilice este electrodoméstico como calentador ambiental para calentar la sala. Esto podría resultar en envenenamiento por monóxido de carbono y sobrecalentamiento del electrodoméstico.
- No almacene ni utilice gasolina ni otros vapores y líquidos inflamables cerca de este dispositivo o cualquier otro.
- Nunca cubra ninguna ranura, agujero o pasaje del piso del horno ni cubra una parrilla completa con materiales como papel de aluminio o revestimientos para horno. Las coberturas con papel de aluminio u otros revestimientos pueden atrapar el calor y producir riesgo de incendio.
- No se deben usar cortinas de aire ni cualquier otra campana de ventilación superior que sople aire hacia abajo sobre la estufa a gas a menos que la campana de ventilación y la estufa hayan sido diseñadas, probadas y certificadas por un laboratorio de pruebas independiente para usarse de forma combinada.

## INSTRUCCIONES IMPORTANTES PARA DESEMPACADO E INSTALACIÓN

Lea y siga las siguientes instrucciones y precauciones a la hora de desempacar, instalar y realizar el mantenimiento del electrodoméstico:

- Destruya la caja de cartón y las bolsas de plástico después de desempacar el electrodoméstico. Nunca deje que los niños jueguen con el material de empaque. No retire la etiqueta del cableado y otras indicaciones escritas adheridas al electrodoméstico. No retire la placa de número de serie/modelo.
- Las temperaturas bajas pueden dañar el control electrónico. Cuando use el electrodoméstico por primera vez, o cuando este no se haya usado por un período largo de tiempo, asegúrese de que la unidad esté en temperaturas superiores a los 32°F (0°C) durante al menos 3 horas antes de encenderla.
- Nunca modifique o altere la construcción del electrodoméstico retirando patas de nivelación, paneles, cubiertas de cables y abrazaderas antivuelco/tornillos u otras partes del electrodoméstico.
- Instalación adecuada—Asegúrese de que su electrodoméstico sea correctamente instalado y conectado a tierra por un técnico cualificado. En Estados Unidos, instale el producto de conformidad con el National Fuel Gas Code ANSI Z223.1/NPFA No. 54, última edición y National Electrical Code NFPA No. 70 última edición y requisitos de la normativa eléctrica local. Si se instala en Canadá, este artefacto debe instalarse según la norma CSA Estándar C22.1 del Código Canadiense de Electricidad (Canadian Electrical Code), Parte 1, y los códigos eléctricos locales. Instale el electrodoméstico siguiendo exclusivamente las instrucciones de instalación proporcionadas en la documentación.
- La instalación de electrodomésticos diseñados para su instalación en viviendas manufacturadas (móviles) debe cumplir la Manufactured Home Construction and Safety Standard, título 24CFR, parte 3280 [Anteriormente Federal Standard for Mobile Home Construction and Safety, título 24, HUD (parte 280)] o bien, si dicha norma no es aplicable, la Standard for Manufactured Home Installation 1982 (Manufactured Home Sites, Communities and Setups), ANSI Z225.1/NFPA 501A-última edición, o bien cumplir los códigos locales en Estados Unidos y CAN/CSA-Z240 MH en Canadá.
- Antes de instalar una cocina en una zona cubierta con linóleo o cualquier otro tipo de revestimiento sintético del piso, asegúrese de que el revestimiento resiste al menos 90°F (32,2°C) por encima de la temperatura ambiente sin encogerse, deformarse ni decolorarse. No instale la cocina sobre alfombras o moquetas salvo que incluya una almohadilla u hoja aislante de contrachapado de ¼" (0,64 cm) de espesor entre la cocina y el alfombrado.

# INSTRUCCIONES DE INSTALACIÓN DE COCINA DE GAS DE 36"

- Asegúrese de que todos los revestimientos de los muros y materiales de los gabinetes cercanos a la cocina pueden resistir el calor que genera el electrodoméstico.
- Para eliminar el riesgo de quemaduras o incendios en movimientos por encima de la superficie caliente de las unidades, debe evitarse el espacio de almacenamiento en gabinetes sobre la superficie. Si va a incluirse almacenamiento en gabinete, puede reducirse al riesgo instalando una campana extractora que sobresalga horizontalmente un mínimo de 5 pulgadas más allá de la base del gabinete.
- No obstruya el flujo de aire en el orificio de ventilación del horno ni alrededor de la base o bajo la parte inferior del panel frontal del dispositivo. Este electrodoméstico necesita aire fresco para una correcta operación.
- Asegúrese de que haya un extintor de espuma adecuado disponible, ubicado de manera visible y fácilmente accesible cerca del electrodoméstico.

## INSTRUCCIONES ESPECIALES PARA ELECTRODOMÉSTICOS INSTALADOS EN EL ESTADO DE MASSACHUSETTS

Este electrodoméstico solo puede instalarlo en el Estado de Massachusetts un plomero o instalador de gas licenciado en Massachusetts. Si utiliza un conector de gas flexible, no debe superar los 3 pies (36 pulgadas) de longitud. Debe instalar una válvula manual con mando en "T" en la línea de suministro de gas de este electrodoméstico.

## CONVERSIÓN A GAS LICUADO

Este electrodoméstico permite la conversión a gas licuado de petróleo (LP).

**⚠ ADVERTENCIA** Si la conversión a gas licuado no es realizada por un instalador o un electricista calificado existen riesgos de lesiones personales o la muerte por choque eléctrico. Las adiciones, cambios o conversiones necesarios para que este electrodoméstico cumpla satisfactoriamente con sus requisitos de operación deben ser realizados por un técnico calificado.

Si necesita realizar una conversión a gas LP, llame a su distribuidor local de gas LP para obtener asistencia. El kit de conversión a gas LP se incluye con este electrodoméstico y se encuentra en el panel inferior trasero (parte trasera) de la estufa. Antes de instalar el kit, asegúrese de leer las instrucciones de instalación de LP y sígalas cuidadosamente al realizar la instalación.

## INSTRUCCIONES IMPORTANTES PARA SERVICIO Y MANTENIMIENTO

- No repare ni cambie ninguna pieza del aparato que no esté específicamente indicada en los manuales. Las reparaciones adicionales deben ser realizadas por un técnico calificado. Esto reduce el riesgo de lesiones personales y daños al electrodoméstico.
- Póngase en contacto con su distribuidor, agente de servicio o el fabricante en relación con cualquier problema o situación que no comprenda.
- Consulte con su distribuidor para que le recomiende un técnico calificado y un centro de servicio autorizado. Sepa cómo desconectar la energía eléctrica del electrodoméstico en el disyuntor o en la caja de fusibles en caso de una emergencia.
- Saque la puerta del horno de todo electrodoméstico que ya no se utilice cuando lo guarde o lo descarte.
- No toque una bombilla de horno caliente con un paño húmedo. Esto puede hacer que se rompa la bombilla. Manipule las luces halógenas (en su caso) con toallas de papel o guantes suaves. Desconecte el electrodoméstico o apague la alimentación antes de quitar y sustituir la bombilla.

# INSTRUCCIONES DE INSTALACIÓN DE COCINA DE GAS DE 36"

## Dimensiones del producto

**⚠ ADVERTENCIA** No instale la unidad en el gabinete antes de leer las dos páginas siguientes.

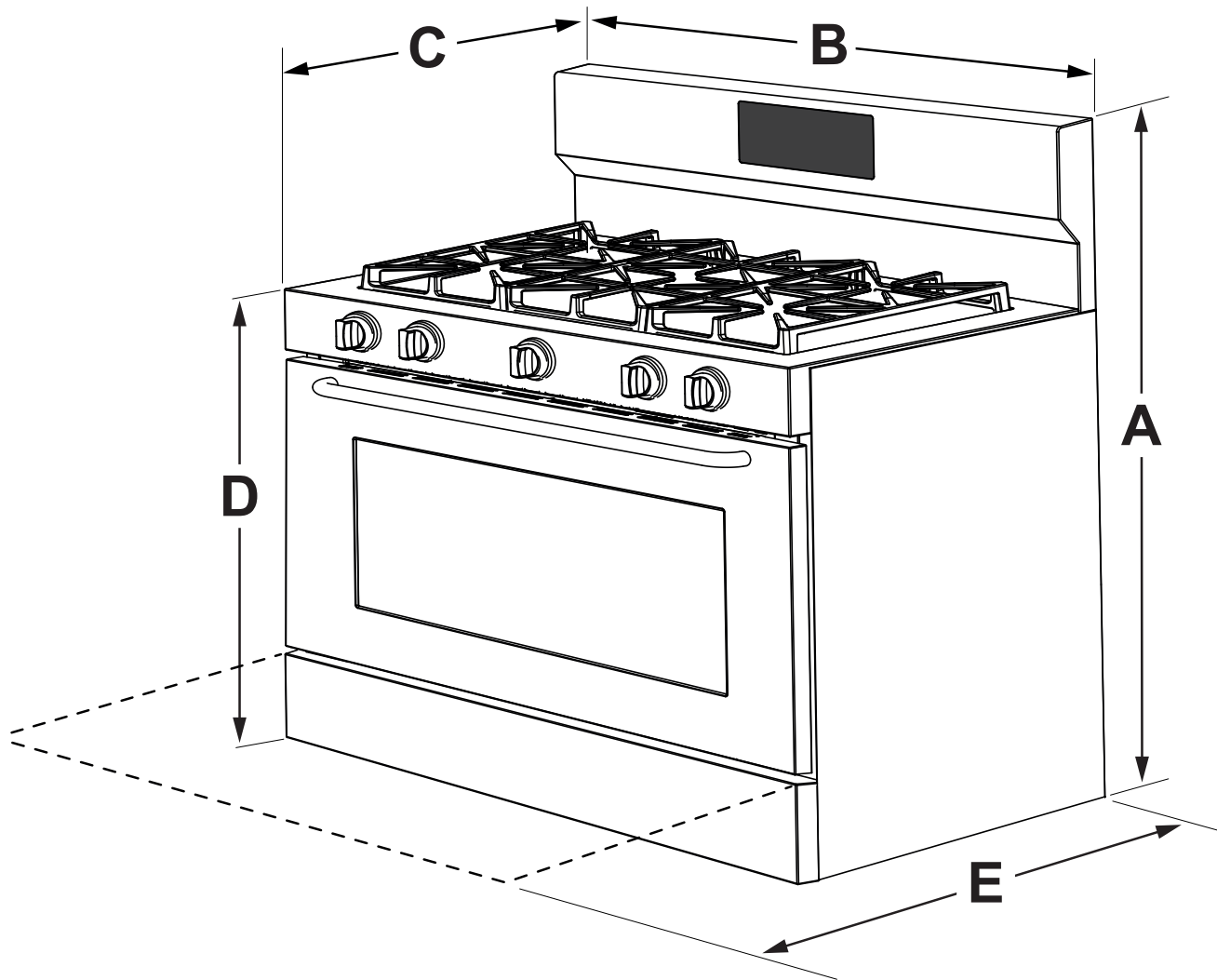


Figura 1: Dimensiones del producto

MODELO	A. ALTO	B. ANCHO	C. FONDO HASTA LA PARTE FRONTAL DE LA COCINA	D. ALTO DE LA SUPERFICIE DE COCCIÓN	E. FONDO CON LA PUERTA ABIERTA
36"	49" (124.5cm) máx.	36" (91.4cm)	28 1/2" (72.4cm) máx.	36" (91.4cm) máx.	47 3/4" (121.3 cm)

# INSTRUCCIONES DE INSTALACIÓN DE COCINA DE GAS DE 36"

## Dimensiones del gabinete

### Distancias y dimensiones

- Deje suficiente espacio entre el electrodoméstico y las superficies combustibles adyacentes.
- Ubicación: compruebe la ubicación donde vaya a instalarse el electrodoméstico. Compruebe el suministro eléctrico adecuado y la estabilidad del piso.
- Deben utilizarse las dimensiones mostradas. Las dimensiones dadas ofrecen la distancia mínima. La superficie de contacto debe ser sólida y nivelada.

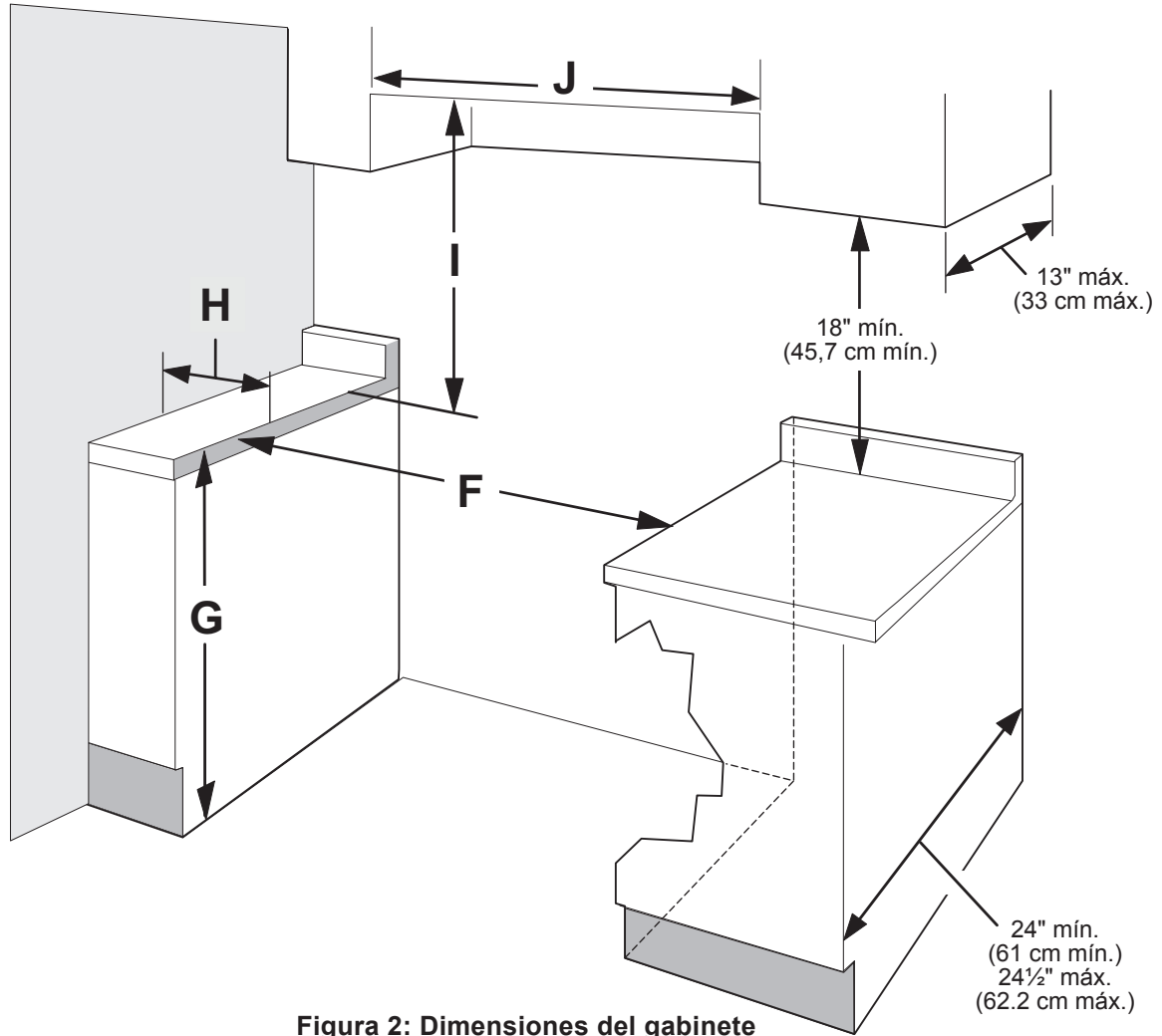


Figura 2: Dimensiones del gabinete

MODELO	F. ANCHO DE CORTE MÍNIMO	G. ALTO DE LA ENCIMERA	H. DISTANCIA DESDE LOS MUROS LATERALES <sup>2</sup>	I. DISTANCIA DESDE LA SUPERFICIE DE COCCIÓN Y LA BASE DEL GABINETE <sup>3</sup>	J. DISTANCIA LATERAL DE LOS GABINETES SUPERIORES
36"	36 1/4" (92.1cm)	36" (91.4cm) estándar 35 3/4" (90.8cm) mín.	5" (12.7cm) mín.	36" (91.4cm) mín.	36" (91.4cm) mín.

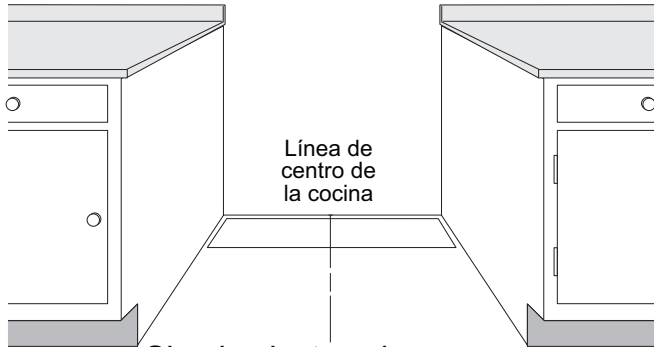
### NOTAS:

1. No selle la cocina a los gabinetes laterales.
2. Espacio desde muros adyacentes u otras superficies o estructuras verticales, como gabinetes.
3. Las medidas indicadas son la distancia mínima entre la superficie de cocción y la parte inferior del gabinete.
4. 0" de espacio entre la cocina y los gabinetes o superficies verticales situadas por debajo de la altura de la superficie de cocción.
5. 0" de espacio entre la parte trasera de la cocina y los gabinetes o muro traseros.

# INSTRUCCIONES DE INSTALACIÓN DE COCINA DE GAS DE 36"

## 1 Construcción del gabinete

**PRECAUCIÓN** Para eliminar el riesgo de quemaduras o incendios en movimientos por encima de la superficie caliente de las unidades, debe evitarse el almacenamiento en gabinetes sobre la cocina. Si hay espacio de almacenamiento en gabinetes por encima de la cocina, reduzca el riesgo instalando una campana extractora que sobresalga horizontalmente un mínimo de 5" (12.7 cm) más allá de la base del gabinete.



Siga las instrucciones para el tipo de instalación que tiene

Figura 3: Construcción del gabinete

### 1.1 Instalación: Gabinete a ambos lados

1. Si la cocina va a instalarse con un gabinete a ambos lados, dibuje la línea central en el piso entre los dos gabinetes (Figura 3).
2. Si la parte trasera de la cocina no va a quedar junto al muro (la ubicación de la toma puede no permitir la ubicación de la cocina contra el muro), dibuje una línea en el piso donde estará el borde trasero de la cocina.
3. Instale soportes antivuelco (consulte "Instalación del soporte antivuelco").

### 1.2 Instalación: Gabinete solo a un lado

1. Si la cocina va a instalarse con un gabinete a un lado solamente, coloque la cocina en su posición final.
2. Dibuje una línea en el piso a lo largo del costado de la cocina que no queda contra el gabinete. Si la parte trasera de la cocina no va a quedar junto al muro (la ubicación de la toma puede no permitir la ubicación de la cocina contra el muro), dibuje una línea en el piso donde estará el borde trasero de la cocina.
3. Instale soportes antivuelco (consulte "Instalación del soporte antivuelco").

### 1.3 Instalación: Sin gabinete

1. Si la cocina no se va a instalar contra un gabinete, coloque la cocina en su posición final.
2. Marque en el piso a lo largo de ambos lados de la cocina. Si la parte trasera de la cocina no va a quedar junto al muro (la ubicación de la toma puede no permitir la ubicación de la cocina contra el muro), dibuje una línea en el piso donde estará el borde trasero de la cocina.
3. Instale soportes antivuelco (consulte "Instalación del soporte antivuelco").

## 2 Requisitos eléctricos

### ADVERTENCIA

**Riesgo de choque eléctrico** –Este electrodoméstico necesita una puesta a tierra eléctrica. Utilice solo el cable eléctrico suministrado con el electrodoméstico. Unas conexiones y una puesta a tierra incorrectas pueden provocar descargas eléctricas, daños al electrodoméstico, lesiones personales, incendios o la muerte.

### Requisitos de puesta a tierra

Este electrodoméstico debe haberse instalado y puesto a tierra por un técnico calificado.

En Estados Unidos, instale el producto de conformidad con el National Fuel Gas Code ANSI Z223.1/NPFA No. 54, última edición y National Electrical Code NFPA No. 70 última edición y requisitos de la normativa eléctrica local. Si se instala en Canadá, este artefacto debe instalarse según la norma CSA Estándar C22.1 del Código Canadiense de Electricidad (Canadian Electrical Code), Parte 1, y los códigos eléctricos locales.

Este electrodoméstico necesita un circuito dedicado propio, debidamente conectado a tierra y polarizado, protegido con un des un toro de circuito GFI (Interruptor de fallas a tierra) de 15 amp o un fusible retardado. Consulte el voltaje en la placa de serie.

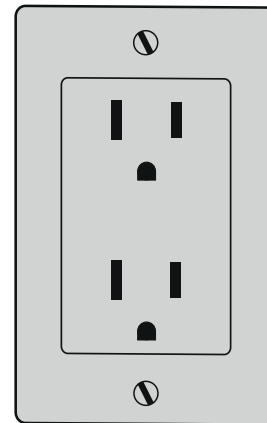


Figura 4: Toma eléctrica de 3 patas conectada a tierra

Para su seguridad personal, este electrodoméstico debe estar debidamente puesto a tierra. Para una máxima seguridad, el cable de alimentación debe estar enchufado a un tomacorriente del voltaje adecuado, que esté correctamente polarizado y debidamente puesto a tierra de acuerdo con los códigos locales. Es la responsabilidad personal del consumidor hacer que un electricista calificado instale un tomacorriente adecuado con un receptáculo de pared debidamente puesto a tierra.

Asegúrese de que la toma mural sea accesible con la posición final de instalación del electrodoméstico.

No pince el cable eléctrico entre la cocina y el muro.

# INSTRUCCIONES DE INSTALACIÓN DE COCINA DE GAS DE 36"

## Ubicaciones recomendadas de instalación de la toma mural

La ubicación recomendada de la toma mural se indica en la figura 5. La toma también puede situarse en el ángulo inferior de los gabinetes adyacentes, como muestra la figura 6.

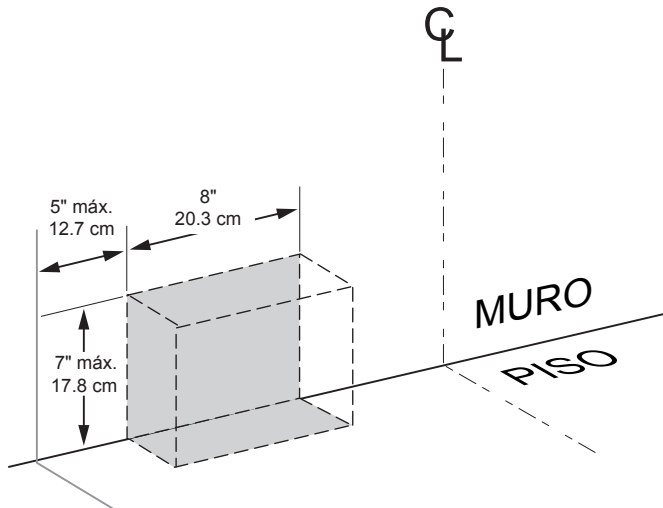


Figura 5: Ubicación de la salida detrás de la cocina

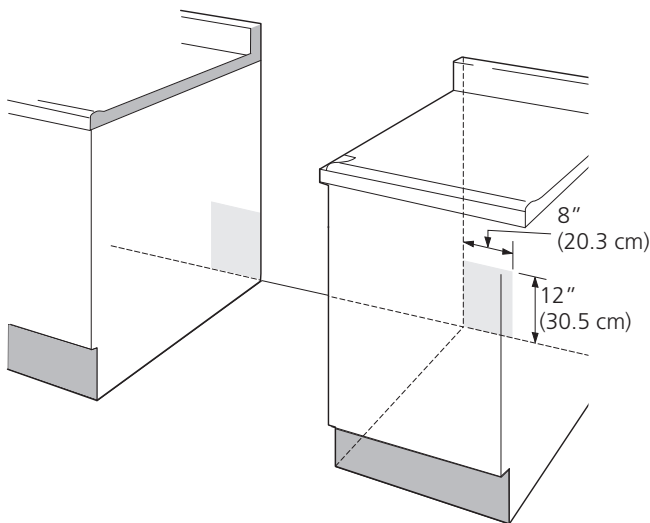


Figura 6: Ubicación de la toma en un gabinete adyacente

## 3 Cable eléctrico

### ⚠ ADVERTENCIA

**Riesgo de choque eléctrico** –No intente instalar el electrodoméstico directamente en una caja de conexiones, modificar el cable instalado de fábrica o conectar un cable diferente al electrodoméstico. Si la toma eléctrica no basta para soportar las exigencias de este electrodoméstico, es responsabilidad del consumidor hacer que un electricista calificado instale un tomacorriente adecuado. Una instalación y unas conexiones eléctricas incorrectas pueden provocar descargas eléctricas, daños al electrodoméstico, lesiones personales, incendios o la muerte.

Este electrodoméstico tiene un enchufe de 3 patas con conexión a tierra para su protección contra riesgos eléctricos y debe enchufarse directamente en una toma eléctrica adecuada con conexión a tierra. No corte ni quite la pata de conexión a tierra de este enchufe.

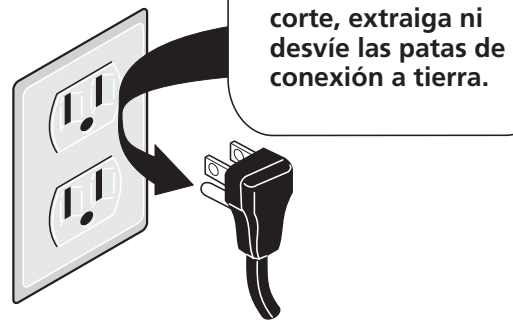


Figura 7: Cable eléctrico conectado en la fábrica

Para su seguridad personal, el electrodoméstico debe estar debidamente puesto a tierra. Para una máxima seguridad, el cable de alimentación debe estar enchufado a un tomacorriente correctamente polarizado y debidamente puesto a tierra.

Si sólo cuenta con una toma eléctrica para enchufes de 2 patas, es responsabilidad personal del consumidor hacer que un técnico calificado la reemplace por una toma eléctrica para enchufes de 3 patas con la conexión a tierra correspondiente.



# INSTRUCCIONES DE INSTALACIÓN DE COCINA DE GAS DE 36"

## 4 Requisitos de combustible

Esta unidad se ha diseñado para operar con una presión de 4" (10.16 cm) en c.d.a. del múltiple de gas natural (1.0 kPa).

El múltiple de la cocina tiene conectado un regulador de presión convertible que TIENE QUE conectarse en serie con la línea de suministro de gas. El regulador está situado donde se indica en la figura 8.

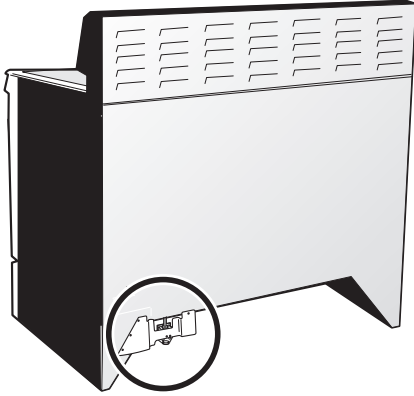


Figura 8: Ubicación del regulador

Para un adecuado funcionamiento, la presión máxima de entrada del regulador no debe exceder 14" (35.56 cm) de la presión de la columna de agua (3.5 kPa).

La presión en la entrada del regulador debe ser al menos 1" (0.25 kPa) mayor que el ajuste de presión del múltiple del regulador. El regulador está ajustado para una presión de columna de agua de 4" (10.16 cm) de gas natural (1.0 kPa) en el múltiple; la presión de entrada debe ser al menos de 5" (12.60 cm) en columna de agua de gas natural (1.25 kPa).

Para operación a alturas de 2000 pies sobre el nivel del mar, debe reducirse la potencia del dispositivo en un 4 por ciento por cada 1000 pies adicionales.

### 4.1 Ubicación del suministro de gas

Los conductos de suministro de gas pueden atravesar las paredes laterales de los gabinetes adyacentes.

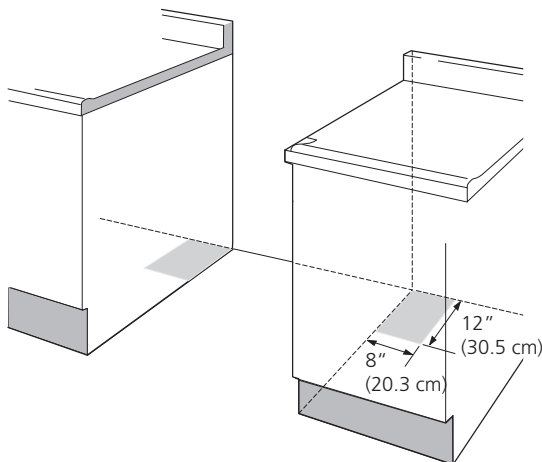


Figura 9: Ubicación recomendada del suministro de gas

Los gabinetes son ubicaciones perfectas para la válvula de corte principal si se instala el electrodoméstico entre gabinetes.

### 4.2 Válvula de corte

La línea de suministro de estar equipada con una válvula de corte aprobada, como se indica en la figura 10. Esta válvula debe encontrarse en la misma sala que en la cocina y debe encontrarse en una ubicación que permita una fácil apertura y cierre. No bloquee el acceso a la válvula de corte. La válvula es para abrir o cortar el suministro de gas al electrodoméstico.

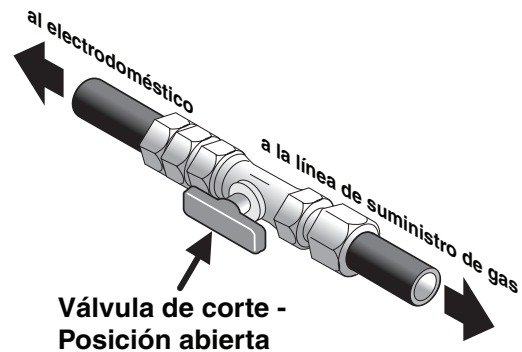


Figura 10: Válvula de corte

El suministro de gas entre la válvula de corte y el regulador puede conectarse mediante conductos rígidos o con conductos flexibles con unión metálica aprobados por A.G.A./C.G.A. donde las normativas locales permitan su uso.

El usuario debe conocer la ubicación de la válvula de corte principal y disponer de fácil acceso a ella.

### 4.3 Conversión a gas licuado de petróleo (LP)

Este electrodoméstico permite la conversión a gas licuado de petróleo (LP).

**⚠ ADVERTENCIA** Si la conversión a gas licuado no es realizada por un instalador o un electricista calificado existen riesgos de lesiones personales o la muerte por choque eléctrico. Las adiciones, cambios o conversiones necesarios para que este electrodoméstico cumpla satisfactoriamente con sus requisitos de operación deben ser realizados por un técnico calificado.

Si necesita realizar una conversión a gas LP, llame a su distribuidor local de gas LP para obtener asistencia. El kit de conversión a gas LP se incluye con este electrodoméstico y se encuentra en el panel inferior trasero (parte trasera) de la estufa. Antes de instalar el kit, asegúrese de leer las instrucciones de instalación de LP y sígalas cuidadosamente al realizar la instalación.

Para gas LP/Propano, el regulador debe ajustarse para una presión de columna de agua de 10" (25.4 cm) de gas natural (2.5 kPa) en el múltiple; la presión de entrada debe ser al menos de 11" (27.9 cm) en columna de agua de gas natural (2.75 kPa).

# INSTRUCCIONES DE INSTALACIÓN DE COCINA DE GAS DE 36"

## 5 Conexión de suministro de combustible

### 5.1 Conexión de suministro de combustible

**ADVERTENCIA** Este electrodoméstico debe haberse instalado y conectado a tierra adecuadamente por un instalador o técnico de servicio cualificado.

**PRECAUCIÓN** No apriete demasiado las conexiones. El regulador está moldeado a presión. Un exceso de apriete puede romper el regulador y producir una fuga de gas y el consiguiente incendio o explosión.

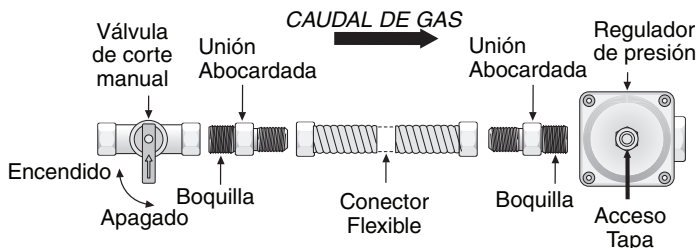
Este electrodoméstico incluye un regulador. La línea de suministro de gas requiere las partes siguientes, que no se proporcionan con el electrodoméstico:

- Válvulas de corte manual
- boquillas de 1/2" (2)
- Adaptador abocardado de unión de 1/2" (2)
- Conector flexible

La línea de suministro de gas hasta la válvula de corte debe ser un tubo sólido de 1/2"(1.27 cm) o 3/4"(1.9 cm).

Instale la línea de suministro de gas hasta el regulador de presión por el orden indicado en la Figura 11.

Todas las conexiones deben apretarse con una llave.



**Figura 11: Flujo de conexión de suministro de combustible**

Si utiliza un conducto de gas flexible con la cocina, deje suficiente espacio libre para poder extraer la cocina para limpieza o servicio técnico.

Utilice un compuesto de unión de tubos específico para gas Natural y LP/Propano para sellar todas las conexiones de gas. Si utiliza conectores flexibles, asegúrese de no aprisionar los conectores.

No deje que el conducto flexible quede plegado entre el muro y la cocina.

### 5.2 Comprobación de fugas

**ADVERTENCIA** No utilice llama para comprobar si hay pérdidas de gas en las conexiones. Comprobar la existencia de pérdidas con una llama puede provocar fuego o explosión.

Después de conectar la cocina al suministro de gas, compruebe si hay pérdidas en el sistema con un manómetro. Si no dispone de un manómetro, abra el suministro de gas y utilice un detector líquido de fugas (o jabón y agua) en todas las juntas y conexiones para comprobar si hay fugas. Las fugas provocan burbujas en las conexiones o uniones.

Todas las aberturas del muro o del piso donde vaya a instalarse la cocina deben estar selladas.

1. Apriete todas las conexiones si es preciso para evitar pérdidas de gas en la superficie de cocción o la línea de suministro.
2. Desconecte la cocina y la válvula de corte individual del sistema de tuberías de suministro de gas durante cualquier prueba de presión del sistema si las presiones de prueba sobrepasan las 1/2 psig (3.5 kPa o 14"(35.56 cm) c.d.a.).
3. Aísle la cocina del sistema de tuberías de suministro de gas cerrando la válvula de corte manual individual durante cualquier prueba de presión del sistema si las presiones de prueba son iguales o inferiores a 1/2 psig (3.5 kPa o 14"(35.56 cm) c.d.a.).

# INSTRUCCIONES DE INSTALACIÓN DE COCINA DE GAS DE 36"

## 6 Instalación de las parrillas del horno

Las parrillas del horno se sostienen dentro de su interior con dos parrillas de escalera instaladas en las paredes del horno.

1. Coloque el gancho de las parrillas de escalera hacia arriba en los soportes de apoyo que están situados en los lados del horno (consulte la figura 12).

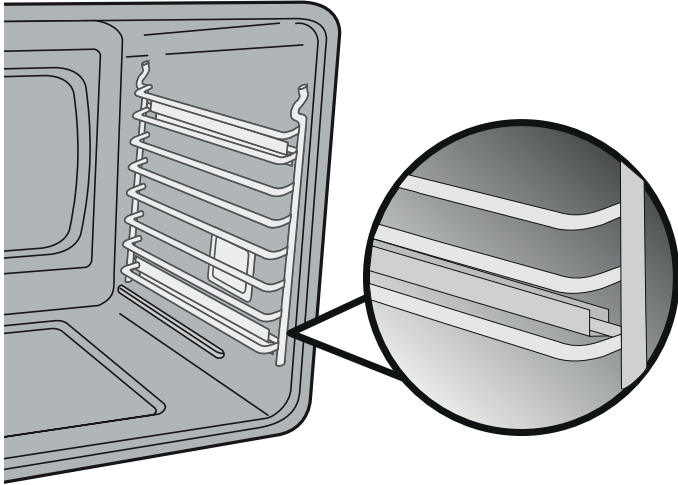


Figura 12: Soportes de parrilla de escalera

2. Coloque las parrillas planas del horno en las posiciones deseadas.

Para facilitar la instalación y el desplazamiento de las parrillas, aplique una capa delgada de aceite de cocina en los lados de las parrillas del horno que hacen contacto con los soportes de escalera.

## 7 Nivelado de la cocina

Nivele la cocina y ajuste la altura de la superficie de cocción antes de instalar en la abertura recortada (en su caso).

1. Coloque una parrilla en el centro del horno.
2. Coloque un nivel en la parrilla (Figura 13). Realice dos lecturas con el nivel colocado en diagonal, primero en una dirección y luego en la otra.

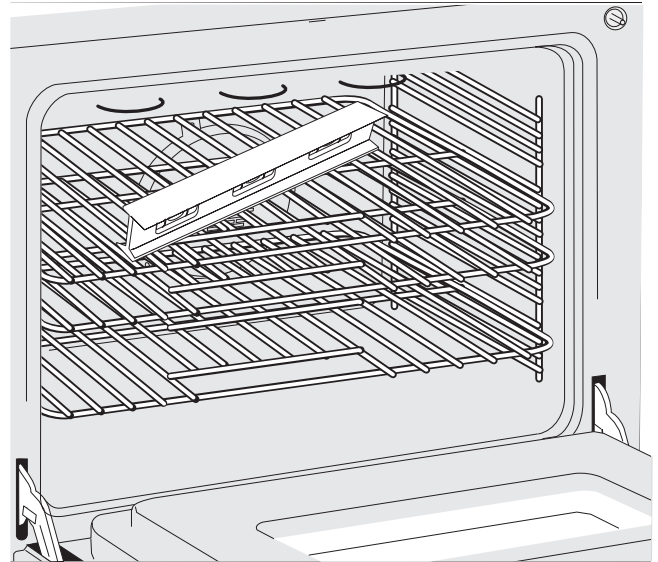


Figura 13: Utilice las parrillas del horno para nivelar el electrodoméstico

3. Nivele la cocina, si es necesario, ajustando los 4 niveladores de las patas con una llave (Figura 14).
4. Deslice la cocina en la abertura recortada y verifique que está nivelada. Si la cocina no está nivelada, extraiga la unidad y reajuste las patas de nivelado, o asegúrese de que el suelo esté nivelado.

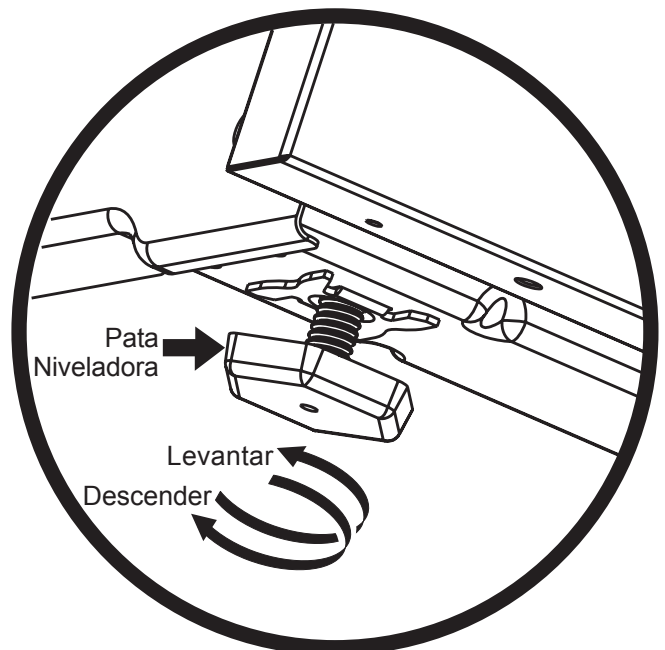


Figura 14: Ajuste de la altura del electrodoméstico

# INSTRUCCIONES DE INSTALACIÓN DE COCINA DE GAS DE 36"

## 8 Instalación del soporte antivuelco

**⚠ ADVERTENCIA** Para reducir el riesgo de vuelco del electrodoméstico, debe fijarse al piso con el soporte antivuelco y los tornillos incluidos con la cocina debidamente instalados. Estas piezas se encuentran en el horno. Si no instala el soporte antivuelco, la cocina puede volcarse en caso de que se le aplique un peso excesivo a la puerta abierta o si un niño se sube a ella. La caída de líquidos calientes o la propia cocina pueden provocar lesiones de gravedad.

Si se traslada la cocina a una ubicación diferente, los soportes antivuelco también deben trasladarse e instalarse con la cocina.

### Herramientas necesarias:

- Llave inglesa
- Trinquete
- Taladradora con broca de 1/8" (0.32 cm)
- LLave para tuercas de 5/16" (0.8 cm)
- Nivel

### 8.1 Localice el soporte usando la plantilla

El soporte puede situarse en el lado izquierdo o derecho de la cocina. Marque en el piso o la pared en lugar donde se encontrará el lado izquierdo o derecho de la cocina.

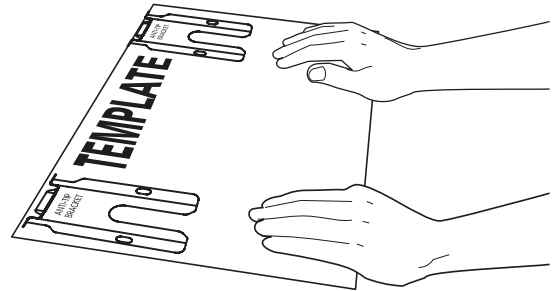


Figura 15: Plantilla para el soporte

Si la parte trasera de la cocina está contra un muro o a no más de 1 1/4" (3.2 cm) de un muro tras la instalación, puede utilizar el método de montaje en el piso o en un muro. Si hay alguna moldura decorativa instalada que no permite el encaje del soporte contra la pared, retire la moldura o monte el soporte sobre el piso.

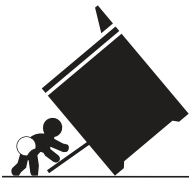
Para montaje en la pared, localice el soporte situando el borde trasero de la plantilla contra el muro trasero y el lado de la plantilla en la marca de referencia del lado de la cocina. Sitúe el soporte sobre la plantilla y marque la ubicación de los orificios en el muro.

Si la parte trasera de la cocina está a más de 1 1/4" (3.2 cm) de un muro tras la instalación, fije el soporte al piso. Para montaje en el piso, localice el soporte situando el borde trasero de la plantilla donde estará la parte trasera de la cocina.

Marque la ubicación de los orificios indicados en la plantilla.

### ⚠ ADVERTENCIA

#### Riesgo de volcamiento

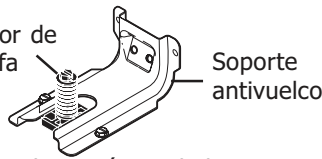


- Un niño o adulto puede volcar la estufa y acabar muerto.
- Verifique que se haya instalado el dispositivo antivuelco en el piso o en la pared.

- Asegúrese de que el dispositivo antivuelco se haya reacomplado cuando mueva la estufa sobre el piso o a la pared.
- No utilice la estufa sin el dispositivo antivuelco instalado y acoplado.
- Si no se siguen estas instrucciones, se puede provocar la muerte o quemaduras graves en niños y adultos.



Tornillo nivelador de la estufa



Soporte antivuelco

Para verificar si el soporte antivuelco está instalado correctamente, sostenga el borde trasero de la parte trasera de la estufa usando ambos brazos. Intente inclinar la estufa hacia adelante con cuidado. Si está instalada correctamente, la estufa no debería inclinarse hacia adelante.

Consulte las instrucciones de instalación del soporte antivuelco proporcionadas con la estufa para instalarlo adecuadamente.

# INSTRUCCIONES DE INSTALACIÓN DE COCINA DE GAS DE 36"

## 8.2 Perfore los orificios guía y fije el soporte

Perfore un orificio guía de 1/8" donde deban situarse los tornillos.

Si el soporte va a fijarse al muro, el orificio guía debe tener un ángulo aproximado de 20° hacia abajo. Si el soporte va a montarse en mampostería o pisos cerámicos, perfore un orificio guía de 3/16" (4,8 mm) y 1-3/4" de profundidad.

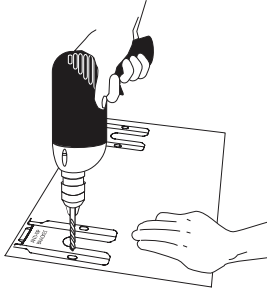


Figura 16: Perfore los orificios guía

Los tornillos suministrados pueden utilizarse en materiales como madera o concreto. Utilice una llave para tuercas de 5/16" o un destornillador de punta plana para fijar el soporte en su lugar.

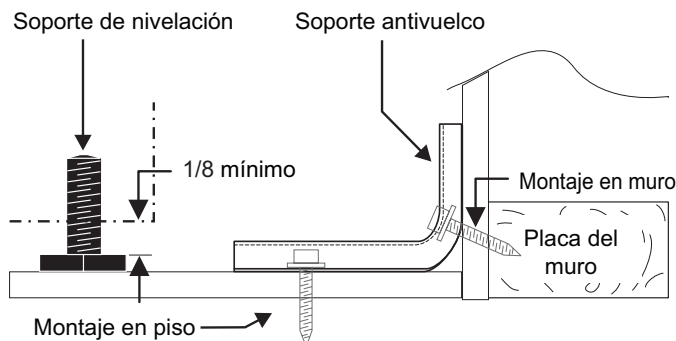


Figura 17: Fijación del soporte

## 8.3 Compruebe el nivelado y la posición de la cocina

Compruebe el nivelado de la instalación final. Nota: Es necesario un espacio mínimo de 1/8" entre la parte inferior de la cocina y la pata de nivelado para dejar espacio para el soporte. Utilice un nivel de burbuja para comprobar los ajustes.

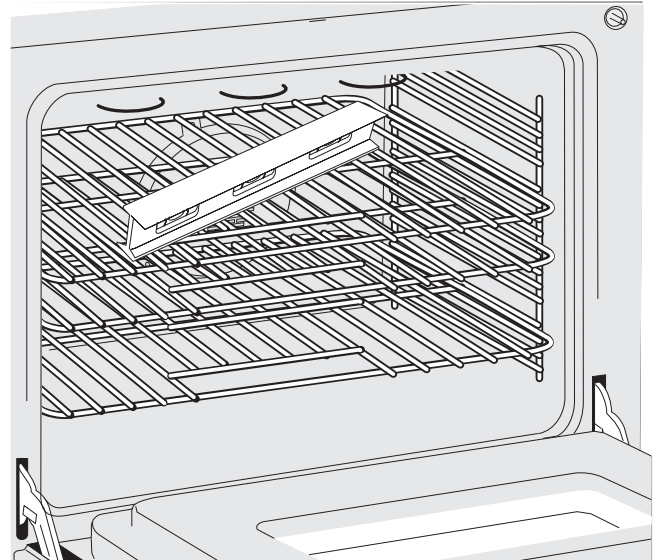


Figura 18: Utilice las parrillas del horno para nivelar el electrodoméstico.

Deslice la cocina hasta su posición.

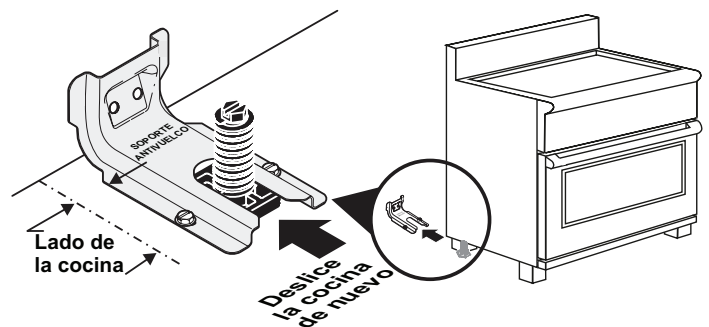


Figura 19: Deslice el electrodoméstico en el soporte

Para comprobar si el soporte antivuelco se ha instalado correctamente, sostenga con ambas manos el borde trasero de la parte trasera de estufa. Con cuidado, trate de inclinar la estufa hacia delante. Si está correctamente instalada, la estufa no se inclinará hacia delante.

Si se traslada la cocina a una ubicación diferente, los soportes antivuelco también deben trasladarse e instalarse con la cocina.

# INSTRUCCIONES DE INSTALACIÓN DE COCINA DE GAS DE 36"

## 9 Preparación de los conjuntos de quemador

### 9.1 Instalación de las tapas de los quemadores

**PRECAUCIÓN** Para evitar llamaradas, use la cubierta con todas las tapas de los quemadores correctamente instaladas.

1. Coloque la tapa del quemador sobre el cabezal correspondiente, haciendo coincidir el tamaño de la tapa con el tamaño del cabezal (consulte la figura 20). La tapa de cada quemador tiene un anillo interior de guía que centra correctamente la tapa sobre el cabezal del quemador.

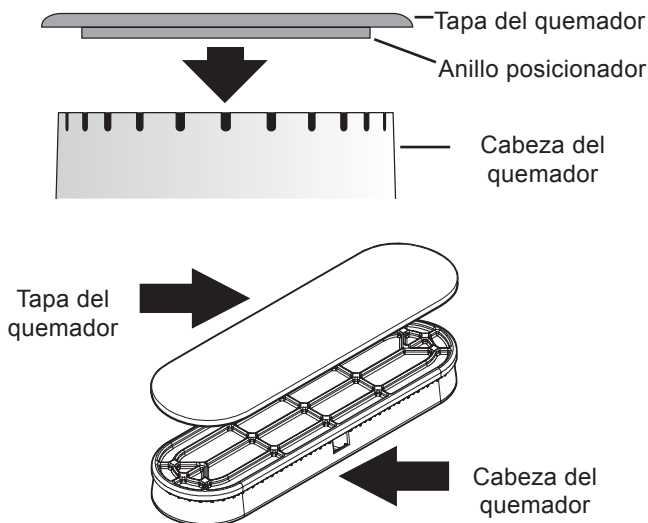


Figura 20: Conjunto de tapa del quemador

2. Asegúrese de que todas las tapas de quemador están correctamente alineadas y niveladas, como muestra la figura 21. Los quemadores pueden no encenderse o quemar uniformemente si las tapas no se colocan correctamente.

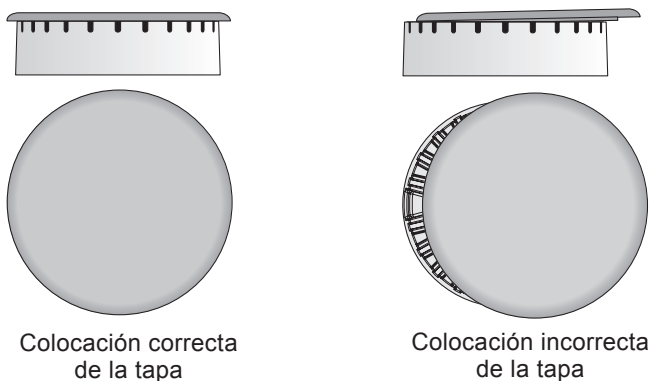


Figura 21: Colocación de la tapa del quemador

### 9.2 Comprobación del encendido de los quemadores de superficie

Deberá comprobar el funcionamiento de los ignitores eléctricos después de haber comprobado cuidadosamente que los conectores de la cocina y la línea de suministro no tengan fugas y de haber conectado la cocina a la corriente eléctrica.

Para comprobar el encendido adecuado:

1. Oprima y gire la perilla de un quemador de superficie hasta la posición de encendido. Todos los encendedores de la superficie emitirán chispas al mismo tiempo. Solo el quemador cuya perilla esté girando se encenderá.
2. El quemador de superficie debe encenderse cuando el caudal de gas llega a él. Cada quemador debe encenderse en un máximo de cuatro segundos durante la operación normal tras purgar el aire de las líneas de suministro. Compruebe visualmente si el quemador ha encendido.
3. Una vez encendido el quemador, debe retirarse la perilla de control de la posición LITE.

Encienda todos los quemadores de superficie y asegúrese de que se encienden correctamente y que las llamas son uniformes. Realice los ajustes necesarios.

### 9.3 Ajuste bajo de los quemadores de superficie

Para realizar el ajuste bajo de los quemadores de superficie:

1. Oprima la perilla hacia adentro y gírela a la posición LITE (encender) hasta que el quemador se encienda.
2. Gírela rápido al AJUSTE MÍNIMO.
3. Si el quemador se apaga, gire la perilla a la posición 'OFF' (apagado).
4. Retire la perilla del quemador superior.
5. Introduzca un destornillador delgado en la varilla hueca de la válvula y ajústelo sobre el tornillo que se encuentra adentro (Figura 22). El tamaño de la llama se puede aumentar o reducir girando el tornillo.
6. Ajuste la llama hasta que pueda girar la perilla rápidamente desde la posición de encendido hasta el ajuste mínimo sin que se apague la llama. La llama debe ser lo más pequeña posible sin que se apague.

# INSTRUCCIONES DE INSTALACIÓN DE COCINA DE GAS DE 36"

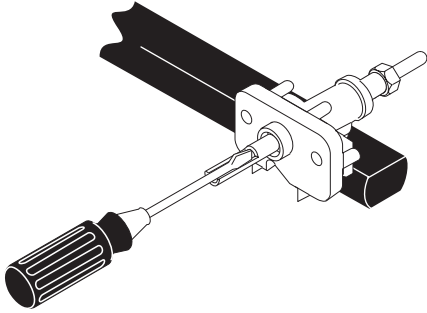


Figura 22: Gire para ajustar la llama de superficie

## Notas:

- El ajuste de la mezcla de aire no es necesario en los quemadores superiores.
- Algunos modelos tienen quemadores con dos llamas. La llama central de dichos quemadores no es ajustable.

## 10 Ajuste de los quemadores del horno

### 10.1 Quemadores con encendido eléctrico

Deberá comprobar el funcionamiento de los ignitores eléctricos después de haber comprobado cuidadosamente que los conectores de la cocina y la línea de suministro no tengan fugas y de haber conectado la cocina a la corriente eléctrica. El quemador del horno dispone de un sistema de control eléctrico además de un ignitor eléctrico para el quemador del horno. Si su modelo está equipado con un ignitor eléctrico para el quemador de rostizado de media altura, también tendrá ignitor eléctrico para el quemador. Estos sistemas de control no precisan ajuste. Cuando el horno opera, fluye corriente hasta el ignitor. Se "enciende" igual que una lámpara. Cuando el ignitor alcanza una temperatura suficiente para prender el gas, la válvula del horno con control eléctrico se abre y aparece una llama en el quemador del horno. Transcurren entre 30 y 60 segundos desde que se activa del termostato hasta que aparece la llama en el quemador del horno. Cuando el horno alcanza el ajuste de pantalla, el ignitor se apaga. La llama del quemador desaparece 20 o 30 segundos después de que se apague el ignitor. Para mantener cualquier temperatura en el horno, este ciclo se repite mientras lo indique el ajuste en pantalla.

Después de retirar los materiales de empaque y los documentos del horno:

1. Programe el horno para hornear, BAKE, a 300°F. Consulte las instrucciones de operación en la guía de uso y cuidado.
2. El quemador del horno debe encenderse en 60 segundos. Compruebe que la llama sea adecuada (consulte 10.2) y espere un ciclo de apagado del quemador. Devuelva la perilla a la posición de apagado.

3. Si su modelo está equipado con un quemador de rostizado de media altura, ajuste el horno en rostizado. Consulte las instrucciones de operación en la guía de uso y cuidado.
4. El quemador de rostizado debe encenderse en 60 segundos. Compruebe que la llama sea correcta. Devuelva la perilla a la posición de apagado.

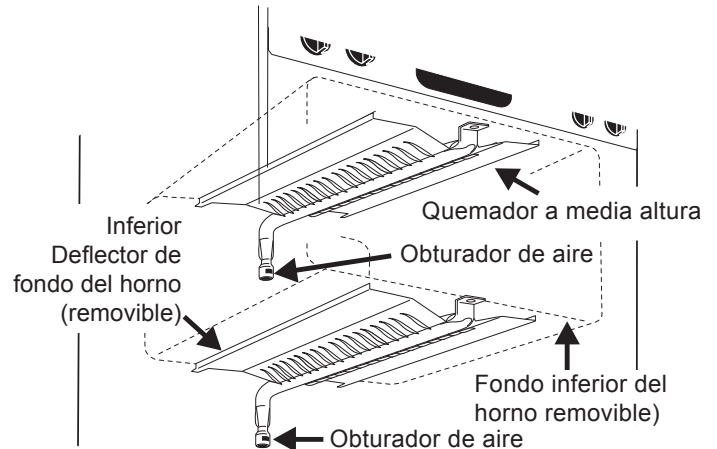


Figura 23: Quemadores del horno

### 10.2 Ajuste de la llama del horno

El largo aproximado de la llama del quemador del horno es de 1 pulgada (llama nítida de color azul en el cono interior).

Para saber si la llama del quemador del horno es adecuada, retire el fondo del horno y el deflector y ajuste el horno en horneado a 300°F.

Para quitar el fondo del horno, retire las parrillas del horno y las parrillas de escalera. Deslice el fondo del horno hacia adelante para liberar la lengüeta posterior. Levante y deslice hacia la parte trasera para desenganchar la parte delantera del fondo del horno del marco delantero del horno. Extraiga el fondo del horno de la cavidad. El difusor está unido al fondo del horno y no precisa desensamblaje posterior.

Si la llama es de color amarillo, aumente el tamaño de la abertura del obturador de aire (consulte "2" en la figura 24). Si toda la llama es de color azul, reduzca el tamaño de la abertura del obturador de aire.

Para ajustar la llama, afloje el tornillo de fijación (consulte "3" en la figura 24), ajuste el obturador de aire y apriete el tornillo de fijación. Vuelva a colocar el fondo del horno.

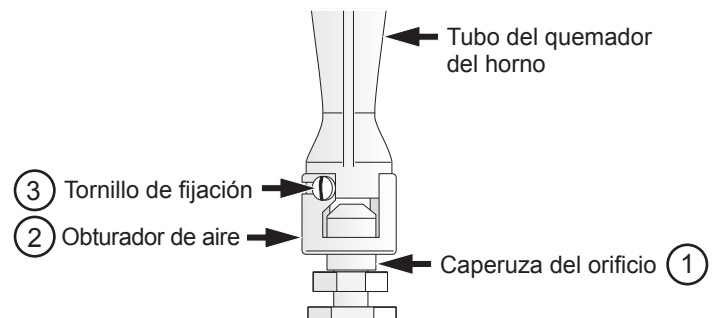


Figura 24: Ajustes del quemador del horno

# INSTRUCCIONES DE INSTALACIÓN DE COCINA DE GAS DE 36"

## 10.3 Ajuste de la llama de rostizado

El largo aproximado de la llama del quemador es de 1 pulgada (llama nítida de color azul en el cono interior). Para determinar si la llamada del quemador de en rostizado es la adecuada, ajuste el horno en rostizado. Si la llama es de color amarillo, aumente el tamaño de la abertura del obturador de aire (consulte "2" en la figura 24). Si toda la llama es de color azul, reduzca el tamaño de la abertura del obturador de aire. Para ajustar, afloje el tornillo de fijación (consulte "3" en la figura 24), ajuste el obturador de aire y apriete el tornillo de fijación.

## 11 Comprobación de la operación del horno

Consulte las instrucciones de uso y de cuidado y limpieza de la cocina en el manual de uso y cuidado incluido.

Quite todo el material de empaque del horno antes de probarlo.

El horno está equipado con un control electrónico. Todas las funciones se han comprobado en fábrica antes del envío. No obstante, recomendamos que verifique una vez más la operación de los controles electrónicos del horno. Consulte la operación en el manual del propietario. Siga las instrucciones para las funciones de reloj, temporizador, horneado, rostizado, convección y limpieza.

**Horneado**—Después de ajustar el horno en 350°F (177°C) para hornear, el quemador de horneado debe encenderse y la base de la cavidad del horno debe calentarse.

**Rostizado**—Cuando el horno se ajusta en BROIL, el elemento superior del horno debe cambiar a rojo.

**Limpieza**—Cuando se programa un ciclo de auto limpieza del horno, el elemento superior debe cambiar a rojo durante la fase de precalentamiento del ciclo. La base de la cavidad del horno debe calentarse mucho.

**Convección**—Cuando el horno se ajusta en CONV. BAKE/ROAST a 350°F (177°C), el quemador de horneado y la resistencia de convección van activándose y desactivándose. El ventilador de convección empieza a funcionar tras unos minutos del ciclo de precalentamiento. El ventilador de convección deja de girar al abrir la puerta durante el horneado o rostizado por convección.

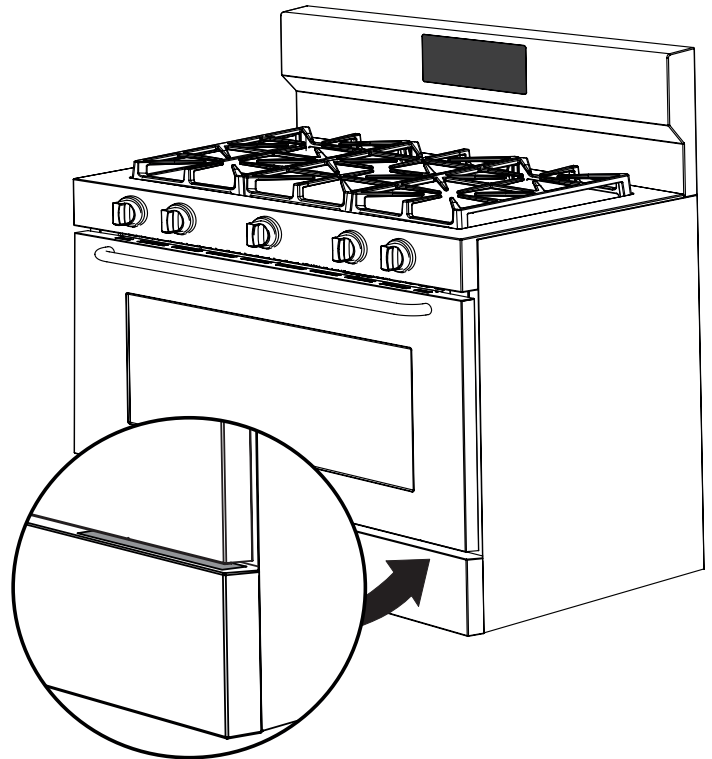
## 12 Después de la instalación

**Cuando estén realizadas todas las conexiones**

Compruebe que todos los controles queden en posición OFF (Apagado).

### Ubicación del modelo y número de serie

La placa de serie se encuentra en la parte superior del panel frontal inferior de la cocina y puede verse claramente con la puerta abierta. Cuando llame para pedir partes o hacer consultas sobre su cocina, tenga preparados los números de modelo y de serie. (figura 25).



**Figura 25: Ubicación del modelo y número de serie**

### Antes de solicitar servicio técnico

Lea la Lista de comprobación y las instrucciones de operación en su Guía de uso y cuidado. Puede ahorrarle tiempo y dinero. La lista incluye problemas habituales que no son resultado de deficiencias en mano de obra o materiales de este electrodoméstico.

Consulte en la información de garantía y servicio del manual del propietario nuestro número de teléfono y dirección. Llame o escriba si tiene alguna consulta sobre su cocina y/o necesita solicitar alguna parte.



# NOTICE D'INSTALLATION

## CUISINIÈRE AU GAZ DE 92 CM (36 PO)

L'INSTALLATION ET L'ENTRETIEN DOIVENT ÊTRE EFFECTUÉS  
PAR UN INSTALLATEUR QUALIFIÉ.

**IMPORTANT : CONSERVER CES INSTRUCTIONS AFIN QUE  
L'INSPECTEUR EN ÉLECTRICITÉ PUISSE LES CONSULTER.  
LIRE ET CONSERVER CES INSTRUCTIONS POUR CONSULTATION ULTÉRIEURE.**

**⚠ AVERTISSEMENT** POUR VOTRE SÉCURITÉ : Ne pas  
entreposer ni utiliser d'essence ou autres liquides  
et vapeurs inflammables près de cette cuisinière  
ou de tout autre appareil.



### Table des matières

Consignes de sécurité importantes .....	34-36	Installer les grilles du four .....	43
Dimensions du produit .....	37	Mise à niveau de la cuisinière .....	43
Dimensions des armoires .....	38	Installer l'appui antibasculement .....	44-45
Construction des armoires .....	39	Préparation des assemblages brûleur .....	46
Exigences électriques .....	39-40	Réglage des brûleurs du four .....	47
Cordon d'alimentation .....	40	Vérifier le fonctionnement du four .....	48
Exigences en matière d'alimentation en carburant .....	41	Après l'installation .....	48
Brancher la conduite d'alimentation en carburant .....	42	Emplacement de la plaque signalétique (modèle et numéro de série) .....	48

### Remarques importantes à l'installateur

1. Lisez toutes les instructions contenues dans ces notices avant l'installation.
2. Retirez tout le matériel d'emballage du four et des tiroirs avant de brancher l'alimentation de la cuisinière.
3. L'appui antibasculement fourni avec l'appareil doit être mis en place.
4. Respecter tous les codes et règlements applicables.
5. Veiller à laisser ces instructions au client.

### Note importante pour le consommateur

1. Conservez ces instructions avec votre guide du propriétaire pour vous y reporter.
2. Lors de l'utilisation de tout appareil ménager générant de la chaleur, vous devez respecter certaines mesures de sécurité. Ces mesures de sécurité sont expliquées dans votre mode d'emploi et d'entretien. Lisez attentivement votre manuel.
3. Assurez-vous que votre appareil est installé et mis à la terre par un installateur qualifié ou un technicien de service.

# NOTICE D'INSTALLATION – CUISINIÈRE AU GAZ DE 92 CM (36 PO)

## CONSIGNES DE SÉCURITÉ IMPORTANTES

Cet appareil doit être installé, mis à la terre et entretenu par un installateur qualifié ou un technicien de service.

Le manuel contient des symboles et des consignes importantes sur la sécurité. Veuillez tenir compte de ces symboles et respectez toutes les consignes. Ne tentez pas d'installer ou de faire fonctionner votre appareil avant d'avoir lu les consignes de sécurité contenues dans le manuel. Tout au long de ce manuel, vous verrez des consignes de sécurité étiquetées MISE EN GARDE ou PRUDENCE en fonction du type de risque.

Les mises en garde et consignes importantes figurant dans le guide ne sont pas destinées à couvrir toutes les conditions et situations qui peuvent se produire. Vous devez faire preuve de bon sens, d'attention et de prudence lors de l'installation, de l'entretien ou de l'utilisation de votre appareil.

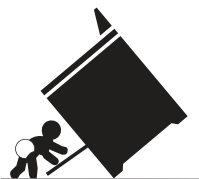
**⚠** Voici le symbole d'alerte de sécurité. Il sert à vous mettre en garde contre les risques potentiels de lésions corporelles. Respectez toutes les consignes de sécurité qui suivent ce symbole afin d'éviter les blessures ou la mort.

**⚠ AVERTISSEMENT** Indique une situation potentiellement dangereuse qui, si elle n'est pas évitée, peut entraîner la mort ou des blessures graves.

**⚠ ATTENTION** Indique une situation potentiellement dangereuse qui, si elle n'est pas évitée, peut entraîner des blessures mineures ou modérées.

**IMPORTANT** : Indique l'installation, l'exploitation, l'entretien, ou de l'information précieuse qui n'est pas liée à un risque.

### **⚠ AVERTISSEMENT** **Risque de basculement**

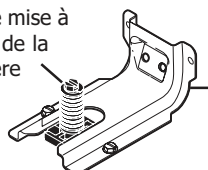


- Un enfant ou un adulte peut faire basculer la cuisinière et en décéder.
- Vérifiez que le dispositif anti-renversement a été fixé au plancher ou au mur.

- Assurez-vous d'enclencher le dispositif anti-renversement lorsque la cuisinière est déplacée sur le plancher ou contre le mur.
- Ne faites pas fonctionner la cuisinière si le dispositif anti-renversement n'est pas en place et enclenché.
- Le non-respect de ces instructions peut causer des blessures fatales ou de graves brûlures aux enfants et aux adultes.



Pied de mise à niveau de la cuisinière



Support anti-renversement

Pour vérifier si le support anti-renversement est correctement installé, attrapez le bord arrière de la cuisinière à deux mains, et essayez doucement de faire basculer la cuisinière vers l'avant. Lorsque le support est correctement installé, la cuisinière ne doit pas basculer vers l'avant.

Reportez-vous aux instructions d'installation du support anti-renversement fournies avec la cuisinière pour vous assurer que l'installation est effectuée de façon appropriée.

**⚠ AVERTISSEMENT** Si les directives contenues dans ce manuel ne sont pas suivies à la lettre, il peut en résulter un incendie ou une explosion entraînant des dommages matériels, des lésions corporelles ou la mort

### POUR VOTRE SÉCURITÉ :

- Ne pas entreposer ni utiliser d'essence ou autres liquides ou vapeurs inflammables à proximité de cet appareil ou de tout autre appareil.
- QUE FAIRE SI VOUS SENTEZ UNE ODEUR DE GAZ :
  - N'essayez pas d'allumer l'appareil.
  - Ne touchez à aucun interrupteur électrique; n'utilisez aucun téléphone qui se trouve dans votre bâtiment.
  - Appelez immédiatement votre fournisseur de gaz de chez un voisin. Suivez les instructions du fournisseur.
  - Si vous ne pouvez pas joindre votre fournisseur de gaz, appelez le service des incendies.
- L'installation et l'entretien doivent être effectués par un installateur qualifié, un réparateur ou votre fournisseur de gaz.

# NOTICE D'INSTALLATION – CUISINIÈRE AU GAZ DE 92 CM (36 PO)

## ⚠ AVERTISSEMENT

- **Risque de poids excessif** –demander deux personnes ou plus pour la déplacer et l'installer. Le non-respect de cette consigne peut causer de blessures au dos ou ailleurs.
- **Rangement dans ou sur l'électroménager** –les matériaux inflammables ne doivent pas être rangés dans un four ou un four micro-ondes, près de brûleurs de surface ou des éléments, dans le tiroir de rangement ou le réchaud (si équipé). Cela comprend le papier, plastique, tissu et autres éléments comme les livres de cuisine, la vaisselle en plastique et les serviettes, ainsi que les liquides inflammables. Ne pas ranger des matières explosives comme les aérosols sur ou près de l'appareil.
- **Ne pas laisser les enfants seuls** – les enfants ne doivent pas être laissés seuls ou sans surveillance dans la zone où l'électroménager est en cours d'utilisation. On ne doit jamais leur permettre de s'asseoir ou à se tenir sur une partie quelconque de l'électroménager, y compris le tiroir de rangement, le tiroir de grillage inférieur, le tiroir-réchaud ou le four double inférieur.
- Éviter de ranger des éléments d'intérêt pour les enfants dans les armoires au-dessus de l'électroménager ou sur le garde arrière de la cuisinière. Les enfants qui grimpent sur ou près de l'électroménager pour atteindre des éléments d'intérêt peuvent se blesser gravement.
- Grimper, se pencher ou s'asseoir sur la porte ou les tiroirs de l'électroménager peut entraîner des blessures graves et endommager la cuisinière.
- Ne pas utiliser le four ou le tiroir-réchaud (si équipé) pour le rangement.
- Ne jamais utiliser votre électroménager comme radiateur pour chauffer ou réchauffer la pièce. Cela peut entraîner une intoxication au monoxyde de carbone et une surchauffe de l'appareil.
- Ne pas entreposer ni utiliser d'essence ou autres liquides et vapeurs inflammables près de cette cuisinière ou de tout autre appareil.
- Ne jamais couvrir les fentes, les trous ou les passages d'air dans le bas du four ou couvrir l'ensemble d'un four avec tout matériel comme le papier d'aluminium ou un revêtement amovible pour intérieur de fours acheté sur le marché. Le papier d'aluminium et les autres revêtements piègent la chaleur et entraînent un risque d'incendie.
- Un rideau d'air ou d'autres hottes qui soufflent de l'air vers le bas sur une cuisinière ou une surface de cuisson ne doivent pas être utilisées avec les cuisinières au gaz ou les surfaces de cuisson sauf celles qui ont été conçues, mises à l'essai et homologuées par un laboratoire d'essai indépendant pour une utilisation combinée.

## INSTRUCTIONS IMPORTANTES POUR LE DÉBALLAGE ET L'INSTALLATION

Lisez et suivez les instructions ci-dessous et les précautions de déballage, d'installation et d'entretien de votre appareil :

- Détruire la boîte en carton et les sacs en plastique après avoir déballé l'appareil. Ne jamais laisser les enfants jouer avec des matériaux d'emballage. Ne pas retirer l'étiquette et les autres documents joints à l'appareil. Ne pas retirer la plaque signalétique indiquant le numéro de série et le modèle.
- Les températures froides peuvent endommager l'électronique de commande. Lors de la première mise en marche de l'appareil, ou lorsque l'appareil n'a pas été utilisé pendant une longue période, s'assurer qu'il a été maintenu à des températures supérieures à 0 °C (32 °F) pendant au moins 3 heures avant de le mettre en marche.
- Ne jamais modifier ou altérer la construction de l'appareil en retirant les pieds de mise à niveau, les panneaux, cache-fils, appui antibasculement et vis, ou toute autre pièce de l'appareil.
- Installation conforme – assurez-vous que l'appareil est correctement installé et mis à la terre par un technicien qualifié. Aux États-Unis – installation en conformité avec le National Fuel Gas Code ANSI Z223.1/NPFA No 54, dernière édition et National Electrical Code NFPA no 70, dernière édition, et les exigences du code électrique local. Au Canada, l'installation conformément à la norme CAN/CGA B149.1 et CAN/CGA B149.2 et CSA C22.1, code électrique canadien, Partie 1– dernières éditions et les exigences du code électrique local. Installer uniquement en suivant les notices d'installation fournies avec la documentation de l'appareil.
- L'installation des appareils ménagers conçus pour les maisons mobiles doit être conforme à la norme Manufactured Home Construction and Safety Standard, intitulé 24CFR, partie 3280 (anciennement la Federal Standard for Mobile Home Construction and Safety, intitulé 24, HUD (280)) ou lorsque de telles normes ne s'appliquent pas, la norme Standard for Manufactured Home Installation 1982 (Manufactured Home Sites, Communities and Setups), ANSI Z225.1/NFPA 501A - dernière édition, ou aux codes locaux aux États-Unis et à la norme CAN/CSA-Z240 MH au Canada.
- Avant d'installer la cuisinière sur un plancher recouvert de linoléum ou de tout autre revêtement de sol synthétique, assurez-vous que le revêtement de sol peut supporter la chaleur d'au moins 32,2 °C (90 °F) au-dessus de la température ambiante, sans rétrécissement, déformation ou sans se décolorer. Éviter d'installer la cuisinière sur les tapis, à moins de placer un tapis isolant ou d'une feuille de contreplaqué de 0,64 cm (¼ po) d'épaisseur entre la cuisinière et le tapis.
- Veiller à ce que le revêtement des murs et de l'armoire autour de la cuisinière puisse résister à la chaleur générée par l'électroménager.

# NOTICE D'INSTALLATION – CUISINIÈRE AU GAZ DE 92 CM (36 PO)

- Pour éliminer le risque de brûlures ou d'incendie en tentant d'atteindre des objets situés au-dessus des ronds, il est déconseillé d'installer des armoires au-dessus de la surface chauffante. S'il est nécessaire d'en installer, on peut en réduire les risques en installant une hotte qui projette à l'horizontale d'un minimum de 12,700 cm (5 po) au-delà de la partie inférieure de l'armoire.
- Éviter d'obstruer le passage de l'air à l'évent du four, autour de la base, ou sous la partie inférieure du panneau avant de l'appareil. Cet électroménager nécessite un apport d'air frais pour assurer son bon fonctionnement.
- Veiller à disposer d'un extincteur à mousse adéquat, visible, facilement accessible et situé à proximité de l'appareil.

## INSTRUCTIONS PARTICULIÈRES POUR LES APPAREILS INSTALLÉS DANS L'ÉTAT DU MASSACHUSETTS

Cet électroménager peut uniquement être installé dans l'État du Massachusetts, par un plombier ou un monteur d'installations au gaz accrédité par l'État du Massachusetts. Si vous utilisez un raccord de gaz flexible, il ne doit pas mesurer plus que {0,914 m (91,440 cm) [3 pieds (36 pouces)]} de long. Un robinet d'arrêt manuel avec poignée en « T » doit être installé dans la conduite d'alimentation en gaz de l'électroménager.

## CONVERSION AU GPL

Cet appareil peut être converti au gaz de pétrole liquéfié (GPL).

**⚠ AVERTISSEMENT** Il peut se produire une décharge électrique ou des blessures, voire la mort, si la conversion au GPL n'est pas effectuée par un installateur qualifié ou un électricien. Tout ajout, toute modification ou toute conversion requise par l'électroménager dans le but de répondre aux exigences de l'application doit être effectuée par un technicien qualifié.

Si la conversion au GPL est nécessaire, demander l'aide de votre prestataire de services GPL. Le nécessaire de conversion au GPL est fourni avec l'électroménager; il est localisé sur le panneau ARRIÈRE inférieur de la cuisinière. Avant d'installer le nécessaire, lire attentivement les directives de conversion au GPL et les suivre à la lettre durant l'installation.

## CONSIGNES IMPORTANTES POUR LE SERVICE ET L'ENTRETIEN

- Ne pas réparer ou remplacer toute pièce de l'appareil sauf si le manuel vous y autorise. Toute autre réparation doit être effectuée uniquement par un technicien qualifié. Cela réduit les risques de lésions corporelles et de dommages à l'appareil.
- Consultez toujours votre revendeur, distributeur, réparateur ou le fabricant au sujet de problèmes ou de conditions que vous ne comprenez pas.
- Demandez à votre concessionnaire de recommander un technicien qualifié et un service de réparation agréé. Apprenez comment débrancher l'alimentation de l'appareil au niveau du disjoncteur ou des fusibles en cas d'urgence.
- Retirez la porte de tout four s'il est inutilisé, destiné à l'entreposage ou à la mise au rebut.
- Évitez de toucher l'ampoule chaude du four avec un chiffon humide. Cela peut provoquer la rupture de l'ampoule. Manipuler les lampes halogènes (si équipé) avec des serviettes en papier ou des gants souples. Débrancher l'électroménager ou couper l'alimentation avant de retirer et de remplacer l'ampoule.

# NOTICE D'INSTALLATION – CUISINIÈRE AU GAZ DE 92 CM (36 PO)

## Dimensions du produit

**⚠ AVERTISSEMENT** N'installez pas l'appareil dans l'armoire avant de lire les deux pages suivantes.

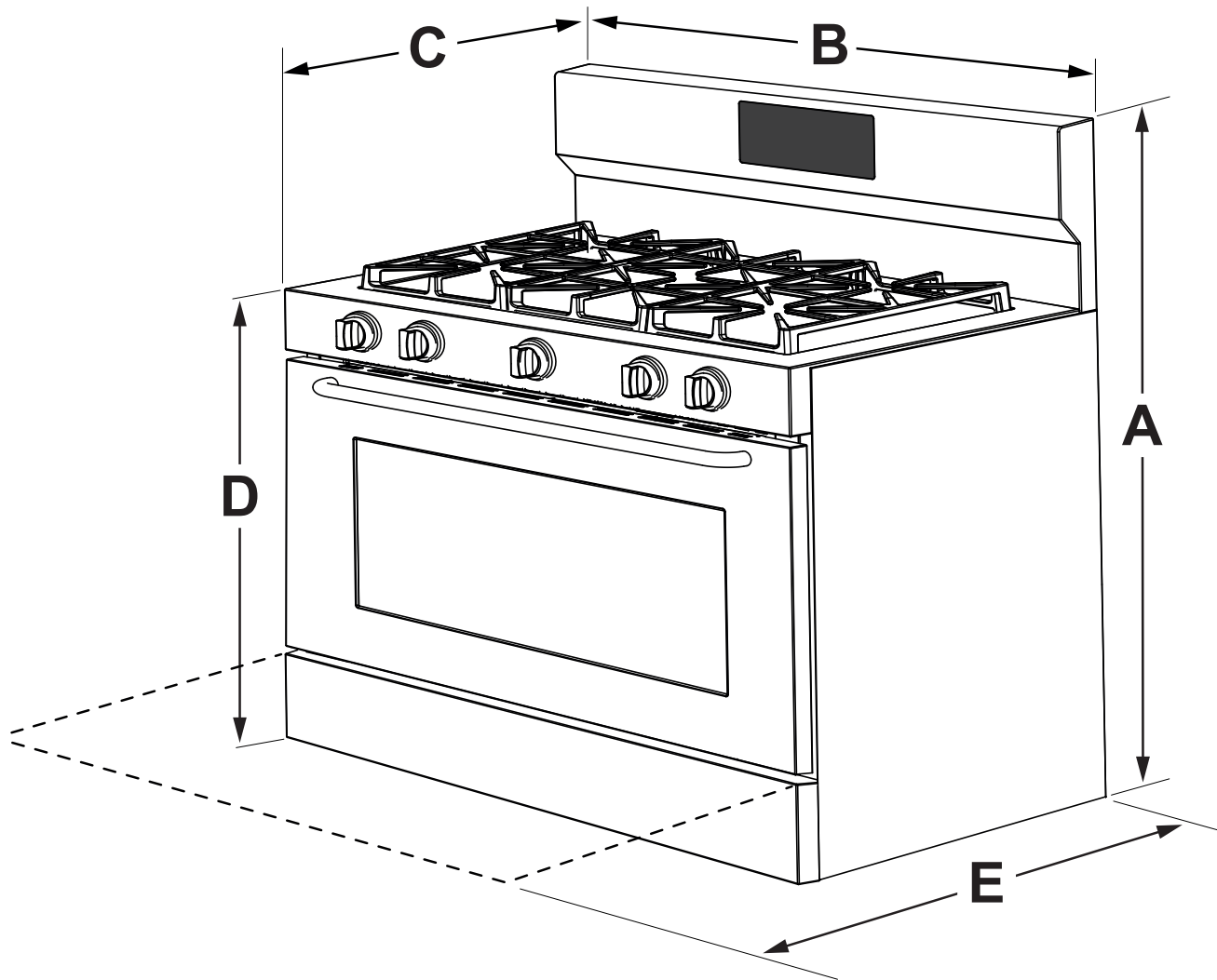


Figure 1 : Dimensions du produit

MODÈLE	A. HAUTEUR	B. LARGEUR	C. PROFONDEUR D'ARRIÈRE À L'AVANT DE LA CUISINIÈRE	D. HAUTEUR DE LA SURFACE DE CUISSON	E. PROFONDEUR AVEC PORTE OUVERTE
36"	Max 124,5cm (49 po)	91,4cm (36 po)	72,4 cm (28½ po) max	Max 91,4cm (36 po)	121,3 cm (47 3/4 po)

# NOTICE D'INSTALLATION – CUISINIÈRE AU GAZ DE 92 CM (36 PO)

## Dimensions des armoires

### Dimensions et dégagements

- Fournir un dégagement adéquat entre l'appareil et les surfaces combustibles adjacentes.
- Emplacement – vérifier l'emplacement où l'appareil sera installé. Vérifier l'alimentation électrique et la stabilité du plancher.
- Les dimensions indiquées doivent être utilisées. Les dimensions données assurent un dégagement minimal. La surface de contact doit être solide et de niveau.

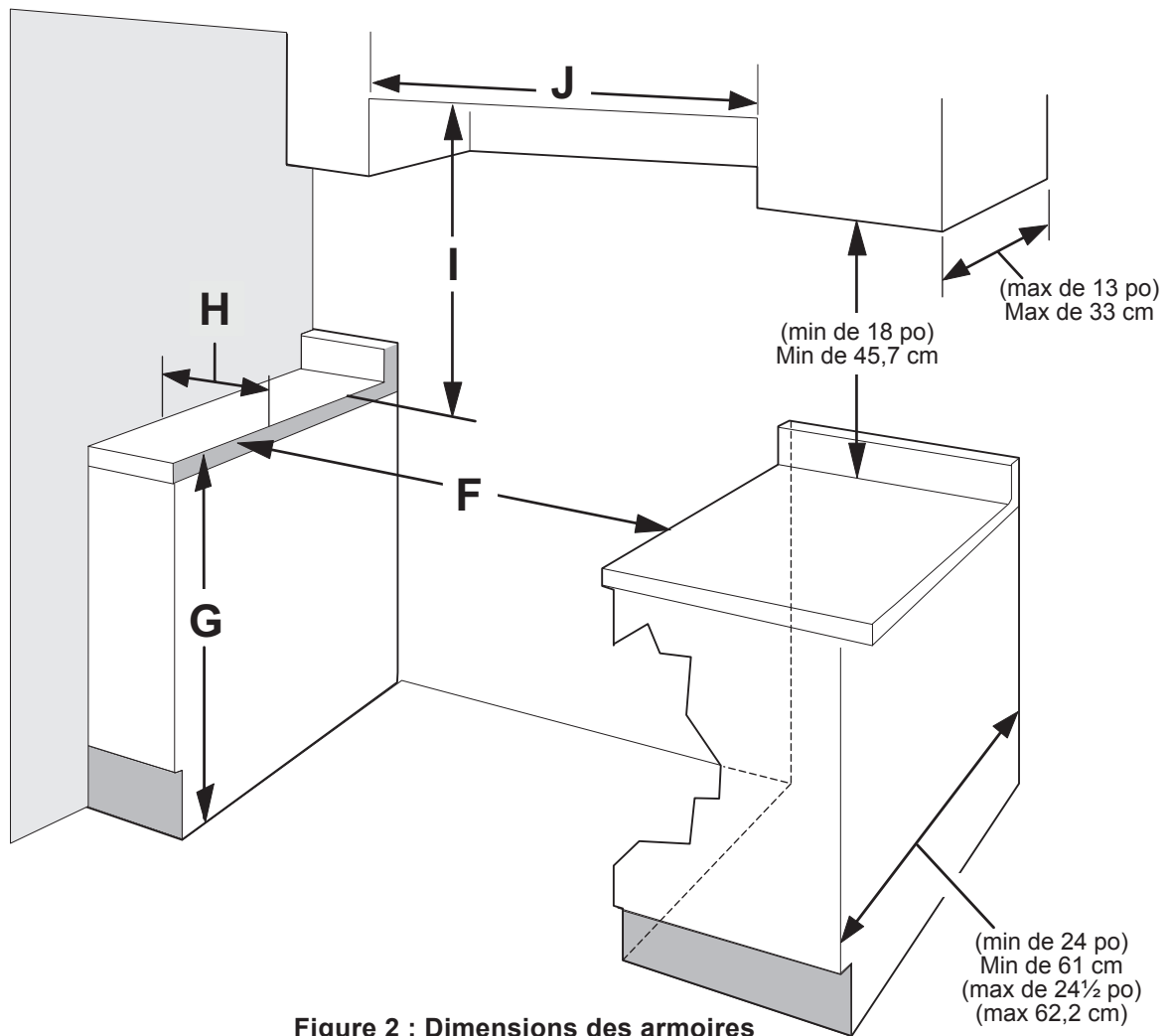


Figure 2 : Dimensions des armoires

MODÈLE	F. LARGEUR DE DÉCOUPE MINIMALE	G. HAUTEUR DU COMPTOIR	H. DÉGAGEMENT DES MURS LATÉRAUX <sup>2</sup>	I. ESPACEMENT ENTRE LA SURFACE DE CUISSON ET LE BAS DE L'ARMOIRE <sup>3</sup>	J. DÉGAGEMENT DES ARMOIRES SUPÉRIEURES
36"	92,1cm (36 1/4 po)	91,4 cm (36 po) standard Min 90,8cm (35¾ po)	Min 12,7cm (5 po)	Min 91,4cm (36 po)	Min 91,4cm (36 po)

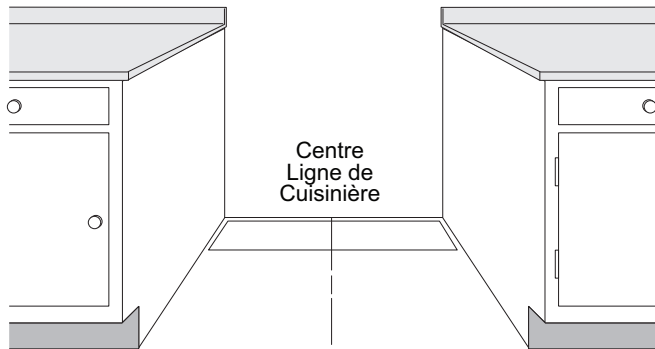
### REMARQUES :

1. Ne pas appuyer la cuisinière sur les côtés des armoires.
2. Dégagement des murs adjacents, des armoires ou autres surfaces verticales.
3. Les mesures indiquées représentent le minimum d'espacement entre la surface de cuisson et le bas de l'armoire.
4. Aucun jeu [0 cm (0 po)] entre la cuisinière et les armoires ou les surfaces verticales situées en dessous de la surface de cuisson.
5. Aucun jeu [0 cm (0 po)] entre l'arrière de la cuisinière et le mur ou les armoires.

# NOTICE D'INSTALLATION – CUISINIÈRE AU GAZ DE 92 CM (36 PO)

## 1 Construction des armoires

**ATTENTION** Pour éliminer le risque de brûlures ou d'incendie en tentant d'atteindre des objets situés au-dessus des ronds, il est déconseillé d'installer des armoires au-dessus de la cuisinière. Si on retrouve une armoire au-dessus de la cuisinière, il faut réduire les risques en installant une hotte projetant à l'horizontale d'un minimum de 12,7 cm (5 po) au-delà de la partie inférieure de l'armoire.



Suivez les instructions propres à votre genre d'installation

Figure 3 : Fabrication des armoires

### 1.1 Installation : Armoire des deux côtés

1. Pour installer la cuisinière avec une armoire sur deux côtés, tracer une ligne centrale sur le plancher entre les armoires (Figure 3).
2. Si l'arrière de la cuisinière n'effleure pas le mur (l'emplacement de la prise murale n'autorise pas un positionnement contre le mur), tracer une ligne sur le sol pour démarquer l'arrière de l'électroménager.
3. Installer les appuis antibasculement (voir « Installation de l'appui antibasculement »).

### 1.2 Installation : Armoire d'un seul côté

1. Pour installer la cuisinière avec une armoire d'un seul côté, la placer en sa position finale.
2. Tracer une ligne sur le sol le long du côté de la cuisinière qui n'est pas appuyée contre l'armoire. Si l'arrière de la cuisinière n'effleure pas le mur (l'emplacement de la prise murale n'autorise pas un positionnement contre le mur), tracer une ligne sur le sol pour démarquer l'arrière de l'électroménager.
3. Installer les appuis antibasculement (voir « Installation de l'appui antibasculement »).

### 1.3 Installation : Sans armoire

1. Pour installer la cuisinière sans armoire, la placer en sa position finale.
2. Tracer une ligne sur le sol le long des deux côtés de la cuisinière. Si l'arrière de la cuisinière n'effleure pas le mur (l'emplacement de la prise murale n'autorise pas un positionnement contre le mur), tracer une ligne sur le sol pour démarquer l'arrière de l'électroménager.
3. Installer les appuis antibasculement (voir « Installation de l'appui antibasculement »).

## 2 Exigences électriques

### AVERTISSEMENT

**Risque de décharge électrique** –cet appareil nécessite une mise à la terre électrique. Utiliser uniquement le cordon d'alimentation fourni avec l'appareil. Les mauvais raccords électriques ou les mises à la terre inadéquates peuvent entraîner une décharge électrique, des dommages à l'appareil, des blessures, un incendie, voire la mort.

### Exigences de mise à la terre

Cet électroménager doit être installé et mis à la terre par un technicien qualifié.

Aux États-Unis – installation en conformité avec le National Fuel Gas Code ANSI Z223.1/NPFA No 54, dernière édition et National Electrical Code NFPA no 70, dernière édition, et les exigences du code électrique local. Au Canada, l'installation conformément à la norme CAN/CGA B149.1 et CAN/CGA B149.2 et CSA C22.1, code électrique canadien, Partie 1– dernières éditions et les exigences du code électrique local.

L'appareil nécessite un circuit de dérivation de prise (CDP) distinct, polarisé, correctement mis à la terre et protégé par un disjoncteur différentiel de fuite à la terre (DDFT) ou un fusible temporisé de 15 A. Voir la bonne tension sur la plaque signalétique.

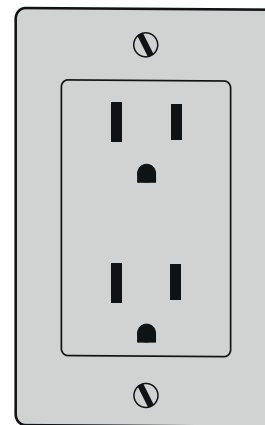


Figure 4 : Prise à 3 broches avec mise à la terre

Pour des raisons de sécurité, cet électroménager doit être correctement mis à la terre. Pour garantir une sécurité maximale, le cordon d'alimentation doit être branché dans une prise électrique de tension adéquate, être correctement polarisé et bien mis à la terre conformément aux codes locaux en vigueur. Il est de la responsabilité personnelle du client de fournir une prise électrique de tension adéquate, proprement installée par un électricien qualifié.

Veiller à ce que la prise murale soit à la portée de l'emplacement d'installation final.

Éviter de pincer le cordon d'alimentation entre la cuisinière et le mur.

# NOTICE D'INSTALLATION – CUISINIÈRE AU GAZ DE 92 CM (36 PO)

## Emplacement suggéré pour l'installation de la prise murale

L'emplacement suggéré pour la prise murale est illustré à la Figure 5. La prise peut également être située dans le coin inférieur gauche de l'armoire adjacente comme le montre la Figure 6..

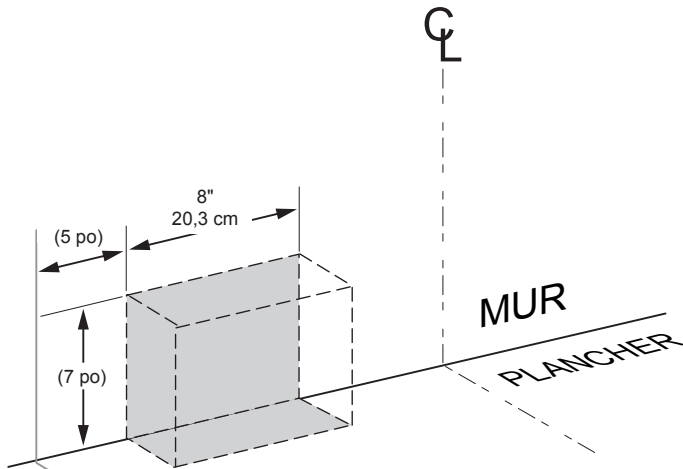


Figure 5 : L'emplacement de la prise derrière la cuisinière

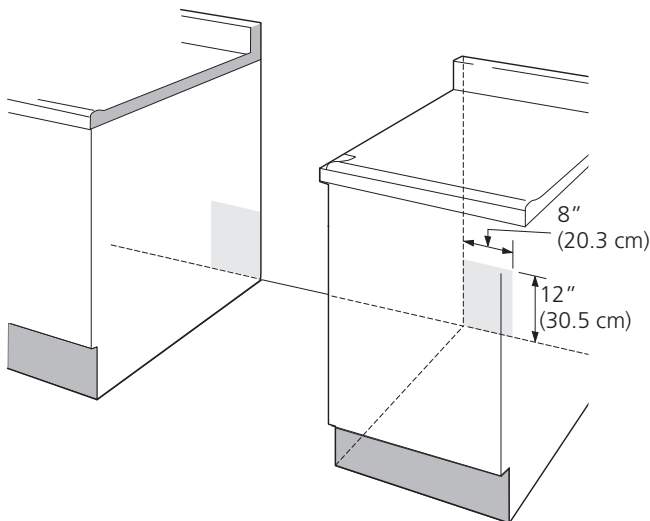


Figure 6 : Emplacement de la prise de l'armoire adjacente

## 3 Cordon d'alimentation

### ⚠ AVERTISSEMENT

**Risque de décharge électrique** – Ne pas tenter de connecter l'électroménager directement à une boîte de jonction, de modifier le cordon d'alimentation installé en usine ou de connecter un autre cordon d'alimentation. Si la prise murale ne suffit pas à subvenir aux exigences de l'électroménager, il est de la responsabilité du client de fournir une prise appropriée installée par un électricien. Une mauvaise installation et des connexions électriques inadéquates peuvent provoquer une décharge électrique, causer des dommages à l'appareil, de blessures, un incendie, voire la mort.

Cet appareil est muni d'une fiche à trois broches avec mise à la terre pour assurer votre protection contre les décharges électriques. Cette fiche doit être branchée directement dans une prise correctement mise à la terre. Ne pas couper ou de toute façon enlever ou contourner la broche de mise à la terre de cette prise.

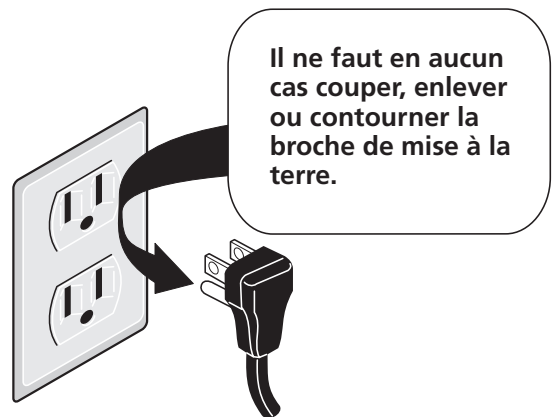


Figure 7 : Cordon d'alimentation installé en usine

Pour des raisons de sécurité personnelle, cet appareil doit être correctement mis à la terre. Pour une sécurité maximale, le cordon d'alimentation doit être branché dans une prise électrique correctement polarisée et convenablement mise à la terre.

Dans le cas d'une prise de courant murale à 2 broches, le client répond personnellement de sa responsabilité et de son obligation de la faire remplacer par une prise de courant murale conforme à 3 broches par un technicien qualifié.



# NOTICE D'INSTALLATION – CUISINIÈRE AU GAZ DE 92 CM (36 PO)

## 4 Exigences en matière d'alimentation en carburant

Cet appareil est conçu pour fonctionner avec une pression de collecteur de gaz naturel de 1,0 kPa, représentant une colonne d'eau de 10,16 cm (4 po).

Un régulateur de pression convertible est connecté au collecteur de la cuisinière et DOIT être raccordé en série avec l'alimentation en gaz. Le régulateur est situé à l'endroit indiqué sur la Figure 8.

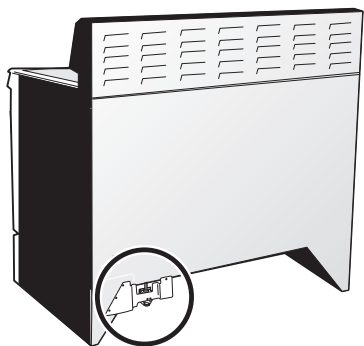


Figure 8 : Emplacement du régulateur

Pour assurer un bon fonctionnement, la pression d'entrée maximale au régulateur de pression ne doit pas dépasser 14 po (35,56 cm) de colonne d'eau (3,5 kPa).

La pression d'admission au régulateur doit être d'au moins 0,25 kPa (1 po) plus élevée que le réglage de pression du collecteur du régulateur. Le régulateur est réglé sur une colonne d'eau de 10,16 cm (4 po) (1,0 kPa) de pression au collecteur de gaz naturel; la pression d'entrée doit représenter au moins une colonne d'eau de 12,60 cm (5 po) de gaz naturel (1,25 kPa).

Pour fonctionner à 2000 pieds au-dessus du niveau de la mer, la cotation ÉnerGuide de l'électroménager est réduite de 4 pour cent par tranche de 1000 pieds.

### 4.1 Emplacement de l'approvisionnement en gaz

La tuyauterie d'alimentation en gaz naturel peut passer à travers la paroi de l'armoire de droite. Les armoires sont un endroit idéal pour le robinet d'arrêt si la cuisinière est installée à l'intérieur de celles-ci.

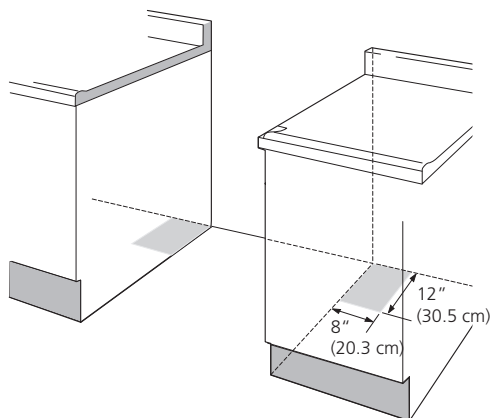


Figure 9 : Emplacement suggéré de l'approvisionnement en gaz

### 4.2 Robinet d'arrêt

La ligne d'alimentation doit être équipée d'un robinet d'arrêt approuvé comme illustré à la Figure 10. Le robinet doit être dans la même pièce que la cuisinière et doit se trouver dans un endroit facile d'accès pour l'ouvrir et le fermer. Ne pas bloquer l'accès au robinet d'arrêt. Le robinet sert à ouvrir ou fermer l'arrivée de gaz à l'appareil.

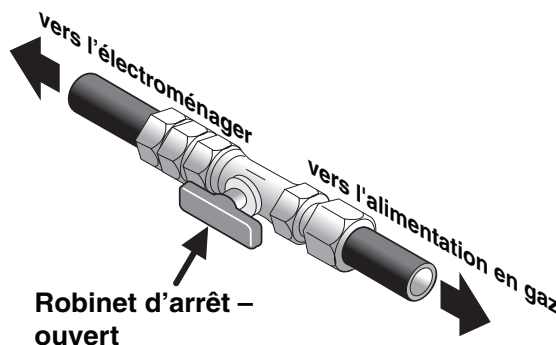


Figure 10 : Robinet d'arrêt

L'approvisionnement en gaz naturel entre le robinet d'arrêt et le régulateur peut être raccordé par tuyauterie rigide ou par union métallique flexible homologuée A.G.A./C.G.A. à la tuyauterie où les codes locaux le permettent.

L'utilisateur doit connaître l'emplacement du robinet d'arrêt et y avoir un accès facile.

### 4.3 La conversion au gaz de pétrole liquéfié (L.P.)

Cet appareil peut être converti au gaz de pétrole liquéfié (GPL).

**⚠ AVERTISSEMENT** Il peut se produire une décharge électrique ou des blessures, voire la mort, si la conversion au GPL n'est pas effectuée par un installateur qualifié ou un électricien. Tout ajout, toute modification ou toute conversion requise par l'électroménager dans le but de répondre aux exigences de l'application doit être effectuée par un technicien qualifié.

Si la conversion au GPL est nécessaire, demander l'aide de votre prestataire de services GPL. Le nécessaire de conversion au GPL est fourni avec l'électroménager; il est localisé sur le panneau ARRIÈRE inférieur de la cuisinière. Avant d'installer le nécessaire, lire attentivement les directives de conversion au GPL et les suivre à la lettre durant l'installation.

Pour le GPL ou le propane, le régulateur doit être réglé sur une pression de colonne d'eau de 10 po (25,4 cm) (2,5 kPa) au collecteur de gaz naturel; la pression d'entrée doit représenter au moins une colonne d'eau de 27,9 cm (11 po) de gaz naturel (2,75 kPa).

# NOTICE D'INSTALLATION – CUISINIÈRE AU GAZ DE 92 CM (36 PO)

## 5 Brancher la conduite d'alimentation en carburant

### 5.1 Raccord d'alimentation en carburant

**⚠ AVERTISSEMENT** Cet appareil doit être installé, mis à la terre et entretenu par un installateur qualifié ou un technicien de service.

**⚠ ATTENTION** Éviter de trop serrer les raccords. Le régulateur est coulé sous pression. Un serrage excessif peut fissurer le régulateur entraînant une fuite de gaz et des risques d'incendie ou d'explosion.

L'électroménager comprend un régulateur. L'alimentation en gaz nécessite les pièces suivantes qui ne sont pas fournies avec l'appareil :

- Robinet d'arrêt manuel
- Mamelons de 127 mm (1/2 po) (2)
- Adaptateur de raccord conique de 127 mm (1/2 po) (2)
- Raccord flexible

L'alimentation en gaz au robinet d'arrêt doit être 127 mm (1/2 po) ou de 190 mm (3/4 po).

Installer le tuyau d'alimentation en gaz du régulateur de pression dans l'ordre indiqué à la Figure 11. Tous les raccords doivent être serrés avec une clé.

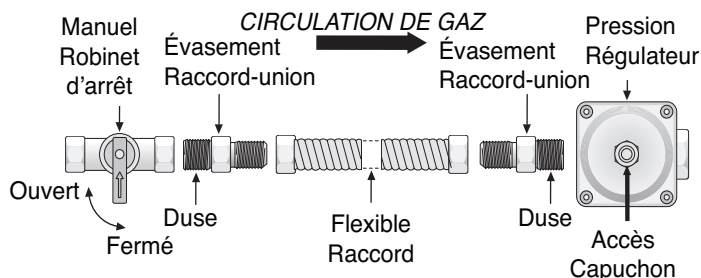


Figure 11 : Flux du carburant dans le raccord

Si on utilise des conduites de gaz flexible pour la cuisinière, laisser suffisamment de mou pour tirer l'électroménager hors de la découpe pour le nettoyage ou l'entretien.

Utiliser une pâte à joint projetée pour l'usage avec le GLP ou le gaz propane pour sceller tous les raccords de gaz. Si des raccords flexibles sont utilisés, veiller à ce qu'ils ne soient pas déformés.

Éviter de coincer le conduit flexible entre le mur et la cuisinière.

### 5.2 Vérifier la présence de fuites

**⚠ AVERTISSEMENT** Ne pas utiliser une flamme pour détecter des fuites de gaz naturel. La recherche de fuites avec une flamme peut provoquer un incendie ou une explosion.

Après avoir raccordé la cuisinière à l'arrivée de gaz, vérifier l'étanchéité du circuit avec un manomètre. Si un manomètre n'est pas disponible, ouvrir l'alimentation en gaz et utiliser un détecteur de fuite liquide (ou de l'eau et du savon) à tous les joints et les raccords pour détecter les fuites. Des bulles apparaissent aux raccords ou aux joints en présence d'une fuite.

Toutes les ouvertures dans le mur ou le plancher où la cuisinière est installée doivent être scellées.

1. Le cas échéant, serrer tous les raccords pour prévenir toute fuite de gaz dans la conduite d'alimentation ou à la surface de cuisson.
2. Débrancher la cuisinière et son robinet d'alimentation en gaz de la tuyauterie du système durant tout essai de pression supérieure à 1/2 lb/po2 [3,5 kPa ou 35,56 cm (14 po) de colonne d'eau].
3. Isoler la cuisinière de la tuyauterie d'alimentation en gaz en fermant son robinet d'arrêt manuel pendant tout essai de pression du système de tuyauterie d'alimentation en gaz à des pressions d'essai égales ou inférieures à 1/2 lb/po2 [3,5 kPa ou 35,56 cm (14 po) de colonne d'eau].

## 6 Installer les grilles de four

Les grilles de four sont soutenues à l'intérieur de la cavité du four par deux échelles installées sur les parois.

1. Placer l'échelle avec ses crochets vers le haut dans les supports situés sur les parois du four (voir la Figure 12).

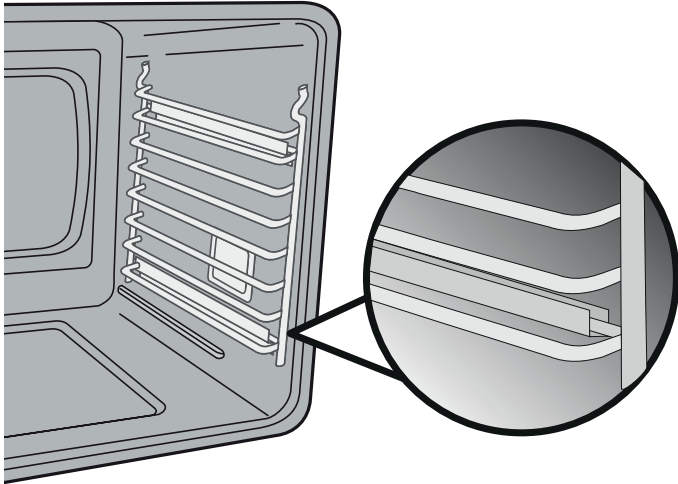


Figure 12 : Échelle de support des grilles

2. Placer les grilles à plat dans le four à la position souhaitée.

Pour faciliter l'installation et leur déplacement, appliquer une fine couche d'huile de cuisson sur les côtés des grilles qui viennent en contact avec les supports de l'échelle.

## 7 Mise à niveau de la cuisinière

Mettre la cuisinière de niveau et régler la hauteur de la surface de cuisson avant de l'installer dans la découpe (le cas échéant).

1. Installer une grille au centre du four.
2. Placer un niveau sur la grille (figure 13). Faire 2 relevés avec le niveau en diagonale dans un sens puis dans l'autre.

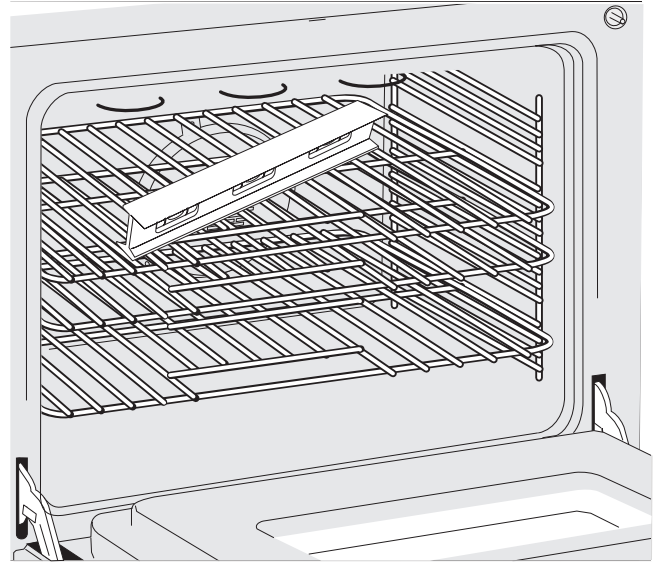


Figure 13 : Utiliser la grille du four pour mettre l'électroménager de niveau

3. Le cas échéant, mettre la cuisinière de niveau en ajustant les quatre pieds niveleurs avec une clé (Figure 14).
4. Faire glisser la cuisinière dans la découpe et vérifier deux fois le niveau. Si la cuisinière n'est pas de niveau, la tirer hors de la découpe et réajuster les pieds de mise à niveau, ou s'assurer que le plancher est de niveau.

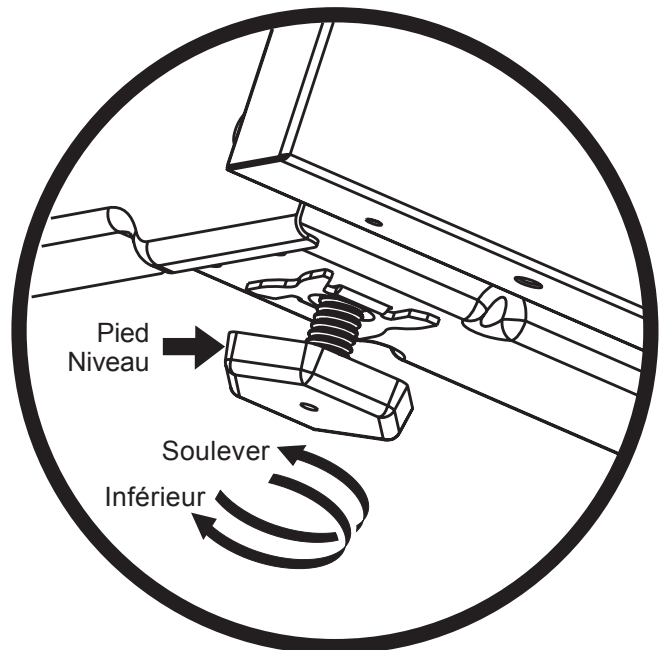


Figure 14 : Réglage de la hauteur de l'électroménager

## 8 Installer l'appui antibasculement

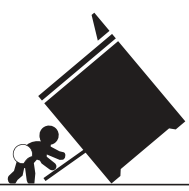
**⚠ AVERTISSEMENT** Pour réduire le risque de renversement, l'électroménager doit être fixé au sol à l'aide de l'appui antibasculement correctement installé à l'aide des vis fournies. Ces pièces sont expédiées dans le four. Ne pas installer l'appui antibasculement permettra à cuisinière de basculer si un poids excessif est placé sur une porte ouverte ou si un enfant monte dessus. Des blessures graves peuvent résulter d'un déversement de liquides chauds ou du basculement de la cuisinière.

Si jamais la cuisinière est déplacée ailleurs, l'appui antibasculement doit suivre et être réinstallé.

### Outils nécessaires :

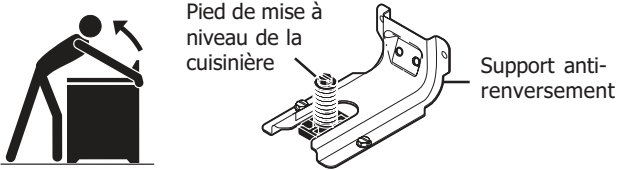
- Clé à molette
- Clé à cliquet
- Perceuse et foret de 1/8 po (320 mm)
- Tournevis à douille de 5/16 po (0,8 cm)
- Niveau

**⚠ AVERTISSEMENT**  
**Risque de basculement**



- Un enfant ou un adulte peut faire basculer la cuisinière et en décéder.
- Vérifiez que le dispositif anti-renversement a été fixé au plancher ou au mur.

- Assurez-vous d'enclencher le dispositif anti-renversement lorsque la cuisinière est déplacée sur le plancher ou contre le mur.
- Ne faites pas fonctionner la cuisinière si le dispositif anti-renversement n'est pas en place et enclenché.
- Le non-respect de ces instructions peut causer des blessures fatales ou de graves brûlures aux enfants et aux adultes.



Pied de mise à niveau de la cuisinière

Support anti-renversement

Pour vérifier si le support anti-renversement est correctement installé, attrapez le bord arrière de la cuisinière à deux mains, et essayez doucement de faire basculer la cuisinière vers l'avant. Lorsque le support est correctement installé, la cuisinière ne doit pas basculer vers l'avant.

Reportez-vous aux instructions d'installation du support anti-renversement fournies avec la cuisinière pour vous assurer que l'installation est effectuée de façon appropriée.

### 8.1 Localiser l'appui sur le gabarit

L'appui peut être situé sur le côté gauche ou droit de la cuisinière. Tracer une ligne sur le sol ou sur le mur démarquant la gauche ou la droite de l'emplacement de la cuisinière.

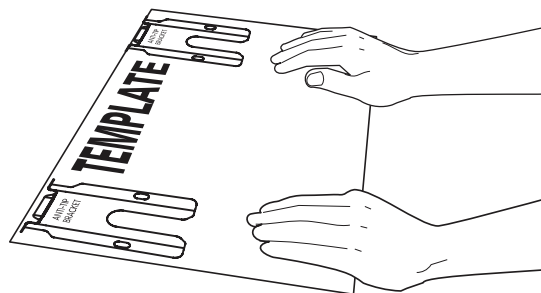


Figure 15 : Gabarit de l'appui

Si l'arrière de la cuisinière effleure le mur ou ne se situe pas plus loin que 3,2 cm (1¼ po) du mur une fois installé, utiliser la méthode de montage au mur ou au sol. Si une moulure prévient la mise en place de l'appui contre le mur, enlever la moulure ou installer l'appui au sol.

Pour un montage mural, situer l'appui en plaçant le bord arrière du gabarit contre le mur et le bord latéral du gabarit sur le repère démarquant le côté de la cuisinière. Placer l'appui sur le gabarit et marquer l'emplacement des trous de vis dans le mur.

Si l'arrière de la cuisinière est à plus de 3,2 cm (1¼ po) du mur une fois installé, fixer le support au sol. Pour un montage au sol, situer l'appui en plaçant le bord arrière du gabarit là où l'arrière de la cuisinière sera situé.

Marquer l'emplacement des trous de vis indiqué sur le gabarit.

## 8.2 Percer des trous de départ et fixer l'appui

Percer un trou de départ de 1/8 po (40 mm) à l'endroit où les vis doivent être situées.

Si l'appui est monté au mur, percer des trous à angle descendant d'environ 20°. Si l'appui est monté à la maçonnerie ou sur un plancher en céramique, percer un trou de départ de 3/16 po (4,8 mm) à profondeur de 4,445 cm (1¾ po).

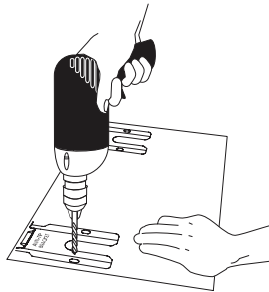


Figure 16 : Percer des trous de départ

Les vis fournies peuvent être utilisées dans le bois ou des composants de béton. Utiliser un tournevis à douille de 5/16 po (8 mm) ou un tournevis à lame pour fixer l'appui en place.

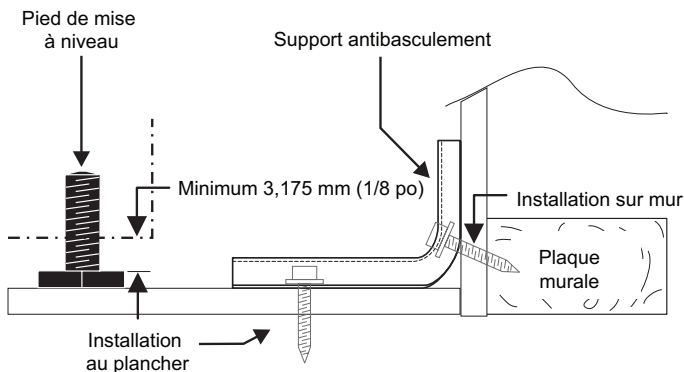


Figure 17 : Installation de l'appui

## 8.3 Vérification du niveau et de l'emplacement de la cuisinière

Vérifier le niveau de l'installation finale. Remarque : Un écart minimum de 40 mm (1/8 po) est nécessaire entre le bas de la cuisinière et le pied de mise à niveau pour laisser un jeu pour l'appui. Vérifiez vos réglages à l'aide d'un niveau.

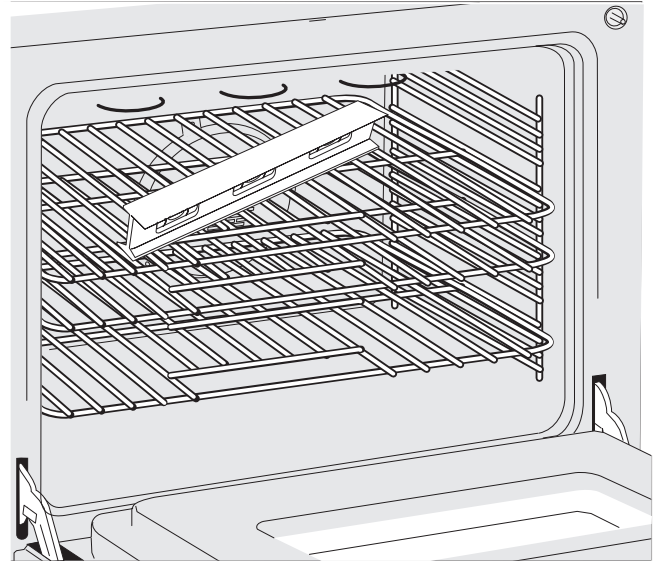


Figure 18 : Utiliser la grille du four pour mettre l'électroménager de niveau

Glisser la cuisinière en position.

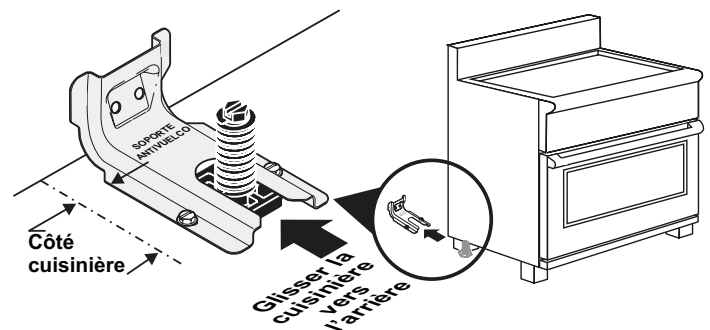


Figure 19 : Faire glisser la cuisinière dans l'appui

Pour vérifier si l'appui est installé correctement, saisir le bord arrière de la cuisinière avec les deux bras. Tentez de basculer l'avant de la cuisinière avec précaution. Lorsque de l'appui est correctement installé, la cuisinière ne doit pas pencher vers l'avant.

Si jamais la cuisinière est déplacée ailleurs, l'appui antibasculement doit suivre et être réinstallé.

## 9 Préparation des assemblages brûleur

### 9.1 Installer les capuchons de brûleur

**ATTENTION** Pour prévenir les poussées, veiller à ce que les capuchons de brûleur soient installés correctement avant d'utiliser la surface de cuisson.

1. Placer un capuchon sur chaque tête de brûleur; il doit correspondre à la taille de brûleur (voir la Figure 20). Le bouchon de chaque brûleur est muni d'une bague intérieure pour centrer correctement le capuchon sur la tête de brûleur.

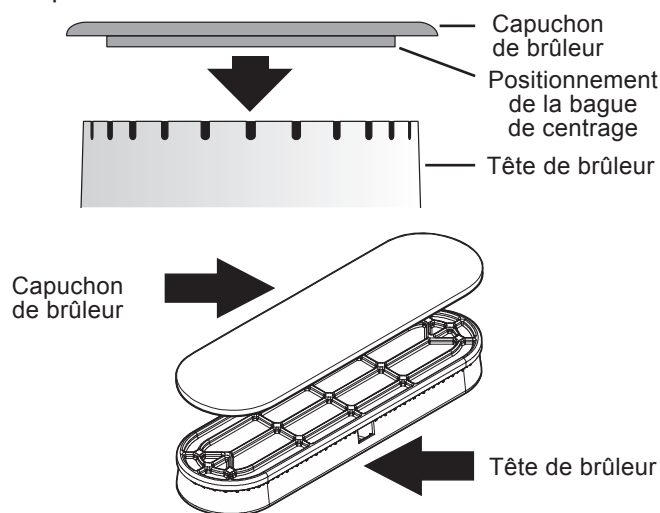


Figure 20 : Assemblage d'un capuchon de brûleur

2. Veiller à ce que chaque capuchon de brûleur soit correctement aligné et de niveau comme illustré à la Figure 21. Il se peut que les brûleurs ne s'allument pas ou ne brûlent pas uniformément si les capuchons sont mal mis en place sur la tête.

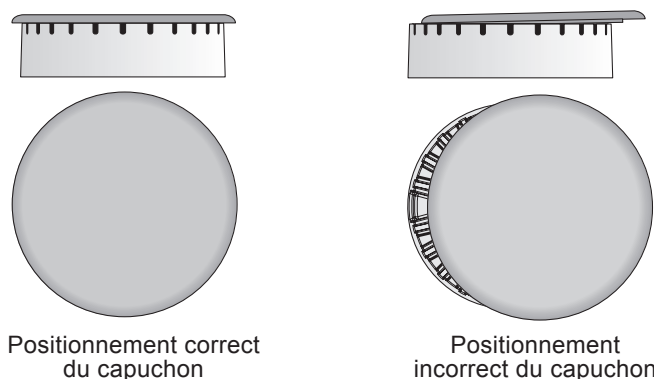


Figure 21 : Positionnement d'un capuchon de brûleur

### 9.2 Vérifier l'allumage des brûleurs de surface

Le fonctionnement des allumeurs électriques doit être vérifié après que la ligne d'alimentation et les connecteurs ont été soigneusement vérifiés pour détecter les fuites et que la cuisinière a été connectée à l'énergie électrique.

Pour vérifier l'allumage :

1. Appuyer et tourner le bouton d'un brûleur de surface sur la position d'étincelle. Tous les circuits d'allumage électronique vont produire une étincelle en même temps. Seul le brûleur dont vous tournez le bouton s'enflamme.
2. Le brûleur de surface doit s'allumer une fois que le gaz atteint le brûleur. En fonctionnement normal, chaque brûleur doit s'allumer dans les 4 secondes après que l'air ait été purgé des conduites d'alimentation. Vérifier visuellement l'allumage du brûleur.
3. Une fois le brûleur allumé, le bouton de commande doit être ramené hors de la position LITE.

Faire tourner chaque bouton des brûleurs de surface et valider qu'ils s'allument correctement et que les flammes sont égales. Régler les paramètres le cas échéant.

### 9.3 Réglage des paramètres de basse intensité des brûleurs de surface

Pour régler le niveau de basse intensité des brûleurs de surface :

1. Appuyer et tourner la commande sur LITE jusqu'à ce que le brûleur s'enflamme.
2. Ramener rapidement le bouton sur la POSITION LA PLUS BASSE.
3. Si le brûleur s'éteint, remettre le contrôle sur OFF (arrêt).
4. Enlever le bouton de contrôle du brûleur de surface.
5. Insérer un tournevis à lame mince dans le creux de la tige de soupape et engager la vis à l'intérieur comme illustré à la Figure 22. La taille de la flamme peut être augmentée ou diminuée en tournant la vis.

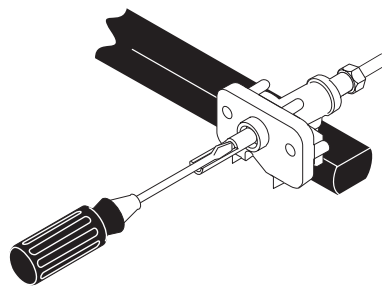


Figure 22 : Faire tourner pour régler la flamme de surface

6. Régler la flamme jusqu'à ce que vous puissiez rapidement tourner le bouton de la position LITE au plus bas niveau sans éteindre la flamme. La flamme doit être aussi faible que possible sans s'éteindre.

**Remarques :**

- Le réglage du mélange d'air n'est pas nécessaire pour les brûleurs de surface.
- Certains modèles sont munis de brûleurs à deux flammes. La flamme centrale de ces brûleurs n'est pas réglable.

## 10 Réglage des brûleurs du four

### 10.1 Brûleurs à allumage électrique

On doit procéder à la vérification des allumeurs électriques dès que la conduite d'alimentation et les raccords ont été soigneusement inspectés pour détecter les fuites et que la cuisinière a été raccordée au réseau électrique. En plus de son allumeur électrique, le brûleur de four est muni d'un système de commande électrique. Si votre four est équipé d'un allumeur de brûleur de grillage à hauteur de taille, il est également doté d'un allumeur électrique. Ces systèmes de commande ne nécessitent aucun réglage. Le courant alimente l'allumeur dès la mise en fonction du four. Il « brille » comme une ampoule. Lorsque l'allumeur atteint une température suffisante pour enflammer le gaz, la vanne de four électrique s'ouvre et la flamme apparaît au brûleur de four. Il y a un laps de temps de 30 à 60 secondes entre la mise sous tension du thermostat et l'allumage de la flamme du brûleur du four. Dès que la température du four atteint le réglage affiché à l'écran, l'allumeur s'éteint. La flamme du brûleur s'éteint entre 20 et 30 secondes après l'éteinte de l'allumeur (OFF). Si l'écran est réglé pour fonctionner, le cycle se poursuit pour maintenir la température du four.

Une fois tous les matériaux d'emballage et la littérature retirés du four :

1. Réglez le four pour la cuisson (BAKE) à 300 °F. Voir le mode d'emploi et d'entretien pour les principes de fonctionnement.
2. Le brûleur du four doit s'allumer dans les 60 secondes. Vérifiez l'état de la flamme (voir 10.2) et permettez au brûleur d'entamer un cycle normal de démarrage. Mettez toutes les commandes sur (OFF).
3. Si votre four est équipé d'un allumeur de brûleur de grillage à hauteur de taille, réglez-le sur grillage (BROIL). Reportez-vous au guide d'utilisation et d'entretien pour plus d'informations.
4. Le brûleur du four doit s'allumer dans les 60 secondes. Vérifier la qualité de la flamme. Mettez toutes les commandes sur (OFF).

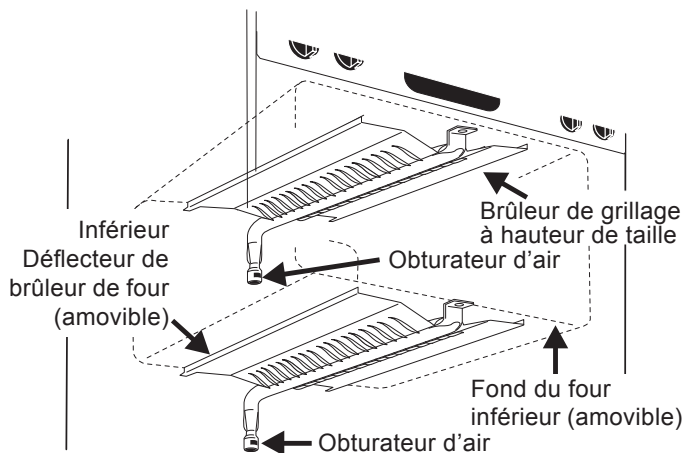


Figure 23 : Brûleurs de four

### 10.2 Réglage de la flamme du four

La longueur approximative de la flamme du brûleur de four est d'environ 2,55 cm (1 po) (cône intérieur distinct de la flamme bleue).

Pour déterminer la qualité de la flamme du brûleur de four, retirez le fond du four et le déflecteur de brûleur et réglez le four à 300 °F.

Pour enlever le fond du four, retirer les grilles et les échelles. Faire glisser le fond du four vers l'avant pour dégager l'onglet arrière. Soulever et pousser vers l'arrière pour dégager l'avant du fond du four du cadre avant. Retirer le fond du four de la cavité. Le déflecteur est fixé au fond du four et ne nécessite aucun autre démontage.

Si la combustion de la flamme est de couleur jaune, ouvrir l'obturateur d'air (voir « 2 » à la Figure 24).

Si la flamme est totalement bleue, réduire l'ouverture de l'obturateur d'air.

Pour régler la flamme, desserrer la vis de blocage (voir « 3 » à la Figure 24), replacer l'obturateur d'air, puis serrer la vis de blocage. Replacer le fond du four.

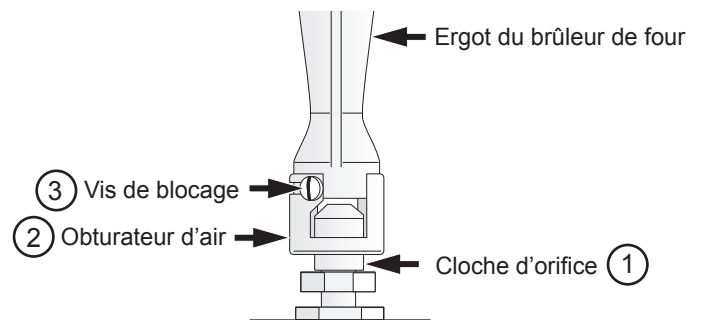


Figure 24 : Réglages du brûleur de four

### 10.3 Réglage de la flamme du brûleur de grillage

La longueur approximative de la flamme du brûleur de grillage est d'environ 2,55 cm (1 po) (cône intérieur distinct de la flamme bleue). Pour déterminer si la flamme du brûleur de grillage est correcte, régler le four sur BROIL (grillage). Si la combustion de la flamme est de couleur jaune, ouvrir l'obturateur d'air (voir « 2 » à la Figure 24). Si la flamme est totalement bleue, réduire l'ouverture de l'obturateur d'air. Pour régler la flamme, desserrer la vis de blocage (voir « 3 » à la Figure 24), replacer l'obturateur d'air, puis serrer la vis de blocage.

# NOTICE D'INSTALLATION – CUISINIÈRE AU GAZ DE 92 CM (36 PO)

## 11 Vérification du fonctionnement du four

Voir le Guide d'utilisation et d'entretien fourni avec la cuisinière pour les instructions de fonctionnement, d'entretien et de nettoyage.

Retirer tout l'emballage du four avant de le mettre à l'essai.

Le four est muni d'une commande électronique. Chaque fonction a été vérifiée en usine avant expédition. Il toutefois conseillé de vérifier le bon fonctionnement des commandes du four une fois de plus. Consulter le Guide du propriétaire. Suivre les directives de fonctionnement de l'horloge, du minuteur, pour la cuisson, les plats grillés, la convection et le nettoyage.

**Cuire au four** –une fois le four réglé sur BAKE (cuisson), puis à 177 °C (350 °F), le fond de la cavité du four doit commencer à chauffer.

**Grillage** –lorsque le four est réglé sur BROIL (grillage), le brûleur supérieur du four doit s'allumer.

**Nettoyage** –lorsque le four est réglé pour un cycle d'autonettoyage, le brûleur supérieur doit brûler pendant l'étape de préchauffage du cycle. Le fond de la cavité du four doit devenir très chaud.

**Convection** –Lorsque le four est réglé sur CONV. BAKE/ROAST (cuisson à convection) à 350 °F (177 °C), le brûleur de cuisson et l'élément de convection se mettent en marche et s'arrêtent à tour de rôle. Le ventilateur de convection se mettra en marche au bout de quelques minutes du cycle de préchauffage. Le ventilateur de convection s'arrête de tourner quand la porte du four est ouverte pendant la cuisson par convection ou grillage.

## 12 Après l'installation

**Lorsque tous les raccordements sont terminés**

Veiller à ce que tous les contrôles soient mis sur la position OFF (arrêt).

**Emplacement du numéro de modèle et de série**

La plaque signalétique se trouve sur le haut du panneau avant inférieur; il peut être clairement vu lorsque la porte est ouverte. Lorsque vous commandez des pièces détachées ou si vous avez des questions à propos de votre électroménager, garder les numéros de modèle et de série à la main. (Figure 25).

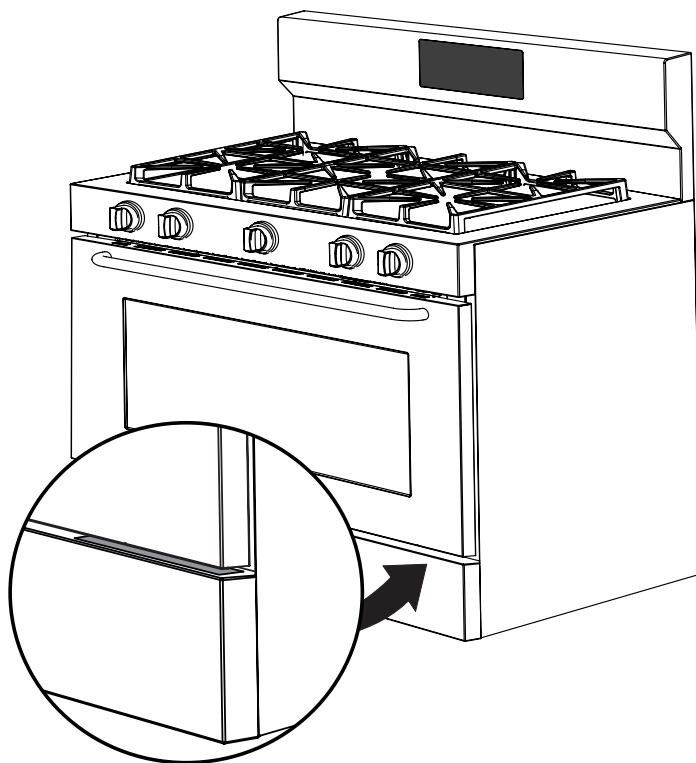


Figure 25 : Emplacement du numéro de série et du modèle

**Avant d'appeler le réparateur**

Lire les instructions de fonctionnement et vérifier la liste de contrôle pour éviter les appels dans votre Guide du propriétaire. Cela peut vous faire économiser temps et argent. La liste comprend des situations courantes qui ne résultent pas d'un vice de fabrication ou de matériau.

Consulter la garantie et revoir les informations plus détaillées sur l'entretien dans votre Guide du propriétaire pour notre numéro de téléphone et notre adresse. Téléphoner ou écrire si vous avez des questions au sujet de votre cuisinière ou besoin de commander des pièces.