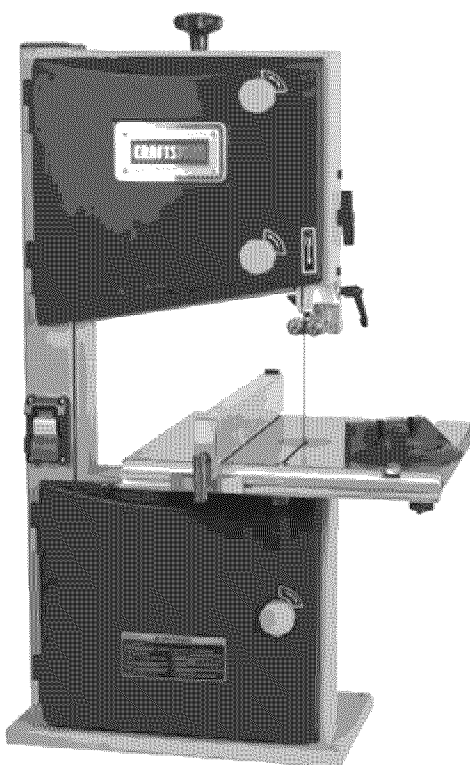


Operator's Manual



10"
BAND SAW
Model No.
124.214000



CAUTION: Read and follow all Safety Rules and Operating Instructions before First Use of this Product.

Sears Brands Management Corporation Hoffman Estates, IL 60179
www.craftsman.com

SAFETY

ASSEMBLY

OPERATION

MAINTENANCE

PARTS LIST

ESPAÑOL

TABLE OF CONTENTS

Warranty.....	2
Safety Rules	2-3
Unpacking	3
Assembly	3-4
Installation.....	5-6
Operation	6-10
Maintenance.....	10
Troubleshooting	11
Parts Illustrations and Lists.....	12-13
Español.....	16-25

WARRANTY

CRAFTSMAN ONE YEAR FULL WARRANTY

FOR ONE YEAR from the date of purchase, this product is warranted against any defects in material or workmanship. A defective product will receive free repair or replacement if the repair is unavailable.

For warranty coverage details to obtain free repair or replacement, visit the website: www.craftsman.com

This warranty does not cover the blade, which is an expendable part that can wear out from normal use within the warranty period.

This warranty is void if this product is ever used while providing commercial services or if rented to another person.

This warranty gives you specific legal rights, and you may also have other rights, which vary, from state to state.

Sears Brands Management Corp., Hoffman Estates, IL. 60179

SAFETY RULES

PROPOSITION 65 WARNING: Some dust created by power sanding, sawing, grinding, drilling and other construction activities contains chemicals known to the state of California to cause cancer, birth defects or other reproductive harm.

Some examples of these chemicals are:

- Lead from lead-based paints.
- Crystalline silica from bricks and cement and other masonry products.
- Arsenic and chromium from chemically-treated lumber.

Your risk from these exposures vary, depending on how often you do this type of work. To reduce your exposure to these chemicals: work in a well ventilated area and work with approved safety equipment. Always wear OSHA/NIOSH approved, properly fitting face mask or respirator when using such tools.

WARNING: For your own safety, read all of the instructions and precautions before operating tool.

CAUTION: Always follow proper operating procedures as defined in this manual — even if you are familiar with use of this or similar tools. Remember that being careless for even a fraction of a second can result in severe personal injury.

BE PREPARED FOR JOB

- Wear proper apparel. Do not wear loose clothing, gloves, neckties, rings, bracelets or other jewelry which may get caught in moving parts of machine.
- Wear protective hair covering to contain long hair.
- Wear safety shoes with non-slip soles.
- Wear safety glasses complying with United States ANSI Z87.1. Everyday glasses have only impact resistant lenses. They are NOT safety glasses.
- Wear face mask or dust mask if operation is dusty.
- Be alert and think clearly. Never operate power tools when tired, intoxicated or when taking medications that cause drowsiness.

PREPARE WORK AREA FOR JOB

- Keep work area clean. Cluttered work areas invite accidents.
- Do not use power tools in dangerous environments. Do not use power tools in damp or wet locations. Do not expose power tools to rain.
- Work area should be properly lighted.
- Proper electrical receptacle should be available for tool. Three-prong plug should be plugged directly into properly grounded, three-prong receptacle.
- Extension cords should have a grounding prong and the three wires of the extension cord should be of the correct gauge.
- Keep visitors at a safe distance from work area.
- Keep children out of workplace. Make workshop childproof. Use padlocks, master switches or remove switch keys to prevent any unintentional use of power tools.

TOOL SHOULD BE MAINTAINED

- Always unplug tool prior to inspection.
- Consult manual for specific maintaining and adjusting procedures.
- Keep tool lubricated and clean for safest operation.
- Remove adjusting tools. Form habit of checking to see that adjusting tools are removed before switching machine on.
- Keep all parts in working order. Check to determine that the guard or other parts will operate properly and perform their intended function.
- Check for damaged parts. Check for alignment of moving parts, binding, breakage, mounting and any other condition that may affect a tool's operation.
- A guard or other part that is damaged should be properly repaired or replaced. Do not perform makeshift repairs. (Use parts list provided to order replacement parts.)

KNOW HOW TO USE TOOL

- Use right tool for job. Do not force tool or attachment to do a job for which it was not designed.
- Disconnect tool when changing blade.
- Avoid accidental start-up. Make sure that the tool is in the "off" position before plugging in.

- Do not force tool. It will work most efficiently at the rate for which it was designed.
- Keep hands away from moving parts and cutting surfaces.
- Never leave tool running unattended. Turn the power off and do not leave tool until it comes to a complete stop.
- Do not overreach. Keep proper footing and balance.
- Never stand on tool. Serious injury could occur if tool is tipped or if blade is unintentionally contacted.
- Know your tool. Learn the tool's operation, application and specific limitations.
- Use recommended accessories. Use of improper accessories may cause risk of injury to persons.
- Handle workpiece correctly. Protect hands from possible injury.
- Turn machine off if it jams. Blade jams when it digs too deeply into workpiece. (Motor force keeps it stuck in the work.) Do not remove jammed or cut off pieces until the saw is turned off, unplugged and the blade has stopped.
- Maintain proper adjustment of blade tension, blade guides and thrust bearings.
- Adjust upper guide to just clear workpiece.
- Hold workpiece firmly against table.
- DIRECTION OF FEED: Feed work into a blade or cutter against the direction of rotation of the blade or cutter only.

WARNING: The operation of any power tool can result in foreign objects being thrown into the eyes, which can result in severe eye damage. Always wear safety goggles complying with United States ANSI Z87.1 (shown on package) before commencing power tool operation. Safety goggles are available at Sears Stores or Craftsman Outlets

UNPACKING

Check for shipping damage and missing parts. If item is damaged or parts missing, call 1-800-469-4663. Model 124.214000 10" band saw is shipped complete in one box. The band saw comes assembled as one unit. Additional parts which need to be fastened to the saw should be located and accounted for before assembling (see Figure 1).

- A Main Machine (1)
- B Fence Assembly (1)
- C Table (1)
- D Guide Rail (1)
- E Owner's Manual (1)
- F Upper Table Trunnion Assembly (1)
- G Bag of Loose Parts (1)

Parts bag includes: Blade Tension Knob (1), Miter Gauge (1), Hex Socket Head Cap Screw M6x30 (1), Washer M6 (1), Wing Nut M6 (1), Hex Bolt M6x12 (4), Lock Washer M6 (4), Star Knob Screw (2), Washer M6 (2), M3 Hex "L" Wrench (1), M5 Hex "L" Wrench (1).

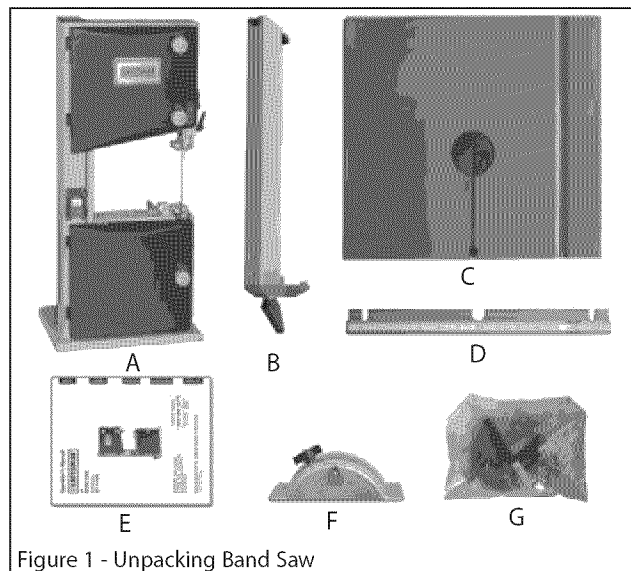


Figure 1 - Unpacking Band Saw

IMPORTANT: Table is coated with a protectant. To ensure proper fit and operation, remove coating. Coating is easily removed with mild solvents, such as mineral spirits, and a soft cloth. Avoid getting solution on paint or any of the rubber or plastic parts. Solvents may deteriorate these finishes. Use soap and water on paint, plastic or rubber components. After cleaning, cover all exposed metal surfaces with a light coating of oil. Paste wax is recommended for table top.

WARNING: Never use highly volatile solvents. Non flammable solvents are recommended to avoid possible fire hazard.

ASSEMBLY

CAUTION: Do not attempt assembly if parts are missing. Use this manual to order replacement parts.

The machine is supplied partly assembled. Prior to use, the following items have to be installed: Table, blade tension knob and rip fence.

WARNING: To avoid injury, do not attempt to run or use this machine until all parts are assembled and working properly.

ASSEMBLE TABLE TRUNNION

- Assemble the upper table trunnion to the lower table trunnion with carriage bolt, glide piece, washer and wing nut. Place the table on to the upper table trunnion, taking care when passing the saw blade through the slot of the table (see Figure 2).

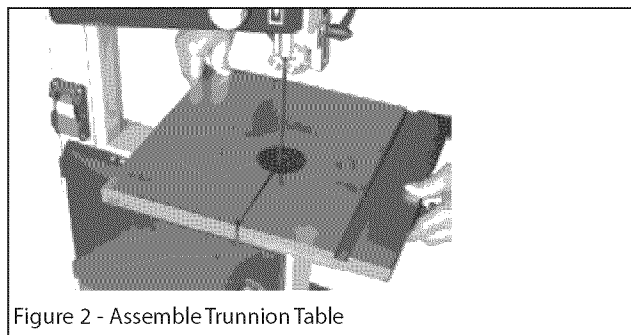


Figure 2 - Assemble Trunnion Table

Locate four hex bolts and four lock washers from the bag of loose parts. Mount the table to the upper table trunnion and install a bolt with washer in each hole, and then tighten with adjustable wrench.

CENTERING THE TABLE

- Loosen the four hex bolts mounting the table to the upper table trunnion (see Figure 3).



Figure 3 - Hex Bolts for Trunnion

- Move the table sideways as required, until the saw blade runs through the center of the table insert.
- If moving the upper table trunnion is not enough to center the table, loosen the four flange nuts holding the lower table trunnion and move the table sideways to place the table in the center.
- Re-tighten hex bolts for trunnion and flange nuts, recheck the saw blade position.

SETTING TABLE SQUARE TO SAW BLADE

Refer to Figures 4 and 5.

Loosen the knob on the lower table trunnion and place a suitably sized square against the saw blade. If the table requires adjustment, proceed as follows:

- Using a wrench, release the hex nut on the frame (see Figure 4).

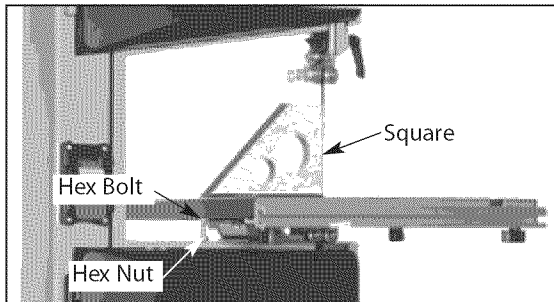


Figure 4 - Square Table to Saw Blade

- Place the wrench on the hex bolt and adjust until the table is square to the saw blade (see Figure 12).
- Tighten the hex nut and recheck the saw blade and the table for squareness.
- Lock the table into position and check that the indicator reads zero degree on the side of lower table trunnion. Loosen the screw securing the indicator and reset if necessary to give zero degree reading (see Figure 5).

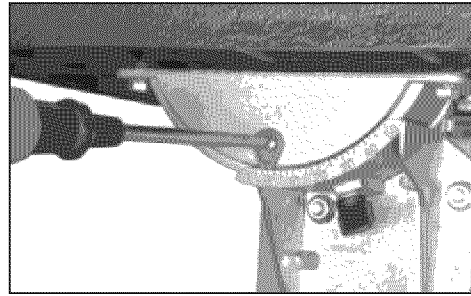


Figure 5 - Set Indicator to Zero

FASTEN GUIDE RAIL

- Fasten the guide rail with two each star knob screw and washer to the table. Use the hex socket head cap screw, washer and wing nut for correcting the working table flatness (see Figure 6).

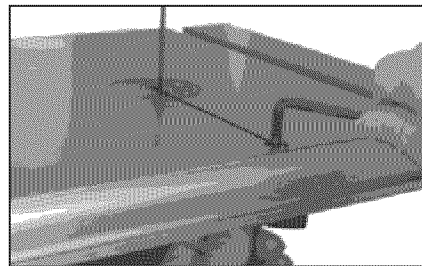


Figure 6 - Fasten Guide Rail

INSTALL RIP FENCE

- Lay the rip fence onto the guide rail. Adjust the rip fence parallel to the saw blade. Tighten rip fence handle by pressing downward (see Figure 7).

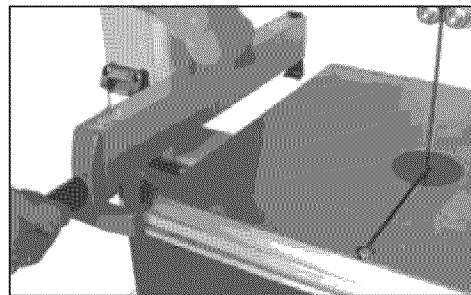


Figure 7 - Install Rip Fence

INSTALL BLADE TENSION KNOB

- Place the blade tension knob on to the blade tensioner (see Figure 8).

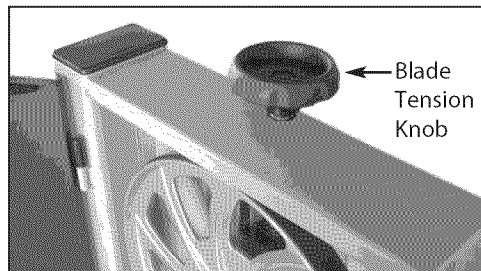


Figure 8 - Install Blade Tension Knob

STABILIZE MACHINE

- To ensure sufficient upright stability of the machine it should be bolted to floor, bench or worktable. For this purpose 6mm holes are provided in the machine's base. Mounting hardware not provided. (see Figure 9).

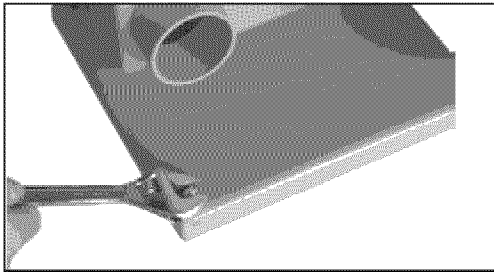


Figure 9 - Stabilize Machine

USE SUITABLE DUST COLLECTOR

- The band saw has a 2 1/2" dust port included (see Figure 10).

It is recommended that when in use, the band saw is connected to a suitable dust collector.

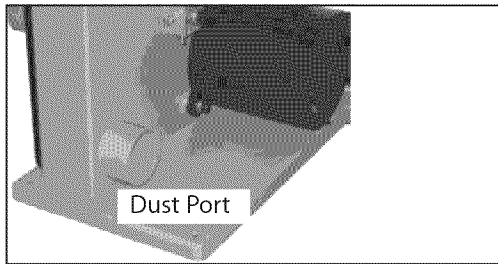


Figure 10 - Dust Port

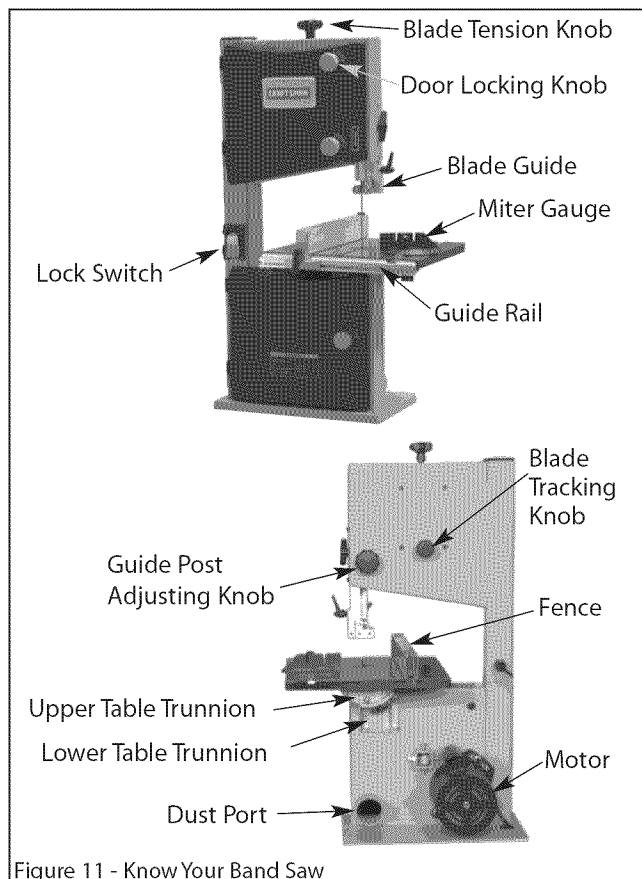


Figure 11 - Know Your Band Saw

INSTALLATION

MOTOR

The band saw is supplied with a 1/3 HP Motor.

The 120 Volt AC motor has the following specifications:

Horsepower	1/3
Voltage	120
Amperes	3.5
Hertz	60
Phase	Single
RPM	1720

WARNING: All electrical connections must be performed by a qualified electrician.

ELECTRICAL CONNECTIONS

WARNING: Make sure unit is off and disconnected from power source any time wiring is inspected.

POWER SOURCE

Band Saw is prewired for 120 volt, 60 HZ power source. The motor is designed for operation on the voltage and frequency specified. Normal loads will be handled safely on voltages not more than 10% above or below the specified voltage.

Running the unit on voltages which are not within the range may cause overheating and motor burn-out. Heavy loads require that the voltage at motor terminals be no less than the voltage specified. Power supply to the motor is controlled by a single pole toggle switch.

GROUNDING INSTRUCTIONS

WARNING: Improper connection of equipment grounding conductor can result in the risk of electrical shock. Equipment should be grounded while in use to protect operator from electrical shock.

- Check with a qualified electrician if grounding instructions are not understood or if in doubt as to whether the tool is properly grounded.

This tool is equipped with an approved 3-conductor cord rated at 150V and a three prong grounding type plug or your protection against shock hazards.

- Grounding plug should be plugged directly into a properly installed and grounded 3- prong grounding-type receptacle, as shown (Figure 12).

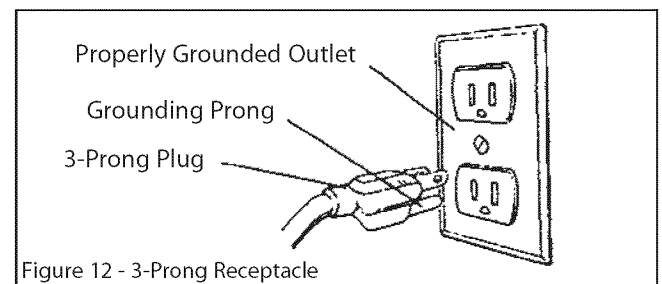


Figure 12 - 3-Prong Receptacle

- Do not remove or alter grounding prong in any manner. In the event of a malfunction or breakdown, grounding provides a path of least resistance for electrical shock.

WARNING: Do not permit fingers to touch the terminals of plug when installing or removing from outlet.

- Plug must be plugged into matching outlet that is properly installed and grounded in accordance with all local codes and ordinances. Do not modify plug provided. If it will not fit in outlet, have proper outlet installed by a qualified electrician.
- Inspect tool cords periodically, and if damaged, have repaired by a Sears or other qualified service dealer.
- Green (or green and yellow) conductor in cord is the grounding wire. If repair or replacement of the electric cord or plug is necessary, do not connect the green (or green and yellow) wire to a live terminal.

Where a 2-prong wall receptacle is encountered, it must be replaced with a properly grounded 3-prong receptacle installed in accordance with National Electric Code and local codes and ordinances.

WARNING: This work should be performed by a qualified electrician.

A temporary 3-prong to 2-prong grounding adapter (see Figure 13) is available for connecting plugs to a two pole outlet if it is properly grounded.

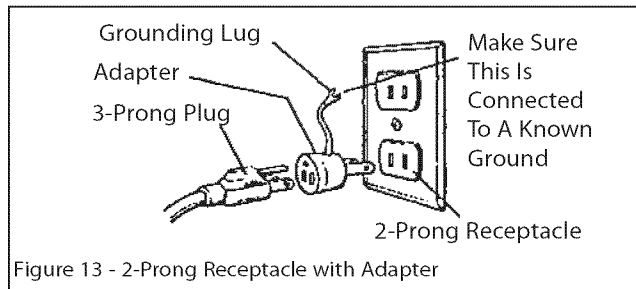


Figure 13 - 2-Prong Receptacle with Adapter

- Do not use a 3-prong to 2-prong grounding adapter unless permitted by local and national codes and ordinances. (A 3-prong to 2-prong grounding adapter is not permitted in Canada.) Where permitted, the rigid green tab or terminal on the side of the adapter must be securely connected to a permanent electrical ground such as a properly grounded water pipe, a properly grounded outlet box or a properly grounded wire system.

Many cover plate screws, water pipes and outlet boxes are not properly grounded. To ensure proper ground, grounding means must be tested by a qualified electrician.

EXTENSION CORDS

- The use of any extension cord will cause some drop in voltage and loss of power.
- Wires of the extension cord must be of sufficient size to carry the current and maintain adequate voltage.
- Use the table to determine the minimum wire size (A.W.G.) extension cord.
- Use only 3-wire extension cords having 3-prong grounding type plugs and 3-pole receptacles which accept the tool plug.
- If the extension cord is worn, cut, or damaged in any way, replace it immediately.

EXTENSION CORD LENGTH

Wire Size	A.W.G.
Up to 25 ft.18

NOTE: Using extension cords over 25 ft. long is not recommended.

WARNING: This machine must be grounded. To avoid electrocution or fire, any repairs to electrical system should be done only by a qualified electrician, using genuine replacement parts.

OPERATION

The Craftsman 10 inch Bench Top Band Saw features welded steel frame construction and a solid cast iron table surface to insure durability. It is designed for cutting hard and soft woods. The saw is equipped with a miter gauge for performing many different operations. A convenient quick tensioning and comprehensive tracking mechanism makes blade changing quick and easy. Saw also features a rip fence and dust collection port.

SPECIFICATIONS

Depth of throat at 90°	9 ⁵ / ₈ "
Maximum depth of cut at 90°	4 ⁵ / ₈ "
Maximum depth of cut at 45°	2 ³ / ₄ "
Table size	12 ¹ / ₂ x 13 ³ / ₄ "
Table tilt	0° to 45°
Wheel diameter	10"
Blade length	70 ¹ / ₂ "
Blade width	1 ¹ / ₈ " - 1 ¹ / ₂ "
Blade speed	2780 FPM
Overall dimensions21 x 14 x 34"
Weight	66 lbs
Shipping weight	73 lbs
Dust collection port	2 ¹ / ₂ "

SAFETY PRECAUTIONS

WARNING: Always observe the following safety precautions.

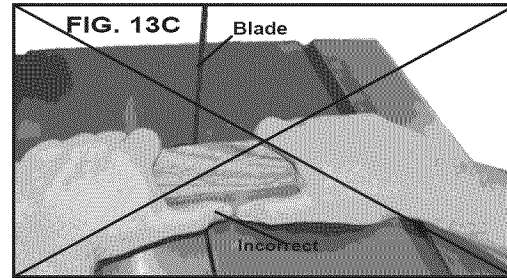
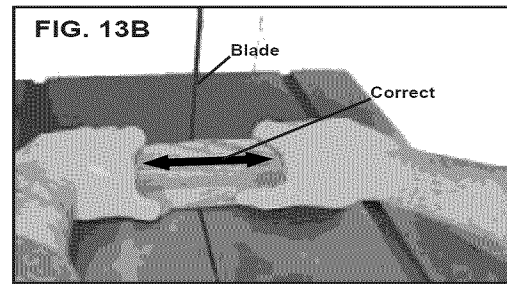
- Whenever adjusting or replacing any parts on the band saw turn, switch off and remove plug from power source.
- Make sure the blade guides are positioned correctly.
- Use the appropriate blade for the workpiece that is being cut.
- Use a sharp blade. Replace dull blades or blades which are missing teeth.
- Make sure the blade is tensioned properly and going in the right direction.
- Use the proper blade speed for the work.
- For optimum performance, do not stall the motor or reduce the speed. Use the proper feed pressure.
- Secure the workpiece in a stable position.
- Check that all guards are attached.
- After turning the switch on, let the blade come to full speed.

CORRECT HAND PLACEMENT

Slowly feed the work piece towards the saw blade putting only light pressure on it. With both hands, firmly hold the work piece down on the table, and feed it towards the saw blade slowly.

The saw blade cuts on a continuous downstroke. To avoid injury when hands are unavoidably near the saw blade, place them on either side of the blade (See FIG. 13B), not in line with it (See FIG. 13C).

Use a pushstick whenever possible when working in close proximity to the saw blade.



FURTHER SAFETY PRECAUTIONS

- Keep hands away from the blade and all moving parts.
- Always wear eye protection or face shield.
- Always stop the band saw before removing scrap pieces from table.
- Never attempt to saw stock that does not have a flat surface, unless a suitable support is used.
- Always hold material firmly and feed it into the blade at a moderate speed.
- Always turn off the machine if the material is to be backed out of an uncompleted cut.
- Make sure that the blade tension and blade tracking are properly adjusted.
- Make "relief" cuts before cutting long curves.
- Release blade tension when the saw will not be used for a long period of time.

ON/OFF SWITCH

Refer to Figure 14.

WARNING: Before starting check if any part of your band saw is missing, malfunctioning, has been damaged or broken, such as the motor switch, or other operation control, a safety device or the power cord, turn the band saw off and unplug it until the particular part is properly repaired or replaced.

The ON/OFF switch is located on the left front of the saw column. To turn saw ON, pull the switch to the up position. To turn saw OFF, push the switch to the down position.

The saw can be locked from unauthorized use by locking the switch. To lock the switch:

- Turn the switch to OFF position and disconnect saw from power source.
- Pull the key out. The switch cannot be turned on with the key removed.

NOTE: Should the key be removed from the switch at the ON position, the switch can be turned off but cannot be turned on again.

- To replace key, slide key into the slot on switch until it snaps.

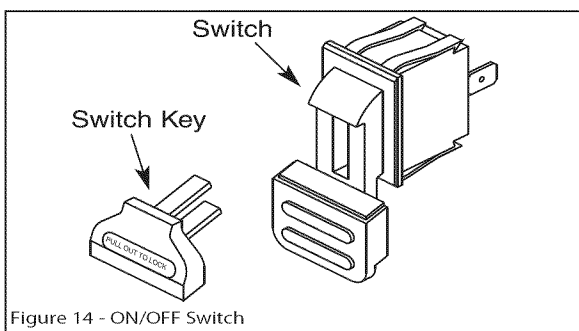


Figure 14 - ON/OFF Switch

ADJUSTMENTS

The blade tracking, tension and blade guides have been properly adjusted at the factory. However, the adjustments may change while the saw is in transit.

It is recommended to verify these adjustments before operating saw.

CHANGING AND ADJUSTING THE SAW BLADE

This band saw is factory-equipped with a general-purpose wood cutting blade; the saw blade is set prior to delivery.

To change the saw blade, the following procedure must be followed:

WARNING: To avoid injury from unexpected starting, whenever changing the saw blade or carrying out adjustments, switch the band saw off and remove the power cord from the main outlet. To avoid injury to hands when handling the saw blade, wear gloves whenever necessary.

- Remove the rip fence, the guide rail, the wing nut and screw from the table.
- Open the upper and lower doors by turning the door locking knobs.
- Loosen the blade tension by turning the blade tension knob on the top of the upper wheel housing counterclockwise until the saw blade has slackened (viewed from above). See Figure 15.

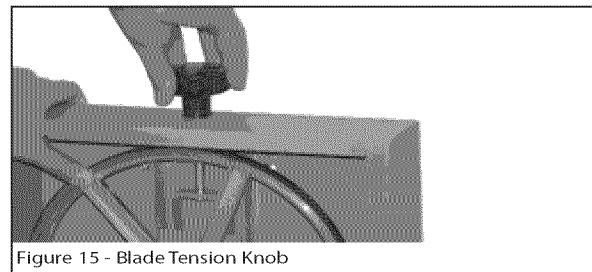


Figure 15 - Blade Tension Knob

- Remove the saw blade from the upper and lower wheels.
- When fitting the new saw blade ensure the blade teeth are pointing downwards and towards you at the position where the saw blade passes through the table.
- Re-tension the new saw blade and check the saw blade tracking by turning the upper wheel by hand. The saw blade should run in the center of the band saw wheels.
- If need adjust the tracking of the saw blade, follow procedures for TRACKING THE SAW BLADE.
- Replace the rip fence, the guide rail, the wing nut and screw to the table.
- Close the upper and lower doors by turning the door locking knobs before reconnecting the power supply.

TRACKING THE SAW BLADE

Set the tracking of the saw blade before setting the blade guides.

Once the saw blade is installed and tensioned, track the saw blade by adjusting the tracking knob by hand (see Figure 16). The saw blade should run in the center of the band saw wheels. When the correct adjustment is achieved lock the tracking knob with the locking knob.

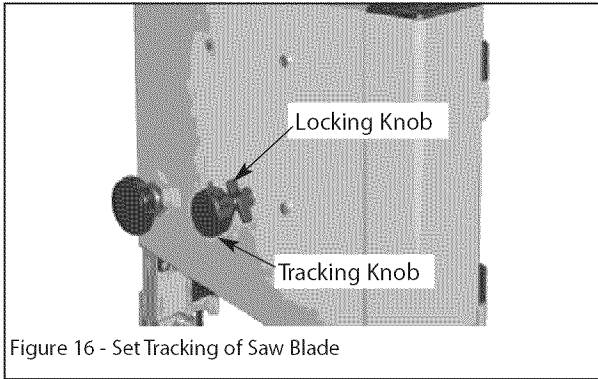


Figure 16 - Set Tracking of Saw Blade

SETTING THE CUTTING HEIGHT

- The upper blade guide should be set as close as practical against the workpiece.
- To adjust this height, loosen the locking knob at the side of the upper wheel housing (see Figure 17).

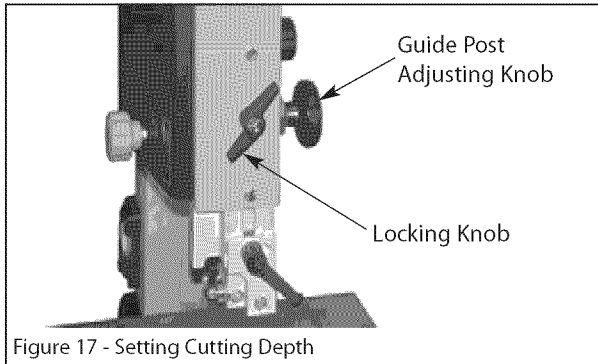


Figure 17 - Setting Cutting Depth

- Set the blade guide to the required height by turning the guide post adjusting knob.
- Tighten locking knob after setting.

ADJUSTING THE BLADE GUIDES

UPPER BLADE GUIDE

See Figure 18.

- To adjust the upper blade guides, first position the right and left roller guides relative to the blade by slackening the ratchet handle (Figure 18) and moving the guide carrier until both roller guides are approximately $\frac{1}{16}$ " behind the gullets of the saw blade.
- Set both roller guides to within $\frac{1}{32}$ " of the saw blade by releasing the guide adjusting screw (A) on each side of the saw blade. Do not set the roller guides too close as this will adversely affect the life of the saw blade.

- Adjust the rear roller guide to be just clear of the back of the saw blade by unlocking the guide adjusting screw (B).
- When the correct adjustment is reached, lock the rear roller guide in position with the guide adjusting screw (B).

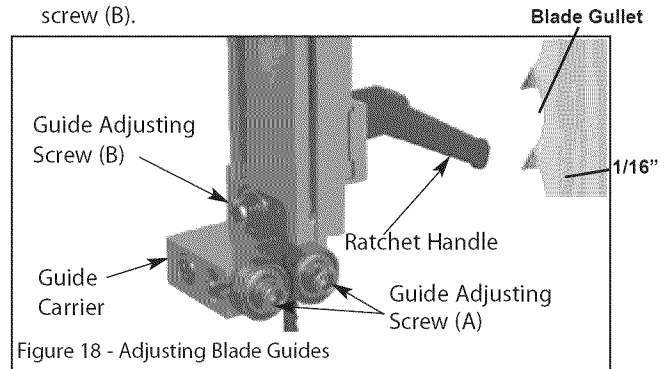


Figure 18 - Adjusting Blade Guides

LOWER BLADE GUIDE

Refer to Figure 19.

- To adjust the lower blade guides, first position the right and left roller guides relative to the blade by slackening the lock nut and moving the guide carrier until both roller guides are approximately $\frac{1}{16}$ " behind the gullets of the saw blade. (See Figure 18)
- Set both roller guides to within $\frac{1}{32}$ " of the saw blade by releasing the guide adjusting screw (C) on each side of the saw blade. Do not set the roller guides too close as this will adversely affect the life of the saw blade.
- Adjust the rear roller guide to be just clear of the back of the saw blade by unlocking the guide adjusting screw (D).
- When the correct adjustment is reached, lock the rear roller guide in position with the guide adjusting screw (D).

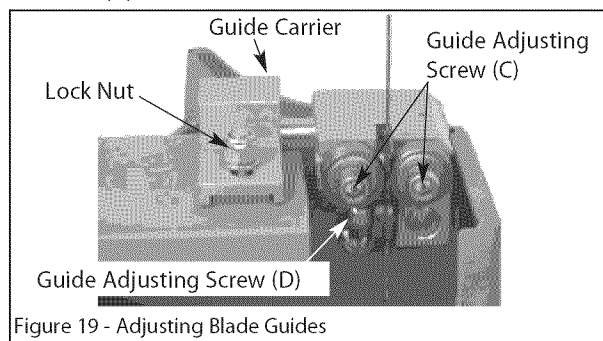


Figure 19 - Adjusting Blade Guides

TILTING THE TABLE

For bevel cuts, the table tilts 0 through 45 degrees.

- To tilt the table, loosen the knob on the table trunnion, set the table to the required angle and tighten the knob again (see Figure 20, page 9).
- It is recommended to verify the correct angle setting using an angle guide, or by making trial cuts in scrap wood. Adjust the indicator accordingly by using a Phillips head screwdriver.

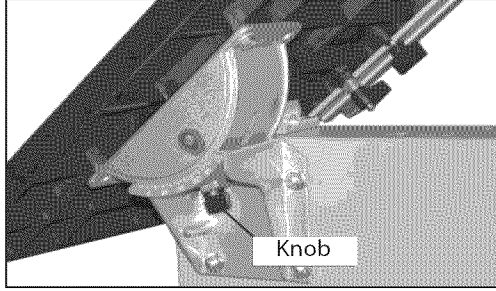


Figure 20 - Tilting the Table

ADJUSTING THE RIP FENCE

The locking pressure of the rip fence has been factory-set; if adjustment is required proceed as follows:

- Raise the fence handle to horizontal position.
- Turn the fence handle clockwise to increase clamping pressure, counterclockwise to decrease clamping pressure (see Figure 21).
- After counterclockwise turning the fence handle, sliding the rip fence to the desired position on the guide rail (see Figure 21).
- The fence handle has a cam action, press down the handle to clamp tightly to the table after setting rip fence to desired position.

NOTE: Do not adjust the fence handle such that excessive pressure is exerted during operation - this may lead to deformation of the end clamp at the rear of the rip fence. Set the fence handle to apply just enough pressure to secure fence position during cutting

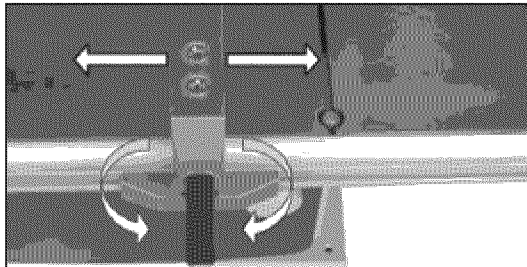


Figure 21 - Adjusting the Rip Fence

BLADE SELECTION

- Blades vary depending on type of material, size of workpiece and type of cut that is being performed.
- Characteristics which make blades different are width, thickness and pitch.

BLADE WIDTH

- Width of blade describes distance from tip of a tooth to back of blade.
- Width of blade affects rigidity of blade. A wider blade wanders less and produces a straighter cut.
- Width of blade also limits the smallest radius which can be cut. A $\frac{1}{4}$ " wide blade can cut about a $\frac{1}{2}$ " radius.

BLADE THICKNESS

- Blade thickness describes the distance between sides of blade. A thicker blade has more rigidity and stronger teeth.
- A narrow thick blade is used to cut curves while a wide thin blade is used to make long, straight cuts.

BLADE PITCH

- Pitch describes number of teeth per inch or tooth size. A blade with more teeth per inch produces a smoother cut.
- The type of material being cut determines number of teeth which should be in contact with work.
- For soft materials, the proper blade has between 6 to 8 teeth per inch.
- When cutting hard materials, where shocking is more detrimental, use a blade with 8 to 12 teeth per inch.
- There should always be at least three teeth in contact with cut to avoid shocking blade.
- Blade shocking occurs when pitch is too large and blade tooth encounters too much material. This can strip teeth from blade.
- Blade manufacturers are prepared to supply information about blades for specific applications.

TYPE OF CUT

- Contour cutting is done by guiding workpiece free-handed to produce curved shapes.
- Beveled cutting is done by tilting saw table and using proper work guide method.
- Regardless of which work guiding method is used, a workpiece which overhangs table by more than 5" needs proper support.

CONTOUR SAWING

- When contour sawing, use both hands to keep workpiece flat against table and guided along desired path.
- **WARNING:** Avoid positioning hands in line with blade. If hands slip, they could contact blade.
- Try to stand to front of the saw and use hands over the portion of table which is to right of blade and before cut.
- Cut small corners by sawing around them. Saw to remove scrap until desired shape is obtained.

BEVEL CUTTING

Refer to Figure 23.

- Perform bevel cutting by tilting table to desired degree.
- Unlock table by loosening locking handle located on the backside of the unit (Key No. 68).
- Tilt table to desired position.
- Lock table in position by tightening locking handle.

MITER GAUGE

- Use miter gauge for securing and holding workpiece at desired angle to produce angled cuts. Use scale to adjust gauge to desired angle.

WARNING: Never use miter gauge and rip fence at the same time. The blade might bind in the workpiece. Operator could be injured and/or workpiece could be damaged.

BLADE CLEANING BRUSH

Refer to Figure 23.

- Make sure that brush (Key No. 150) is in contact with blade to properly remove foreign particles from drive wheel.

MAINTENANCE

Refer to Figure 23, page 12.

Steps required to keep the saw in optimum operating condition have been described under "Operating Instructions." The Safety Precautions should be performed before operation.

For proper maintenance:

- Keep saw clean and dry. Sweep off spots where chips have collected.
- Lubricate the unpainted surfaces with a light application of medium consistency machine oil to prevent corrosion after cleaning.
- Replace dull blades and blades from which teeth have been stripped. A clean saw with a sharp blade will yield the best cut.
- Internal parts of the band saw have been completely lubricated at the factory and do not need to be relubricated.

WARNING: Make certain that the saw is disconnected from the power source before attempting to service or remove any component.

WARNING: Any attempt to repair the motor may create a hazard unless repair is done by qualified service technician.

Repairs are available at a Sears Parts and Repair Service Center.

CHANGING THE DRIVE BELT

- Release the saw blade tension by turning the blade tension knob on the top of band saw counterclockwise.
- Using a M6 hex "L" wrench (not provided) to release the hex socket head cap screw on motor mounting flange (see Figure 22).

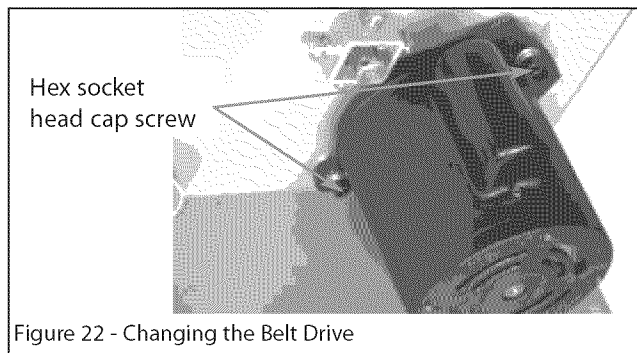


Figure 22 - Changing the Belt Drive

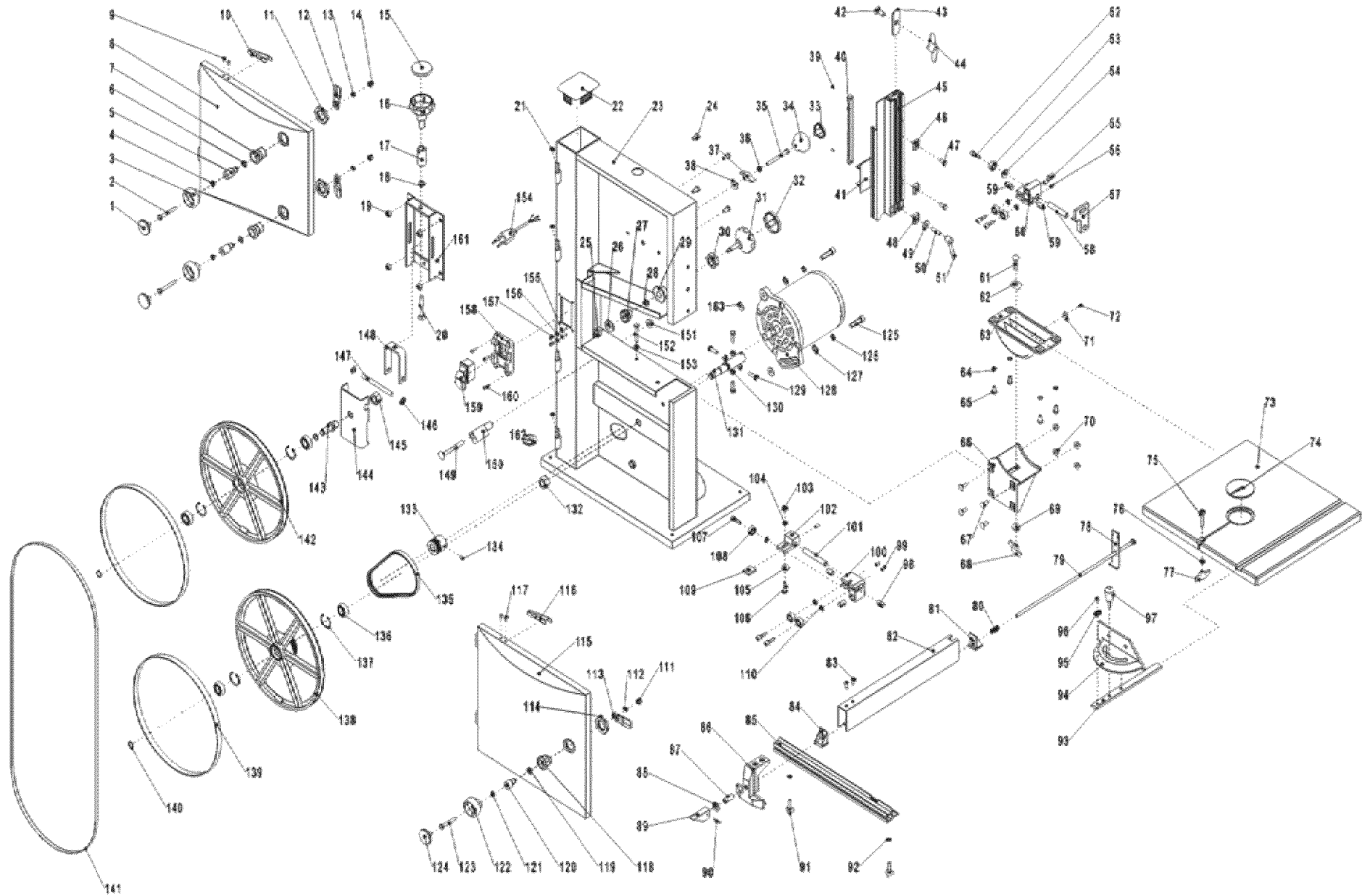
- Using a clip pliers (not provided) remove the retaining ring from the center of the lower wheel.
- Carefully slide the lower wheel forward and at the same time release the saw blade from this wheel.
- Remove the old drive belt and fit the new belt. (Ensure ribs in drive belt are seated correctly before reassembling and tensioning the drive belt)
- Follow procedures for CHANGING AND ADJUSTING THE SAW BLADE & TRACKING THE SAW BLADE, before restoring power to the band saw and setting up for use.

TROUBLESHOOTING

SYMPTOM	POSSIBLE CAUSE(S)	CORRECTIVE ACTION
The machine does not work when switched on.	<ol style="list-style-type: none"> 1. No power supply. 2. Defective switch. 3. Defective motor. 	<ol style="list-style-type: none"> 1. Check the cable for breakage. 2. Replace the lock switch. 3. Replace the motor.
The saw blade does not move with the motor running.	<ol style="list-style-type: none"> 1. The blade tension knob has not been tightened. 2. The blade has come off one of the wheels. 3. The saw blade has broken. 4. The drive belt has snapped. 	<ol style="list-style-type: none"> 1. Switch off the motor, tighten the blade tension knob. 2. Open the doors and check 3. Replace the blade. 4. Replace the belt.
The saw blade does not cut in a straight line.	<ol style="list-style-type: none"> 1. Rip fence for cutting not used. 2. Feed rate too fast. 3. The blade teeth are dull or damaged. 4. Blade guides not suitably adjusted. 	<ol style="list-style-type: none"> 1. Use a rip fence. 2. Put light pressure on the workpiece. Make sure the saw blade does not bend. 3. Try a new saw blade. 4. Adjust the blade guides (see OPERATION instructions).
The saw blade does not cut, or cuts very slowly.	<ol style="list-style-type: none"> 1. The teeth are dull, caused by cutting hard material or long use. 2. The saw blade was fitted the wrong way on the band saw. 	<ol style="list-style-type: none"> 1. Replace the saw blade, use a 6 T.P.I. saw blade for wood and soft material. Use a 14 T.P.I. saw blade for harder materials. A 14 T.P.I. saw blade always cuts slower due to the finer teeth and the slower cutting performance. 2. Fit the saw blade correctly.
Sawdust builds up inside the machine.	This is normal	Clean the machine regularly. Open the doors and remove the sawdust with a vacuum cleaner.
Sawdust inside the motor housing.	This is normal	Clean the ventilating slots of the motor with a vacuum cleaner. From time to time remove the sawdust to prevent it from being drawn into the housing.
The machine does not cut at 45 or 90 degrees.	<ol style="list-style-type: none"> 1. The table is not at right angles to the blade. 2. The saw blade is dull or too much pressure was put on the workpiece. 	<ol style="list-style-type: none"> 1. Adjust the table. 2. Replace the saw blade or put less pressure on the workpiece.
The saw blade cannot be properly positioned on the wheels.	<ol style="list-style-type: none"> 1. The wheels are not in alignment or defective bearing. 2. The blade tracking knob hasn't been properly adjusted. 3. Inferior saw blade. 	<ol style="list-style-type: none"> 1. Replace bearing. 2. Adjust the blade tracking knob (See OPERATION instructions). 3. Replace the saw blade.

Model 124.214000

Figure 23 - Replacement Parts Illustration



REPLACEMENT PARTS LIST FOR BAND SAW

KEY NO.	PART NO.	DESCRIPTION	KEY NO.	PART NO.	DESCRIPTION	KEY NO.	PART NO.	DESCRIPTION
1	1-JL20061101-081S	Knurled Knob Cap	33	1-JL20061101-001S	Blade Tracking Knob Cap	65	1-M6X12GB5781Z	Hex.Bolt M6X12
2	1-M6X45GB5781Z	Hex. Screw M6X45	34	1-JL20061102-001S	Blade Tracking Knob Body	66	1-JL22030001	Table Trunnion Lower
3	1-JL20061102-081S	Knurled Knob Body	35	1-M6X60GB5781Z	Hex. Bolt M6X60	67	1-M6X16GB14Z	Carriage Bolt M6X16
4	1-M6GB6172Z	Hex. Nut M6	36	1-M6GB6172Z	Hex. Nut M6	68	1-JL22020002-001S	Wing Nut
5	1-JL20010010F	Slotted Insert	37	1-JL22020002-001S	Wing Nut	69	1-WSH6GB96Z	Washer
6	1-JL20010014	Spring Washer	38	1-WSH6GB96Z	Washer	70	1-M6GB6177Z	Flange Nut M6
7	1-JL20010011A001S	Lock Housing	39	1-ST3D5X13GB846Z	Tapping Screw 3.5X9.5	71	1-1506003-01016S	Indicator
8	1-JL22012000D001Z	Upper Door	40	1-JL22041006	Rack	72	1-ST3D5X9D5GB845Z	Tapping Screw 3.5X9.5
9	1-RVT4X8GB12618A	Rivet	41	1-JL22041009	Slide	73	1-JL22031001F001G	Table
10	1-JL22010008	Leaf Spring	42	1-M8X20GB14Z	Carriage Bolt M8X20	74	1-JL22031002A001S	Table Insert
11	1-JL20010012	Hex. Nut	43	1-JL20041004	Bolt Guide	75	1-M6X30GB70Z	Hex.SocketScrewM6X30
12	1-JL20010009	Tongue Lock	44	1-JL20010016-001S	Wing Nut	76	1-WSH6GB97D1Z	Washer
13	1-WSH6GB93Z	Spring Washer	45	1-JL22041001D	SawBlade Guide Assembly	77	1-JL22020002A-001S	Wing Nut
14	1-M6GB889ZF	Lock Nut M6	46	1-JL22041008	T-Nut	78	1-JL22061006A	Fence Clamper
15	1-JL22024002-001S	Blade Tension Knob Cap	47	1-M6X10GB5781B	Hex. Bolt M6X10	79	1-JL22061009	Threaded Rod
16	1-JL22024001-001S	Blade Tension Knob Body	48	1-JL22041008A	T-Nut	80	1-0802004	Spring
17	1-JL22021003	Blade Tensioner	49	1-WSH6GB96Z	Washer	81	1-JL22061005A	Guide Rod
18	1-WSH8GB97D1Z	Washer	50	1-M6X25GB80B	Hex.SocketSetScrewM6X25	82	1-JL22061001D	Fence
19	1-M6GB6177Z	Flange Nut M6	51	1-JL46084000-001S	Locking Lever	83	1-M6X10GB819Z	Sunk Head Screw
20	1-M8X50GB14Z	Carriage Bolt M8X50	52	1-JL22042005	Guide Adjust Screw	84	1-JL22061005A	Guide Rod
21	1JL20010001A	Washer	53	1-BRG626-2ZGB276	Bearing 80026	85	2-SR22033000	Guide Rail Assembly
22	1-JL22010001A-001S	Top Plug	54	1-WSH6GB97D1Z	Washer	86	1-JL22061002A	Fence Clamp
23	1-JL22011000I081Z	Frame Bandsaw	55	1-JL22042004	Bearing Mount Cylinder	87	1-JL22061003	Special Screw
24	1-M6X12GB5781B	Hex. Screw M6X12	56	1-M6X10GB80B	Hex. Socket Screw M6X10	88	1-WSH10GB97D1Z	Washer
25	1-M6GB889ZF	Lock Nut M6	57	1-JL22041003	Upper Guide Mount	89	1-JL22061004	Fence Handle
26	1-WSH6GB97D1Z	Washer	58	1-JL22042002	Guide Shaft	90	1-PIN3X18GB879B	Roll Pin
27	1-JL22040001	Gear	59	1-JL22042003	BearingMountCylinder/Cap	91	1-JL60020023A	Knob
28	1-JL22040003	Spring Washer	60	1-JL22042001	3-Roller Guide Block	92	1-WSH6GB97D1Z	Washer
29	1-JL22040002A	Tube	61	1-M6X35GB12Z	Carriage Bolt M6X30	93	1-JL60040002	Aluminium Bar
30	1-JL22040007	Nut	62	1-JL22030002-001S	Glide Piece	94	1-JL60040001-001S	Miter Gauge Base
31	1-JL22044001-001S	Adjusting Knob Body	63	1-JL22032001B	Table Trunnion Upper	95	1-1506003-01016S	Indicator
32	1-JL20024001-001S	Adjusting Knob Cap	64	1-WSH6GB862D2Z	Lock Washer	96	1-M5X6GB818B	Pan Head Screw M5X6

REPLACEMENT PARTS LIST FOR BAND SAW (CONTINUED)

KEY NO.	PART NO.	DESCRIPTION	KEY NO.	PART NO.	DESCRIPTION	KEY NO.	PART NO.	DESCRIPTION
97	1-JL60040003-001S	Knob	121	1-M6GB6172Z	Hex. Nut M6	145	1-M14GB6171Z	Hex. Nut M14
98	1-JL22042004	Adjusting Shaft	122	1-JL20061102-081S	Knurled Knob Body	146	1-JL22021004	Star Lock Cap
99	1-M6X10GB80B	HexSocketSetScrewM6X10	123	1-M6X40GB5781Z	Hex. Screw M6X45	147	1-JL22021002	Shaft Mount
100	1-JL22043001	Lower Guide Body	124	1-JL20061101-081S	Knurled Knob Cap	148	1-JL22021001-081Z	Blade Tensioner
101	1-JL22043002	Lower Guide Shaft	125	1-M8X30GB70B	Hex. Socket Screw M8X30	149	1-M8X70GB14B	Carriage Bolt M8X65
102	1-JL22043003	Lower Guide Mount	126	1-WSH8GB93Z	Spring Washer	150	1-JL22020006	Brush Strip
103	1-M6GB889Z	Lock Nut M6	127	1-WSH8GB97D1Z	Washer	151	1-M8GB6177D1B	Flange Nut M8
104	1-WSH6GB97D1Z	Washer	128	1-G7412634B	Motor	152	1-M6X35BG5781Z	Hex. Bolt M6X35
105	1-WSH6GB96Z	Washer	129	1-M6X20GB5783Z	Hex. Bolt M6X20	153	1-M6GB6170Z	Hex. Nut M6
106	1-M6X20GB5783Z	Hex. Bolt M6X20	130	1-M6GB6170Z	Hex. Nut M6	154	1-U23182300-471	Cable w/Plug
107	1-JL22042005	Guide Adjust Screw	131	1-JL22020004	Lower Bearing Bolt	155	1-WSH4GB862D2Z	Lock Washer
108	1-BRG626-2ZGB276	Bearing 80026	132	1-M14GB6171Z	Hex. Nut M14	156	1-WSH4GB97D1Z	Washer
109	1-JL22040004	Pin Guide Seat	133	1-JL22071001A	Motor Pulley	157	1-M4X8GB818Z	Pan Head Screw M4X8
110	1WSH6GB97D1Z	Washer	134	1-M6X10GB80B	HexSocketSetScrewM6X10	158	1-JL20070002A	Switch Cover Plate
111	1-M6GB889ZF	Lock Nut M6	135	1-JL22020003	Poly-V-Belt	159	1-HY18-32B	Lock Switch
112	1-WSH6BG93Z	Spring Washer	136	1-BRG6001-2ZGB276	Bearing 80101	160	1-M4X12GB823Z	Pan Head Screw M4X12
113	1-JL20010009	Tongue Lock	137	1-CLP28GB893D1B	Retaining Ring	161	1-JL22021100-081Z	Tension Angle
114	1-JL20010012	Hex. Nut	138	1-JL22023001	Lower Wheel	162	1-JL20072003	Rubber Tube
115	1-JL22013000A001Z	Lower Door	139	1-JL22022002	Tire	163	1-WSH8GB96Z	Washer
116	1-JL22010008	Leaf Spring	140	1-CLP12GB894D1B	Retaining Ring	Δ	2-JL22061000D	Rip Fence Assembly
117	1-RVT4X8GB12618A	Rivet	141	1-JL22020001A	Blade	Δ	2-JL22000010E15	Hardware Kit
118	1-JL20010011-001S	Lock Housing	142	1-JL22022001	Upper Wheel	Δ	1-SR22080001B	Owners Manual

14

* Standard hardware item available locally.

Δ Not shown.

Recommended Accessories		
Δ	70 1/2 x 1/8" x 14 TPI Flex Back Blade	9-29556
Δ	70 1/2 x 3/16" x 10 TPI Flex Back Blade	9-29557
Δ	70 1/2 x 1/4" x 6 TPI Skip Tooth Flex Back	9-29558
Δ	70 1/2 x 3/8" x 4 TPI Skip Tooth Flex Back	9-29559

NOTES

SIERRA DE BANDA DE 10"

Modelo No. 124.214000

PRECAUCION: Lea y siga todas las Reglas de Seguridad e Instrucciones de Operación antes de utilizar este producto por primera vez.

CONTENIDO

Inglés	2-10
Ilustración y Lista de Partes	12-14
Garantía	16
Reglas de Seguridad	16-17
Desempaque	17
Montaje	18-19
Instalación	19-20
Operación	21-24
Mantenimiento	24
Identificación de Problemas	25

GARANTIA

GARANTIA COMPLETA DE UN AÑO PARA HERRAMIENTA CRAFTSMAN

Si esta herramienta Craftsman fallara por causa de defectos en el material o en la mano de obra en un lapso de un año a partir de la fecha de compra, LLAME al 1-800-4-MY-HOME PARA SOLICITAR LA REPARACION GRATUITA DEL PRODUCTO (o su reemplazo si no se puede reparar la unidad). Esta garantía no incluye partes fungibles, tales como lámparas, baterías, barrenas o cuchillas.

Si esta herramienta se usa alguna vez para fines comerciales o de alquiler, esta garantía es válida únicamente por 90 días a partir de la fecha de compra.

Esta garantía le otorga derechos legales específicos y también puede usted tener otros derechos que varíen de estado a estado.

Sears, Roebuck and Co., Hoffman Estates, IL 60179

REGLAS DE SEGURIDAD

ADVERTENCIA DE LA PROPOSICION 65: Parte del polvo producido por las operaciones de lijado, serrado, esmerilado y taladrado realizadas con herramientas eléctricas y otras actividades de construcción contiene sustancias químicas que el estado de California reconoce como causantes de cáncer, malformaciones congénitas u otros daños reproductivos.

Algunos ejemplos de estas sustancias químicas son:

- Plomo proveniente de pinturas con base de plomo.
- Sílice cristalino proveniente de ladrillos, cemento y otro material de mampostería.
- Arsénico y cromo proveniente de madera químicamente tratada.

El riesgo debido a la exposición de estas sustancias químicas depende de la frecuencia con la cual realice este tipo de trabajo. Para reducir la exposición a estas sustancias químicas: trabaje

en un área bien ventilada y utilice equipo de seguridad aprobado. Cuando trabaje con este tipo de herramientas, utilice siempre una máscara para la cara o respirador adecuadamente ajustados, aprobados por OSHA/NIOSH .

ADVERTENCIA: Por su propia seguridad, lea todas las instrucciones y precauciones antes de manejar la herramienta.

PRECAUCION: Siempre siga los procedimientos de operación correctos, tal como se definen en este manual, aun cuando esté familiarizado con el uso de ésta o de otras herramientas similares. Recuerde que descuidarse aunque sólo sea por una fracción de segundo puede ocasionarle graves lesiones.

EL OPERADOR DEBE ESTAR PREPARADO PARA EL TRABAJO

- Use ropa apropiada. No use ropa holgada, guantes, corbatas, anillos, pulseras ni otras joyas que puedan atascarse en las piezas móviles de la máquina.
- Use una cubierta protectora para el cabello, para sujetar el cabello largo.
- Use zapatos de seguridad con suelas antideslizantes.
- Use gafas de seguridad que cumplan con la norma ANSI Z87.1 de los Estados Unidos. Los anteojos comunes tienen lentes que sólo son resistentes al impacto. NO son anteojos de seguridad.
- Use una máscara para la cara o una máscara contra el polvo, si al utilizar la herramienta se produce mucho polvo.
- Esté alerta y piense claramente. Nunca opere herramientas mecánicas cuando esté cansado, intoxicado o bajo la influencia de medicación que produzca somnolencia.

PREPARE EL AREA DE TRABAJO PARA LA TAREA A REALIZAR

- Mantenga el área de trabajo limpia. Las áreas de trabajo desordenadas atraen accidentes.
- No use herramientas mecánicas en ambientes peligrosos. No use herramientas mecánicas en lugares húmedos o mojados. No exponga las herramientas mecánicas a la lluvia.
- El área de trabajo debe estar iluminada adecuadamente.
- Debe haber disponible una toma de corriente adecuada para la herramienta. El enchufe de tres puntas debe enchufarse directamente a un receptáculo para tres puntas puesto a tierra correctamente.
- Los cordones de extensión deben tener una punta de conexión a tierra y los tres alambres del cordón de extensión deben ser del calibre correcto.
- Mantenga a los visitantes a una distancia prudente del área de trabajo.
- Mantenga a los niños fuera del lugar de trabajo. Haga que su taller sea a prueba de niños. Use candados, interruptores maestros y remueva las llaves del arrancador para impedir cualquier uso involuntario de las herramientas mecánicas.

SE DEBE DAR MANTENIMIENTO A LA HERRAMIENTA

- Desenchufe siempre la herramienta antes de inspeccionarla.
- Consulte el manual para informarse sobre los procedimientos de mantenimiento y ajuste específicos.
- Mantenga la herramienta lubricada y limpia de modo que funcione de la manera más segura.
- Retire las herramientas de ajuste. Desarrolle el hábito de verificar que hayan sido retiradas las herramientas de ajuste antes de encender la máquina.

- Mantenga todas las partes listas para funcionar. Revise el protector u otras piezas para determinar si funcionan correctamente y hacen el trabajo que deben hacer.
- Revise que no haya partes dañadas. Verifique el alineamiento de las partes móviles, si hay atascamiento, roturas y montaje o cualquier otra condición que pudiera afectar el funcionamiento de la herramienta.
- Si hay una protección o cualquier otra parte dañada, éstas deberán repararse correctamente o ser reemplazadas. No haga reparaciones provisionales (véase de la lista de partes incluida para solicitar partes de repuesto).

EL OPERADOR DEBE SABER COMO USAR LA HERRAMIENTA

- Use la herramienta correcta para cada trabajo. No fuerce la herramienta ni el accesorio para realizar una tarea para la cual no han sido diseñados.
- Cuando cambie la hoja, desconecte la herramienta.
- Evite que la herramienta se encienda accidentalmente. Cerciórese de que la herramienta esté en la posición "off" (apagado) antes de enchufarla.
- No fuerce la herramienta. Funcionará en la forma más eficaz a la velocidad para la cual se diseñó.
- Mantenga las manos alejadas de las partes móviles y de las superficies cortantes.
- Nunca deje desatendida una herramienta en funcionamiento. Desconéctela y no la abandone hasta que se haya detenido por completo.
- No trate de alcanzar demasiado lejos. Manténgase firme y equilibrado.
- Nunca se coloque de pie sobre la herramienta. Se pueden producir lesiones graves si la herramienta se vuelca o se hace contacto con la hoja en forma accidental.
- Conozca su herramienta. Aprenda a manejar la herramienta, su aplicación y limitaciones específicas.
- Use los accesorios recomendados. Si se usan accesorios incorrectos, puede sufrir lesiones o lesionar a alguien.
- Maneje la pieza de trabajo en forma correcta. Protéjase las manos de posibles lesiones.
- Apague la máquina si se atasca. La hoja se atasca si se introduce muy profundamente en la pieza de trabajo (la fuerza del motor la mantiene trabada en la pieza de trabajo). No quite las piezas atascadas o cortadas hasta que se haya apagado y desconectado la sierra y la hoja se haya detenido.
- Mantenga bien ajustados los siguientes: la tensión de la hoja, las guías de la hoja y los cojinetes de empuje.
- Ajuste la guía superior para que apenas quede separada de la pieza de trabajo.
- Sujete firmemente la pieza de trabajo contra la mesa.
- DIRECCION DE LA ALIMENTACION: Alimente la pieza de trabajo en la hoja o en la cortadora, sólo contra la dirección de rotación de la hoja o cortadora.

ADVERTENCIA: La operación de toda herramienta mecánica puede hacer que salgan arrojados objetos extraños hacia los ojos y les causen graves heridas. Siempre use gafas de seguridad que cumplan con los requisitos de la norma estadounidense ANSI Z87.1 (se indica en el paquete) antes de comenzar a usar la herramienta mecánica. Puede obtener gafas de seguridad a través de su catálogo de Sears.

DESEMPAQUE

Verifique que no hayan ocurrido daños durante el envío. Si hay daños, se deberá presentar un reclamo a la compañía de transporte. Verifique que esté completo. Avise inmediatamente al distribuidor si faltan partes.

La Sierra de banda de 10" Modelo 124.214000, se envía completa en una caja. La sierra de banda viene armada como una unidad. Será necesario localizar y ver que no falten las partes adicionales que deben montarse en la sierra, antes de instalarlas (véase la Figura 1).

- A Máquina principal (1)
- B Conjunto de la guía (1)
- C Mesa (1)
- D Riel de guía (1)
- E Manual del propietario (1)
- F Conjunto del muñón (soporte giratorio) superior de la mesa (1)
- G Bolsa de partes sueltas (1)

La bolsa de partes incluye: Manilla de tensión de la hoja (1), Guía de ingleses (1), Tornillo de casquete de cabeza hueca hexagonal M6x30 (1), Arandela M6 (1), Tuerca de mariposa M6 (1), Perno hexagonal M6x12 (4), Arandela de seguridad M6 (4), Tornillo de manilla en estrella (2), Arandela M6 (2), Llave "L" hexagonal M3 (1), Llave "L" hexagonal M5 (1).

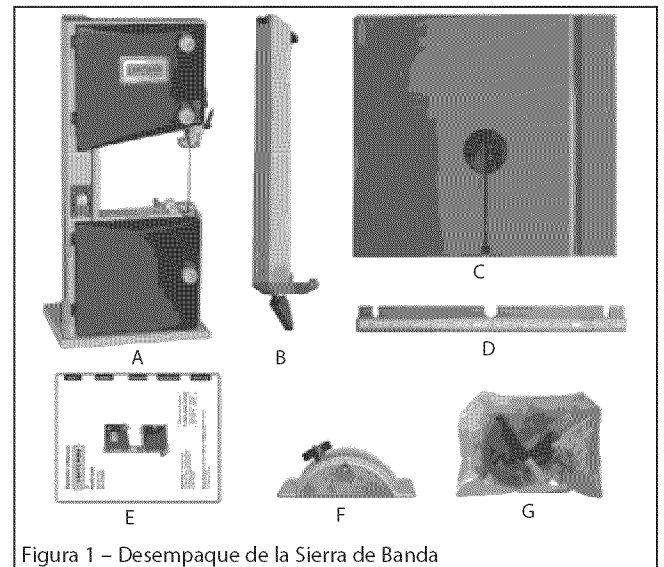


Figura 1 – Desempaqué de la Sierra de Banda

IMPORTANTE: La mesa viene revestida con un protector. Para garantizar un ajuste y un funcionamiento correctos, retire dicho revestimiento. Éste se puede eliminar fácilmente usando solventes suaves, tales como esencias minerales, y un paño suave. Evite dejar caer esta solución en la pintura o en cualquier parte de goma o plástico. Los solventes pueden deteriorar estos acabados. Use agua y jabón en la pintura y en los componentes de plástico o goma. Después de limpiar, cubra todas las superficies metálicas expuestas con una capa fina de aceite. Se recomienda el uso de cera en pasta para la parte superior de la mesa.

ADVERTENCIA: Nunca use solventes muy volátiles. Se recomienda utilizar solventes no inflamables para evitar posibles incendios.

MONTAJE

PRECAUCION: No intente hacer el montaje si hay partes que faltan. Válgase de este manual para solicitar partes de repuesto.

La máquina se suministra parcialmente armada. Antes de usarla, deben instalarse los siguientes elementos: la mesa, la manilla de tensión de la hoja y el reborde para aserrar a lo largo.

ADVERTENCIA: Para evitar ser lesionado, no intente hacer funcionar o usar esta máquina hasta que todas sus partes estén montadas y funcionen correctamente.

INSTALACION DEL MUÑÓN DE LA MESA

- Monte el muñón superior de la mesa en el muñón inferior de la mesa con el perno de carruaje, pieza de deslizamiento, arandela y tuerca de mariposa. Coloque la mesa en el muñón superior de la mesa, teniendo cuidado cuando pase la hoja de la sierra a través de la ranura de la mesa (véase la Figura 2).

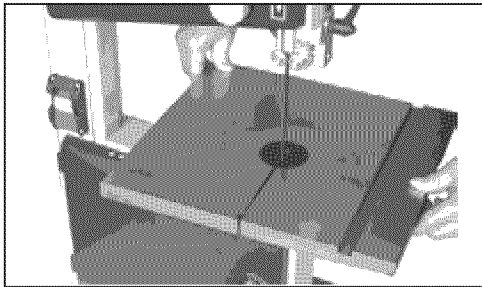


Figura 2 – Monte la Mesa de Soporte Giratorio

Obtenga cuatro pernos hexagonales y cuatro arandelas de seguridad de la bolsa de partes sueltas. Monte la mesa en el muñón superior de la mesa e instale un perno con arandela en cada agujero, luego apriételos con una llave ajustable.

CENTRADO DE LA MESA

- Afloje los cuatro pernos hexagonales que fijan la mesa en el muñón superior de la misma (véase la Figura 3).

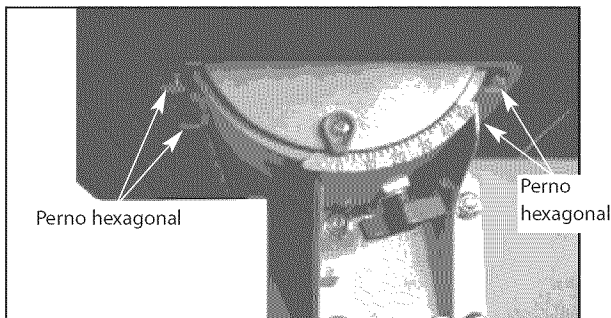


Figura 3 – Pernos Hexagonales para el Muñón

- Mueva lateralmente la mesa según sea necesario, hasta que la hoja pase a través del centro del inserto de la mesa.
- Si el movimiento del muñón superior de la mesa no es suficiente para centrar la mesa, afloje las cuatro tuercas de brida que sujetan el muñón inferior de la mesa y mueva lateralmente la mesa para ponerla en el centro.
- Vuelva a apretar los pernos hexagonales para el muñón y las tuercas de brida, luego revise nuevamente la posición de la hoja de la sierra.

AJUSTE DE LA MESA PARA PONERLA A ESCUADRA CON LA HOJA DE LA SIERRA

Consulte las Figuras 4 y 5.

Afloje la manilla en el muñón inferior de la mesa y ponga una escuadra de tamaño adecuado contra la hoja de la sierra. Si es necesario hacerle un ajuste a la mesa, proceda de la siguiente manera:

- Con una llave, afloje la tuerca hexagonal en el bastidor (véase la Figura 4).

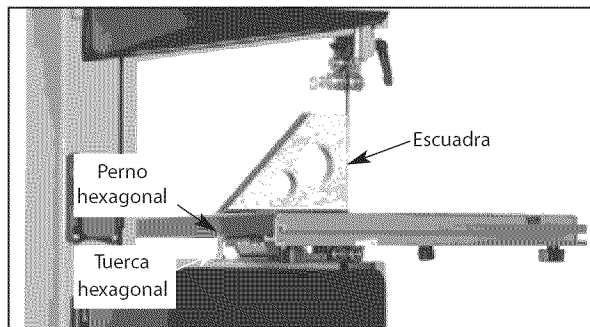


Figura 4 – Ponga la Mesa a Escuadra con la Hoja de la Sierra

- Ponga la llave en el perno hexagonal y ajústelo hasta que la mesa esté a escuadra con la hoja de la sierra (véase la Figura 12).
- Apriete la tuerca hexagonal y revise nuevamente para comprobar si la hoja de la sierra y la mesa ya están a escuadra.
- Fije la mesa en posición y compruebe que el indicador lea cero grados en uno de los lados del muñón inferior de la mesa. Afloje el tornillo que sujeta el indicador y reajuste éste si es necesario para que indique cero grados (véase la Figura 5).

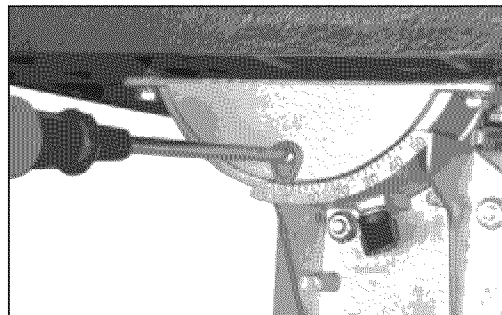


Figura 5 – Ajuste el Indicador a Cero

INSTALACION DEL RIEL DE GUÍA

- Monte y sujete el riel de guía en la mesa con dos tornillos de manilla en estrella y arandelas. Utilice el tornillo de casquete de cabeza hueca hexagonal, la arandela y la tuerca de mariposa para corregir la planitud de la mesa de trabajo (véase la Figura 6).

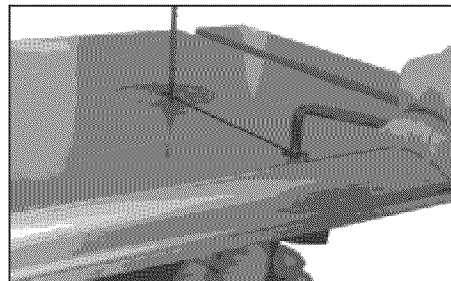


Figura 6 – Instale el Riel de Guía

INSTALACION DEL REBORDE PARA ASERRAR A LO LARGO

- Coloque el reborde para aserrar a lo largo sobre el riel de guía. Ajuste el reborde para aserrar a lo largo, a fin de que esté paralelo con la hoja de la sierra. Presione hacia abajo la manivela del reborde para aserrar a lo largo, para apretarla (véase la Figura 7).

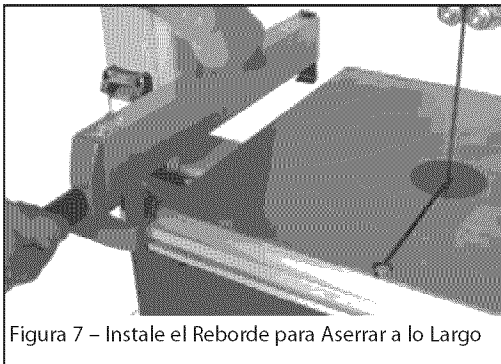


Figura 7 – Instale el Reborde para Aserrar a lo Largo

INSTALACION DE LA MANILLA DE TENSION DE LA HOJA

- Coloque la manilla de tensión de la hoja en el tensor de la hoja (véase la Figura 8).

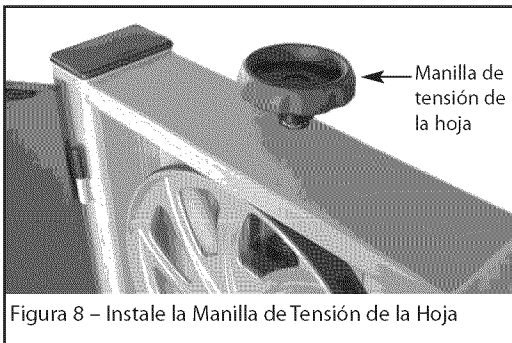


Figura 8 – Instale la Manilla de Tensión de la Hoja

ESTABILIZACION DE LA MAQUINA

- Para garantizar una suficiente estabilidad vertical de la máquina, debe anclarse ésta con pernos en el piso, un banco de trabajo o una mesa de trabajo. Para este propósito, se incluyen agujeros de 6 mm en la base de la máquina. No incluye los herrajes de montaje (véase la Figura 9).

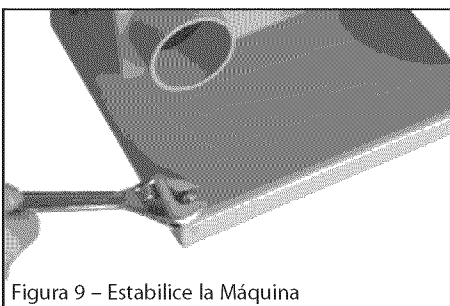


Figura 9 – Estabilice la Máquina

UTILICE UN COLECTOR DE POLVO ADECUADO

- La sierra de banda incluye un orificio de salida de polvo de 2½" (véase la Figura 10).

Se recomienda que cuando se use la sierra de banda, ésta esté conectada a un colector de polvo adecuado.

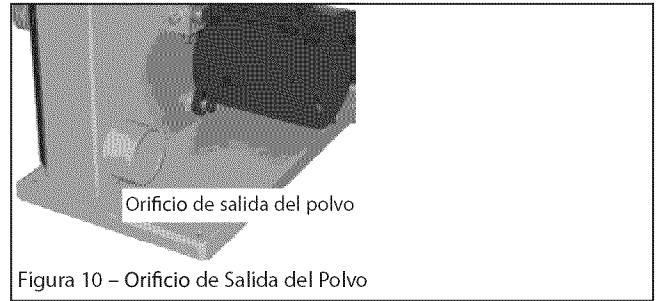


Figura 10 – Orificio de Salida del Polvo

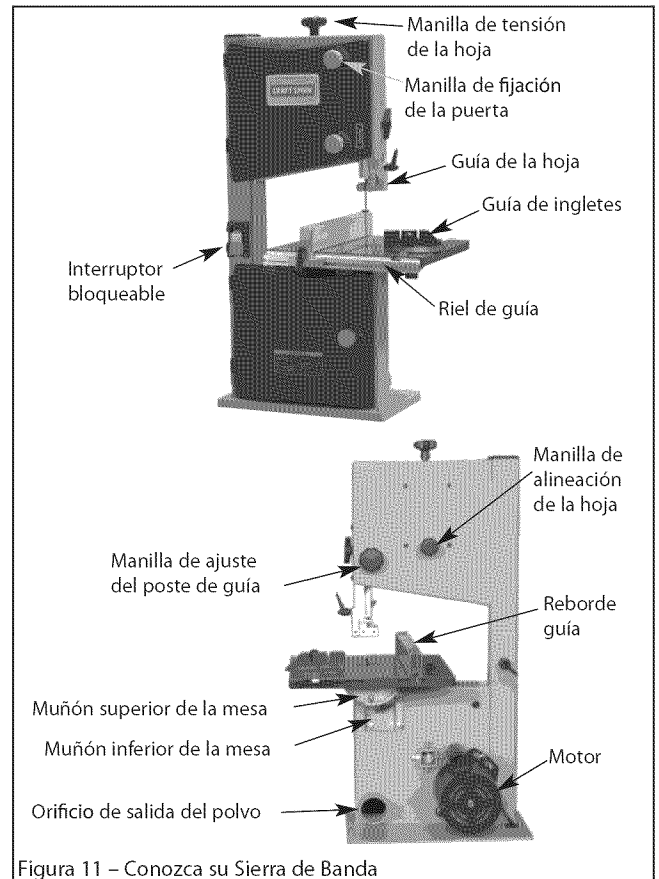


Figura 11 – Conozca su Sierra de Banda

INSTALACION

MOTOR

La sierra de banda se suministra con un motor de 1/3 HP.

El motor de CA de 120 voltios tiene las siguientes especificaciones:

Caballos de fuerza1/3
Voltaje120
Amperaje3.5
Hertzios60
FaseMonofásico
RPM1720

ADVERTENCIA: Un electricista calificado debe hacer todas las conexiones eléctricas.

CONEXIONES ELECTRICAS

ADVERTENCIA: Cerciérese de que la unidad esté apagada y desconectada de la fuente de alimentación siempre que se inspeccione el cableado.

FUENTE DE ALIMENTACION

La sierra de banda viene precableada para uso con una fuente de alimentación de 120 voltios, 60 Hz.

El motor ha sido diseñado para funcionar al voltaje y frecuencia especificados. Las cargas normales se pueden manejar con seguridad con voltajes no mayores de 10% por encima o por debajo del voltaje especificado.

El hacer funcionar la unidad con voltajes fuera del rango especificado puede sobrecalentar la herramienta y quemar el motor. Para cargas pesadas es necesario que el voltaje en las terminales del motor no sea inferior al voltaje especificado. La fuente de alimentación del motor está controlada por un interruptor basculante unipolar.

INSTRUCCIONES PARA LA CONEXION A TIERRA

ADVERTENCIA: Si no se conecta correctamente el conductor a tierra del equipo, se corre el riesgo de una descarga eléctrica. El equipo debe estar conectado a tierra mientras se usa para proteger al operador contra una descarga eléctrica.

- Si no entiende las instrucciones de conexión a tierra o tiene dudas en cuanto a si la herramienta está correctamente conectada a tierra, consulte con un electricista calificado.

A fin de protegerlo contra una descarga eléctrica, esta herramienta está equipada con un cordón de tres conductores, aprobado y clasificado para 150 V, y con un enchufe de tres puntas del tipo de conexión a tierra.

- El enchufe de conexión a tierra debe conectarse directamente a un receptáculo para 3 puntas instalado y conectado debidamente a tierra, tal como se muestra en la Figura 12.

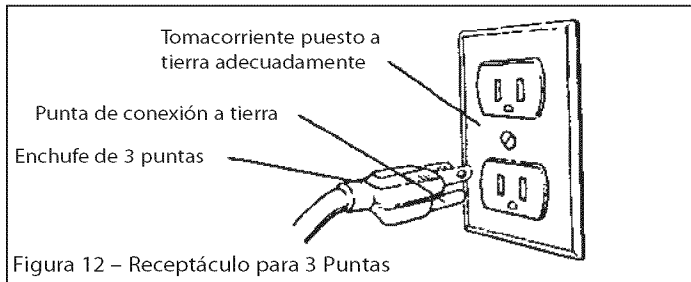


Figura 12 – Receptáculo para 3 Puntas

- No retire ni modifique en forma alguna la punta de conexión a tierra. En caso de un mal funcionamiento o una avería, la conexión a tierra proporciona una ruta de menor resistencia para la descarga eléctrica.

ADVERTENCIA: Al conectar o desconectar el enchufe del tomacorriente, no permita que los dedos toquen las terminales o el enchufe.

- El enchufe debe conectarse en el tomacorriente correspondiente que haya sido instalado y conectado a tierra debidamente, de acuerdo con todos los códigos y regulaciones locales. No modifique el enchufe que se incluye. Si no cabe en el tomacorriente, solicite a un electricista calificado que instale un tomacorriente adecuado.
- Revise periódicamente los cordones de la herramienta, si están dañados, llévelos a un centro de servicio autorizado para que los reparen.
- El conductor verde (o verde y amarillo) del cable es para conexión a tierra. Si es necesario reparar o reemplazar el cordón eléctrico o el enchufe, no conecte el cable verde (o verde y amarillo) a un terminal energizado.

Si se cuenta únicamente con un receptáculo para dos puntas, éste deberá ser reemplazado con un receptáculo para tres puntas debidamente conectado a tierra e instalado de acuerdo con las Normas para Instalaciones Eléctricas (National Electric Code) y los códigos y regulaciones locales.

ADVERTENCIA: Esta tarea deberá ser realizada por un electricista calificado.

Hay disponible un adaptador temporal de 3 puntas a 2 puntas con conexión a tierra (véase la Figura 13) para conectar los enchufes a un tomacorriente bipolar que esté correctamente puesto a tierra.

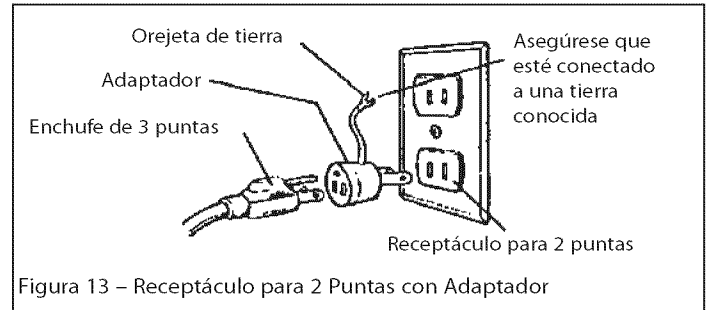


Figura 13 – Receptáculo para 2 Puntas con Adaptador

- No utilice este tipo de adaptadores a menos que esté permitido por los códigos y regulaciones nacionales y locales. (En Canadá no se permite el uso de los adaptadores de 3 puntas a 2 puntas con conexión a tierra.) Cuando esté permitido utilizar este tipo de adaptadores, la lengüeta rígida de color verde o el terminal en el lado del adaptador deberán estar bien conectados a una tierra permanente, como sería una tubería de agua debidamente conectada a tierra, un tomacorriente debidamente conectado a tierra o un sistema de cables debidamente conectado a tierra.

Muchos de los tornillos de la placa de cubierta, las tuberías de agua y las cajas de tomacorriente no están debidamente conectados a tierra. Para garantizar que la conexión a tierra sea efectiva, un electricista calificado debe verificar los medios de conexión a tierra.

CORDONES DE EXTENSION

- El uso de cualquier tipo de cordón de extensión ocasionará una caída en el voltaje y una pérdida de potencia.
- Los alambres del cordón de extensión deben tener el tamaño suficiente para transportar la corriente adecuada y mantener el voltaje correcto.
- Utilice la tabla para determinar el tamaño mínimo del alambre (según la norma AWG) del cordón de extensión.
- Utilice únicamente cordones de extensión trifilares que cuenten con enchufes tipo conexión a tierra de tres puntas y receptáculos tripolares que funcionen con el enchufe de la herramienta.
- Si el cordón de extensión está desgastado, roto o dañado en cualquier forma, reemplácelo inmediatamente.

LONGITUD DEL CORDON DE EXTENSION

Tamaño del cable Norma AWG

Hasta 25 pies 18

AVISO: No se recomienda utilizar cordones de extensión de más de 25 pies de largo.

ADVERTENCIA: Esta máquina debe ser puesta a tierra. Para evitar el riesgo de electrocución o incendio, toda reparación del sistema eléctrico debe ser realizada sólo por un electricista calificado, usando partes de repuesto genuinas.

OPERACION

La Sierra de Banda de Banco de 10 Craftsman cuenta con un bastidor construido con acero soldado y una superficie de mesa de hierro fundido para garantizar su durabilidad. Está diseñada para cortar maderas duras y suaves. La sierra está equipada con una guía de ingletes para realizar diferentes operaciones. Su práctico mecanismo de tensión rápida y alineación total aligera y facilita el cambio de las hojas. La sierra también incluye un reborde para aserrar a lo largo y un orificio de recolección de polvo.

ESPECIFICACIONES

Profundidad de la garganta a 90°	9 ⁵ / ₈ "
Profundidad de corte máxima a 90°	4 ⁵ / ₈ "
Profundidad de corte máxima a 45°	2 ³ / ₄ "
Tamaño de la mesa	12 ¹ / ₂ x 13 ³ / ₄ "
Inclinación de la mesa	0° a 45°
Diámetro de la rueda	10"
Longitud de la hoja70 ¹ / ₂ "
Ancho de la hoja1 ¹ / ₈ - 1 ¹ / ₂ "
Velocidad de la hoja	2780 PPM
Dimensiones generales21 x 14 x 34"
Peso	66 lb
Peso de embarque	73 lb
Orificio colector de polvo	2 ¹ / ₂ "

PRECAUCIONES DE SEGURIDAD

ADVERTENCIA: Tenga siempre en cuenta las siguientes precauciones.

- Cuando ajuste o reemplace partes de la sierra de banda, siempre apague la unidad y desconecte el enchufe de la fuente de alimentación.
- Asegúrese que las guías de la hoja estén situadas correctamente.
- Utilice la hoja adecuada para la pieza que se va a cortar.
- Utilice una hoja afilada. Cambie las hojas gastadas o aquellas que les falten dientes.
- Asegúrese que la hoja tenga la tensión adecuada y avance en la dirección correcta.
- Utilice la velocidad adecuada de hoja para el trabajo que esté realizando.
- A fin de lograr un óptimo rendimiento, no detenga el motor ni reduzca su velocidad. Use la presión adecuada de alimentación.
- Fije la pieza de trabajo en una posición estable.
- Compruebe que todos los protectores estén instalados.
- Después de encender la unidad, espere hasta que la hoja llegue a su velocidad máxima.
- Mantenga las manos alejadas de la hoja y de todas las partes móviles.
- Siempre use protección para los ojos o para la cara.
- Siempre detenga la sierra de banda antes de retirar toda pieza residual de la mesa.
- Nunca intente aserrar una pieza que no tenga una superficie plana, a menos que se utilice un soporte adecuado.
- Siempre sujete firmemente el material y alimente éste en la hoja a velocidad moderada.
- Siempre apague la máquina si se va a retirar el material de la hoja después de un corte incompleto.

- Asegúrese que la tensión de la hoja y la alineación de la hoja estén debidamente ajustadas.
- Haga cortes de "alivio" antes de cortar curvas largas.
- Destense la hoja cuando no se vaya a utilizar la sierra por un lapso de tiempo prolongado.

INTERRUPTOR DE ENCENDIDO/APAGADO (ON/OFF)

Consulte la Figura 14.

ADVERTENCIA: Antes de encender la sierra, verifique que no le falten partes ni tenga partes que no funcionen correctamente o estén dañadas o rotas, tales como el interruptor del motor u otro control de funcionamiento, un dispositivo de seguridad o el cordón de alimentación. Si es así, apague la sierra y desenchúfela hasta que la pieza en cuestión sea reparada o reemplazada correctamente.

El interruptor de Encendido/Apagado se halla en la parte delantera izquierda de la columna de la sierra. Para encender la sierra, lleve el interruptor a la posición superior. Para apagar la sierra, lleve el interruptor a la posición inferior.

Se puede trabar el interruptor para impedir el uso no autorizado de la sierra. Para trabar el interruptor:

- Ponga el interruptor en la posición OFF (apagado) y desconecte la sierra de la fuente de alimentación.
- Extraiga la llave. El interruptor no se puede cerrar sin la llave.

AVISO: Si se extrae la llave con el interruptor en la posición ON (encendido), se puede llevar a la posición OFF (apagado) pero no a la de encendido nuevamente.

- Para volver a insertar la llave, deslice e inserte ésta en la ranura del interruptor hasta que enganche.

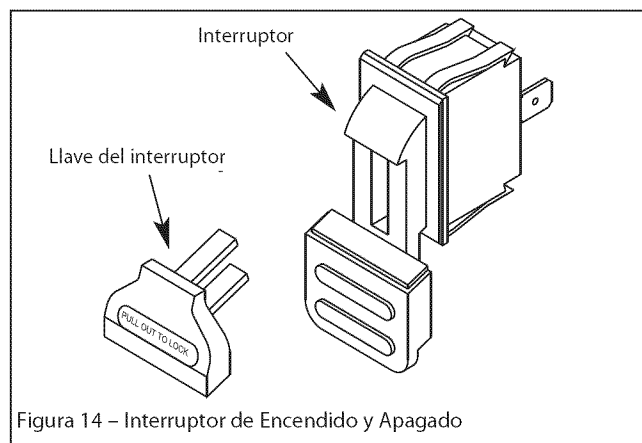


Figura 14 – Interruptor de Encendido y Apagado

AJUSTES

La alineación, tensión y las guías de la hoja han sido ajustadas correctamente en la fábrica. Sin embargo, los ajustes podrían cambiar durante el transporte de la unidad.

Se recomienda verificar estos ajustes antes de usar la sierra.

CAMBIOY AJUSTE DE LA HOJA DE LA SIERRA

Esta sierra de banda viene equipada de la fábrica con una hoja de uso general para cortar madera; la hoja de la sierra se instala antes de la entrega de la unidad.

Para cambiar la hoja de la sierra, se debe seguir el siguiente procedimiento:

ADVERTENCIA: Para evitar sufrir lesiones debido a un arranque inesperado, siempre que cambie la hoja de la sierra o haga ajustes, apague la sierra de banda y desconecte el cordón de alimentación del tomacorriente principal. Para evitar sufrir lesiones en las manos cuando manipule la hoja de la sierra, utilice guantes siempre que sea necesario.

- Retire de la mesa el reborde para aserrar a lo largo, el riel guía, la tuerca de mariposa y el tornillo.
- Gire las manillas de fijación de las puertas superior e inferior para abrir las puertas.
- Gire hacia la izquierda la manilla de tensión de la hoja en la parte superior del alojamiento de la rueda superior para aflojar la tensión de la hoja hasta que la hoja de la sierra se haya destensado (visto desde arriba). Véase la Figura 15.

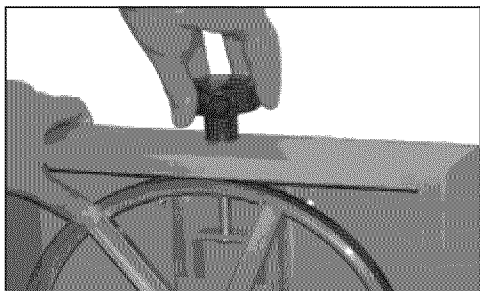


Figura 15 – Manilla de Tensión de la Hoja

- Desmonte la hoja de la sierra de las ruedas superior e inferior.
- Cuando monte la nueva hoja de la sierra, asegúrese que los dientes de la hoja estén orientados hacia abajo y hacia usted en la posición donde la hoja de la sierra pasa a través de la mesa.
- Vuelva a tensar la nueva hoja de la sierra y revise la alineación de la hoja, girando manualmente la rueda superior. La hoja de la sierra deberá avanzar montada en el centro de las ruedas de la sierra de banda.
- Si es necesario, ajuste la alineación de la hoja de la sierra; para esto, siga los procedimientos de ALINEACION DE LA HOJA DE LA SIERRA.
- Vuelva a instalar en la mesa el reborde para aserrar a lo largo, el riel guía, la tuerca de mariposa y el tornillo.
- Gire las manillas de fijación de las puertas superior e inferior para cerrar las puertas antes de reconectar la fuente de alimentación.

ALINEACION DE LA HOJA DE LA SIERRA

Ajuste la alineación de la hoja de la sierra antes de ajustar las guías de la hoja.

Después de instalar y tensar la hoja de la sierra, ajuste manualmente la manilla de alineación para alinear la hoja de la sierra (véase la Figura 16). La hoja de la sierra deberá avanzar montada en el centro de las ruedas de la sierra de banda. Cuando logre el ajuste correcto, fije la manilla de alineación con la manilla de fijación.

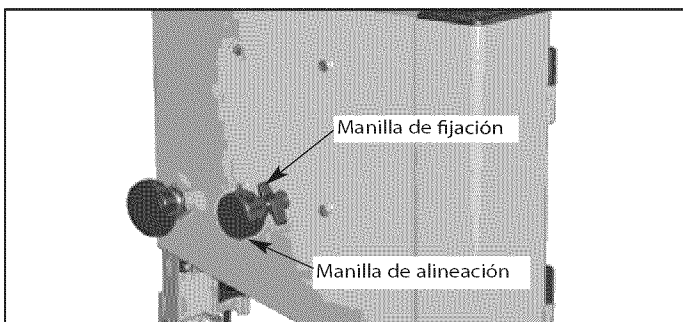


Figura 16 – Ajuste la Alineación de la Hoja de la Sierra

AJUSTE DE LA ALTURA DE CORTE

- La guía superior de la hoja debe colocarse lo más cerca posible contra la pieza de trabajo.
- Para ajustar esta altura, afloje la manilla de fijación al lado del alojamiento de la rueda superior (véase la Figura 17).

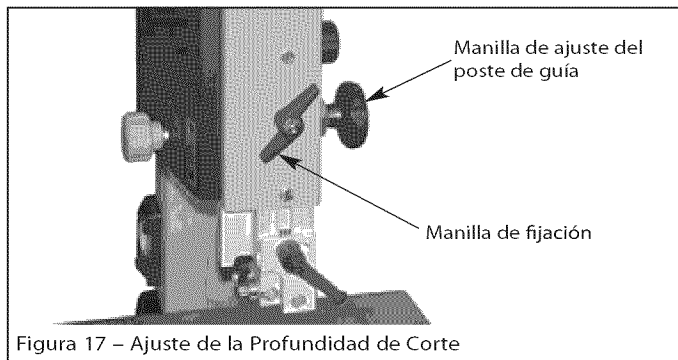


Figura 17 – Ajuste de la Profundidad de Corte

- Gire la manilla de ajuste del poste de guía para ajustar la guía de la hoja a la altura necesaria.
- Apriete la manilla de fijación después de hacer el ajuste.

AJUSTE DE LAS GUIAS DE LA HOJA

GUIA SUPERIOR DE LA HOJA

Véase la Figura 18.

- Para ajustar las guías superiores de la hoja, primero sitúe las guías derecha e izquierda de rodillo con respecto a la hoja (Figura 18) mediante el aflojamiento de la manivela de trinquete y el movimiento del portaguías hasta que ambas guías de rodillo estén a aproximadamente $\frac{1}{16}$ " detrás de los espacios entre los dientes de la hoja de la sierra.
- Afloje el tornillo de ajuste de la guía (A) en cada lado de la hoja de la sierra para ajustar las dos guías de rodillo a no más de $\frac{1}{32}$ " de la hoja de la sierra. No coloque las guías de rodillo demasiado cerca, porque eso afectará adversamente la vida útil de la hoja de la sierra.
- Desbloquee el tornillo de ajuste de la guía (B) para ajustar la guía del rodillo trasero para que quede apenas separada de la parte posterior de la hoja de la sierra.
- Cuando logre el ajuste correcto, fije la guía del rodillo trasero en posición con el tornillo de ajuste de la guía (B).

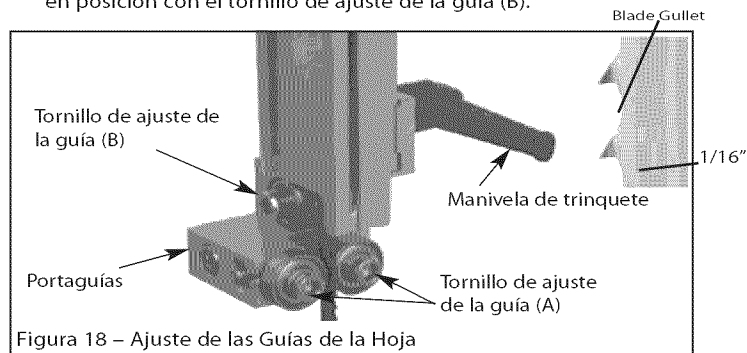


Figura 18 – Ajuste de las Guías de la Hoja

GUIA INFERIOR DE LA HOJA

Consulte la Figura 19, en la página 23.

- Para ajustar las guías inferiores de la hoja, primero sitúe las guías derecha e izquierda de rodillo con respecto a la hoja, mediante el aflojamiento de la tuerca de fijación y el movimiento del portaguías hasta que ambas guías de rodillo estén a aproximadamente $\frac{1}{16}$ " detrás de los espacios entre los dientes de la hoja de la sierra.

- Afloje el tornillo de ajuste de la guía (C) en cada lado de la hoja de la sierra para ajustar las dos guías de rodillo a no más de $\frac{1}{32}$ de la hoja de la sierra. No coloque las guías de rodillo demasiado cerca, porque eso afectará adversamente la vida útil de la hoja de la sierra.
- Desbloquee el tornillo de ajuste de la guía (D) para ajustar la guía del rodillo trasero para que quede apenas separada de la parte posterior de la hoja de la sierra.
- Cuando logre el ajuste correcto, fije la guía del rodillo trasero en posición con el tornillo de ajuste de la guía (D).

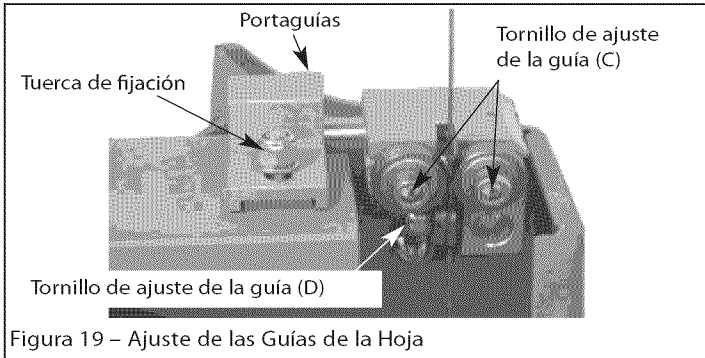


Figura 19 – Ajuste de las Guías de la Hoja

INCLINACION DE LA MESA

La mesa se inclina de 0 a 45 grados para hacer cortes biselados.

- Para inclinar la mesa, afloje la manilla en el muñón de la mesa, ajuste la mesa al ángulo necesario y apriete nuevamente la manilla (véase la Figura 20).
- Se recomienda verificar el ajuste de ángulo correcto con una guía de ángulos, o haciendo cortes de prueba en piezas de madera de desecho. Ajuste el indicador según corresponda usando un destornillador de cabeza Phillips.

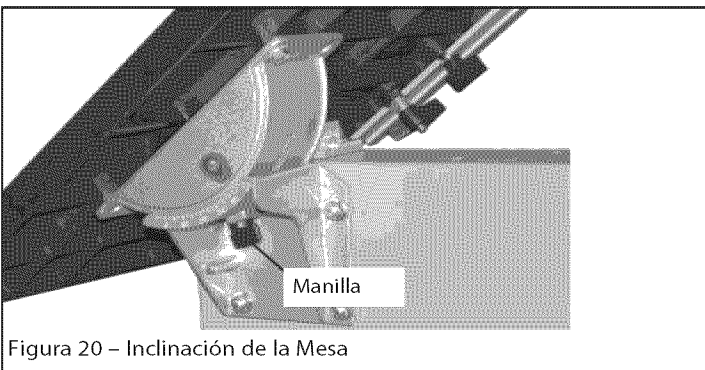


Figura 20 – Inclinación de la Mesa

AJUSTE DEL REBORDE PARA ASERRAR A LO LARGO

La presión de fijación del reborde para aserrar a lo largo se ha dispuesto en la fábrica; si es necesario hacer un ajuste, proceda de la siguiente manera:

- Levante la manivela del reborde a la posición horizontal.
- Gire la manivela del reborde hacia la derecha para aumentar la presión de sujeción, y hacia la izquierda para reducirla (véase la Figura 21).
- Después de girar la manivela del reborde hacia la izquierda, deslice el reborde para aserrar a lo largo a la posición deseada en el riel de guía (véase la Figura 21).
- La manivela del reborde tiene una acción de leva, empuje la manivela hacia abajo para fijar firmemente el reborde para aserrar a lo largo después de ajustarlo a la posición deseada.

AVISO: No ajuste la manivela del reborde de manera que se ejerza demasiada presión durante la operación; esto podría deformar la abrazadera del extremo posterior del reborde para aserrar a lo largo. Ajuste la manivela del reborde para que ésta ejerza sólo la presión necesaria para fijar la posición del reborde durante las operaciones de corte.

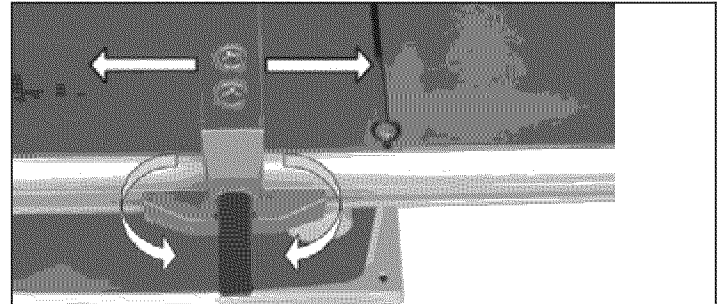


Figura 21 – Ajuste del Reborde para Aserrar a lo Largo

SELECCION DE LA HOJA

- Las hojas varían según el tipo de material, tamaño de la pieza de trabajo y tipo de corte que se vaya a realizar.
- Las características que diferencian a las hojas son el ancho, el espesor y el paso.

ANCHO DE LA HOJA

- El ancho de la hoja es la distancia desde la punta del diente hasta la parte posterior de la hoja.
- El ancho de la hoja afecta su rigidez. Una hoja más ancha se desvía menos y produce un corte más recto.
- El ancho de la hoja también limita el radio más pequeño que se puede cortar. Una hoja de $\frac{1}{4}$ de ancho puede cortar alrededor de $\frac{1}{2}$ de radio.

ESPESOR DE LA HOJA

- El espesor de la hoja es la distancia entre sus lados. Mientras mayor es su espesor, mayor es su rigidez y más fuertes sus dientes.
- Una hoja angosta y de mayor espesor se usa para cortar curvas mientras que una hoja ancha y de menor espesor se usa para hacer cortes largos y rectos.

PASO DE LA HOJA

- El paso es el número de dientes por pulgada o el tamaño del diente. Una hoja con más dientes por pulgada produce un corte más uniforme.
- El tipo de material que se está cortando determina el número de dientes que tienen que estar en contacto con la pieza de trabajo.
- En el caso de materiales blandos, la hoja adecuada debe tener entre 6 y 8 dientes por pulgada.
- Cuando se corten materiales más duros, donde los golpes son más nocivos, se recomienda usar una hoja de 8 a 12 dientes por pulgada.
- Siempre debe haber al menos tres dientes en contacto con el corte para evitar golpear la hoja.
- La hoja se golpea cuando el paso es muy grande y el diente encuentra demasiado material. Esto puede romper los dientes de la hoja.
- Los fabricantes de hojas tienen y pueden suministrar información sobre las hojas para aplicaciones específicas.

TIPO DE CORTE

- El corte de contorno se hace guiando la pieza de trabajo a mano libre para producir formas curvas.
- El corte biselado se hace inclinando la mesa de la sierra y aplicando la técnica adecuada para guiar la pieza de trabajo.
- Independientemente de la técnica de guía de la pieza de trabajo que se esté usando, se debe usar un soporte adecuado para toda pieza que sobresalga de la mesa por más de 5".

CORTE DE CONTORNO

- Cuando realice cortes de contorno, use ambas manos para mantener la pieza de trabajo horizontal sobre la mesa y guiarla por la trayectoria deseada.
- Evite poner las manos en línea con la hoja. Si se le resbalan, pueden hacer contacto con la hoja.
- Trate de pararse hacia la parte delantera de la sierra y ponga las manos sobre la parte de la mesa que está a la derecha de la hoja y antes del corte.
- Corte las esquinas pequeñas aserrando a su alrededor. Corte con la sierra para eliminar el material residual hasta que logre la forma deseada.

CORTE BISELADO

Consulte la Figura 23.

- Realice el corte biselado inclinando la mesa al grado deseado.
- Desbloquee la mesa, aflojando la manilla de fijación que está ubicada en la parte posterior de la unidad (Ref. No. 68).
- Incline la mesa a la posición deseada.
- Fije la mesa en posición apretando la manilla de fijación.

GUIA DE INGLETES

- Use la guía de ingletes para fijar y sujetar la pieza de trabajo en el ángulo deseado y producir así cortes en ángulo. Use la escala para ajustar la guía en el ángulo deseado.

ADVERTENCIA: Nunca use simultáneamente la guía de ingletes y el reborde para serrar a lo largo. La hoja se puede atascar en la pieza de trabajo.

El operador puede lesionarse y/o la pieza de trabajo se puede dañar.

ESCOBILLA PARA LIMPIAR LA HOJA

Consulte la Figura 23.

- Asegúrese que la escobilla (Clave No. 150) haga contacto con la hoja para eliminar adecuadamente todas las partículas extrañas de la rueda impulsora.

MANTENIMIENTO

Consulte la Figura 23 en la página 12.

Los pasos necesarios para mantener la sierra en condiciones óptimas de funcionamiento se describen en la sección Instrucciones de Operación. Será necesario tomar las precauciones de seguridad antes de trabajar con la sierra.

Para un mantenimiento adecuado:

- Mantenga la sierra limpia y seca. Limpie donde se hayan acumulado virutas o aserrín.
- Lubrique las superficies no pintadas con una aplicación ligera de aceite de máquina de mediana viscosidad para evitar la corrosión posterior a la limpieza.
- Reemplace las hojas gastadas y las que hayan perdido dientes. Una sierra limpia con una hoja afilada producirá el mejor corte.
- Las partes internas de la sierra de banda vienen de la fábrica totalmente aceitadas y no requieren ser lubricadas nuevamente.

ADVERTENCIA: Asegúrese que la sierra esté desconectada de la fuente de alimentación eléctrica antes de tratar de dar servicio o retirar cualquier componente.

ADVERTENCIA: Cualquier intento de reparar el motor puede constituir un peligro a menos que sea realizado por un técnico profesional.

Puede obtener servicio de reparación en el centro Sears más cercano.

CAMBIO DE LA CORREA DE PROPULSION

- Gire hacia la izquierda la manilla de tensión de la hoja en la parte superior de la sierra de banda para destensar la hoja.
- Suelte el tornillo de casquete de cabeza hueca hexagonal en la pestaña de montaje del motor usando una llave "L" hexagonal M6 (no suministrada). Véase la Figura 22.

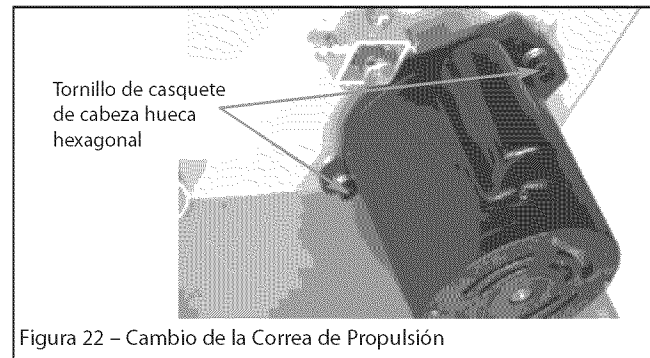


Figura 22 – Cambio de la Correa de Propulsión

- Con alicates para anillas (C-clip) (no suministrado), retire el anillo de retención del centro de la rueda inferior.
- Deslice cuidadosamente la rueda inferior hacia delante y a la vez retire la hoja de la sierra de esta rueda.
- Retire la correa de propulsión vieja e instale la correa nueva (asegúrese que las costillas de la correa de propulsión estén asentadas correctamente antes de volver a instalar y tensar la correa de propulsión).
- Siga los procedimientos de CAMBIO Y AJUSTE DE LA HOJA DE LA SIERRA y de ALINEACION DE LA HOJA DE LA SIERRA, antes de restablecer la alimentación eléctrica para la sierra de banda y configurar la sierra para usarla.

IDENTIFICACION DE PROBLEMAS

SINTOMA	CAUSAS(S) POSIBLE(S)	MEDIDA CORRECTIVA
La máquina no funciona cuando se enciende.	<ol style="list-style-type: none"> 1. No hay suministro eléctrico. 2. Interruptor defectuoso. 3. Motor defectuoso. 	<ol style="list-style-type: none"> 1. Revise el cable para ver si está roto. 2. Reemplace el interruptor bloqueable. 3. Reemplace el motor.
La hoja de la sierra no se mueve cuando el motor está funcionando.	<ol style="list-style-type: none"> 1. No se ha apretado la manilla de tensión de la hoja. 2. La hoja se ha salido de una de las ruedas. 3. La hoja de la sierra se ha roto. 4. La correa de propulsión se ha roto. 	<ol style="list-style-type: none"> 1. Apague el motor y apriete la manilla de tensión de la hoja. 2. Abra las puertas y revise. 3. Reemplace la hoja. 4. Reemplace la correa.
La hoja de la sierra no corta en línea recta.	<ol style="list-style-type: none"> 1. No se está utilizando un reborde para aserrar a lo largo. 2. La velocidad de alimentación es demasiado alta. 3. Los dientes de la hoja están desgastados o dañados. 4. Las guías de la hoja no están ajustadas adecuadamente. 	<ol style="list-style-type: none"> 1. Utilice un reborde para aserrar a lo largo. 2. Aplique una presión ligera en la pieza de trabajo. Asegúrese que la hoja de la sierra no se doble. 3. Utilice una hoja de sierra nueva. 4. Ajuste las guías de la hoja (véase las instrucciones en la sección OPERACION).
La hoja de la sierra no corta, o corta muy lentamente.	<ol style="list-style-type: none"> 1. Los dientes están desgastados, debido al corte de materiales duros o el largo uso de la hoja. 2. Se instaló incorrectamente la hoja de la sierra en la sierra de banda. 	<ol style="list-style-type: none"> 1. Reemplace la hoja de la sierra; utilice una hoja de sierra de 6 DPP (dientes por pulgada) para cortar madera y materiales suaves. Utilice una hoja de sierra de 14 DPP (dientes por pulgada) para cortar materiales más duros. La hoja de sierra de 14 DPP (dientes por pulgada) siempre corta más lentamente debido a los dientes más finos y al rendimiento de corte más lento. 2. Instale correctamente la hoja de la sierra.
El aserrín se acumula en el interior de la máquina.	Esto es normal.	Limpie regularmente la máquina. Abra las puertas y extraiga el aserrín con una aspiradora.
Hay aserrín en el interior del alojamiento del motor.	Esto es normal.	Limpie las ranuras de ventilación del motor con una aspiradora. De vez en cuando limpie el aserrín para evitar que sea aspirado y se acumule en el interior del alojamiento.
La máquina no corta a 45 ó 90 grados.	<ol style="list-style-type: none"> 1. La mesa no está a 90 grados con la hoja. 2. La hoja de la sierra está desgastada o se aplicó demasiada presión en la pieza de trabajo. 	<ol style="list-style-type: none"> 1. Ajuste la mesa. 2. Reemplace la hoja de la sierra o aplique menos presión en la pieza de trabajo.
No se puede situar correctamente la hoja de la sierra en las ruedas.	<ol style="list-style-type: none"> 1. Las ruedas no están alineadas o hay un cojinete defectuoso. 2. No se ha ajustado correctamente la manilla de alineación de la hoja. 3. La hoja de la sierra es inferior. 	<ol style="list-style-type: none"> 1. Reemplace el cojinete. 2. Ajuste la manilla de alineación de la hoja (véase las instrucciones en la sección OPERACION). 3. Reemplace la hoja de la sierra.

NOTAS

NOTAS

Get it fixed, at your home or ours!

Your Home

For troubleshooting, product manuals and expert advice:



www.managemylife.com

For repair – **in your home** – of **all** major brand appliances, lawn and garden equipment, or heating and cooling systems, **no matter who made it, no matter who sold it!**

For the replacement parts, accessories and owner's manuals that you need to do-it-yourself.

For Sears professional installation of home appliances and items like garage door openers and water heaters.

1-800-4-MY-HOME[®] (1-800-469-4663)

Call anytime, day or night (U.S.A. and Canada)

www.sears.com www.sears.ca

Our Home

For repair of carry-in items like vacuums, lawn equipment, and electronics, call anytime for the location of your nearest

Sears Parts & Repair Service Center

1-800-488-1222 (U.S.A.)

www.sears.com

1-800-469-4663 (Canada)

www.sears.ca

To purchase a protection agreement on a product serviced by Sears:

1-800-827-6655 (U.S.A.)

1-800-361-6665 (Canada)

Para pedir servicio de reparación a domicilio, y para ordenar piezas:

1-888-SU-HOGAR[®]

(1-888-784-6427)

www.sears.com

Au Canada pour service en français:

1-800-LE-FOYER^{MC}

(1-800-533-6937)

www.sears.ca

The Sears logo, consisting of the word "sears" in a lowercase, serif font.

® Registered Trademark / TM Trademark of KCD IP, LLC in the United States, or Sears Brands, LLC in other countries

® Marca Registrada / TM Marca de Fábrica de KCD IP, LLC en Estados Unidos, o Sears Brands, LLC in otros países

^{MC} Marque de commerce / ^{MD} Marque déposée de Sears Brands, LLC