

Use and Care Guide



Table of Contents (complete)	2
A Note to You	2
Refrigerator Safety	3
Parts and Features	4
Using Your Refrigerator	5
Caring for Your Refrigerator	19
Food Storage Guide	21
Troubleshooting	23
Requesting Assistance or Service	24
Warranty	26

KITCHENAID* 36" TO 48" NO-FROST BUILT-IN REFRIGERATORS

Table of Contents

	Page		Page
A Note to You	2	Adjusting the freezer shelves	11
Refrigerator Safety	3	Removing the pull-out freezer baskets	11
Parts and Features	4	Using the automatic ice maker	12
Using Your Refrigerator	5	Removing the ice maker storage bin	13
Removing the upper ventilation panel	5	Using the cold water and ice dispensers	14
Using the power on/off switch (power interrupter switch)	5	Removing the base grille	16
Using the EXTENDFRESH* Temperature Management System	6	Removing the defrost pan	16
Setting the FRESHCHILL* meat locker temperature control	7	Changing the light bulbs	17
Adjusting the utility compartment	7	Understanding the sounds you may hear	18
Adjusting the door bins	8	Saving energy	18
Adjusting the SPILLCLEAN* glass refrigerator shelves	8	Caring for Your Refrigerator	19
Removing the FRESHCHILL* meat locker	9	Food Storage Guide	21
Removing the humidity-controlled CLEARVUE* crispers	10	Troubleshooting	23
		Requesting Assistance or Service	24
		Warranty	26

A Note to You

Thank you for buying a KITCHENAID* appliance!

KitchenAid designs the best tools for the most important room in your house. To ensure that you enjoy many years of trouble-free operation, we developed this Use and Care Guide. It contains valuable information concerning how to operate and maintain your new appliance properly and safely. Please read it carefully.

Also, please complete and mail the enclosed Product Registration Card.

Please record your model's information.

Whenever you call to request service on your appliance, you need to know your complete model number and serial number. You can find this information on the model and serial number label (see diagram on page 4 for location of label).

Please also record the purchase date of your appliance and your dealer's name, address, and telephone number.

Model Number _____
Serial Number _____
Purchase Date _____
Dealer Name _____
Dealer Address _____
Dealer Phone _____

Keep this book and the sales slip together in a safe place for future reference.

Refrigerator Safety

Your safety and the safety of others is very important.

We have provided many important safety messages in this manual and on your appliance. Always read and obey all safety messages.



This is the safety alert symbol.

This symbol alerts you to hazards that can kill or hurt you and others.

All safety messages will be preceded by the safety alert symbol and the word "DANGER" or "WARNING." These words mean:

⚠ DANGER

You will be killed or seriously injured if you don't follow instructions.

⚠ WARNING

You can be killed or seriously injured if you don't follow instructions.

All safety messages will identify the hazard, tell you how to reduce the chance of injury, and tell you what can happen if the instructions are not followed.

IMPORTANT SAFETY INSTRUCTIONS

WARNING – To reduce the risk of fire, electric shock, or injury when using your refrigerator, follow these basic precautions:

- Plug into grounded 3 prong outlet.
- Do not remove ground prong.
- Do not use an adapter.
- Do not use an extension cord.
- Disconnect power before servicing.
- Remove doors from your old refrigerator.
- Use nonflammable cleaner only.
- Keep flammable materials and vapors, such as gasoline, away from refrigerator.
- Use two or more people to move or install refrigerator.
- Unplug refrigerator before installing ice maker.
- Use a sturdy glass when dispensing ice or water (on some models).

– SAVE THESE INSTRUCTIONS –

Proper disposal of your old refrigerator

⚠ WARNING

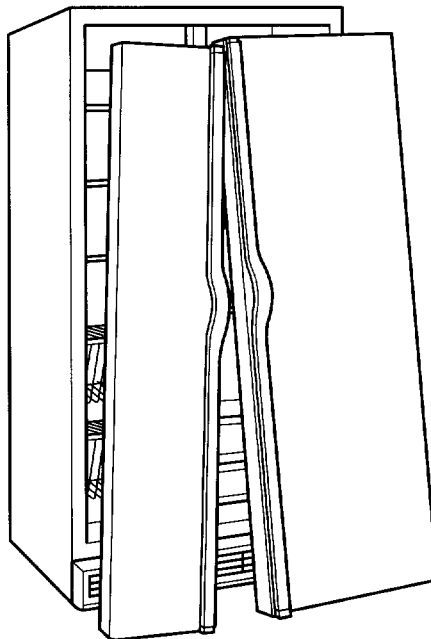
Suffocation Hazard

**Remove doors from your old refrigerator.
Failure to do so can result in death or brain damage.**

IMPORTANT: Child entrapment and suffocation are not problems of the past. Junked or abandoned refrigerators are still dangerous ... even if they will sit for "just a few days." If you are getting rid of your old refrigerator, please follow the instructions below to help prevent accidents.

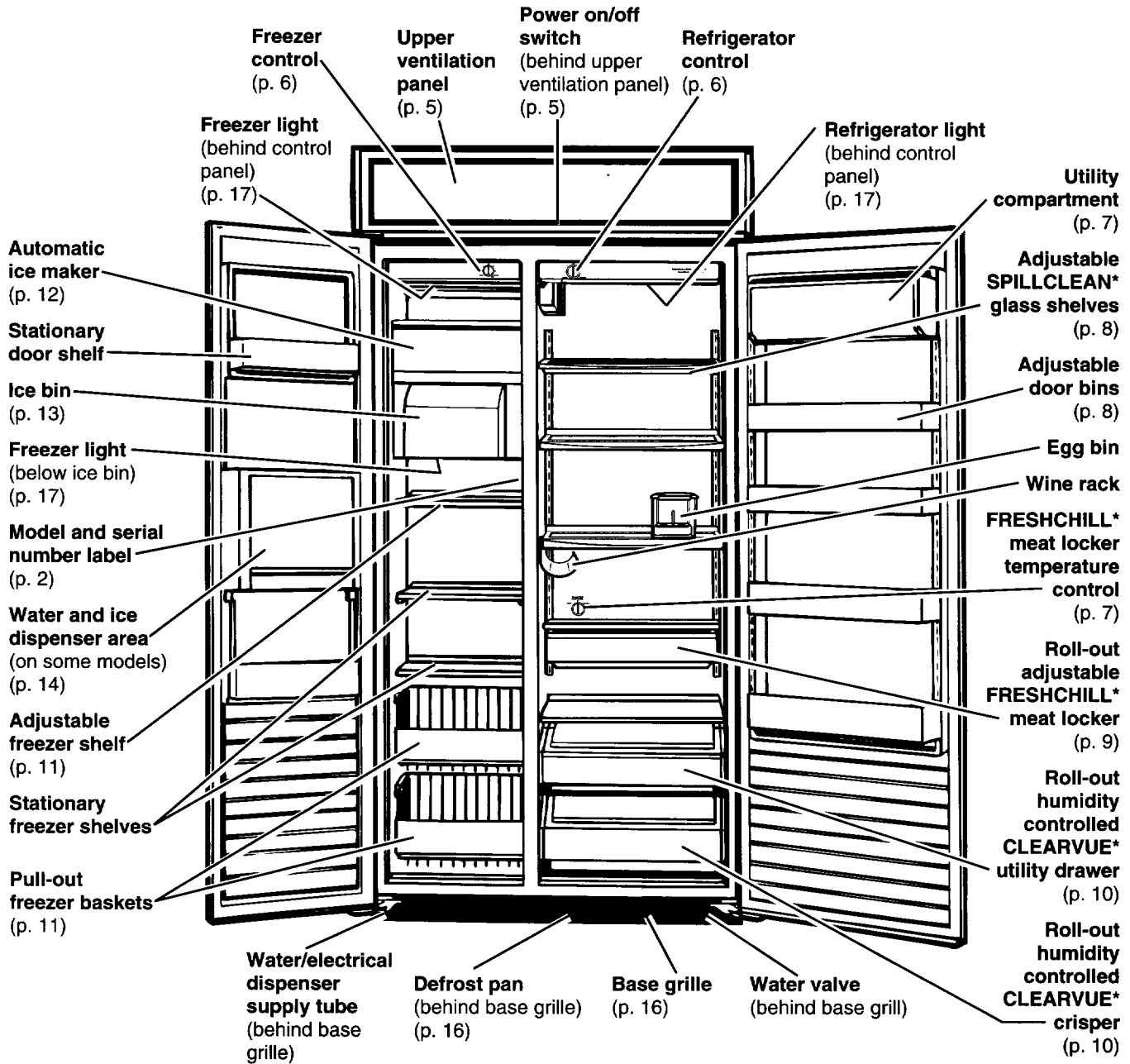
BEFORE YOU THROW AWAY YOUR OLD REFRIGERATOR OR FREEZER:

- Take off the doors.
- Leave the shelves in place so that children may not easily climb inside.




Parts and Features


Below are illustrations of your appliance with the parts and features called out. To help you find information on specific parts or features faster, page references are included.



Using Your Refrigerator

To obtain the best possible results from your refrigerator, it is important that you operate it properly. This section tells you how to set the temperature controls, remove and adjust some of the features in your refrigerator, and how to save energy.

⚠ WARNING

Electrical Shock Hazard
Plug into a grounded 3 prong outlet. Do not remove ground prong. Do not use an adapter. Do not use an extension cord. Failure to follow these instructions can result in death, fire, or electrical shock.

⚠ WARNING

Explosion Hazard
Keep flammable materials and vapors, such as gasoline, away from refrigerator. Failure to do so can result in death, explosion, or fire.

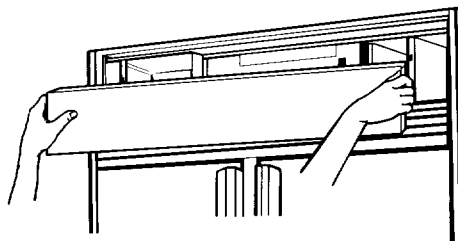
Removing the upper ventilation panel

To remove:

1. Grasp both ends of the panel.
2. Push straight up, then pull straight out.

To replace:

1. Insert hooks (located on back of ventilation panel) into bracket slots.
2. Pull panel down slightly to lock into place.



Using the power on/off switch (power interrupter switch)

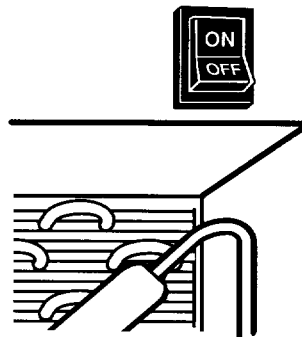
The power on/off switch is located behind the upper ventilation panel. It is used to turn the power to the refrigerator off when cleaning it or changing light bulbs.

To turn power off:

1. Remove upper ventilation panel.
2. Press power on/off switch to the OFF position.

To turn power on:

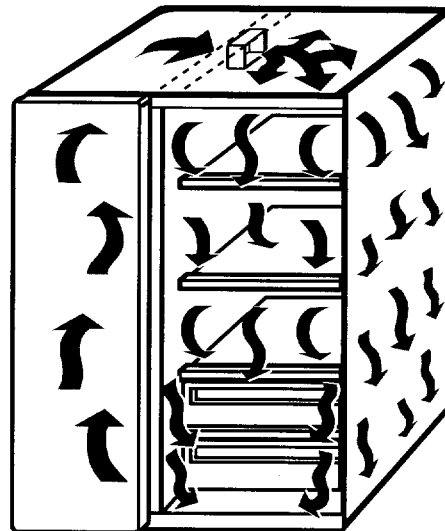
1. Press power on/off switch to the ON position.
2. Replace upper ventilation panel.



IMPORTANT: Be sure the power on/off switch is in the ON position after cleaning refrigerator or changing light bulbs.

Using the EXTENDFRESH* Temperature Management System

The EXTENDFRESH Temperature Management System controls the temperature in both the refrigerator compartment and the freezer compartment independently. The system helps extend the freshness of the food in your refrigerator by responding to temperature changes as small as 1.5°F. Unlike most refrigerators on the market today, the EXTENDFRESH System uses a “SmartFan” to transfer cold air immediately from the freezer to the refrigerator for faster response to temperature changes without the need for the compressor to turn on. Also, the system maintains consistent temperatures, which are not affected by external temperature changes such as seasonal changes and programmable home thermostats or even the temperature of other compartments inside the refrigerator.



Example of SmartFan airflow pattern

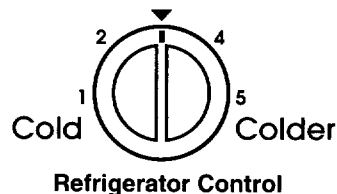
Setting the temperature controls

The Refrigerator and the Freezer Controls have been preset at the factory. These settings should be correct for normal household refrigerator use. Allow the refrigerator to reach the preset temperature (approximately 24 hours) before changing the settings.

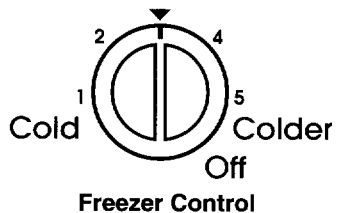
To change a temperature setting:

1. Adjust the Refrigerator and/or Freezer Control.
 - To make the selected control colder, turn the knob clockwise.
 - To make the selected control less cold, turn the knob counterclockwise.
2. Wait at least 24 hours before making further adjustments. This allows the refrigerator and/or freezer to reach the new temperature setting.

IMPORTANT: The **Off** setting on the Freezer Control stops all cooling action in the refrigerator, but it does not disconnect the refrigerator from the power supply.



Refrigerator Control



Freezer Control

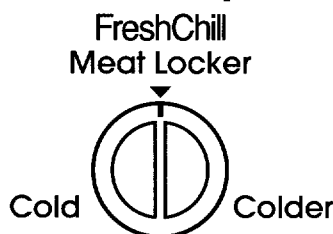
Setting the FRESHCHILL* meat locker temperature control

The FRESHCHILL Meat Locker Temperature Control allows you to adjust the storage temperature of the FRESHCHILL meat locker.

Cold air flows into the meat locker through an air duct between the freezer and the refrigerator. Setting the control allows more or less cold air through the air duct. Set the control to “cold” to close the air duct. See page 9 for more information on the FRESHCHILL meat locker.

IMPORTANT: Occasionally, a food item may freeze in the FRESHCHILL meat locker, utility drawer, or crisper. When this occurs, turn the FRESHCHILL Meat Locker Temperature Control toward cold.

Also, if the water dispenser stops working, it may be due to freezing of the water line leading to the dispenser. If this happens, turn the FRESHCHILL Meat Locker Temperature Control toward cold.



Adjusting the utility compartment

(models KSSS36Q, KSSS36M, KSSS42Q, KSSS42M, KSSP36Q, KSSP36M, KSSP42Q, and KSSP42M)

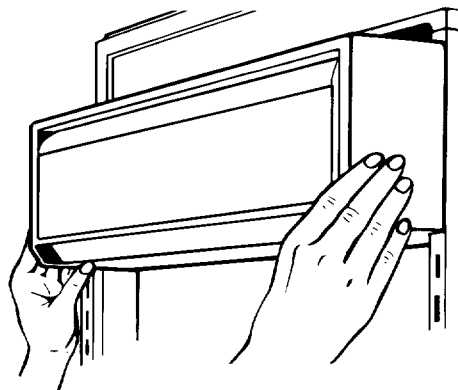
The utility compartment can be placed in any position on the refrigerator door.

To remove:

1. Grasp both ends of compartment.
2. Lift compartment up and pull out.

To replace:

1. Insert compartment hooks into ladder slots on both sides of refrigerator door.
2. Push compartment down to lock into place.



Using Your Refrigerator

Adjusting the door bins

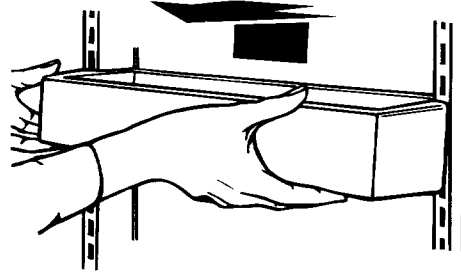
Door bins hold two-liter bottles and can be placed in any position on the refrigerator door.

To remove:

1. Grasp door bin.
2. Lift door bin up and pull out.

To replace:

1. Insert door bin hooks into ladder slots on both sides of refrigerator door.
2. Push door bin down to lock into place.



Adjusting the SPILLCLEAN* glass refrigerator shelves

Adjust the shelves to match the way you use your refrigerator.

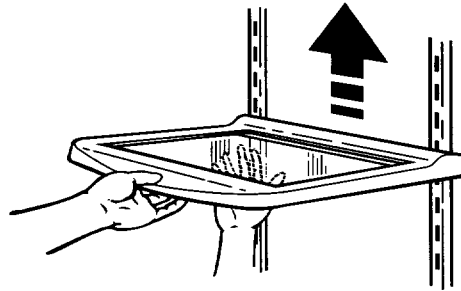
To remove shelves:

1. Tilt shelf up at front.
2. Lift shelf up at back.
3. Pull shelf straight out.

IMPORTANT: Glass shelves are heavy. Handle with care.

To replace shelves:

1. Guide the rear hooks of shelf into slots in the shelf supports.
2. Tilt shelf up at front until hooks drop into slots. Lower front of shelf to level position.
3. Check the stability of the shelf to be sure hooks have been inserted properly.



Removing the FRESHCHILL* meat locker

The FRESHCHILL Meat Locker is designed to provide colder storage temperatures than the average refrigerator temperature. The Meat Locker can be located in any set of ladder slots. **For temperature controlled use, however, the Meat Locker must be located in the second to last (bottom) set of ladder slots.**

The FRESHCHILL Meat Locker can be removed for cleaning.

IMPORTANT: Occasionally, a food item may freeze in the FRESHCHILL meat locker, utility drawer, or crisper. When this occurs, turn the FRESHCHILL Meat Locker Temperature Control toward Cold.

To remove:

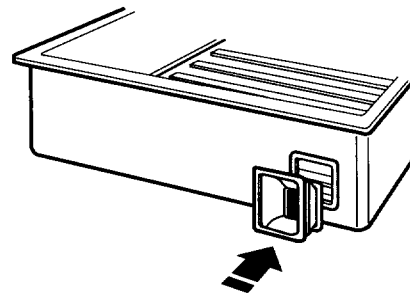
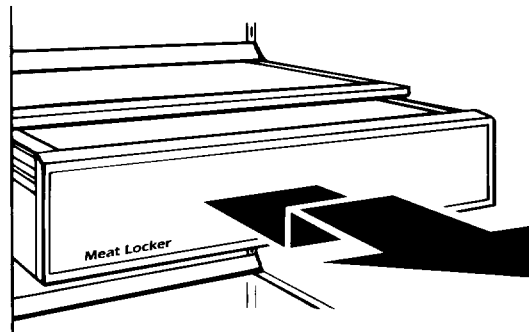
1. Roll meat locker out to the stop.
2. Lift front of meat locker slightly.
3. Pull meat locker out the rest of the way.

To replace:

1. Position meat locker rollers between front roller of track and track itself.
2. Push meat locker up and onto track.
3. Slide meat locker back until it stops.

IMPORTANT: If the meat locker is placed in any set of slots other than the second to last (bottom) set of ladder slots, plug the air supply hole. The plug has been taped to the inside bottom of the meat locker for this purpose.

The rubber air connector (located on back of meat locker) directs air from the air supply hole into the meat locker. If the air connector comes off, replace it by pushing it into the square opening on back of meat locker.



Using Your Refrigerator

Removing the humidity-controlled CLEARVUE* crispers

The humidity controls on the drawers give you the ability to change the amount of moisture in the utility drawer and/or crisper according to what food you store in it. The humidity-controlled utility drawer and the crisper are interchangeable. The CLEARVUE section allows you to see into the drawer/crisper without opening it.

IMPORTANT: Occasionally, a food item may freeze in the FRESHCHILL* meat locker, utility drawer, or crisper. When this occurs, turn the FRESHCHILL Meat Locker Temperature Control toward cold.

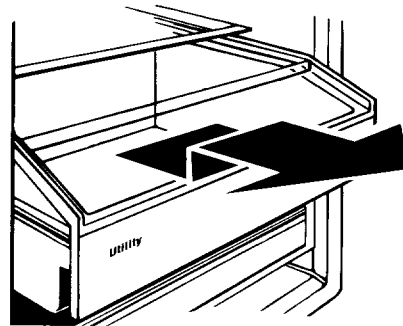
To adjust the humidity control:

- Move the lever to the right for higher humidity and best storage of fresh, leafy vegetables.
- Move the lever to the left for lower humidity and best storage of fruits and vegetables with skins.

See "Food Storage Guide" on page 21 for more information on storing foods properly.

To remove utility drawer/crisper:

1. Roll drawer out to the stop.
2. Lift front of drawer and pull out the rest of the way.
3. Replace in reverse order.

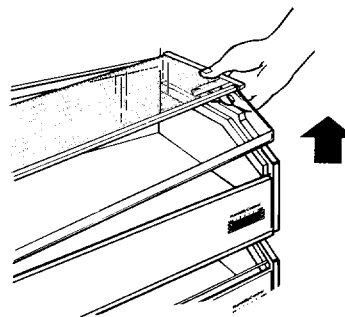


To remove glass covers:

1. Lift right side of glass cover to free retainer and left side of cover.
2. Carefully remove glass cover.

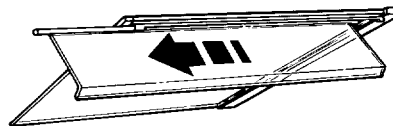
To replace glass cover:

1. Place retainer on right side of glass cover.
2. Insert left side of glass cover into groove on left side of drawer.
3. Lower cover so that the retainer pins are in the guide holes on right side of drawer.



To remove CLEARVUE section:

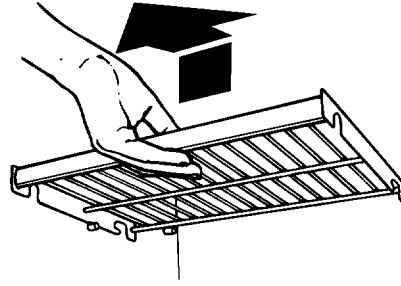
1. Remove glass cover.
2. Slide CLEARVUE section down track, away from the retainer.
3. Replace in reverse order.



Adjusting the freezer shelves

To remove:

1. Lift shelf up.
2. Pull shelf straight out.
3. Replace in reverse order.



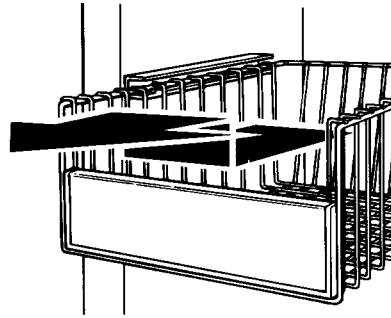
Removing the pull-out freezer baskets

To remove:

1. Pull basket out to the stop.
2. Lift basket slightly and move it to the left.
3. Pull basket out the rest of the way.

To replace:

1. Place basket in shelf tracks and move basket to the left.
2. Push basket in to the stop on the left side.
3. Lift left side of basket slightly to clear the stop.
4. Push basket in the rest of the way.



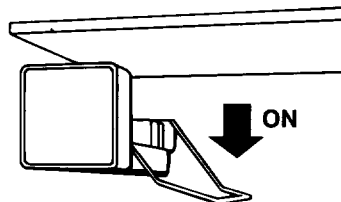
IMPORTANT: Be sure both sides of basket are in the shelf tracks before filling with food.

Using the automatic ice maker

IMPORTANT: The ice maker is shipped from the factory with the signal arm in the OFF position (up). It is recommended that the ice maker be left in the OFF position for the first 24 hours after your refrigerator is turned on. This will allow the freezer compartment and the ice maker to reach the proper temperature before making ice.

To start ice maker:

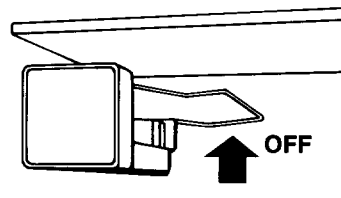
- **For dispenser models only:** Pull the ice maker covering panel out from the bottom and slide it to the rear.
- Push the ice maker signal arm down to the ON position.



To stop ice maker:

- Lift the ice maker signal arm until you feel it click into the OFF position.

IMPORTANT: The ice maker signal arm must be in the ON position (down) to produce ice. Also, the first few batches of ice from the ice maker may have an off-taste. This is from the new plumbing and parts. Please throw this ice away and allow the ice maker to make a new supply.



Solving common ice maker problems

PROBLEM	POSSIBLE CAUSE/SOLUTION
Ice crescents attached at corners	<ul style="list-style-type: none"> • This is normal. They break apart easily. Shake bin occasionally to keep cubes separated.
Ice maker will not operate or ice is not made fast enough	<ul style="list-style-type: none"> • ON/OFF lever is in the OFF (up) position. Lower lever to the ON (down) position. • Freezer is not cold enough. Adjust temperature controls and wait 24 hours. (See "Setting the temperature controls" on page 6.)
Off-taste or odor in ice	<ul style="list-style-type: none"> • New plumbing connections can cause discolored or off-flavored ice. Discard the first few batches of ice. • Cubes are stored too long. Throw them away and make a new supply. • Food is not wrapped properly. See page 22. • Freezer and ice bin need to be cleaned. See page 19. • Water may contain minerals (such as sulfur). A filter may be required to remove them.

Removing the ice maker storage bin

Depending on the model, the ice maker storage bin holds the following amounts of ice:

KSSS36 – 8.5 pounds (3.8 kg)

KSSS42 – 13.5 pounds (6.1 kg)

KSSS48 – 17.6 pounds (8.0 kg)

Remove unused ice periodically to reduce the potential for off-taste or odor buildup in ice. The storage bin can be removed for cleaning or to dispense large amounts of ice at one time.

To remove:

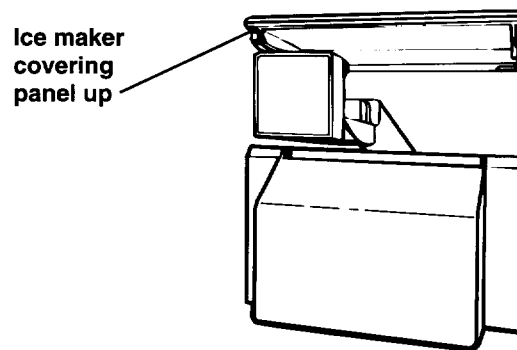
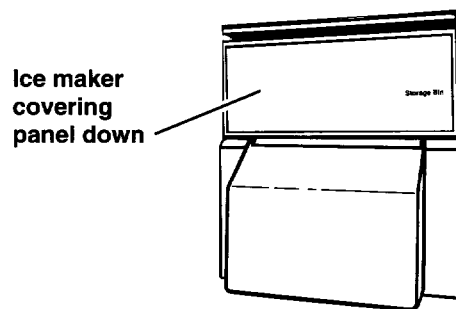
1. Pull the ice maker covering panel out from the bottom and slide it to the rear.
2. Lift the ice maker signal arm until you feel it click into the OFF position.

For dispenser models only: While the ice maker is OFF, no more ice can be produced, but ice can still be dispensed when the freezer door is closed.

3. Lift the front of the storage bin, then pull it out.
4. Empty the storage bin. Use hot or warm water to melt ice if necessary. Never use anything sharp to break up ice in the storage bin. This can damage the storage bin and the dispenser mechanism.

To replace:

1. Make sure storage bin is pushed in all the way.
2. Push the ice maker signal arm down to the ON position to restart ice production.
3. Lower the ice maker covering panel.



Using Your Refrigerator

Using the cold water and ice dispensers

(models KSSS36Q, KSSS42Q, KSSS48Q, KSSP36Q, KSSP42Q, and KSSP48Q)

The ice dispenser

Ice dispenses from ice maker storage bin in the freezer. When dispenser bar is pressed, a trapdoor opens in a chute between the dispenser and ice bin. Ice moves from the bin and falls through the chute. When dispenser bar is released, a buzzing sound may be heard for a few seconds.

Your refrigerator dispenses both cubed and crushed ice. Before dispensing ice, select which type of ice you prefer. For cubed ice, move Ice Selector Switch left to the cubed position. For crushed ice, move Ice Selector Switch right to the crushed position.

To dispense ice:

1. Move Ice Selector Switch to desired setting.
2. Press a **sturdy** glass against the ice dispenser bar. Hold glass close to dispenser opening so ice does not fall outside of glass.
3. Remove the glass to stop dispensing.

The water dispenser

IMPORTANT: If the water dispenser stops working, it may be due to freezing of the water line leading to the dispenser. If this happens, turn the FRESHCHILL* Meat Locker Temperature Control toward Cold.

Chilled water comes from a 50 oz. (1.5 L) tank behind the crisper drawers. Allow about 24 hours to chill the first tankful of water.

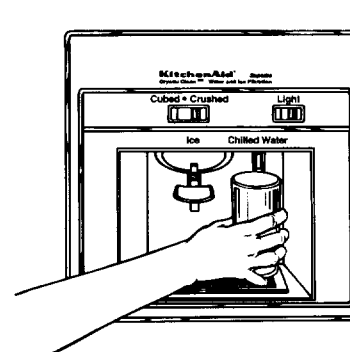
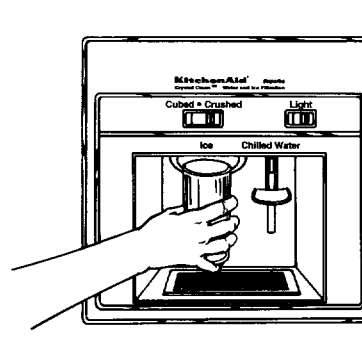
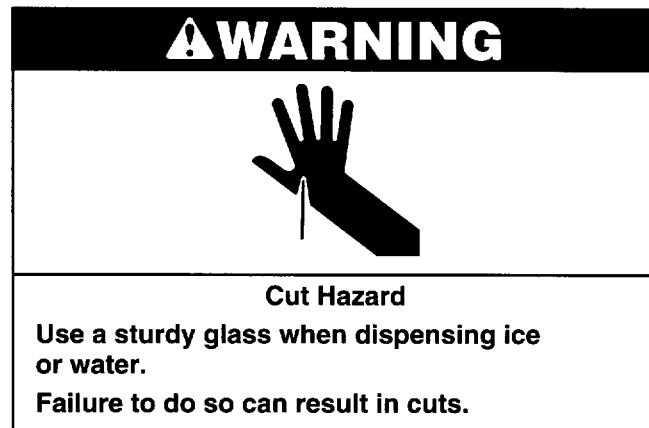
When the refrigerator is first hooked up, press the water dispenser bar until you draw and discard 2 to 3 quarts (1,9 to 2,9 L) of water. This removes air from the system and rinses the water filter, tank, and pipes.

If the dispenser is not used regularly, dispense enough water every week to freshen the supply. Allow two to three hours for a new supply of water to chill.

IMPORTANT: The small tray under the dispenser is designed to evaporate **small** spills. There is no drain in the tray. Do not pour water into it.

To dispense water:

1. Press a **sturdy** glass against the water dispenser bar.
2. Remove glass to stop dispensing.



Using Your Refrigerator

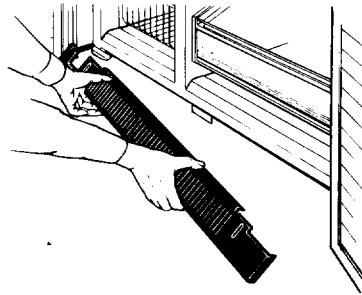
Dispenser/ice maker operating tips

PROBLEM	CAUSE	SOLUTION
Dispensers won't work	<ul style="list-style-type: none"> • Freezer door open 	<ul style="list-style-type: none"> • Close the freezer door.
Ice dispenser won't work	<ul style="list-style-type: none"> • Ice bin not properly installed • Wrong ice in bin • Dispenser not used for extended periods of time, causing ice cubes to melt together • Ice dispenser bar held in too long • Low water pressure 	<ul style="list-style-type: none"> • Make sure ice bin is pushed in all the way. • Use only crescents from ice maker. Shake ice bin occasionally to keep cubes separated and to obtain increased storage capacity. • Dump old ice and make a new supply. • Wait about three minutes for the dispenser motor to reset. • Large amounts of ice should be taken from the bin, not through the dispenser. • Call local utility company.
Off-taste or odor in ice	<ul style="list-style-type: none"> • Ice attracts airborne odors; old ice • Water quality • Foods not properly wrapped • Ice bin and freezer may need cleaning • Plumbing to ice maker • New ice maker 	<ul style="list-style-type: none"> • Dump old ice and make a new supply; store excess ice in a covered container. • For best results, avoid connecting ice maker to a softened water supply. If softened water supply cannot be avoided, make sure the water softener is well maintained and operating properly. • Wrap foods properly in air and moisture proof materials. • Clean freezer and ice bin. See "Cleaning the refrigerator" on page 19 for instructions. • Follow Installation Instructions for proper ice maker water supply hookup. • The first few batches of ice from a new ice maker may have an off-taste. Dump this ice and make a new supply.

Removing the base grille

To remove:

1. Remove one screw at each end of the base grille.
2. Remove base grille.
3. Replace in reverse order.



Removing the defrost pan

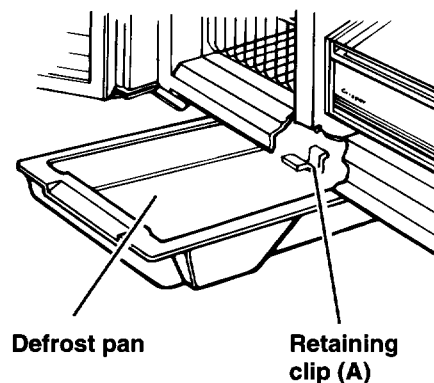
The defrost pan is located behind the base grille, toward the left side of the refrigerator.

To remove:

1. Press power on/off switch to the OFF position. (See page 5 for instructions.)
2. Remove base grille.
3. Find retaining clip (A) under refrigerator.
4. Push up on the clip and, at the same time, slide the pan forward and out.
5. Clean the pan. (See page 19 for instructions.)

To replace:

1. Position the edge of the defrost pan approximately 7 inches (17.8 cm) from the left side of the refrigerator.
2. Lift defrost pan into side guides and push back until you hear the “click” or “snap” of the retaining clip moving into place.
3. Replace the base grille.
4. Press power on/off switch to the ON position.



Changing the light bulbs

Light bulbs behind Refrigerator and Freezer Controls:

1. Disconnect power or turn off power interrupter switch.
2. Reach behind control panel.
3. Unscrew bulb and replace it with a 40-watt, incandescent, medium-base, tubular bulb.
4. Reconnect power or turn on power interrupter switch.

Light bulb below ice storage bin:

1. Disconnect power or turn off power interrupter switch.
2. Remove light cover.
3. Unscrew bulb and replace it with a 40-watt, incandescent, medium-base, tubular bulb.
4. Replace light cover.
5. Reconnect power or turn on power interrupter switch.

Light bulb in dispenser area: (dispenser models)

1. Disconnect power or turn off power interrupter switch.
2. Unscrew the bulb from the top, inside of the dispenser area.
3. Replace bulb with a heavy-duty, 10-watt bulb.
4. Reconnect power or turn on power interrupter switch.

IMPORTANT: Be sure to press power on/off switch to the ON position after changing light bulb(s).

Using Your Refrigerator

Understanding the sounds you may hear

Your new refrigerator may make different sounds than your old one. Hard surfaces, such as the ceiling, walls, and cabinets around the refrigerator, can make sounds seem louder.

The following chart describes the kinds of sounds that might be new to you and what causes them.

SOUNDS/OBSERVATIONS	CAUSES
Hum or hiss	The refrigerator's fan motor and moving air.
Clicking or snapping sounds	The thermostat makes a definite click when the refrigerator stops running. It also makes a sound when the refrigerator starts. The defrost timer will click when the defrost cycle starts and stops.
Ice maker sounds <ul style="list-style-type: none">• trickling water• clatter of ice	You may hear buzzing (from the water valve), trickling water, and the clatter of ice falling into the bin.
Running sounds	The high-efficiency compressor and motor will run longer than older designs. The internal fan may occasionally run when the compressor is off.
Trickling water/water sounds	During the defrost cycle, the refrigerator will not be running. The trickling water is the frost accumulated on the freezer coil melting and running into the defrost pan. When the refrigerator stops running, you will hear gurgling in the tubing for a few minutes.
Warm air from upper ventilation panel/base grille	You may feel air blowing from behind the upper ventilation panel and base grille when the refrigerator is running. This is normal.

Saving energy

You can help your refrigerator use less electricity.

- Clean the condenser coils regularly.
- Open the door as few times as possible. Think about what you need before you open the door. Get everything out at one time. Keep food organized so you won't have to search for what you want. Close door as soon as food is removed.
- Go ahead and fill up the refrigerator, but don't overcrowd it so air movement is blocked.
- It is a waste of electricity to set the refrigerator and freezer to temperatures colder than they need to be. If ice cream is firm in the freezer and drinks are as cold as your family likes them, that's cold enough.

Caring for Your Refrigerator

Your refrigerator is built to give you many years of dependable service. However, there are a few things you can do to help extend its product life. This section tells you how to clean your refrigerator and what to do when going on vacation, moving, or during a power outage.

Cleaning your refrigerator

The refrigerator and freezer compartments defrost automatically. However, clean both once a month to prevent odors from building up. Wipe up spills immediately.



Before cleaning, disconnect the refrigerator from its power supply by pressing the power on/off switch to the OFF position. Then, take out all removable parts and clean the refrigerator according to the directions given below. Be sure to press the power on/off switch to the ON position when you are finished cleaning.

! WARNING



Explosion Hazard

Use nonflammable cleaner.

Failure to do so can result in death, explosion, or fire.

PART	WHAT TO USE	HOW TO CLEAN
Removable parts (shelves, crisper, etc.)	Sponge or cloth with mild detergent and warm water	<ul style="list-style-type: none"> • Hand wash and dry thoroughly.
Outside	Sponge, cloth, or paper towel with mild detergent, warm water, and a good appliance wax (or good auto paste wax)	<ul style="list-style-type: none"> • Wash outside of cabinet. Do not use abrasive or harsh cleaners. • Wipe and dry thoroughly. • Wax painted metal surfaces at least twice a year. Apply wax with a clean, soft cloth. Waxing painted metal surfaces provides rust protection. Do not wax plastic parts.
Inside walls (allow freezer to warm up so cloth won't stick)	Sponge, soft cloth, or paper towel with baking soda or mild detergent and warm water	<ul style="list-style-type: none"> • Wash with mixture of warm water and: <ul style="list-style-type: none"> – mild detergent, or – baking soda (2 tbs to 1 qt [26 g to .95 L] of water). • Wipe and dry thoroughly.
Door liners and gaskets	Sponge, soft cloth, or paper towel with mild detergent and warm water	<ul style="list-style-type: none"> • Wipe and dry thoroughly. <p>DO NOT USE cleaning waxes, concentrated detergents, bleaches, or cleaners containing petroleum on plastic parts.</p>
Plastic parts (covers and panels)	Soft, clean sponge or soft, clean cloth with mild detergent and warm water	<ul style="list-style-type: none"> • Wipe and dry thoroughly. <p>DO NOT USE paper towels, window sprays, scouring cleansers, or flammable fluids. These can scratch or damage material. See "Important Safety Instructions" on page 3.</p>
Defrost pan	Sponge or cloth with mild detergent and warm water	<ul style="list-style-type: none"> • Press power on/off switch to the OFF position. • Remove base grille. (See page 16.) • Reach into small opening at right edge and remove the defrost pan. • Wash, rinse, and dry thoroughly. • Replace defrost pan. Make sure to push it completely into the opening. • Replace base grille. • Press power on/off switch to the ON position.

continued on next page

Caring for Your Refrigerator

PART	WHAT TO USE	HOW TO CLEAN
Condenser coils	Vacuum cleaner with extended narrow attachment	<ul style="list-style-type: none">• Remove upper ventilation panel to expose condenser coils. (See page 5.)• Vacuum coils when dusty or dirty. Coils may need to be cleaned as often as every other month.• Replace upper ventilation panel.
Base grille	Vacuum cleaner with brush attachment	<ul style="list-style-type: none">• Vacuum base grille.

Vacation and moving care

Short vacations

No need to shut off the refrigerator if you will be away for less than four weeks. Use up any perishables and freeze other items. If your refrigerator has an automatic ice maker, raise signal arm to OFF (up) position to shut off water supply to the ice maker.

Moving

If the refrigerator must be moved, contact the dealer from whom you purchased the unit or your local KitchenAid authorized servicer.

Long vacations

If you will be away for a month or more:

1. Remove all food from the refrigerator.
2. Turn off the water supply to the ice maker at least one day before you leave.

3. When the last load of ice drops, turn ice maker off by lifting the signal arm to the OFF position.
4. Turn the Freezer Control to the **Off** setting.
5. Press the power on/off switch to the OFF position.
6. Clean the refrigerator completely. Wipe well and dry thoroughly.
7. Tape rubber or wood blocks to the tops of both doors, keeping them open far enough for air to get in. This will keep odor and mold from building up.

When you return, press the power on/off switch to the ON position to restart the refrigerator and turn the Freezer Control to a desired setting. (See "Setting the temperature controls" on page 6.)

Power interruptions

If electricity goes off, call the power company. Ask how long power will be off.

1. If service will be interrupted 24 hours or less, **keep both doors closed**. This helps food stay frozen.
2. If service will be interrupted longer than 24 hours:
 - (a) Remove all frozen food and store in a frozen food locker.

OR

- (b) Place 2 lbs. (900 g) of dry ice in freezer for every cubic foot (liter) of freezer space. This will keep food frozen for two to four days. Wear gloves to protect your hands from dry ice burns.

OR

- (c) If neither a food locker nor dry ice is available, use or can perishable food at once.

3. A full freezer stays cold longer than a partly filled one. A freezer full of meat stays cold longer than a freezer full of baked goods. If food contains ice crystals, it may be safely refrozen, although the quality and flavor may be affected. If the condition of the food is poor, or if you feel it is unsafe, dispose of it.

Questions?

Call our Consumer Assistance Center telephone number, **1-800-235-0665**, from anywhere in the U.S.A. or Canada.

Food Storage Guide

There is a correct way to package and store refrigerated or frozen food. To keep food fresher, longer, take the time to study these recommended steps.

Storing fresh food

Wrap or store food in the refrigerator in airtight and moisture-proof material. This prevents food odor and taste transfer throughout the refrigerator. For dated products, check code date to ensure freshness.

Leafy vegetables

Remove store wrapping and trim or tear off bruised and discolored areas. Wash in cold water and drain. Place in plastic bag or plastic container and store in crisper.

Vegetables with skins (carrots, peppers)

Store in crisper, plastic bags, or plastic container.

Fruit

Wash, let dry, and store in refrigerator in plastic bags or crisper. Do not wash or hull berries until they are ready to use. Sort and keep berries in original container in a crisper, or store in a loosely closed paper bag on a refrigerator shelf.

Eggs

Store without washing in original carton on interior shelf. On some models, an egg storage container is provided for your convenience.

Milk

Wipe milk cartons. For best storage, place milk on interior shelf.

Butter or margarine

Keep opened butter in covered dish or closed compartment. When storing an extra supply, wrap in freezer packaging and freeze.

Cheese

Store in the original wrapping until you are ready to use it. Once opened, rewrap tightly in plastic wrap or aluminum foil.

Leftovers

Cover leftovers with plastic wrap or aluminum foil. Plastic containers with tight lids can also be used.

Meat

Store most meat in original wrapping as long as it is airtight and moisture-proof. Rewrap if necessary. See the following for storage times. When storing meat longer than the times given, freeze the meat.

Chicken	1-2 days	Bacon	5-7 days
Ground beef	1-2 days	Cold cuts	3-5 days
Steaks/roasts	3-5 days	Variety meats	1-2 days
Cured meats	7-10 days		

NOTE: Use fresh fish and shellfish the same day as purchased.

Storing frozen food

The freezer section is designed for storage of commercially frozen food and for freezing food at home.

NOTE: For further information about preparing food for freezing or food storage times, check a freezer guide or reliable cookbook.

Packaging

The secret to successful freezing is in the packaging. The way you close and seal the package must not allow air or moisture in or out. Packaging done in any other way could cause food odor and taste transfer throughout the refrigerator and drying of frozen food.

Do not use:

- Bread wrappers
- Non-polyethylene plastic containers
- Containers without tight lids
- Wax paper
- Wax-coated freezer wrap
- Thin, semi-permeable wrap

The use of these wrappings could cause food odor, taste transfer, and drying of frozen food.

Packaging recommended for use:

- Rigid plastic containers with tight-fitting lids
- Straight-sided canning/freezing jars
- Heavy-duty aluminum foil
- Plastic-coated paper
- Non-permeable plastic wraps (made from saran film)

Follow package or container instructions for proper freezing methods.

Freezing

Do not expect your freezer to quick-freeze any large quantity of food. Put no more unfrozen food into the freezer than will freeze within 24 hours (no more than 2 to 3 lbs. of food per cubic foot [900-1,350 g per liter] of freezer space). Leave enough space for air to circulate around packages. Be careful to leave enough room at the front so the door can close tightly.

Storage times will vary according to the quality of the food, the type of packaging or wrap used (airtight and moisture-proof), and the storage temperature, which should be 0°F (-17.8°C).

Troubleshooting

Performance problems often result from little things you can fix without tools. Please read through “Before calling for assistance ...” below before calling for service on your appliance.

Before calling for assistance ...

Listed in this chart are the most common problems consumers run into with their appliances. Please read through this and see if it can solve your problem.

PROBLEM	CHECK THE FOLLOWING
Refrigerator will not operate	Is the power cord plugged into a live circuit with the proper voltage? Has a household fuse blown or circuit breaker tripped? Is the Refrigerator Control in the OFF position?
Refrigerator makes unfamiliar sounds	New refrigerator features make new sounds. See “Understanding the sounds you may hear” on page 18 for descriptions of normal sounds and what makes them.
Water in the defrost pan	This is normal in hot, muggy weather. Make sure the pan is level so it does not overflow.
Dispensers will not operate	See “Dispenser/ice maker operating tips” on page 15.
Ice maker will not operate	Is the freezer cold enough to make ice? It could take overnight for the freezer to reach the proper temperature. Is the signal arm in the ON (down) position? (See page 12.) Is the water valve turned on? Is water getting to the water valve? Check water line for leaks.
Lights do not work	Has a household fuse blown or circuit breaker tripped? Is a bulb burned out? (See page 17 for replacement instructions.)
Motor seems to run too long	The motor naturally runs longer on hot days, if the room is too warm, if a large amount of food has been added, or if the doors are opened often.

Requesting Assistance or Service

Before calling for assistance or service, please check the "Troubleshooting" section. It may save you the cost of a service call. If you still need help, follow the instructions below.

If you need assistance or service in the U.S.A.:

1. If the problem is not due to one of the items listed in "Troubleshooting" ...

Call the KitchenAid Consumer Assistance



Center toll-free:

1-800-235-0665

When calling:

Please know the purchase date, and the complete model and serial number of your appliance (see page 2). This information will help us to better respond to your request.

Our consultants provide assistance with:

- Features and specifications on our full line of appliances.
- Installation information.
- Use and maintenance procedures.
- Accessory and repair parts sales.
- Do-it-yourself repair help.
- Specialized customer assistance (Spanish speaking, hearing impaired, limited vision, etc.).
- Referrals to local dealers, service companies, and repair parts distributors.

KitchenAid service technicians are trained to fulfill the product warranty and provide after-warranty service, anywhere in the United States.

To locate the authorized KitchenAid service company in your area, you can also look in your telephone directory Yellow Pages.

2. If you need replacement parts ...

If you need to order replacement parts, we recommend that you only use factory authorized parts. These parts will fit right and work right, because they are made with the same precision used to build every new KITCHENAID* appliance.



To locate factory authorized replacement parts in your area, call our Consumer Assistance Center telephone number or your nearest authorized service center.

3. For further assistance ...

If you need further assistance, you can write to KitchenAid with any questions or concerns at:

KitchenAid Brand Home Appliances
Consumer Assistance Center
c/o Correspondence Dept.
2000 North M-63
Benton Harbor, MI 49022-2692

Please include a daytime phone number in your correspondence.

If the dealer, authorized servicer, and KitchenAid have failed to resolve your problem, you can contact the Major Appliance Consumer Action Program (MACAP). MACAP is a group of independent consumer experts that voices consumer views at the highest levels of the major appliance industry. MACAP will in turn inform us of your action.

Major Appliance Consumer Action Program
20 North Wacker Drive
Chicago, IL 60606

If you need assistance or service in Canada:

1. If the problem is not due to one of the items listed in "Troubleshooting"† ...

Contact the dealer from whom you purchased your appliance, or call the KitchenAid Canada Consumer Assistance Centre toll free, **8:30 a.m. – 6 p.m. (EST)**, at **1-800-235-0665**.



2. If you need service† ...

Contact your nearest KitchenAid Canada Appliance Service branch or authorized servicing outlet to service your appliance. (See list below.)

† When asking for help or service: Please provide a detailed description of the problem, your appliance's complete model and serial numbers, and the purchase date. (See the "A Note to You" section.) This information will help us respond properly to your request.

KitchenAid Canada Appliance Service – Consumer Services

Direct service branches:

BRITISH COLUMBIA		1-800-665-6788
ALBERTA		1-800-661-6291
ONTARIO (except 807 area code)	Ottawa area Outside the Ottawa area	1-800-267-3456 1-800-807-6777
MANITOBA, SASKATCHEWAN and 807 area code in ONTARIO		1-800-665-1683
QUEBEC	Montreal (except South Shore) South Shore Montreal Quebec City Sherbrooke	1-800-361-3032 1-800-361-0950 1-800-463-1523 1-800-567-6966
ATLANTIC PROVINCES		1-800-565-1598

For further assistance

If you need further assistance, you can write to KitchenAid Canada with any questions or concerns at:

Consumer Relations Department
KitchenAid Canada
1901 Minnesota Court
Mississauga, Ontario L5N 3A7

Please include a daytime phone number in your correspondence.

KitchenAid*

Built-in Refrigerator Warranty

LENGTH OF WARRANTY:	KITCHENAID WILL PAY FOR:	KITCHENAID WILL NOT PAY FOR:
TWO YEAR FULL WARRANTY FROM DATE OF INSTALLATION	Replacement parts and repair labor costs to correct defects in materials or workmanship. Service must be provided by an authorized KitchenAid servicing outlet.	A. Service calls to: <ol style="list-style-type: none"> 1. Correct the installation of the refrigerator. 2. Instruct you how to use the refrigerator. 3. Replace house fuses or correct house wiring. 4. Replace house plumbing. B. Repairs when refrigerator is used in other than normal home use. C. Damage resulting from accident, alteration, misuse, abuse, improper installation, or installation not in accordance with local electrical codes or plumbing codes. D. Any food loss due to product failure. E. Any labor costs during the limited warranty. F. Replacement parts or repair labor costs for units operated outside the United States or Canada. G. Repairs to parts or systems caused by unauthorized modifications made to the appliance. H. Removal and replacement of trim or decorative panels that interfere with servicing the product.
THIRD THROUGH SIXTH YEAR FULL WARRANTY FROM DATE OF INSTALLATION	Replacement parts and repair labor costs to correct defects in materials or workmanship in the automatic ice maker. Service must be provided by an authorized KitchenAid servicing outlet. Replacement parts and repair labor costs to correct defects in materials or workmanship in the sealed refrigeration system. These parts are: 1. Compressor; 2. Evaporator; 3. Condenser; 4. Drier; 5. Connecting tubing. Service must be provided by an authorized KitchenAid servicing outlet.	
SEVENTH THROUGH TWELFTH YEAR LIMITED WARRANTY FROM DATE OF INSTALLATION	Replacement parts to correct defects in materials or workmanship in the sealed refrigeration system. These parts are: 1. Compressor; 2. Evaporator; 3. Condenser; 4. Drier; 5. Connecting tubing.	

2/96

KITCHENAID AND KITCHENAID CANADA DO NOT ASSUME ANY RESPONSIBILITY FOR INCIDENTAL OR CONSEQUENTIAL DAMAGES. Some states or provinces do not allow the exclusion or limitation of incidental or consequential damages, so this exclusion or limitation may not apply to you.

This warranty gives you specific legal rights and you may also have other rights which may vary from state to state or province to province.

If you need service, first see the "Troubleshooting" section of this book. After checking "Troubleshooting," additional help can be found by checking the "Requesting Assistance or Service" section, or by calling our Consumer Assistance Center telephone number, **1-800-235-0665**, from anywhere in the U.S. or Canada.

Guide d'utilisation et d'entretien



Table des matières	
(complète)	2
Veillez noter	2
Sécurité du réfrigé- rateur	3
Pièces et caractéristiques	5
Utilisation du réfrigérateur	6
Entretien du réfrigérateur	20
Conservation des aliments	22
Dépannage	24
Demande d'assistance ou de service	25
Garantie	26

KITCHENAID* RÉFRIGÉRATEUR-CONGÉLATEUR SANS GIVRE DE 36 POUCE À 48 POUCE

Table des matières

	Page		Page
Veillez noter	2	Réglage des clayettes réglables du congélateur	12
Sécurité du réfrigérateur	3 et 4	Retrait des paniers coulissants du congélateur	12
Pièces et caractéristiques	5	Utilisation de la machine à glaçons automatique	13
Utilisation du réfrigérateur	6	Retrait du bac de la machine à glaçons	14
Retrait du panneau de ventilation supérieur	6	Utilisation des distributeurs d'eau froide et de glaçons	15
Utilisation de l'interrupteur	6	Retrait de la grille de la base	17
Utilisation du système de gestion de la température EXTENDFRESH*	7	Retrait du plateau de dégivrage	17
Réglage du thermostat du bac à viande FRESHCHILL*	8	Remplacement des ampoules	18
Réglage du compartiment range-tout réglable	8	Les bruits de l'appareil	19
Réglage des balconnets réglables de la porte	9	Conseils pour économiser l'énergie	19
Réglage de la position des étagères SPILLCLEAN* du réfrigérateur	9	Entretien du réfrigérateur	20
Retrait du bac à viande FRESHCHILL*	10	Conservation des aliments	22
Retrait des bac à légumes et bac range-tout à humidité contrôlée CLEARVUE*	11	Dépannage	24
		Demande d'assistance ou de service	25
		Garantie	26

Veillez noter

Merci d'avoir acheté un appareil ménager KITCHENAID!*

KitchenAid construit les meilleurs accessoires pour la pièce la plus importante de votre domicile. Pour garantir que cet appareil vous donne de nombreuses années de service sans problème, nous avons mis au point ce guide d'utilisation et d'entretien. Il contient des renseignements appréciables qui vous aideront à utiliser et à entretenir votre appareil convenablement et en sécurité. Veuillez lire ces renseignements attentivement.

Veillez aussi remplir et poster la carte d'enregistrement du produit ci-incluse.

Veillez inscrire les renseignements concernant votre réfrigérateur.

Si jamais vous avez besoin de service pour votre appareil ménager, vous devrez connaître le numéro de modèle et le numéro de série. Ces renseignements sont indiqués sur l'étiquette signalétique des numéros de modèle et de série (voir schéma, page 5).

Veillez également noter la date d'achat du produit ainsi que les nom, adresse et numéro de téléphone du marchand.

Numéro de modèle _____

Numéro de série _____

Date d'achat _____

Nom du marchand _____

Adresse _____

Téléphone _____

Conservez cette brochure et la facture de vente en lieu sûr pour référence ultérieure.

Sécurité du réfrigérateur

Votre sécurité et celle des autres est très importante.

Nous donnons de nombreux messages de sécurité importants dans ce manuel et sur votre appareil ménager. Assurez-vous de toujours lire tous les messages de sécurité et de vous y conformer.



Voici le symbole d'alerte de sécurité.

Ce symbole d'alerte de sécurité vous signale les dangers susceptibles de causer le décès et des blessures graves.

Tous les messages de sécurité seront précédés du symbole d'alerte de sécurité et du mot "DANGER" ou "AVERTISSEMENT". Ces mots signifient :

! DANGER

Risque certain de décès ou de blessure grave si vous ne suivez pas les instructions.

! AVERTISSEMENT

Risque possible de décès ou de blessure grave si vous ne suivez pas les instructions.

Tous les messages de sécurité identifient le danger et vous disent comment réduire le risque de blessure et ce qui peut se produire en cas de non-respect des instructions.

IMPORTANTES INSTRUCTIONS DE SÉCURITÉ

AVERTISSEMENT – Pour réduire les risques d'incendie, de choc électrique ou des blessures lors de l'utilisation du réfrigérateur, prendre quelques précautions fondamentales, y compris les suivantes :

- Brancher l'appareil à une prise à 3 alvéoles reliée à la terre.
- Ne pas enlever la broche de liaison à la terre.
- Ne pas utiliser un adaptateur.
- Ne pas utiliser un câble de rallonge.
- Débrancher la source de courant électrique avant l'entretien.
- Enlever les portes de votre vieux réfrigérateur.
- Utiliser un produit de nettoyage ininflammable seulement.
- Garder les matériaux et les vapeurs inflammables, telle que l'essence, loin du réfrigérateur.
- Deux personnes ou plus doivent déplacer et installer le réfrigérateur.
- Débrancher le réfrigérateur avant l'installation de la machine à glaçons.
- Utiliser un verre robuste pour prendre des glaçons ou de l'eau (sur certains modèles).

– CONSERVER CES INSTRUCTIONS –

suite à la page suivante

Mise ou rebut correcte de votre vieux réfrigérateur

⚠️ AVERTISSEMENT

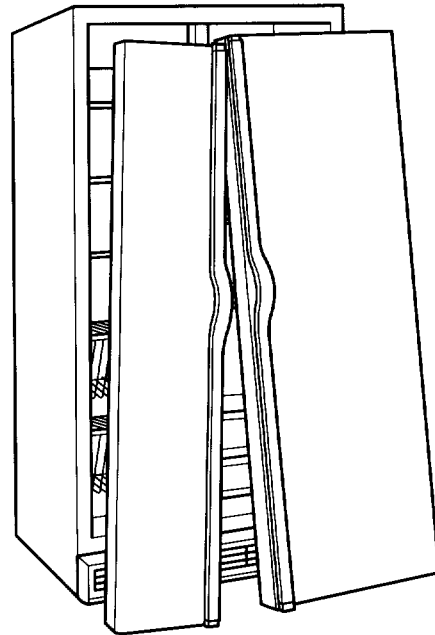
Risque de suffoquer

**Enlever les portes de votre vieux réfrigérateur.
Le non-respect de cette instruction peut causer
un décès ou des lésions cérébrales.**

IMPORTANT : L'emprisonnement et l'étouffement des enfants ne sont pas un problème du passé. Les réfrigérateurs jetés ou abandonnés sont encore dangereux même s'ils sont laissés abandonnés "pendant quelques jours seulement". Si vous vous débarrassez de votre vieux réfrigérateur, veuillez suivre les instructions ce-dessous pour aider à éviter les accidents.

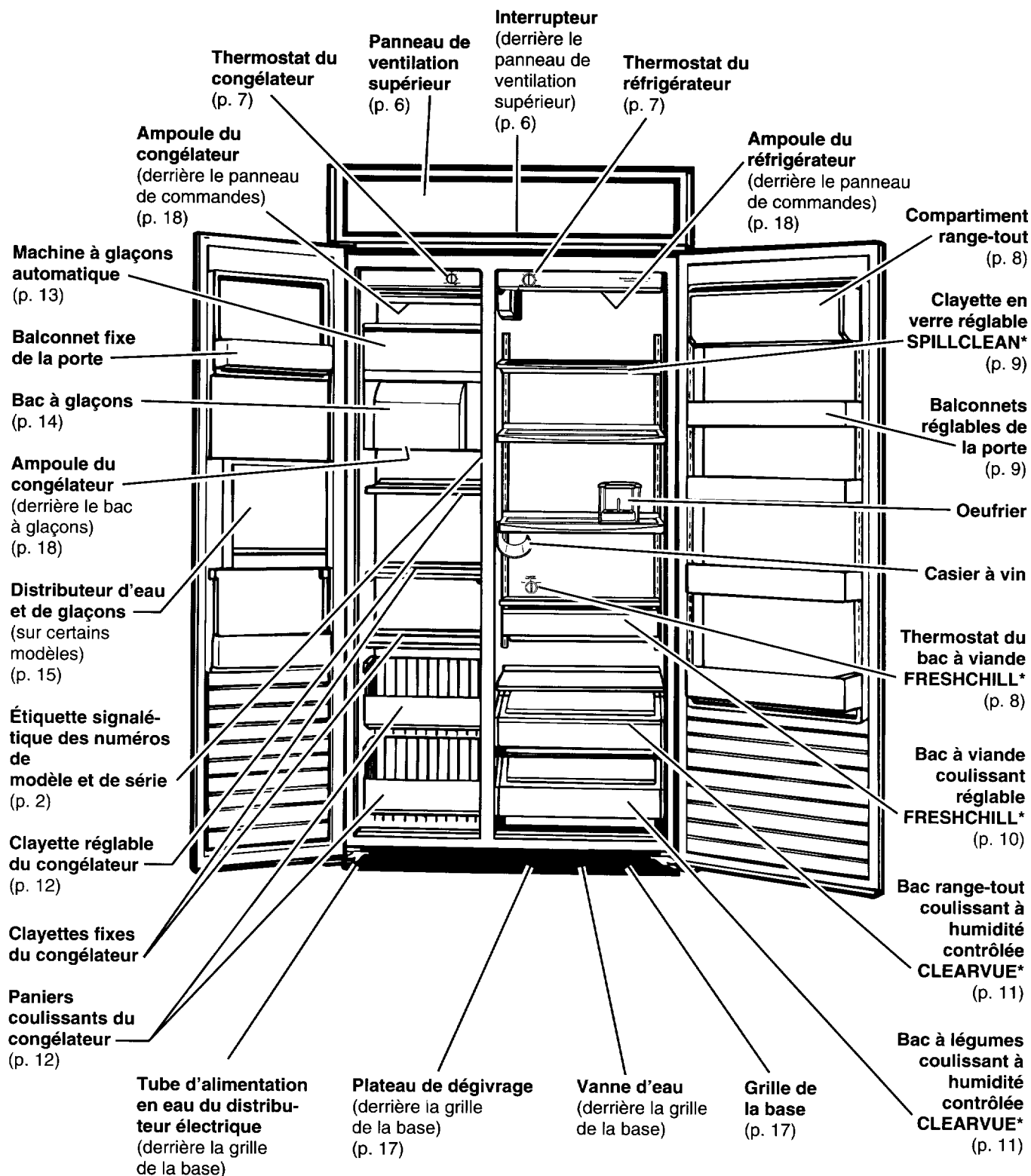
AVANT DE JETER VOTRE VIEUX RÉFRIGÉRATEUR OU CONGÉLATEUR :

- Enlevez les portes.
- Laissez les tablettes en place de sorte que les enfants ne peuvent pas y pénétrer facilement.



Pièces et caractéristiques

Cette section présente des illustrations descriptives de l'appareil ménager. L'utilisateur pourra ainsi se familiariser avec toutes les pièces et caractéristiques de l'appareil, et leur apparence. Cette brochure contient également des pages de référence.



Utilisation du réfrigérateur

Pour obtenir le meilleur rendement du réfrigérateur, il est important de l'utiliser convenablement. On décrit dans cette section les méthodes de réglage de la température, comment effectuer le réglage de certaines fonctions du réfrigérateur, et comment économiser l'énergie.

⚠ AVERTISSEMENT



Risque de choc électrique

Brancher sur une prise à 3 alvéoles reliée à la terre.

Ne pas enlever la broche de liaison à la terre.

Ne pas utiliser un adaptateur.

Ne pas utiliser un câble de rallonge.

Le non-respect de ces instructions peut causer un décès, un incendie ou un choc électrique.

⚠ AVERTISSEMENT



Risque d'explosion

Garder les matériaux et les vapeurs inflammables telle que l'essence, loin du réfrigérateur.

Le non-respect de cette instruction peut causer un décès, une explosion, ou un incendie.

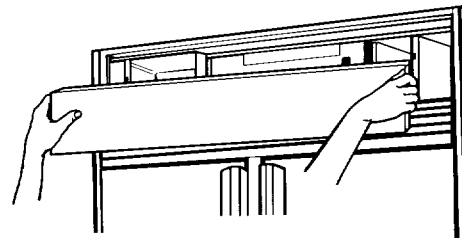
Retrait du panneau de ventilation supérieur

Pour le retirer :

1. Prendre le panneau par ses deux extrémités.
2. Pousser vers le haut et retirer.

Pour le replacer :

1. Insérer les crochets (situés à l'arrière du panneau de ventilation) aux fentes du support.
2. Tirer le panneau légèrement vers le bas jusqu'à ce qu'il tombe bien en place.



Utilisation de l'interrupteur

L'interrupteur se trouve derrière le panneau de ventilation supérieur. On l'utilise pour arrêter le courant du réfrigérateur avant le nettoyage de l'appareil ou le remplacement d'une ampoule électrique.

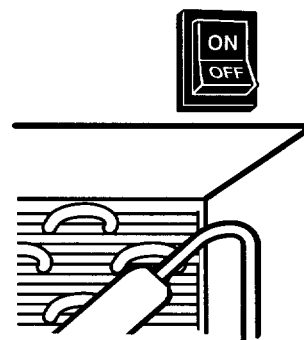
Pour arrêter le courant :

1. Retirer le panneau de ventilation supérieur.
2. Régler l'interrupteur en position ARRÊT (OFF).

Pour remettre en marche :

1. Régler l'interrupteur en position EN MARCHÉ (ON).
2. Replacer le panneau de ventilation supérieur.

IMPORTANT : S'assurer que l'interrupteur est en position EN MARCHÉ après le nettoyage de l'appareil ou le remplacement d'une ampoule électrique.



Utilisation du système de gestion de la température EXTENDFRESH*

Le système de gestion de la température EXTENDFRESH contrôle la température indépendamment dans le compartiment de congélation et dans le compartiment de réfrigération. Le système aide à prolonger la fraîcheur des aliments dans le réfrigérateur en réagissant à des variations de température aussi faibles que 1,5°F. À la différence de la plupart des réfrigérateurs qu'on trouve aujourd'hui sur le marché, le système EXTENDFRESH de ce réfrigérateur utilise un ventilateur spécial SmartFan pour faire passer immédiatement de l'air froid du congélateur au réfrigérateur pour produire un abaissement de la température plus rapide, sans qu'une mise en marche du compresseur soit nécessaire. De même, le système maintient une température constante qui n'est pas affectée par les variations de la température extérieure, comme celles imputables aux variations saisonnières et au thermostat programmable, ou même par les variations de température dans d'autres compartiments à l'intérieur du réfrigérateur.

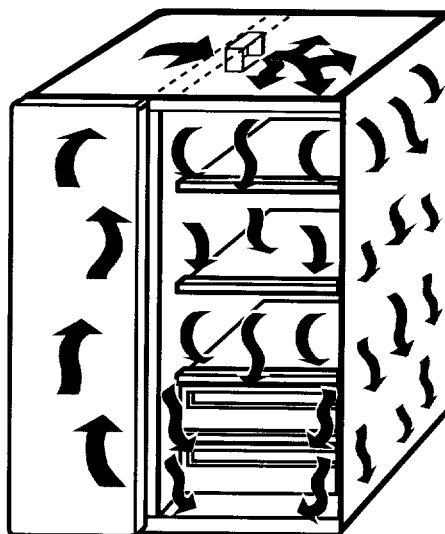


Illustration de la circulation d'air sous l'effet du ventilateur SmartFan.

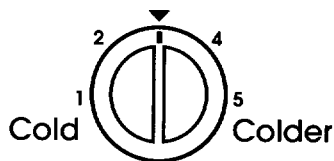
Thermostats

Les thermostats du réfrigérateur et du congélateur ont été pré-réglés à l'usine. Ces réglages devraient être appropriés pour l'usage normal d'un réfrigérateur ménager. Laisser au réfrigérateur le temps d'atteindre la température pré-réglée (environ 24 heures) avant de changer la position de réglage.

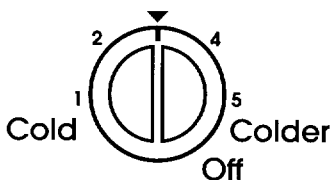
Pour changer le réglage de la température :

1. Régler le thermostat du réfrigérateur et/ou du congélateur.
 - Pour faire baisser la température, tourner la commande dans le sens des aiguilles d'une montre.
 - Pour faire monter la température, tourner la commande dans le sens inverse.
2. Attendre au moins 24 heures avant d'effectuer d'autres réglages, pour permettre au réfrigérateur ou au congélateur d'atteindre la température désirée.

IMPORTANT : Le réglage **Off** (arrêt) arrête toute action refroidissante mais ne débranche pas le réfrigérateur de la source de courant.



Thermostat du réfrigérateur



Thermostat du congélateur

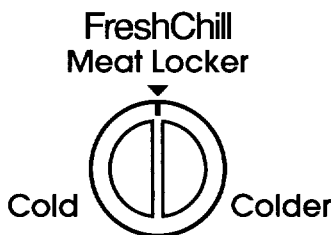
Réglage du thermostat du bac à viande FRESHCHILL*

Le thermostat du bac à viande FRESHCHILL permet de régler la température de rangement du bac à viande FRESHCHILL.

L'air froid circule dans le bac à viande FRESHCHILL par une conduite d'air qui relie le congélateur au réfrigérateur. Le réglage de la température permet à plus ou moins d'air de passer par l'ouverture. Pour plus de détails concernant le bac à viande FRESHCHILL, voir page 10.

IMPORTANT : La congélation d'articles peut survenir dans le bac à viande FRESHCHILL, le compartiment range-tout ou le bac à légumes. Lorsque ce survenir, régler le thermostat du bac à viande FRESHCHILL vers la position froid (cold).

Aussi, si la distributeur d'eau de cesser de fonctionner, ce peut survenir à congélation du conduit d'eau qui apporte l'eau froide au distributeur. Lorsque ce survenir, régler le thermostat du bac à viande FRESHCHILL vers la position froid (cold).



Réglage du compartiment range-tout réglable

(modèles KSSS36Q, KSSS36M, KSSS42Q, KSSS42M, KSSP36Q, KSSP36M, KSSP42Q, et KSSP42M)

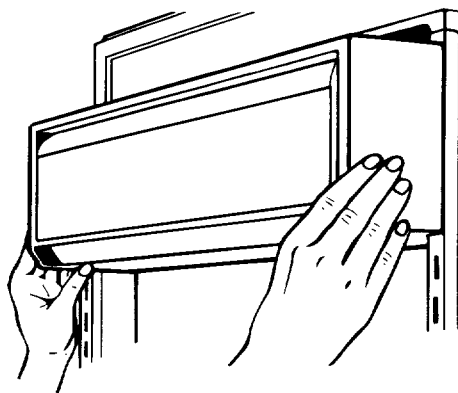
Le compartiment range-tout peut être placé n'importe où dans la porte du réfrigérateur.

Pour le retirer :

1. Prendre le compartiment par les deux extrémités.
2. Lever et tirer.

Pour le replacer :

1. Insérer les crochets du compartiment dans les crans de crémaillère situés de chaque côté de la porte.
2. Pousser vers le bas pour mettre en place.



Réglage des balconnets réglables de la porte

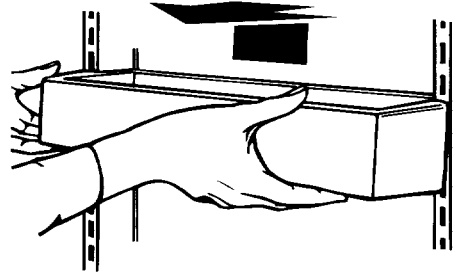
Les balconnets de porte peuvent recevoir des bouteilles de deux litres et être placés n'importe où dans la porte du réfrigérateur.

Pour les retirer :

1. Saisir le balconnet de porte.
2. Lever et tirer.

Pour les replacer :

1. Insérer les crochets du balconnet dans les crans de crémaillère situés de chaque côté de la porte.
2. Pousser vers le bas pour mettre en place.



Réglage de la position des verres étagères SPILLCLEAN* du réfrigérateur

Ajuster la position des étagères dans le réfrigérateur en fonction des besoins.

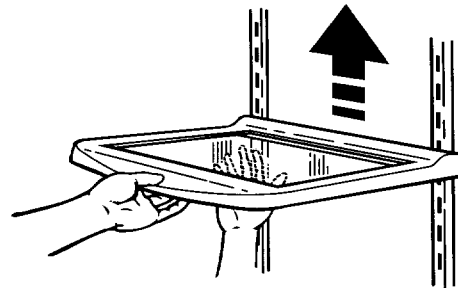
Pour enlever les étagères :

1. Soulever l'étagère à l'avant.
2. Soulever l'étagère à l'arrière.
3. Tirer l'étagère en ligne droite pour l'extraire du réfrigérateur.

IMPORTANT : Les étagères de verre sont lourdes. Les manipuler prudemment.

Pour remettre en place les étagères :

1. Guider les crochets arrière de l'étagère dans les ouvertures d'appui.
2. Soulever l'étagère à l'avant pour que les crochets puissent descendre dans les ouvertures. Abaisser l'avant pour placer l'étagère horizontalement.
3. Contrôler la stabilité de l'étagère pour vérifier que les crochets ont été convenablement insérés.



Retrait du bac à viande FRESHCHILL*

Le bac à viande FRESHCHILL a été conçu pour permettre de ranger les aliments à des températures plus basses que la température moyenne du réfrigérateur. On peut placer le réceptacle du bac à viande dans n'importe quelle série de crans à crémaillère. **Par contre, pour un usage à température contrôlée, il faut que le bac à viande soit installé dans l'avant-dernière rangée de crans, en partant du bas.**

Le bac à viande FRESHCHILL peut être retiré pour faciliter le nettoyage.

IMPORTANT : La congélation d'articles peut survenir dans le bac à viande FRESHCHILL, le compartiment range-tout ou le bac à légumes. Lorsque ce survenir, régler le thermostat du bac à viande FRESHCHILL vers la position froid (Cold).

Pour le retirer :

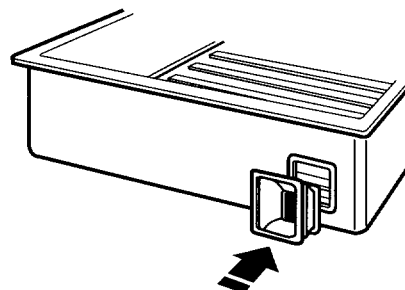
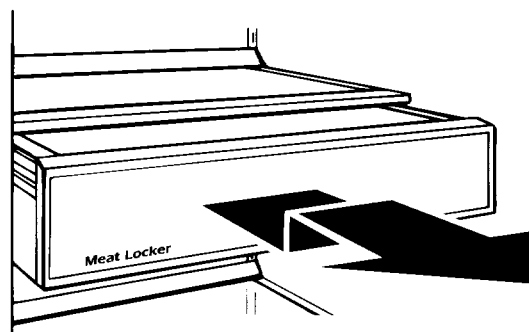
1. Faire glisser le bac à viande vers soi jusqu'à arrêt complet.
2. Soulever légèrement l'avant du bac à viande.
3. Tirer le bac à viande.

Pour le replacer :

1. Positionner les rouleaux du bac à viande entre le rouleau avant du rail et le rail.
2. Pousser vers le haut et sur le rail.
3. Faire glisser vers l'arrière jusqu'à la butée.

IMPORTANT : Si le bac à viande est installé dans n'importe quelle rangée de crans autre que l'avant-dernière rangée de crans en partant du bas, boucher l'orifice d'alimentation d'air. À cette fin, un bouchon est collé à l'aide d'un ruban adhésif au fond du bac à viande.

Le raccord à air en caoutchouc (placé derrière le bac à viande) dirige l'air provenant des trous de l'alimentation en air dans le bac à viande. Si le raccord d'air se détache, le remettre en le poussant dans l'ouverture carrée au dos du bac à viande.



Retrait des bac à légumes et bac range-tout à humidité contrôlée CLEARVUE*

L'humidité contrôlée dans les bacs peut être réglée en fonction des aliments qu'ils contiennent. Le bac range-tout et le bac à légumes à humidité contrôlée sont interchangeables. La section CLEARVUE est transparente et laisse voir le contenu du bac range-tout et du bac à légumes, même lorsque ceux-ci sont fermés.

IMPORTANT : La congélation d'articles peut survenir dans le bac à viande FRESHCHILL*, le compartiment range-tout ou le bac à légumes. Lorsque ce survenir, régler le thermostat du bac à viande FRESHCHILL vers la position froid (cold).

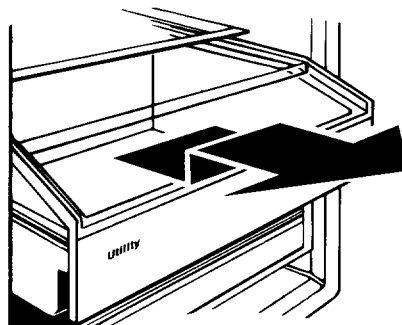
Pour régler l'humidité contrôlée :

- Déplacer la manette vers la droite pour augmenter l'humidité et pour mieux conserver les légumes à feuilles frais.
- Déplacer la manette vers la gauche pour réduire l'humidité et pour mieux conserver les fruits et légumes à pelure.

Voir "Conservation des aliments" à la page 22 pour plus de renseignements concernant le rangement correct des aliments.

Pour retirer le bac range-tout et le bac à légumes :

1. Tirer le bac jusqu'à arrêt complet.
2. Soulever l'avant du bac et tirer jusqu'au bout.
3. Replacer dans l'ordre inverse.

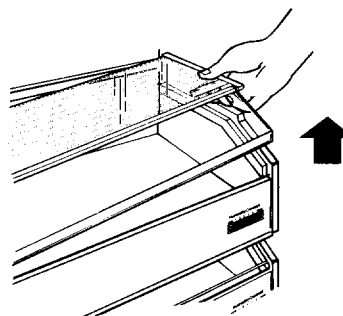


Pour retirer les couvercles en verre :

1. Soulever le côté droit du couvercle en verre pour dégager le dispositif de retenue et le côté gauche du couvercle.
2. Retirer soigneusement le couvercle en verre.

Pour replacer les couvercles en verre :

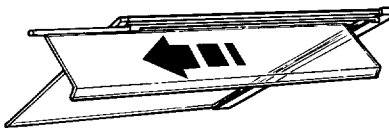
1. Placer le dispositif de retenue sur le côté droit du couvercle en verre.
2. Insérer le côté gauche du couvercle en verre dans la rainure sur la gauche du bac.
3. Abaisser le couvercle de façon à ce que les tiges du dispositif de retenue tombent en place dans les trous sur la droite du bac.



Utilisation du réfrigérateur

Pour retirer la section CLEARVUE* :

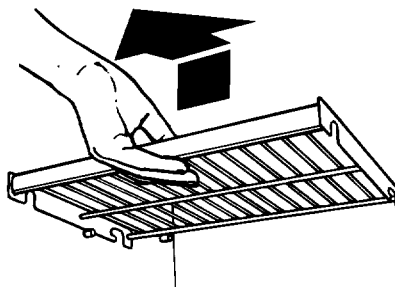
1. Retirer le couvercle en verre.
2. Faire glisser la section CLEARVUE vers le bas le long du rail, à l'écart de la pièce de retenue.
3. Replacer dans l'ordre inverse.



Réglage des clayettes réglables du congélateur

Pour les retirer :

1. Soulever la clayette.
2. Tirer la clayette tout droit.
3. Replacer dans l'ordre inverse.



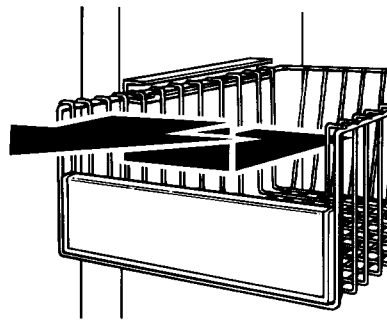
Retrait des paniers coulissants du congélateur

Pour les retirer :

1. Tirer le panier vers l'extérieur jusqu'à la butée.
2. Soulever légèrement le panier et le déplacer vers la gauche.
3. Tirer le panier vers l'avant pour le sortir.

Pour les replacer :

1. Mettre le panier dans les rails de l'étagère et le déplacer vers la gauche.
2. Pousser le panier jusqu'à la butée du côté gauche.
3. Soulever légèrement le côté gauche du panier pour franchir la butée.
4. Pousser le panier vers l'intérieur.



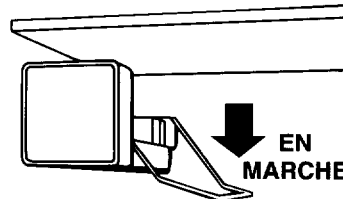
IMPORTANT : S'assurer que les deux côtés du panier sont dans les rails de l'étagère avant d'y placer des aliments.

Utilisation de la machine à glaçons automatique

IMPORTANT : Le distributeur automatique de glaçons est expédié de l'usine avec le bras de signalisation vers le haut (en position ARRÊT). Il est recommandé de laisser le distributeur de glaçons en position ARRÊT pendant 24 heures après avoir branché votre réfrigérateur. Ceci permettra au distributeur de glaçons d'atteindre la température appropriée avant de faire de la glace.

Pour mettre la machine à glaçons en marche :

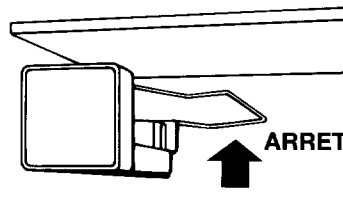
- **Pour les modèles avec distributeur seulement :**
Tirer le couvercle de la machine à glaçons et le glisser vers l'arrière.
- Abaisser le levier de la machine à glaçons en position EN MARCHE.



Pour arrêter la machine à glaçons :

- Soulever le levier pour qu'il s'enclenche en position ARRÊT.

IMPORTANT : Il est nécessaire que le levier de la machine à glaçons soit en position EN MARCHE (en bas) pour produire de la glace. Aussi, les premières quantités de glaçons provenant d'une nouvelle machine à glaçons peuvent avoir un goût altéré, qui provient de la nouvelle tuyauterie et des nouvelles pièces de l'appareil. Veuillez jeter ces glaçons et laisser la machine à glaçons refaire de nouveaux glaçons.



Solutions aux problèmes de fonctionnement de la machine à glaçons

PROBLÈME	CAUSE/SOLUTION POSSIBLE
Les glaçons en demi-lune sont collés	<ul style="list-style-type: none"> • C'est normal. Ils se séparent facilement. Agiter le bac occasionnellement pour séparer les glaçons.
Fabrication lente des glaçons	<ul style="list-style-type: none"> • Le levier MARCHE/ARRÊT est à la position ARRÊT (soulevé). Abaisser le levier à la position MARCHE (abaissé). • Le congélateur n'est pas assez froid. Régler d'abord les commandes et attendre au moins 24 heures. Voir page 7.
Arrière-goût ou mauvaise odeur de la glace	<ul style="list-style-type: none"> • On peut observer une coloration de la glace ou noter la présence d'un mauvais goût, après l'exécution de nouveaux raccordements de plomberie. Jeter la glace et en faire d'autre. • Les glaçons sont trop vieux. Les jeter et en faire d'autres. • Emballage incorrect des aliments dans le congélateur. Voir page 23. • Nettoyage nécessaire du bac à glaçons et du congélateur. Voir page 20. • L'eau peut contenir les minéraux (comme le soufre). Un filtre peut être requis pour les enlever.

Retrait du bac de la machine à glaçons

Selon le modèle, le bac de la machine à glaçons contient les quantités suivantes de glace :

KSSS36 – 3,8 kg (8,5 livres)

KSSS42 – 6,1 kg (13,5 livres)

KSSS48 – 8,0 kg (17,6 livres)

Jeter périodiquement les vieux glaçons pour diminuer les chances que leur goût ne soit altéré ou qu'ils ne dégagent une mauvaise odeur. Le bac à glace peut être retiré pour la distribution de grandes quantités de glace ou pour le nettoyage.

Pour retirer le bac à glace :

1. Tirer le couvercle de la machine à glaçons et le glisser vers l'arrière.
2. Soulever le levier de la machine à glaçons pour qu'il s'enclenche en position ARRÊT.

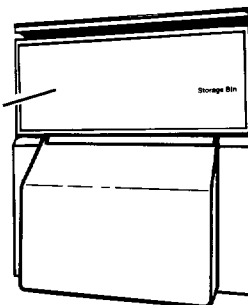
Pour les modèles avec distributeur : Lorsque la machine à glaçons est en position ARRÊT, la production de glaçons est interrompue, mais la distribution de glaçons continue lorsque la porte du congélateur est fermée.

3. Soulever l'avant du bac de rangement, puis le retirer.
4. Vider le bac. Au besoin, utiliser de l'eau chaude ou tiède pour faire fondre les glaçons. Ne jamais utiliser un objet pointu pour briser les glaçons dans le bac; cela peut endommager le bac et le mécanisme du distributeur.

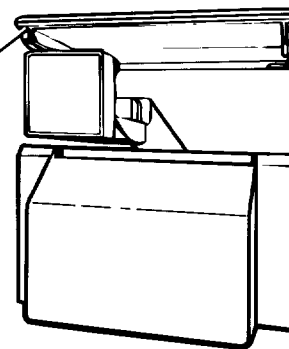
Pour remplacer le bac à glace :

1. S'assurer que le bac est poussé jusqu'au fond.
2. Abaisser le levier de la machine à glaçons en position EN MARCHÉ pour faire reprendre la production.
3. Abaisser le couvercle de la machine à glaçons.

Couvercle de la machine à glaçons abaissé



Couvercle de la machine à glaçons relevé



Utilisation des distributeurs d'eau froide et de glaçons (modèles KSSS36Q, KSSS42Q, KSSS48Q, KSSP36Q, KSSP42Q, et KSSP48Q)

Le distributeur de glaçons

Les glaçons sont distribués à partir du bac de la machine à glaçons dans le congélateur. Lorsqu'on appuie sur le levier du distributeur, une trappe s'ouvre sur la chute entre le distributeur et le bac à glace. Les glaçons tombent dans la chute. Lorsqu'on relâche le levier du distributeur, on peut entendre un bruit pendant quelques secondes.

Le réfrigérateur distribue les glaçons et la glace broyée. Avant la distribution de la glace, choisir quel type de glace vous préférez. Pour les glaçons, mettre le sélecteur de glace au position CUBED. Pour la glace broyée, mettre le sélecteur de glace au position CRUSHED.

Pour distribuer des glaçons :

1. Mettre le sélecteur de glace au position désirée.
2. Appuyer un verre **solide** contre le levier du distributeur de glaçons.
3. Retirer le verre pour arrêter la distribution.

Le distributeur d'eau froide

IMPORTANT : Si la distributeur d'eau de cesser de fonctionner, ce peut survenir à congélation du conduit d'eau qui apporte l'eau froide au distributeur. Lorsque ce survenir, régler le thermostat du bac à viande FRESHCHILL* vers la position froid (Cold).

L'eau froide provient d'un réservoir d'une capacité de 1,5 L (50 onces), situé derrière le bac à légumes et le bac range-tout. La première fois, prévoir environ 24 heures pour refroidir un plein réservoir d'eau.

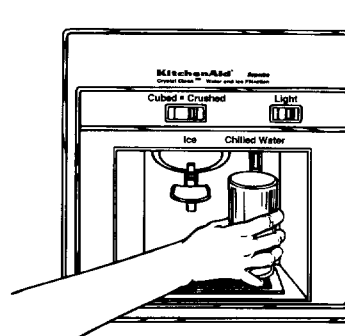
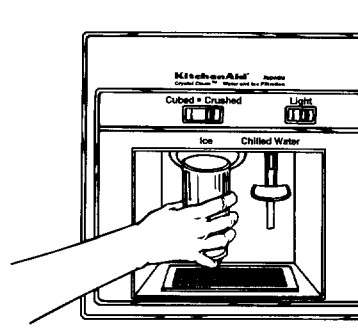
Lorsque le réfrigérateur est branché pour la première fois, appuyer un verre ou un bocal contre le levier du distributeur d'eau pour faire sortir entre 1,9 à 2,9 L (2 à 3 pintes) d'eau qu'il faudra jeter. L'air s'échappera du système et l'eau rincera le réservoir et les tuyaux.

Si le distributeur n'est pas utilisé régulièrement, distribuer suffisamment d'eau chaque semaine pour pouvoir renouveler l'approvisionnement. Prévoir de 2 à 3 heures pour le refroidissement de la nouvelle provision d'eau.

IMPORTANT : Le petit plateau situé sous le distributeur a été conçu afin que les **petites** quantités d'eau répandue puissent s'évaporer. Ce plateau ne possède pas de tuyau d'écoulement. Ne pas verser d'eau dans le plateau ou ne pas laisser de grandes quantités de glace fondre dans le plateau.

Pour distribution de l'eau froide :

1. Appuyer un verre **solide** contre le levier du distributeur d'eau.
2. Retirer le verre pour arrêter la distribution.



Utilisation du réfrigérateur

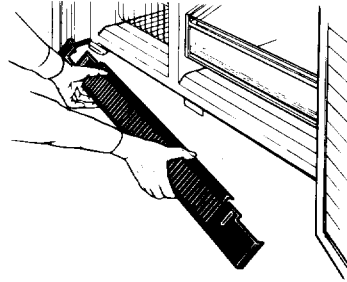
Conseils sur le fonctionnement du distributeur

PROBLÈME	CAUSE	SOLUTION
Le distributeur ne marche pas	<ul style="list-style-type: none">• Porte du congélateur ouverte	<ul style="list-style-type: none">• Fermer la porte du congélateur.
Le distributeur de glaçons ne marche pas	<ul style="list-style-type: none">• Le bac à glace n'est pas installé comme il faut• Glaçons non appropriés• Le distributeur n'est pas utilisé pendant une longue période, faisant fondre les glaçons• La barre du distributeur a été appuyée pendant trop longtemps• Pression d'eau trop basse	<ul style="list-style-type: none">• S'assurer que le bac est poussé à fond.• N'utiliser que des glaçons en forme de croissants. Secouer le bac de temps en temps pour garder les glaçons séparés et pour augmenter la capacité d'entreposage.• Jeter les vieux glaçons et en faire d'autres.• Attendre trois minutes environ pour que le moteur du distributeur soit réarmé.• De grandes quantités de glaçons devraient être enlevées du bac et non pas par le distributeur.• Contacter la compagnie de service public.
Goût ou odeur des glaçons	<ul style="list-style-type: none">• Les glaçons attirent des odeurs en suspension dans l'air; vieux glaçons• Qualité de l'eau• Aliments mal emballés• Bac à glace et congélateur peuvent avoir besoin d'être nettoyés• Canalisation à la machine à glaçons• Machine à glaçons neuve	<ul style="list-style-type: none">• Jeter les vieux glaçons et en faire d'autres; conserver l'excédent de glaçons dans un récipient couvert.• Pour les meilleurs résultats, éviter de brancher la machine à glaçons à un système d'adoucissement de l'eau. S'il faut utiliser de l'eau adoucie, s'assurer que l'adoucisseur d'eau est bien entretenu et qu'il fonctionne comme il faut.• Bien emballer les aliments dans des matériaux imperméables à l'air et à l'humidité.• Nettoyer le congélateur et le bac à glace. Voir "Nettoyage du réfrigérateur" à la page 20 pour les consignes.• Suivre les consignes d'installation pour le branchement approprié de l'alimentation en eau de la machine à glaçons.• Les premières quantités de glaçons provenant d'une nouvelle machine à glaçons peuvent avoir un goût altéré. Jeter ces glaçons et en faire de nouveaux.

Retrait de la grille de la base

Pour la retirer :

1. Enlever une vis à chaque extrémité de la grille.
2. Retirer la grille de base.
3. Replacer dans l'ordre inverse.

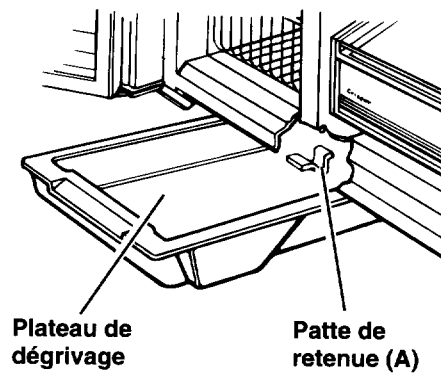


Retrait du plateau de dégivrage

Le plateau de dégivrage est situé derrière la grille de base, du côté gauche du réfrigérateur.

Pour le retirer :

1. Mettre l'interrupteur en position ARRÊT (OFF).
(Voir les instructions page 6.)
2. Retirer la grille de base.
3. Repérer la patte de retenue (A) située sous le réfrigérateur.
4. Pousser la patte vers le haut tout en tirant le plateau vers soi.
5. Nettoyer le plateau. (Voir les instructions page 20.)



Pour le replacer :

1. Placer le rebord du plateau à environ 17,8 cm (7 po) du côté gauche du réfrigérateur.
2. Remettre le plateau en place en le faisant glisser le long des coulisses latérales, jusqu'à ce qu'un déclic se fasse entendre.
3. Replacer la grille de base.
4. Mettre l'interrupteur en position EN MARCHÉ (ON).

Remplacement des ampoules

Ampoules derrière les thermostats du réfrigérateur et du congélateur :

1. Débrancher la source d'alimentation ou fermer l'interrupteur.
2. Saisir l'ampoule située derrière le panneau de commandes.
3. Dévisser l'ampoule et la remplacer par une ampoule tubulaire incandescente de 40 watts à culot moyen.
4. Rebrancher la source d'alimentation ou allumer l'interrupteur.

Ampoule sous le bac à glaçons :

1. Débrancher la source d'alimentation ou fermer l'interrupteur.
2. Retirer le protège-ampoule.
3. Dévisser l'ampoule et la remplacer par une ampoule tubulaire incandescente de 40 watts à culot moyen.
4. Remettre le protège-ampoule en place.
5. Rebrancher la source d'alimentation ou allumer l'interrupteur.

Ampoule du distributeur : (modèles avec distributeur)

1. Débrancher la source d'alimentation ou fermer l'interrupteur.
2. Dévisser l'ampoule située dans la partie supérieure du distributeur.
3. Remplacer l'ampoule par une ampoule de 10 watts à haut rendement.
4. Rebrancher la source d'alimentation ou allumer l'interrupteur.

IMPORTANT : S'assurer que le commutateur marche/arrêt est remis en position EN MARCHE (ON) après avoir changé une ampoule.

Les bruits de l'appareil

Votre nouveau réfrigérateur peut faire des bruits différents de ceux de votre appareil précédent. Les surfaces dures telles que le plafond, les murs et les armoires autour du réfrigérateur peuvent amplifier

ces sons. Le tableau suivant décrit les types de bruits qui peuvent être nouveaux pour vous et les causes probables.

BRUITS OBSERVATIONS	CAUSES
Ronflement ou sifflement	Le moteur du ventilateur du réfrigérateur et la circulation d'air.
Claquements	Le thermostat fait un déclic net lorsque le réfrigérateur cesse de fonctionner. Il fait également un bruit lorsque la réfrigération se met en marche. La minuterie du système de dégivrage fait un déclic lorsque le cycle de dégivrage commence et s'arrête.
Bruits du distributeur à glaçons <ul style="list-style-type: none">• eau qui dégoutte• cliquetis des glaçons	On peut entendre un bourdonnement provenant de la vanne d'eau, de l'eau qui dégoutte et le cliquetis des glaçons qui tombent dans le bac.
Bruits de fonctionnement	Le compresseur à grand rendement et le moteur fonctionneront plus longtemps que ceux des anciens modèles. Il se peut que le ventilateur interne se mette en marche lorsque le compresseur est arrêté.
Eau qui coule/bruits d'eau	Durant le cycle de dégivrage, le réfrigérateur ne fonctionnera pas. L'eau qui dégoutte provient de l'accumulation de givre sur le serpentin du congélateur. Ce givre fond et s'écoule dans le plateau de dégivrage. Lorsque le réfrigérateur arrête de fonctionner, vous entendrez peut-être un bruit de gargouillement dans la tuyauterie pendant quelques minutes.
Air chaud s'échappant du panneau de ventilation supérieur et de la grille de base	Vous sentirez peut-être de l'air qui s'échappe derrière le panneau de ventilation supérieur et de la grille de base lorsque fonctionnera le réfrigérateur. C'est tout à fait normal.

Conseils pour économiser l'énergie

Vous pouvez économiser l'énergie avec les conseils suivantes.

- Nettoyer périodiquement les serpentins de condensation.
- Ouvrir les portes le moins souvent possible. Ranger les aliments de façon à ce que vous n'ayez pas besoin de chercher ce que vous désirez. Sortir tous les articles dont on a besoin en même temps. Fermer la porte dès que les aliments sont sortis.
- Remplir le réfrigérateur, mais ne pas le surcharger pour ne pas bloquer la circulation d'air.
- Régler la température du réfrigérateur et du congélateur pour répondre à vos besoins : la crème glacée devrait être ferme et les boissons devraient être comme vous les aimez. Éviter de régler les températures du réfrigérateur et du congélateur plus froides que nécessaire.

Entretien du réfrigérateur

Ce réfrigérateur a été conçu et construit pour offrir de nombreuses années de service fiable. L'utilisateur peut cependant faire certaines choses pour en augmenter la longévité. Cette section décrit comment nettoyer le réfrigérateur, et ce qu'il faut faire avant une période de vacances, avant un déménagement, ou à l'occasion d'une interruption de l'alimentation électrique.

Nettoyage du réfrigérateur

Les compartiments réfrigérateur et congélateur se dégivrent automatiquement. Tous deux doivent cependant être nettoyés environ une fois par mois, afin de prévenir l'accumulation d'odeurs. Essuyer immédiatement les produits renversés.



Mettre le thermostat de congélateur au réglage ARRÊT (OFF). Pour nettoyer le réfrigérateur, débrancher l'appareil retirer toutes les pièces amovibles et les nettoyer conformément aux instructions suivantes. Pour remettre le réfrigérateur en marche, appuyer sur l'interrupteur marche/arrêt et le mettre en position EN MARCHÉ (ON).

⚠ AVERTISSEMENT



Risque d'explosion

Utiliser un produit de nettoyage ininflammable. Le non-respect de cette instruction peut causer un décès, une explosion ou un incendie.

PIÈCE	MATÉRIEL	MÉTHODE DE NETTOYAGE
Pièces amovibles (clayettes, bac à légumes, etc.)	Éponge ou chiffon avec détergent doux et eau tiède	<ul style="list-style-type: none"> • Laver à la main, rincer et sécher à fond.
Extérieur	Éponge, chiffon ou essuie-tout en papier avec détergent doux, eau tiède et cire pour appareil électroménager (ou cire en pâte de qualité pour automobile)	<ul style="list-style-type: none"> • Laver l'extérieur du réfrigérateur. Ne pas utiliser de nettoyeurs durs ou abrasifs. • Rincer et sécher à fond. • Cirer les surfaces métalliques peintes au moins deux fois par an. Appliquer la cire avec un chiffon doux et propre. Le cirage des surfaces métalliques peintes les protège contre la rouille. Ne pas utiliser de cire sur les pièces en plastique.
Parois intérieures (le congélateur doit être assez tiède pour que le chiffon n'adhère pas)	Éponge, chiffon doux ou essuie-tout en papier avec bicarbonate de soude ou détergent doux et eau tiède	<ul style="list-style-type: none"> • Laver avec de l'eau tiède et : <ul style="list-style-type: none"> – du détergent doux ou – du bicarbonate de soude (26 g [2 cuillères à soupe] ajoutés à 0,95 L [1 pinte] d'eau). • Rincer et sécher à fond.
Garnitures et joints des portes	Éponge, chiffon doux ou essuie-tout en papier avec détergent doux et eau tiède	<ul style="list-style-type: none"> • Laver, essuyer et sécher à fond. NE PAS UTILISER de cires nettoyantes, de détergents concentrés, d'eau de Javel ni de nettoyeurs contenant du pétrole, sur des pièces en plastique.
Pièces en plastique (couvercles et panneaux)	Éponge douce et propre ou chiffon doux et propre avec détergent doux et eau tiède	<ul style="list-style-type: none"> • Laver, essuyer et sécher à fond. NE PAS UTILISER d'essuie-tout en papier, de nettoyeurs pour vitres, de produits à récurer ni de solvants inflammables, car ils risquent d'égratigner ou d'endommager le matériel. Voir "Importantes Instructions de Sécurité" à la page 3.
Plateau de dégivrage	Éponge ou chiffon avec détergent doux et eau tiède	<ul style="list-style-type: none"> • Appuyer sur la touche de mise en marche/arrêt (on/off) pour la positionner à la position d'arrêt (OFF). • Retirer la grille de la base. Voir page 16. • Retirer le plateau de dégivrage, que l'on peut atteindre par la petite ouverture sur le côté droit. • Laver, rincer et sécher à fond.

PIÈCE	MATÉRIEL	MÉTHODE DE NETTOYAGE
Plateau de dégivrage (suite)	Éponge ou chiffon avec détergent doux et eau tiède	<ul style="list-style-type: none"> • Réinstaller le plateau de dégivrage. Veiller à bien l'enfoncer complètement dans l'ouverture. • Réinstaller la grille de la base. • Appuyer sur la touche de mise en marche/arrêter (on/off) pour la positionner à la position de mise en marche (ON).
Serpentins du condenseur	Accessoire étroit et long de l'aspirateur	<ul style="list-style-type: none"> • Retirer le panneau de ventilation supérieure (Voir la page 6). • Nettoyer les serpentins lorsqu'ils sont sales ou poussiéreux. Il se peut que les serpentins aient besoin d'être nettoyés tous les deux mois. • Réinstaller le panneau de ventilation supérieure.
Grille de la base	Accessoire brosse de l'aspirateur	<ul style="list-style-type: none"> • Nettoyer la grille de la base.

Précautions à prendre pour les vacances et le déménagement

Vacances de courte durée

Si vous vous absentez pendant moins de quatre semaines, il n'est pas nécessaire d'arrêter le réfrigérateur. Consommer les aliments périssables et congeler les autres. Soulever le levier et mettre hors circuit la machine à glaçons. Fermer l'approvisionnement d'eau de la machine à glaçons et vider le bac à glaçons.

Déménagement

Si le réfrigérateur doit être déménagé, communiquer avec le dépositaire chez qui vous avez acheté le réfrigérateur ou avec le bureau de service d'entretien autorisé KitchenAid de votre région.

Vacances de longue durée

Si vous vous absentez pendant un mois ou plus :

1. Enlever tous les aliments.
2. Fermer l'alimentation en eau à la machine à glaçons un jour au moins avant votre départ.

3. Lorsque le dernier lot de glaçons tombe dans le bac, soulever le levier et mettre hors circuit la machine à glaçons.
4. Mettre le thermostat du congélateur au réglage **Arrêt** (OFF).
5. Mettre l'interrupteur marche/arrêt en position **ARRÊT** (OFF).
6. Nettoyer le réfrigérateur. Bien essuyer et sécher.
7. Fixer des cales en caoutchouc ou en bois en haut des deux portes – pour les laisser suffisamment ouvertes pour permettre le passage de l'air. Ceci empêchera les odeurs et la moisissure de s'accumuler.

Pour remettre le réfrigérateur en marche, appuyer sur l'interrupteur marche/arrêt et le mettre en position **EN MARCHÉ** (ON) et ajuster le thermostat du congélateur au réglage désiré. (Voir "Thermostats" à la page 7.)

Pannes de courant

En cas de panne de courant, téléphoner à la régie d'électricité pour s'enquérir de la durée de la panne.

1. Si le service doit être interrompu durant 24 heures ou moins, **garder fermées les deux portes**. Ceci permettra d'éviter que les aliments dégèlent.
2. Si le service doit être interrompu durant plus de 24 heures :
 - (a) Retirer tous les aliments congelés et les déposer dans un entrepôt frigorifique.

OU

- (b) Placer 900 g de neige carbonique par litre (2 lb par pied cube) d'espace de congélation. Cela permettra de garder les aliments congelés durant deux à quatre jours. Porter des gants pour se protéger les mains contre les morsures de la neige.

OU

- (c) S'il n'y a pas d'entrepôt frigorifique ni de neige carbonique, consommer ou mettre immédiatement en conserve les aliments périssables.
3. Un congélateur plein restera froid plus longtemps qu'un congélateur à moitié rempli. Un congélateur plein de viande restera froid plus longtemps qu'un congélateur rempli de pains et pâtisseries. Si les aliments contiennent des cristaux de glace, ils peuvent être remis à congeler sans danger même si leur qualité et saveur risquent d'être inférieures. Si les aliments semblent de piètre qualité ou douteux, les jeter.

Conservation des aliments

Il existe une façon correcte d'emballer et de conserver des aliments au réfrigérateur et au congélateur. Si vous voulez que vos aliments restent plus frais plus longtemps, prenez le temps d'étudier les suggestions suivantes.

Conservation des aliments frais

Les aliments placés au réfrigérateur doivent être enveloppés ou gardés dans un emballage hermétique et à l'épreuve de l'humidité. Cela empêche l'odeur et le goût des aliments de se répandre dans tout le réfrigérateur. Pour des produits datés, vérifier les dates indiquées pour s'assurer de la fraîcheur des aliments.

Légumes à feuilles

Retirer l'emballage original et éliminer les taches ou zones décolorées. Laver à l'eau froide et égoutter. Placer dans un sac ou un contenant en plastique et ranger dans le bac à légumes.

Légumes à pelure (carottes, poivrons)

Ranger dans le bac à légumes, un sac ou un contenant en plastique.

Fruits

Laver, laisser sécher et mettre au réfrigérateur dans un sac en plastique ou le bac à légumes. Ne pas laver ni équeuter les petits fruits avant le moment de leur utilisation. Les trier et les conserver dans l'emballage du magasin, dans le bac à légumes, ou les conserver sur une clayette du réfrigérateur dans un sac en papier fermé sans être serré.

Oeufs

Ranger sans laver dans le carton original, sur la clayette intérieure. Sur certains modèles, un contenant pour les oeufs est aussi fourni.

Lait

Essuyer le contenant. Pour qu'il se conserve mieux, placer le lait sur la clayette intérieure.

Beurre ou margarine

Garder le beurre entamé dans un beurrier muni d'un couvercle ou dans le compartiment universel. Envelopper les quantités supplémentaires dans un emballage pour congélateur et les faire congeler.

Fromage

Le conserver dans son emballage original jusqu'à l'emploi. Une fois le paquet ouvert, réemballer hermétiquement le fromage dans une pellicule plastique ou du papier d'aluminium.

Restes

Couvrir les restes avec de la pellicule plastique ou du papier d'aluminium. Il est aussi convenable d'utiliser des contenants en plastique à couvercle hermétique.

Viande

La plupart des viandes peuvent être conservées dans leur emballage original tant que cet emballage est hermétique et à l'épreuve de l'humidité. Emballer de nouveau si nécessaire. Voir le tableau suivant pour les périodes de conservation. Si la viande doit être conservée durant une période plus longue, suivre les instructions relatives à la congélation.

Poulet	1 à 2 jours	Bacon	5 à 7 jours
Boeuf haché	1 à 2 jours	Charcuteries	3 à 5 jours
Biftecks/ rôtis	3 à 5 jours	Abats	1 à 2 jours
Viandes salées	7 à 10 jours		

REMARQUE : Les poissons et fruits de mer frais devraient être consommés le jour même de l'achat.

Conservation des aliments congelés

Le compartiment congélateur est conçu pour conserver les aliments surgelés en usine ou pour faire congeler de la nourriture.

REMARQUE : Pour d'autres renseignements au sujet de la préparation des aliments pour la congélation, consulter un guide de congélation ou un livre de cuisine.

Emballage

Le secret de la congélation efficace réside dans l'emballage. Il doit être fermé et scellé de façon à prévenir la pénétration et l'évacuation d'air ou d'humidité. Toute autre méthode d'emballage risque d'entraîner la propagation de saveurs et d'odeurs dans tout le réfrigérateur et l'assèchement des aliments congelés.

Ne pas utiliser :

- Emballages pour pain
- Contenants en plastique autres qu'en polyéthylène
- Contenants non munis d'un couvercle hermétique
- Papier paraffiné
- Emballages pour congélateur enduits de cire
- Emballages minces semi-perméables

Leur emploi risque de donner lieu à des transferts d'odeurs et de saveurs et à l'assèchement des aliments congelés.

Emballage recommandé :

- Contenants en polyéthylène (plastique) rigide munis de couvercles hermétiques
- Bocaux de conserve/congélation à bord droit
- Papier d'aluminium résistant
- Papier recouvert de plastique
- Emballages en plastique étanches (faits à partir d'une pellicule saran)

Suivre les instructions de l'emballage ou du contenant pour les méthodes de congélation correctes.

Congélation

Le congélateur ne congèle pas rapidement de grandes quantités d'aliments. Veiller à ce que la quantité d'aliments ne prenne pas plus de 24 heures à congeler (au plus 900 à 1350 g d'aliments par litre [deux à trois livres par pied cube] d'espace). Laisser suffisamment d'espace pour permettre la circulation d'air entre les aliments. S'assurer aussi de laisser assez d'espace à l'avant pour que la porte ferme hermétiquement.

La période de conservation varie selon la qualité des aliments, le type d'emballage ou de pellicule utilisé (hermétique) et la température de conservation, qui devrait être de -17,8°C (0°F).

Dépannage

Les problèmes de performance sont souvent dus à des petits détails que vous êtes en mesure de détecter et de régler vous-même sans outils d'aucune sorte. Avant de contacter le service de dépannage, veuillez lire ci-dessous la section "Avant de faire un appel de service ..."

Avant de faire un appel de service ...

Le tableau ci-dessous présente une liste des problèmes auxquels les utilisateurs des appareils ménagers sont le plus souvent confrontés. Les solutions suggérées vous permettront peut-être de résoudre votre problème actuel.

PROBLÈME	VÉRIFIER LES POINTS SUIVANTS
Le réfrigérateur ne fonctionne pas	Le cordon d'alimentation est-il branché dans un circuit sous tension de voltage approprié? Un fusible a-t-il sauté ou le disjoncteur s'est-il déclenché? La commande du réfrigérateur est-elle à la position ARRÊT (OFF)?
Les ampoules n'éclairent pas	Un fusible a-t-il sauté ou le disjoncteur s'est-il déclenché? Une ampoule est-elle grillée?
La machine à glaçons ne fonctionne pas	Le congélateur est-il suffisamment froid? Permettre au congélateur d'atteindre la température correcte. Ceci peut prendre une nuit. Le levier de la machine à glaçons est-il en position MARCHE (ON) (en bas)? Voir page 13. La valve d'arrivée d'eau est-elle ouverte? La canalisation d'eau est-elle bouchée ou fuit-elle?
Le réfrigérateur fait des bruits inhabituels	Y a-t-il quelque chose sur ou derrière le réfrigérateur? Certains nouveaux bruits sont normaux. Consulter la section "Les bruits de l'appareil" à la page 19.
Le plateau de dégivrage contient de l'eau	Ceci est normal par temps chaud et humide. S'assurer que le plateau est de niveau de façon à ce qu'il ne déborde pas.
Le moteur semble fonctionner trop souvent	Les serpentins du condenseur sont-ils sales? La porte est-elle ouverte fréquemment? Une grande quantité d'aliments a-t-elle été ajoutée d'un coup? Le moteur fonctionne évidemment plus longtemps dans ces cas. La pièce est-elle chaude? Si la pièce est trop chaude, le moteur tourne plus longtemps pour conserver l'appareil froid.
Les distributeurs ne fonctionnent pas	Consulter la section "Conseils sur le fonctionnement du distributeur" à la page 16.

Demande d'assistance ou de service

Avant de faire un appel pour assistance ou service, veuillez vérifier la section "Diagnostic". Cette action peut vous faire économiser le coût d'un appel de service. Si vous avez encore besoin d'assistance, suivre les instructions ci-dessous.

Si vous avez besoin d'assistance ou de service au Canada :

1. Si le problème n'est pas attribuable à l'une des causes indiquées dans "Diagnostic"[†] ...

Communiquer avec le marchand où vous avez acheté votre appareil électroménager, ou télé-phoner à KitchenAid Canada au Centre d'assistance aux consommateurs, sans frais d'interurbain, entre 8 h 30 et 18 h 00 (HNE), en composant 1-800-461-5681.



2. Si vous avez besoin de service[†] ...

Communiquer avec votre succursale ou établissement de service autorisé de KitchenAid Canada la plus proche pour l'entretien de votre appareil. (Voir liste ci-dessous.)

[†] Lorsque vous demandez de l'assistance ou un service, veuillez fournir une description détaillée du problème, les numéros complets du modèle et de série de l'appareil, et la date d'achat. (Voir la section "Veuillez noter".) Ces renseignements nous aideront à mieux répondre à votre demande.

Service d'appareils ménagers KitchenAid Canada – Service aux consommateurs

Succursales de service direct :

COLOMBIE-BRITANNIQUE		1-800-665-6788
ALBERTA		1-800-661-6291
ONTARIO (à l'exception du code régional 807)	Région d'Ottawa	1-800-267-3456
	En dehors de la région d'Ottawa	1-800-807-6777
MANITOBA, SASKATCHEWAN et code régional 807 en ONTARIO		1-800-665-1683
QUÉBEC	Montréal (à l'exception de la rive sud)	1-800-361-3032
	Rive Sud Montréal	1-800-361-0950
	Québec	1-800-463-1523
	Sherbrooke	1-800-567-6966
PROVINCES DE L'ATLANTIQUE		1-800-565-1598

Pour plus d'assistance

Si vous avez besoin de plus d'assistance, vous pouvez écrire à KitchenAid Canada en soumettant toute question ou préoccupation au :

Service des relations avec la clientèle
KitchenAid Canada
1901 Minnesota Court
Mississauga, Ontario L5N 3A7

Veuillez indiquer dans votre correspondance un numéro de téléphone où l'on peut vous joindre le jour.

KitchenAid*

Garantie du réfrigérateur encastré

DURÉE DE LA GARANTIE :	KITCHENAID PAIERA :	KITCHENAID NE PAIERA PAS :
GARANTIE TOTALE DE DEUX ANS À COMPTER DE LA DATE D'INSTALLATION	Pièces de rechange et main-d'oeuvre pour corriger les défauts de matières ou de fabrication. Les travaux doivent être effectués par un service de réparations autorisé par KitchenAid.	A. Les demandes de service pour : <ol style="list-style-type: none"> 1. Rectifier l'installation du réfrigérateur. 2. Vous montrer comment vous servir du réfrigérateur. 3. Remplacer des fusibles ou rectifier le câblage électrique du domicile. 4. Rectifier la plomberie du domicile. B. Les réparations lorsque le réfrigérateur est utilisé à des fins autres qu'un usage ménager normal. C. Des dommages causés par un accident, des modifications, un mauvais usage, un abus, une installation inappropriée ou une installation non conforme aux règles locales en matière d'électricité ou de plomberie. D. La perte d'aliments due à une panne de l'appareil. E. Tous frais de main-d'oeuvre pendant la garantie limitée. F. Le coût des pièces de rechange et de la main-d'oeuvre pour les appareils utilisés en dehors du Canada ou États-Unis.
GARANTIE TOTALE DE LA TROISIÈME À LA SIXIÈME ANNÉE À COMPTER DE LA DATE D'INSTALLATION	Pièces de rechange et main-d'oeuvre pour corriger les défauts de matières ou de fabrication de la machine à glaçons automatique. Les travaux doivent être effectués par un service de réparations autorisé par KitchenAid. Les pièces de rechange et de main-d'oeuvre pour rectifier les défauts de matières ou de fabrication du système scellé de réfrigération. Ces pièces sont : <ol style="list-style-type: none"> 1. Le compresseur; 2. L'évaporateur; 3. Le condensateur; 4. Le déshydrateur; 5. Les tuyaux de raccordement. Les travaux doivent être effectués par un service de réparations autorisé par KitchenAid.	G. Les réparations des pièces ou systèmes résultant de modifications inappropriées apportées à l'appareil. H. Enlèvement et remise en place de la garniture ou des panneaux décoratifs qui entravent l'entretien du produit.
GARANTIE LIMITÉE DE LA SEPTIÈME À LA DOUZIÈME ANNÉE À COMPTER DE LA DATE D'INSTALLATION	Les pièces de rechange pour rectifier les défauts de matières ou de fabrication du système scellé de réfrigération. Ces pièces sont : <ol style="list-style-type: none"> 1. Le compresseur; 2. L'évaporateur; 3. Le condensateur; 4. Le déshydrateur; 5. Les tuyaux de raccordement. 	

2/96

KITCHENAID ET KITCHENAID CANADA N'ASSUMENT AUCUNE RESPONSABILITÉ POUR LES DOMMAGES FORTUITS OU INDIRECTS. Certains États ou provinces n'excluent ou ne se limitent pas aux dommages fortuits ou indirects; aussi, cette exclusion peut ne pas vous être applicable.

Cette garantie vous donne des droits légaux spécifiques et vous avez peut-être d'autres droits qui varient d'une province à l'autre.

Si vous avez besoin de service, voir d'abord "Dépannage" du présent ouvrage. Après avoir vérifié avec "Dépannage", une aide supplémentaire est disponible voir d'abord "Appel d'aide ou de service" ou, en appelant notre numéro de téléphone du Centre d'Assistance aux consommateurs, **1-800-235-0665**, à partir de n'importe où aux États-Unis ou Canada .