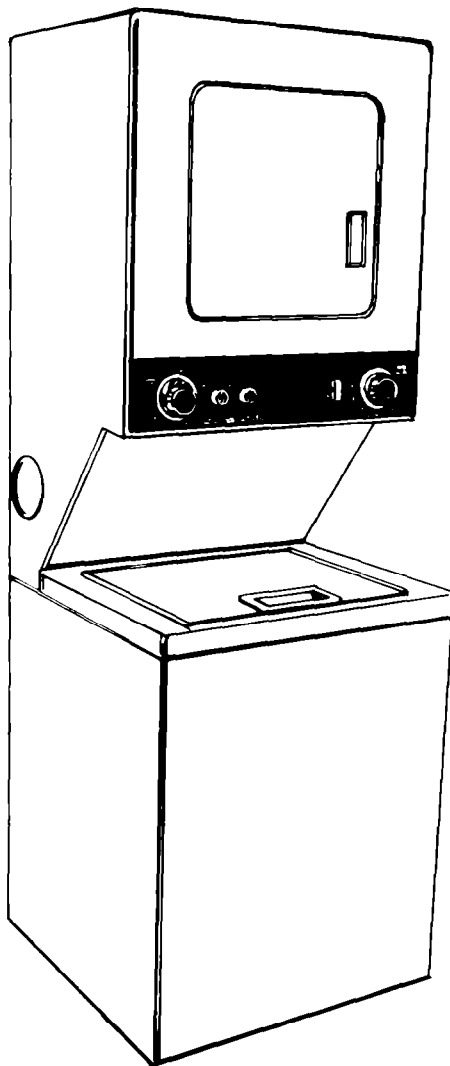


Installation Instructions



**WASHER/DRYER
LAUNDRY SYSTEM
240 VOLT**

Before you start...

Check location where washer/dryer will be installed. Proper installation is your responsibility. Make sure you have everything necessary for correct installation.

Grounded electrical outlet is required. See Electrical requirements.

Dryer may be exhausted from the rear or left or right side. Exhausting through the side requires Kit LCK4600. See Exhaust requirements, Panel B.

Standpipe drain system needs 1½ inch (3.81 centimeters) diameter standpipe with minimum carry-away capacity of 15 gallons (56.78 liters) per minute. Top of standpipe must be at least 28 inches (71.12 centimeters) high and no higher than 48 inches (1.22 meters) from floor.

SEE RECESSED AREA INSTRUCTIONS ON BACK COVER.

Floor drain system requires a siphon break, Part No. 285320, available from an authorized parts distributor.

Check code requirements. Some codes do not permit or limit the installation of clothes dryers in garages, closets, mobile homes and sleeping quarters. Contact your local building inspector.

Protection from weather: do not store or operate washer/dryer below 32°F (0°C). (Some water may remain in washer). Proper operation of dryer cycles requires temperatures above 45°F (7.2°C). See Use and Care Guide for "Winterizing" information.

Hot and cold water faucets must be within 4 feet (1.22 meters) of the back of the washer/dryer and provide water pressure 5-100 PSI.

Water heater: set to deliver 140 F (60°C) water to the washer.

Laundry tub drain system needs a 17 gallon (64.35 liters) laundry tub. Top of tub must be at least 28 inches (71.12 centimeters) high and no higher than 48 inches (1.22 meters) from floor.

If a longer drain hose is needed, drain hose, Part No. 388423, and hose extension kit, Part No. 285442 are available from authorized parts distributors.

Level floor: 1 inch (2.54 centimeters) maximum slope under **entire** washer/dryer.

Support: floor must be sturdy enough to support washer, dryer weight, with water and clothes, of 375 pounds (170.1 kilograms).

Location: must be large enough to fully open dryer door. See back cover for recessed area requirements and product dimensions.

IMPORTANT: OBSERVE ALL GOVERNING CODES AND ORDINANCES.

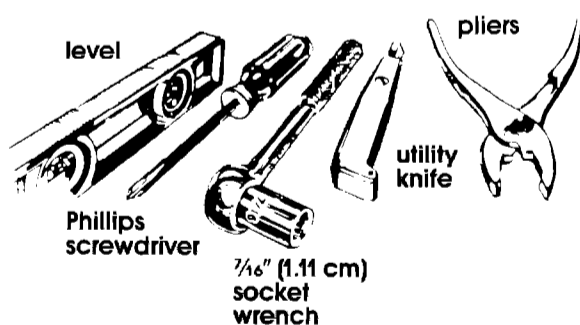
CAUTION:

- It is the customer's personal responsibility to ensure that gasoline, paint, thinners and other flammable materials are not used or stored near the washer/dryer. Fumes from these materials could result in fire or explosion.
- **Never** install washer/dryer up against draperies or curtains. Keep any and all items from falling or collecting behind the washer/dryer.
- Replace all access panels before operating washer/dryer.

FOR YOUR SAFETY:

- Do not exhaust dryer into chimney, furnace cold air duct, attic or crawl space, or any other duct used for venting. Accumulated lint could become a fire hazard or moisture could cause damage.
- The exhaust system should be cleaned at least every 2 years.
- Flexible duct should never be installed concealed in walls, ceiling or floor.

Tools needed for installation



Electrical requirements

WARNING: Improper connection of the equipment grounding conductor can result in a risk of electrical shock.

Electrical ground is required on this appliance.

1. A three-wire, single phase, 120/240 volt, 60 Hz, AC only with a fourth wire as a grounding wire electrical supply (or three-wire 120/208 volt, with a fourth wire as a grounding wire if specified on nameplate) is required. A separate 30 ampere circuit fused on both sides of the line must be used. Time-delay fuse or circuit breaker is recommended. Do not have a fuse in the neutral or grounding circuit.

CSA recognized strain relief to fit one inch (2.54 centimeters) hole.

2. This washer/dryer is equipped with a 30 amp rated, four-wire, flexible type power supply cord (pigtail) and a CSA recognized strain relief. See Figure 1. Where local codes permit, it must be plugged into a mating 30 amp receptacle. (CSA type 14-30R) See Figure 2.

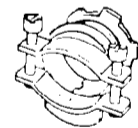


Figure 1
Where local codes permit, it must be plugged into a mating 30 amp receptacle. (CSA type 14-30R) See Figure 2.

(14-30R)
4-wire receptacle
Typical 30 amp receptacle; use where local codes permit flexible type power supply cord (pigtail).

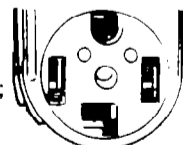


Figure 2

Exhaust requirements

WARNING: Potential Fire Hazard

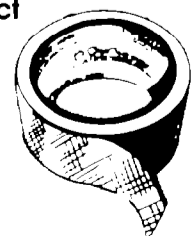
Do not use 3 inch exhaust duct.

• **Metal**, flexible duct may be used. Do Not use non-metallic flexible duct since it is a fire hazard.

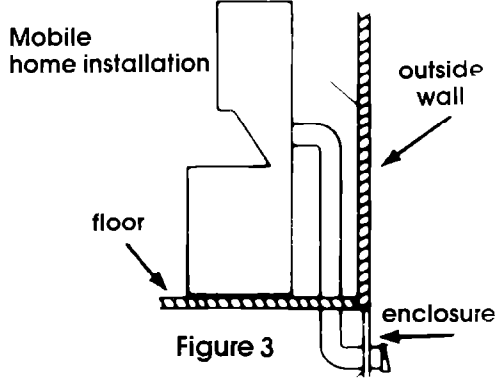
• **Four-Inch (10.16 centimeters) Metal Exhaust Duct** is required.

• This dryer must be exhausted to the outside.

Use duct tape to seal all joints.



Exhausting the dryer through the side of the washer/dryer requires use of Side Exhaust Kit LCK4600. Follow Installation Instructions with the kit for proper exhaust installation.



Mobile Home Exhaust Requirements: The washer/dryer must have an outside exhaust. If the dryer is exhausted through the floor and the area under the mobile home is enclosed, the exhaust system must terminate outside the enclosed area. Extension beyond the enclosure will prevent lint and moisture buildup under the mobile home.

The **Exhaust duct** can be routed up, down, left, right or straight out the back of the dryer. Detailed space requirements can be found in Recessed and Closet Installation Instructions and on the label on the back panel of the dryer.

Metal flexible duct must be fully extended and supported when the dryer is in its final position. **DO NOT KINK OR CRUSH THE DUCT.**

An **Exhaust hood** should cap the exhaust duct to prevent exhausted air from returning into dryer. The outlet of the hood must be at **least 12 inches (30.48 centimeters) from the ground or any object that may be in the path of the exhaust.**

A **2 1/2 inch (6.35 centimeters) outlet exhaust hood** should be used with short systems only. This outlet creates greater backward pressure than other hood types.

Exhaust hoods with magnetic latches should **not** be used.

Maximum length of the exhaust system depends upon the type of duct used, number of elbows and the type of exhaust hood. The maximum length for both rigid and flexible duct is shown in chart.

EXHAUST HOOD TYPE				MAXIMUM LENGTH OF 4" DIA. RIGID METAL DUCT
NUMBER OF 90° TURNS	4	4	2"	
0	43 FT	41 FT	36 FT	
1	33 FT	31 FT	26 FT	
2	23 FT	21 FT	16 FT	
EXHAUST HOOD TYPE				MAXIMUM LENGTH OF 4" DIA. FLEXIBLE METAL DUCT
NUMBER OF 90° TURNS	4	4	2"	
0	30 FT	29 FT	24 FT	
1	24 FT	23 FT	18 FT	
2	16 FT	15 FT	10 FT	

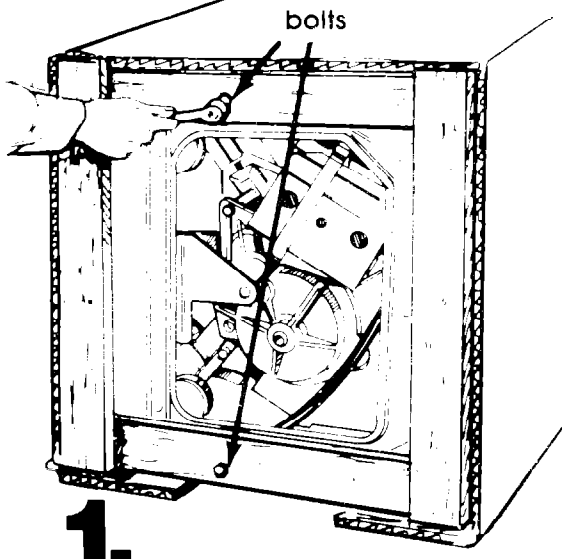
EXHAUST HOOD TYPE				MAXIMUM LENGTH OF 10cm DIA. RIGID METAL DUCT
NUMBER OF 90° TURNS	4	4	2"	
0	13.1m	12.5m	10.97m	
1	10.1m	9.45m	7.32m	
2	7.61m	6.4m	4.88m	
EXHAUST HOOD TYPE				MAXIMUM LENGTH OF 10cm DIA. FLEXIBLE METAL DUCT
NUMBER OF 90° TURNS	4	4	2"	
0	9.14m	8.84m	7.32m	
1	7.52m	7.0m	5.48m	
2	4.87m	4.57m	3.05m	

WARNING: Potential Fire Hazard
Exhaust Systems longer than specified will:

- Accumulate lint.
- Shorten the life of the dryer.
- Reduce performance – cause longer drying times and increase energy usage.

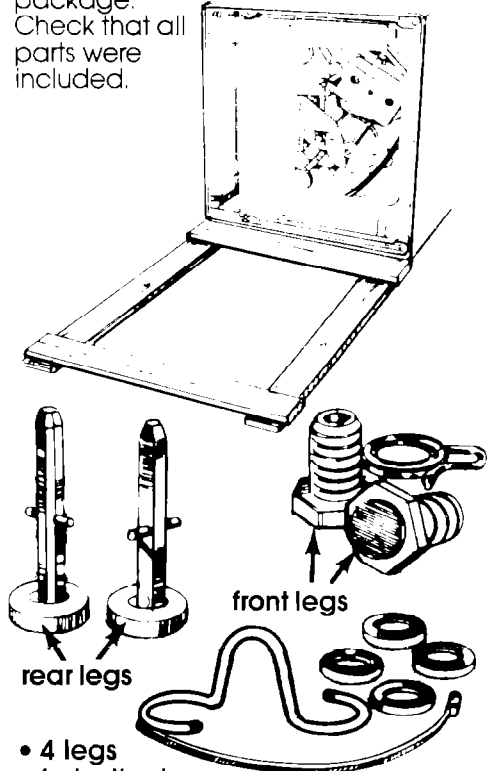
The back pressure in any exhaust system used must not exceed 0.3 inches (0.76 centimeters) of water column measured with an incline manometer at the point that the exhaust duct connects the dryer.

Now start...

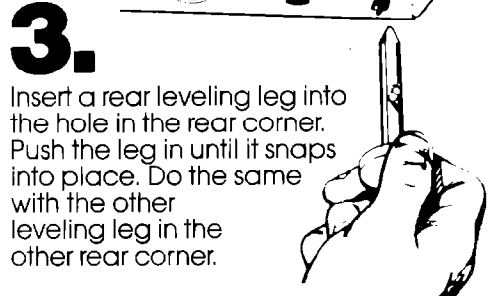


1. Use a 7/16 inch (1.11 centimeters) socket wrench to remove two bolts holding the wood pallet to the bottom of the washer/dryer.

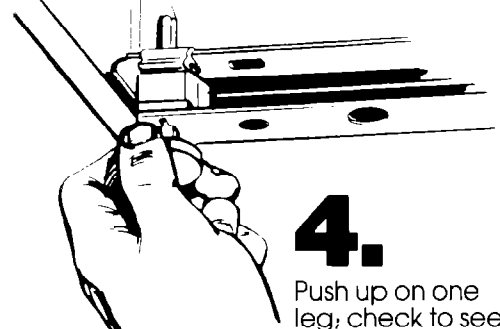
2. Remove pallet. Remove parts from plastic package. Check that all parts were included.



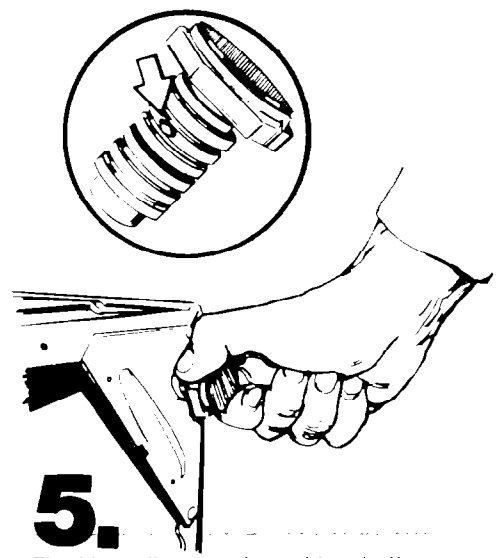
- 4 legs
- 1 plastic strap
- 1 hose clamp
- 1 wire form
- 4 flat water hose washers



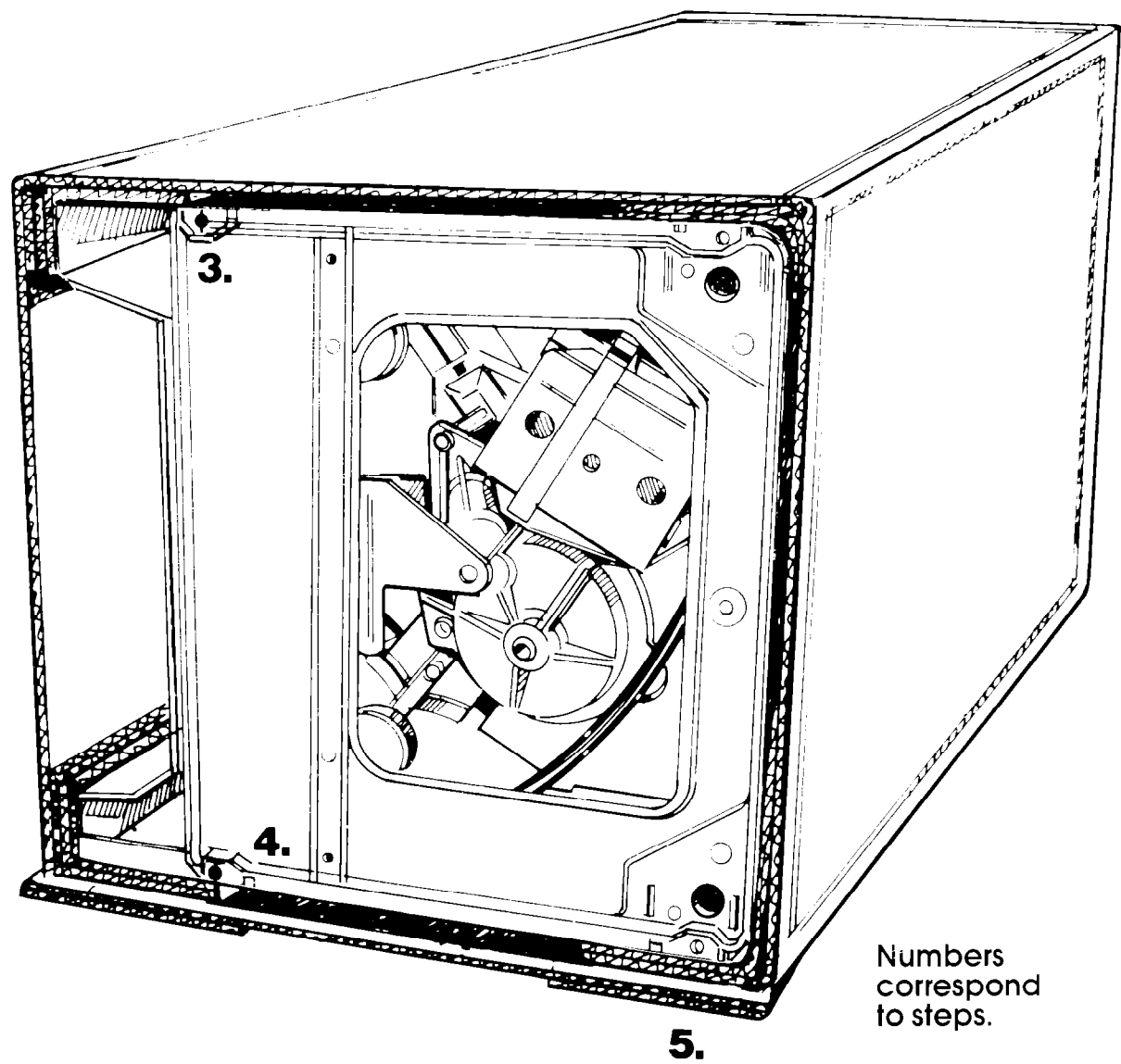
3. Insert a rear leveling leg into the hole in the rear corner. Push the leg in until it snaps into place. Do the same with the other leveling leg in the other rear corner.



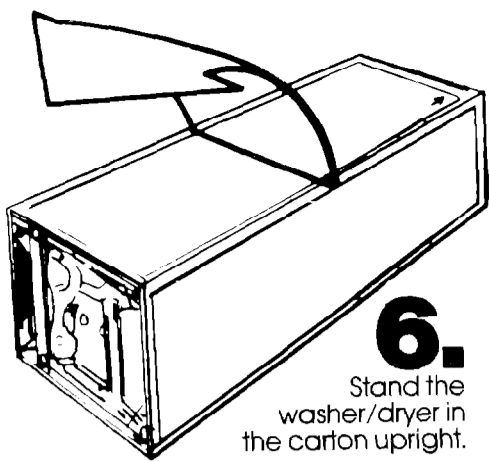
4. Push up on one leg; check to see if the other leg goes down. Check the other leg in the same way. (If the legs don't adjust, go through Step 3 again.)



5. Find the diamond marking in the ridges of the front legs. Start to screw the front legs into the hole in the triangular brace at the front corner of the machine. A little liquid detergent to lubricate the threads will help. Use pliers to turn the leg all the way to the diamond.



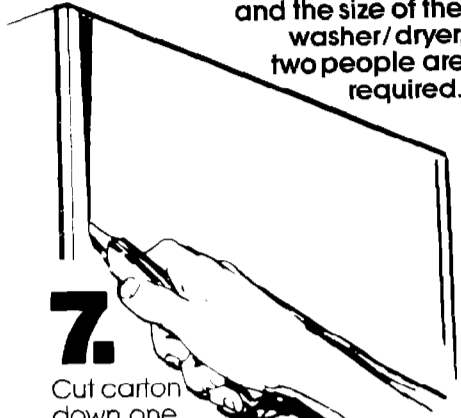
Numbers correspond to steps.



6.

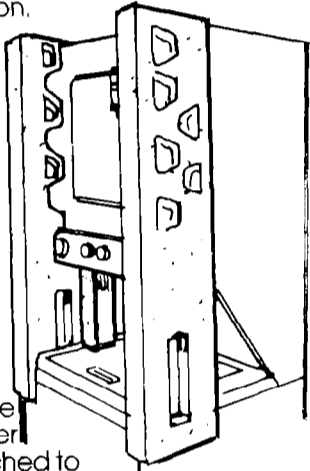
Stand the washer/dryer in the carton upright.

Because of the weight, approx. 276 lbs. (125.19 kilograms), and the size of the washer/dryer, two people are required.



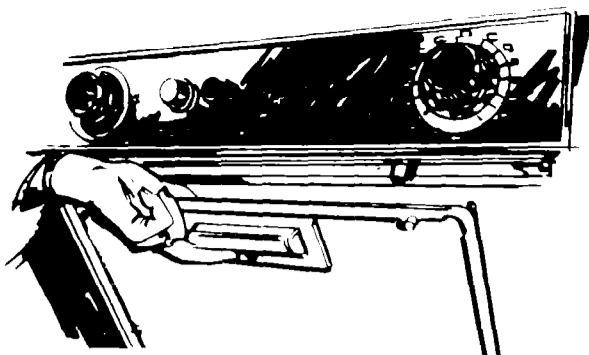
7.

Cut carton down one corner. To prevent damaging the product, do not remove corner post before cutting. Remove carton.



8.

Remove the 2 rear corner posts and cardboard pieces attached to the back of the washer/dryer. Remove the two corner pieces attached to lower front of the washer/dryer. Do not remove the foam shipping pieces between the washer and dryer until the unit is in place.



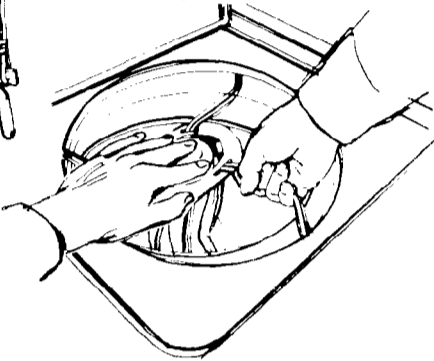
9.

Move foam shipping pieces outward just enough to clear the washer lid. Open washer lid. Latch under the dryer will hold lid open.



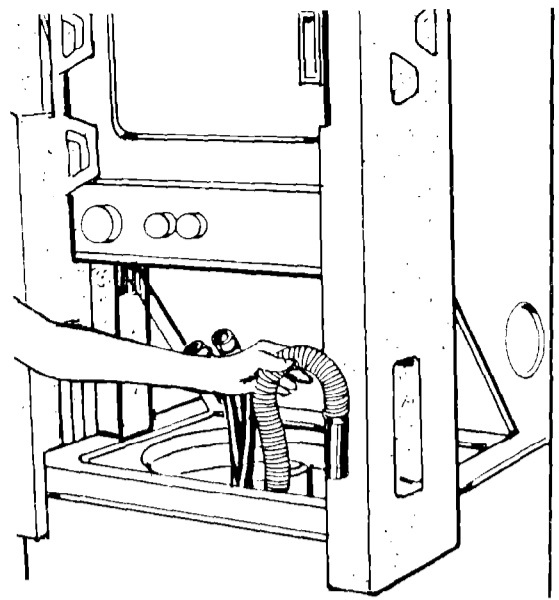
Shipping strap with key

Read yellow card



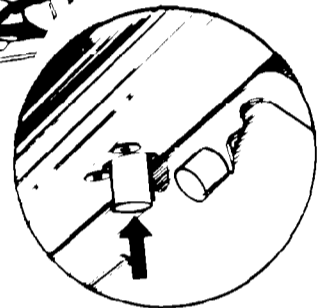
10.

Read yellow card. Place hand on the top of the agitator when removing the shipping straps. Firmly jerk, then pull the three (3) shipping straps up until strap with key is completely removed from washer. Put straps in the same area as rear corner shipping pieces.



11.

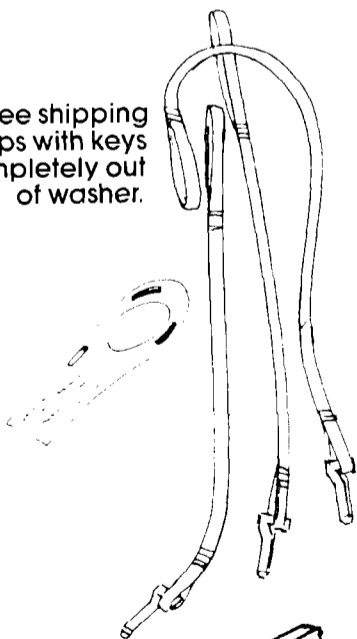
Remove the yellow card. Take hoses out of basket. Place hoses with other parts.



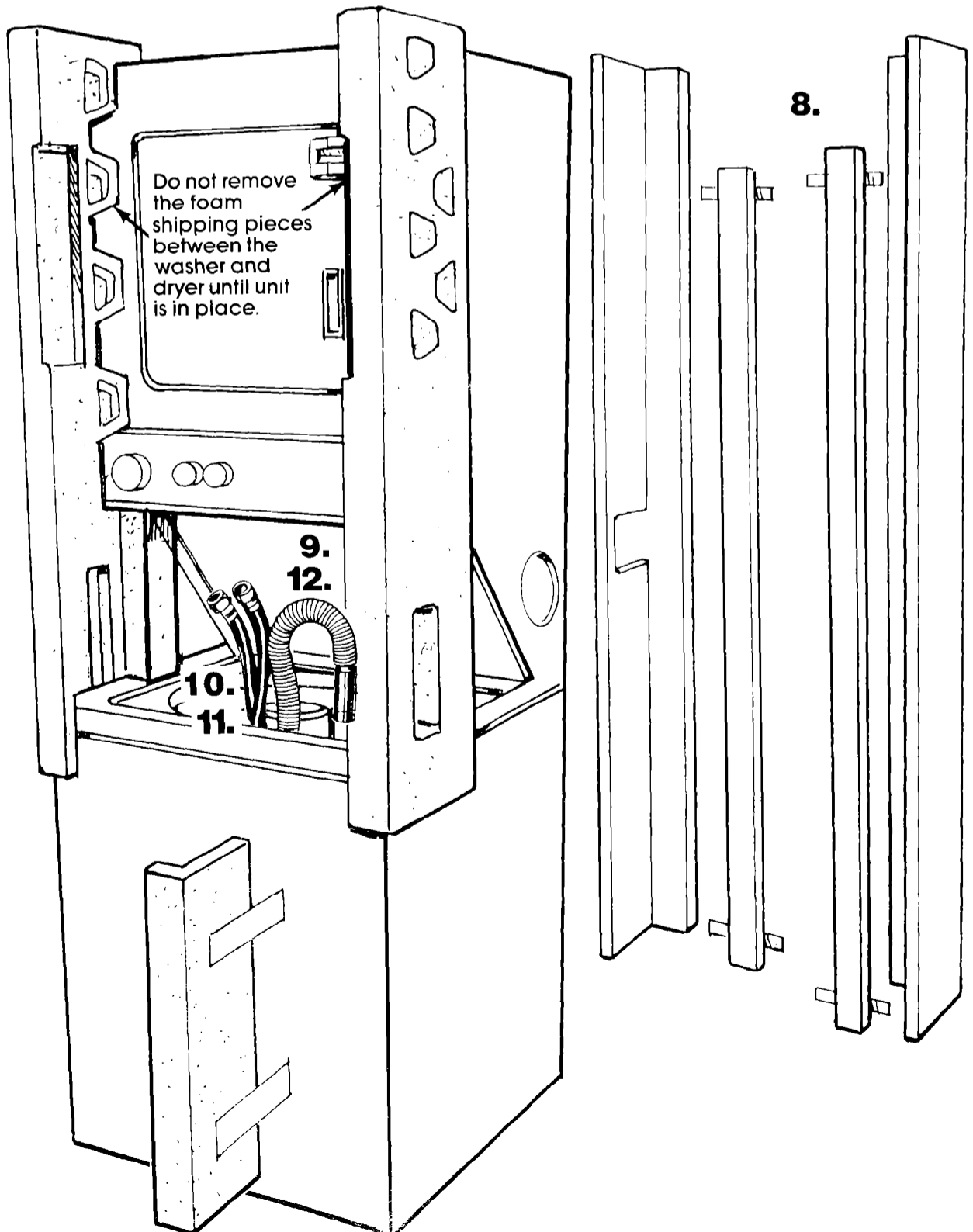
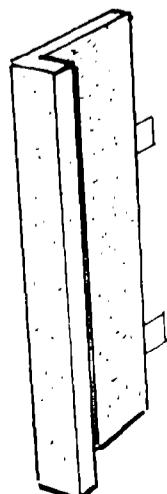
12.

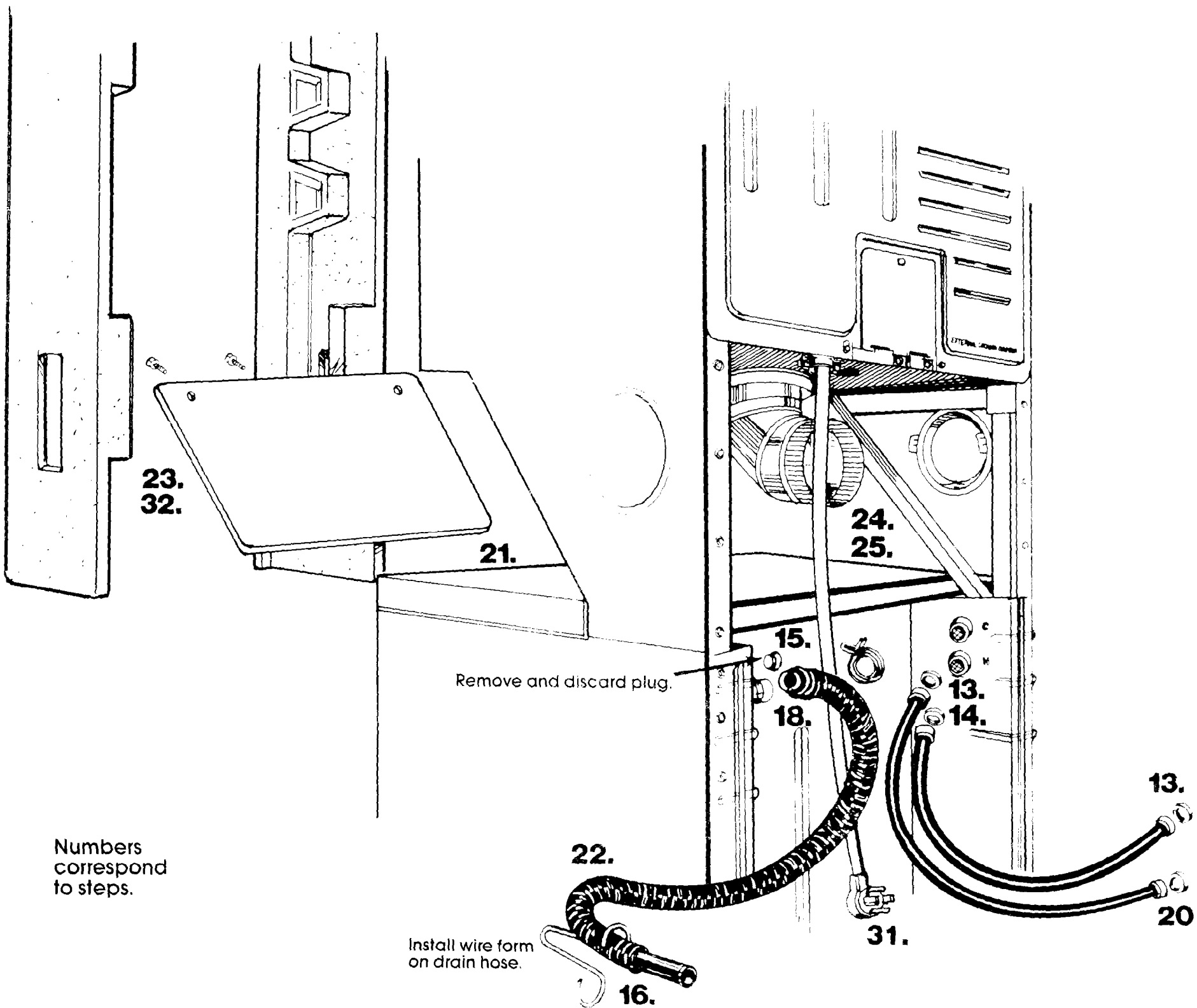
Release washer lid by pushing up on latch. Close lid.

Pull three shipping straps with keys completely out of washer.



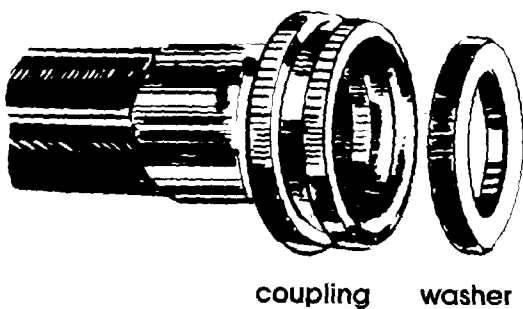
Numbers correspond to steps.



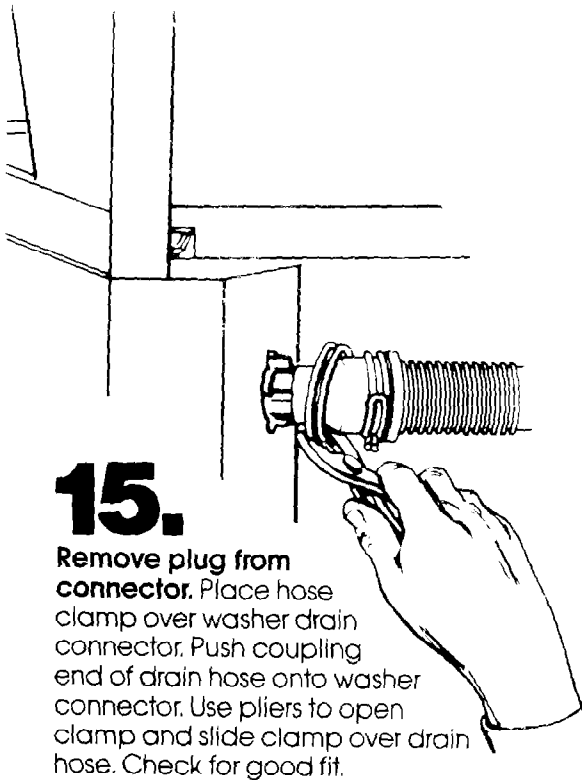


Numbers correspond to steps.

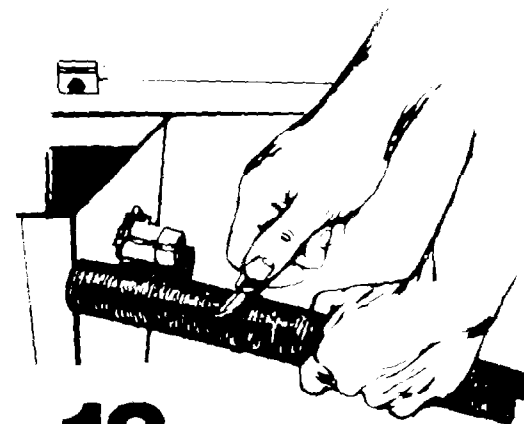
Use new hoses and washers that came with your washer/dryer.



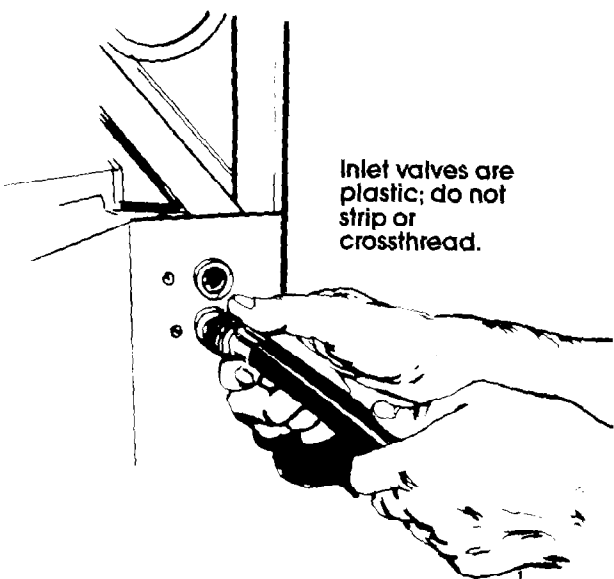
13. Insert a flat washer into **each** end of the inlet hoses. Check that washers are firmly seated in couplings.



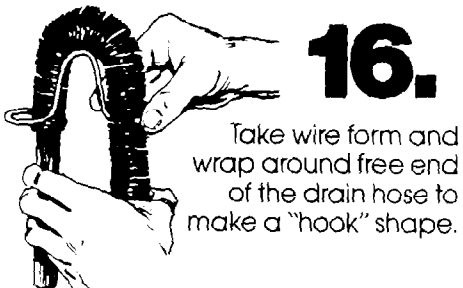
15. Remove plug from connector. Place hose clamp over washer drain connector. Push coupling end of drain hose onto washer connector. Use pliers to open clamp and slide clamp over drain hose. Check for good fit.



18. If drain hose is too long - disconnect. Remove clamp and coupling. Estimate length of drain hose needed. Cut flexible end of hose. (**Do not cut hook-shaped end of drain hose.**) Push and twist coupling securely onto drain hose. (You should feel top of drain hose through coupling.) Slide clamp over coupling and hose. Reinstall drain hose. See Step 15.



14. Attach hose to bottom inlet valve opening first. Then second hose to top inlet valve. Tighten couplings by hand, then use pliers to make an additional two-thirds turn.



16. Take wire form and wrap around free end of the drain hose to make a "hook" shape.

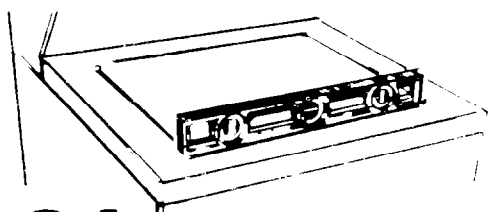
17. Move washer/dryer close to final position. Put "hook" end of drain hose into laundry tub or standpipe. Check for proper length of drain hose.



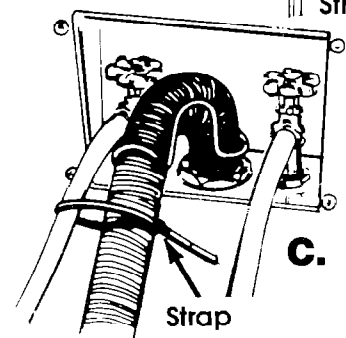
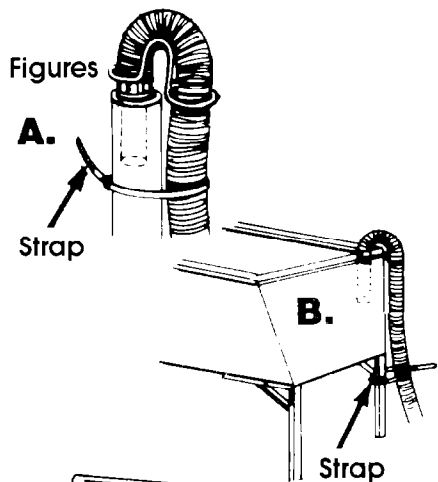
19. Before attaching water inlet hoses, run water through both faucets to get rid of particles in water lines that might clog hoses.

20. Attach bottom hose (inlet marked "H") to hot water faucet. Attach top hose (inlet marked "C") to cold water faucet. Tighten the coupling to the faucet by hand; then use pliers to make final two-thirds turn.

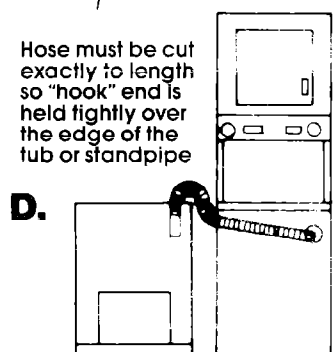
Move washer/dryer to its permanent location.



21. Check levelness of the washer/dryer by placing a carpenter's level on top of the washer, first side to side, then front to back. If it is not level, screw the front legs up or down to adjust. Tilt washer/dryer forward, raising back legs 1 inch (2.54 centimeters) off of floor to adjust rear self-leveling legs. Gently lower the washer/dryer to the floor. Make final check with level.



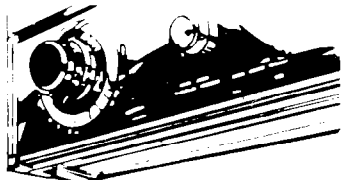
Hose must be cut exactly to length so "hook" end is held tightly over the edge of the tub or standpipe



Note: If washer is moved to adjust drain hose, the washer must be leveled again. Repeat steps 15-17.

22. Secure drain hose to tub or standpipe by wrapping the plastic strap around the hose as shown in Figures A-C. If drain hose cannot be strapped in place, it must be cut exactly to length so the "hook" end is held tightly over the edge of the tub or standpipe as shown in Figure D.

CHECK THAT HOSE IS NOT TWISTED OR KINKED AND IS SECURELY IN PLACE.



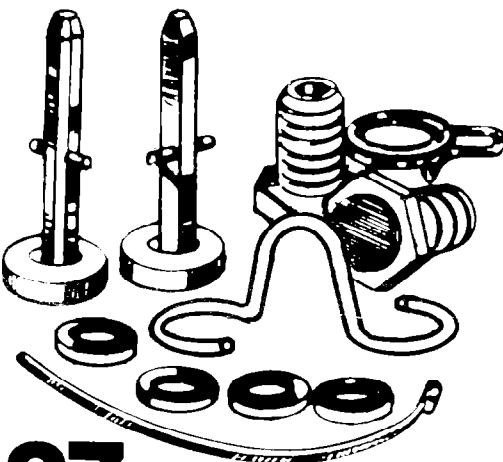
23. Remove the two foam shipping pieces between washer and dryer and place with other shipping pieces. If the exhaust ductwork cannot be connected from the side of the washer/dryer, the exhaust duct can be reached from the front, through the access panel. Remove the access panel by unscrewing 2 Phillips head screws located at the top of the panel. Set panel and screws aside.

24. To exhaust the dryer straight from back of the washer/dryer unit, determine if any additional exhaust duct is needed. (See Exhaust requirements, Panel A). To exhaust the dryer either side or inside, check if additional exhaust duct is needed and see Mobile Home Exhaust Requirements, Panel B. Connect exhaust duct to exhaust hood.

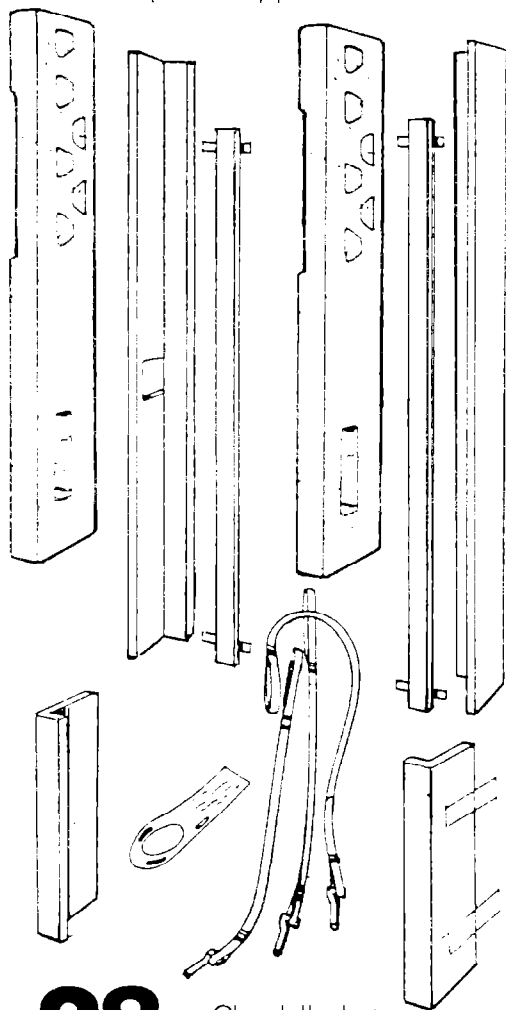


25. Use duct tape to seal all joints.

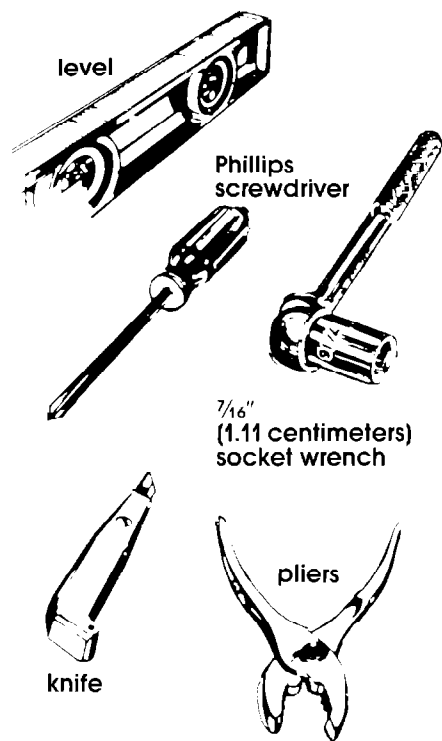
26. CHECK ELECTRICAL REQUIREMENTS. BE SURE YOU HAVE CORRECT ELECTRICAL SUPPLY AND RECOMMENDED GROUNDING METHOD. Check the Installation Instructions to see that you have completed each step. Complete any missed steps before you continue.



27. Check that all parts are now installed. See parts list, Panel B. If there is an extra part, go back through steps to see which step was skipped.



28. Check that you removed all the shipping pieces including the three shipping straps with keys. If you do not remove the shipping straps, your washer/dryer may "walk" away from its location.



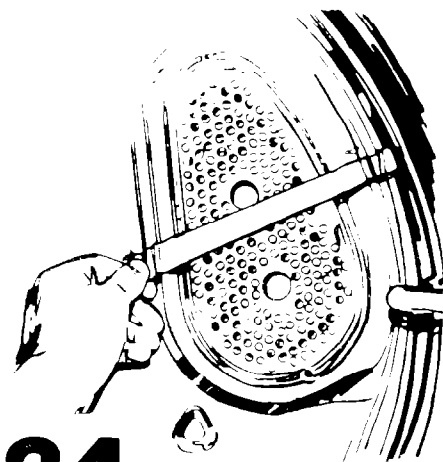
29. Check that you have all of your tools.

30. Turn on water faucets and check for leaks. Tighten couplings if there is leaking.

31. Plug electrical cord into grounded outlet.

32. If access panel was removed to install ductwork, replace access panel. Be sure to tighten both screws.

33. Take a few minutes to read the Use and Care Guide to fully understand your new washer/dryer. Now start the washer and allow it to complete the regular cycle.



34. Remove tape from door and open door. Remove the tape across the dryer lint screen. Check to be sure lint screen is in its proper position. Wipe out drum. Start dryer and allow it to complete a cycle to make sure the dryer is working properly.

35. Finally, save all literature and keep with the washer/dryer. Save all shipping materials for reshipping.

You have successfully installed your new washer/dryer. To get the most efficient use from your new washer/dryer, read your Use and Care Guide.

Congratulations!

Keep Installation Instructions nearby where you can refer to them. They'll make reinstalling your washer/dryer in another home as easy as the first installation.

Recessed area instructions

This washer/dryer may be installed in a recessed area or closet.

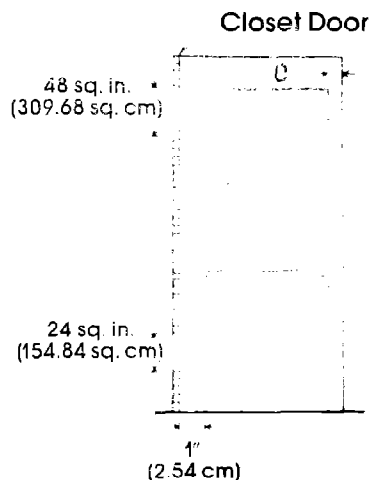
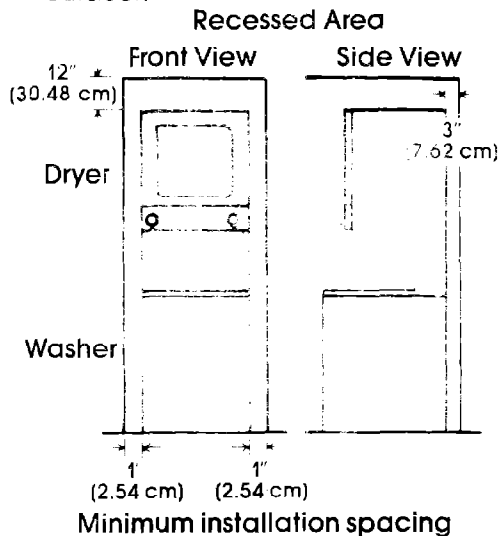
The installation spacing is in inches (centimeters) and is minimum allowable. Additional spacing should be considered for ease of installation and servicing.

If closet door is installed, the minimum air openings in top and bottom are required. Louvered doors with equivalent air openings are acceptable.

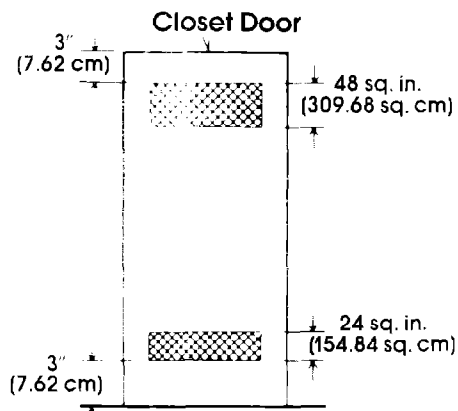
Warning: for closet installation, to reduce the risk of fire this appliance MUST BE EXHAUSTED OUTDOORS.

Other installations must use the minimum dimensions indicated.

To prevent large amounts of lint and moisture from accumulating and to maintain drying efficiency, this appliance must be exhausted outdoors.



Side View



Front View

Installation must be exhausted.

Product dimensions

