



# Jetted Sink

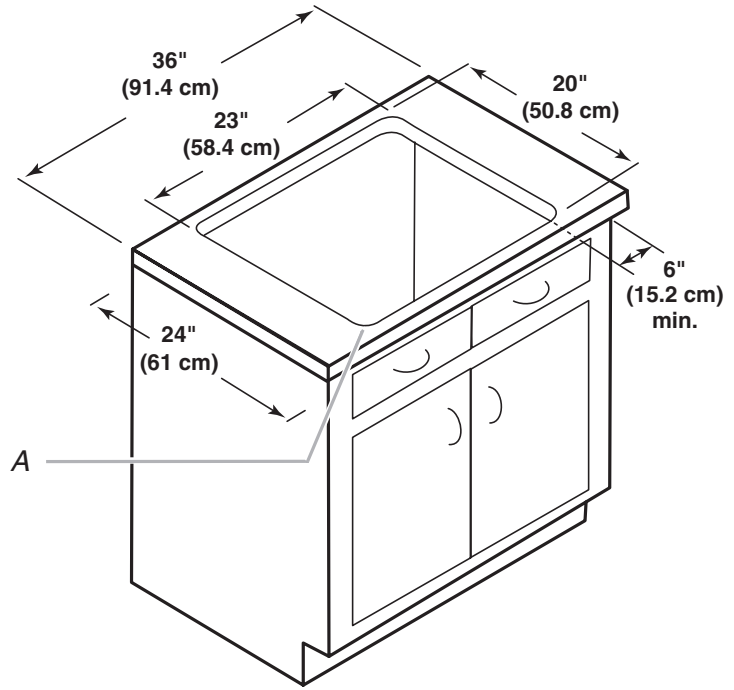
## PRODUCT MODEL NUMBERS

LJD1306L

**Electrical:** A 15 amp, grounded 3 prong, GFCI-protected electrical outlet is required. A circuit breaker is recommended.

**Water:** Access to hot and cold water supply and drain is needed. A water heater set to deliver a maximum of 120°F (49°C) water to the jetted sink.

## COUNTERTOP CUTOUT DIMENSIONS



A. Radius corners—1" (2.5 cm)

**NOTE:** The countertop on the right-hand side of the cabinet must extend at least 6" (15.2 cm) from the right side of the opening to the inside cabinet wall. This location will accommodate the pump/motor, which must be enclosed.