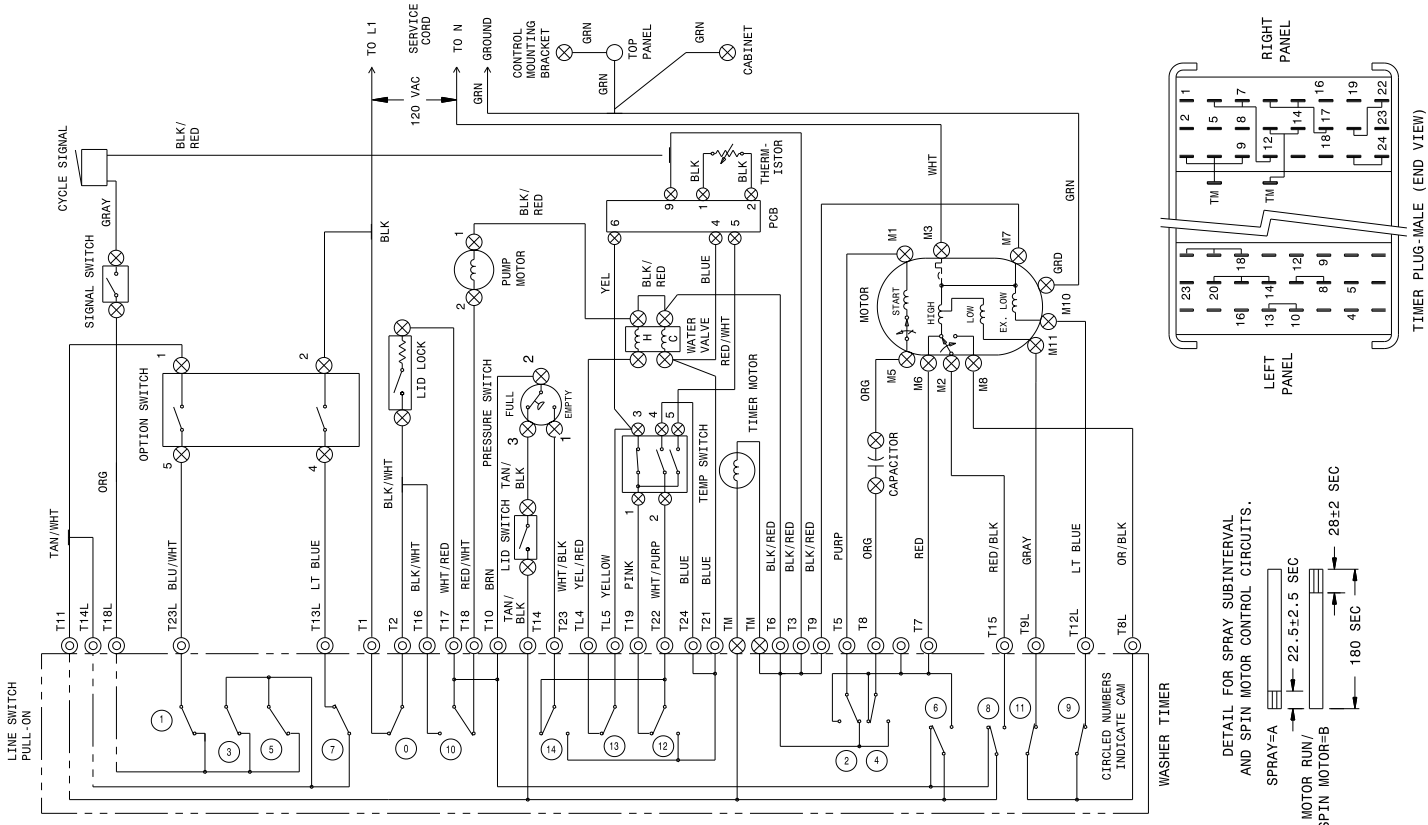
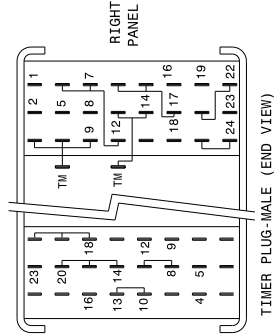
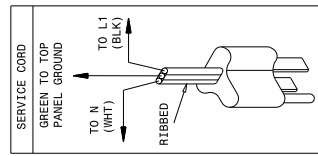


**CAUTION: DISCONNECT ELECTRIC  
CURRENT BEFORE SERVICING**



**WIRING CODES**

- ⊙ PLUG IN TIMER TERMINAL
- ⊗ QUICK DISCONNECT TERMINAL
- SCREW TERMINAL CONNECTION
- ⊕ NO CONNECTION
- ⊖ MOTOR SWITCH
- ⊞ SPLICE
- ⊟ MOTOR PROTECTOR
- ⊠ CHASSIS (CABINET) GROUND



**OPTION SWITCH**

POSITION	1-5	2-4
1	EXTRA RINSE	X
2	OFF	X

X=CONTACTS CLOSED

**TEMPERATURE SWITCH**

POSITION	WASH/RINSE	1-3	1-5	2-4
1	REG HOT/COLD	X	X	X
2	WARM/COLD	X	X	X
3	COLD/COLD	X	X	X

X=CONTACTS CLOSED

TERM.	CIRCUIT	LINE SWITCH	REG/EOC SIGNAL	SPIN DIR	SPIN DIR	AGITATE DIR	SOAK/EOC SIGNAL	AGITATE DIR	SOAK/EOC DIR	ADV SOAK WASH	EA/PP/DEL EOC SIG	P.S. BYPASS	LOW/EX. LOW MOTOR	EX. LOW MOTOR PATH	LID SW BYPASS	PUMP	LOW MOTOR PATH	WASH FILL	RINSE FILL	WATER TEMP	WATER TEMP	SIS SPRAY
360°																						
319.5°																						
295°																						
286°																						
264.5°																						
254°																						
246.5°																						
231.5°																						
218.5°																						
197°																						
179.5°																						
164.5°																						
142°																						
120°																						
95.5°																						
79°																						
50°																						
42.5°																						
27.5°																						
0°																						

**CAUTION: DISCONNECT ELECTRIC  
CURRENT BEFORE SERVICING**