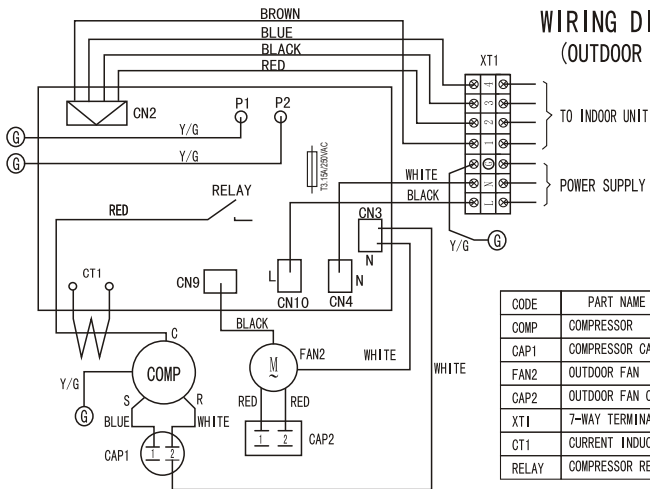


100

70

WIRING DIAGRAM (OUTDOOR UNIT)



CODE	PART NAME
COMP	COMPRESSOR
CAP1	COMPRESSOR CAPACITOR
FAN2	OUTDOOR FAN
CAP2	OUTDOOR FAN CAPACITOR
XT1	7-WAY TERMINAL
CT1	CURRENT INDUCTOR
RELAY	COMPRESSOR RELAY